

2004 JEEP GRAND CHEROKEE (WJ)

PARTS CATALOG

ILLUSTRATION AND TEXT
(CHASSIS - BODY - TRIM)

January 2004

SUPERSEDES
October 2003
ENGLISH



Jeep

CHRYSLER • PLYMOUTH • DODGE • JEEP

THE MOPAR DIFFERENCE

INDEX TO INFORMATION PAGES

The use of this Parts Catalog and the arrangement of information herein is explained in the General Information Section as indexed below.

Abbreviations	INF-13
Alphabetic Index	INF-10
Body Code Plate Interpretation	INF-12
Catalog Groups - Titles & Contents	INF-2
How to Use This Catalog and Locate Parts	INF-8
Illustration Index	INF-10
Illustration Numbering Index	INF-9
Index.....	INF-1
Logical Illustration Index.....	INF-3
Logical Illustrations	INF-9
Numerical Index	INF-10
Page Numbering.....	INF-9
Part Packages	INF-10
Standard Parts.....	INF-10
Symbols Used in this Catalog.....	INF-9
VIN Plate Decoding Information	INF-11

CATALOG GROUPS - TITLES & CONTENT

Group	Content
001	Component Parts for Mopar Accessories
002	Front Suspension & Drive
003	Rear Axle
004	Parking Brake
005	Service Brakes
007	Cooling
008	Electrical
009	Engine Mounting
011	Exhaust
013	Frames and Bumpers
014	Fuel
016	Propeller Shafts and U-Joints
017	Rear Suspension
019	Steering
022	Wheels, Covers and Jacks
024	Air Conditioning & Heater
025	Emission Systems
08A	Instrument Panel and Radios and Consoles
147	Transfer Case Model 147
23D	Wiper/Lock Cylinder and Keys
242	Transfer Case Model 242
247	Transfer Case Model 247
4.0L	Engine 4.0L Six Cylinder
4.7L	Engine 4.7L Eight Cylinder
42RE	Automatic Transmission 4 Speed
45RFE	Automatic Transmission Multi-Speed
DWJ	Doors and Related Parts
EWJ	Exterior Ornamentation
IWJ	Interior Trim
LBLS	Labels All Vehicle Locations
SWJ	Body Sheet Metal Except Doors

LOGICAL ILLUSTRATION INDEX

Group	Logical Illustration	Logical Illustration Name
001	100	Audio & Electronics
001	200	Carriers & Cargo Hauling
001	300	Driving Convenience
001	500	Exterior Protection
001	600	Fog Lights & Electrical
001	800	Interior Storage
001	900	Security
002	100	Front Suspension
002	200	Front Axle Drive Shafts
002	300	Front Axle Housing
002	400	Front Axle Assembly
002	600	Front Axle Differential
002	800	Front Axle Skid Plate
003	100	Rear Axle
003	200	Differential and Housing
003	300	Rear Axle Vent
004	100	Parking Brake Lever and Cables
005	100	Front Brakes
005	200	Rear Brakes
005	300	Power Brake Booster
005	400	Brake Master Cylinder
005	500	Brake Lines and Hoses
005	600	Brake Pedals
007	100	Radiator and Related Parts
007	200	Water Pump and Related Parts
007	300	Tank, Coolant Engine
007	400	Pulleys and Related Parts
007	500	Drive Belts
007	600	Lines, Transmission Oil Cooler
007	700	Grilles
008	100	Starters
008	1000	Battery Tray and Cables
008	1100	Lamps - Front, Rear and Courtesy

008	1200	Wiring-Engine & Related Parts
008	1300	Wiring-Headlamp to Dash
008	1400	Wiring-Instrument Panel
008	1500	Wiring-Body & Accessories
008	1600	Wiring Repair
008	1700	Air Bag Systems
008	1900	Spark Plugs-Cables-Coils
008	200	Alternators
008	400	Modules
008	500	Relays
008	600	Sensors
008	700	Single Board Engine Controllers
008	800	Switches
008	900	Horns
009	100	Engine Mounting
011	100	Exhaust System
011	200	Heat Shields
013	200	Front Bumper and Fascia
013	300	Rear Bumper and Fascia
013	600	Trailer Tow
014	100	Tank, Fuel
014	1000	Speed Control
014	1100	Accelerator Pedal
014	200	Fuel Tank Filler Tube
014	300	Fuel Lines
014	400	Fuel Rail
014	500	Fuel Pump and Sending Unit
014	600	Throttle Body
014	700	Throttle Controls
014	800	Air Cleaner
014	900	Air Intake System
016	100	Propeller Shaft
017	100	Rear Suspension
017	200	Rear Stabilizer
019	100	Steering Wheel
019	200	Steering Column

019	300	Steering Gear
019	400	Steering Linkage
019	500	Power Steering Pump
019	700	Power Steering Hoses
022	100	Wheels and Hardware
022	200	Wheel Covers and Center Caps
022	300	Jack Stowage
022	400	Spare Tire Stowage
024	100	Air Conditioner and Heater Units
024	200	Air Conditioner and Heater Plumbing
024	300	Air Conditioner and Heater Controls
024	400	Air Conditioning Compressor
024	500	Air Conditioning Compressor Mounting
024	600	Air Ducts and Outlets
025	300	Vacuum Canister
025	400	Emission Harness
08A	100	Instrument Panel
08A	200	Instrument Panel Cluster
08A	300	Radio, Antenna, and Speakers
08A	400	Consoles
147	100	Transfer Case Assembly
147	1200	Gearshift Controls
147	200	Case and Related Parts
147	400	Gear Train
23D	100	Lock Cylinders and Keys
23D	200	Windshield Wiper and Washer Systems
23D	300	Rear Wiper and Washer System
242	100	Transfer Case Assembly
242	1200	Gearshift Controls
242	200	Case and Related Parts
242	400	Gear Train
242	900	Fork and Rails
247	100	Transfer Case Assembly
247	1200	Gearshift Controls
247	200	Case and Related Parts
247	400	Gear Train

247	900	Fork and Rails
4.0L	200	Cylinder Head
4.0L	300	Cylinder Block
4.0L	400	Crankshaft, Piston and Torque Converter
4.0L	500	Camshafts & Valves
4.0L	600	Timing Belt and Cover
4.0L	700	Engine Oiling
4.0L	800	Manifolds
4.0L	900	Crankcase Ventilation
4.7L	200	Cylinder Head
4.7L	300	Cylinder Block
4.7L	400	Crankshaft, Pistons and Torque Converter
4.7L	500	Camshafts and Valves
4.7L	600	Timing Belt and Cover
4.7L	700	Engine Oiling
4.7L	800	Manifolds
4.7L	900	Crankcase Ventilation
42RE	100	Transmission Assembly
42RE	1000	Overdrive Gear Train
42RE	1200	Gearshift Controls
42RE	200	Case and Extension
42RE	300	Oil Pump
42RE	400	Gear Train
42RE	500	Bands, Reverse and Kickdown
42RE	700	Valve Body
45RFE	100	Transmission Assembly
45RFE	1200	Gearshift Controls
45RFE	1300	Seal and Shim Packages
45RFE	200	Case and Extension
45RFE	300	Oil Pump
45RFE	400	Gear Train
45RFE	700	Valve Body
DWJ	100	Front Door
DWJ	200	Rear Door
DWJ	500	Exterior Mirror
DWJ	600	Weatherstrips and Seals

EWJ	100	Nameplates
EWJ	200	Moldings and Ornamentation
IWJ	100	Headliner and Visor
IWJ	1000	Lift Gate Trim
IWJ	200	Panel - Mouldings, Scuff Plates
IWJ	300	Carpet
IWJ	400	Door Trim Panels
IWJ	500	Front Seats and Attaching Parts
IWJ	600	Rear Seats and Attaching Parts
IWJ	700	Seat Belts - Front and Rear
IWJ	800	Adjusters, Covers, Shields and Risers
LBLS	100	Interior
LBLS	200	Under Hood
LBLS	300	Doors
LBLS	400	Exterior
LBLS	500	Rear Cargo & Storage
SWJ	1100	Roof Panels
SWJ	1200	Sunroof
SWJ	1300	Liftgate Panel
SWJ	1600	Luggage Rack
SWJ	200	Floor Pans
SWJ	300	Plugs
SWJ	400	Front Fenders
SWJ	500	Hood and Hood Release
SWJ	600	Cowl and Dash Panel
SWJ	700	Glass and Rear View Mirror
SWJ	800	Aperture Panel
SWJ	900	Quarter Panel and Pillars

HOW TO USE THIS CATALOG AND LOCATE PARTS

This Catalog is divided into Part Groups in which illustrations for parts of a similar function and/or location are published. The Group contents listing on the next page shows the type of parts contained in each group. Tabs are provided or available to separate each group.

Several methods may be used to locate a specific part:

Option 1: From the Group Contents listing. Select the group which would most logically contain the part to be found. Open the catalog to the beginning of that group. The first page of the group will contain the part. Turn to the selected illustration and locate the part by reviewing the illustration item numbers and associated text information following the illustration.

Option 2: If the "noun" name of the part you seek is known, an alphabetical index of Nouns and illustration titles is provided to assist in finding the part. Several keys may be found in this index.

RESERVOIR, Power Steering Oil Pump Group 19	Group Reference
ALTERNATOR All Engines 8-210	Illustration Reference
BELT, Front Seat Imdl/710/3	Illustration/Item Reference

Group by Model _____	}
Illustration Number _____	
Item _____	

Option 3: If the part number is known but the applications need to be determined, refer to the numerical index. This index shows the group, illustration number and each part listed in the catalog. Multiple references mean the part is listed more than once.

Option 4: Other options such as group identifiers exist in these catalogs. For Example, Group 23 Body has been broken in sections, i.e. 23A Sheet Metal now is S(model code). Example: SGS for model GS. Group 23C Doors now is D(model code) ex. DGS. Group 23 Exterior Ornamentation now is E(model code). This same logic applies to the Interior Trim Section (ex. IGS).

The Group 9 Engine sections in prior parts catalogs had been numbered 9A, 9B, 9C, etc. There was no real meaning to this numbering scheme. In this new MACS produced catalog the group numbering scheme is as follows: 2.5LD means 2.5 Liter Diesel Engine; 2.0L means 2.0 Liter Four Cylinder Gas Engine; 3.3L6T means 3.3 Liter Six Cylinder Transverse Mounted Engine; and 3.8L means 3.8 Liter Six Cylinder Engine. Also note that Engine Mounting parts are located in Group 9.

PAGE NUMBERING

Two-part page numbers are used throughout this catalog. The first part of the page designation indicates one major group or section. The second part indicates the actual page number in the group. For example:

2-1 indicates Group 2, Front Suspension, Page 1
 3-4 indicates Group 3, Axle Rear, Page 4

In the maintenance of the Loose Leaf Parts Catalog Revision Service, it may become necessary to add information beyond the capacity of the page. In this event, an "A" page will be used. For example, if it becomes necessary, because of change, to add several part numbers to page 2-1 and space does not permit the addition, you will be given Page 2-1A. Page 2-1A should be filed immediately following Page 2-1.

Figure and Item Numbers are also commonly used to identify locations in the Catalog, ie., 14-910/8 refers to Group 14, illustration 910, Item Number 8. Illustration Numbers are always ascending sequential within the Groups.

SYMBOLS USED IN THIS CATALOG

The Following symbols are commonly used with Part Number and Quantity information in this Catalog:

AR - Indicates the quantity required may vary or is to be determined by the user.

PAR - Indicates "Paint As Required"

BLANK - Indicates "All Condition"

- = "Not Illustrated"

LOGICAL ILLUSTRATIONS

Refer to Illustration in front of each group. This will give assistance to as how each group is broken down and what Specific Illustration should be referenced.

ILLUSTRATION NUMBERING INDEX

Illustration numbers in this Catalog are Group standards. This indicates group and consistent content. **EXAMPLE:** 8-100 is a Logical Illustration for Starters. 8-101 to 8-199 are Specific Illustrations used for Starters for all Catalogs. 8-200 will contain Alternators for all Catalogs and so on. Always refer to group index in front of each group.

ILLUSTRATION INDEX

This index is a compilation of catalog parts description data with reference to illustrations, figures and key numbers as shown:

Fender ie; Model.....Group: S(Model)Illustration 410
(Fender is located in Sheet Metal Section (S) in Illustration 410)

The first page of each group contains a listing of all illustrations and group breakdown within that group. Also refer to illustrations alphabetically listed in information section.

ALPHABETIC INDEX

This index is a compilation of catalog parts description data with a reference to the location of the item by Group, Figure, and Key Number as shown in the following example:

Housing, w/Pump.....Group 7 Illustration 210 Item 10
(Housing, w/Pump.....7-210/10)

The index will be expanded progressively as data is added to computer files. To locate a part by name refer to the Alphabetical Index. This index indicates the group and illustration and item number where the part is located. Alphabetical Index can be found in INF section of this Catalog.

NUMERICAL INDEX

A listing of Part Numbers contained in the catalog. The numbers are in numerical sequence with reference to the group and Illustration and item number where the part is located.

PARTS PACKAGES

Service Parts Packages, containing all parts needed for specific service operation, are listed in their respective groups with related parts. The listing will show adaptability and model application.

STANDARD PARTS

Important attaching standard parts such as bolts, nuts, etc, are generally listed in the text of the respective major parts groups.

VIN PLATE DECODING INFORMATION

1	2	3	4	5	6	7	8	9	10	11	12 thru 17
Country	Make	Vehicle Type	Other	Line	Series	Body Style	Engine	Check Digit	Model Year	Assy. Plant	Sequence No.

The following table interprets the VIN Plate positions shown above.

Position	Interpretation	Codes = Description
1	Country of Origin	1 = Built in United States by DaimlerChrysler Corp
2	Assembler	J = Jeep
3	Vehicle type	4 = Multipurpose Passenger Vehicle
4	GVWR & Pass. Safety	D = 1 - 3000lbs (0-1360KGS) E = 3001-4000lbs (1361-1814KGS) F = 4001-5000lbs (1815-2267KGS) G = 5001-6000lbs (2268-2721KGS) H = 6001-7000lbs (2722-3175KGS) J = 7001-8000lbs (3176-3628KGS) K = 8001-9000lbs (3629-4082KGS) L = 9001-10000lbs (4083-4535KGS) M = 10001-14000lbs (4536-6350KGS)
5	Vehicle Line	X = Grand Cherokee 4x2 (LHD) W = Grand Cherokee 4x4 (LHD)
6	Series	3 = Sport 4 = Laredo 5 = Limited 6 = Overland
7	Body Style	8 = 4 Dr. Sport Utility(74)
8	Engine	S = 4.0L 6 Cyl. Gas (ERH) N = 4.7L 8 Cyl (EVA) J = 4.7L 8 Cyl. H/O (EVC)
9	Check Didgit	
10	Model Year	4 = 2004
11	Assembly Plant	C = Jefferson North Assembly
12 thru17	Vehicle Build Sequence	Model Year Assembly Sequence

BODY CODE PLATE INTERPRETATION

The Body Code Plate is located on the Left Front Side Shield or Wheel Housing or the Upper Radiator Support. The Plate contains 7 rows of data. The bottom 3 rows are reserved for the specific information as depicted below. Starting at the fourth row (following the reserved portion), other Sales Codes used to build a specific vehicle are listed in the ascending order by ALPHA sequence.

1	2	3	4	5	6	7	8	9	10	11	12	13	14	15	16	17	18	19	20	21
22	23	24	25	26	27	28	29	30	31	32	33	34	35	36	37	38	39			
40	41	42	43	44	45	46	47	48	49	50	51	52	53	54	55	56	57	58	59	60

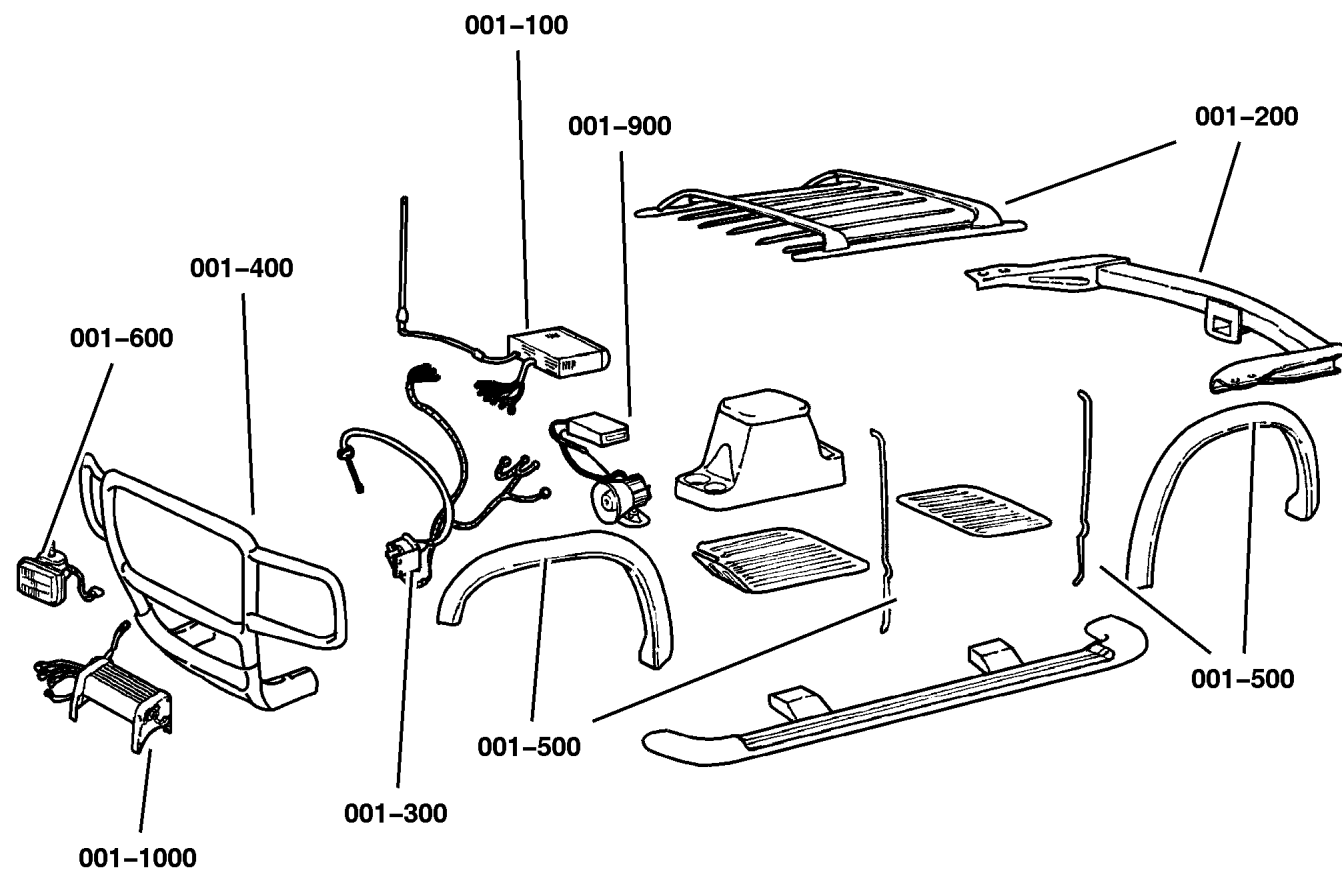
1-12	VEHICLE ORDER NUMBER
13-15	VINYL ROOF CODE/DOOR COMBO CODES
16-18	VEHICLE SHELL CAR LINE
19	PRICE CLASS
20-21	BODY TYPE
22-24	PAINT PROCEDURE
25-28	PRIMARY PAINT
29-32	SECONDARY PAINT
33-36	INTERIOR TRIM CODE
37-39	ENGINE CODES
40-42	TRANSMISSION CODES
43	MARKET CODES
44-46	VEHICLE IDENTIFICATION NUMBER (VIN) For definition of the Elements and the individual position see Vin Plate Defined.

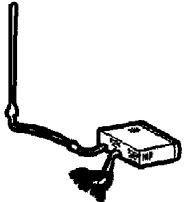


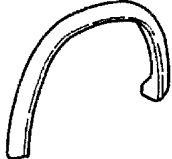



ABBREVIATIONS

A/C	Air Conditioner
ABS	Anti-Lock Brakes System
AR	As Required
ATC	Automatic Temperature Control
AWD	All Wheel Drive
BUX	Built Up Export
CV	Constant Velocity
DOHC	Dual (or Double) OverHead Cam
EFI	Electronic Fuel Injection
EGR	Exhaust Gas Recirculation
ECU	Electronic Control Unit
FWD	Front Wheel Drive
HEX	HEXagon
HCU	Hydraulic Control Unit
I/D	Inside Diameter
L	Liter
LED	Light Emitting Diode
MAP	Manifold Absolute Pressure
MPH	Miles Per Hour
O/D	Outside Diameter
P/S	Power Steering
PSI	Pounds per Square Inch
PSF	Pounds per Square Foot
PRNODL	Park, Reverse, Neutral, Overdrive, Drive, Low
PRNDL	Park, Reverse, Neutral, Drive, Low
PTO	Power Take Off
RFI	Radio Frequency Interference
RPM	Revolutions Per Minute
RTV	Room Temperature Vulcanizer (sealant)
T/BODY	Throttle BODY
U/BODY	Under BODY
SOHC	Single OverHead Cam
PAR	Paint As Required

Group - 001

Component Parts for Mopar Accessories



001-100 Audio & Electronics 	001-200 Carriers & Cargo Hauling 	001-300 Driving Convenience 	001-500 Exterior Protection 
001-600 Fog Lights & Electrical 	001-800 Interior Storage 	001-900 Security 	

GROUP 1 - Component Parts for Mopar Accessories

Illustration Title

Group-Fig. No.

Audio & Electronics

Player Kit 10-Disc 10-Disc	Fig. 001-115
Satelite Receiver Kit	Fig. 001-120
Install Kit, Satelite Receiver Without Changer Without Changer	Fig. 001-130
Navigation Kit	Fig. 001-140
Install Kit, Satelite Receiver With Changer	Fig. 001-142

Carriers & Cargo Hauling

Bike Carrier - Hitch Two Bike Two Bike	Fig. 001-210
Bike Carrier - Hitch Four Bike Four Bike	Fig. 001-211
Bike Carrier - Roof Fork Mount Style	Fig. 001-212
Bike Carrier - Roof Upright Mount Style	Fig. 001-214
Carrier Kit - Canoe	Fig. 001-220
Carrier Kit - Water Sports	Fig. 001-222
Ski Carrier - Hitch	Fig. 001-230
Ski Carrier - Roof	Fig. 001-236
Luggage Carrier - Roof Hard Shell	Fig. 001-270
Luggage Carrier - Roof Vinyl	Fig. 001-274

Driving Convenience

Filter Kit - Cabin Air	Fig. 001-315
------------------------------	--------------

Exterior Protection

Shield Kit, Air Front	Fig. 001-510
Skid Plate Package - Front	Fig. 001-520
Skid Plate Package - Transfer Case	Fig. 001-522

Fog Lights & Electrical

Heater Kit	Fig. 001-610
Light Package - Fog	Fig. 001-615

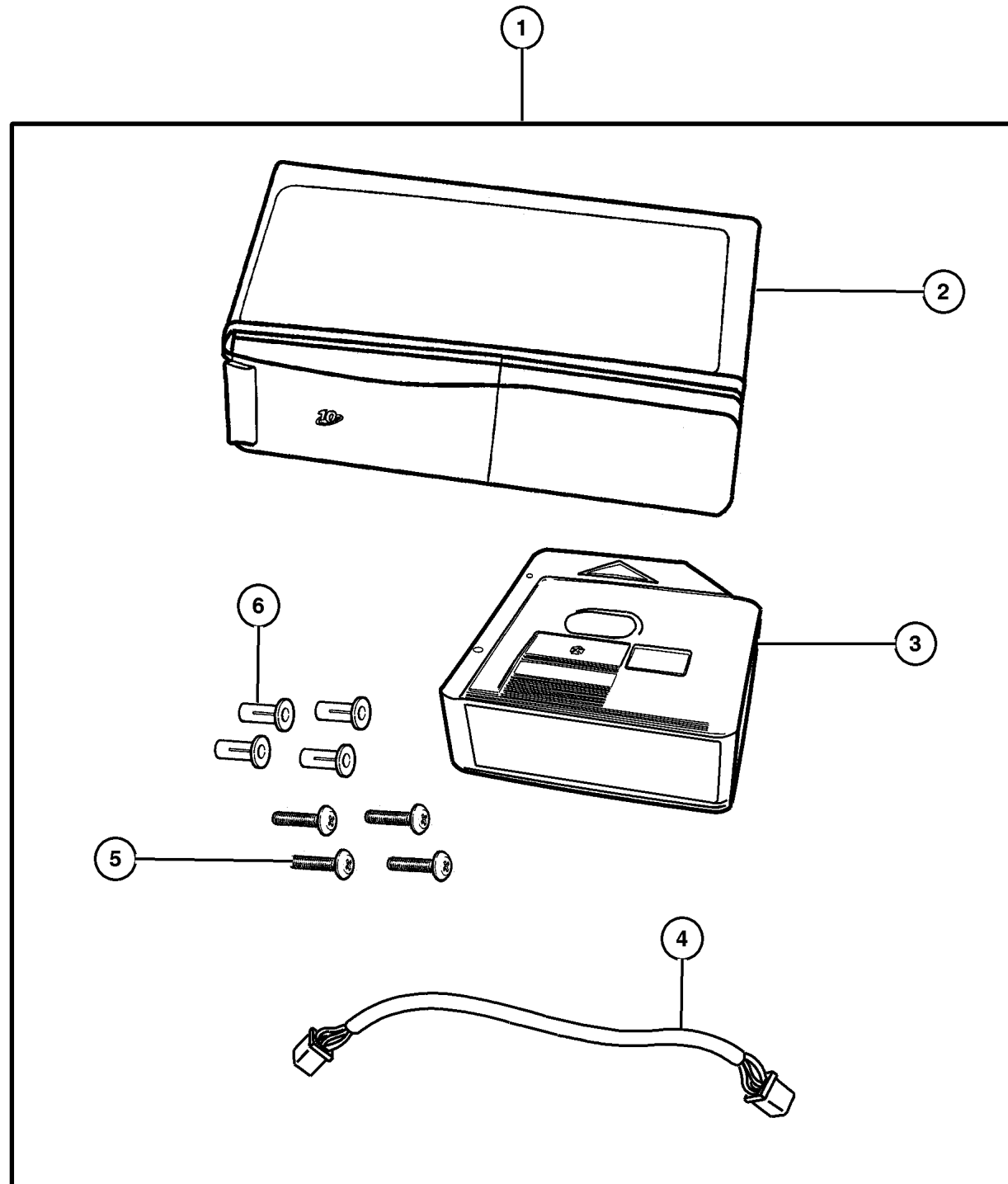
Interior Storage

Guard Kit - Dog	Fig. 001-820
-----------------------	--------------

Security

Alarm - EVS Plus System	Fig. 001-914
-------------------------------	--------------

**Player Kit 10-Disc
Figure 001-115**



ITEM	PART NUMBER	QTY	LINE	SERIES	BODY	ENGINE	TRANS	TRIM	DESCRIPTION
1	8220 7521	1			74				PLAYER KIT, CD Changer - 10 Disc
2	56042 129AI	1							CHANGER, CD
3	4858 564	1			74				MAGAZINE, CD Changer
4	5080 971AA	1			74				CABLE, CD Changer
5	6100 047	4							NUT AND WASHER, Hex Nut-Coned Washer, M6 x 1.00
6	6505 002AA	4							STUD

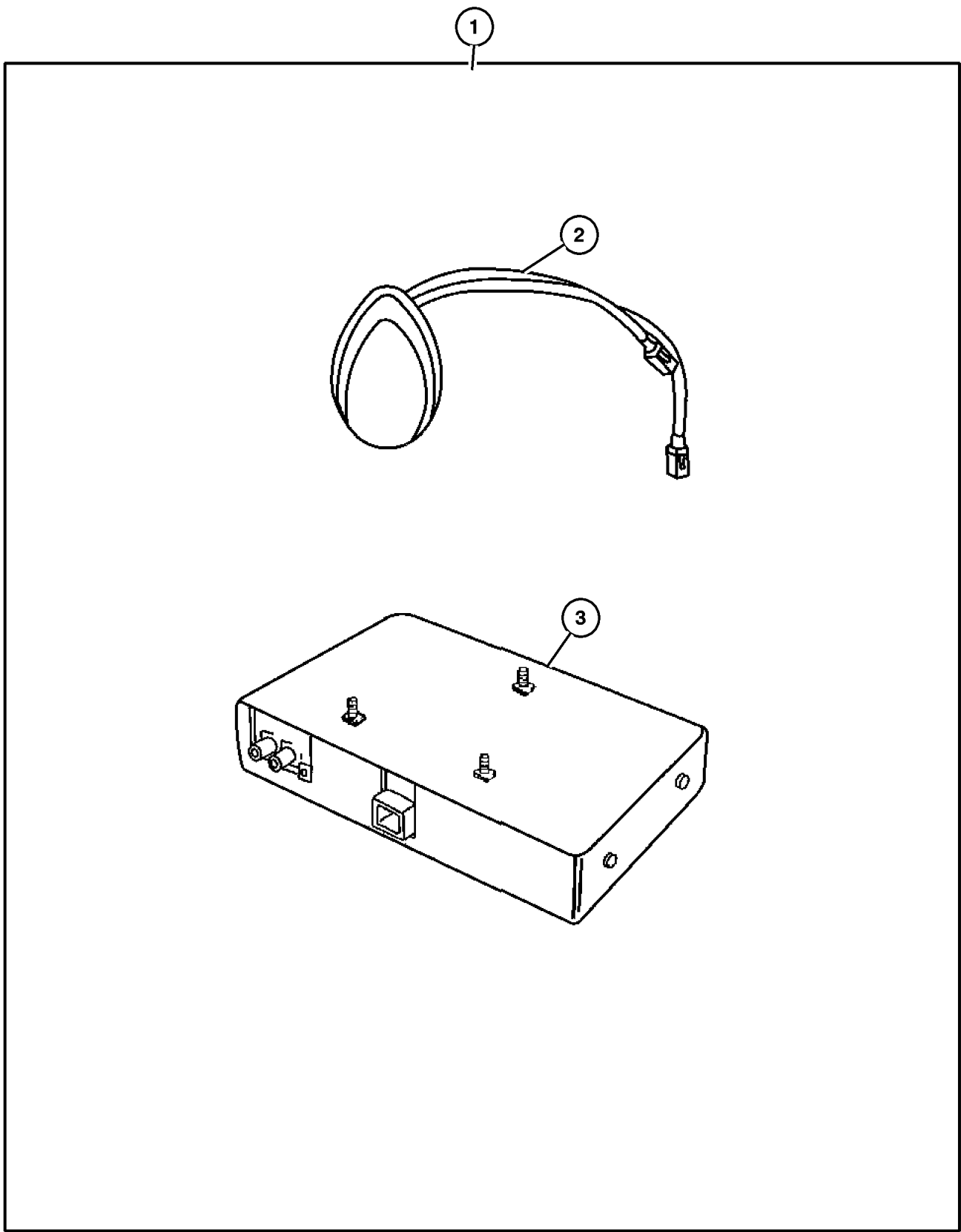
JEEP GRAND CHEROKEE (WJ)

SERIES	LINE	BODY	ENGINE	TRANSMISSION
H = Laredo	J = 4WD	74 = 4 Door	ERH = 4.0L, Power Tech I-6	DGK = 4 Speed Auto, 42RE
M = Sport	T = 2WD		EVA = 4.7L Power Tech V8	DGQ = 5 Speed Auto, 45RFE
P = Limited			EVC = 4.7L HO V8 MPI	DG0 = All Automatic Trans
S = Overland			ER0 = All 4.0L 6 Cyl Gas	
			EVO = All 4.7l Gas	

AR = Use as required - = Non illustrated part # = New this model year

December 1, 2003

**Satelite Receiver Kit
Figure 001-120**



ITEM	PART NUMBER	QTY	LINE	SERIES	BODY	ENGINE	TRANS	TRIM	DESCRIPTION
------	-------------	-----	------	--------	------	--------	-------	------	-------------

Note: For Warranty Repair on Item 3, Order Through [GPOP] Function 11, Using Z Prefix

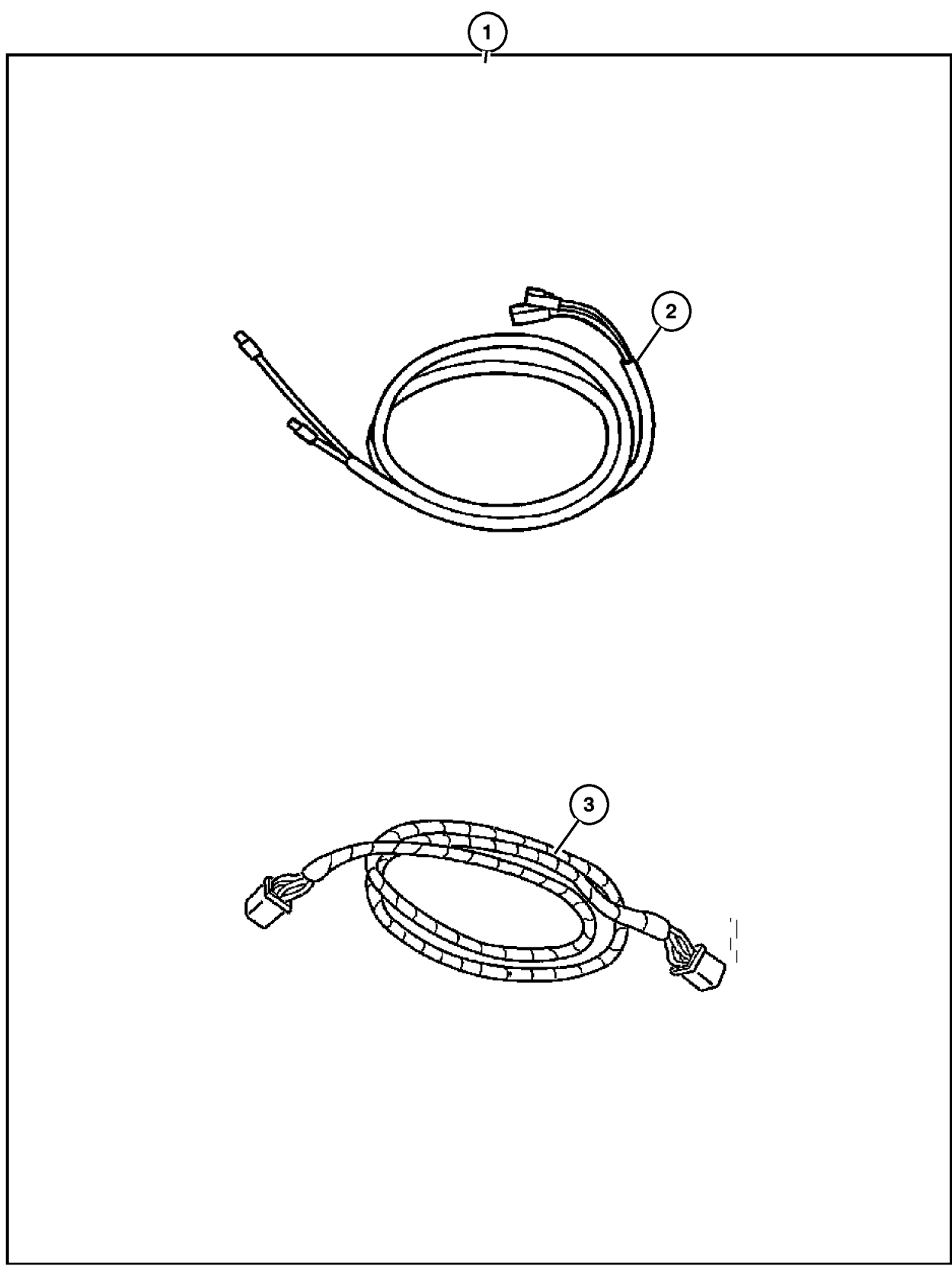
1	82206 488AA	1							RECEIVER, Satelite
2	5066 205AC	1							ANTENNA, Satellite
3	5064 020AG	1							RECEIVER, Satellite

JEEP GRAND CHEROKEE (WJ)				
SERIES	LINE	BODY	ENGINE	TRANSMISSION
H = Laredo	J = 4WD	74 = 4 Door	ERH = 4.0L, Power Tech I-6	DGK = 4 Speed Auto, 42RE
M = Sport	T = 2WD		EVA = 4.7L Power Tech V8	DGQ = 5 Speed Auto, 45RFE
P = Limited			EVC = 4.7L HO V8 MPI	DG0 = All Automatic Trans
S = Overland			ER0 = All 4.0L 6 Cyl Gas	
			EVO = All 4.7l Gas	

AR = Use as required - = Non illustrated part # = New this model year

Install Kit, Satelite Receiver Without Changer Without Changer
Figure 001-130

ITEM	PART NUMBER	QTY	LINE	SERIES	BODY	ENGINE	TRANS	TRIM	DESCRIPTION
1	8220 6489	1							INSTALL KIT, Satelite Receiver
2	5066 207AA	1							CABLE, Antenna
3	5066 203AA	1							WIRING, Rcvr to Radio



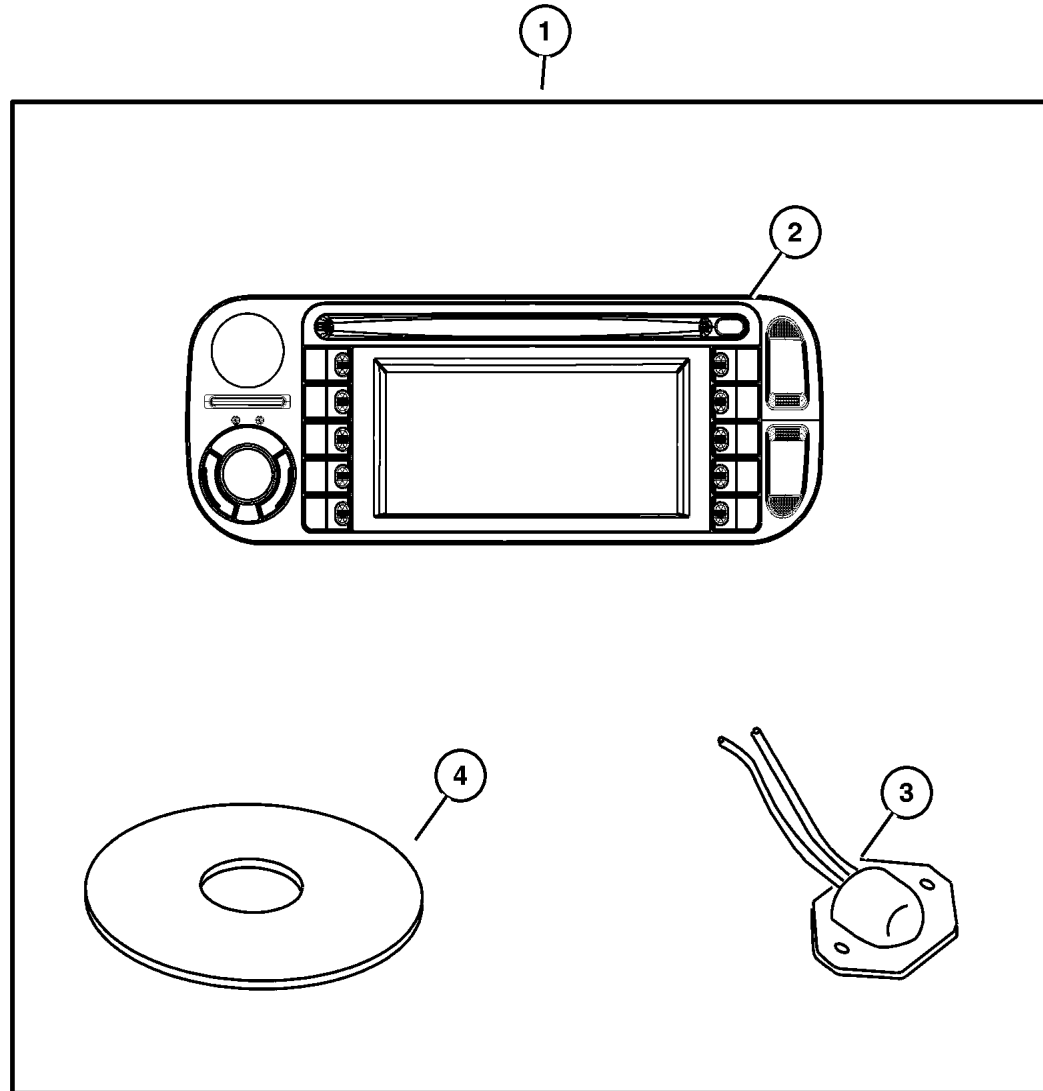
JEEP GRAND CHEROKEE (WJ)

SERIES	LINE	BODY	ENGINE	TRANSMISSION
H = Laredo	J = 4WD	74 = 4 Door	ERH = 4.0L, Power Tech I-6	DGK = 4 Speed Auto, 42RE
M = Sport	T = 2WD		EVA = 4.7L Power Tech V8	DGQ = 5 Speed Auto, 45RFE
P = Limited			EVC = 4.7L HO V8 MPI	DG0 = All Automatic Trans
S = Overland			ER0 = All 4.0L 6 Cyl Gas	
			EVO = All 4.7l Gas	

AR = Use as required - = Non illustrated part # = New this model year

**Navigation Kit
Figure 001-140**

ITEM	PART NUMBER	QTY	LINE	SERIES	BODY	ENGINE	TRANS	TRIM	DESCRIPTION
Note: For Warranty Repair on Item 2, Order Through [GPOP] Function 11, Using Z Prefix									
1	8220 6406	1							RADIO, AM/FM CD W/NAV/DVD & CD-CTRL
2	56038 629AB	1							RADIO, AM/FM CD W/NAV/DVD & CD-CTRL
3	56038 630AA	1							ANTENNA, GPS
4	56038 642AC	1							DVD, Geographic Database



JEEP GRAND CHEROKEE (WJ)

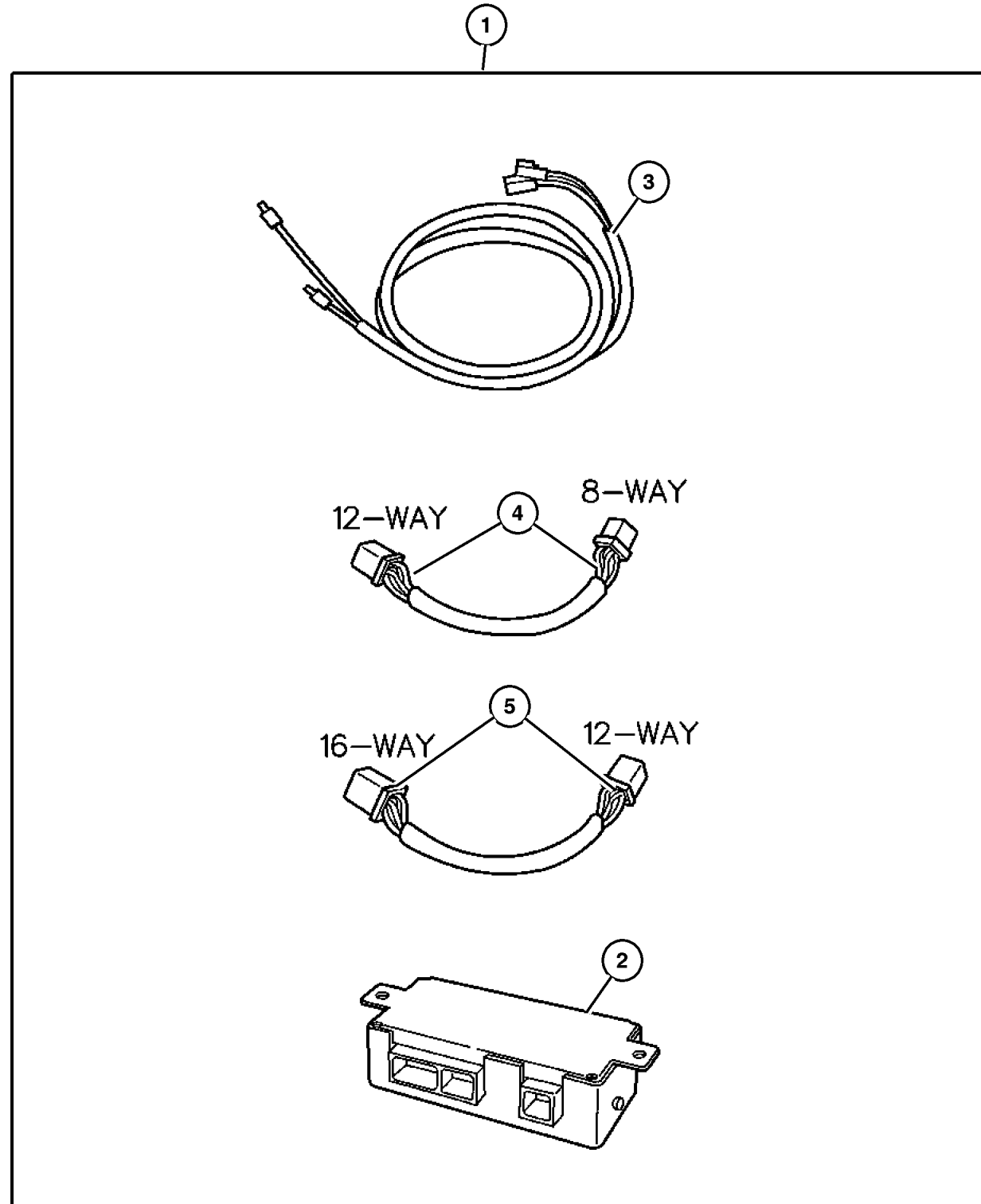
SERIES	LINE	BODY	ENGINE	TRANSMISSION
H = Laredo	J = 4WD	74 = 4 Door	ERH = 4.0L, Power Tech I-6	DGK = 4 Speed Auto, 42RE
M = Sport	T = 2WD		EVA = 4.7L Power Tech V8	DGQ = 5 Speed Auto, 45RFE
P = Limited			EVC = 4.7L HO V8 MPI	DG0 = All Automatic Trans
S = Overland			ER0 = All 4.0L 6 Cyl Gas	
			EVO = All 4.7l Gas	

AR = Use as required - = Non illustrated part # = New this model year

December 1, 2003

Install Kit, Satellite Receiver With Changer
Figure 001-142

ITEM	PART NUMBER	QTY	LINE	SERIES	BODY	ENGINE	TRANS	TRIM	DESCRIPTION
1	8220 7564	1							INSTALL KIT, Satellite Receiver
2	5066 202AC	1							MODULE, RR Multiplex
3	5066 207AA	1							CABLE, Antenna
4	5066 204AA	1							WIRING, CD to MUX
5	5066 206AA	1							WIRING, RCVR TO MUX



JEEP GRAND CHEROKEE (WJ)				
SERIES	LINE	BODY	ENGINE	TRANSMISSION
H = Laredo	J = 4WD	74 = 4 Door	ERH = 4.0L, Power Tech I-6	DGK = 4 Speed Auto, 42RE
M = Sport	T = 2WD		EVA = 4.7L Power Tech V8	DGQ = 5 Speed Auto, 45RFE
P = Limited			EVC = 4.7L HO V8 MPI	DG0 = All Automatic Trans
S = Overland			ER0 = All 4.0L 6 Cyl Gas	
			EVO = All 4.7l Gas	

AR = Use as required - = Non illustrated part # = New this model year

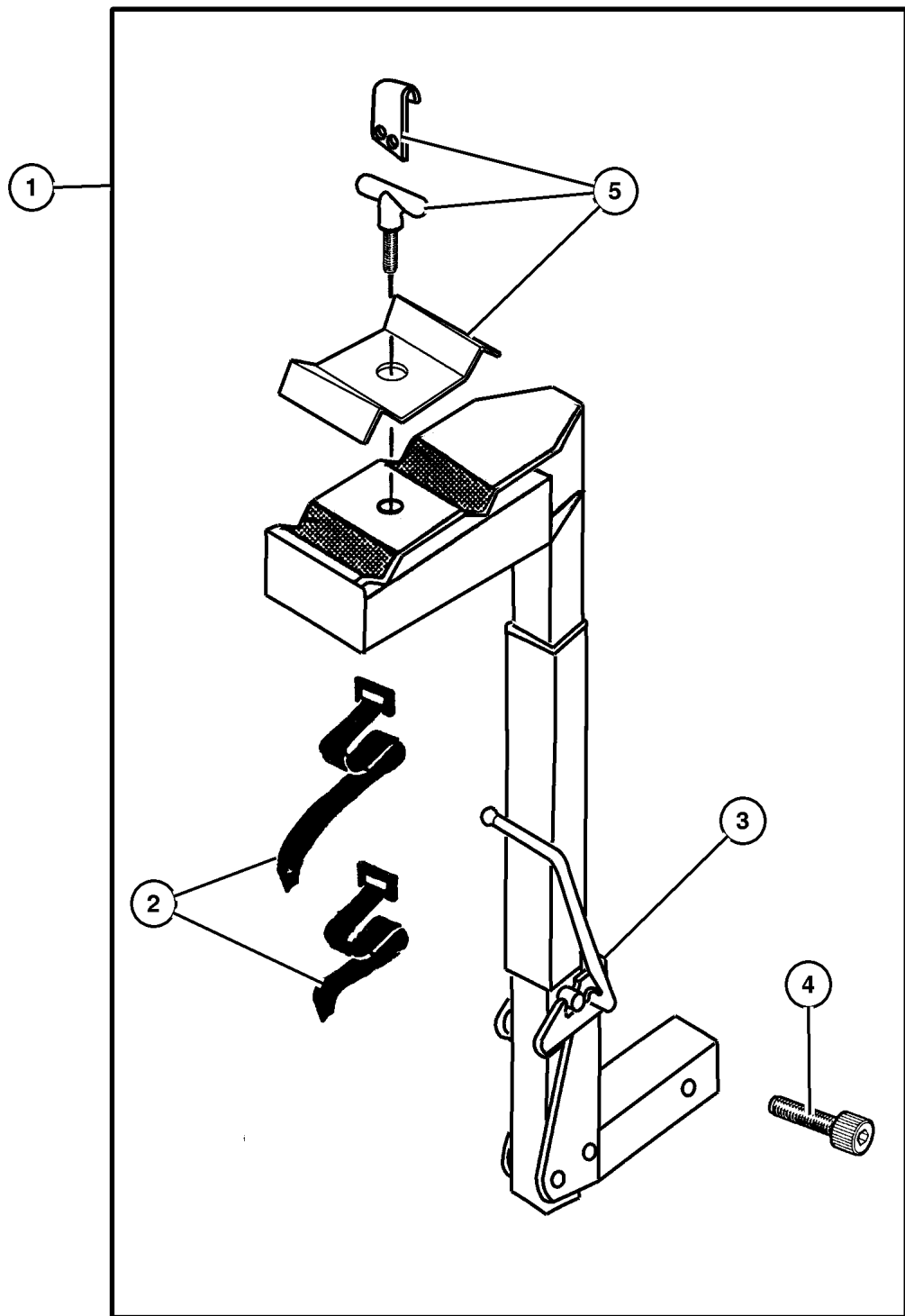
December 1, 2003

**Bike Carrier - Hitch Two Bike Two Bike
Figure 001-210**

ITEM	PART NUMBER	QTY	LINE	SERIES	BODY	ENGINE	TRANS	TRIM	DESCRIPTION
------	-------------	-----	------	--------	------	--------	-------	------	-------------

NOTE: Folds down for access to rear hatch, has anti theft bolts.

1	8220 4453	1	J, T		74				CARRIER KIT, Bike, 2.0 inch Receiver
2	4762 880	1	J, T		74				STRAP KIT, Velcro
3	5016 775AA	1	J, T		74				STRAP KIT, Bike Carrier Latch
4	5016 776AA	1	J, T		74				BOLT KIT, Security
5	5018 825AA	1	J, T		74				HARDWARE KIT, Bike Carrier



JEEP GRAND CHEROKEE (WJ)

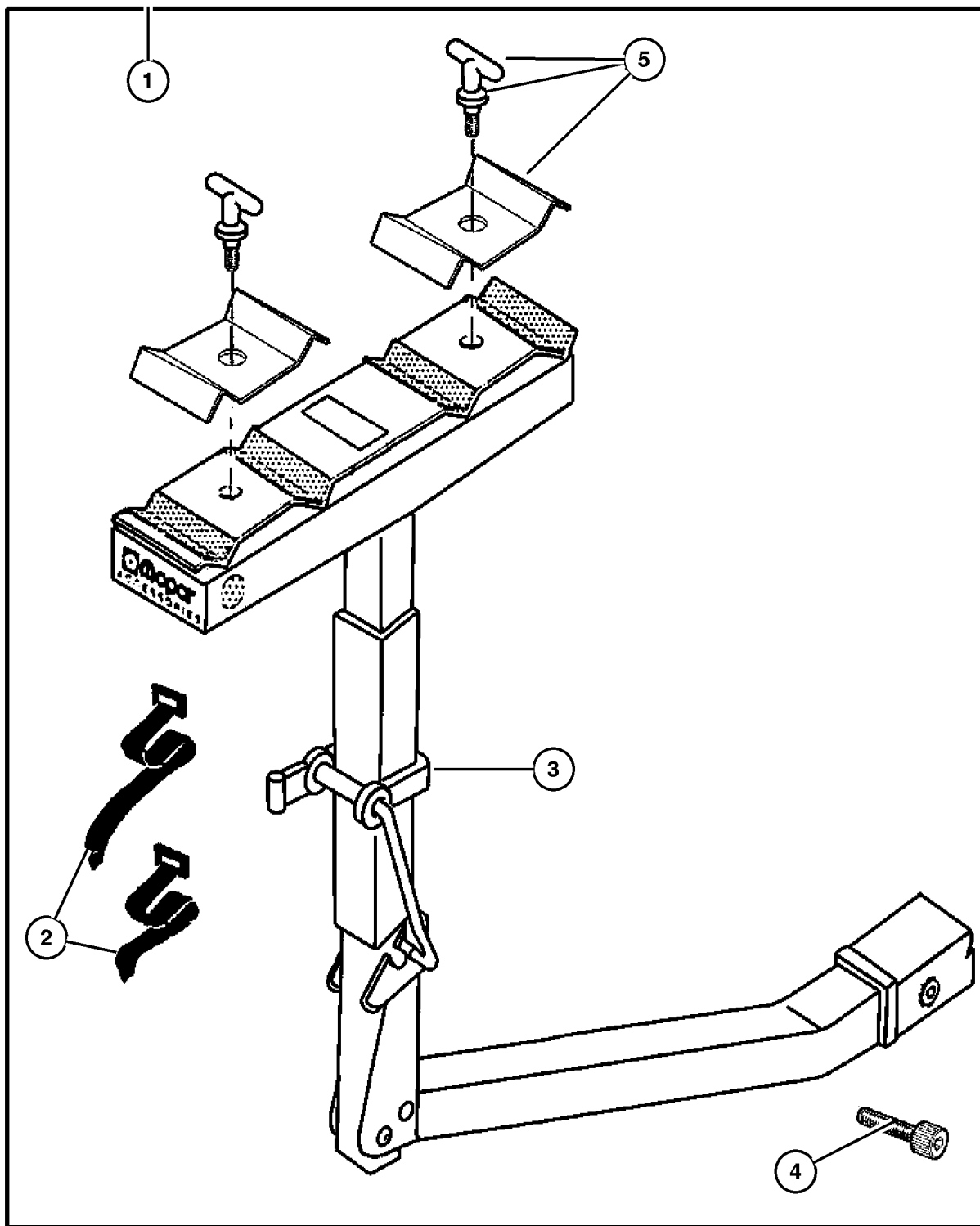
SERIES	LINE	BODY	ENGINE	TRANSMISSION
H = Laredo	J = 4WD	74 = 4 Door	ERH = 4.0L, Power Tech I-6	DGK = 4 Speed Auto, 42RE
M = Sport	T = 2WD		EVA = 4.7L Power Tech V8	DGQ = 5 Speed Auto, 45RFE
P = Limited			EVC = 4.7L HO V8 MPI	DG0 = All Automatic Trans
S = Overland			ER0 = All 4.0L 6 Cyl Gas	
			EVO = All 4.7l Gas	

AR = Use as required - = Non illustrated part # = New this model year

December 1, 2003

Bike Carrier - Hitch Four Bike Four Bike
Figure 001-211

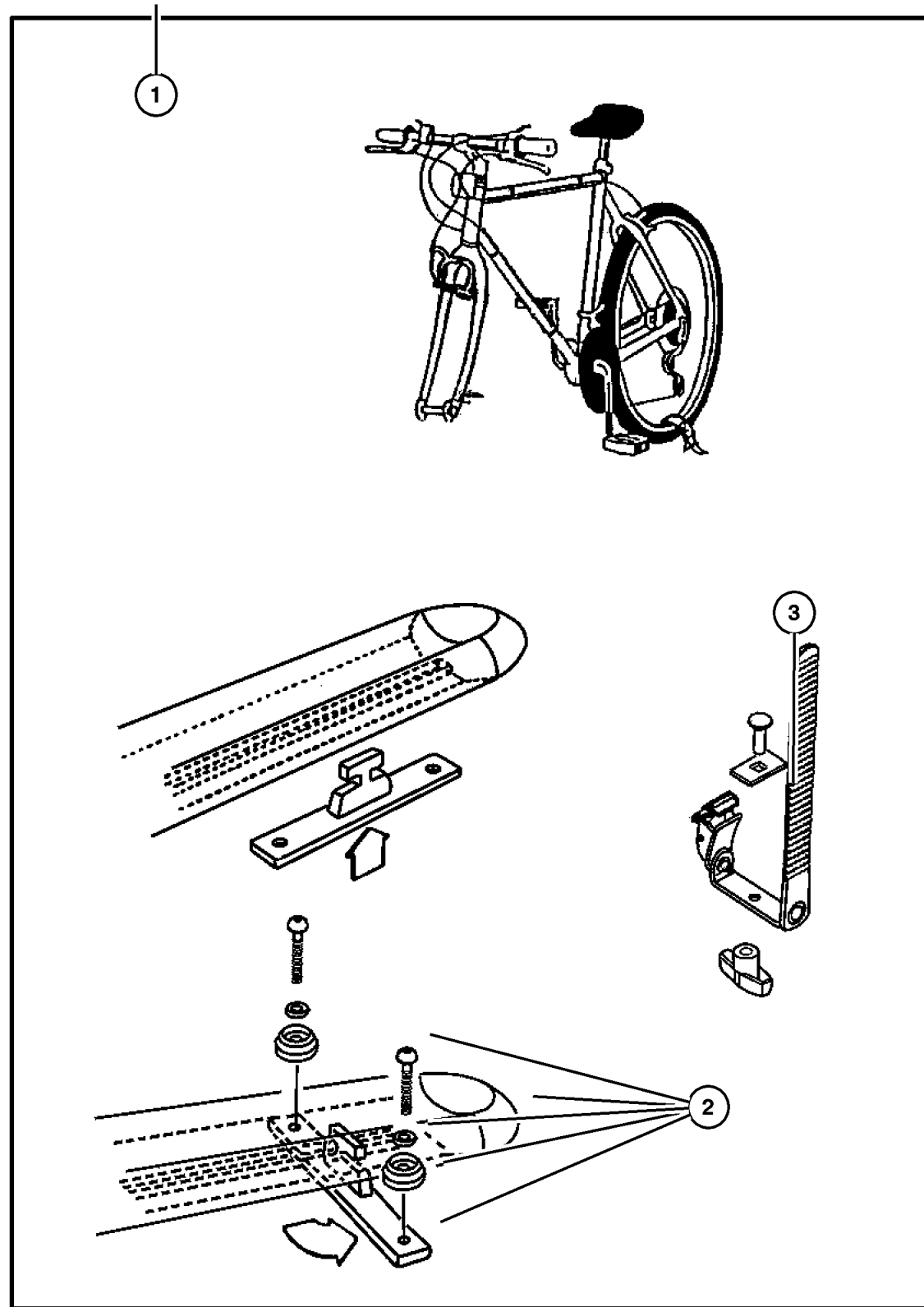
ITEM	PART NUMBER	QTY	LINE	SERIES	BODY	ENGINE	TRANS	TRIM	DESCRIPTION
1	8220 4328	1	J, T		74				CARRIER KIT, Bike, 2-Inch Receiver, Four Bike
2	4762 880	1	J, T		74				STRAP KIT, Velcro
3	5016 775AA	1	J, T		74				STRAP KIT, Bike Carrier Latch
4	5016 776AA	1	J, T		74				BOLT KIT, Security
5	5018 825AA	1	J, T		74				HARDWARE KIT, Bike Carrier



JEEP GRAND CHEROKEE (WJ)				
SERIES	LINE	BODY	ENGINE	TRANSMISSION
H = Laredo	J = 4WD	74 = 4 Door	ERH = 4.0L, Power Tech I-6	DGK = 4 Speed Auto, 42RE
M = Sport	T = 2WD		EVA = 4.7L Power Tech V8	DGQ = 5 Speed Auto, 45RFE
P = Limited			EVC = 4.7L HO V8 MPI	DG0 = All Automatic Trans
S = Overland			ER0 = All 4.0L 6 Cyl Gas	
			EVO = All 4.7l Gas	

AR = Use as required - = Non illustrated part # = New this model year

**Bike Carrier - Roof Fork Mount Style
Figure 001-212**



ITEM	PART NUMBER	QTY	LINE	SERIES	BODY	ENGINE	TRANS	TRIM	DESCRIPTION
------	-------------	-----	------	--------	------	--------	-------	------	-------------

NOTE: Hardware Kit also contained in Carrier Kit.

1	8220 7943	1	J, T		74				CARRIER KIT, Bike, Fork - Mount
2	5093 779AA	1			74				HARDWARE KIT, Accessory
3	5114 532AA	1			74				STRAP, Cargo Tie Down

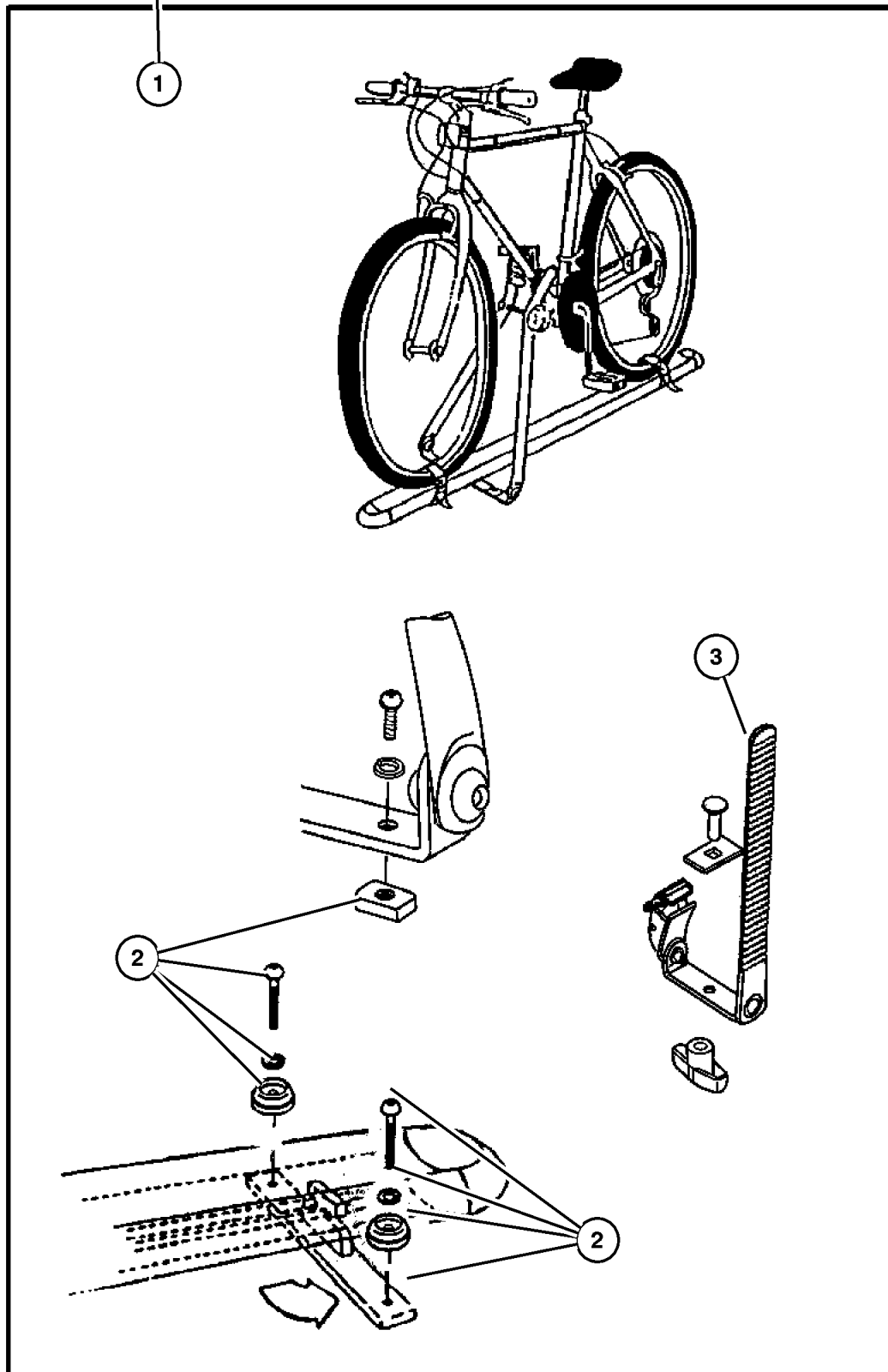
JEEP GRAND CHEROKEE (WJ)

SERIES	LINE	BODY	ENGINE	TRANSMISSION
H = Laredo	J = 4WD	74 = 4 Door	ERH = 4.0L, Power Tech I-6	DGK = 4 Speed Auto, 42RE
M = Sport	T = 2WD		EVA = 4.7L Power Tech V8	DGQ = 5 Speed Auto, 45RFE
P = Limited			EVC = 4.7L HO V8 MPI	DG0 = All Automatic Trans
S = Overland			ER0 = All 4.0L 6 Cyl Gas	
			EVO = All 4.7l Gas	

AR = Use as required - = Non illustrated part # = New this model year

December 1, 2003

**Bike Carrier - Roof Upright Mount Style
Figure 001-214**



ITEM	PART NUMBER	QTY	LINE	SERIES	BODY	ENGINE	TRANS	TRIM	DESCRIPTION
1	8220 7942	1			74				CARRIER KIT, Bike, Upright - Mount
2	5093 779AA	1			74				HARDWARE KIT, Accessory
3	5114 532AA	1			74				STRAP, Cargo Tie Down

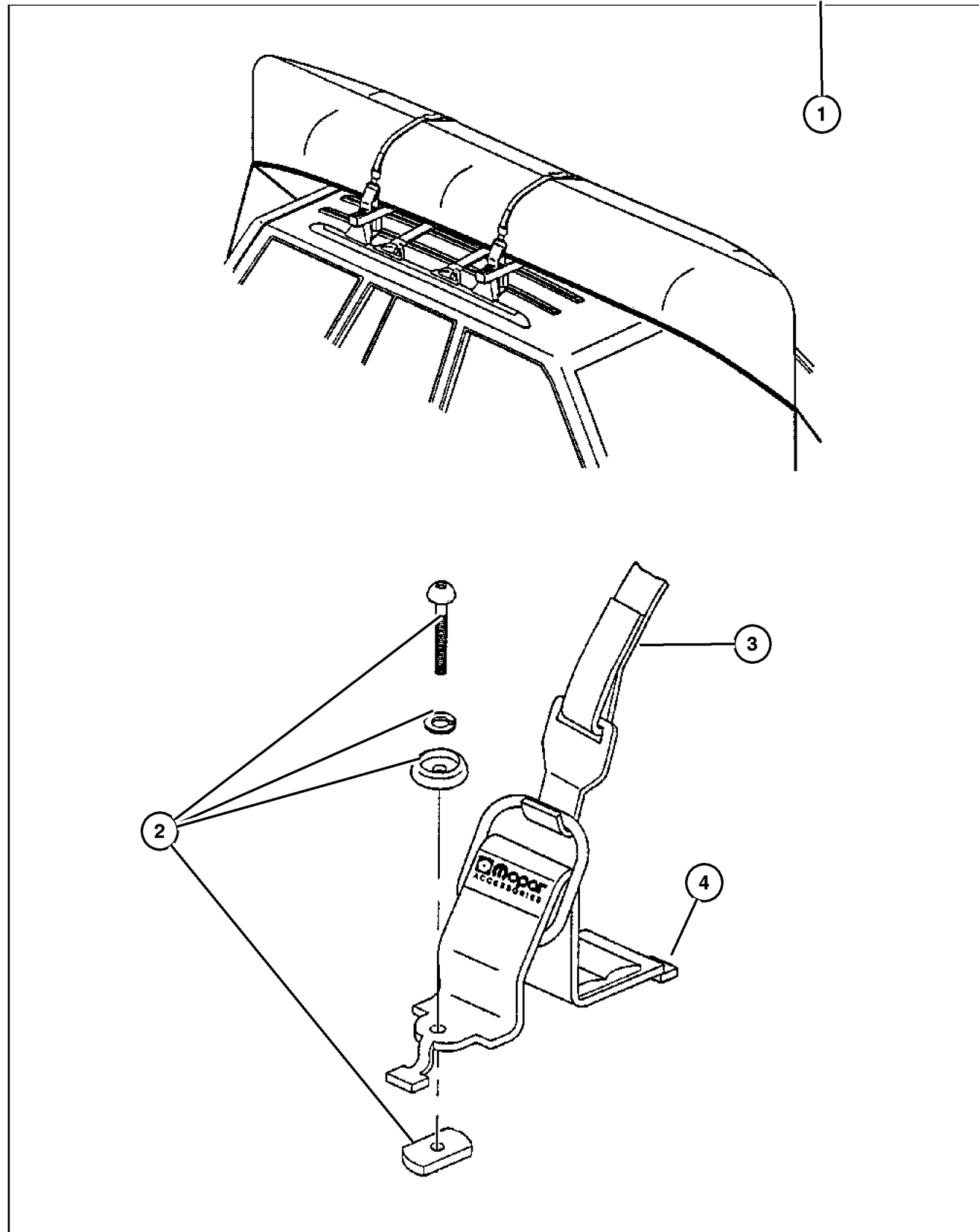
JEEP GRAND CHEROKEE (WJ)

SERIES	LINE	BODY	ENGINE	TRANSMISSION
H = Laredo	J = 4WD	74 = 4 Door	ERH = 4.0L, Power Tech I-6	DGK = 4 Speed Auto, 42RE
M = Sport	T = 2WD		EVA = 4.7L Power Tech V8	DGQ = 5 Speed Auto, 45RFE
P = Limited			EVC = 4.7L HO V8 MPI	DG0 = All Automatic Trans
S = Overland			ER0 = All 4.0L 6 Cyl Gas	
			EVO = All 4.7l Gas	

AR = Use as required - = Non illustrated part # = New this model year

December 1, 2003

Carrier Kit - Canoe
Figure 001-220



ITEM	PART NUMBER	QTY	LINE	SERIES	BODY	ENGINE	TRANS	TRIM	DESCRIPTION
------	-------------	-----	------	--------	------	--------	-------	------	-------------

NOTE: Use only with Sport Utility Bar

NOTE: Hardware Kit also contained in Carrier Kit

1	8220 4700	1	J, T		74				CARRIER KIT, Canoe
2	5016 389AA	1	J, U		74				HARDWARE KIT, Accessory
3	5016 511AA	1	J, U		74				STRAP, Cargo Tie Down
4									BRACKET, Cargo Tie Down, Serviced in Package, (NOT SERVICED) (Not Serviced)

JEEP GRAND CHEROKEE (WJ)

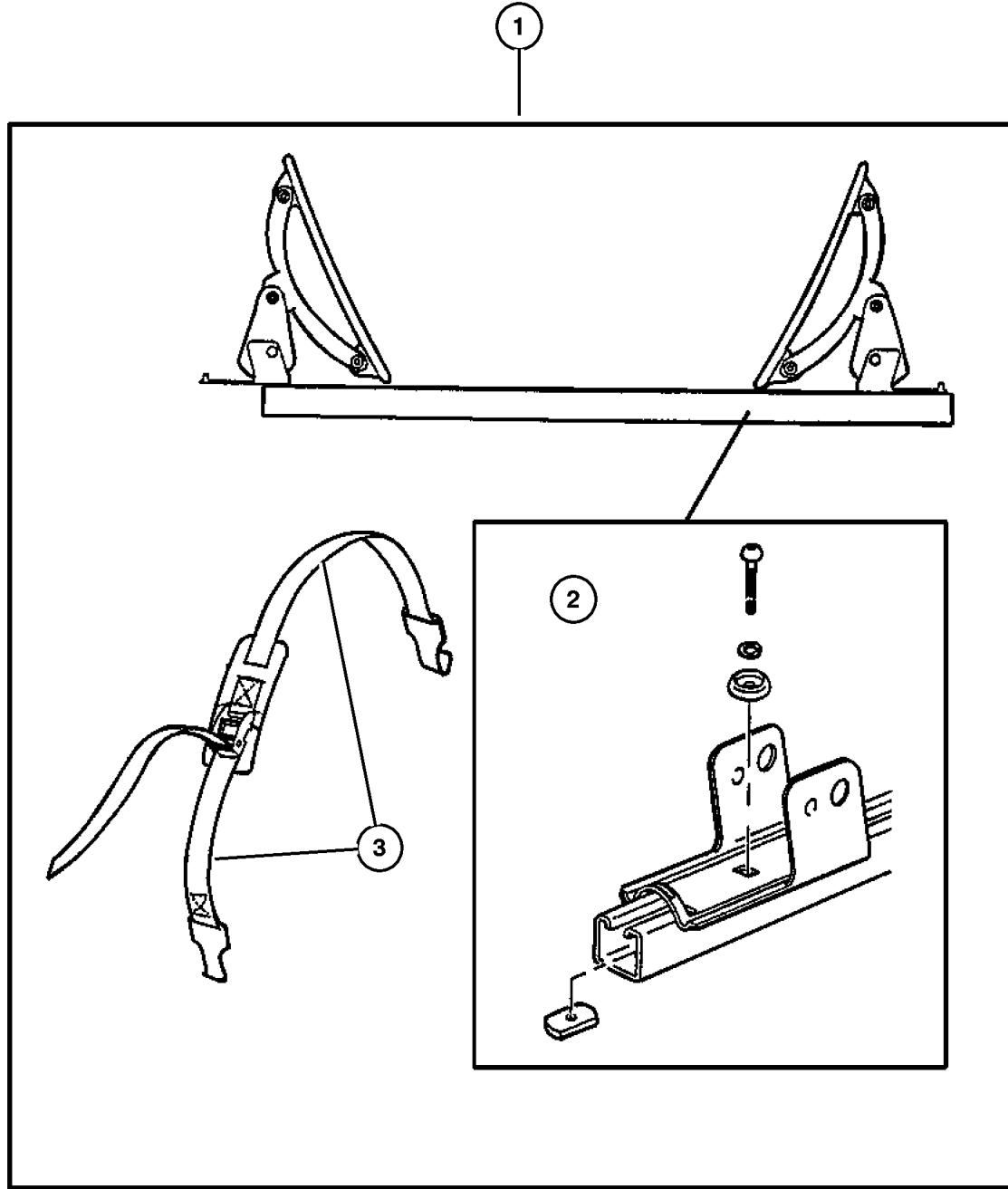
SERIES	LINE	BODY	ENGINE	TRANSMISSION
H = Laredo	J = 4WD	74 = 4 Door	ERH = 4.0L, Power Tech I-6	DGK = 4 Speed Auto, 42RE
M = Sport	T = 2WD		EVA = 4.7L Power Tech V8	DGQ = 5 Speed Auto, 45RFE
P = Limited			EVC = 4.7L HO V8 MPI	DG0 = All Automatic Trans
S = Overland			ER0 = All 4.0L 6 Cyl Gas	
			EVO = All 4.7l Gas	

AR = Use as required - = Non illustrated part # = New this model year

December 1, 2003

**Carrier Kit - Water Sports
Figure 001-222**

ITEM	PART NUMBER	QTY	LINE	SERIES	BODY	ENGINE	TRANS	TRIM	DESCRIPTION
1	8220 5416	1	J, U		74				CARRIER KIT, Water Sports
2	5016 389AA	1	J, U		74				HARDWARE KIT, Accessory
3	5016 511AA	1	J, T		74				STRAP, Cargo Tie Down



JEEP GRAND CHEROKEE (WJ)

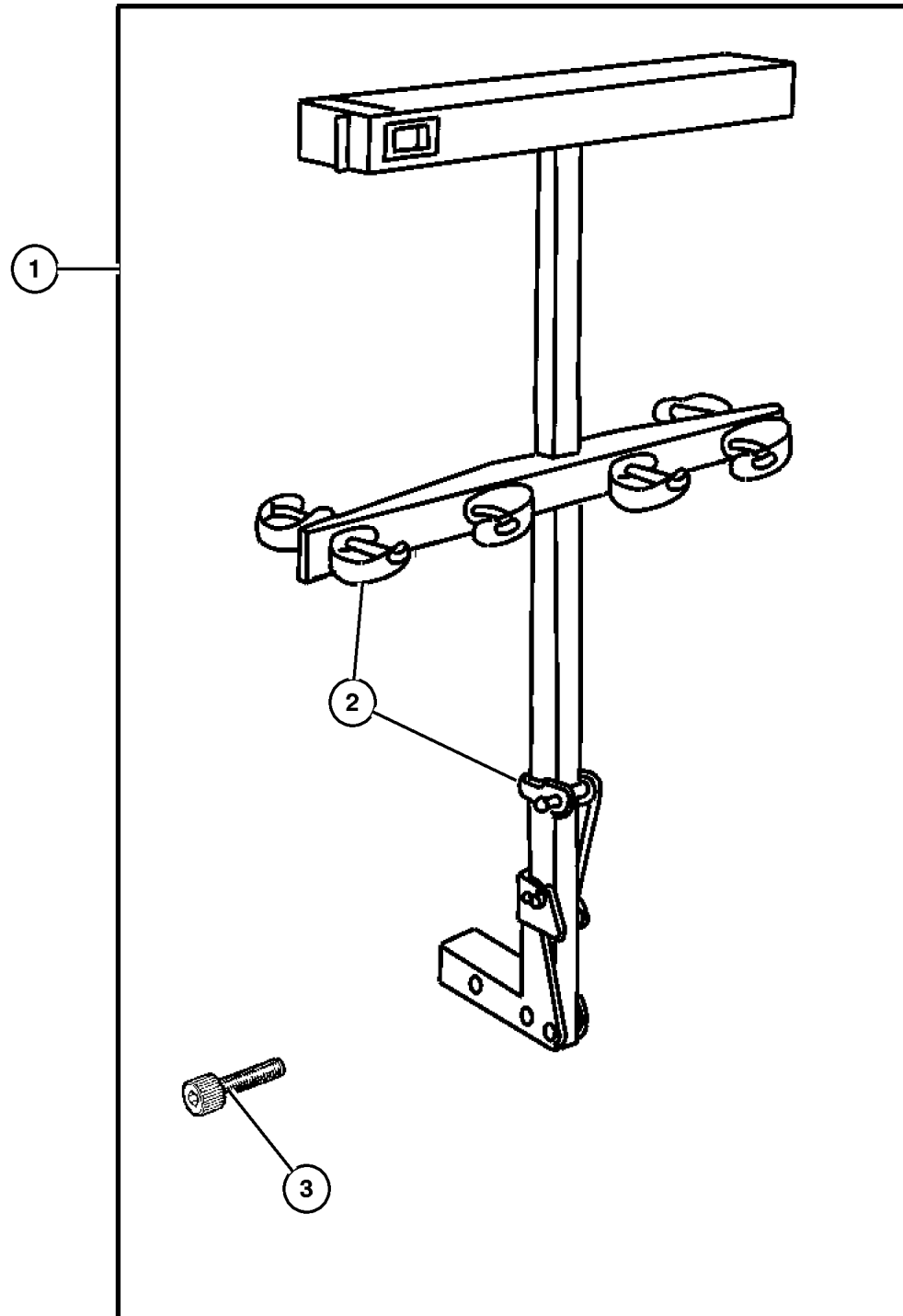
SERIES	LINE	BODY	ENGINE	TRANSMISSION
H = Laredo	J = 4WD	74 = 4 Door	ERH = 4.0L, Power Tech I-6	DGK = 4 Speed Auto, 42RE
M = Sport	T = 2WD		EVA = 4.7L Power Tech V8	DGQ = 5 Speed Auto, 45RFE
P = Limited			EVC = 4.7L HO V8 MPI	DG0 = All Automatic Trans
S = Overland			ER0 = All 4.0L 6 Cyl Gas	
			EVO = All 4.7l Gas	

AR = Use as required - = Non illustrated part # = New this model year

December 1, 2003

Ski Carrier - Hitch
Figure 001-230

ITEM	PART NUMBER	QTY	LINE	SERIES	BODY	ENGINE	TRANS	TRIM	DESCRIPTION
1	8220 4455	1	J, T		74				CARRIER KIT, Ski - 4 Pair
2	5016 775AA	1	J, T		74				STRAP KIT, Bike Carrier Latch
3	5016 776AA	1	J, T		74				BOLT KIT, Security



JEEP GRAND CHEROKEE (WJ)

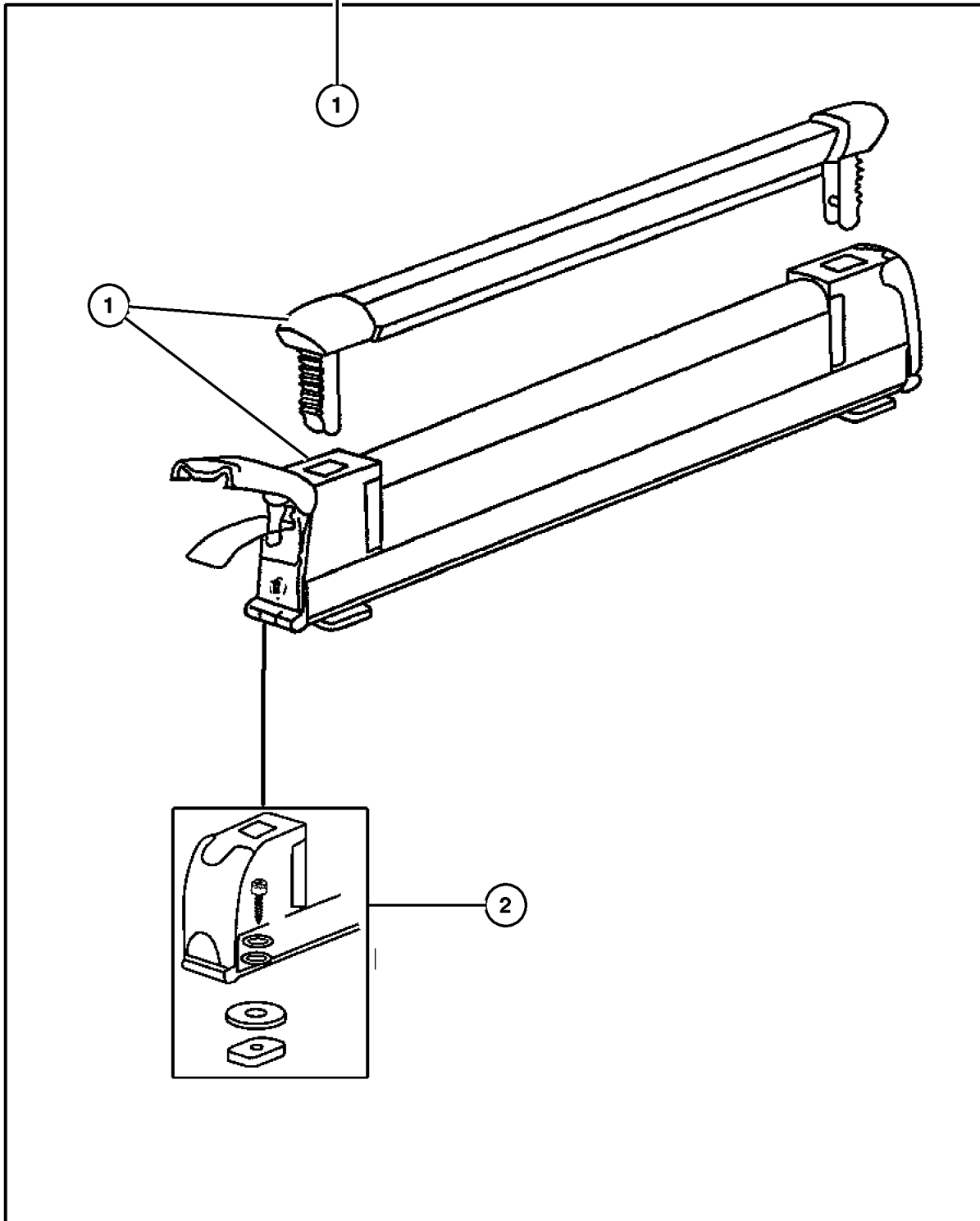
SERIES	LINE	BODY	ENGINE	TRANSMISSION
H = Laredo	J = 4WD	74 = 4 Door	ERH = 4.0L, Power Tech I-6	DGK = 4 Speed Auto, 42RE
M = Sport	T = 2WD		EVA = 4.7L Power Tech V8	DGQ = 5 Speed Auto, 45RFE
P = Limited			EVC = 4.7L HO V8 MPI	DG0 = All Automatic Trans
S = Overland			ER0 = All 4.0L 6 Cyl Gas	
			EVO = All 4.7l Gas	

AR = Use as required - = Non illustrated part # = New this model year

December 1, 2003

Ski Carrier - Roof
Figure 001-236

ITEM	PART NUMBER	QTY	LINE	SERIES	BODY	ENGINE	TRANS	TRIM	DESCRIPTION
1									CARRIER KIT, Ski
	8220 7312	1							3 Pair
	8220 7308	1							6 Pair
2	5086 158AA	1							HARDWARE KIT, Accessory
-3	5066 632AA	1							TOOL, Screw Driver

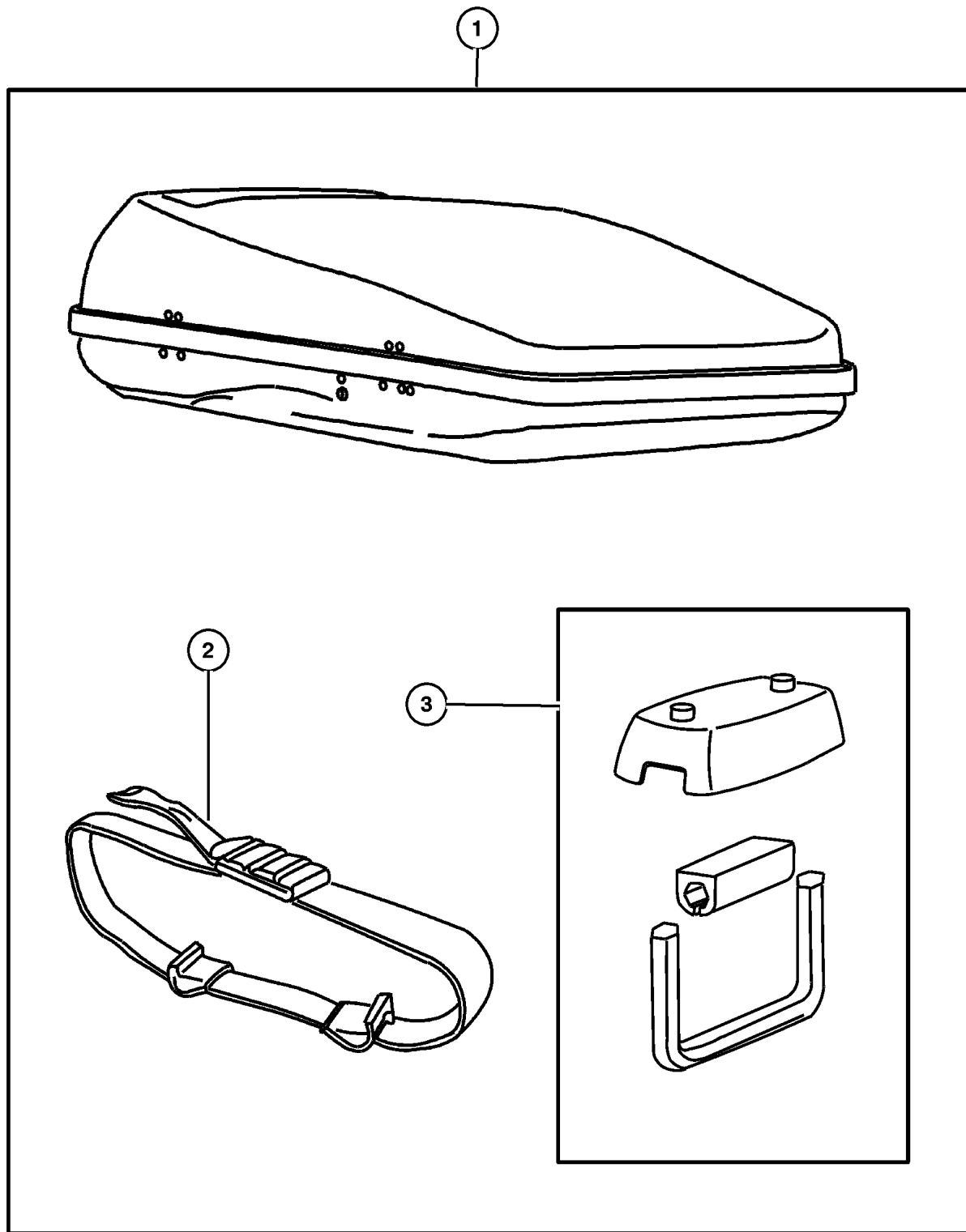


JEEP GRAND CHEROKEE (WJ)				
SERIES	LINE	BODY	ENGINE	TRANSMISSION
H = Laredo	J = 4WD	74 = 4 Door	ERH = 4.0L, Power Tech I-6	DGK = 4 Speed Auto, 42RE
M = Sport	T = 2WD		EVA = 4.7L Power Tech V8	DGQ = 5 Speed Auto, 45RFE
P = Limited			EVC = 4.7L HO V8 MPI	DG0 = All Automatic Trans
S = Overland			ER0 = All 4.0L 6 Cyl Gas	
			EVO = All 4.7l Gas	

AR = Use as required - = Non illustrated part # = New this model year

December 1, 2003

Luggage Carrier - Roof Hard Shell
Figure 001-270



ITEM	PART NUMBER	QTY	LINE	SERIES	BODY	ENGINE	TRANS	TRIM	DESCRIPTION
1									CARRIER KIT, Luggage
	8220 7353	1							31'x71' 430L
	8220 7341	1			74				28'x90' 480L
2	5086 160AA	1			74				STRAP, Cargo Tie Down
3	5086 159AA	1			74				HARDWARE KIT

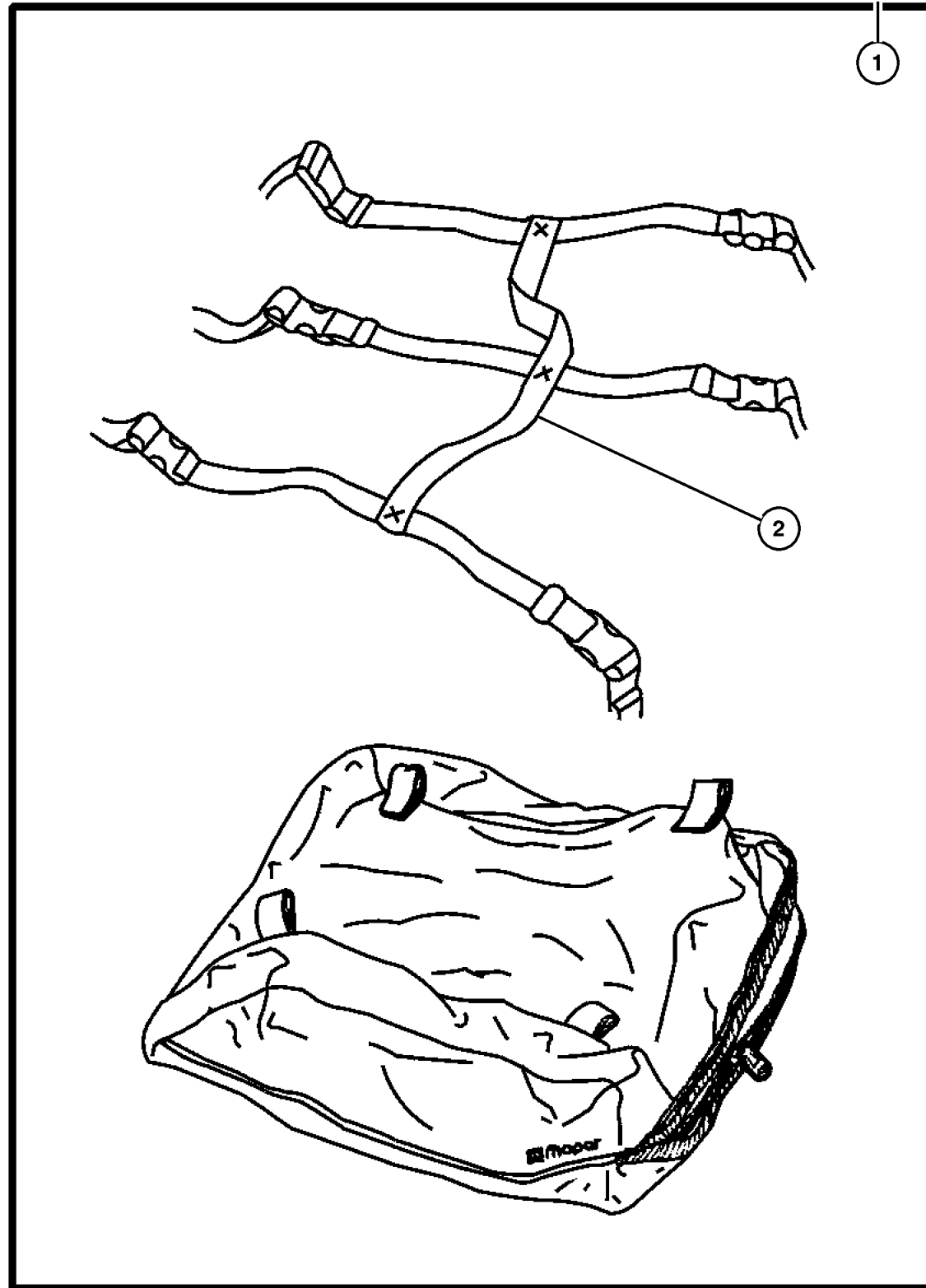
JEEP GRAND CHEROKEE (WJ)

SERIES	LINE	BODY	ENGINE	TRANSMISSION
H = Laredo	J = 4WD	74 = 4 Door	ERH = 4.0L, Power Tech I-6	DGK = 4 Speed Auto, 42RE
M = Sport	T = 2WD		EVA = 4.7L Power Tech V8	DGQ = 5 Speed Auto, 45RFE
P = Limited			EVC = 4.7L HO V8 MPI	DG0 = All Automatic Trans
S = Overland			ER0 = All 4.0L 6 Cyl Gas	
			EVO = All 4.7l Gas	

AR = Use as required - = Non illustrated part # = New this model year

December 1, 2003

Luggage Carrier - Roof Vinyl
Figure 001-274



ITEM	PART NUMBER	QTY	LINE	SERIES	BODY	ENGINE	TRANS	TRIM	DESCRIPTION
------	-------------	-----	------	--------	------	--------	-------	------	-------------

NOTE: Requires Roof Rack.

1	8220 7198	1							CARRIER KIT, Luggage
2	5066 332AA	1							STRAP KIT, Luggage Carrier

JEEP GRAND CHEROKEE (WJ)

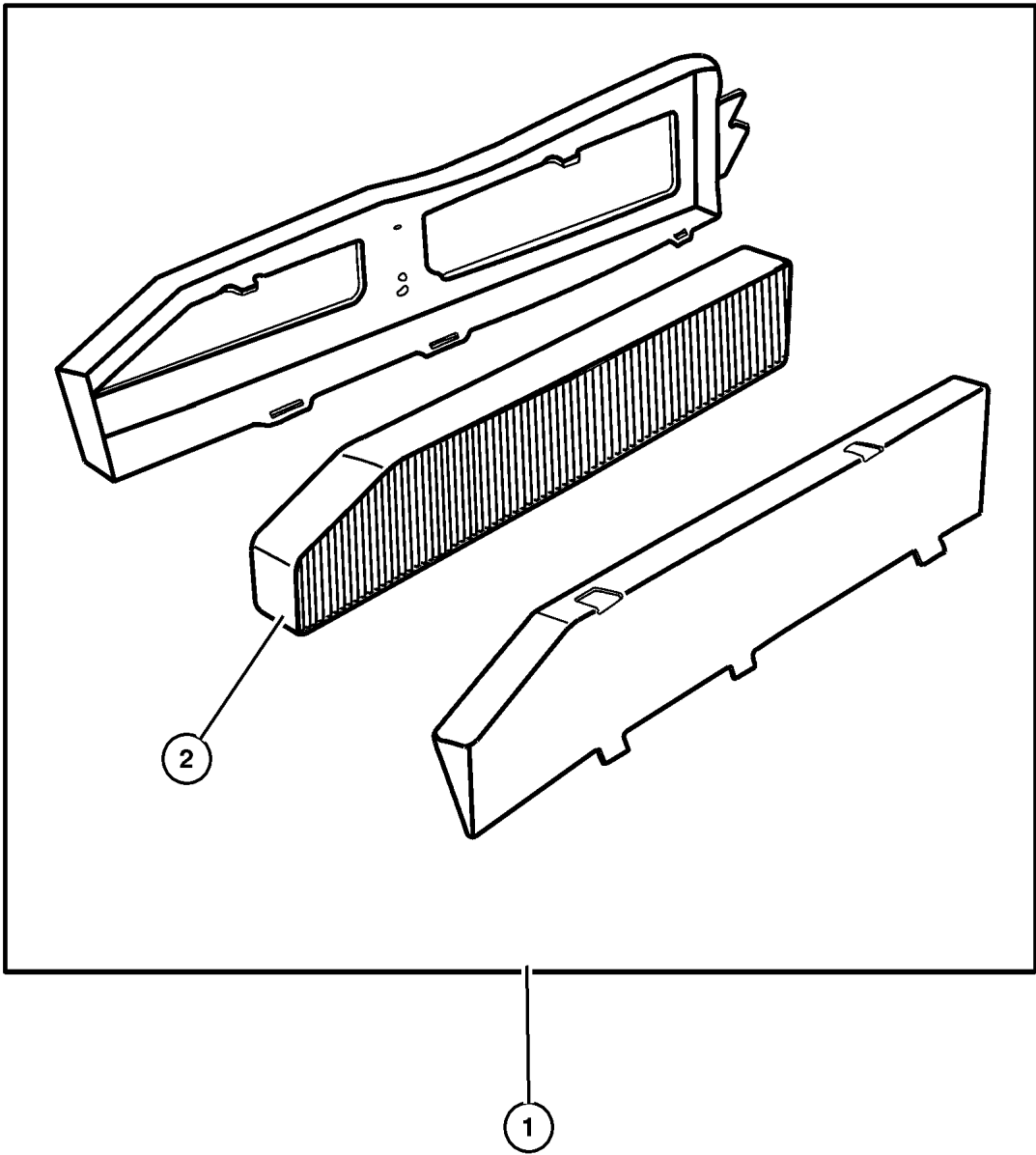
SERIES	LINE	BODY	ENGINE	TRANSMISSION
H = Laredo	J = 4WD	74 = 4 Door	ERH = 4.0L, Power Tech I-6	DGK = 4 Speed Auto, 42RE
M = Sport	T = 2WD		EVA = 4.7L Power Tech V8	DGQ = 5 Speed Auto, 45RFE
P = Limited			EVC = 4.7L HO V8 MPI	DG0 = All Automatic Trans
S = Overland			ER0 = All 4.0L 6 Cyl Gas	
			EVO = All 4.7l Gas	

AR = Use as required - = Non illustrated part # = New this model year

December 1, 2003

**Filter Kit - Cabin Air
Figure 001-315**

ITEM	PART NUMBER	QTY	LINE	SERIES	BODY	ENGINE	TRANS	TRIM	DESCRIPTION
NOTE: Triple layer filters install in the fresh air intake within the plenum area. Reduces pollen, mold & other allergens.									
NOTE: Heating, ventilating & air conditioning continue to function as designed. Recommended service 2yrs/24,000 miles.									
1	8220 4691	1	J, T		74				FILTER KIT, Cabin Air
2	5300 7386	1							FILTER, Air

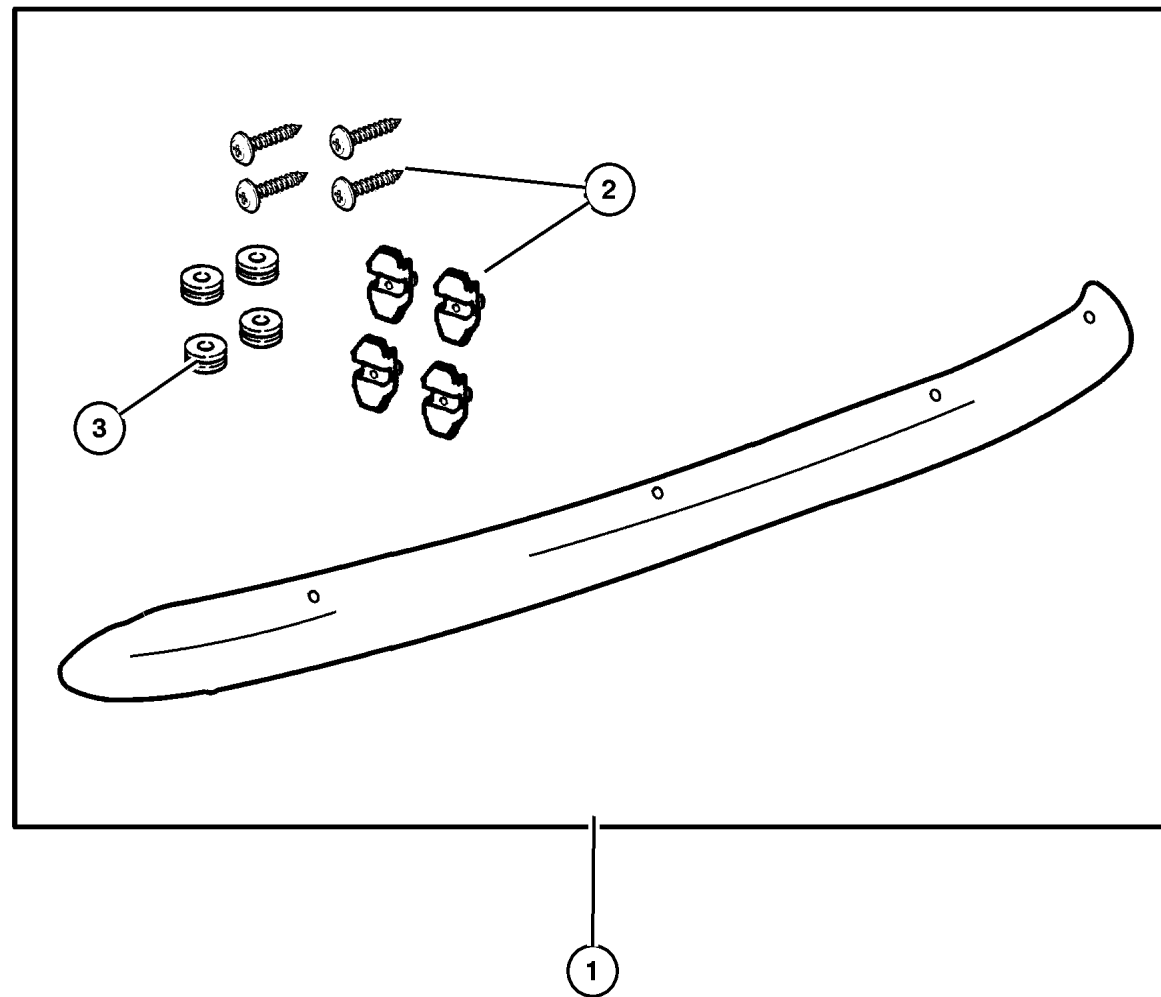


JEEP GRAND CHEROKEE (WJ)				
SERIES	LINE	BODY	ENGINE	TRANSMISSION
H = Laredo	J = 4WD	74 = 4 Door	ERH = 4.0L, Power Tech I-6	DGK = 4 Speed Auto, 42RE
M = Sport	T = 2WD		EVA = 4.7L Power Tech V8	DGQ = 5 Speed Auto, 45RFE
P = Limited			EVC = 4.7L HO V8 MPI	DG0 = All Automatic Trans
S = Overland			ER0 = All 4.0L 6 Cyl Gas	
			EVO = All 4.7l Gas	

AR = Use as required - = Non illustrated part # = New this model year

Shield Kit, Air Front
Figure 001-510

ITEM	PART NUMBER	QTY	LINE	SERIES	BODY	ENGINE	TRANS	TRIM	DESCRIPTION
NOTE: Shield Kit - Color Smoke, Material Lexan.									
1	8220 4314	1	J, T		74				SHIELD KIT, Air - Front
2	5016 373AA	1	J, T		74				RETAINER, Accessories
3	5014 754AA	1	J, T		74				SPACER, Air Deflector

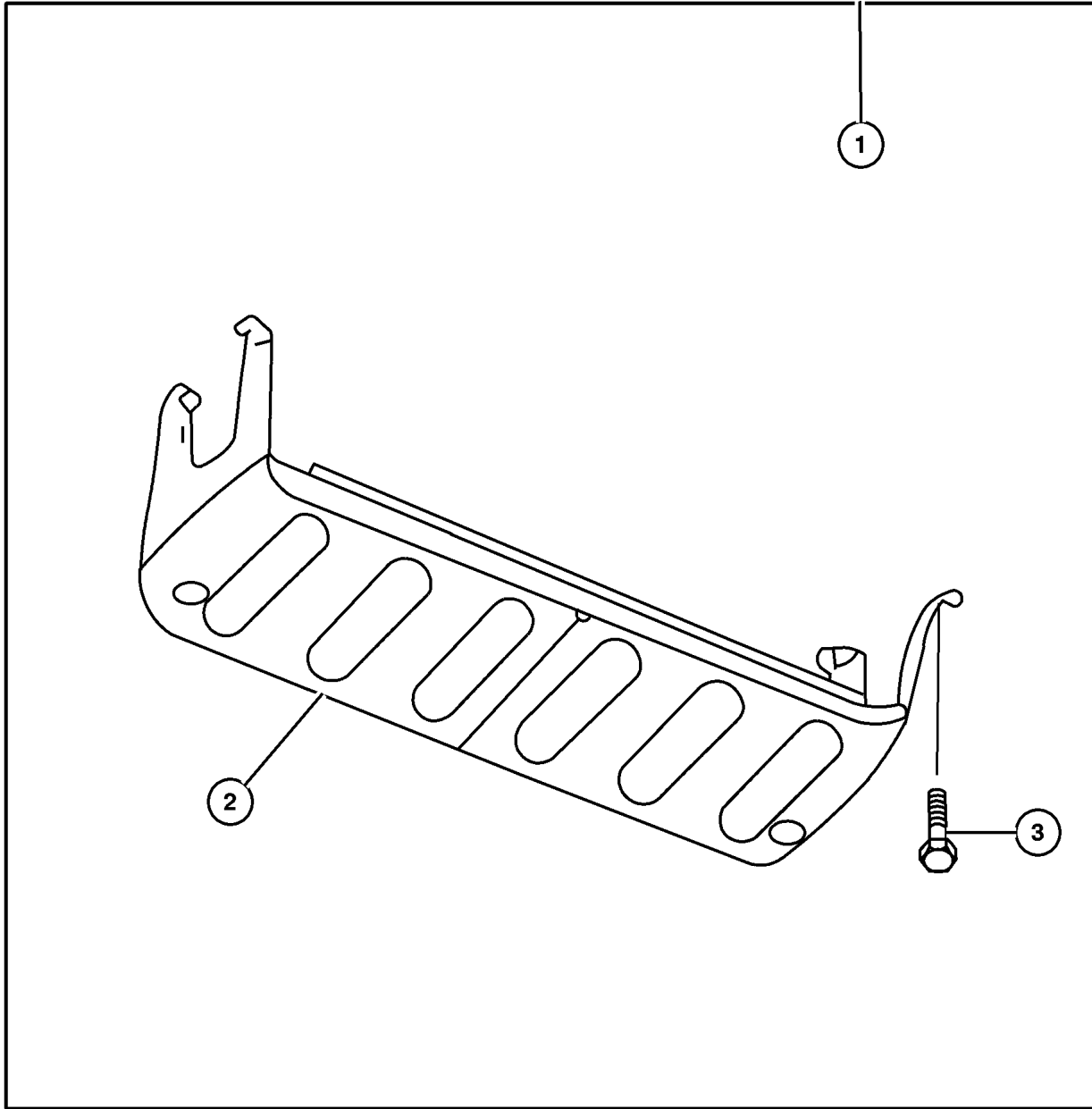


JEEP GRAND CHEROKEE (WJ)				
SERIES	LINE	BODY	ENGINE	TRANSMISSION
H = Laredo	J = 4WD	74 = 4 Door	ERH = 4.0L, Power Tech I-6	DGK = 4 Speed Auto, 42RE
M = Sport	T = 2WD		EVA = 4.7L Power Tech V8	DGQ = 5 Speed Auto, 45RFE
P = Limited			EVC = 4.7L HO V8 MPI	DG0 = All Automatic Trans
S = Overland			ER0 = All 4.0L 6 Cyl Gas	
			EVO = All 4.7l Gas	

AR = Use as required - = Non illustrated part # = New this model year

Skid Plate Package - Front
Figure 001-520

ITEM	PART NUMBER	QTY	LINE	SERIES	BODY	ENGINE	TRANS	TRIM	DESCRIPTION
1	8220 8305	1			74				PLATE PACKAGE, Skid - Front
2	#52080 217AB	1	J						SKID PLATE, Front
3	6505 961AA	4	J						SCREW AND WASHER, Hex Head, M10x1.5x40



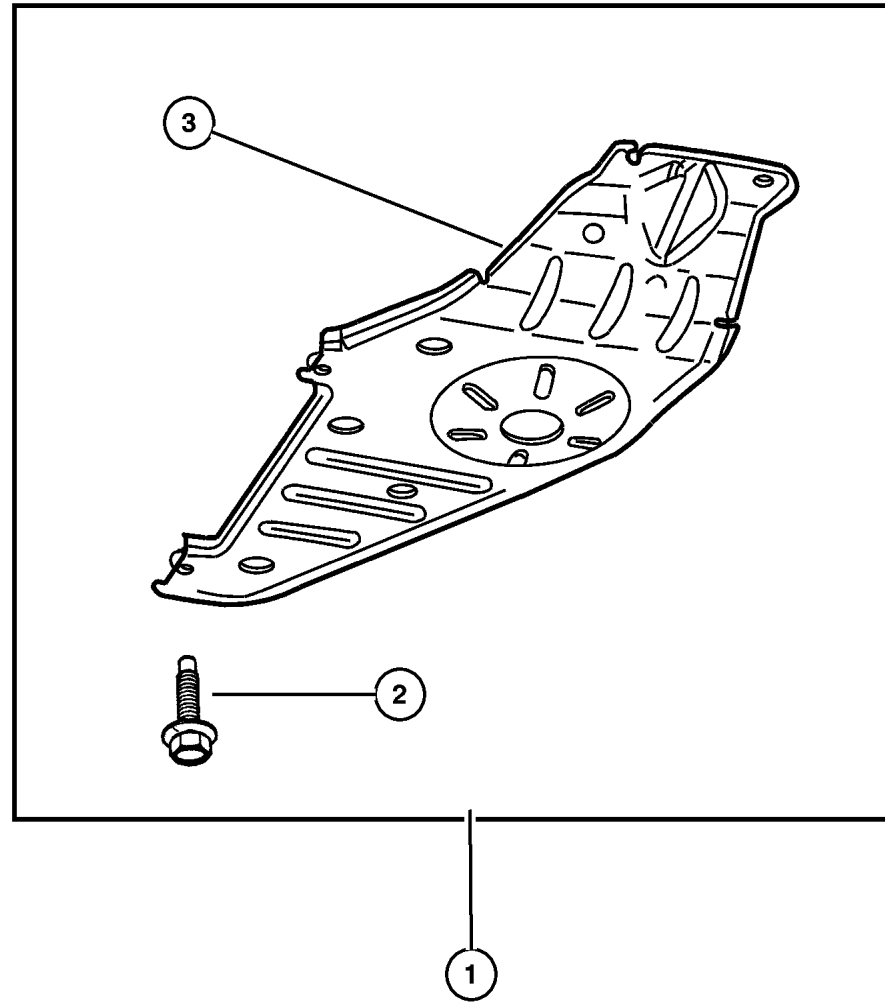
JEEP GRAND CHEROKEE (WJ)				
SERIES	LINE	BODY	ENGINE	TRANSMISSION
H = Laredo	J = 4WD	74 = 4 Door	ERH = 4.0L, Power Tech I-6	DGK = 4 Speed Auto, 42RE
M = Sport	T = 2WD		EVA = 4.7L Power Tech V8	DGQ = 5 Speed Auto, 45RFE
P = Limited			EVC = 4.7L HO V8 MPI	DG0 = All Automatic Trans
S = Overland			ER0 = All 4.0L 6 Cyl Gas	
			EVO = All 4.7l Gas	

AR = Use as required - = Non illustrated part # = New this model year

December 1, 2003

**Skid Plate Package - Transfer Case
Figure 001-522**

ITEM	PART NUMBER	QTY	LINE	SERIES	BODY	ENGINE	TRANS	TRIM	DESCRIPTION
1	8220 4489	1	J		74				PLATE PACKAGE, Skid - Transfer Case
2	6503 571	4							SCREW AND WASHER, M10x1.50x35
3	5205 8922	1	J						SKID PLATE, Transfer Case
-4	5013 886AA	1	J		74				TOOL, Rivnut



JEEP GRAND CHEROKEE (WJ)

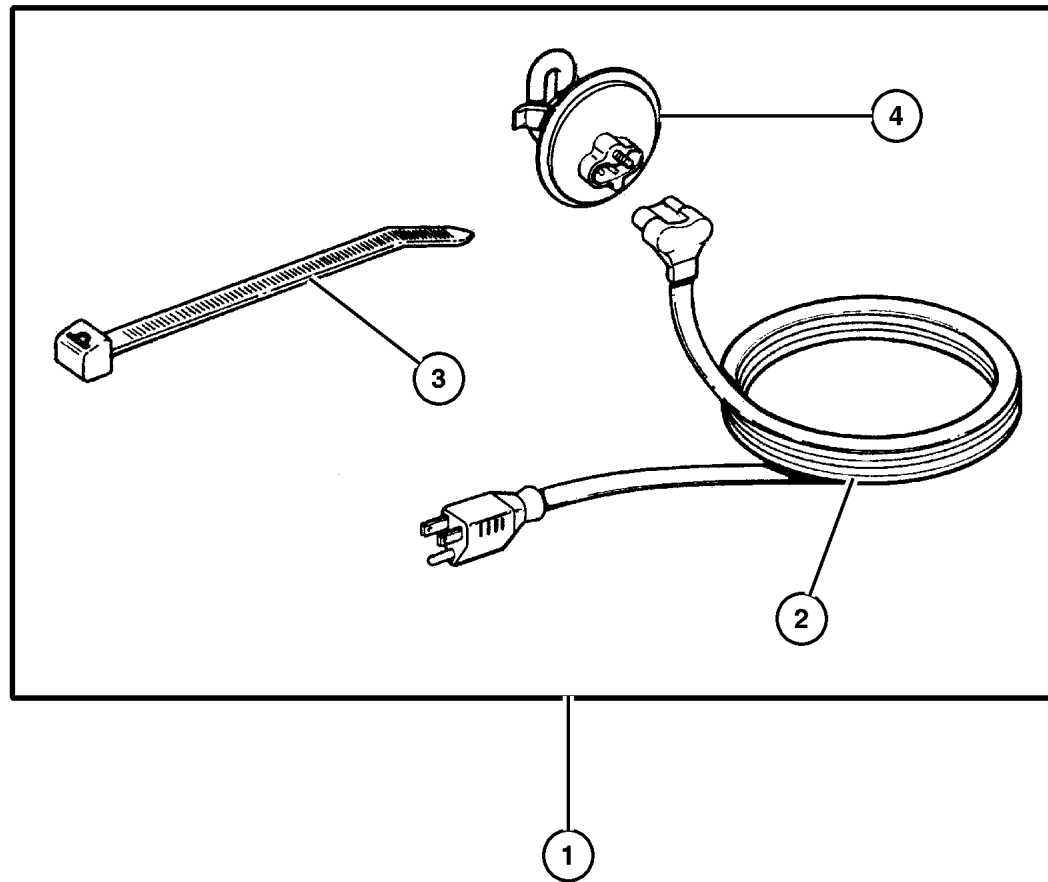
SERIES	LINE	BODY	ENGINE	TRANSMISSION
H = Laredo	J = 4WD	74 = 4 Door	ERH = 4.0L, Power Tech I-6	DGK = 4 Speed Auto, 42RE
M = Sport	T = 2WD		EVA = 4.7L Power Tech V8	DGQ = 5 Speed Auto, 45RFE
P = Limited			EVC = 4.7L HO V8 MPI	DG0 = All Automatic Trans
S = Overland			ER0 = All 4.0L 6 Cyl Gas	
			EVO = All 4.7l Gas	

AR = Use as required - = Non illustrated part # = New this model year

December 1, 2003

Heater Kit
Figure 001-610

ITEM	PART NUMBER	QTY	LINE	SERIES	BODY	ENGINE	TRANS	TRIM	DESCRIPTION
1									HEATER PACKAGE, Engine Block
	8220 1506	1							4.0L Engine
	8220 3640	1	J, T		74				
2									CORD, Engine Block Heater
	J575 2677	1							4.0L Engine
	5602 7117	1							4.7L Engine
3	5600 8876	1							STRAP, Tie, 4.0L Engine
4									HEATER, Engine Block, Serviced In Assembly , (NOT SERVICED) (Not Serviced)

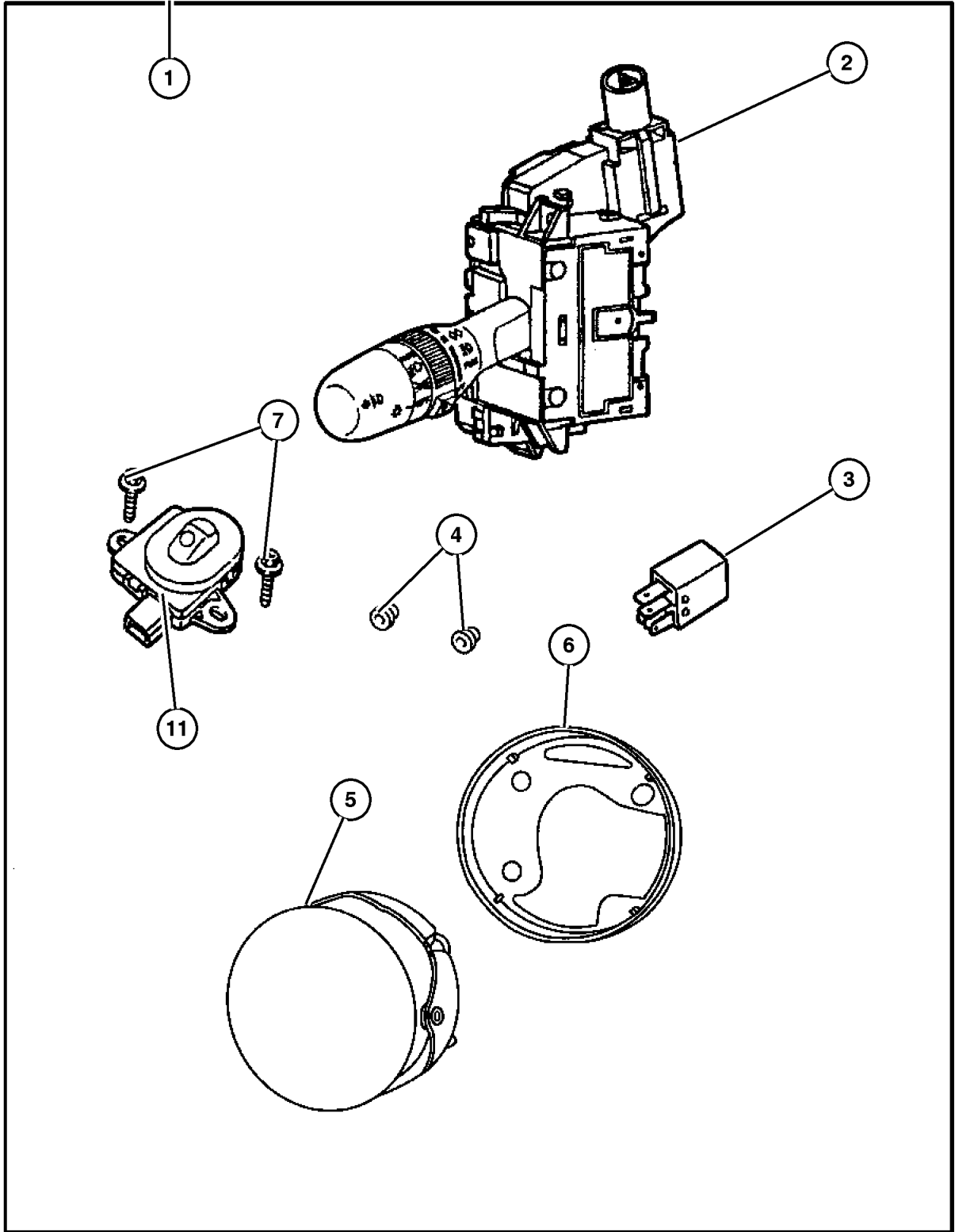


JEEP GRAND CHEROKEE (WJ)				
SERIES	LINE	BODY	ENGINE	TRANSMISSION
H = Laredo	J = 4WD	74 = 4 Door	ERH = 4.0L, Power Tech I-6	DGK = 4 Speed Auto, 42RE
M = Sport	T = 2WD		EVA = 4.7L Power Tech V8	DGQ = 5 Speed Auto, 45RFE
P = Limited			EVC = 4.7L HO V8 MPI	DG0 = All Automatic Trans
S = Overland			ER0 = All 4.0L 6 Cyl Gas	
			EVO = All 4.7l Gas	

AR = Use as required - = Non illustrated part # = New this model year

December 1, 2003

**Light Package - Fog
Figure 001-615**



ITEM	PART NUMBER	QTY	LINE	SERIES	BODY	ENGINE	TRANS	TRIM	DESCRIPTION
NOTE:									
Items 12 thru 15 are additional parts contained in Light Package 82207798									
1	#8220 8252	1			74				LIGHT PACKAGE, Fog
2	56042 302AG	1							SWITCH, Multifunction
3	4671 168	1			74				RELAY, Mini
4	6506 579AA	6							SCREW, Fog Lamp
5	#50010 189AA	1							BEZEL, Fog Lamp
6	#55156 733AB	2							LAMP, Fog
7	6101 946	2							SCREW, Tapping
-8									WIRING, Fog Lamp, See Note, (NOT SERVICED) (Not Serviced)
-9	4641 780	1			74				STRAP, Tie
-10	3420 1631	6							RIVET, M6.25x28 Black
11	56042 584AA	1							SENSOR, Headlamp

JEEP GRAND CHEROKEE (WJ)

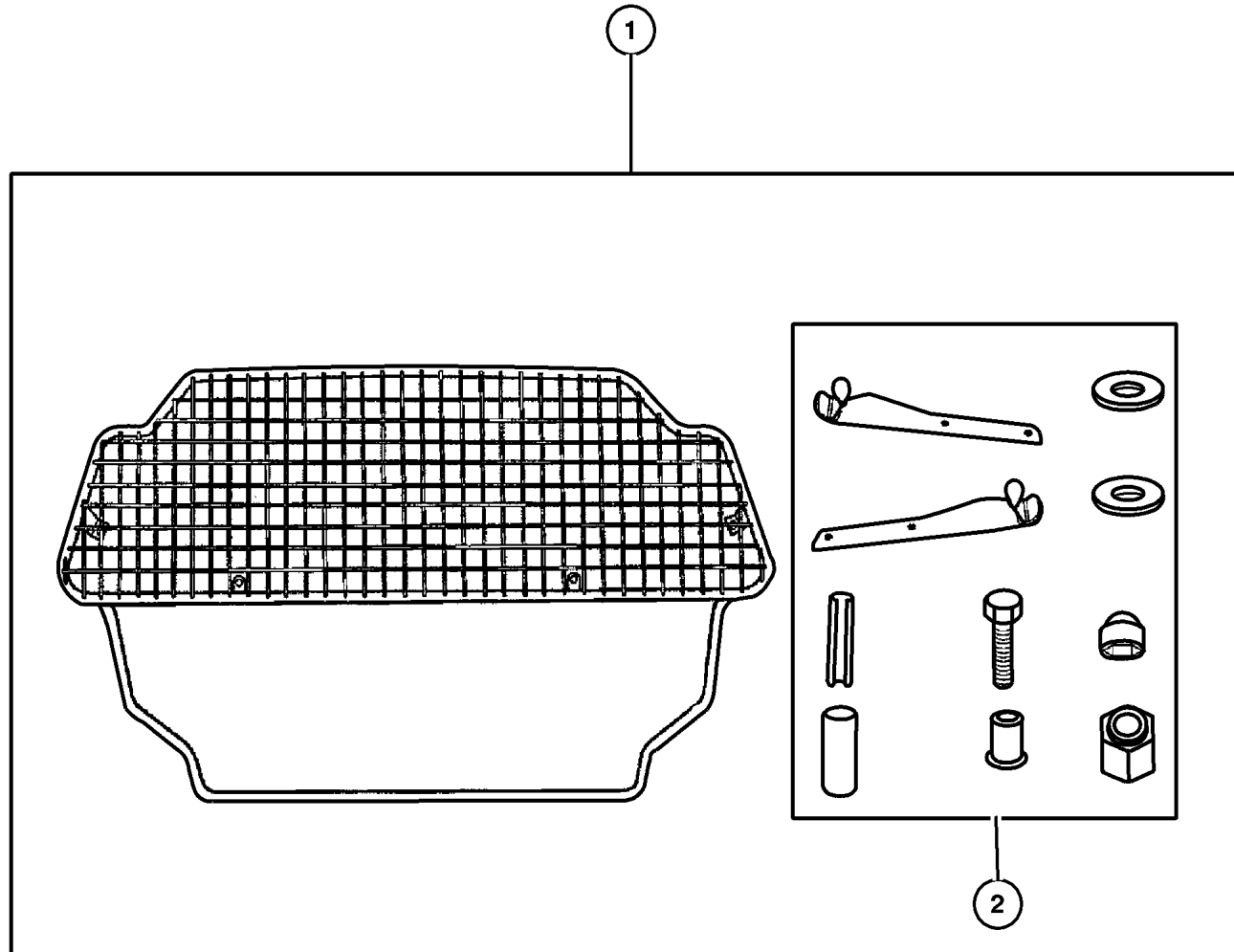
SERIES	LINE	BODY	ENGINE	TRANSMISSION
H = Laredo	J = 4WD	74 = 4 Door	ERH = 4.0L, Power Tech I-6	DGK = 4 Speed Auto, 42RE
M = Sport	T = 2WD		EVA = 4.7L Power Tech V8	DGQ = 5 Speed Auto, 45RFE
P = Limited			EVC = 4.7L HO V8 MPI	DG0 = All Automatic Trans
S = Overland			ER0 = All 4.0L 6 Cyl Gas	
			EVO = All 4.7l Gas	

AR = Use as required - = Non illustrated part # = New this model year

December 1, 2003

Guard Kit - Dog
Figure 001-820

ITEM	PART NUMBER	QTY	LINE	SERIES	BODY	ENGINE	TRANS	TRIM	DESCRIPTION
1	8220 7563	1							GUARD KIT, Dog Guard, Upper
2	5086 023AA	1							HARDWARE KIT, Load Partition



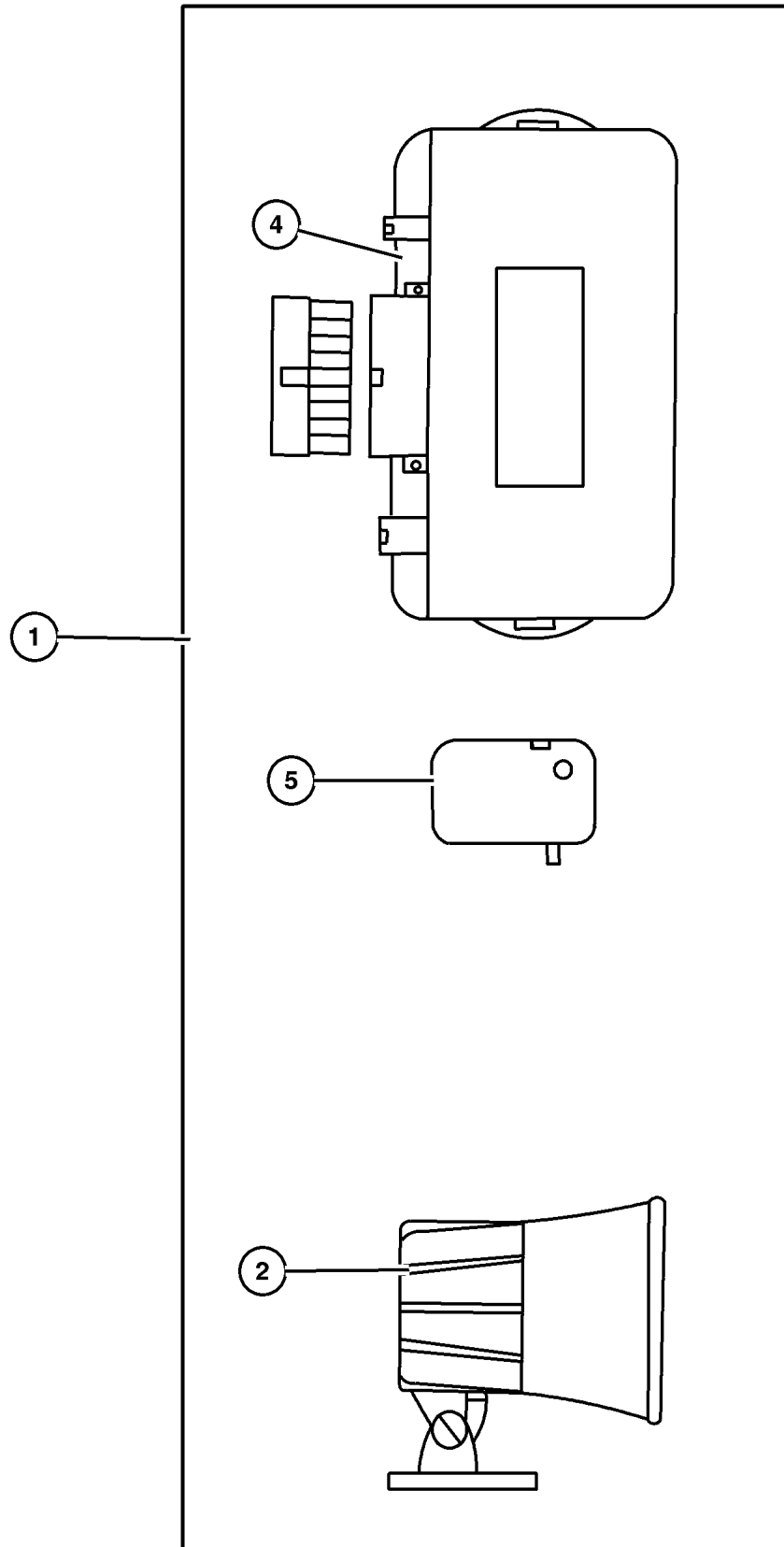
JEEP GRAND CHEROKEE (WJ)

SERIES	LINE	BODY	ENGINE	TRANSMISSION
H = Laredo	J = 4WD	74 = 4 Door	ERH = 4.0L, Power Tech I-6	DGK = 4 Speed Auto, 42RE
M = Sport	T = 2WD		EVA = 4.7L Power Tech V8	DGQ = 5 Speed Auto, 45RFE
P = Limited			EVC = 4.7L HO V8 MPI	DG0 = All Automatic Trans
S = Overland			ER0 = All 4.0L 6 Cyl Gas	
			EVO = All 4.7l Gas	

AR = Use as required - = Non illustrated part # = New this model year

December 1, 2003

**Alarm - EVS Plus System
Figure 001-914**



ITEM	PART NUMBER	QTY	LINE	SERIES	BODY	ENGINE	TRANS	TRIM	DESCRIPTION
1	8220 4268	1	J, T		74				MODULE, Security Alarm
2	8220 3198	1	J, T		74				SIREN, Alarm
-3	4886 259AA	1	J, T		74				INDICATOR, Valet Status
4	5011 619AA	1	J, T		74				MODULE, Security Alarm
5	4886 260AB	1	J, T		74				SENSOR, Shock, With Terminals

JEEP GRAND CHEROKEE (WJ)

SERIES	LINE	BODY	ENGINE	TRANSMISSION
H = Laredo	J = 4WD	74 = 4 Door	ERH = 4.0L, Power Tech I-6	DGK = 4 Speed Auto, 42RE
M = Sport	T = 2WD		EVA = 4.7L Power Tech V8	DGQ = 5 Speed Auto, 45RFE
P = Limited			EVC = 4.7L HO V8 MPI	DG0 = All Automatic Trans
S = Overland			ER0 = All 4.0L 6 Cyl Gas	
			EVO = All 4.7l Gas	

AR = Use as required - = Non illustrated part # = New this model year

December 1, 2003

Group – 002

Front Suspension & Drive

GROUP 2 - Front Suspension & Drive

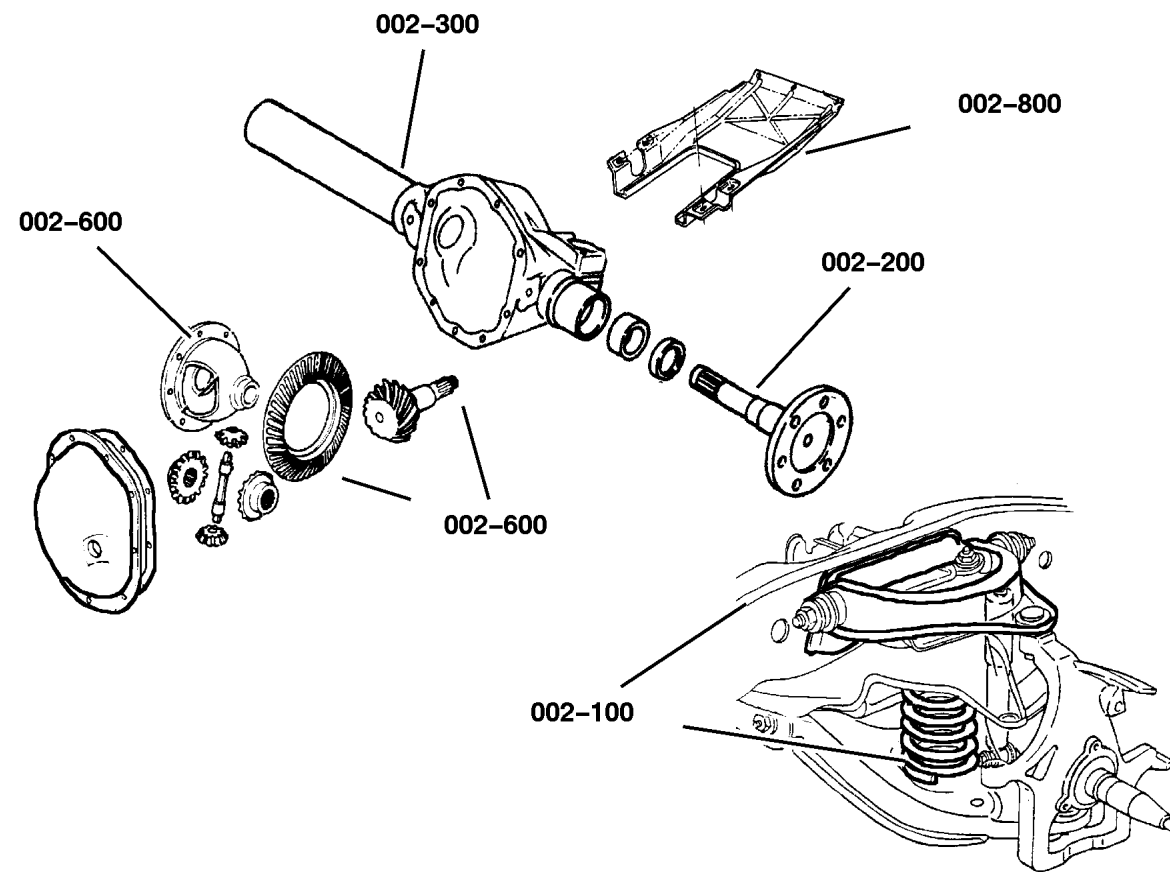


Illustration Title

Group-Fig. No.

Front Suspension

Suspension, Front Springs with Control Arms and Shocks Fig. 002-110

Front Stabilizer Bar and Track Bar Fig. 002-120

Front Axle Drive Shafts

Front Axle Shafts Fig. 002-210

Front Axle Housing

Housing, Front Axle, 2 Wheel Drive Fig. 002-310

Housing, Front Axle, 4 Wheel Drive Fig. 002-320

Front Axle Assembly

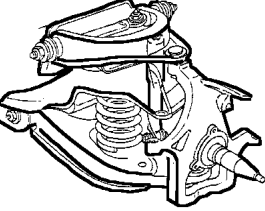
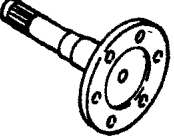
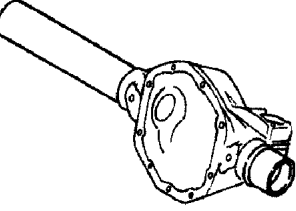
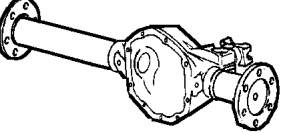
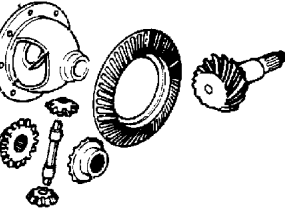
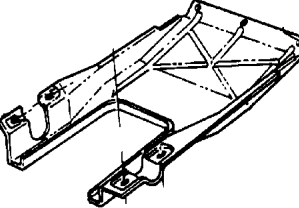
Front Axle Assembly Fig. 002-410

Front Axle Differential

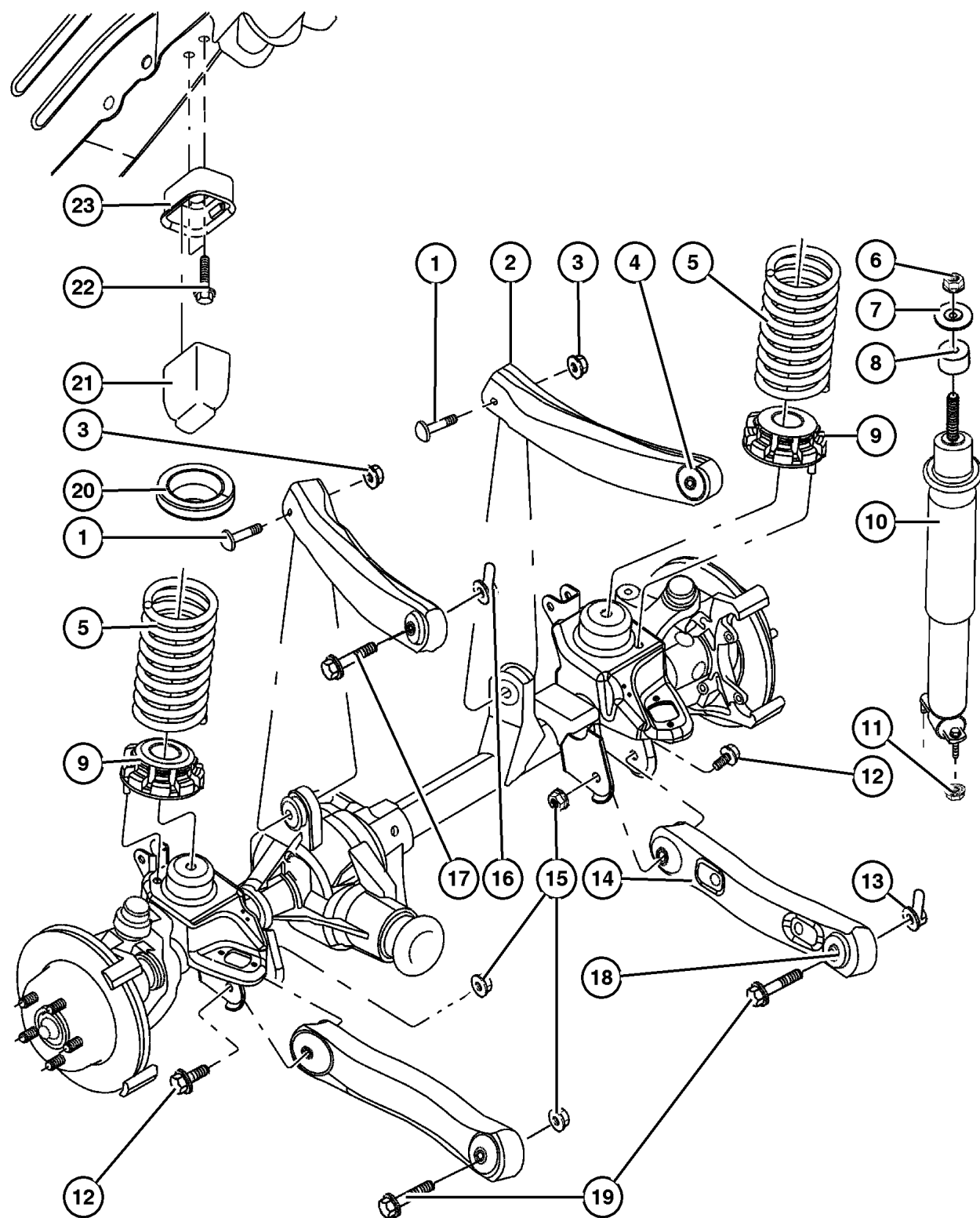
Differential, Front Axle Fig. 002-610

Front Axle Skid Plate

Skid Plate, Front Axle Fig. 002-810

<p>002-100 Front Suspension</p> 	<p>002-200 Front Axle Drive Shafts</p> 	<p>002-300 Front Axle Housing</p> 	<p>002-400 Front Axle Assembly</p> 
<p>002-600 Front Axle Differential</p> 	<p>002-800 Front Axle Skid Plate</p> 		

Suspension, Front Springs with Control Arms and Shocks Figure 002-110



ITEM	PART NUMBER	QTY	LINE	SERIES	BODY	ENGINE	TRANS	TRIM	DESCRIPTION
Note: Sales Codes;									
[SDA]=Suspension - Quadra Coil									
[SDU]=Heavy Duty Suspension									
[ZKE] To [ZZH]=Spring Sales Codes will be found on Vehicle Identification Number [VIN] Sales Code Listing.									
1	6505 306AA	2							SCREW, Truss Head, M10x1.5x70, UCA to Axle, Mounting
2	52088 208AD	2							ARM, Control, with Bushing, Upper
3	6502 696	2							NUT, Hex Flange Lock, M10x1.5, UCA to Axle, Mounting
4	5208 8214	2							BUSHING, Control Arm, To Sill
5									SPRING, Front Coil
	52080 399AA	1							[ZLH,ZZH]
	5208 8262	1							[ZKE,ZYE]
	5208 8263	1							[ZKF,ZYF]
	5208 8264	1							[ZKG,ZYG]
	5208 8265	1							[ZKH,ZYH]
	5208 8267	1							[ZLE,ZZE]
	5208 8268	1							[ZLF,ZZF]
	5208 8269	1							[ZKJ,ZYJ]
	5208 9421	1							[ZLG,ZZG]
6	6506 443AA	2							NUT, Nylock Hex, M10x1.5, Shock Mounting, Upper
7	5208 8517	2							RETAINER, Shock Absorber, Upper
8	52088 289AB	2							GROMMET, Shock Absorber, Upper
9	5208 8401	2							ISOLATOR, Front Suspension
10									Spring, Lower
									SHOCK ABSORBER PACKAGE, Suspension, Front
	5014 730AK	2							[SDA]
	#5014 732AG	2							[SDU]
11	6101 695	4							NUT, Hex Flange Lock, Shock Mounting, Lower
12	6505 214AA	2							SCREW, Hex Flange Head, M14x2.00x114, LCA to Axle, Mounting
13	6505 439AA	1							NUT AND RETAINER, Hex Flange Locking, M14 x 2.00, LCA to Right Sill, Mounting
14	52088 217AB	2							ARM, Control, with Bushing, Lower
15	6502 698	3							NUT, Hex Flange Lock, LCA to Axle and Left Sill, Mounting
16	6505 438AA	2							NUT, Hex, M10-1.5, UCA to Sill, Mounting

JEEP GRAND CHEROKEE (WJ)

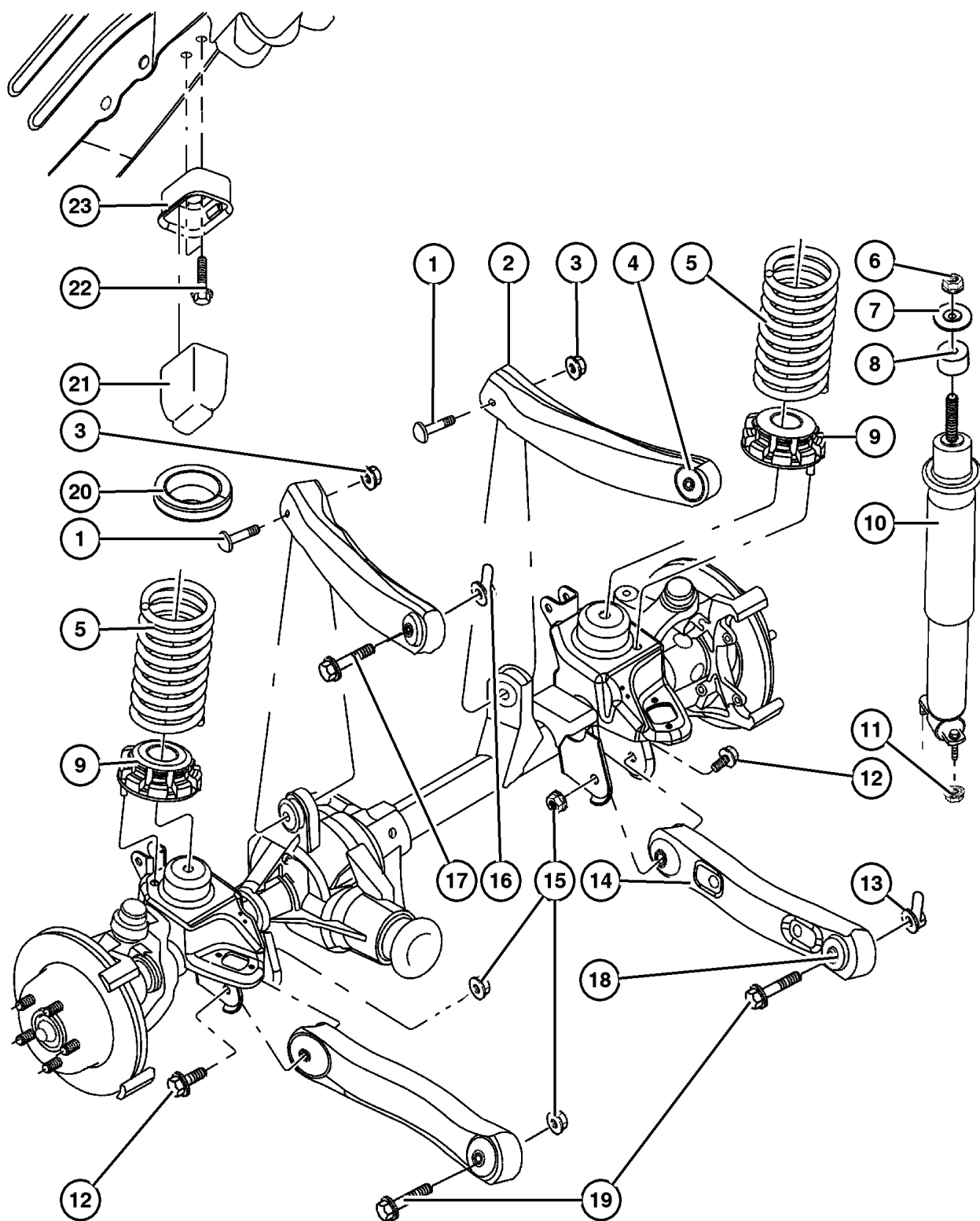
SERIES	LINE	BODY	ENGINE	TRANSMISSION
H = Laredo	J = 4WD	74 = 4 Door	ERH = 4.0L, Power Tech I-6	DGK = 4 Speed Auto, 42RE
M = Sport	T = 2WD		EVA = 4.7L Power Tech V8	DGQ = 5 Speed Auto, 45RFE
P = Limited			EVC = 4.7L HO V8 MPI	DG0 = All Automatic Trans
S = Overland			ER0 = All 4.0L 6 Cyl Gas	
			EVO = All 4.7L Gas	

AR = Use as required - = Non illustrated part # = New this model year

December 1, 2003

Suspension, Front Springs with Control Arms and Shocks Figure 002-110

ITEM	PART NUMBER	QTY	LINE	SERIES	BODY	ENGINE	TRANS	TRIM	DESCRIPTION
17	6505 472AA	2							SCREW, Hex Flange Head, M10x1.50x81, UCA to Sill, Mounting
18	5208 8220	2							BUSHING, Control Arm, LCA to Sill, Mounting
19	6506 033AA	2							BOLT, Hex Flange Head, M14x2.0x105, LCA to Sill, Mounting
20	52088 257AB	2							ISOLATOR, Front Suspension Spring, Upper
21	5208 8256	2							BUMPER, Jounce, Upper
22	6100 584	4							BOLT AND CONED WASHER, Hex Head, M8x30x20, Upper
23	5208 8254	2							CUP, Jounce Bumper, Upper



JEEP GRAND CHEROKEE (WJ)

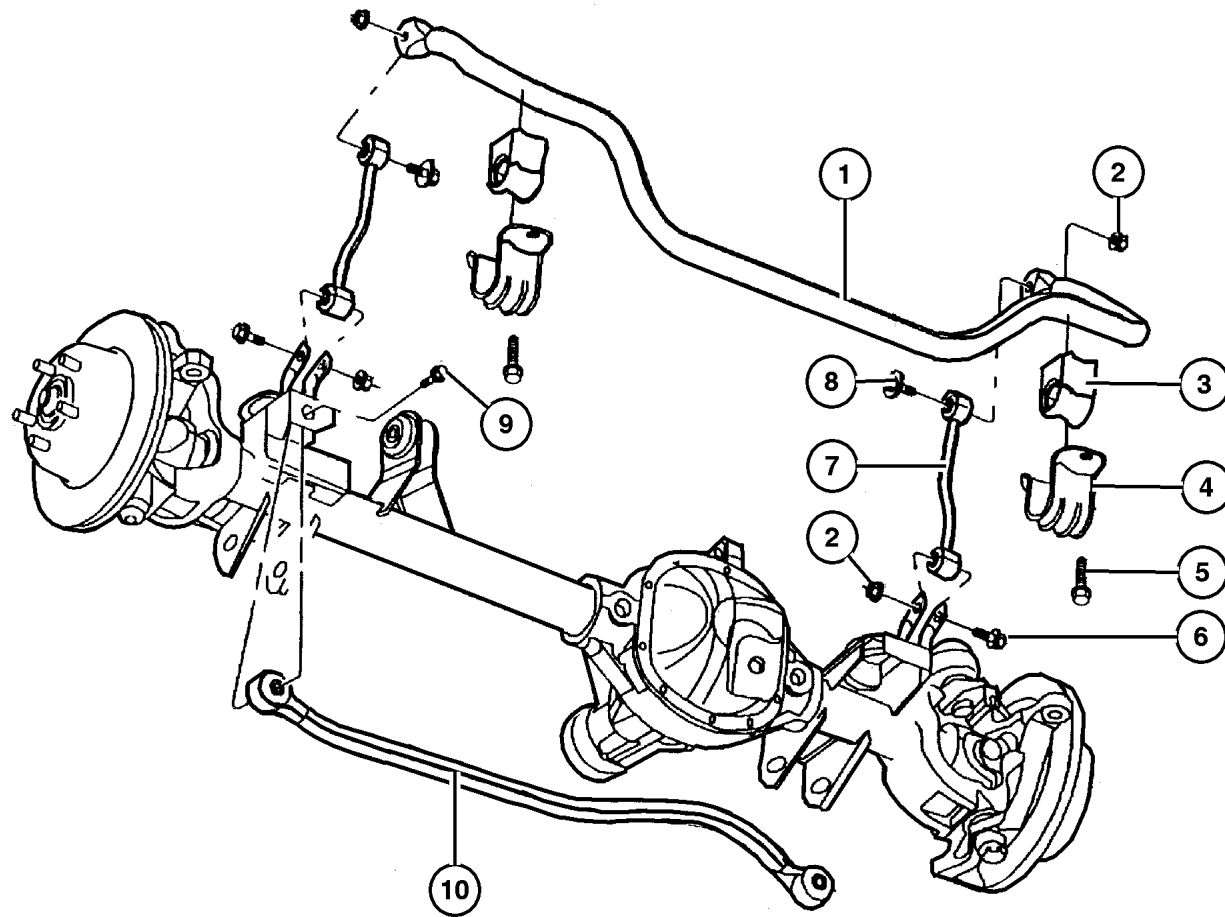
SERIES	LINE	BODY	ENGINE	TRANSMISSION
H = Laredo	J = 4WD	74 = 4 Door	ERH = 4.0L, Power Tech I-6	DGK = 4 Speed Auto, 42RE
M = Sport	T = 2WD		EVA = 4.7L Power Tech V8	DGQ = 5 Speed Auto, 45RFE
P = Limited			EVC = 4.7L HO V8 MPI	DG0 = All Automatic Trans
S = Overland			ER0 = All 4.0L 6 Cyl Gas	
			EVO = All 4.7L Gas	

AR = Use as required - = Non illustrated part # = New this model year

December 1, 2003

**Front Stabilizer Bar and Track Bar
Figure 002-120**

ITEM	PART NUMBER	QTY	LINE	SERIES	BODY	ENGINE	TRANS	TRIM	DESCRIPTION
1	52088 281AB	1							BAR, Front Sway
2	6502 697	4							NUT, Hex Flange Lock, M12x1.75
3	52088 284AE	2							BUSHING, Sway Bar
4	5208 8285	2							RETAINER, Sway Bar
5	6502 936	4							SCREW AND WASHER, Hex Head
									Pilot Point, M12x1.75x45
6	6502 473	2							BOLT, Hex Flange Head, M12x1.75x65
7	5208 8283	2							LINK, Sway Eliminator
8	6505 353AA	2							SCREW AND WASHER, M12x1.75x60
9	6506 147AA	1							SCREW, Hex Flange Head, M12x1.75x80, Track Bar to Axle, Mounting
10	52088 305AB	1	J						TRACK BAR, Front
-11	6505 324AA	1							BOLT AND RETAINER, M12x1.75x80, Track Bar to Body, Mounting
-12	6502 697	1							NUT, Hex Flange Lock, M12x1.75, Track Bar to Body, Mounting
-13	5017 512AA	1	J						DAMPER PACKAGE, TRACK BAR



JEEP GRAND CHEROKEE (WJ)

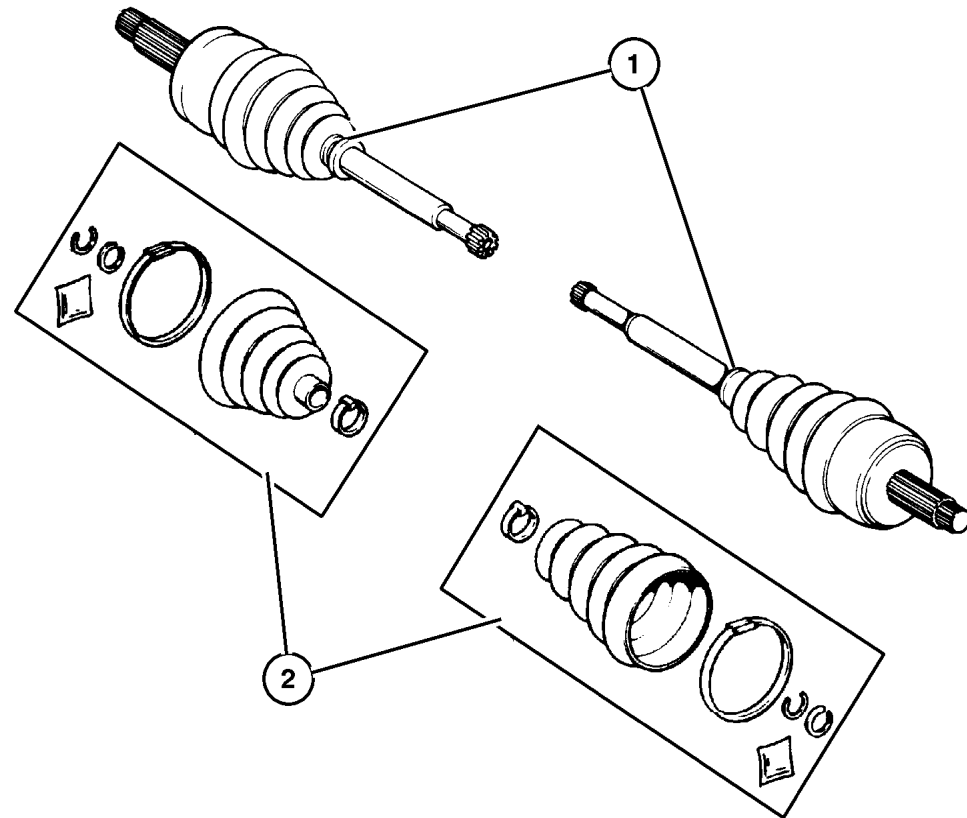
SERIES	LINE	BODY	ENGINE	TRANSMISSION
H = Laredo	J = 4WD	74 = 4 Door	ERH = 4.0L, Power Tech I-6	DGK = 4 Speed Auto, 42RE
M = Sport	T = 2WD		EVA = 4.7L Power Tech V8	DGQ = 5 Speed Auto, 45RFE
P = Limited			EVC = 4.7L HO V8 MPI	DG0 = All Automatic Trans
S = Overland			ER0 = All 4.0L 6 Cyl Gas	
			EVO = All 4.7l Gas	

AR = Use as required - = Non illustrated part # = New this model year

December 1, 2003

Front Axle Shafts Figure 002-210

ITEM	PART NUMBER	QTY	LINE	SERIES	BODY	ENGINE	TRANS	TRIM	DESCRIPTION
Note;Sales Code;									
[DSB]=Axle - Vari-Lok Progressive Front									
1									SHAFT, Axle
	5012 748AB	1	J						[DSB], Right
	5012 749AB	1	J						[DSB], Left
	5012 456AB	1	J						without [DSB], Right
	5012 457AB	1	J						without [DSB], Left
2	4796 233AB	1	J						BOOT KIT, Half Shaft, Right or Left

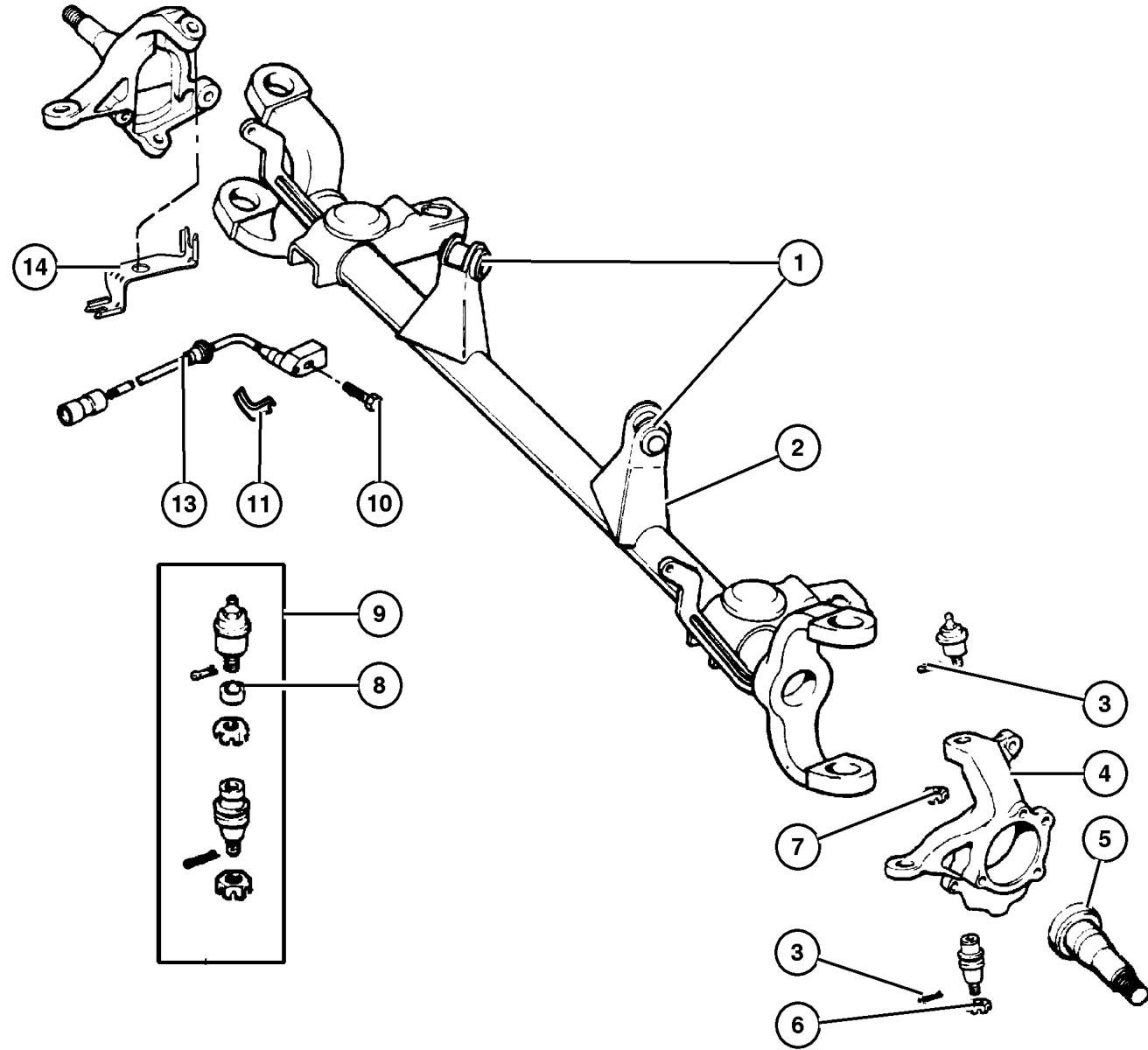


JEEP GRAND CHEROKEE (WJ)

SERIES	LINE	BODY	ENGINE	TRANSMISSION
H = Laredo	J = 4WD	74 = 4 Door	ERH = 4.0L, Power Tech I-6	DGK = 4 Speed Auto, 42RE
M = Sport	T = 2WD		EVA = 4.7L Power Tech V8	DGQ = 5 Speed Auto, 45RFE
P = Limited			EVC = 4.7L HO V8 MPI	DG0 = All Automatic Trans
S = Overland			ER0 = All 4.0L 6 Cyl Gas	
			EVO = All 4.7l Gas	

AR = Use as required - = Non illustrated part # = New this model year

Housing,Front Axle,2 Wheel Drive
Figure 002-310



ITEM	PART NUMBER	QTY	LINE	SERIES	BODY	ENGINE	TRANS	TRIM	DESCRIPTION
1	5208 8214	2	T						BUSHING, Control Arm, Upper
2	5012 433AA	1	T						HOUSING, Axle
3	1101 0069	4	T						PIN, Cotter, M4x40.00
4									KNUCKLE, Front
	5011 976AB	1	T						Right
	5011 977AB	1	T						Left
5	5012 438AA	2	T						SHAFT, Dummy, Right or Left
6	J812 3318	2	T						NUT, Ball Joint, Mounting
7	J012 5258	2	T						NUT, Steering Knuckle Socket, Ball
									Joint, Mounting
8	8350 0203	2	T						RING, Ball Joint, Upper
9									BALL JOINT KIT, Knuckle
	5012 432AA	1	T						0.0 DEGREE, Right or Left
	5014 876AC	1	T						0.5 DEGREE5, Right or Left
	5014 877AC	1	T						1.0 DEGREE5, Right or Left
	5016 972AC	1	T						1.5 DEGREE5, Right or Left
10	5012 434AA	2	T						BOLT
11									BRACKET, Brake Sensor Wire
	5014 324AA	1	T						Right
	5014 325AA	1	T						Left
-12	5014 326AA	2	T						BOLT, Sensor Wire Bracket to
									Housing, Mounting
13									SENSOR, Wheel Speed
	56041 316AB	1	T						Right
	56041 317AB	1	T						Left
14									BRACKET, Brake Sensor
	5602 6766	1	T						Right
	5602 6767	1	T						Left
-15	5602 6775	2							CLIP, Tube To Speed Sensor

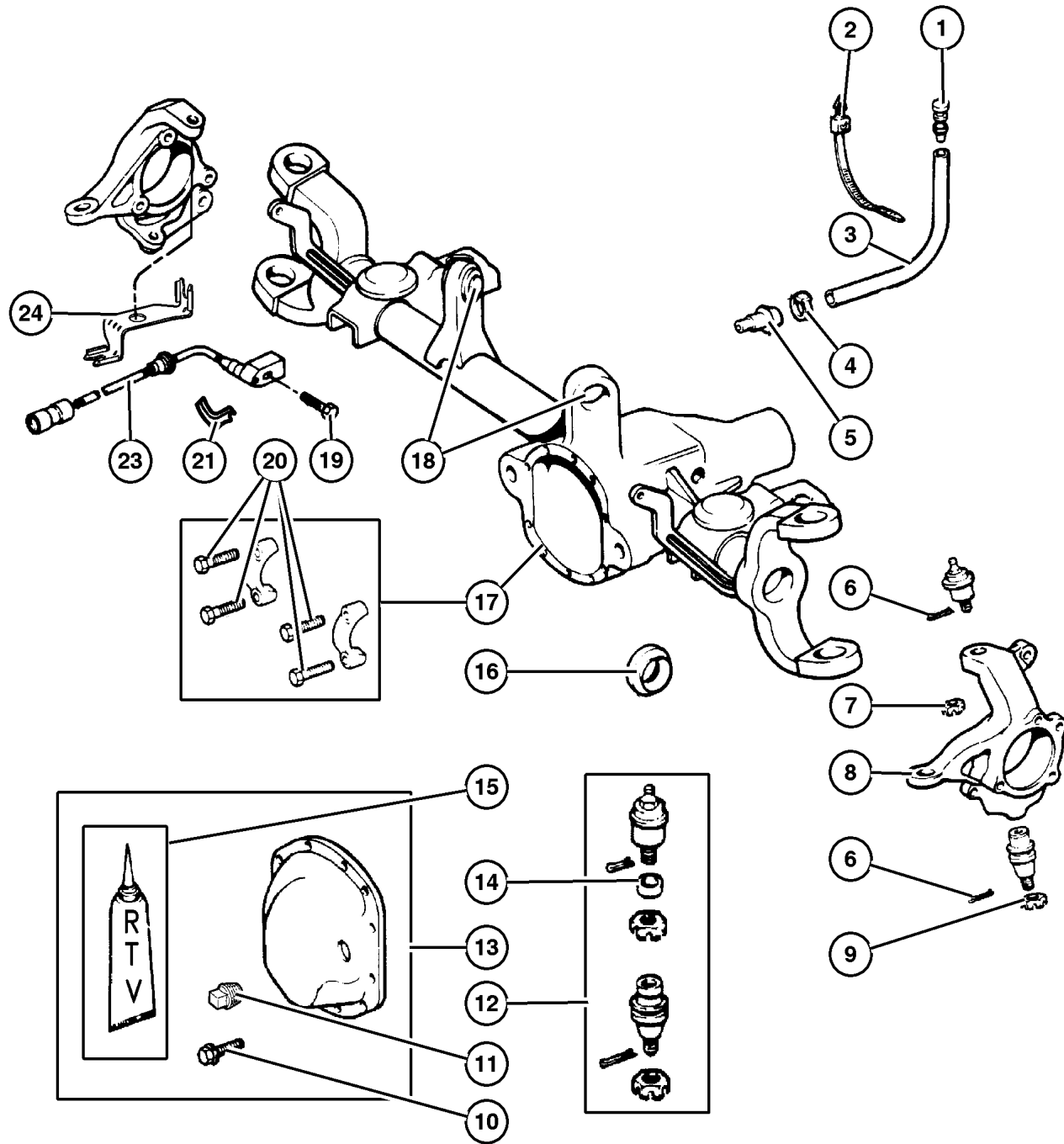
JEEP GRAND CHEROKEE (WJ)

SERIES	LINE	BODY	ENGINE	TRANSMISSION
H = Laredo	J = 4WD	74 = 4 Door	ERH = 4.0L, Power Tech I-6	DGK = 4 Speed Auto, 42RE
M = Sport	T = 2WD		EVA = 4.7L Power Tech V8	DGQ = 5 Speed Auto, 45RFE
P = Limited			EVC = 4.7L HO V8 MPI	DG0 = All Automatic Trans
S = Overland			ER0 = All 4.0L 6 Cyl Gas	
			EVO = All 4.7l Gas	

AR = Use as required - = Non illustrated part # = New this model year

December 1, 2003

Housing, Front Axle, 4 Wheel Drive Figure 002-320



ITEM	PART NUMBER	QTY	LINE	SERIES	BODY	ENGINE	TRANS	TRIM	DESCRIPTION
1	52099 257AA	1	J						VENT, Axle, Upper
2	52099 363AA	1	J						CLIP, Hose
3	HFV00 516AB	1	J						HOSE, Fuel And Vapor, 25 Foot Roll 5/16"
4	6503 573	1	J						CLIP
5	5017 482AA	1	J						VENT, Axle, Lower
6	1101 0069	4	J						PIN, Cotter, M4x40.00
7	J012 5258	2	J						NUT, Steering Knuckle Socket, Upper
8									KNUCKLE, Front Right Left
	5011 976AB	1	J						
	5011 977AB	1	J						
9	J812 3318	2	J						NUT, Lower
10	2954 031	10	J						BOLT, Differential Cover
11	J400 4751	1	J						PLUG, Differential Cover
12									BALL JOINT KIT, Knuckle 0.0 DEGREE, Right or Left 0.5 DEGREE 1.0 DEGREE, Right or Left 1.5 DEGREE, Right or Left
	5012 432AA	1	J						
	5014 876AC	1	J						
	5014 877AC	1	J						
	5016 972AC	1	J						
13	5012 451AA	1	J						COVER, Differential
14	8350 0203	2	J						RING, Ball Joint
15	5010 884AA	1	J						SEALANT, RTV
16	4874 477	2	J						SEAL, Axle Drive Shaft, Right or Left
17	5012 445AB	1	J						HOUSING, Axle
18	5208 8214	2	J						BUSHING, Control Arm, Control Arm, Upper
19	5014 326AA	2	J						BOLT, Sensor, Mounting
20	4897 482AB	4	J						BOLT, Differential
21									BRACKET, Brake Sensor Wire Right Left
	5014 324AA	1	J						
	5014 325AA	1	J						
-22	5014 326AA	2	J						BOLT, Sensor Wire Bracket to Housing, Mounting
23									SENSOR, Wheel Speed Right Left
	56041 316AB	1	J						
	56041 317AB	1	J						
24									BRACKET, Brake Sensor Right Left
	5602 6766	1	J						
	5602 6767	1	J						
-25	5602 6775	2	J						CLIP, Tube To Speed Sensor

JEEP GRAND CHEROKEE (WJ)

SERIES	LINE	BODY	ENGINE	TRANSMISSION
H = Laredo	J = 4WD	74 = 4 Door	ERH = 4.0L, Power Tech I-6	DGK = 4 Speed Auto, 42RE
M = Sport	T = 2WD		EVA = 4.7L Power Tech V8	DGQ = 5 Speed Auto, 45RFE
P = Limited			EVC = 4.7L HO V8 MPI	DG0 = All Automatic Trans
S = Overland			ER0 = All 4.0L 6 Cyl Gas	
			EVO = All 4.7L Gas	

AR = Use as required - = Non illustrated part # = New this model year

December 1, 2003

**Front Axle Assembly
Figure 002-410**

ITEM	PART NUMBER	QTY	LINE	SERIES	BODY	ENGINE	TRANS	TRIM	DESCRIPTION
------	-------------	-----	------	--------	------	--------	-------	------	-------------

Note:Sales Codes;

[DHF]=Quadra-Trac II On Demand 4 Wheel Drive System

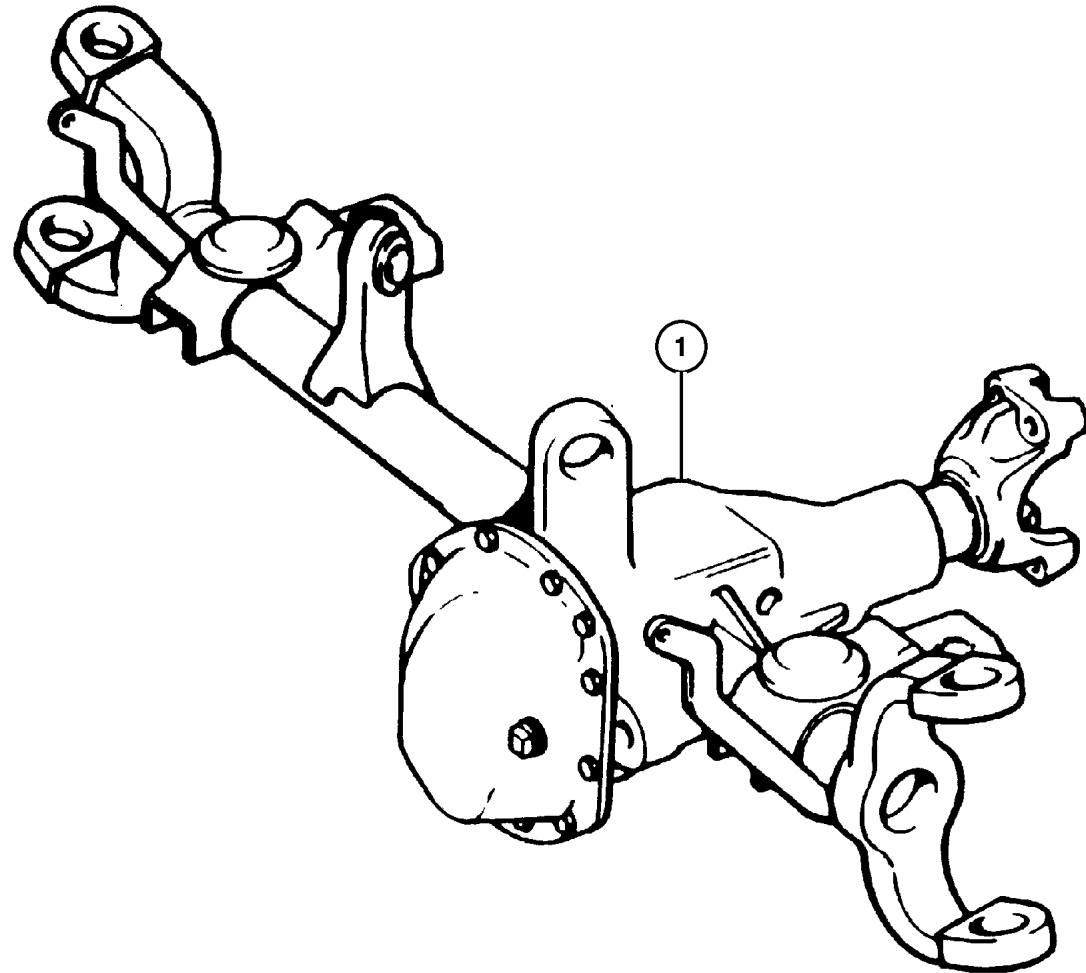
[DHP]=Selec-Trac Full Time 4 Wheel Drive System

[DMD]=Axle Ratio 3.55

[DME]=Axle Ratio 3.73

[DSB]=Axle - Vari-Lok Progressive Front

1									AXLE, Service Front
	5073 493AA	1	J						[DMD,DHF,DHP]
	5066 445AA	1	J						[DME,DHF,DHP]
	5066 449AA	1	J						[DME,DHF,DSB]



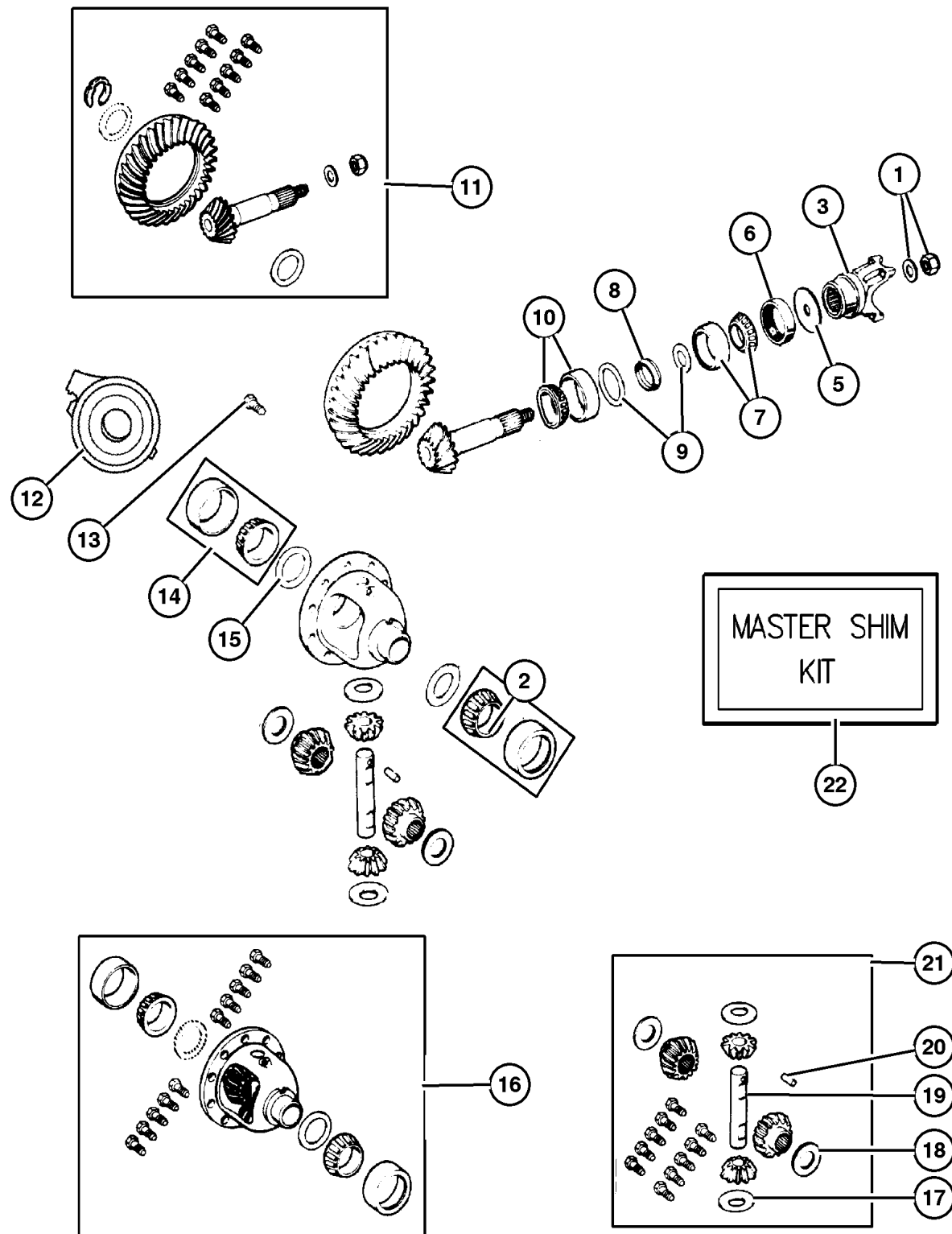
JEEP GRAND CHEROKEE (WJ)

SERIES	LINE	BODY	ENGINE	TRANSMISSION
H = Laredo	J = 4WD	74 = 4 Door	ERH = 4.0L, Power Tech I-6	DGK = 4 Speed Auto, 42RE
M = Sport	T = 2WD		EVA = 4.7L Power Tech V8	DGQ = 5 Speed Auto, 45RFE
P = Limited			EVC = 4.7L HO V8 MPI	DG0 = All Automatic Trans
S = Overland			ER0 = All 4.0L 6 Cyl Gas	
			EVO = All 4.7l Gas	

AR = Use as required - = Non illustrated part # = New this model year

December 1, 2003

Differential, Front Axle Figure 002-610



ITEM	PART NUMBER	QTY	LINE	SERIES	BODY	ENGINE	TRANS	TRIM	DESCRIPTION
Note: Sales Codes;									
[DMD]=Axle Ratio 3.55									
[DME]=Axle Ratio 3.73									
[DSB]=Axle - Vari-Lok Progressive Front									
1									NUT, Pinion Yoke
	5017 755AA	1	J						With Flange [DMD]
	1791 575	1	J						Without Flange[DME]
2	1791 576	1	J						WASHER, Pinion Yoke, DME]
3	5019 624AA	1	J						YOKE, Axle
-4	5012 453AA	1	J						O RING, Pinion Flange, Fits Over Hub of Axle Yoke
5	4031 974	1	J						SLINGER, Drive Pinion
6	5066 446AA	1	J						SEAL, Drive Pinion
7	5252 508	1	J						BEARING, Drive Pinion, Bearing and Cup, Front
8	4864 845AB	1	J						SPACER, Crush
9									SHIM, Drive Pinion Bearing, Replacement Individual PINION Shims for Master Shim Kit 5017134AA.
	5017 139AA	1	J						[.052]
	5017 150AA	1	J						[.061]
	5017 151AA	1	J						[.062]
	5017 152AA	1	J						[.063]
	5017 153AA	1	J						[.064]
	5017 154AA	1	J						[.065]
	5017 155AA	1	J						[.066]
	5017 156AA	1	J						[.067]
	5017 140AA	1	J						[.053]
	5017 141AA	1	J						[.054]
	5017 142AA	1	J						[.055]
	5017 143AA	1	J						[.056]
	5017 144AA	1	J						[.057]
	5017 145AA	1	J						[.058]
	5017 146AA	1	J						[.059]
	5017 149AA	1	J						[.060]
10	J812 6499	1	J						BEARING, Drive Pinion, Bearing and Cup, Rear
11									GEAR KIT, Ring And Pinion
	5012 476AB	1	J						[DMD]
	5012 447AB	1	J						[DME]

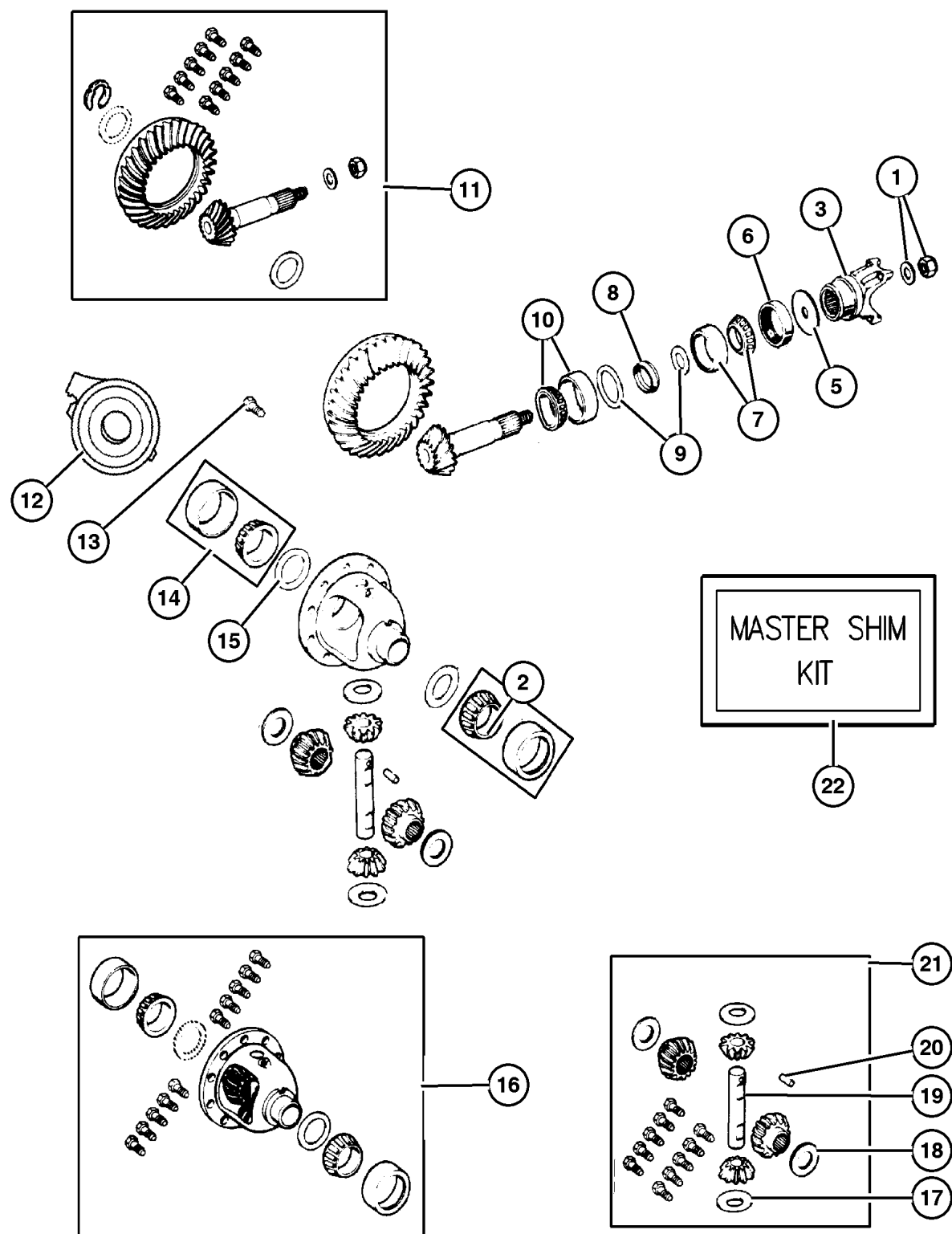
JEEP GRAND CHEROKEE (WJ)

SERIES	LINE	BODY	ENGINE	TRANSMISSION
H = Laredo	J = 4WD	74 = 4 Door	ERH = 4.0L, Power Tech I-6	DGK = 4 Speed Auto, 42RE
M = Sport	T = 2WD		EVA = 4.7L Power Tech V8	DGQ = 5 Speed Auto, 45RFE
P = Limited			EVC = 4.7L HO V8 MPI	DG0 = All Automatic Trans
S = Overland			ER0 = All 4.0L 6 Cyl Gas	
			EVO = All 4.7L Gas	

AR = Use as required - = Non illustrated part # = New this model year

December 1, 2003

Differential, Front Axle Figure 002-610



ITEM	PART NUMBER	QTY	LINE	SERIES	BODY	ENGINE	TRANS	TRIM	DESCRIPTION
12	5012 725AA	1	J						PLENUM, Differential, [DSB]
13	5252 503	10	J						SCREW, Drive Gear
14	J812 6500	1	J						BEARING, Differential, Consists of 2 Bearings and 2 Cups
15									SHIM, Differential Bearing, Replacement Individual DIFFERENTIAL Shims for Master Kit 5017134AA
	5017 218AA	1	J						[.109]
	5017 227AA	1	J						[.118]
	5017 228AA	1	J						[.119]
	5017 229AA	1	J						[.120]
	5017 230AA	1	J						[.121]
	5017 231AA	1	J						[.122]
	5017 232AA	1	J						[.123]
	5017 233AA	1	J						[.124]
	5017 234AA	1	J						[.125]
	5017 235AA	1	J						[.126]
	5017 236AA	1	J						[.127]
	5017 219AA	1	J						[.110]
	5017 237AA	1	J						[.128]
	5017 238AA	1	J						[.129]
	5017 239AA	1	J						[.130]
	5017 240AA	1	J						[.131]
	5017 241AA	1	J						[.132]
	5017 242AA	1	J						[.133]
	5017 243AA	1	J						[.134]
	5017 244AA	1	J						[.135]
	5017 245AA	1	J						[.136]
	5017 246AA	1	J						[.137]
	5017 220AA	1	J						[.111]
	5017 247AA	1	J						[.138]
	5017 248AA	1	J						[.139]
	5017 249AA	1	J						[.140]
	5017 250AA	1	J						[.141]
	5017 251AA	1	J						[.142]
	5017 252AA	1	J						[.143]
	5017 253AA	1	J						[.144]
	5017 254AA	1	J						[.145]
	5017 255AA	1	J						[.146]
	5017 256AA	1	J						[.147]

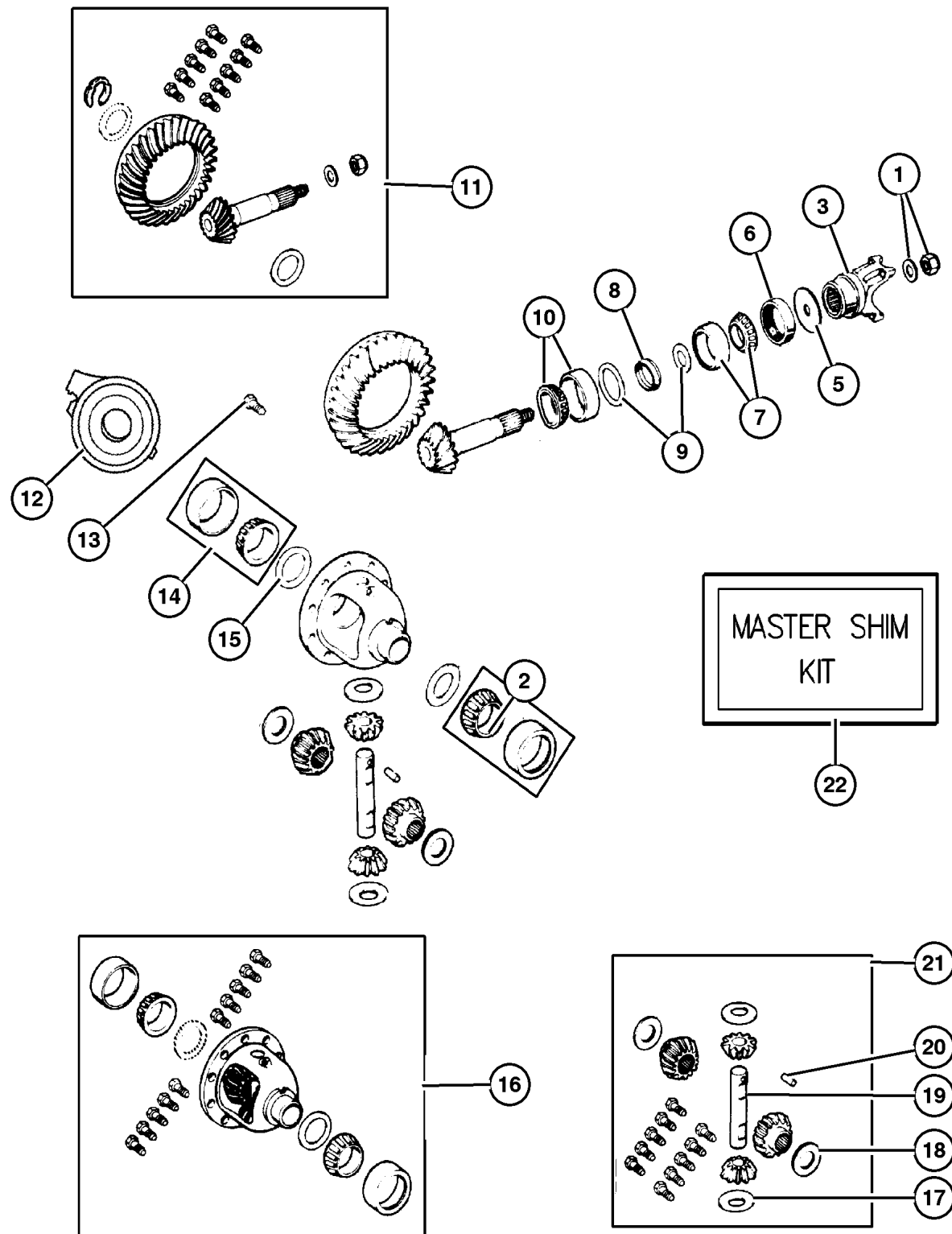
JEEP GRAND CHEROKEE (WJ)

SERIES	LINE	BODY	ENGINE	TRANSMISSION
H = Laredo	J = 4WD	74 = 4 Door	ERH = 4.0L, Power Tech I-6	DGK = 4 Speed Auto, 42RE
M = Sport	T = 2WD		EVA = 4.7L Power Tech V8	DGQ = 5 Speed Auto, 45RFE
P = Limited			EVC = 4.7L HO V8 MPI	DG0 = All Automatic Trans
S = Overland			ER0 = All 4.0L 6 Cyl Gas	
			EVO = All 4.7L Gas	

AR = Use as required - = Non illustrated part # = New this model year

December 1, 2003

Differential, Front Axle Figure 002-610



ITEM	PART NUMBER	QTY	LINE	SERIES	BODY	ENGINE	TRANS	TRIM	DESCRIPTION
	5017 221AA	1	J						[.112]
	5017 257AA	1	J						[.148]
	5017 222AA	1	J						[.113]
	5017 223AA	1	J						[.114]
	5017 224AA	1	J						[.115]
	5017 225AA	1	J						[.116]
	5017 226AA	1	J						[.117]
16									CASE, Differential [DMD] With Items 13,20
	5012 477AA	1	J						[DME] With Items 13,20
	5252 590	1	J						[DME,DSB] With Internal Parts, Without Item 13
	5012 519AA	1	J						Without Item 13
17	J812 0831	2	J						WASHER, Pinion Gear, Without [DSB]
18	J813 3724	2	J						WASHER, Side Gear, Without [DSB]
19	5003 840AA	1	J						SHAFT, Differential, Without [DSB]
20	1791 563	1	J						PIN, Differential Shaft, Without [DSB]
21	5252 591	1	J						GEAR KIT, Center Differential, Without [DSB]
22	5017 134AA	1	J						SHIM KIT, Differential, Master Shim Kit for the Complete Differential including All PINION Shims and all DIFFERENTIAL Shims., Contains All Parts in Items 8,14

JEEP GRAND CHEROKEE (WJ)

SERIES	LINE	BODY	ENGINE	TRANSMISSION
H = Laredo	J = 4WD	74 = 4 Door	ERH = 4.0L, Power Tech I-6	DGK = 4 Speed Auto, 42RE
M = Sport	T = 2WD		EVA = 4.7L Power Tech V8	DGQ = 5 Speed Auto, 45RFE
P = Limited			EVC = 4.7L HO V8 MPI	DG0 = All Automatic Trans
S = Overland			ER0 = All 4.0L 6 Cyl Gas	
			EVO = All 4.7L Gas	

AR = Use as required - = Non illustrated part # = New this model year

December 1, 2003

**Skid Plate, Front Axle
Figure 002-810**

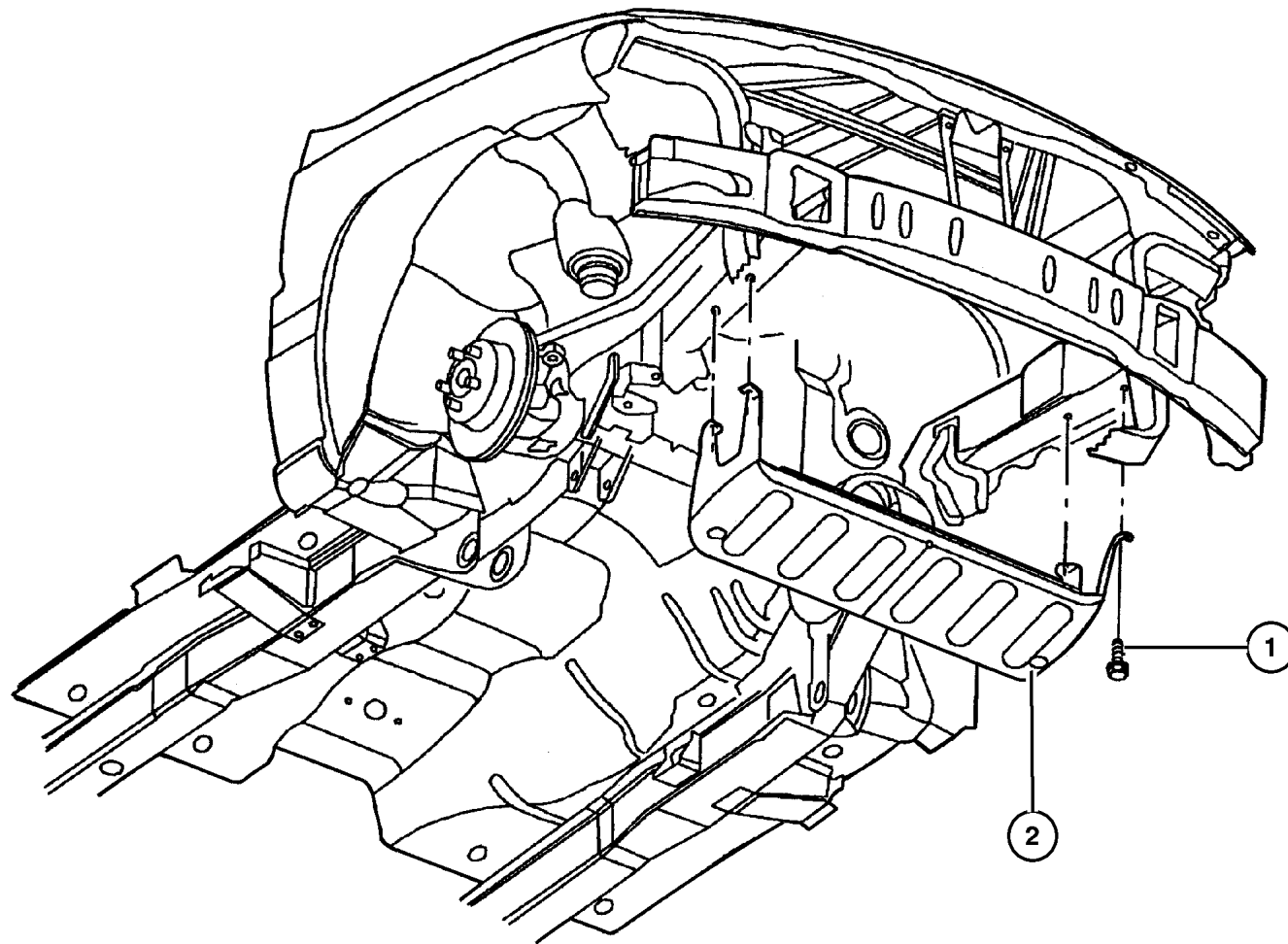
ITEM	PART NUMBER	QTY	LINE	SERIES	BODY	ENGINE	TRANS	TRIM	DESCRIPTION
------	-------------	-----	------	--------	------	--------	-------	------	-------------

Note: Sales Codes;

[ER0]=Engines - All 4.0L 6 Cylinder Gas

[EV0]=Engines - All 4.7L Gas

1	6505 961AA	4	J						SCREW AND WASHER, Hex Head, M10x1.5x40, Skid Plate to Sill, Mounting
2	#52080 217AB	1	J						SKID PLATE, Front



JEEP GRAND CHEROKEE (WJ)

SERIES	LINE	BODY	ENGINE	TRANSMISSION
H = Laredo	J = 4WD	74 = 4 Door	ERH = 4.0L, Power Tech I-6	DGK = 4 Speed Auto, 42RE
M = Sport	T = 2WD		EVA = 4.7L Power Tech V8	DGQ = 5 Speed Auto, 45RFE
P = Limited			EVC = 4.7L HO V8 MPI	DG0 = All Automatic Trans
S = Overland			ER0 = All 4.0L 6 Cyl Gas	
			EV0 = All 4.7L Gas	

AR = Use as required - = Non illustrated part # = New this model year

December 1, 2003

Group – 003

Rear Axle

GROUP 3 - Rear Axle

Illustration Title

Group-Fig. No.

Rear Axle

Axle Assembly,Rear Fig. 003-110

Differential and Housing

Housing,Rear Axle,Dana 35C/194MM [DRM] Fig. 003-210

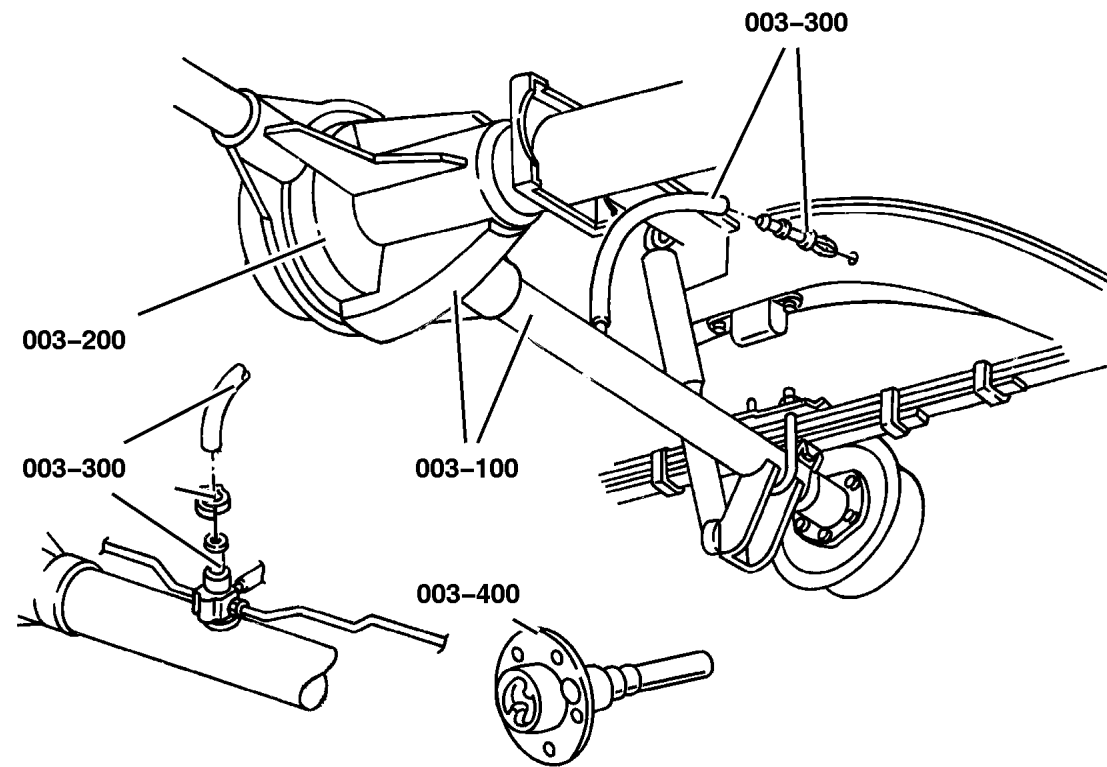
Housing,Rear Axle,Dana 44/226MM [DRK] Fig. 003-220

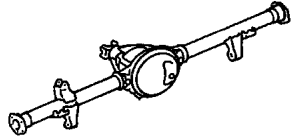
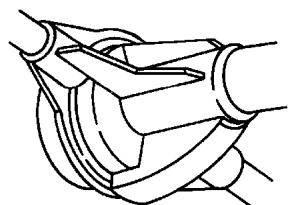
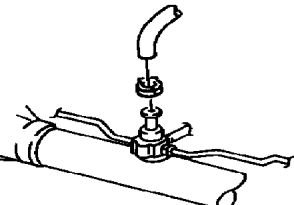
Differential and Axle Shafts,Dana 35C/194MM [DRM] Fig. 003-230

Differential and Axle Shafts,Dana 44/226MM [DRK],With or Without [DSC], Fig. 003-240

Rear Axle Vent

Rear Axle Vent Fig. 003-310



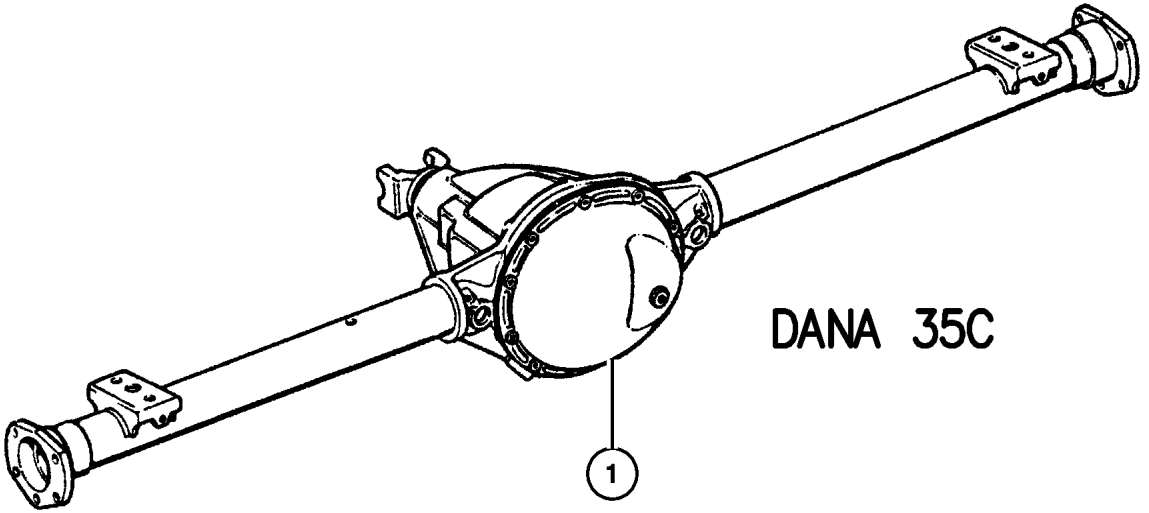
<p>003-100 Rear Axle</p> 	<p>003-200 Differential and Housing</p> 	<p>003-300 Rear Axle Vent</p> 	
---	--	---	--

**Axle Assembly,Rear
Figure 003-110**

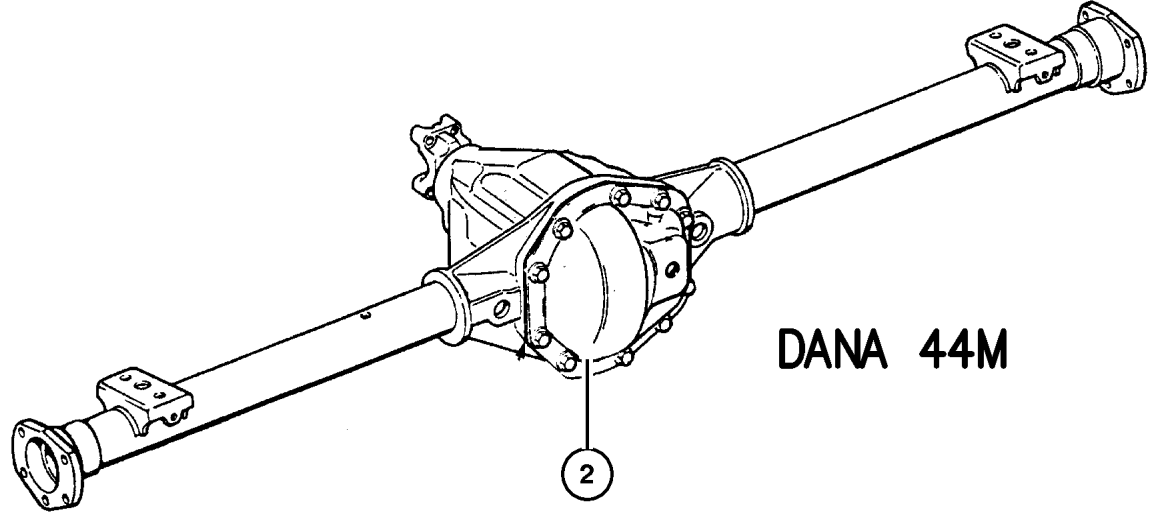
ITEM	PART NUMBER	QTY	LINE	SERIES	BODY	ENGINE	TRANS	TRIM	DESCRIPTION
------	-------------	-----	------	--------	------	--------	-------	------	-------------

Note:Sales Codes;
 [DMD]=Axle Ratio - 3.55
 [DME]=Axle Ratio - 3.73
 [DRK]=Axle - Rear,Dana 44/226MM
 [DRM]=Axle - Rear,Dana 35C/194MM
 [DSC]=Axles - Vari-Lok Progressive

1	5072 213AA	1							AXLE, Service Rear [DRM,DMD] Tag# 52099433AE
	5072 222AA	1							[DRM,DME] Tag# 52099430AE
2	5012 843AC	1							AXLE, Service Rear [DRK,DME] Tag# 52099429AE
	5012 868AC	1							[DRK,DME,DSC] Tag# 52099426AE



DANA 35C

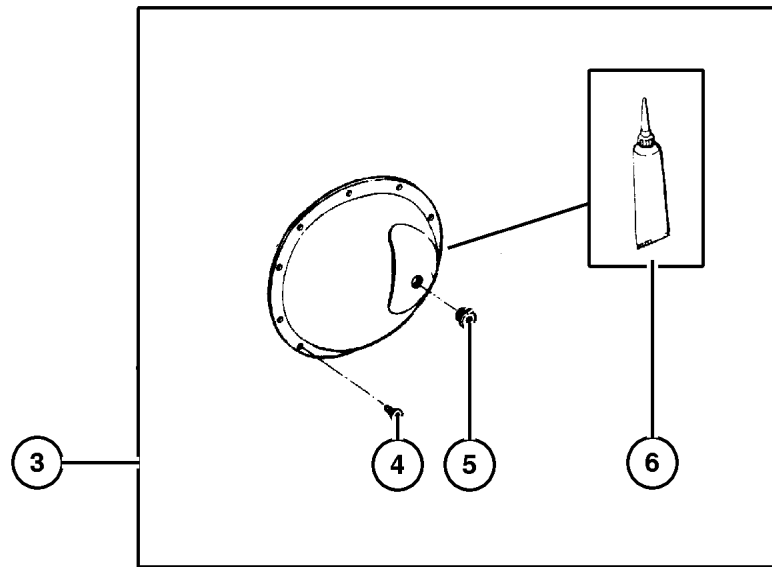
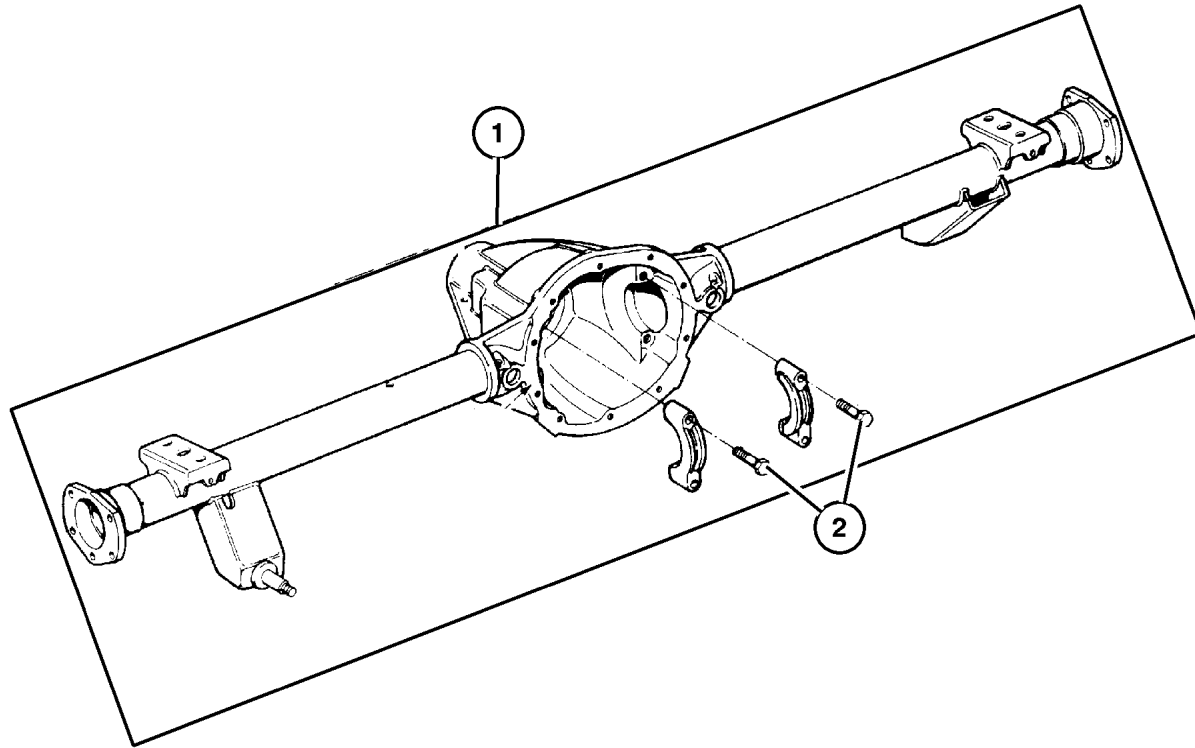


DANA 44M

JEEP GRAND CHEROKEE (WJ)		SERIES	LINE	BODY	ENGINE	TRANSMISSION
H = Laredo	J = 4WD	74 = 4 Door	ERH = 4.0L, Power Tech I-6	DGK = 4 Speed Auto, 42RE		
M = Sport	T = 2WD	EVA = 4.7L Power Tech V8	DGQ = 5 Speed Auto, 45RFE			
P = Limited		EVC = 4.7L HO V8 MPI	DG0 = All Automatic Trans			
S = Overland		ER0 = All 4.0L 6 Cyl Gas				
		EVO = All 4.7l Gas				

AR = Use as required - = Non illustrated part # = New this model year

Housing,Rear Axle,Dana 35C/194MM [DRM]
Figure 003-210



ITEM	PART NUMBER	QTY	LINE	SERIES	BODY	ENGINE	TRANS	TRIM	DESCRIPTION
------	-------------	-----	------	--------	------	--------	-------	------	-------------

Note:Sales Codes;

[DRM]=Axle - Rear,Dana 35C/194MM

1	5012 805AA	1							HOUSING, Axle
2	4897 482AB	4							BOLT, Differential
3	5012 811AA	1							COVER, Differential
4	J400 6708	10							SCREW, Pan Head, .312-18x.56
5	5252 504AB	1							PLUG, Differential Cover
6	5010 884AA	1							SEALANT, RTV

JEEP GRAND CHEROKEE (WJ)

SERIES	LINE	BODY	ENGINE	TRANSMISSION
H = Laredo	J = 4WD	74 = 4 Door	ERH = 4.0L, Power Tech I-6	DGK = 4 Speed Auto, 42RE
M = Sport	T = 2WD		EVA = 4.7L Power Tech V8	DGQ = 5 Speed Auto, 45RFE
P = Limited			EVC = 4.7L HO V8 MPI	DG0 = All Automatic Trans
S = Overland			ER0 = All 4.0L 6 Cyl Gas	
			EVO = All 4.7l Gas	

AR = Use as required - = Non illustrated part # = New this model year

December 1, 2003

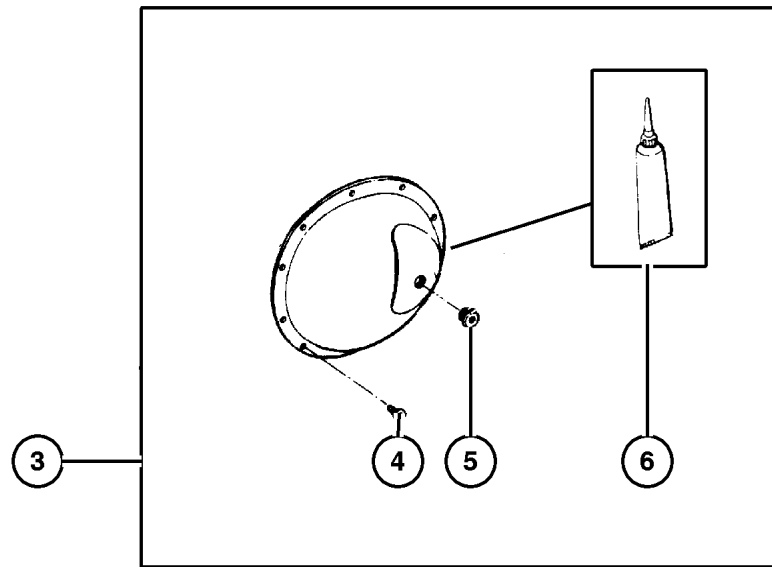
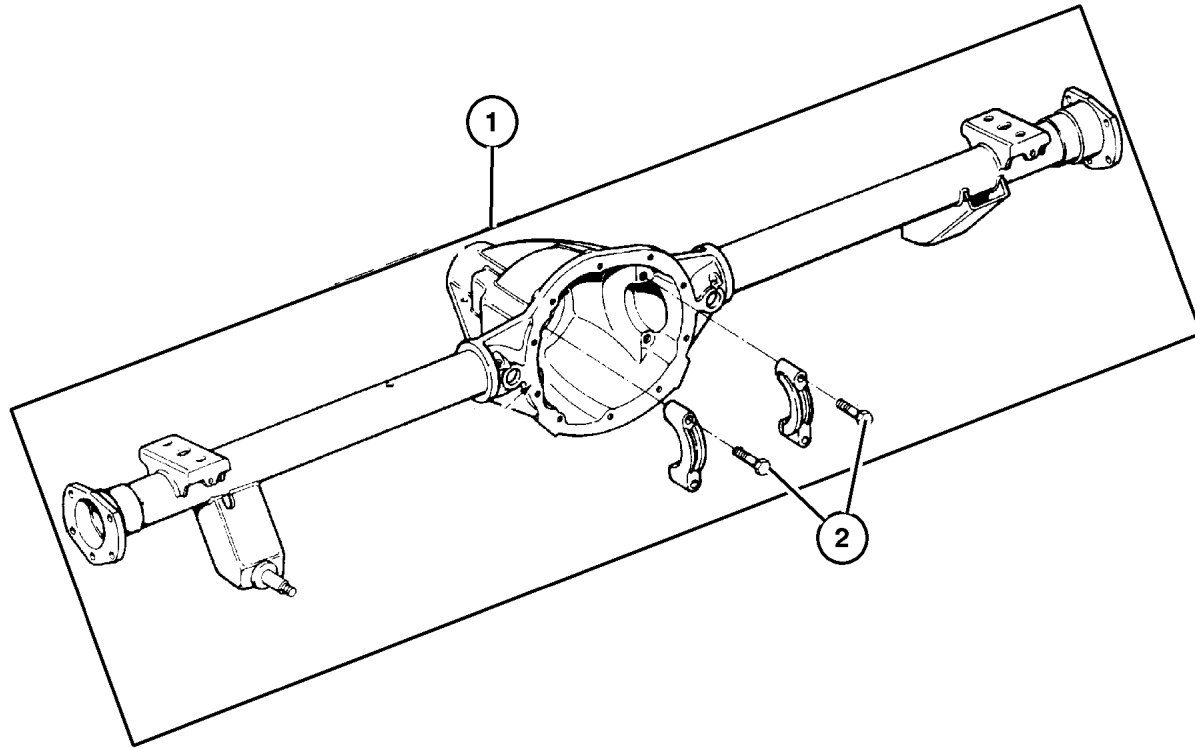
Housing,Rear Axle,Dana 44/226MM [DRK]
Figure 003-220

ITEM	PART NUMBER	QTY	LINE	SERIES	BODY	ENGINE	TRANS	TRIM	DESCRIPTION
------	-------------	-----	------	--------	------	--------	-------	------	-------------

Note:Sales Codes;

[DRK]=Axle - Rear,Dana 44/226MM

1	5012 837AB	1							HOUSING, Axle
2	5012 879AA	4							BOLT, Differential
3	5012 842AA	1							COVER, Differential
4	J400 6708	10							SCREW, Pan Head, .312-18x.56
5	5252 504AB	1							PLUG, Differential Cover
6	5010 884AA	1							SEALANT, RTV



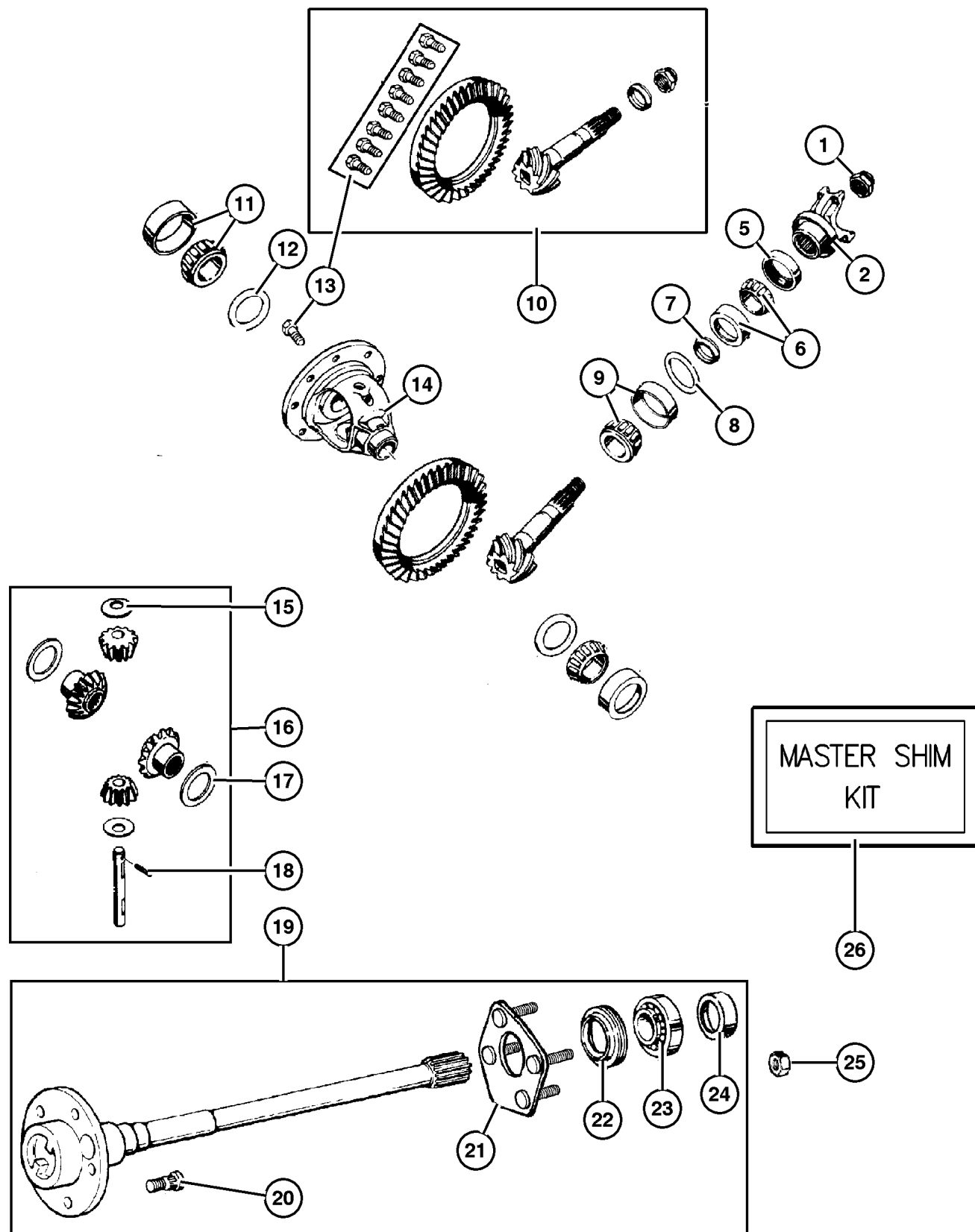
JEEP GRAND CHEROKEE (WJ)

SERIES	LINE	BODY	ENGINE	TRANSMISSION
H = Laredo	J = 4WD	74 = 4 Door	ERH = 4.0L, Power Tech I-6	DGK = 4 Speed Auto, 42RE
M = Sport	T = 2WD		EVA = 4.7L Power Tech V8	DGQ = 5 Speed Auto, 45RFE
P = Limited			EVC = 4.7L HO V8 MPI	DG0 = All Automatic Trans
S = Overland			ER0 = All 4.0L 6 Cyl Gas	
			EVO = All 4.7l Gas	

AR = Use as required - = Non illustrated part # = New this model year

December 1, 2003

Differential and Axle Shafts, Dana 35C/194MM [DRM]
Figure 003-230



ITEM	PART NUMBER	QTY	LINE	SERIES	BODY	ENGINE	TRANS	TRIM	DESCRIPTION
Note: Sales Codes;									
[DMD]=Axle Ratio - 3.55									
[DME]=Axle Ratio - 3.73									
[DRM]=Axle - Rear, Dana 35C/194MM									
1	4720 895	1							NUT, Pinion Yoke
2	5072 212AA	1							YOKE, Axle
-3	5019 844AA	1							SLINGER, Drive Pinion
-4	4883 964AA	1							O RING, Pinion Flange, Fits Over Hub of Axle Yoke
5	5012 813AA	1							SEAL, Drive Pinion
6	5252 508	1							BEARING, Drive Pinion, Bearing and Cup, Front
7									SPACER, Drive Pinion Bearing
	J317 5779	1							Crush [DMD]
	5012 809AA	1							Crush [DME]
8									SHIM, Drive Pinion Bearing, Replacement Individual PINION Shims for Master Shim Kit 5017214AA
	5017 269AA	1							.036
	5017 278AA	1							.045
	5017 279AA	1							.046
	5017 280AA	1							.047
	5017 281AA	1							.048
	5017 282AA	1							.049
	5017 283AA	1							.050
	5017 288AA	1							.021
	5017 270AA	1							.037
	5017 271AA	1							.038
	5017 272AA	1							.039
	5017 273AA	1							.040
	5017 274AA	1							.041
	5017 275AA	1							.042
	5017 276AA	1							.043
	5017 277AA	1							.044
9	5252 507	1							BEARING, Drive Pinion, Bearing and Cup, Rear
10									GEAR KIT, Ring And Pinion [DMD]
	5012 828AC	1							[DME]
	5012 807AC	1							[DME]
11	J812 6500	1							BEARING, Differential, Consists of 2 Bearing and 2 Cups

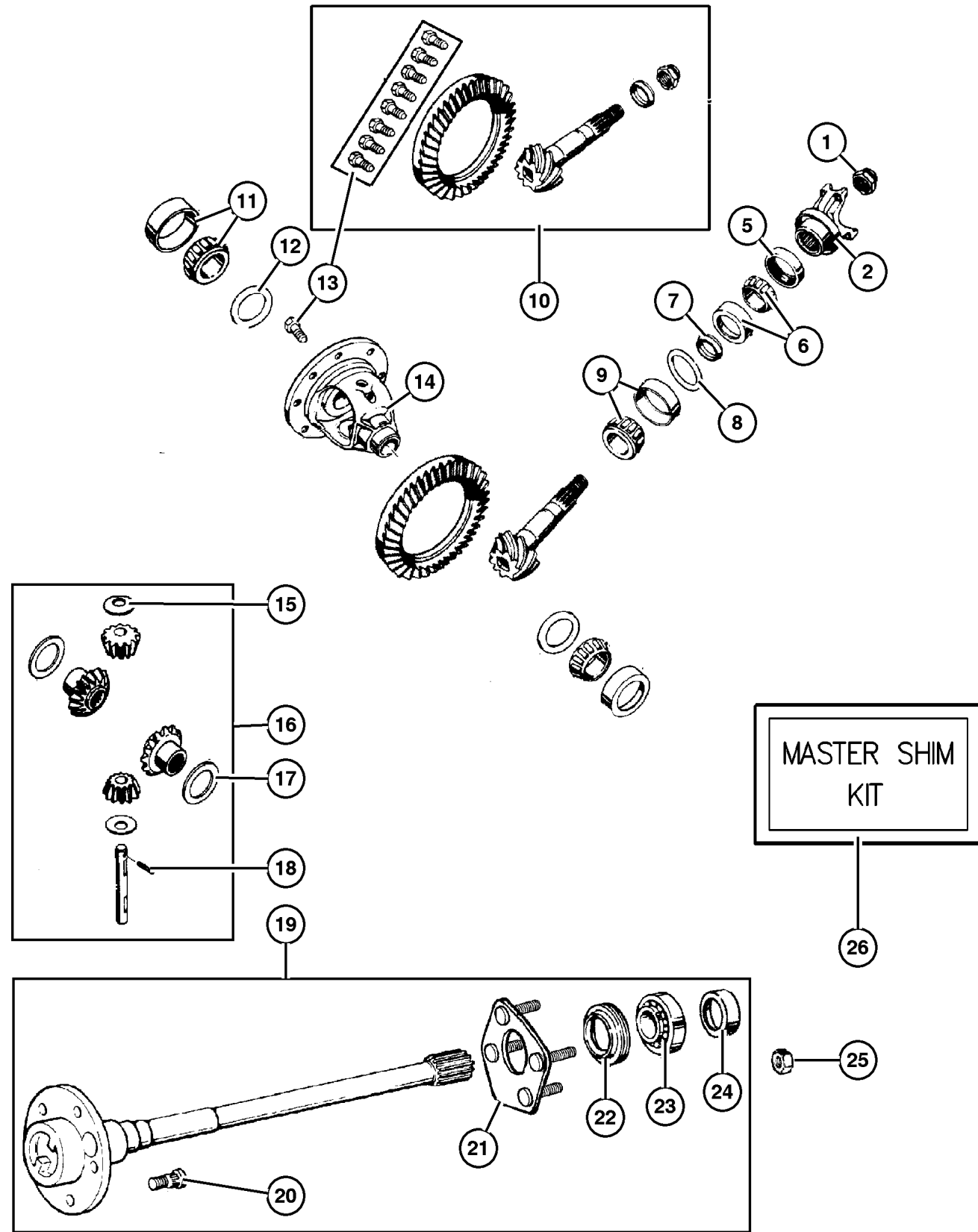
JEEP GRAND CHEROKEE (WJ)

SERIES	LINE	BODY	ENGINE	TRANSMISSION
H = Laredo	J = 4WD	74 = 4 Door	ERH = 4.0L, Power Tech I-6	DGK = 4 Speed Auto, 42RE
M = Sport	T = 2WD		EVA = 4.7L Power Tech V8	DGQ = 5 Speed Auto, 45RFE
P = Limited			EVC = 4.7L HO V8 MPI	DG0 = All Automatic Trans
S = Overland			ER0 = All 4.0L 6 Cyl Gas	
			EVO = All 4.7L Gas	

AR = Use as required - = Non illustrated part # = New this model year

December 1, 2003

Differential and Axle Shafts, Dana 35C/194MM [DRM]
Figure 003-230



ITEM	PART NUMBER	QTY	LINE	SERIES	BODY	ENGINE	TRANS	TRIM	DESCRIPTION
12									SHIM, Differential Bearing, Replacement Individual DIFFERENTIAL Shims for Master Shim Kit 5017214AA
	5017 299AA	1							.151
	5017 308AA	1							.160
	5017 309AA	1							.161
	5017 310AA	1							.162
	5017 311AA	1							.163
	5017 312AA	1							.164
	5017 313AA	1							.165
	5017 314AA	1							.166
	5017 315AA	1							.167
	5017 316AA	1							.168
	5017 317AA	1							.169
	5017 300AA	1							.152
	5017 318AA	1							.170
	5017 319AA	1							.171
	5017 320AA	1							.172
	5017 321AA	1							.173
	5017 322AA	1							.174
	5017 323AA	1							.175
	5017 324AA	1							.176
	5017 325AA	1							.177
	5017 326AA	1							.178
	5017 327AA	1							.179
	5017 301AA	1							.153
	5017 328AA	1							.180
	5017 329AA	1							.181
	5017 330AA	1							.182
	5017 331AA	1							.183
	5017 302AA	1							.154
	5017 303AA	1							.155
	5017 304AA	1							.156
	5017 305AA	1							.157
	5017 306AA	1							.158
	5017 307AA	1							.159
13	5012 810AC	1							BOLT KIT
14	5012 808AB	1							CASE, Differential, with Internal Parts
15	J812 0831	2							WASHER, Pinion Gear, Thrust
16	4740 670	1							GEAR KIT, Center Differential
17	J812 0832	2							WASHER, Side Gear, Thrust

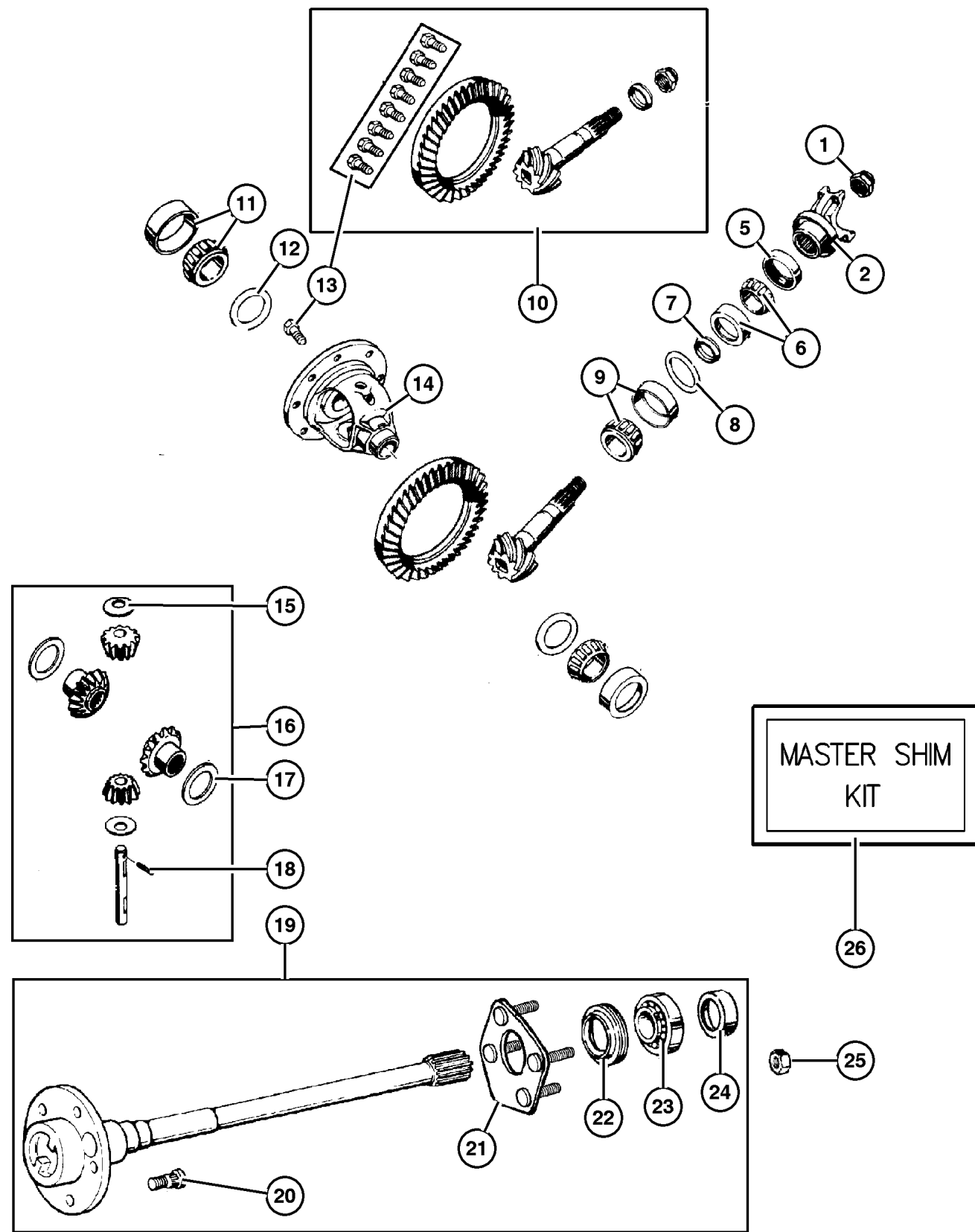
JEEP GRAND CHEROKEE (WJ)

SERIES	LINE	BODY	ENGINE	TRANSMISSION
H = Laredo	J = 4WD	74 = 4 Door	ERH = 4.0L, Power Tech I-6	DGK = 4 Speed Auto, 42RE
M = Sport	T = 2WD		EVA = 4.7L Power Tech V8	DGQ = 5 Speed Auto, 45RFE
P = Limited			EVC = 4.7L HO V8 MPI	DG0 = All Automatic Trans
S = Overland			ER0 = All 4.0L 6 Cyl Gas	
			EVO = All 4.7L Gas	

AR = Use as required - = Non illustrated part # = New this model year

December 1, 2003

Differential and Axle Shafts, Dana 35C/194MM [DRM]
Figure 003-230

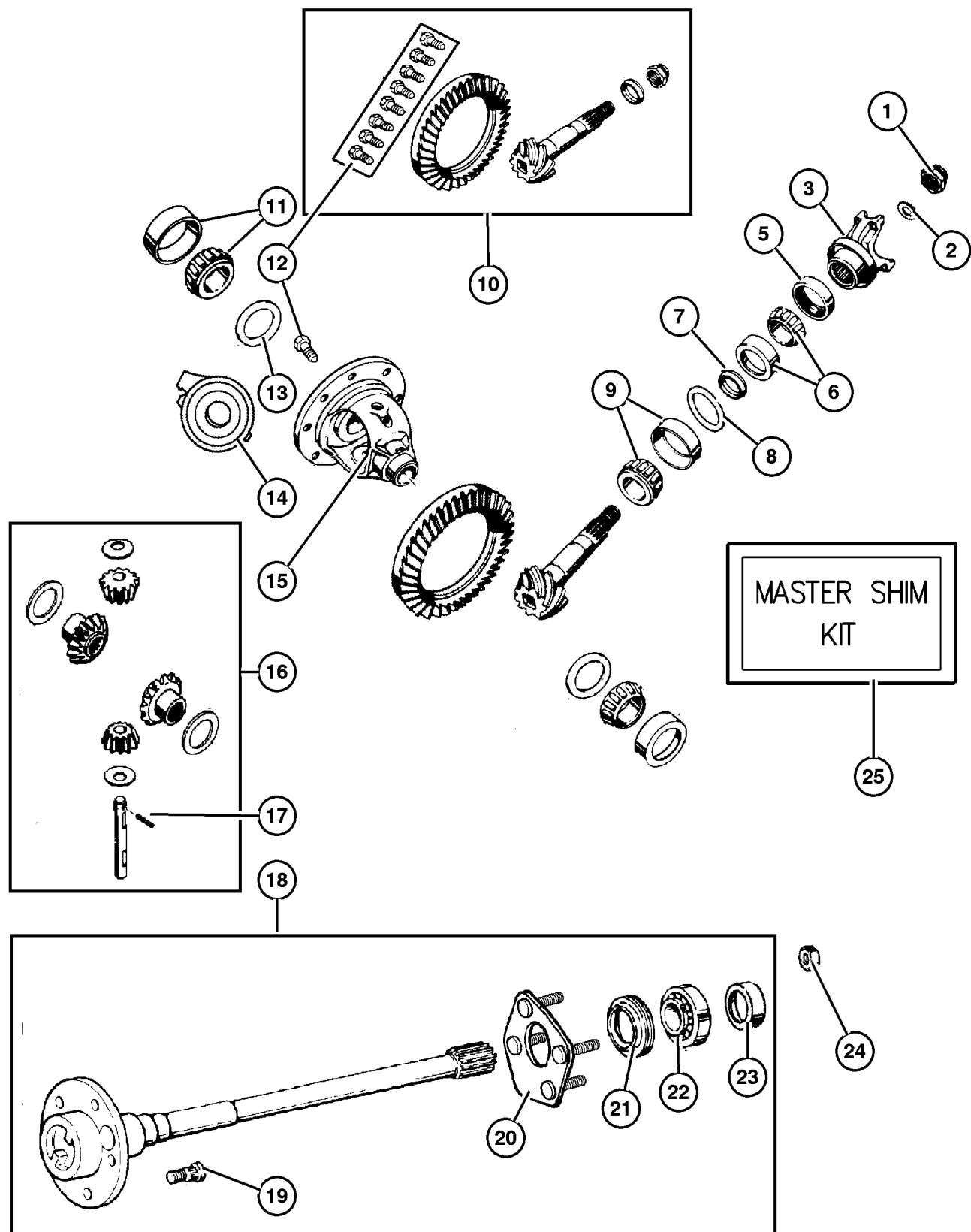


ITEM	PART NUMBER	QTY	LINE	SERIES	BODY	ENGINE	TRANS	TRIM	DESCRIPTION
18	5252 502	1							PIN, Differential Shaft
19	5012 820AA	1							SHAFT, Axle Right
	5012 821AA	1							Left
20	6036 388AA	5							BOLT, Hub and Rotor
21	5012 827AA	1							RETAINER, Axle Shaft Seal
22	5012 824AA	1							SEAL, Axle Drive Shaft
23	5012 825AA	1							BEARING, Axle Shaft
24	8350 3054	1							RING, Axle Shaft
25	6034 988	8							NUT
26	5017 214AA	1							SHIM KIT, Differential, Master Shim Kit For the Complete Differential containing 16 PINION Shims and 33 DIFFERENTIAL Shims.

JEEP GRAND CHEROKEE (WJ)				
SERIES	LINE	BODY	ENGINE	TRANSMISSION
H = Laredo	J = 4WD	74 = 4 Door	ERH = 4.0L, Power Tech I-6	DGK = 4 Speed Auto, 42RE
M = Sport	T = 2WD		EVA = 4.7L Power Tech V8	DGQ = 5 Speed Auto, 45RFE
P = Limited			EVC = 4.7L HO V8 MPI	DG0 = All Automatic Trans
S = Overland			ER0 = All 4.0L 6 Cyl Gas	
			EVO = All 4.7l Gas	

AR = Use as required - = Non illustrated part # = New this model year

**Differential and Axle Shafts, Dana 44/226MM [DRK], With or Without [DSC],
Figure 003-240**



ITEM	PART NUMBER	QTY	LINE	SERIES	BODY	ENGINE	TRANS	TRIM	DESCRIPTION
Note: Sales Codes;									
[DME]=Axle Ratio - 3.73									
[DRK]=Axle - Rear, Dana 44/226MM									
[DSC]=Axles - Vari-Lok Progressive									
1	1795 173	1							NUT, Pinion Yoke
2	1795 175	1							WASHER, Pinion Yoke
3	5012 840AA	1							YOKE, Axle
-4	5012 847AA	1							O RING, Pinion Flange, Fits Over Hub of Axle Yoke
5	5072 265AA	1							SEAL, Drive Pinion
6	4864 210	1							BEARING, Drive Pinion, Front
7	4864 214	1							SPACER, Crush
8									SHIM, Drive Pinion Bearing
	5017 332AA	1							[.040"]
	5017 341AA	1							[.049"]
	5017 342AA	1							[.050"]
	5017 343AA	1							[.051"]
	5017 344AA	1							[.052"]
	5017 345AA	1							[.053"]
	5017 346AA	1							[.054"]
	5017 333AA	1							[.041"]
	5017 334AA	1							[.042"]
	5017 335AA	1							[.043"]
	5017 336AA	1							[.044"]
	5017 337AA	1							[.045"]
	5017 338AA	1							[.046"]
	5017 339AA	1							[.047"]
	5017 340AA	1							[.048"]
9	4746 979	1							BEARING, Drive Pinion, Bearing and Cup, Rear
10	5019 854AB	1							GEAR KIT, Ring And Pinion, [DME]
11	4864 213	1							BEARING, Differential Case, Consists of 2 Bearings and 2 Cups
12	5012 810AC	1							BOLT KIT
13									SHIM, Differential Bearing
	5017 354AA	1							[.110"]
	5017 363AA	1							[.119"]
	5017 364AA	1							[.120"]
	5017 365AA	1							[.121"]
	5017 366AA	1							[.122"]
	5017 367AA	1							[.123"]
	5017 368AA	1							[.124"]

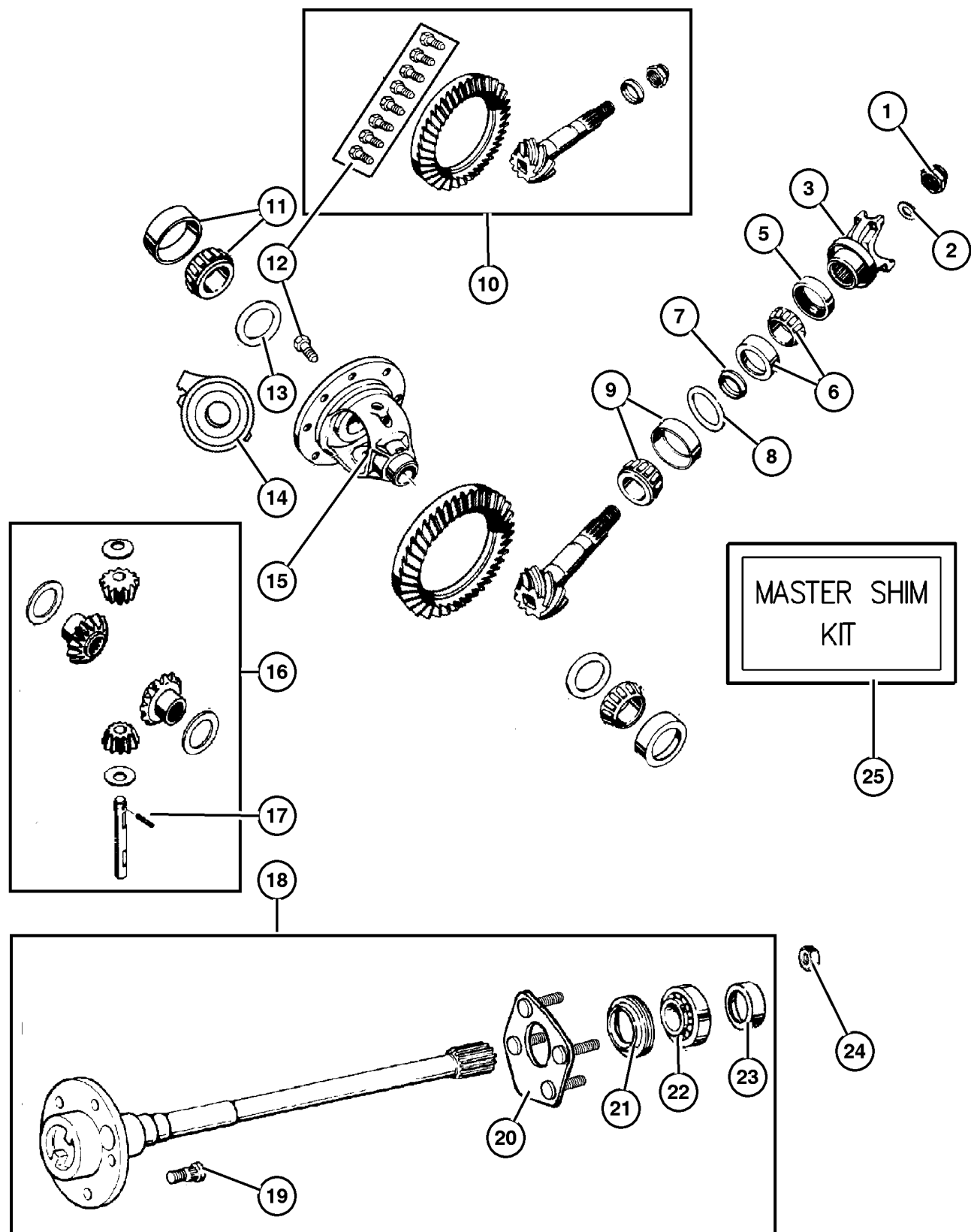
JEEP GRAND CHEROKEE (WJ)

SERIES	LINE	BODY	ENGINE	TRANSMISSION
H = Laredo	J = 4WD	74 = 4 Door	ERH = 4.0L, Power Tech I-6	DGK = 4 Speed Auto, 42RE
M = Sport	T = 2WD		EVA = 4.7L Power Tech V8	DGQ = 5 Speed Auto, 45RFE
P = Limited			EVC = 4.7L HO V8 MPI	DG0 = All Automatic Trans
S = Overland			ER0 = All 4.0L 6 Cyl Gas	
			EVO = All 4.7L Gas	

AR = Use as required - = Non illustrated part # = New this model year

December 1, 2003

Differential and Axle Shafts, Dana 44/226MM [DRK], With or Without [DSC],
Figure 003-240



ITEM	PART NUMBER	QTY	LINE	SERIES	BODY	ENGINE	TRANS	TRIM	DESCRIPTION
	5017 369AA	1							[.125"]
	5017 370AA	1							[.126"]
	5017 371AA	1							[.127"]
	5017 372AA	1							[.128"]
	5017 355AA	1							[.111"]
	5017 373AA	1							[.129"]
	5017 374AA	1							[.130"]
	5017 375AA	1							[.131"]
	5017 376AA	1							[.132"]
	5017 377AA	1							[.133"]
	5017 378AA	1							[.134"]
	5017 383AA	1							[.135"]
	5017 384AA	1							[.136"]
	5017 385AA	1							[.137"]
	5017 386AA	1							[.138"]
	5017 356AA	1							[.112"]
	5017 387AA	1							[.139"]
	5017 388AA	1							[.140"]
	5017 389AA	1							[.141"]
	5017 390AA	1							[.142"]
	5017 391AA	1							[.143"]
	5017 392AA	1							[.144"]
	5017 393AA	1							[.145"]
	5017 394AA	1							[.146"]
	5017 395AA	1							[.147"]
	5017 396AA	1							[.148"]
	5017 357AA	1							[.113"]
	5017 397AA	1							[.149"]
	5017 398AA	1							[.150"]
	5017 399AA	1							[.151"]
	5017 400AA	1							[.152"]
	5017 401AA	1							[.153"]
	5017 402AA	1							[.154"]
	5017 403AA	1							[.155"]
	5017 358AA	1							[.114"]
	5017 359AA	1							[.115"]
	5017 360AA	1							[.116"]
	5017 361AA	1							[.117"]
	5017 362AA	1							[.118"]
14	5012 870AA	1							PLENUM, Differential, With [DSC]
15									CASE, Differential
	5019 855AA	1							Without [DSC] With Internal Parts

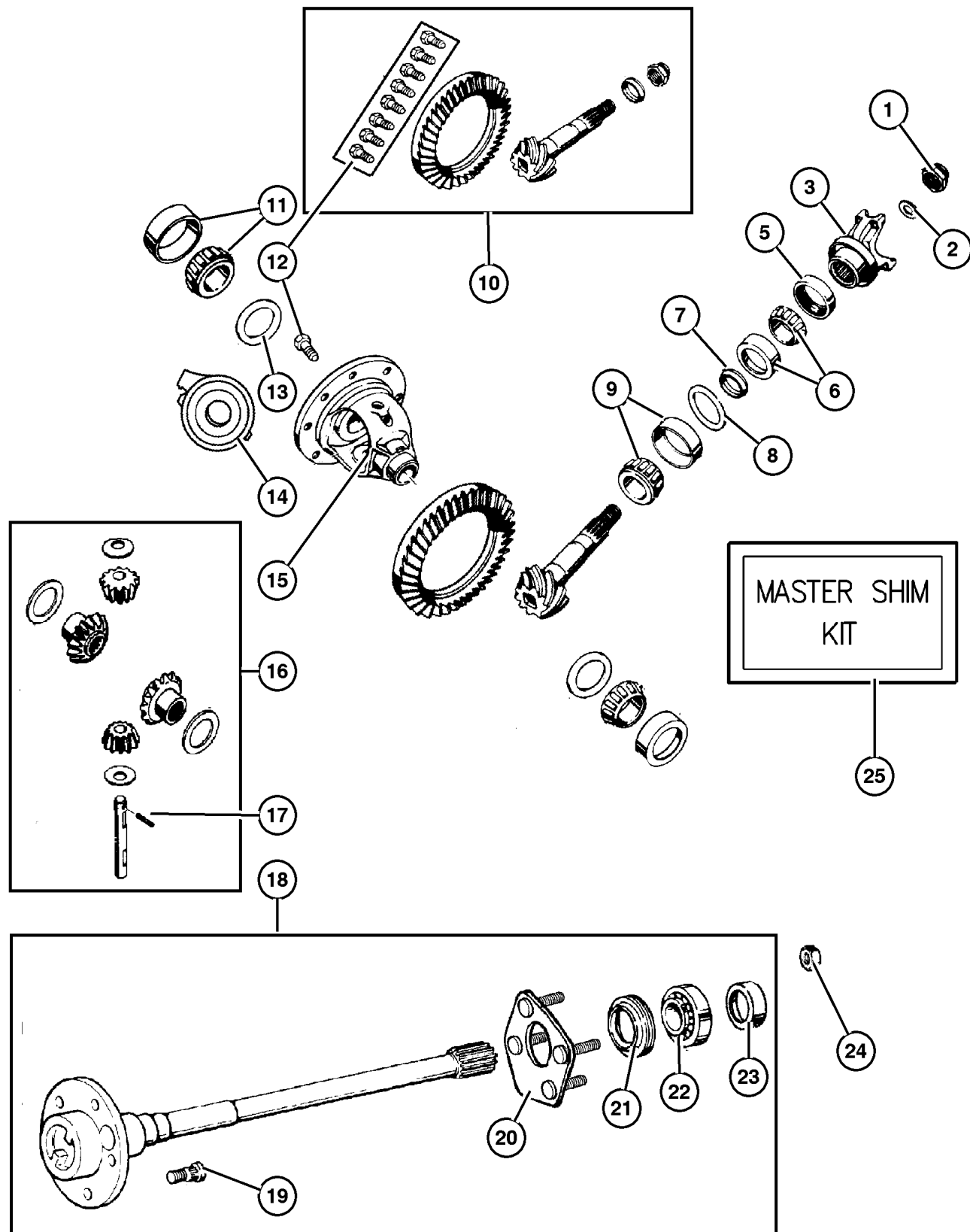
JEEP GRAND CHEROKEE (WJ)

SERIES	LINE	BODY	ENGINE	TRANSMISSION
H = Laredo	J = 4WD	74 = 4 Door	ERH = 4.0L, Power Tech I-6	DGK = 4 Speed Auto, 42RE
M = Sport	T = 2WD		EVA = 4.7L Power Tech V8	DGQ = 5 Speed Auto, 45RFE
P = Limited			EVC = 4.7L HO V8 MPI	DG0 = All Automatic Trans
S = Overland			ER0 = All 4.0L 6 Cyl Gas	
			EVO = All 4.7L Gas	

AR = Use as required - = Non illustrated part # = New this model year

December 1, 2003

Differential and Axle Shafts, Dana 44/226MM [DRK], With or Without [DSC],
Figure 003-240



ITEM	PART NUMBER	QTY	LINE	SERIES	BODY	ENGINE	TRANS	TRIM	DESCRIPTION
	5019 867AA	1							With [DSC] With Internal Parts
16	4856 366	1							GEAR KIT, Center Differential, Without [DSC]
17	5015 223AA	1							PIN, Differential Shaft, Without [DSC]
18									SHAFT, Axle
	5012 850AA	1							Without [DSC], Right
	5012 851AA	1							Without [DSC], Left
	5012 872AA	1							With [DSC], Right
	5012 873AA	1							With [DSC], Left
19	6036 388AA	5							BOLT, Hub and Rotor
20	5012 827AA	1							RETAINER, Axle Shaft Seal
21	5012 824AA	1							SEAL, Axle Drive Shaft
22	5012 825AA	1							BEARING, Axle Shaft
23	8350 3054	1							RING, Axle Shaft
24	6034 988	8							NUT
25	5017 215AA	1							SHIM KIT, Differential, Contains All Shims for Items 8,13

JEEP GRAND CHEROKEE (WJ)

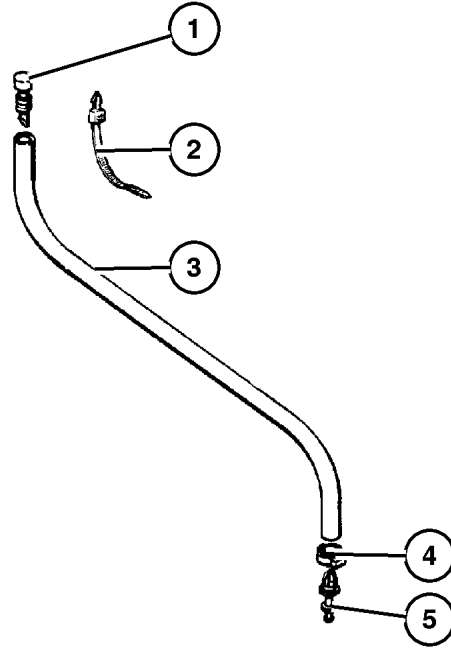
SERIES	LINE	BODY	ENGINE	TRANSMISSION
H = Laredo	J = 4WD	74 = 4 Door	ERH = 4.0L, Power Tech I-6	DGK = 4 Speed Auto, 42RE
M = Sport	T = 2WD		EVA = 4.7L Power Tech V8	DGQ = 5 Speed Auto, 45RFE
P = Limited			EVC = 4.7L HO V8 MPI	DG0 = All Automatic Trans
S = Overland			ER0 = All 4.0L 6 Cyl Gas	
			EVO = All 4.7l Gas	

AR = Use as required - = Non illustrated part # = New this model year

December 1, 2003

Rear Axle Vent
Figure 003-310

ITEM	PART NUMBER	QTY	LINE	SERIES	BODY	ENGINE	TRANS	TRIM	DESCRIPTION
1	J535 2955	1							VENT, Axle
2	J417 5376	3							STRAP, Tie
3	HFV0 0516	1	J						HOSE, Fuel And Vapor, 25 Foot Roll 5/16"
4	6503 573	1	J						CLIP
5	4137 696	1							SCREW, Brake Tee, .437-20x2.07, Double Ended Stud



JEEP GRAND CHEROKEE (WJ)

SERIES	LINE	BODY	ENGINE	TRANSMISSION
H = Laredo	J = 4WD	74 = 4 Door	ERH = 4.0L, Power Tech I-6	DGK = 4 Speed Auto, 42RE
M = Sport	T = 2WD		EVA = 4.7L Power Tech V8	DGQ = 5 Speed Auto, 45RFE
P = Limited			EVC = 4.7L HO V8 MPI	DG0 = All Automatic Trans
S = Overland			ER0 = All 4.0L 6 Cyl Gas	
			EVO = All 4.7l Gas	

AR = Use as required - = Non illustrated part # = New this model year

December 1, 2003

Group – 004

Parking Brake

GROUP 4 - Parking Brake

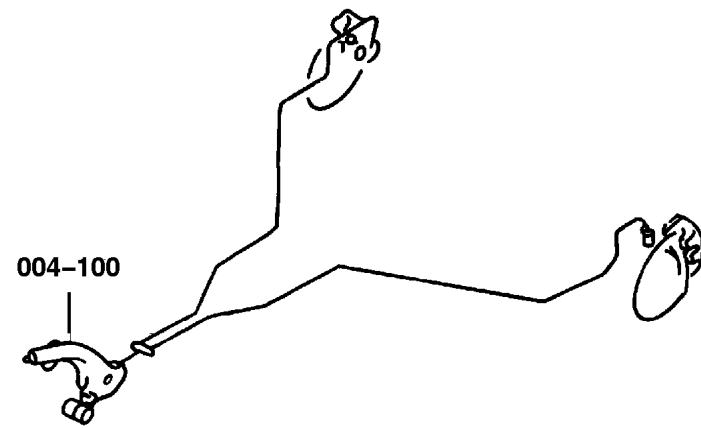
Illustration Title


Group-Fig. No.

Parking Brake Lever and Cables

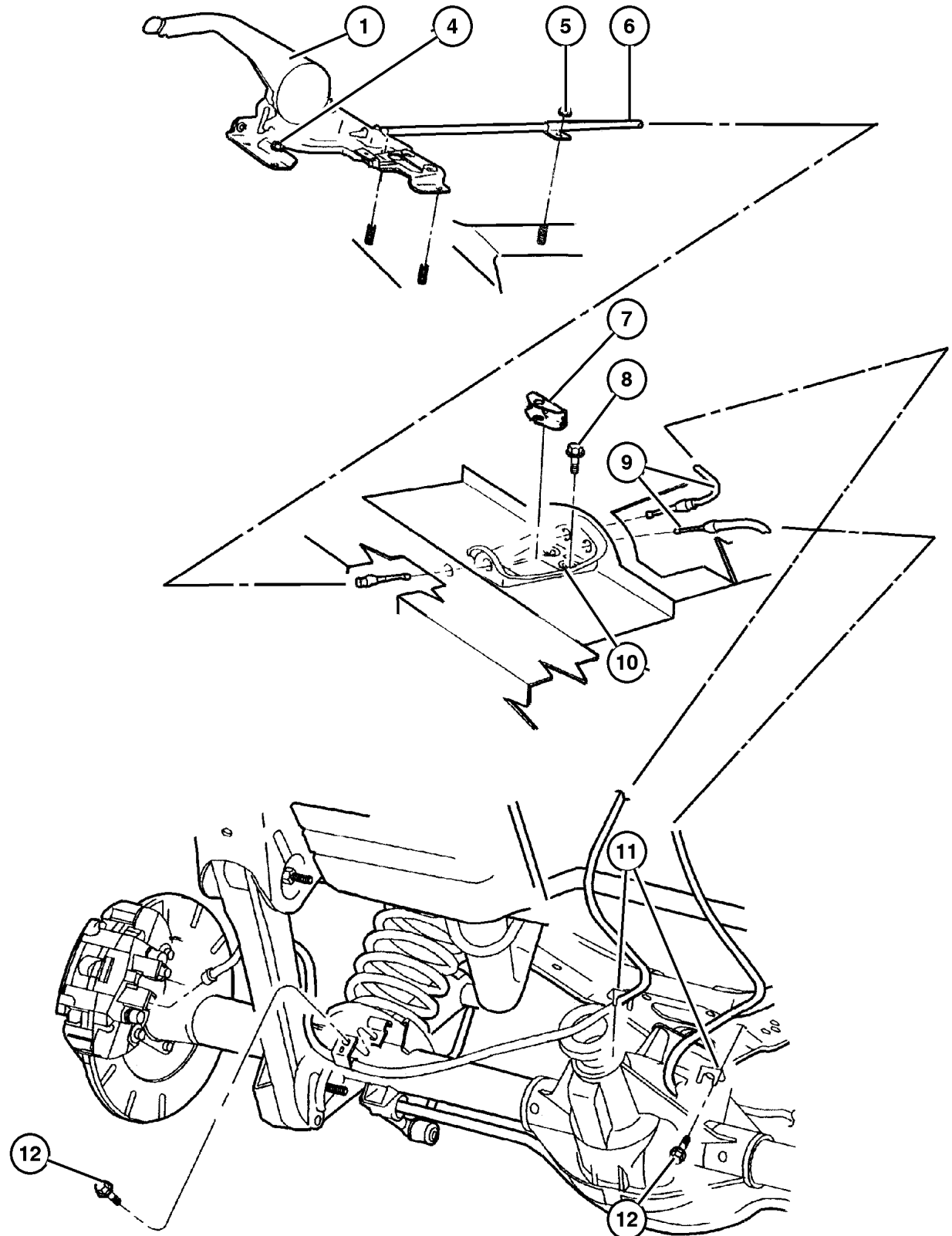
Lever And Cable - Parking Brake Fig. 004-110

Rear Disc Parking Brake Assy Fig. 004-120



<p>004-100 Parking Brake Lever and Cables</p> 			
--	--	--	--

Lever And Cable - Parking Brake
Figure 004-110



ITEM	PART NUMBER	QTY	LINE	SERIES	BODY	ENGINE	TRANS	TRIM	DESCRIPTION
1	52128 246AF	1							LEVER, Park Brake, Includes 2,3,6
-2	5212 7960	1							SWITCH, Parking Brake
-3	5016 265AA	1							COVER, Parking Brake
4	6505 245AA	4							NUT, M8x1.25, Parking Brake Lever Assembly, Mounting
5	6503 825	3							NUT AND WASHER, Hex Nut-Coned Washer, M6 x 1.00, Cable Mounting, Intermediate
6	52128 243AA	1							CABLE, Parking Brake, Intermediate
7	5212 8126	1							EQUALIZER, Parking Brake Cable
8	6504 494	3							SCREW, Hex Flange Head, M6x1.00x20.00, Parking Brake Reaction Tub Bracket, Mounting
9	52128 118AD	1							CABLE, Parking Brake Right Rear
	52128 119AD	1							Left Rear
10	52128 236AB	1							BRACKET, Cable, Parking Brake Reaction Tub
11	52128 224AB	2							BRACKET, Cable, Parking Brake, Mounting
12	6505 242AA	2							SCREW, Bracket to Control Arm, Mounting
-13	55196 859AA	1							BRACKET, Console, Center, Mounting
-14	6016 155	1							STRAP, Tie, Parking Brake Cable

JEEP GRAND CHEROKEE (WJ)

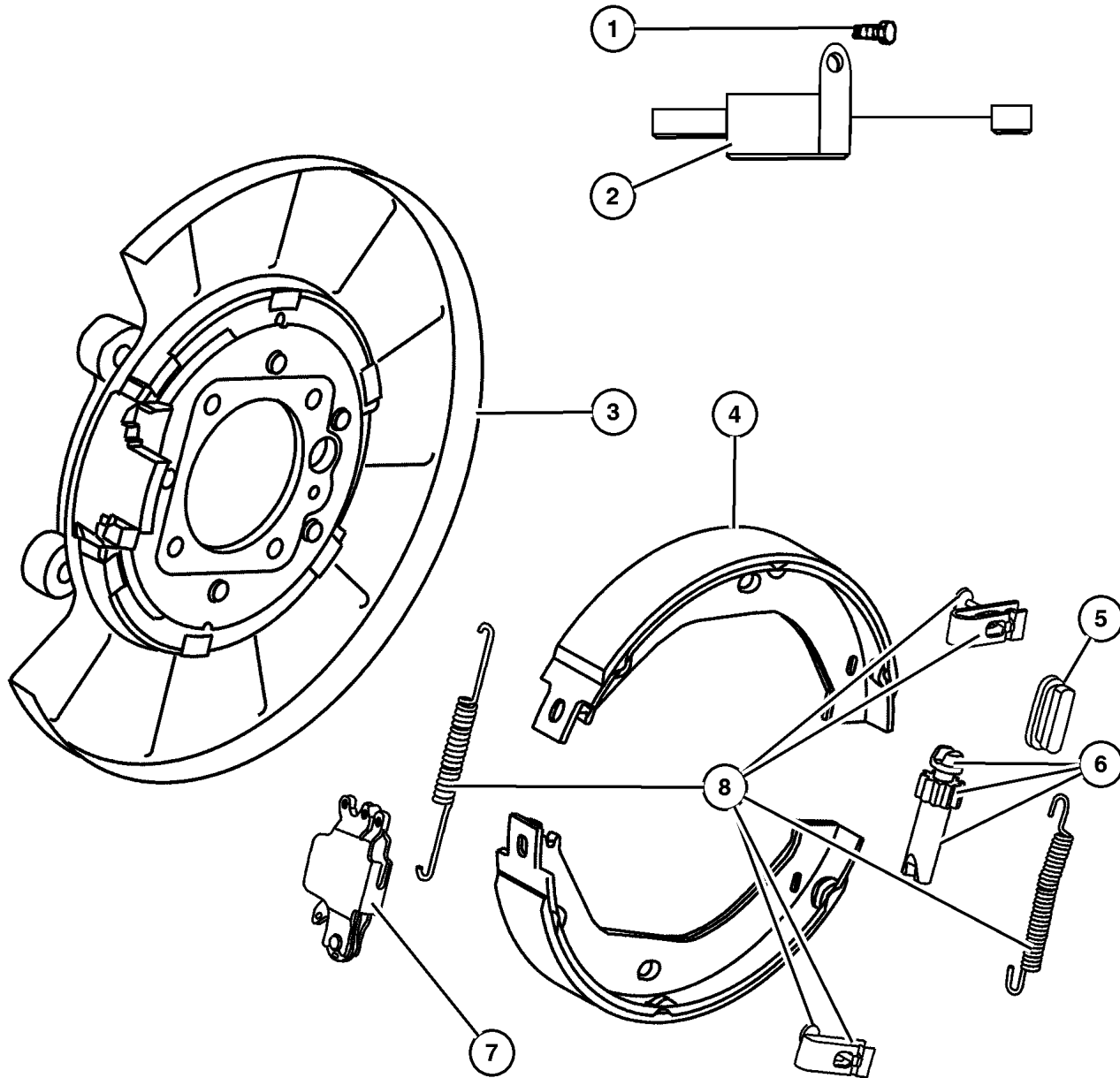
SERIES	LINE	BODY	ENGINE	TRANSMISSION
H = Laredo	J = 4WD	74 = 4 Door	ERH = 4.0L, Power Tech I-6	DGK = 4 Speed Auto, 42RE
M = Sport	T = 2WD		EVA = 4.7L Power Tech V8	DGQ = 5 Speed Auto, 45RFE
P = Limited			EVC = 4.7L HO V8 MPI	DG0 = All Automatic Trans
S = Overland			ER0 = All 4.0L 6 Cyl Gas	
			EVO = All 4.7L Gas	

AR = Use as required - = Non illustrated part # = New this model year

December 1, 2003

Rear Disc Parking Brake Assy
Figure 004-120

ITEM	PART NUMBER	QTY	LINE	SERIES	BODY	ENGINE	TRANS	TRIM	DESCRIPTION
Note: 5014038AA Spring Kit , contains 2 Brake Shoe Hold Down Pins, 2 Parking Brake Hold Down Clips,1 Park Brake Shoe Return Spring Upper and 1 Park Brake Shoe Return Spring Lower.									
1	5012 814AA	2							BOLT, ABS Sensor, Right or Left
2	56041 308AA	1							SENSOR, Wheel Speed Right
	56041 509AA	1							Left
3	5011 982AA	1							PLATE, Brake Backing, Right or Left
4	5011 988AA	1							SHOE AND LINING KIT, Parking Brake
5	5012 354AA	1							PLUG, Brake Adjusting Hole, Right or Left
6	5011 993AA	1							ADJUSTER, Parking Brake, Right or Left
7	5011 994AA	1							LEVER, Park Brake, Right or Left
8	5014 038AA	2							SPRING KIT, Brake Shoe Hold Down, See Note At Top of Page, Right or Left



JEEP GRAND CHEROKEE (WJ)

SERIES	LINE	BODY	ENGINE	TRANSMISSION
H = Laredo	J = 4WD	74 = 4 Door	ERH = 4.0L, Power Tech I-6	DGK = 4 Speed Auto, 42RE
M = Sport	T = 2WD		EVA = 4.7L Power Tech V8	DGQ = 5 Speed Auto, 45RFE
P = Limited			EVC = 4.7L HO V8 MPI	DG0 = All Automatic Trans
S = Overland			ER0 = All 4.0L 6 Cyl Gas	
			EVO = All 4.7l Gas	

AR = Use as required - = Non illustrated part # = New this model year

December 1, 2003

Group – 005

Service Brakes

GROUP 5 - Service Brakes

Illustration Title

Group-Fig. No.

Front Brakes

Front Disc Brake Caliper 'Akebono' and Rotor Fig. 005-110

Rear Brakes

Rear Disc Brake Caliper and Rotor Fig. 005-210

Power Brake Booster

Power Brake Booster Fig. 005-310

Brake Master Cylinder

Master Cylinder, Brake Fig. 005-410

Hydraulic Control Unit Fig. 005-420

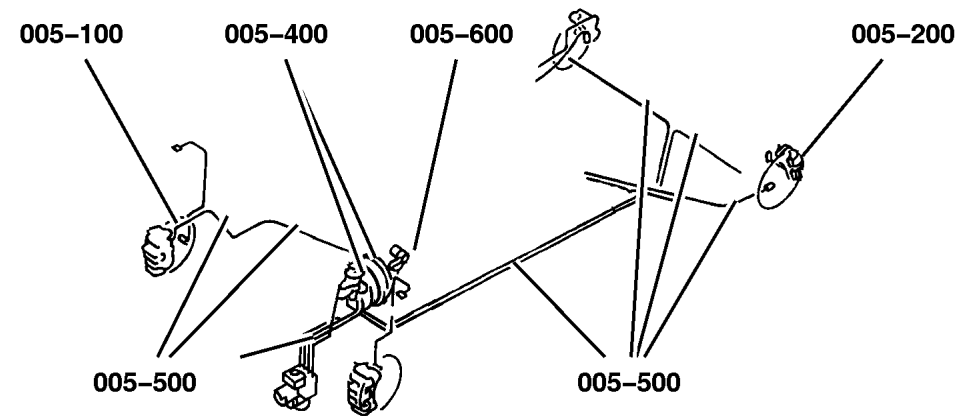
Brake Lines and Hoses

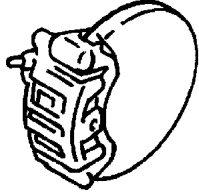
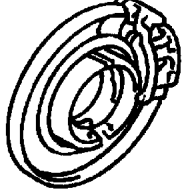
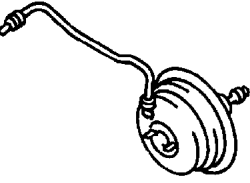
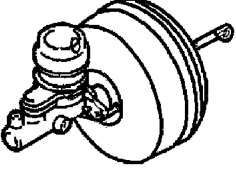
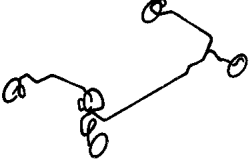

Brake Lines and Hoses, Front Fig. 005-510

Brake Lines and Hoses, Rear and Chassis Fig. 005-520

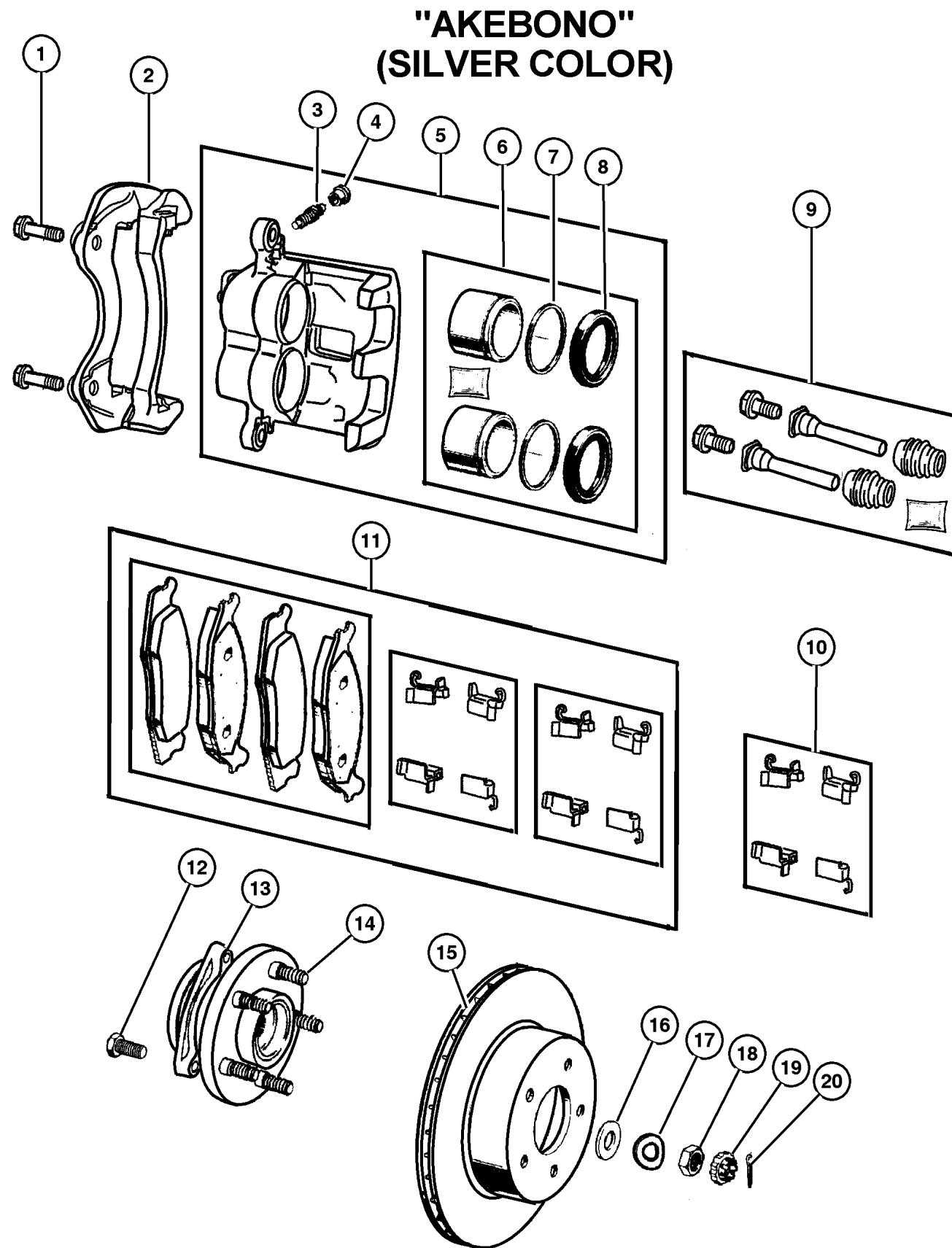
Brake Pedals

Brake Pedals, Standard and Adjustable Fig. 005-610



<p>005-100 Front Brakes</p> 	<p>005-200 Rear Brakes</p> 	<p>005-300 Power Brake Booster</p> 	<p>005-400 Brake Master Cylinder</p> 
<p>005-500 Brake Lines and Hoses</p> 	<p>005-600 Brake Pedals</p> 		

**Front Disc Brake Caliper 'Akebono' and Rotor
Figure 005-110**



ITEM	PART NUMBER	QTY	LINE	SERIES	BODY	ENGINE	TRANS	TRIM	DESCRIPTION
1									BOLT
	5012 437AA	4	T						Caliper Bracket, Mounting
		4	J						Caliper Bracket, Mounting
2									BRACKET
	5093 182AA	1	T						Caliper, Mounting
		1	J						Caliper, Mounting
3									BLEEDER SCREW, Brake
	5093 189AA	1	T						
		1	J						
4									CAP, Bleeder
	5093 190AA	1	T						
		1	J						
5									CALIPER, Disc Brake
	5093 180AA	1	T						Right
	5093 181AA	1	T						Left
	5093 180AA	1	J						Right
	5093 181AA	1	J						Left
6									PISTON KIT, Front Brake
	5093 186AA	1	T						
		1	J						
7									SEAL, Caliper Piston
	5093 187AA	2	T						
		2	J						
8									BOOT, Brake Piston
	5093 188AA	2	T						
		2	J						
9									PIN KIT, Disc Brake
	5093 184AA	1	T						
		1	J						
10									SPRING KIT, Brake Shoe Hold Down
	5093 185AA	2	T						
		2	J						
11									PAD KIT, Front Disc Brake
	5093 183AA	1	T						
		1	J						
12									BOLT
	5012 436AA	6	T						Hub and Bearing, Mounting
		6	J						Hub and Bearing, Mounting
13									HUB AND BEARING, Brake
	52098 679AD	2	T						

JEEP GRAND CHEROKEE (WJ)

SERIES
H = Laredo
M = Sport
P = Limited
S = Overland

LINE
J = 4WD
T = 2WD

BODY
74 = 4 Door

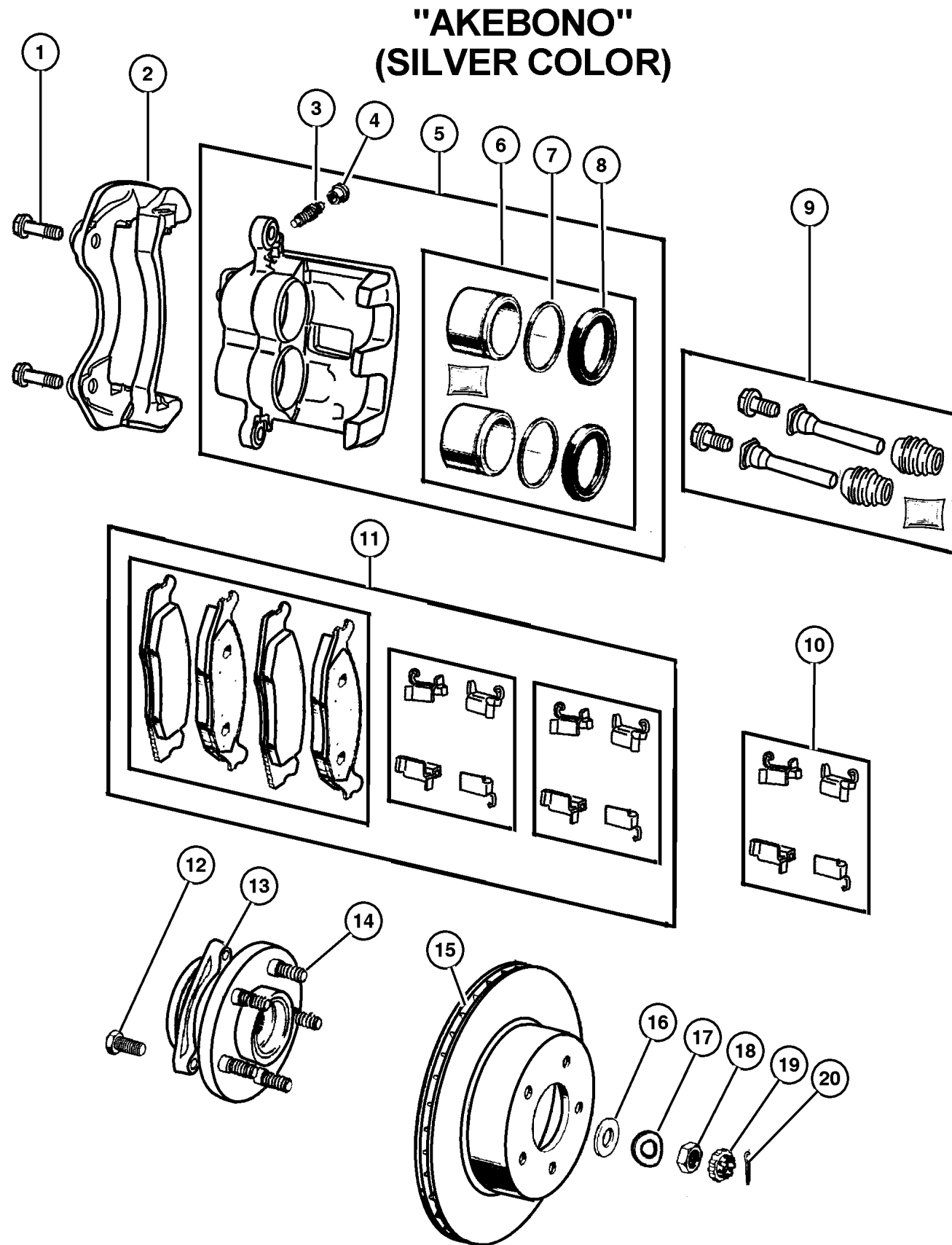
ENGINE
ERH = 4.0L, Power Tech I-6
EVA = 4.7L Power Tech V8
EVC = 4.7L HO V8 MPI
ER0 = All 4.0L 6 Cyl Gas
EVO = All 4.7L Gas

TRANSMISSION
DGK = 4 Speed Auto, 42RE
DGQ = 5 Speed Auto, 45RFE
DG0 = All Automatic Trans

AR = Use as required - = Non illustrated part # = New this model year

December 1, 2003

**Front Disc Brake Caliper 'Akebono' and Rotor
Figure 005-110**



ITEM	PART NUMBER	QTY	LINE	SERIES	BODY	ENGINE	TRANS	TRIM	DESCRIPTION
		2	J						
14	6036 424AA	10	J						BOLT, Hub and Rotor 15.3mm Around Serations, Right or Left
		10	T						15.3mm Around Serations, Right or Left
	6036 388AA	5							16.3mm Around Serations, Right or Left
15									ROTOR, Brake
	5209 8672	2	T						
		2	J						
16	J420 0096	2	T						WASHER, Flat
		2	J						
17	4740 749	2	T						WASHER, Wave
		2	J						
18	J420 0095	2	T						NUT, Hex
		2	J						
19									RETAINER, Hub Nut
	J420 0097	2	T						
		2	J						
20	1101 0069	4	T						PIN, Cotter, M4x40.00
		4	J						

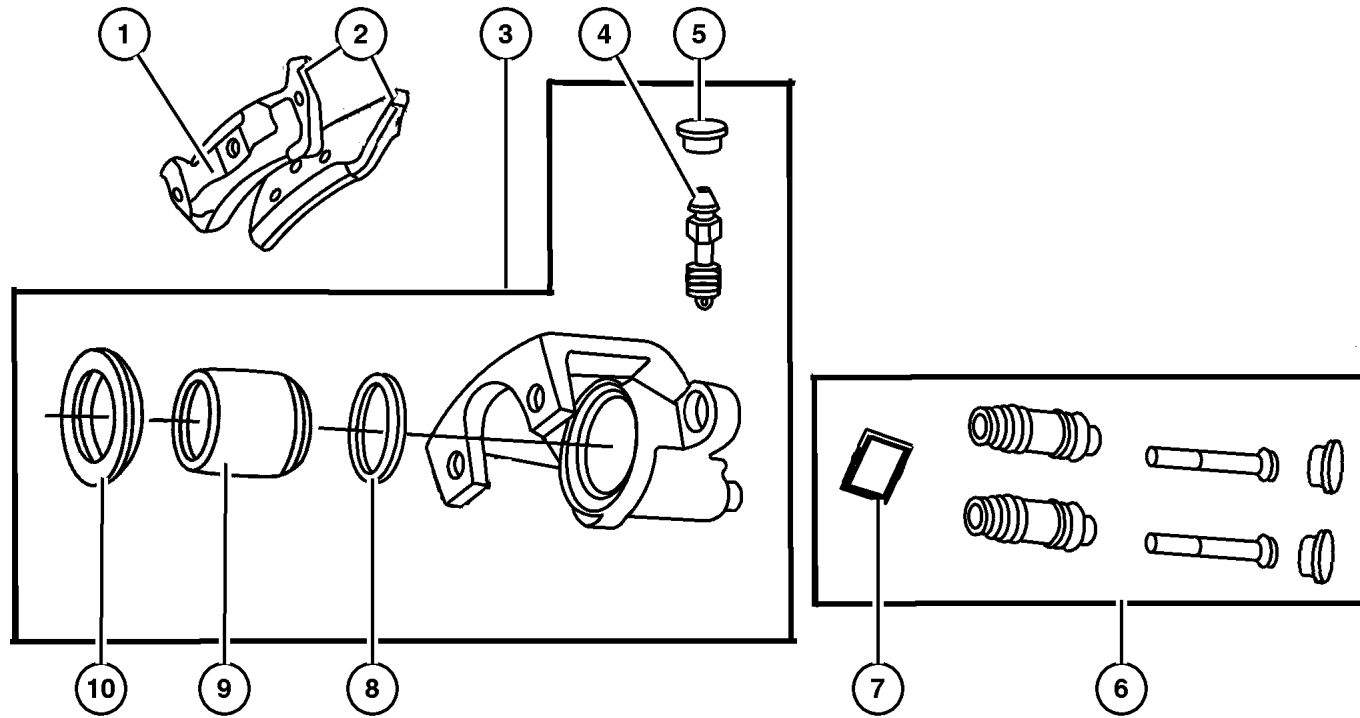
JEEP GRAND CHEROKEE (WJ)

SERIES	LINE	BODY	ENGINE	TRANSMISSION
H = Laredo	J = 4WD	74 = 4 Door	ERH = 4.0L, Power Tech I-6	DGK = 4 Speed Auto, 42RE
M = Sport	T = 2WD		EVA = 4.7L Power Tech V8	DGQ = 5 Speed Auto, 45RFE
P = Limited			EVC = 4.7L HO V8 MPI	DG0 = All Automatic Trans
S = Overland			ER0 = All 4.0L 6 Cyl Gas	
			EVO = All 4.7l Gas	

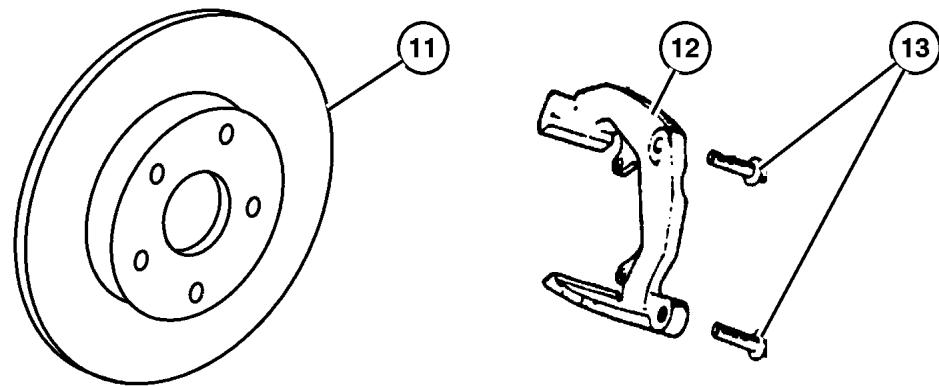
AR = Use as required - = Non illustrated part # = New this model year

December 1, 2003

**Rear Disc Brake Caliper and Rotor
Figure 005-210**



ITEM	PART NUMBER	QTY	LINE	SERIES	BODY	ENGINE	TRANS	TRIM	DESCRIPTION
1	5011 978AA	1							SPRING, Brake Shoe Hold Down, Right or Left
2	5011 970AB	1							PAD KIT, Rear Disc Brake, Includes Items 1,7, Right & Left
3									CALIPER, Disc Brake
	5011 974AA	1							Right
	5011 975AA	1							Left
4	4126 879	1							BLEEDER SCREW, Brake
5	4126 733	1							CAP, Bleeder
6	5011 981AA	1							PIN KIT, Disc Brake
7	5011 987AA	1							GREASE, Packet
8	5011 984AA	1							SEAL, Caliper Piston
9	5011 983AA	1							PISTON, Brake
10	5011 985AA	1							BOOT, Brake Piston
11	5209 8666	2							ROTOR, Brake, Right or Left
12	5011 980AA	1							BRACKET, Right or Left
13	5012 437AA	4							BOLT
-14									SENSOR, Wheel Speed
	56041 308AA	1							Right
	56041 509AA	1							Left
-15	56041 290AA	6							RETAINER, Brake Sensor Wire, ABS Sensor Cable to Brake Cable



JEEP GRAND CHEROKEE (WJ)

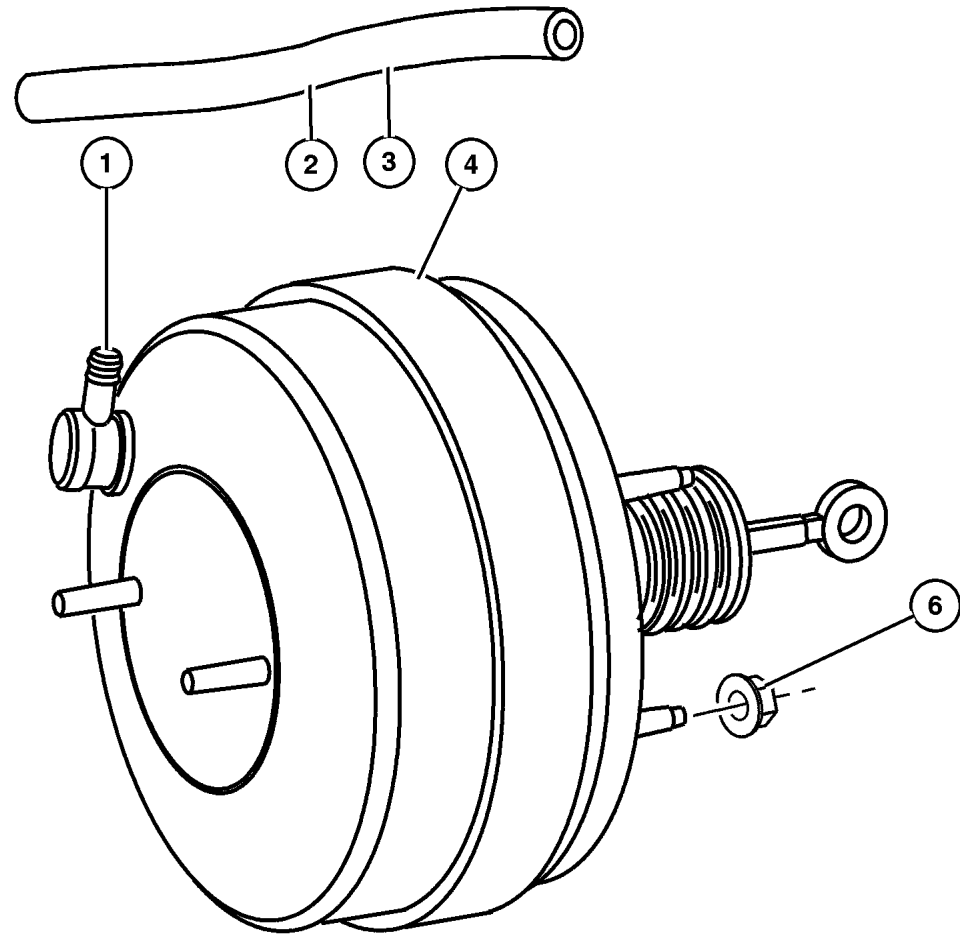
SERIES	LINE	BODY	ENGINE	TRANSMISSION
H = Laredo	J = 4WD	74 = 4 Door	ERH = 4.0L, Power Tech I-6	DGK = 4 Speed Auto, 42RE
M = Sport	T = 2WD		EVA = 4.7L Power Tech V8	DGQ = 5 Speed Auto, 45RFE
P = Limited			EVC = 4.7L HO V8 MPI	DG0 = All Automatic Trans
S = Overland			ER0 = All 4.0L 6 Cyl Gas	
			EVO = All 4.7l Gas	

AR = Use as required - = Non illustrated part # = New this model year

December 1, 2003

**Power Brake Booster
Figure 005-310**

ITEM	PART NUMBER	QTY	LINE	SERIES	BODY	ENGINE	TRANS	TRIM	DESCRIPTION
Note:Sales Codes;									
[ER0]=Engines - All 4.0L 6 Cylinder Gas									
[EV0]=Engines - All 4.7L Gas									
1	5011 263AA	1							VALVE, Check, Elbow, With Grommet
2	5212 8097	1							HOSE, Brake Vacuum, [ER0]
3	HFV00 516AB	1							HOSE, Fuel And Vapor, 25 Foot Roll 5/16", [EV0]
4	5011 261AB	1							BOOSTER, Power Brake, Includes item 1
-5	5012 506AA	1							GASKET, Booster to Firewall, Mounting
6	6100 517	4							NUT, Hex Flange Lock, Booster to Firewall, Mounting



JEEP GRAND CHEROKEE (WJ)

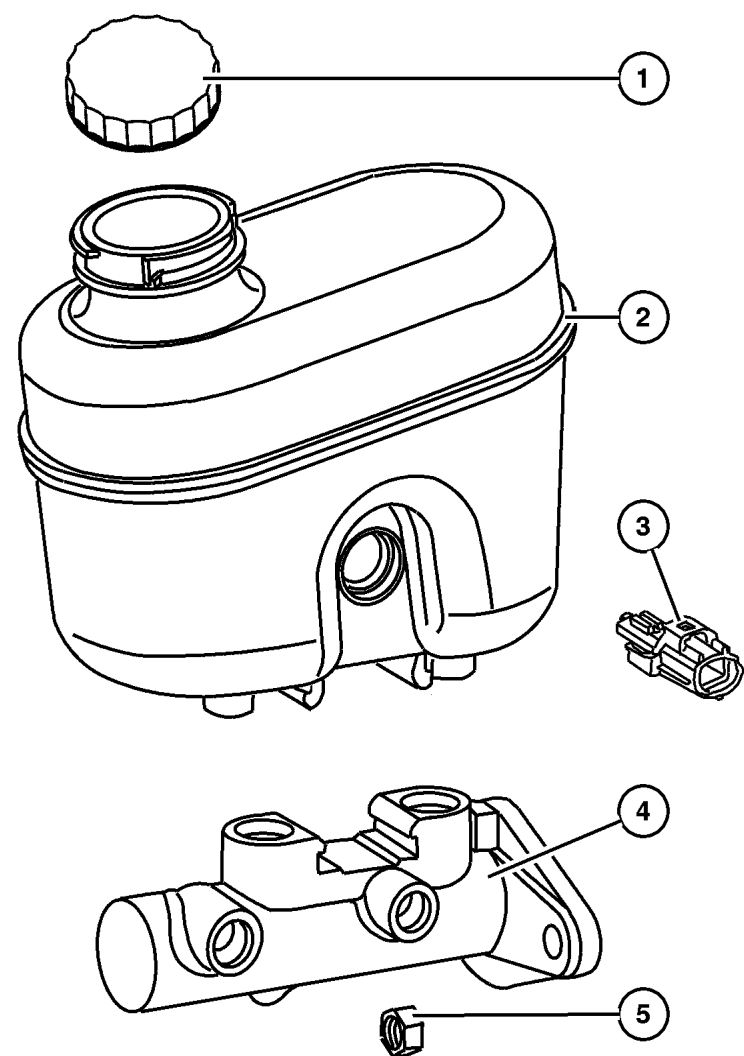
SERIES	LINE	BODY	ENGINE	TRANSMISSION
H = Laredo	J = 4WD	74 = 4 Door	ERH = 4.0L, Power Tech I-6	DGK = 4 Speed Auto, 42RE
M = Sport	T = 2WD		EVA = 4.7L Power Tech V8	DGQ = 5 Speed Auto, 45RFE
P = Limited			EVC = 4.7L HO V8 MPI	DG0 = All Automatic Trans
S = Overland			ER0 = All 4.0L 6 Cyl Gas	
			EV0 = All 4.7L Gas	

AR = Use as required - = Non illustrated part # = New this model year

December 1, 2003

**Master Cylinder, Brake
Figure 005-410**

ITEM	PART NUMBER	QTY	LINE	SERIES	BODY	ENGINE	TRANS	TRIM	DESCRIPTION
1	5014 518AA	1							CAP, Master Cylinder Reservoir
2	5011 262AA	1							RESERVOIR, Brake Master Cylinder, Includes Items 1,3
3	5013 903AA	1							SENSOR, Brake Fluid Level
4	5011 260AA	1							MASTER CYLINDER, Brake
5	6101 467	2							NUT, Hex Flange, M8x1.25, Master Cylinder to Booster, Mounting



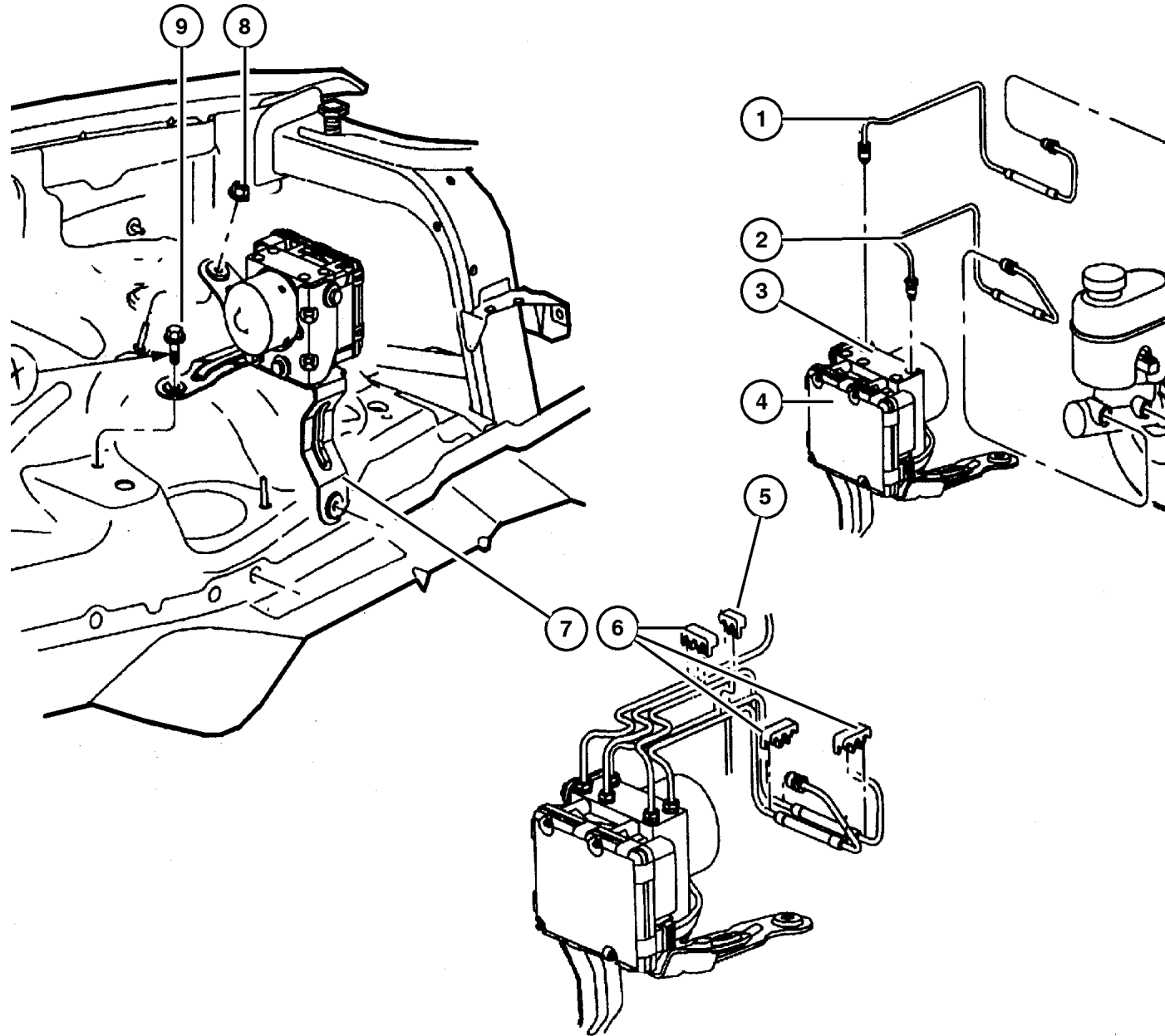
JEEP GRAND CHEROKEE (WJ)

SERIES	LINE	BODY	ENGINE	TRANSMISSION
H = Laredo	J = 4WD	74 = 4 Door	ERH = 4.0L, Power Tech I-6	DGK = 4 Speed Auto, 42RE
M = Sport	T = 2WD		EVA = 4.7L Power Tech V8	DGQ = 5 Speed Auto, 45RFE
P = Limited			EVC = 4.7L HO V8 MPI	DG0 = All Automatic Trans
S = Overland			ER0 = All 4.0L 6 Cyl Gas	
			EVO = All 4.7l Gas	

AR = Use as required - = Non illustrated part # = New this model year

December 1, 2003

Hydraulic Control Unit Figure 005-420



ITEM	PART NUMBER	QTY	LINE	SERIES	BODY	ENGINE	TRANS	TRIM	DESCRIPTION
1	52080 409AA	1							HOSE, Brake, Master Cylinder to HCU, Primary
2	52080 410AA	1							HOSE, Brake, Master Cylinder to HCU, Secondary
3									CONTROL UNIT, Anti-Lock Brake
	5066 657AB	1	J						
		1	T						
4									MODULE, Anti-lock Brakes
	5066 653AB	1	J						
		1	T						
5	5200 8940	1							CLIP, Brake Line, 2-Way, Mounting
6	5200 9163	2							CLIP, Brake Line, 3-Way, Mounting
7	5011 257AA	1	J						BRACKET, Hydraulic Control Unit, Mounting
8	3420 1711	1							NUT, Hex Flange, M8x1.25, HCU Bracket, Mounting
9	6505 923AA	2							BOLT, HCU Bracket, Mounting
-10	6101 838	2	J						SCREW, Hex Head, HCU Bracket to Sill, Mounting

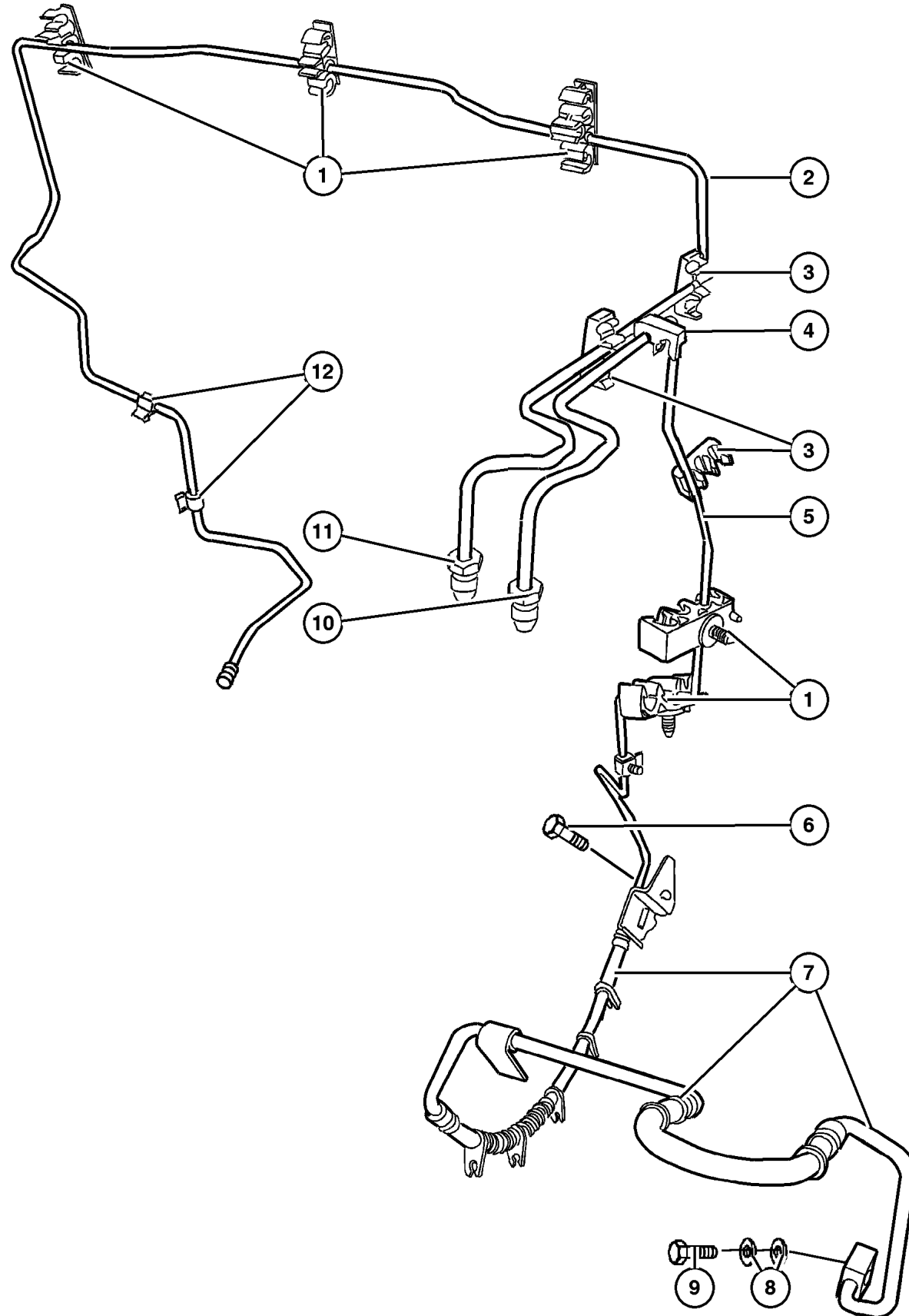
JEEP GRAND CHEROKEE (WJ)

SERIES	LINE	BODY	ENGINE	TRANSMISSION
H = Laredo	J = 4WD	74 = 4 Door	ERH = 4.0L, Power Tech I-6	DGK = 4 Speed Auto, 42RE
M = Sport	T = 2WD		EVA = 4.7L Power Tech V8	DGQ = 5 Speed Auto, 45RFE
P = Limited			EVC = 4.7L HO V8 MPI	DG0 = All Automatic Trans
S = Overland			ER0 = All 4.0L 6 Cyl Gas	
			EVO = All 4.7l Gas	

AR = Use as required - = Non illustrated part # = New this model year

December 1, 2003

**Brake Lines and Hoses,Front
Figure 005-510**



ITEM	PART NUMBER	QTY	LINE	SERIES	BODY	ENGINE	TRANS	TRIM	DESCRIPTION
------	-------------	-----	------	--------	------	--------	-------	------	-------------

Note: Item 7-The 94MM/205MM length referred to is the tube between the banjo fitting and where the tube goes into the hose.

1	5212 8214	3							CLIP, Brake Line, To Plenum-2-Way
2	52128 366AB	1							TUBE, Brake, Right
3	5200 9163	2							CLIP, Brake Line, 3-Way, Mounting
4	5200 8940	1							CLIP, Brake Line, 2-Way, Mounting
5	52128 441AA	1							TUBE, Brake, HCU to Front Brake Hose, Left
6									BOLT
	J420 0158	2							Brake Hose to Spring Seat, Mounting
		2							Brake Hose to Sill, Mounting
7									HOSE, Brake
	52128 092AB	1							94MM-See Note at Top of Page, Right
	#52080 406AA	1							205MM-See Note at Top of Page, Right
	52128 093AB	1							94MM-See Note at Top of Page, Left
	#52080 405AA	1							205MM-See Note at Top of Page, Left
8	6035 886	8							GASKET, Brake Hose To Caliper, Mounting
9	6035 832	4							BOLT, Banjo, Brake Hose to Caliper, Mounting
10	3200 0411	1							NUT, Brake Line, To HCU
11	6503 399	1							NUT, Brake Line, To HCU
12	5200 9234	3							FASTENER, Push Pin, Brake Tube to Sill, Mounting

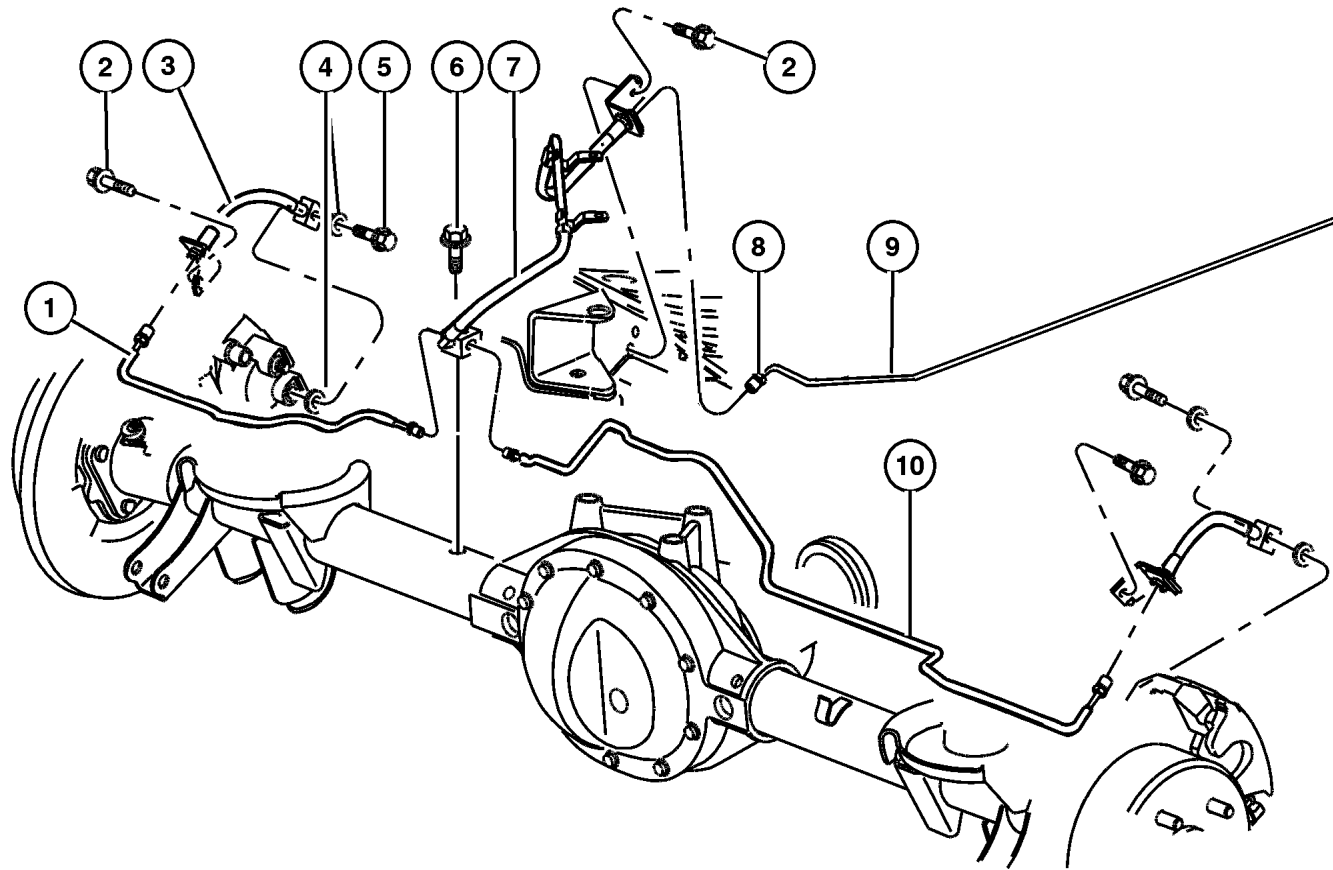
JEEP GRAND CHEROKEE (WJ)

SERIES	LINE	BODY	ENGINE	TRANSMISSION
H = Laredo	J = 4WD	74 = 4 Door	ERH = 4.0L, Power Tech I-6	DGK = 4 Speed Auto, 42RE
M = Sport	T = 2WD		EVA = 4.7L Power Tech V8	DGQ = 5 Speed Auto, 45RFE
P = Limited			EVC = 4.7L HO V8 MPI	DG0 = All Automatic Trans
S = Overland			ER0 = All 4.0L 6 Cyl Gas	
			EVO = All 4.7L Gas	

AR = Use as required - = Non illustrated part # = New this model year

December 1, 2003

**Brake Lines and Hoses, Rear and Chassis
Figure 005-520**



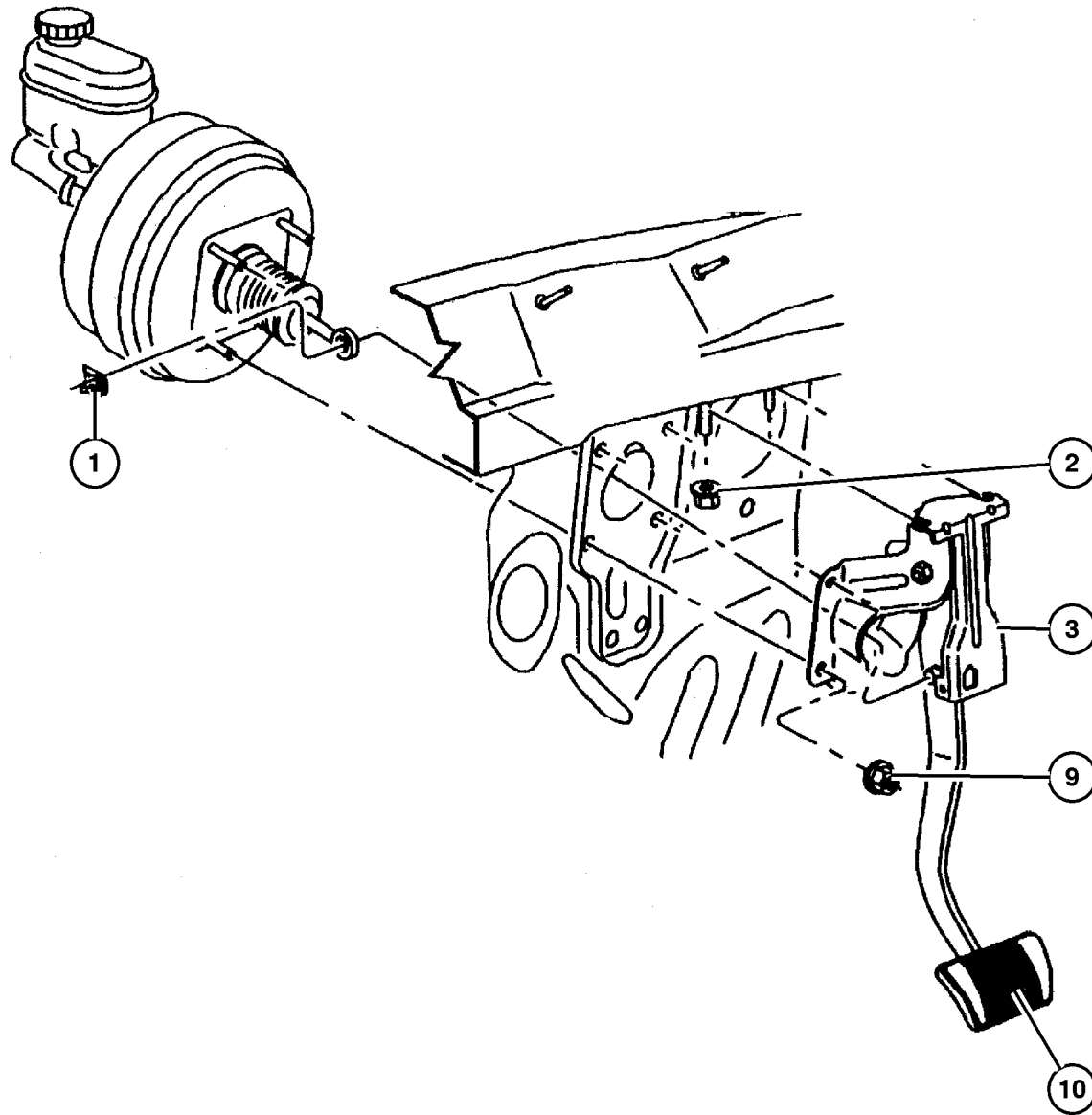
ITEM	PART NUMBER	QTY	LINE	SERIES	BODY	ENGINE	TRANS	TRIM	DESCRIPTION
1	52128 440AA	1							TUBE, Brake, Left
2	J420 0158	2							BOLT Brake Hose to Spring Seat, Right or Left
		2							Brake Hose to Control Arm, Right or Left
		1							Brake Hose to Sill
3	5212 8094	1							HOSE, Brake Right
	5212 8095	1							Left
4	6035 886	8							GASKET, Brake Hose To Caliper, Right & Left
5	6035 832	4							BOLT, Banjo, Right & Left
6	4137 696	1							SCREW, Brake Tee, .437-20x2.07
7	52128 096AB	1							HOSE, Brake, With Tee
8	6503 707	1							NUT, Brake Line
9	52128 438AC	1							TUBE, Brake, Rear
10	52128 439AA	1							TUBE, Brake, Right
-11	56041 308AA	1							SENSOR, Wheel Speed Right
	56041 509AA	1							Left

JEEP GRAND CHEROKEE (WJ)

SERIES	LINE	BODY	ENGINE	TRANSMISSION
H = Laredo	J = 4WD	74 = 4 Door	ERH = 4.0L, Power Tech I-6	DGK = 4 Speed Auto, 42RE
M = Sport	T = 2WD		EVA = 4.7L Power Tech V8	DGQ = 5 Speed Auto, 45RFE
P = Limited			EVC = 4.7L HO V8 MPI	DG0 = All Automatic Trans
S = Overland			ER0 = All 4.0L 6 Cyl Gas	
			EVO = All 4.7l Gas	

Brake Pedals, Standard and Adjustable
Figure 005-610

ITEM	PART NUMBER	QTY	LINE	SERIES	BODY	ENGINE	TRANS	TRIM	DESCRIPTION
Note: Sales Codes;									
[XAM]=Pedals - Power Adjustable with Memory									
[XAP]=Pedals - Power Adjustable									
1	6035 334	1							CLIP, Brake Push Rod, Mounting
2	6100 050	2							NUT AND WASHER, Hex, M8x1.25, Pedal Bracket, Mounting
3	52128 148AD	1							PEDAL, Brake Without [XAM,XAP]
	52129 200AF	1							With [XAM,XAP]
-4	5073 040AA	1							HARNESS, With [XAM,XAP]
-5	5073 041AA	1							MOTOR, Adjustable Brake and Accelerator Pedal, With [XAM,XAP]
-6	5072 251AA	1							MODULE, Brake Pedal, With [XAM, XAP]
-7	4671 336	1							SWITCH, Stop Lamp, Without [XAM, XAP]
-8	5HU33 1DVAB	1							SWITCH, Adjustable Pedals With [XAM,XAP] DB
	5HU33 1L8AB	1							With [XAM,XAP] DV
	5HU33 1TMAB	1							With [XAM,XAP] L5 With [XAM,XAP] T5
9	6100 517	4							NUT, Hex Flange Lock, Booster to Firewall, Mounting
10	4779 027	1							PAD, Pedal



JEEP GRAND CHEROKEE (WJ)

SERIES	LINE	BODY	ENGINE	TRANSMISSION
H = Laredo	J = 4WD	74 = 4 Door	ERH = 4.0L, Power Tech I-6	DGK = 4 Speed Auto, 42RE
M = Sport	T = 2WD		EVA = 4.7L Power Tech V8	DGQ = 5 Speed Auto, 45RFE
P = Limited			EVC = 4.7L HO V8 MPI	DG0 = All Automatic Trans
S = Overland			ER0 = All 4.0L 6 Cyl Gas	
			EVO = All 4.7l Gas	

AR = Use as required - = Non illustrated part # = New this model year

December 1, 2003

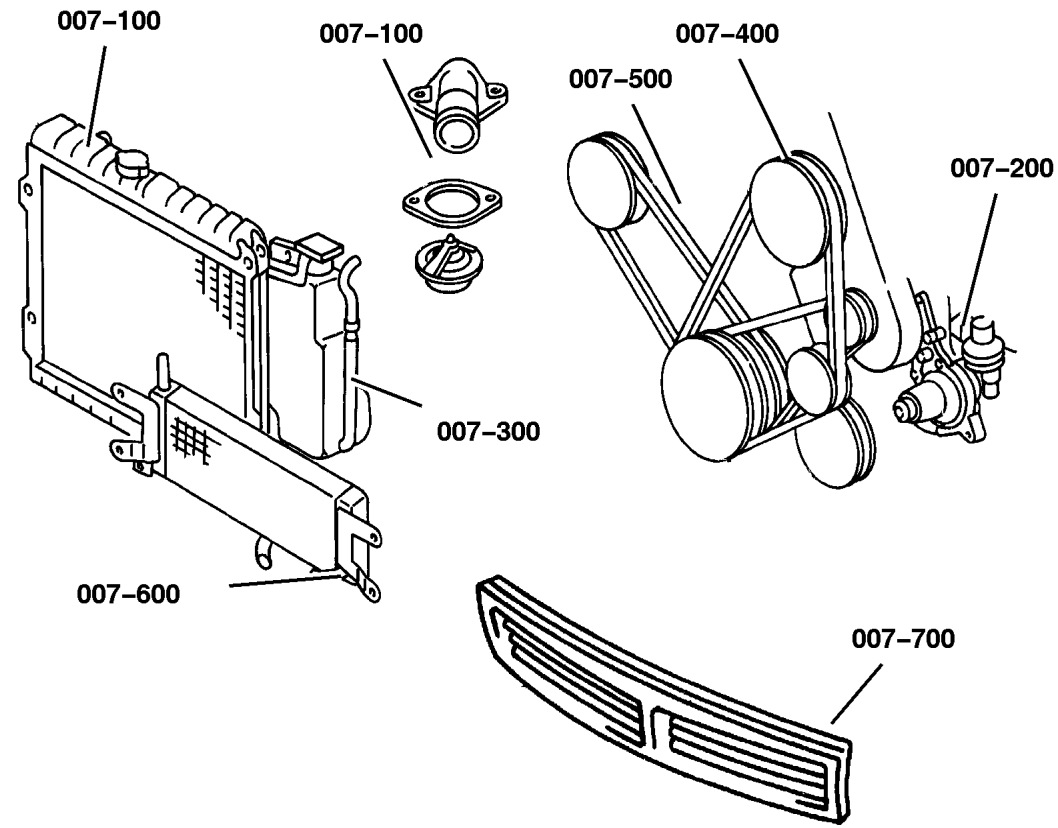
Group – 007

Cooling

GROUP 7 - Cooling

Illustration Title

Group-Fig. No.



Radiator and Related Parts

Radiator and Related Parts 4.0L Engine	Fig. 007-150
Radiator and Related Parts 4.7L Engine	Fig. 007-160
Radiator Upper Support	Fig. 007-170

Water Pump and Related Parts

Water Pump and Related Parts 4.0L Engine	Fig. 007-210
Water Pump and Related Parts 4.7L Engine	Fig. 007-220

Tank, Coolant Engine

Coolant Tank, 4.0,4.7L Engine	Fig. 007-310
-------------------------------------	--------------

Pulleys and Related Parts

Drive Pulleys 4.0L Engine	Fig. 007-420
Drive Pulleys 4.7L Engine	Fig. 007-430

Drive Belts

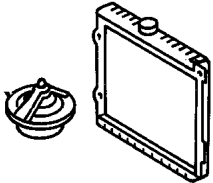
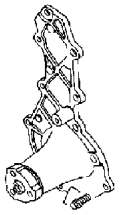
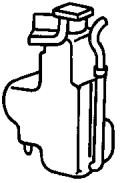
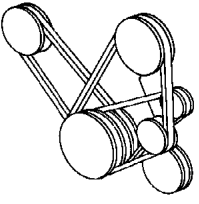
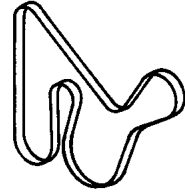
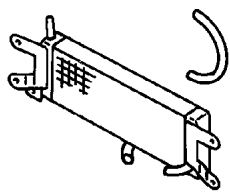
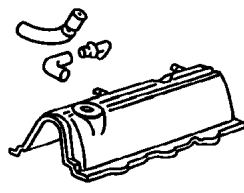
Drive Belts 4.0L and 4.7L Engines	Fig. 007-520
---	--------------

Lines, Transmission Oil Cooler

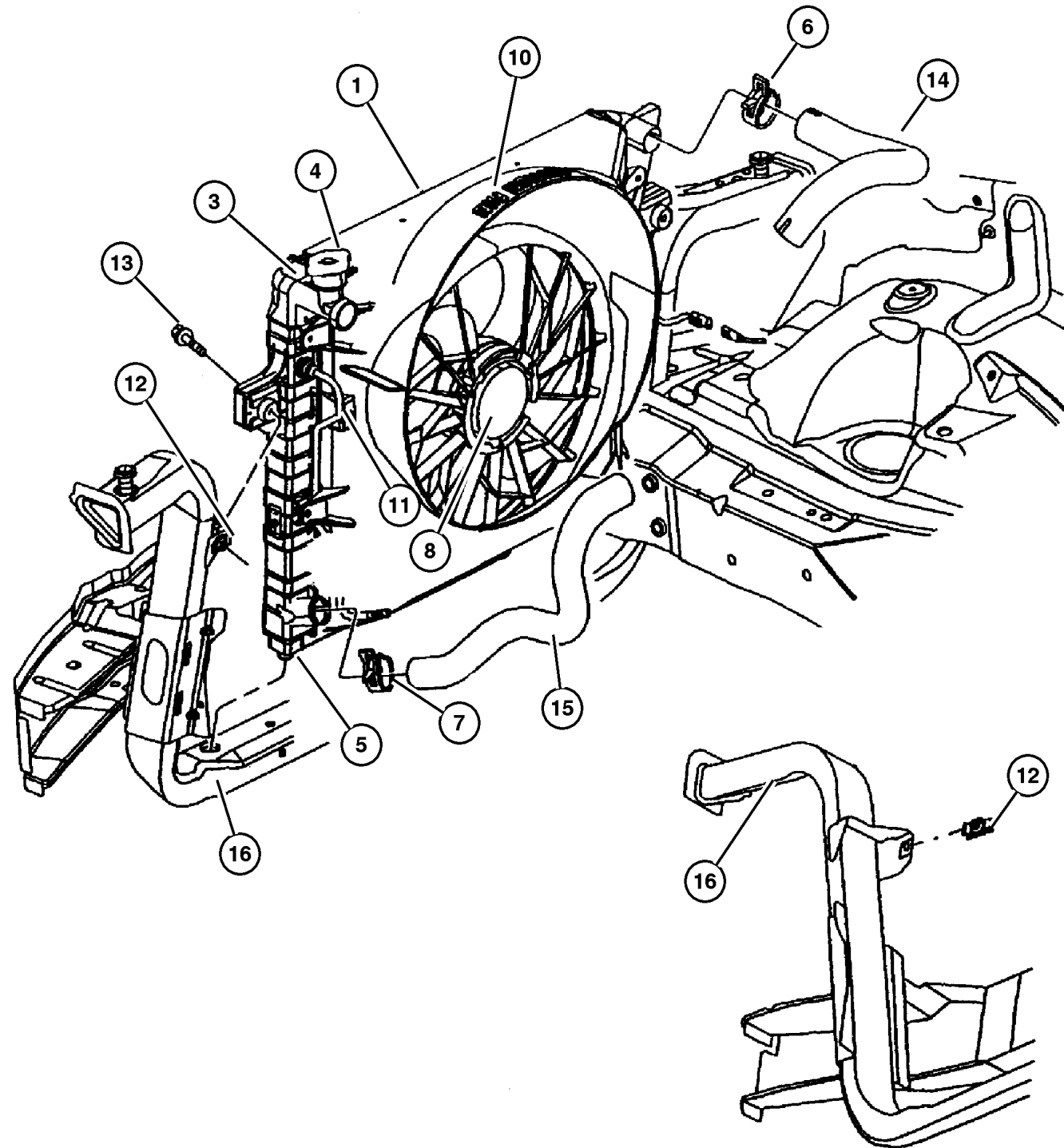
Oil Cooler and Lines 4.0L Engines	Fig. 007-610
Oil Cooler and Lines 4.7L Engine	Fig. 007-620

Grilles

Grille and Related Parts	Fig. 007-720
--------------------------------	--------------

<p>007-100 Radiator and Related Parts</p> 	<p>007-200 Water Pump and Related Parts</p> 	<p>007-300 Tank, Coolant Engine</p> 	<p>007-400 Pulleys and Related Parts</p> 
<p>007-500 Drive Belts</p> 	<p>007-600 Lines, Transmission Oil Cooler</p> 	<p>007-700 Grilles</p> 	

Radiator and Related Parts 4.0L Engine Figure 007-150



ITEM	PART NUMBER	QTY	LINE	SERIES	BODY	ENGINE	TRANS	TRIM	DESCRIPTION
Note: Sales Code ER0 = 4.0L Engine									
Note: Sales Code DG0 = All Auto Trans									
1	55115 918AC	1				ER0	DG0		CONDENSER, Air Conditioning
-2	#55116 931AA	1				ER0	DG0		COOLER, Condenser and Aux TOC
3									RADIATOR, Engine Cooling
	#52079 428AD	1				ER0	DG0		[Up To 2-20-03]
	#55037 722AA	1				ER0	DG0		[After 2-20-03]
4	55116 901AA	1				ER0	DG0		CAP, Radiator
5	5207 9419	2				ER0	DG0		ISOLATOR, Radiator
6	52079 632AA	1				ER0	DG0		CLAMP, Oil Cooler Tube
7	52079 632AA	1				ER0	DG0		CLAMP, Oil Cooler Tube
8									FAN, Cooling
	52079 984AA	1				ER0			Mechanical
	#52079 528AD	1				ER0	DG0		Electric
-9	55116 813AA	1				ER0			VISCOUS CLUTCH, Fan Drive
10	52079 489AB	1				ER0	DG0		SHROUD, Fan
11									TUBE, Oil Cooler
	#52079 432AC	1				ER0	DG0		Pressure
	52079 782AB	1				ER0	DG0		Return
12	6505 172AA	4				ER0	DG0		U-NUT, M6x1.00
13	6102 117AA	4				ER0	DG0		SCREW AND WASHER, Hex Head, M6x1x20
14	52079 406AC	1				ER0			HOSE, Radiator Inlet
15	52079 401AB	1				ER0			HOSE, Radiator Outlet
16	55135 870AE	1							CROSSMEMBER, Radiator
-17	53020 547AC	1				ER0			GASKET, Thermostat
-18	5300 6192	1				ER0			HOUSING, Thermostat
-19	52028 186AB	1				ER0			THERMOSTAT, 195 Degrees

JEEP GRAND CHEROKEE (WJ)

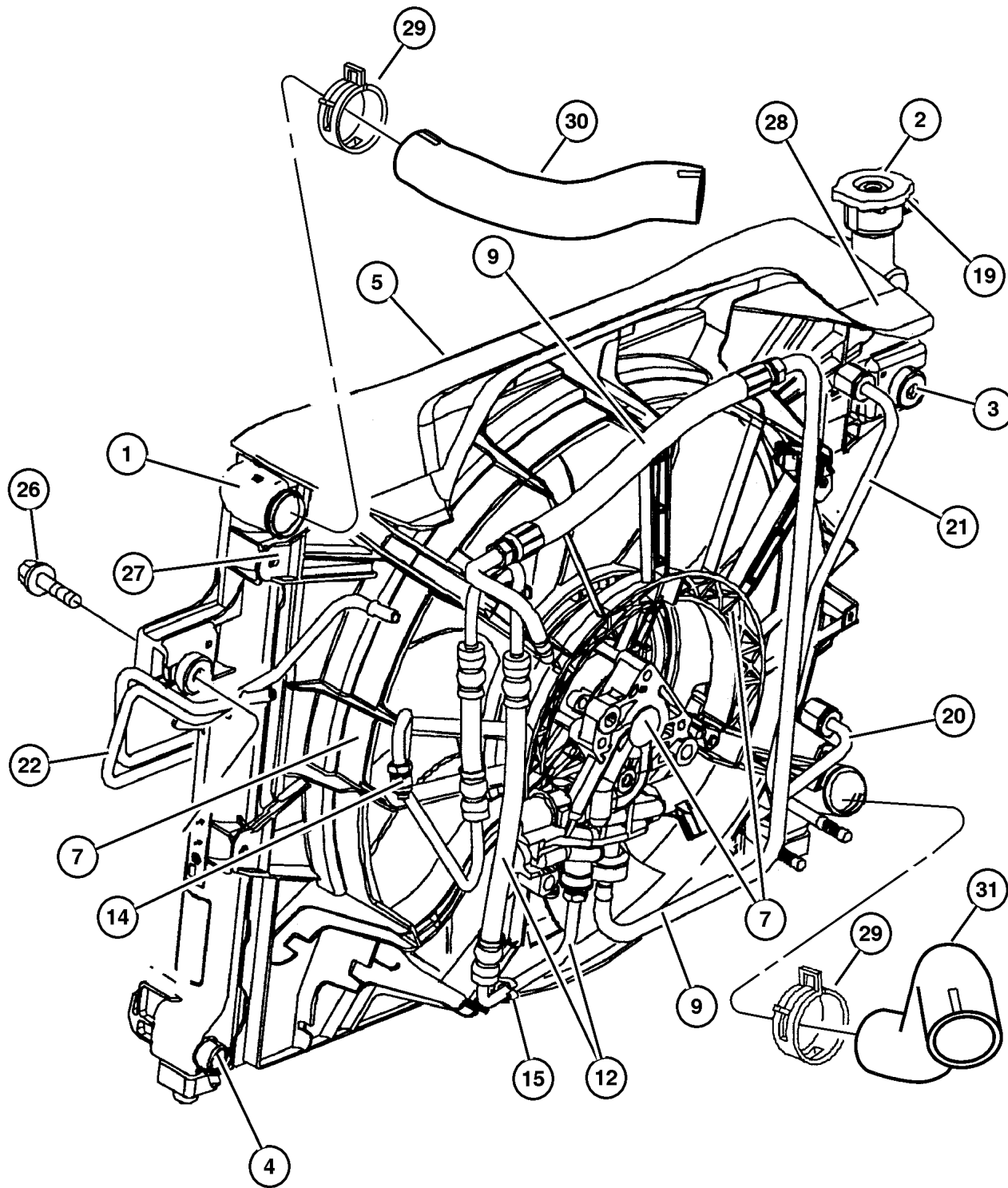
SERIES	LINE	BODY	ENGINE	TRANSMISSION
H = Laredo	J = 4WD	74 = 4 Door	ERH = 4.0L, Power Tech I-6	DGK = 4 Speed Auto, 42RE
M = Sport	T = 2WD		EVA = 4.7L Power Tech V8	DGQ = 5 Speed Auto, 45RFE
P = Limited			EVC = 4.7L HO V8 MPI	DG0 = All Automatic Trans
S = Overland			ER0 = All 4.0L 6 Cyl Gas	
			EVO = All 4.7L Gas	

AR = Use as required - = Non illustrated part # = New this model year

December 1, 2003

Radiator and Related Parts 4.7L Engine Figure 007-160

ITEM	PART NUMBER	QTY	LINE	SERIES	BODY	ENGINE	TRANS	TRIM	DESCRIPTION
Note:									
ERO = All 4.0L Engines									
EVO = All 4.7L Engine									
1	52079 883AC	1				EVO			RADIATOR, Engine Cooling
2	55116 897AA	1				EVO			CAP, Radiator
3									ISOLATOR, Radiator
	5207 9419	2				EVO			Upper
	52079 884AA	2				EVO			Sides
4	52028 466AB	1				EVO			DRAINCOCK, Radiator
5	55115 918AC	1				EVO			CONDENSER, Air Conditioning
-6	#55116 931AA	1				EVO			COOLER, Condenser and Aux TOC
7	52079 860AA	1				EVO			SHROUD, Fan
-8	5102 210AA	1				EVO			SOLENOID, Hydraulic Fan Control
9	5019 708AB	1				EVO			HOSE PACKAGE, Hydraulic Fan
-10	52088 914AA	1				EVO			FITTING, Quick Disconnect
-11	5019 705AA	1				EVO			O RING
12	52089 505AD	1				EVO			HOSE, Power Steering Pressure
-13									NUT, M16x1.5, (NOT SERVICED) (Not Serviced)
14	5205 254	1				EVO			O RING, Power Steering Hose
15	52079 929AB	2				EVO			CLIP, Line
-16	52080 135AA	1				EVO			HARNES, Jumper
-17	52079 632AA	1				EVO	DG0		CLAMP, Oil Cooler Tube
-18	4026 139	1				EVO	DG0		HOSE, Oil Cooler
19									HOSE, Drain, (NOT SERVICED) (Not Serviced)
20									TUBE, Oil Cooler
	52079 861AA	1				EVO			[Up To 2-20-03], Pressure
	#55037 720AA	1				EVO			[After 2-20-03], Pressure
21	#52079 862AB	1				EVO			TUBE, Return
22	#55037 723AA	1				EVO			TUBE, Oil Cooler
-23	52079 948AB	1				EVO			COOLER, Power Steering
-24	4546 594	1				EVO			SLEEVE, Braided Expandable
-25	6505 172AA	4				EVO			U-NUT, M6x1.00
26	6102 117AA	4				EVO			SCREW AND WASHER, Hex Head, M6x1x20
27									PIN, Push, .15x.41, (NOT SERVICED) (Not Serviced)
28	5303 0960	1				EVO			LABEL, Belt Routing
29	5200 5580	1				ERO, EVO			CLAMP, Hose to Radiator



JEEP GRAND CHEROKEE (WJ)

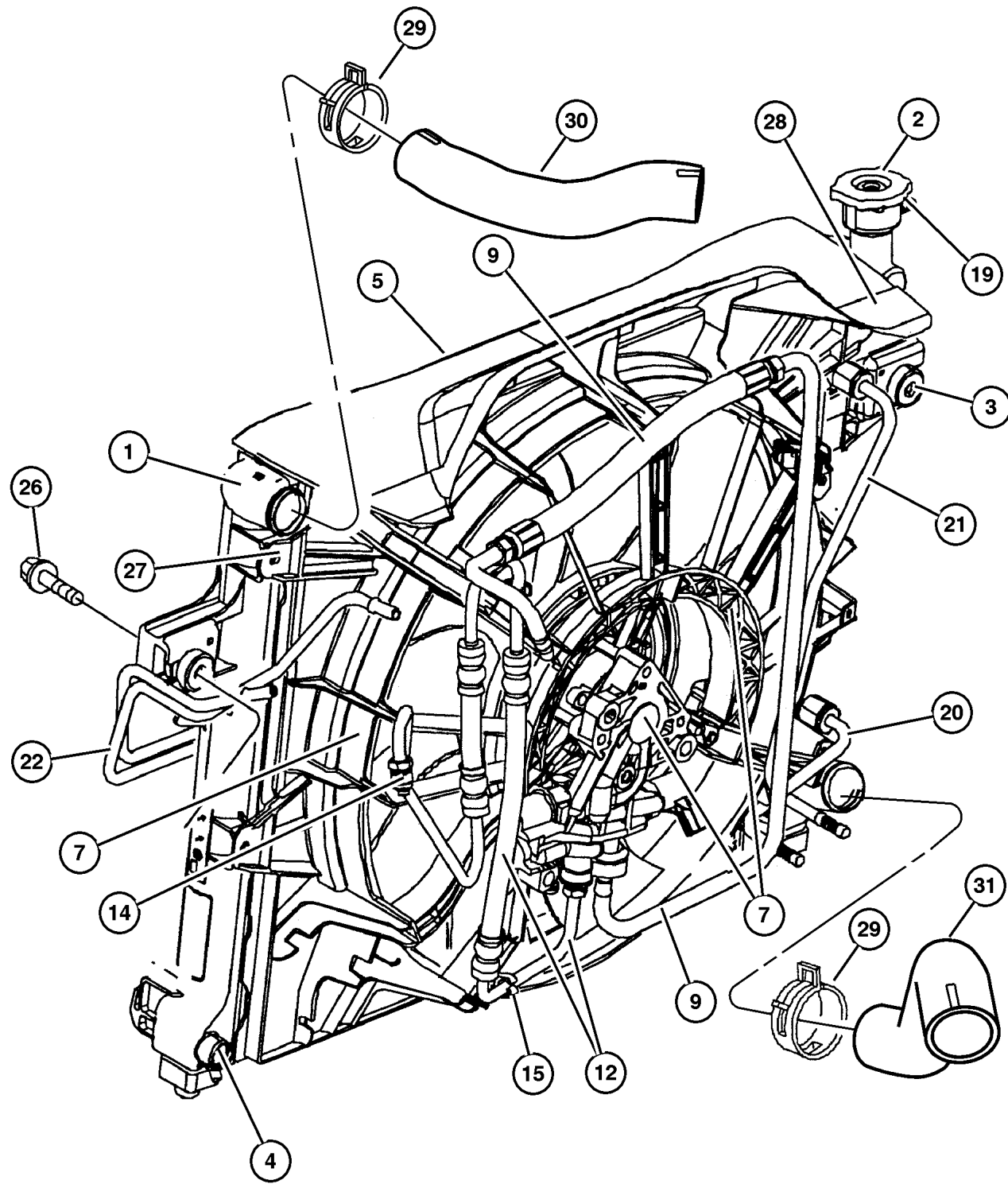
SERIES	LINE	BODY	ENGINE	TRANSMISSION
H = Laredo	J = 4WD	74 = 4 Door	ERH = 4.0L, Power Tech I-6	DGK = 4 Speed Auto, 42RE
M = Sport	T = 2WD		EVA = 4.7L Power Tech V8	DGQ = 5 Speed Auto, 45RFE
P = Limited			EVC = 4.7L HO V8 MPI	DG0 = All Automatic Trans
S = Overland			ERO = All 4.0L 6 Cyl Gas	
			EVO = All 4.7L Gas	

AR = Use as required - = Non illustrated part # = New this model year

December 1, 2003

Radiator and Related Parts 4.7L Engine Figure 007-160

ITEM	PART NUMBER	QTY	LINE	SERIES	BODY	ENGINE	TRANS	TRIM	DESCRIPTION
30	55116 792AA	1				EVO			HOSE, Radiator Inlet
31	52079 873AA	1				EVO			HOSE, Radiator Outlet

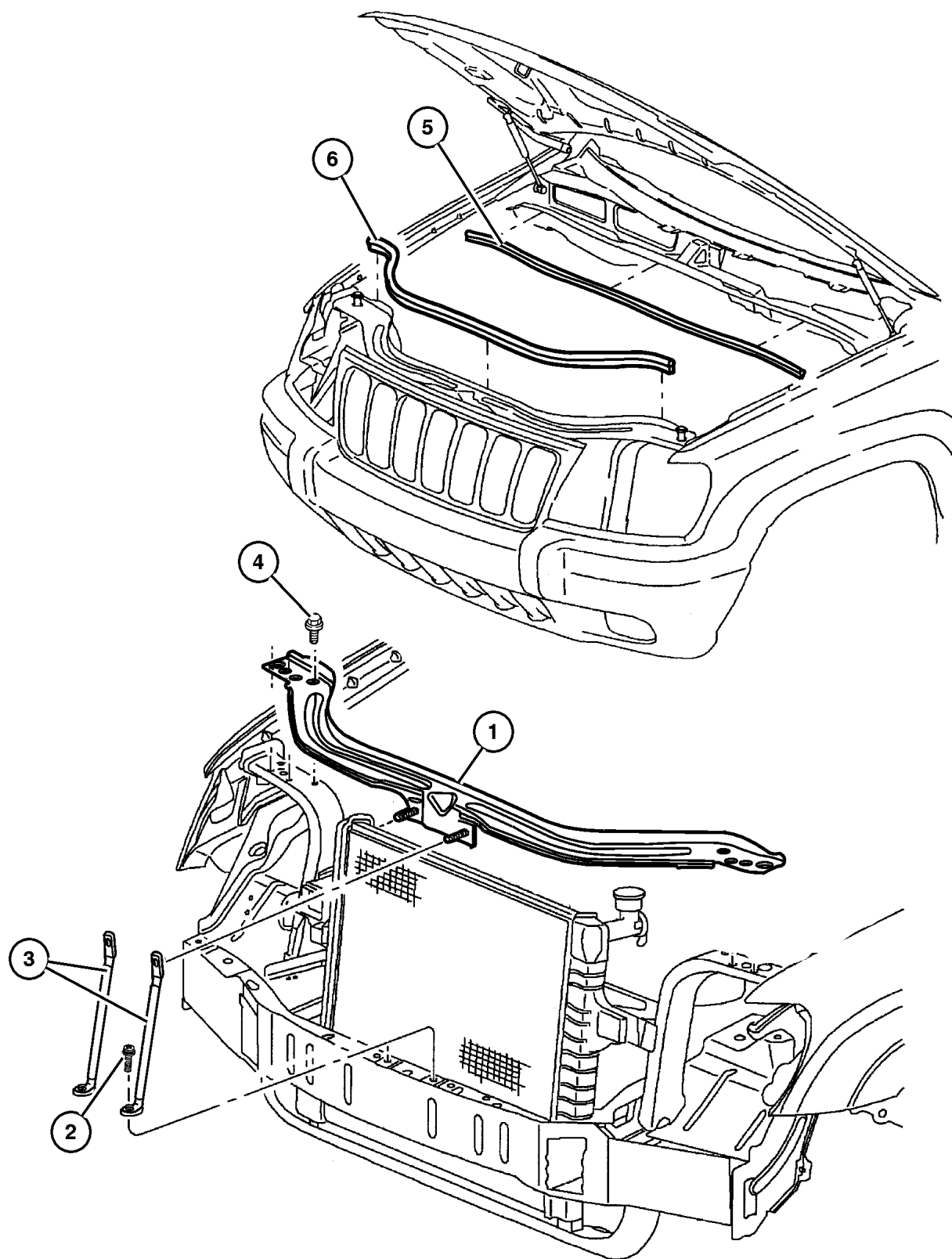


JEEP GRAND CHEROKEE (WJ)				
SERIES	LINE	BODY	ENGINE	TRANSMISSION
H = Laredo	J = 4WD	74 = 4 Door	ERH = 4.0L, Power Tech I-6	DGK = 4 Speed Auto, 42RE
M = Sport	T = 2WD		EVA = 4.7L Power Tech V8	DGQ = 5 Speed Auto, 45RFE
P = Limited			EVC = 4.7L HO V8 MPI	DG0 = All Automatic Trans
S = Overland			ER0 = All 4.0L 6 Cyl Gas	
			EVO = All 4.7L Gas	

AR = Use as required - = Non illustrated part # = New this model year

December 1, 2003

Radiator Upper Support Figure 007-170



ITEM	PART NUMBER	QTY	LINE	SERIES	BODY	ENGINE	TRANS	TRIM	DESCRIPTION
1	5207 9416	1							CROSSMEMBER, Radiator
2									SCREW, Round Head, M6x1x25, (NOT SERVICED) (Not Serviced)
3	55136 273AB	2							BRACE, Radiator Crossmember
4	6505 814AA	4							SCREW, M8x1.25x20
5	55135 392AC	1							SEAL, Hood To Plenum
6	55135 398AC	1							SEAL, Hood
-7									BRACKET, Radiator, Support to Sill
	55136 170AC	1							Right
	55136 171AC	1							Left

JEEP GRAND CHEROKEE (WJ)

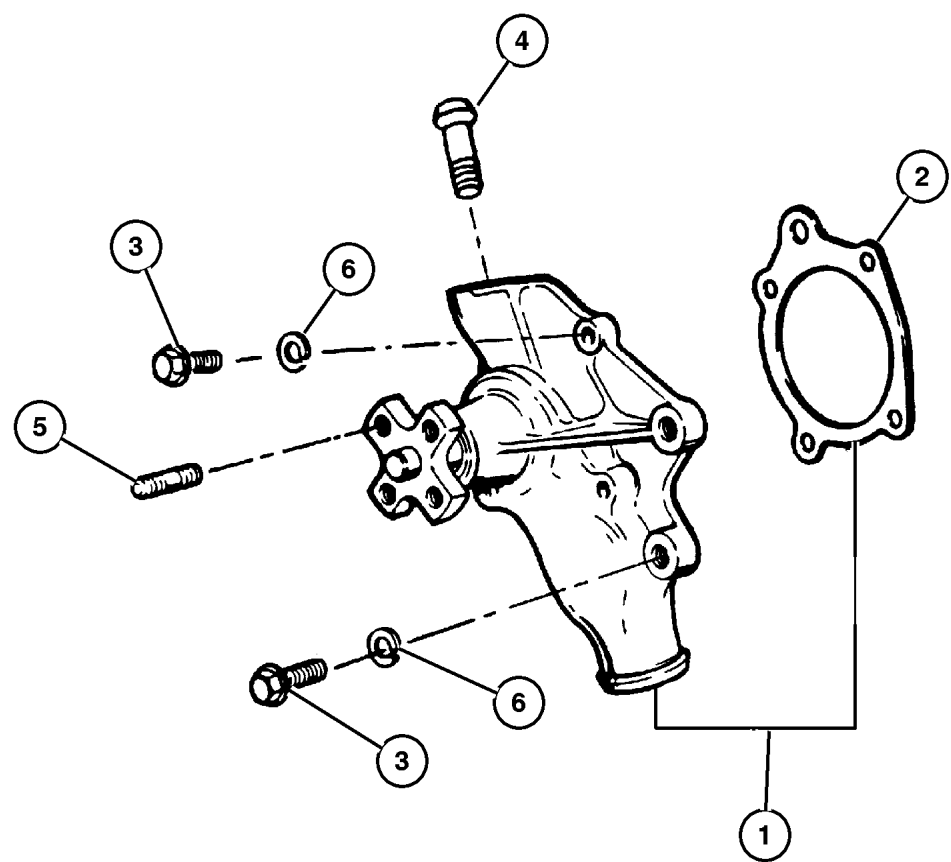
SERIES	LINE	BODY	ENGINE	TRANSMISSION
H = Laredo	J = 4WD	74 = 4 Door	ERH = 4.0L, Power Tech I-6	DGK = 4 Speed Auto, 42RE
M = Sport	T = 2WD		EVA = 4.7L Power Tech V8	DGQ = 5 Speed Auto, 45RFE
P = Limited			EVC = 4.7L HO V8 MPI	DG0 = All Automatic Trans
S = Overland			ER0 = All 4.0L 6 Cyl Gas	
			EVO = All 4.7L Gas	

AR = Use as required - = Non illustrated part # = New this model year

December 1, 2003

**Water Pump and Related Parts 4.0L Engine
Figure 007-210**

ITEM	PART NUMBER	QTY	LINE	SERIES	BODY	ENGINE	TRANS	TRIM	DESCRIPTION
Note: Sales Code ER0 = 4.0L Engine									
1	5012 366AC	1				ER0			PUMP PACKAGE, Water
2	53010 419AB	1				ER0			GASKET, Water Pump
3	6036 004AA	4				ER0			SCREW
4	5300 7978	1				ER0			TUBE, Water Pump Heater Return
5									STUD, .312-18/.312-24x1.250, (NOT SERVICED) (Not Serviced)
6	5013 014AA	1	J			ER0			WASHER

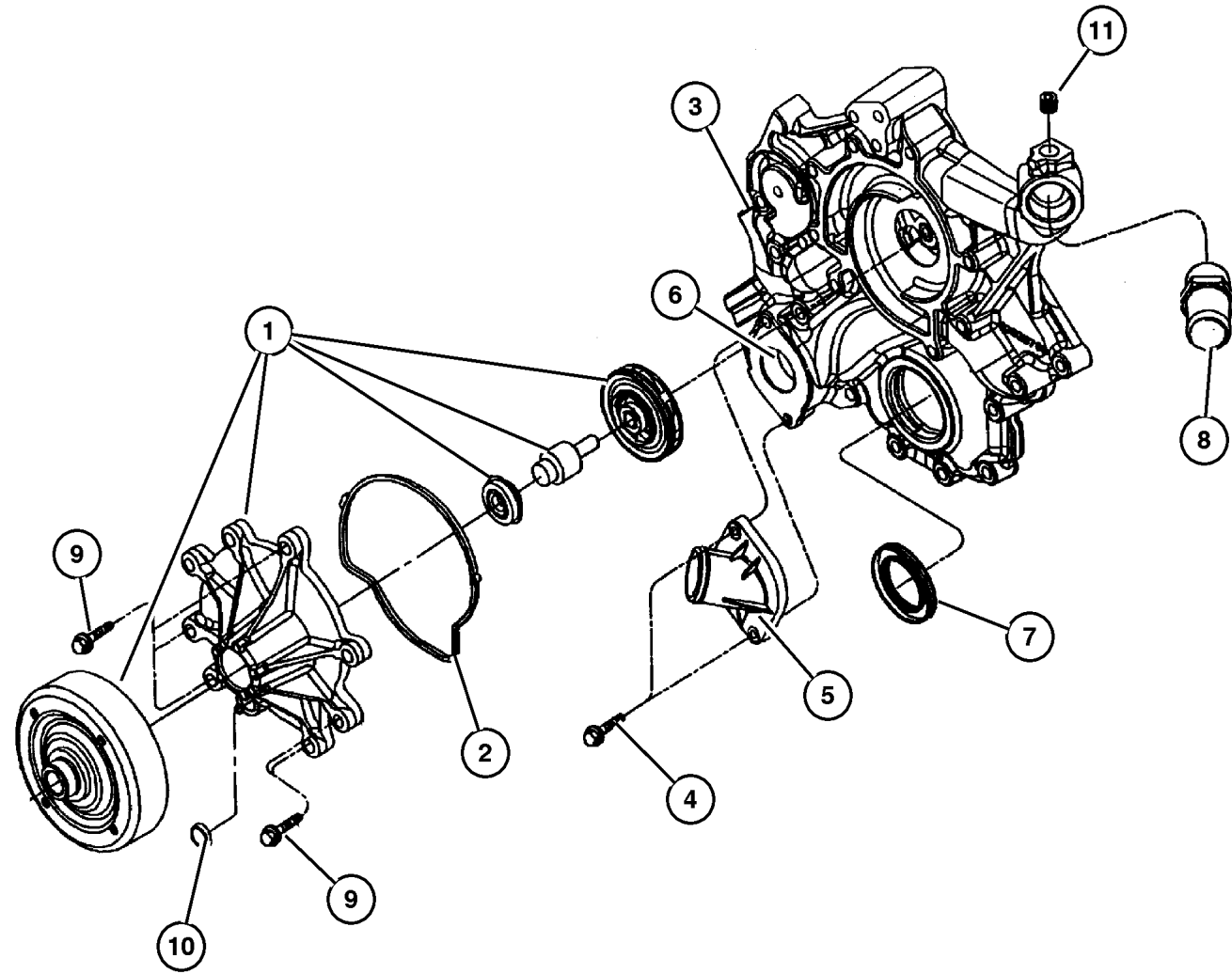


JEEP GRAND CHEROKEE (WJ)				
SERIES	LINE	BODY	ENGINE	TRANSMISSION
H = Laredo	J = 4WD	74 = 4 Door	ERH = 4.0L, Power Tech I-6	DGK = 4 Speed Auto, 42RE
M = Sport	T = 2WD		EVA = 4.7L Power Tech V8	DGQ = 5 Speed Auto, 45RFE
P = Limited			EVC = 4.7L HO V8 MPI	DG0 = All Automatic Trans
S = Overland			ER0 = All 4.0L 6 Cyl Gas	
			EVO = All 4.7l Gas	

AR = Use as required - = Non illustrated part # = New this model year

December 1, 2003

**Water Pump and Related Parts 4.7L Engine
Figure 007-220**



ITEM	PART NUMBER	QTY	LINE	SERIES	BODY	ENGINE	TRANS	TRIM	DESCRIPTION
Note: Sales Code EVO = 4.7L Engine									
1	53021 187AA	1				EVO			PUMP, Water
2	5302 0865	1				EVO			GASKET, Water Pump
3	6035 854	2				EVO			FITTING, Y-Style
4	6505 502AA	2				EVO			SCREW
5	53020 887AB	1				EVO			HOUSING, Thermostat
6	52079 476AC	1				EVO			THERMOSTAT, with Seal
7	53021 313AA	1				EVO			SEAL, Crankshaft Oil, Front
8									PIPE FITTING, Chain Case Cover, .375-18x2, (NOT SERVICED) (Not Serviced)
9									SCREW, M6x1x25, (NOT SERVICED) (Not Serviced)
10									PLUG, (NOT SERVICED) (Not Serviced)
11									PLUG, (NOT SERVICED) (Not Serviced)

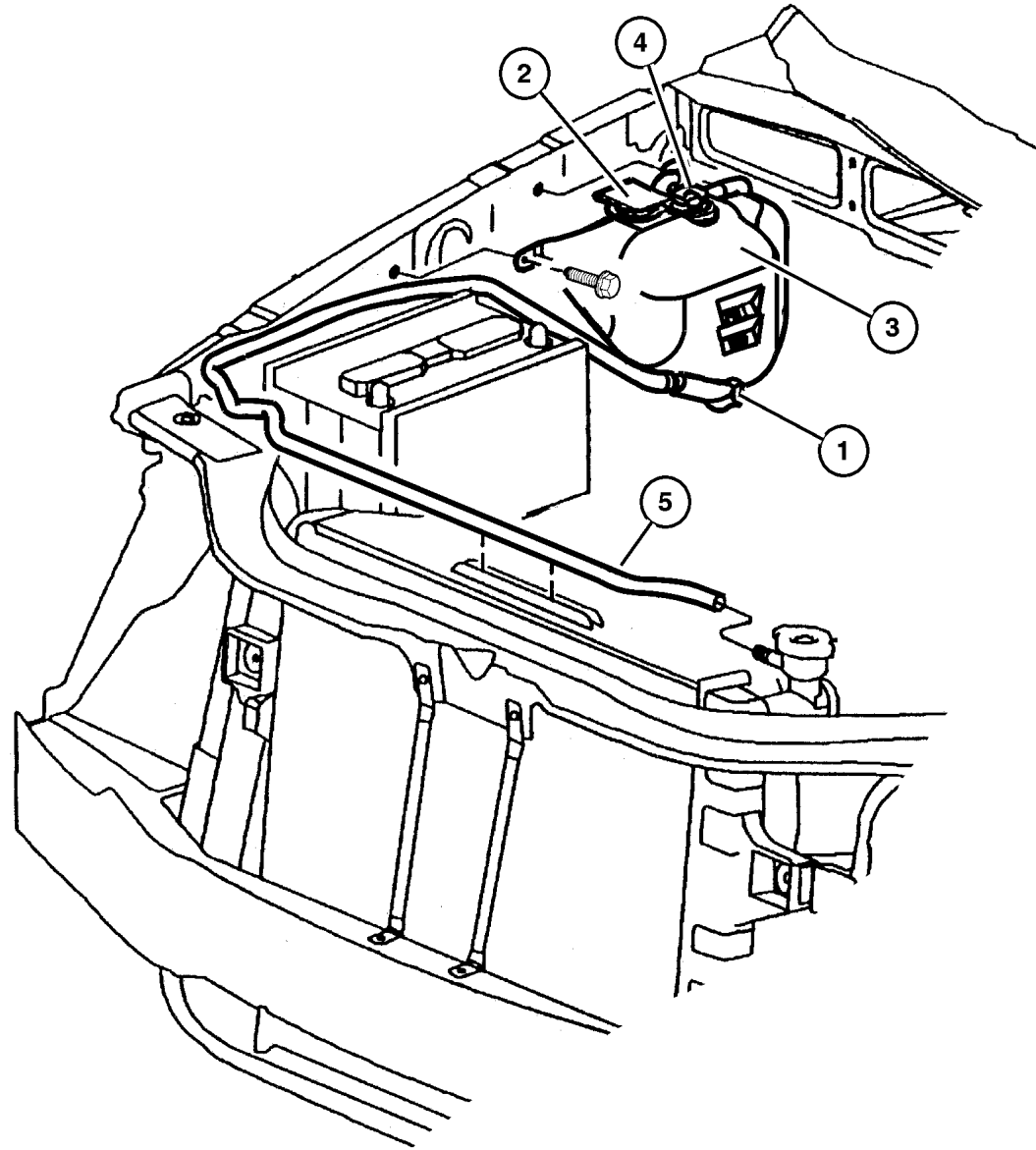
JEEP GRAND CHEROKEE (WJ)

SERIES	LINE	BODY	ENGINE	TRANSMISSION
H = Laredo	J = 4WD	74 = 4 Door	ERH = 4.0L, Power Tech I-6	DGK = 4 Speed Auto, 42RE
M = Sport	T = 2WD		EVA = 4.7L Power Tech V8	DGQ = 5 Speed Auto, 45RFE
P = Limited			EVC = 4.7L HO V8 MPI	DG0 = All Automatic Trans
S = Overland			ER0 = All 4.0L 6 Cyl Gas	
			EVO = All 4.7L Gas	

AR = Use as required - = Non illustrated part # = New this model year

December 1, 2003

**Coolant Tank, 4.0,4.7L Engine
Figure 007-310**



ITEM	PART NUMBER	QTY	LINE	SERIES	BODY	ENGINE	TRANS	TRIM	DESCRIPTION
Note: Sales Code ER0 = 4.0L Engine									
Note: Sales Code EV0 = 4.7L Engine									
1									GROMMET
	5202 8254	1				ER0			
		1				EV0			
2	5207 9331	1				ER0			CAP, Coolant Reserve Tank
3									BOTTLE, Coolant Recovery
	52079 461AB	1				ER0			With Coolant Level Sensor
		1				EV0			With Coolant Level Sensor
	#52079 461AC	1				ER0			Without Coolant Level Sensor
		1				EV0			Without Coolant Level Sensor
4	5207 9468	1				ER0			SENSOR, Coolant Level
5	4026 148	1				EV0			HOSE, Coolant Reserve Tank
-6	5601 8581	1				EV0			STRAP, Tie, Coolant Bottle - Bottle Assembly
-7									TUBE, Coolant Reserve Tank
	52079 858AA	1				ER0			
		1				EV0			

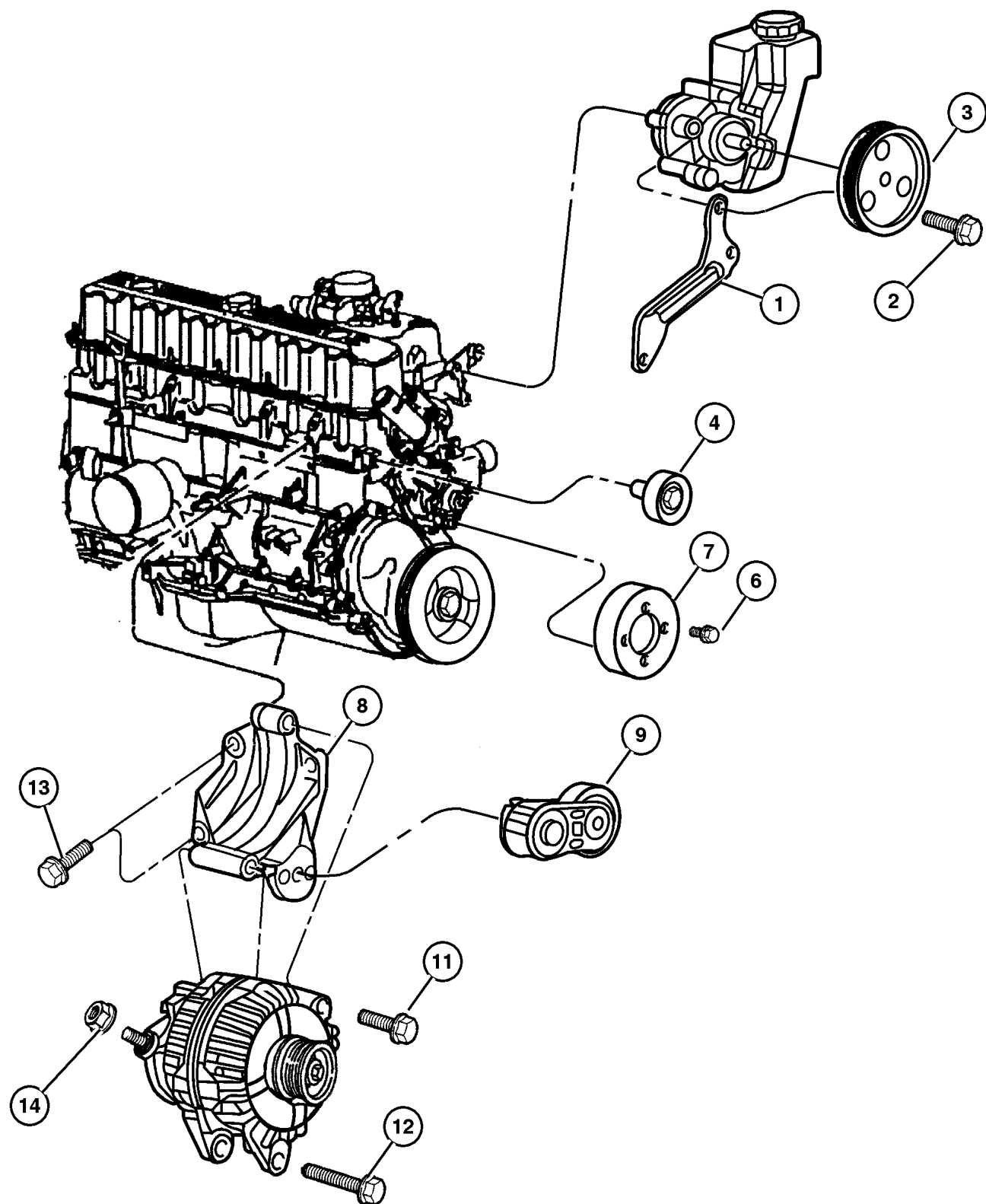
JEEP GRAND CHEROKEE (WJ)

SERIES	LINE	BODY	ENGINE	TRANSMISSION
H = Laredo	J = 4WD	74 = 4 Door	ERH = 4.0L, Power Tech I-6	DGK = 4 Speed Auto, 42RE
M = Sport	T = 2WD		EVA = 4.7L Power Tech V8	DGQ = 5 Speed Auto, 45RFE
P = Limited			EVC = 4.7L HO V8 MPI	DG0 = All Automatic Trans
S = Overland			ER0 = All 4.0L 6 Cyl Gas	
			EV0 = All 4.7L Gas	

AR = Use as required - = Non illustrated part # = New this model year

December 1, 2003

Drive Pulleys 4.0L Engine Figure 007-420



ITEM	PART NUMBER	QTY	LINE	SERIES	BODY	ENGINE	TRANS	TRIM	DESCRIPTION
Note: Sales Code									
ER0 = All 4.0L Engines									
EVO = All 4.7L Engines									
1	4854 157	1				ER0			BRACE, Power Steering Pump
2	6502 425	3				ER0			SCREW AND WASHER, Hex Head, M8x1.25x95
3	53010 258AB	1				ER0, EVO			PULLEY, Power Steering Pump
4	4854 092	1				ER0			PULLEY, Idler
-5	0153 748	1				ER0			SCREW AND WASHER, Hex
6	6034 860	4				ER0			BOLT AND WASHER, Implement Attaching
7	4854 032	1				ER0			PULLEY, Water Pump
8	4854 026	1				ER0			BRACKET, Alternator
9	4854 089AB	1				ER0			TENSIONER, Alternator Belt
-10	6507 743AA	1				ER0			SCREW
11	6505 488AA	1				ER0			SCREW AND WASHER, Hex
12	6504 344	1				ER0			SCREW AND WASHER, Hex Head
13	0154 854AA	4				ER0			SCREW AND WASHER, Hex
14									NUT, M8x1.25, (NOT SERVICED) (Not Serviced)

JEEP GRAND CHEROKEE (WJ)

SERIES	LINE	BODY	ENGINE	TRANSMISSION
H = Laredo	J = 4WD	74 = 4 Door	ERH = 4.0L, Power Tech I-6	DGK = 4 Speed Auto, 42RE
M = Sport	T = 2WD		EVA = 4.7L Power Tech V8	DGQ = 5 Speed Auto, 45RFE
P = Limited			EVC = 4.7L HO V8 MPI	DG0 = All Automatic Trans
S = Overland			ER0 = All 4.0L 6 Cyl Gas	
			EVO = All 4.7L Gas	

AR = Use as required - = Non illustrated part # = New this model year

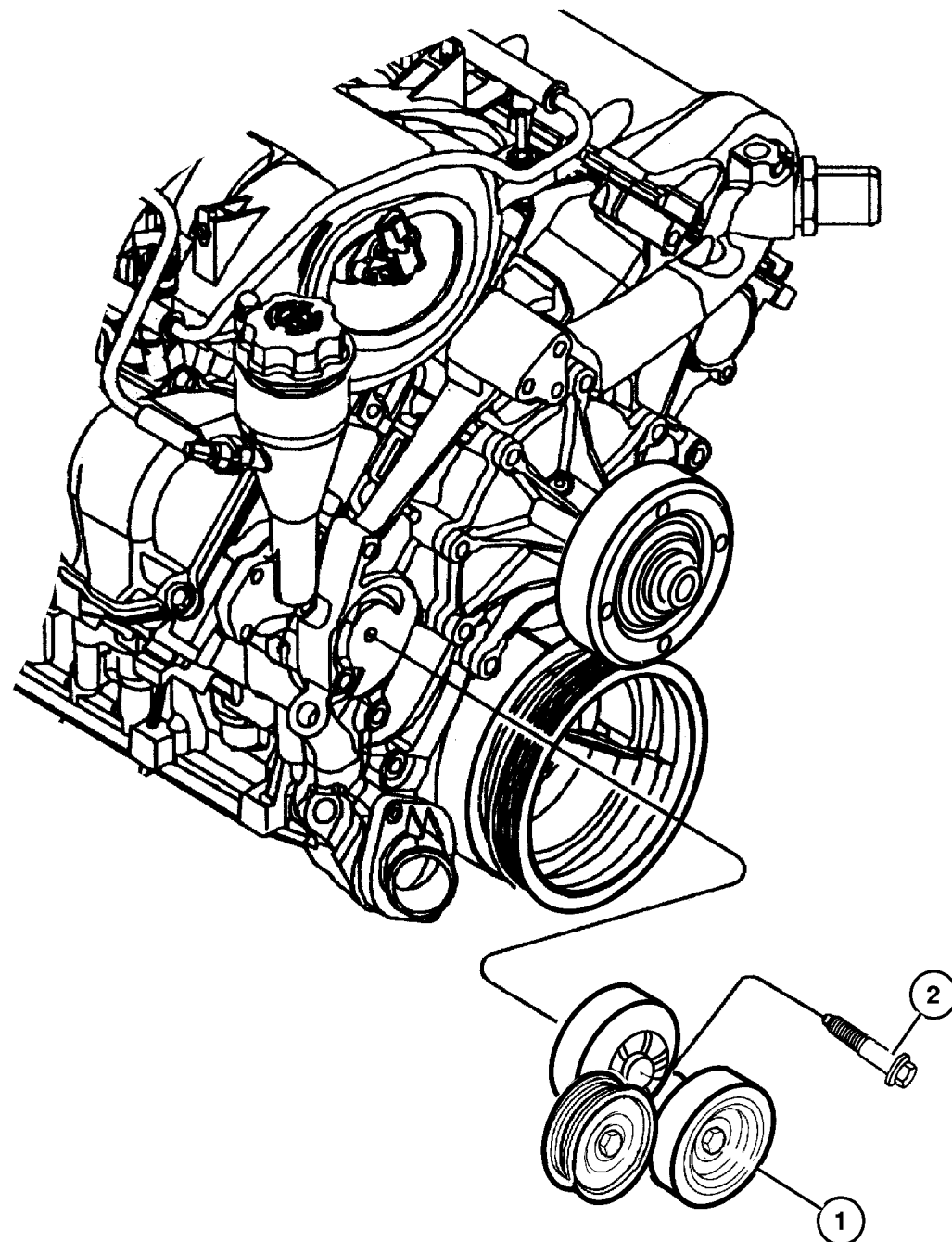
December 1, 2003

Drive Pulleys 4.7L Engine
Figure 007-430

ITEM	PART NUMBER	QTY	LINE	SERIES	BODY	ENGINE	TRANS	TRIM	DESCRIPTION
------	-------------	-----	------	--------	------	--------	-------	------	-------------

Note: Sales Code EV0 = 4.7L Engine

1	#53030 958AC	1				EVO			TENSIONER, Alternator Belt
2	6504 930AA	1				EVO			SCREW AND WASHER, Hex Head, M10x1.5x70



JEEP GRAND CHEROKEE (WJ)				
SERIES	LINE	BODY	ENGINE	TRANSMISSION
H = Laredo	J = 4WD	74 = 4 Door	ERH = 4.0L, Power Tech I-6	DGK = 4 Speed Auto, 42RE
M = Sport	T = 2WD		EVA = 4.7L Power Tech V8	DGQ = 5 Speed Auto, 45RFE
P = Limited			EVC = 4.7L HO V8 MPI	DG0 = All Automatic Trans
S = Overland			ER0 = All 4.0L 6 Cyl Gas	
			EV0 = All 4.7L Gas	

AR = Use as required - = Non illustrated part # = New this model year

December 1, 2003

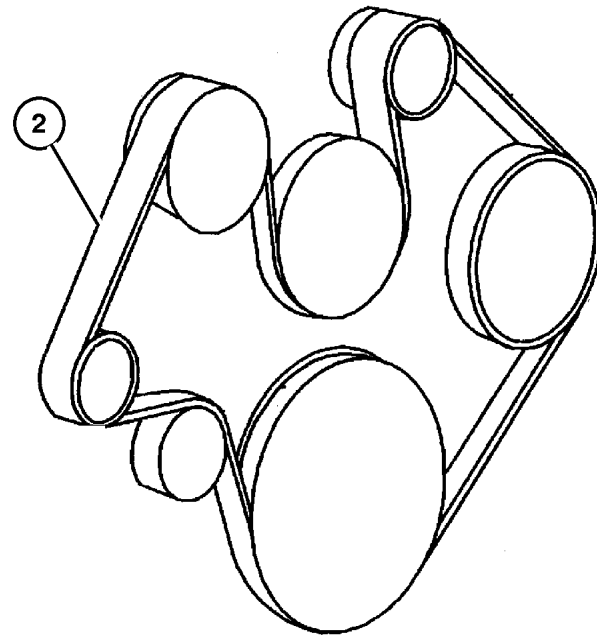
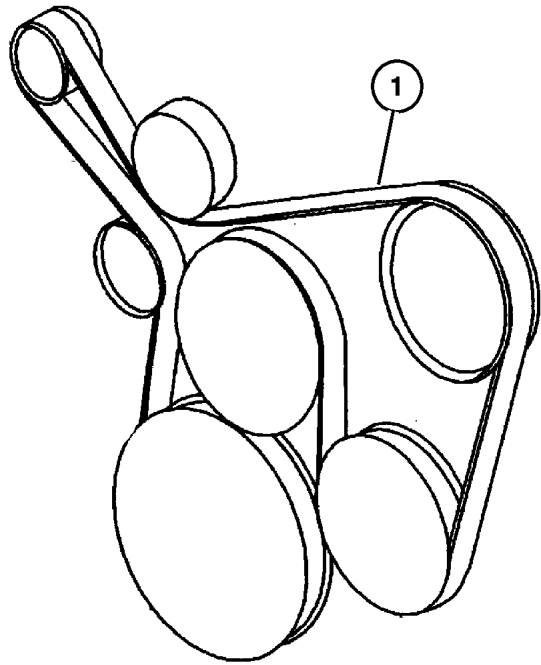
**Drive Belts 4.0L and 4.7L Engines
Figure 007-520**

ITEM	PART NUMBER	QTY	LINE	SERIES	BODY	ENGINE	TRANS	TRIM	DESCRIPTION
------	-------------	-----	------	--------	------	--------	-------	------	-------------

Note: Sales Code ER0 = 4.0L Engine

Note: Sales Code EVO = 4.7L Engine

1	4854 033AB	1				ER0			BELT, Accessory Drive
2	#53032 037AJ	1				EVO			BELT, Accessory Drive



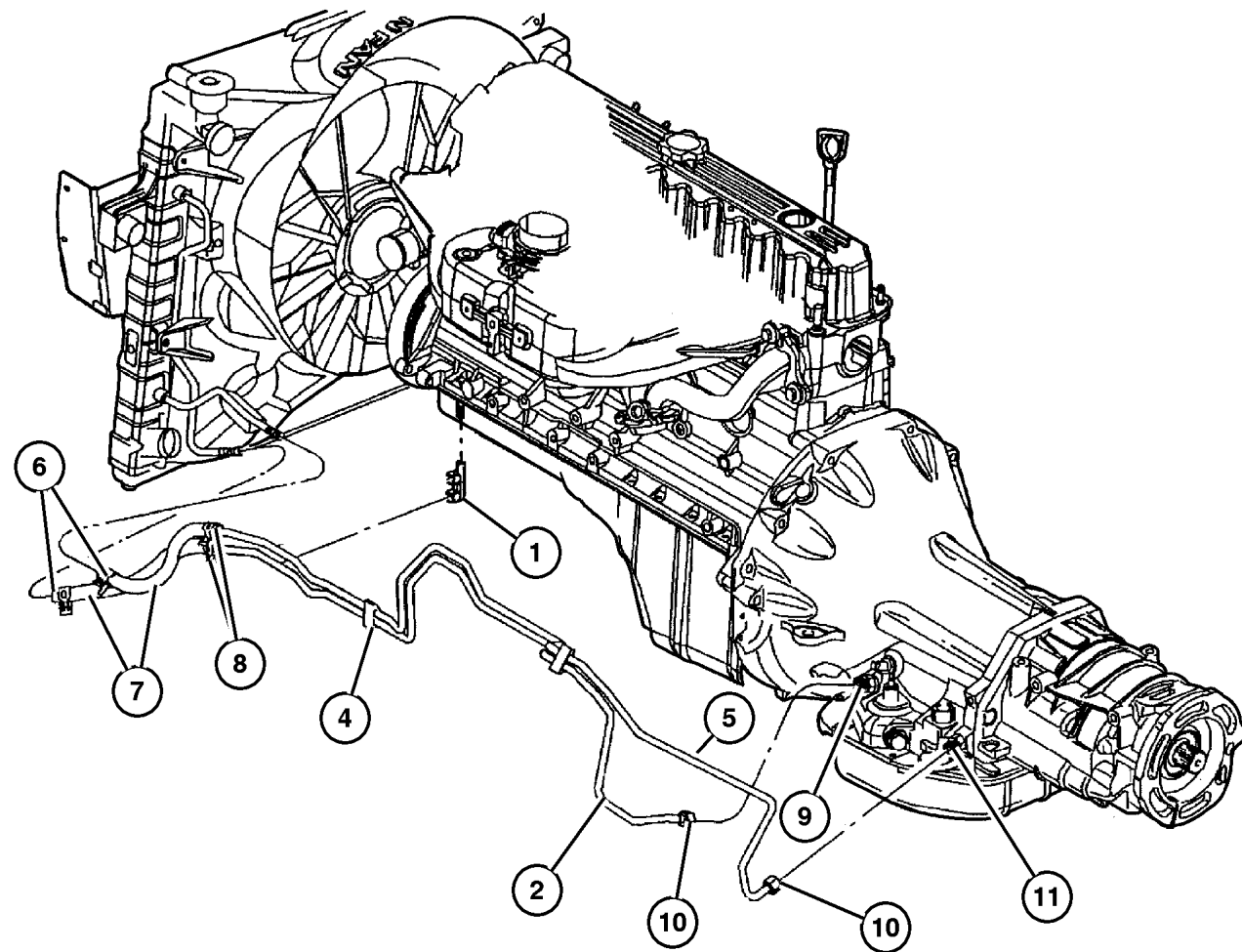
JEEP GRAND CHEROKEE (WJ)

SERIES	LINE	BODY	ENGINE	TRANSMISSION
H = Laredo	J = 4WD	74 = 4 Door	ERH = 4.0L, Power Tech I-6	DGK = 4 Speed Auto, 42RE
M = Sport	T = 2WD		EVA = 4.7L Power Tech V8	DGQ = 5 Speed Auto, 45RFE
P = Limited			EVC = 4.7L HO V8 MPI	DG0 = All Automatic Trans
S = Overland			ER0 = All 4.0L 6 Cyl Gas	
			EVO = All 4.7L Gas	

AR = Use as required - = Non illustrated part # = New this model year

December 1, 2003

Oil Cooler and Lines 4.0L Engines Figure 007-610



ITEM	PART NUMBER	QTY	LINE	SERIES	BODY	ENGINE	TRANS	TRIM	DESCRIPTION
Note									
ER0 = 4.0L Engine									
DGK = 42RE, Auto Trans									
1	52079 789AB	1					DG0		CLIP, Cooler Lines
2	52079 369AD	1				ER0	DG0		TUBE, Oil Cooler
-3	6033 878	1				ER0	DG0		NUT, Flared Tube
4	4815 987AA	2				ER0	DG0		CLIP, Power Steering Hose
5	52079 782AB	1				ER0	DG0		TUBE, Oil Cooler
6	52079 632AA	1				ER0	DG0		CLAMP, Oil Cooler Tube
7	4026 139	1				ER0	DG0		HOSE, Oil Cooler
8	52079 632AA	1				ER0	DG0		CLAMP, Oil Cooler Tube
9	55116 910AA	1				ER0	DG0		VALVE, Oil Cooler Pressure, Return
10	6035 503	2				ER0	DG0		NUT, .625-18
11	4799 433AB	2	J				DGQ		NUT, Transmission Case
		2	T				DGQ		
-12	52079 802AA	1				ER0	DG0		HOSE, Transmission Oil Return
-13	5202 7775	1				ER0	DG0		CLIP, Oil Tube

JEEP GRAND CHEROKEE (WJ)

SERIES	LINE	BODY	ENGINE	TRANSMISSION
H = Laredo	J = 4WD	74 = 4 Door	ERH = 4.0L, Power Tech I-6	DGK = 4 Speed Auto, 42RE
M = Sport	T = 2WD		EVA = 4.7L Power Tech V8	DGQ = 5 Speed Auto, 45RFE
P = Limited			EVC = 4.7L HO V8 MPI	DG0 = All Automatic Trans
S = Overland			ER0 = All 4.0L 6 Cyl Gas	
			EVO = All 4.7L Gas	

AR = Use as required - = Non illustrated part # = New this model year

December 1, 2003

Oil Cooler and Lines 4.7L Engine Figure 007-620

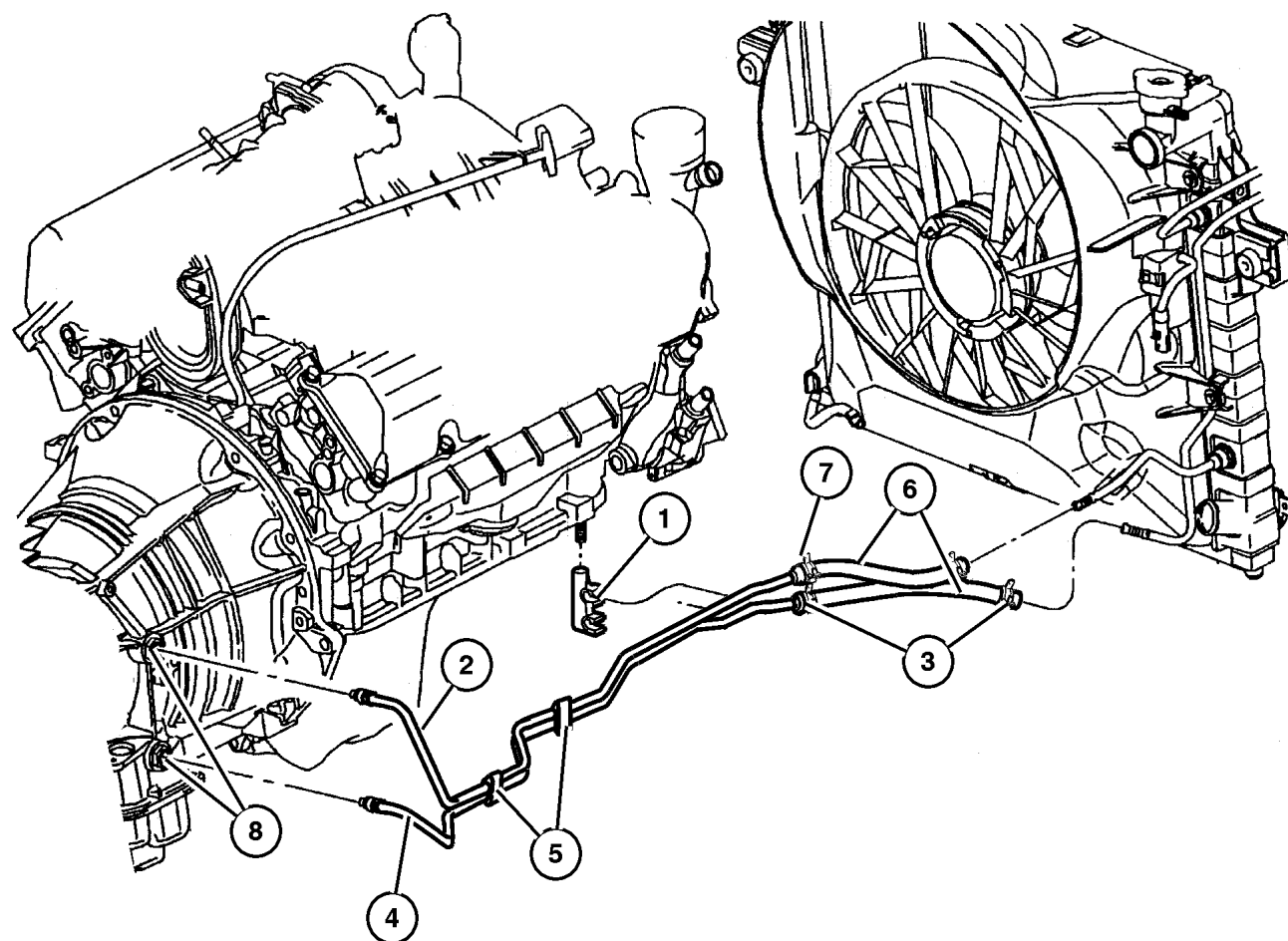
ITEM	PART NUMBER	QTY	LINE	SERIES	BODY	ENGINE	TRANS	TRIM	DESCRIPTION
------	-------------	-----	------	--------	------	--------	-------	------	-------------

Note:

EVO = 4.7L Engine

DG0 = All Automatic Transmissions

1	52079 789AB	1					DG0		CLIP, Cooler Lines
2	5207 9375	1				EVO	DG0		TUBE, Oil Cooler
3	4815 987AA	2				EVO	DG0		CLIP, Power Steering Hose
4	52079 783AA	1				EVO	DG0		TUBE, Oil Cooler
5	52079 632AA	1				EVO	DG0		CLAMP, Oil Cooler Tube
6	4026 139	1				EVO	DG0		HOSE, Oil Cooler
7	52079 632AA	1				EVO	DG0		CLAMP, Oil Cooler Tube
8	4799 433AB	2	J				DGQ		NUT, Transmission Case



JEEP GRAND CHEROKEE (WJ)

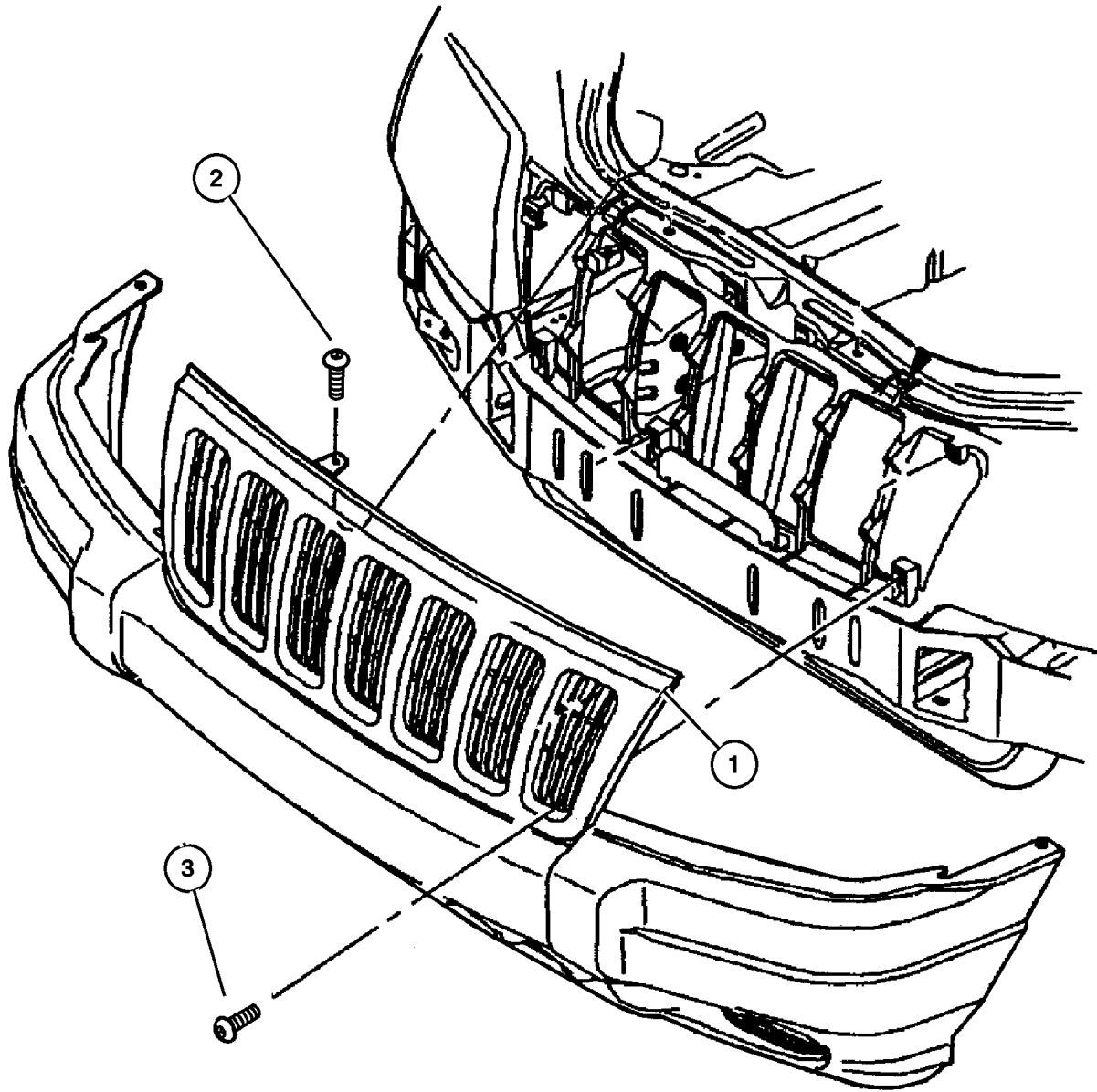
SERIES	LINE	BODY	ENGINE	TRANSMISSION
H = Laredo	J = 4WD	74 = 4 Door	ERH = 4.0L, Power Tech I-6	DGK = 4 Speed Auto, 42RE
M = Sport	T = 2WD		EVA = 4.7L Power Tech V8	DGQ = 5 Speed Auto, 45RFE
P = Limited			EVC = 4.7L HO V8 MPI	DG0 = All Automatic Trans
S = Overland			ER0 = All 4.0L 6 Cyl Gas	
			EVO = All 4.7L Gas	

AR = Use as required - = Non illustrated part # = New this model year

December 1, 2003

Grille and Related Parts
Figure 007-720

ITEM	PART NUMBER	QTY	LINE	SERIES	BODY	ENGINE	TRANS	TRIM	DESCRIPTION
1									GRILLE, Fascia
	#XC05 1B8AC	1							[B8] [MFT]
	#XC05 1XRAC	1							[XR] [MFT]
	#XD36 1Z0AC	1	J						[MFD]
	#XB92 BSDAC	1							[MFZ]
	#XC05 2B8AD	1							[B8] [MFN]
	#XC05 2ELAD	1							[EL] [MFN]
	#XC05 2SBAD	1							[SB] [MFN]
	#XC05 2XRAD	1							[XR] [MFN]
	#XC05 3DRAC	1							[DR] [MFN]
	#XC05 1BQAC	1							[BQ] [MFT]
	#XC05 1DRAC	1							[DR] [MFT]
	#XC05 1ELAC	1							[EL] [MFT]
	#XC05 1FFAC	1							[FF] [MFT]
	#XC05 1JRAC	1							[JR] [MFT]
	#XC05 1MQAC	1							[MQ] [MFT]
	#XC05 1SBAC	1							[SB] [MFT]
	#XC05 1W1AC	1							[W1] [MFT]
2	6505 813AA	2							SCREW, Hex Flange Head
3									SCREW, (NOT SERVICED) (Not Serviced)
-4	#5JF88 XXXAB	1							GRILLE, Panel, Texture



JEEP GRAND CHEROKEE (WJ)

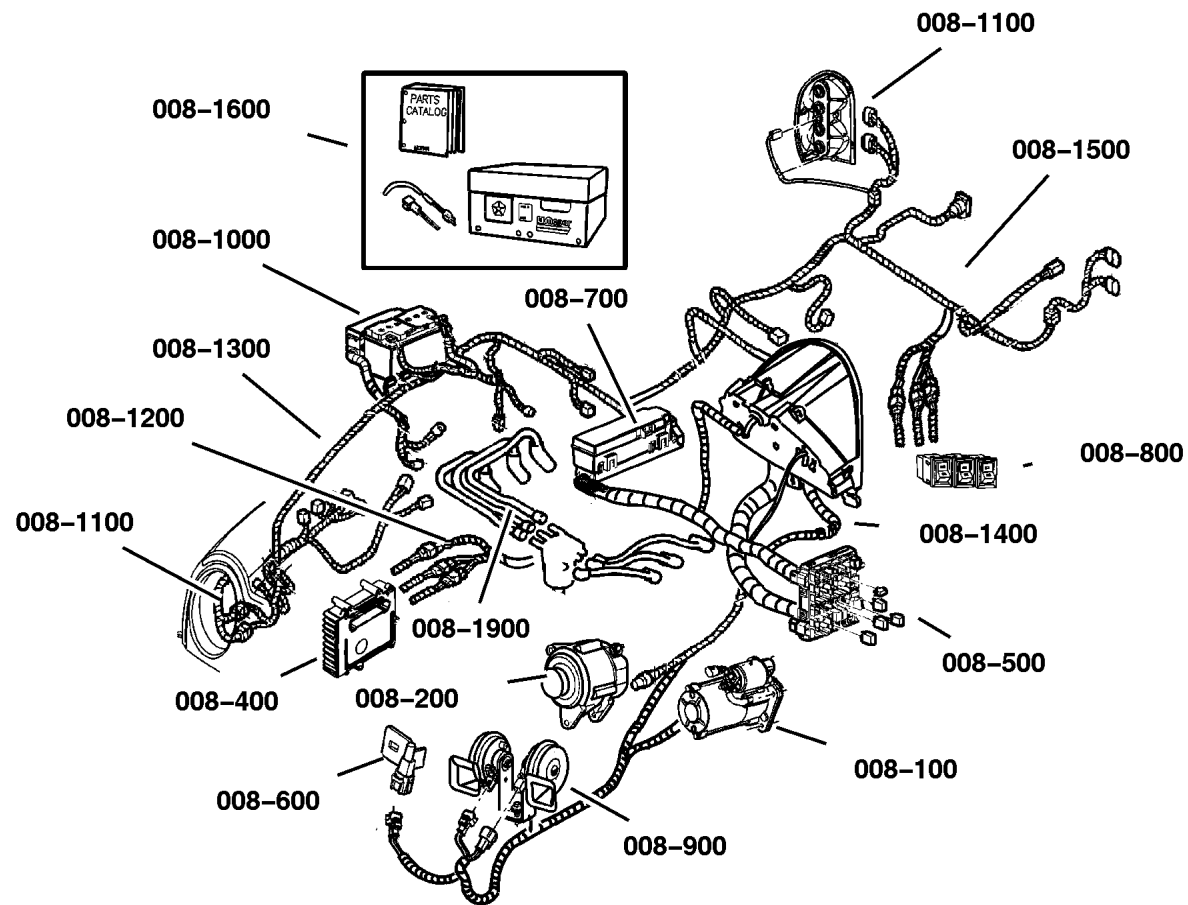
SERIES	LINE	BODY	ENGINE	TRANSMISSION
H = Laredo	J = 4WD	74 = 4 Door	ERH = 4.0L, Power Tech I-6	DGK = 4 Speed Auto, 42RE
M = Sport	T = 2WD		EVA = 4.7L Power Tech V8	DGQ = 5 Speed Auto, 45RFE
P = Limited			EVC = 4.7L HO V8 MPI	DG0 = All Automatic Trans
S = Overland			ER0 = All 4.0L 6 Cyl Gas	
			EVO = All 4.7l Gas	

AR = Use as required - = Non illustrated part # = New this model year

December 1, 2003

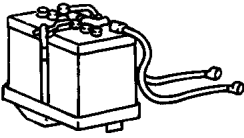
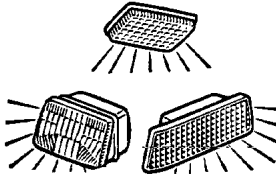
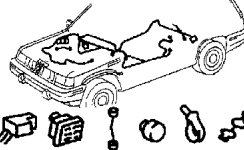


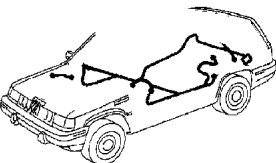


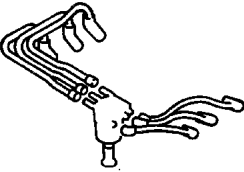
Group – 008

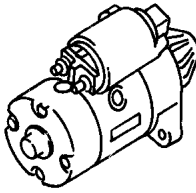
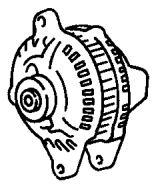
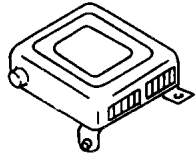
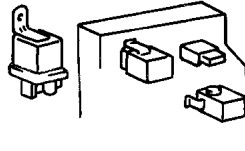
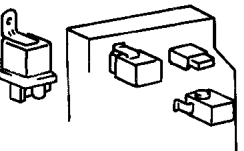
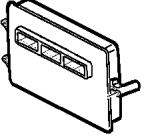
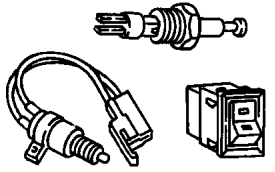
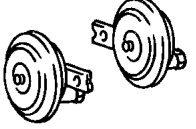
Electrical



Group – 008

Electrical

008-1000 Battery Tray and Cables 	008-1100 Lamps – Front, Rear and Courtesy 	008-1200 Wiring-Engine & Related Parts 	008-1300 Wiring-Headlamp to Dash 
008-1400 Wiring-Instrument Panel 	008-1500 Wiring-Body & Accessories 	008-1600 Wiring Repair WIRING REPAIR PKG. 	008-1700 Air Bag Systems 
008-1900 Spark Plugs-Cables-Coils 			

008-100 Starters 	008-200 Alternators 	008-400 Modules 	008-500 Relays 
008-600 Sensors 	008-700 Single Board Engine Controllers 	008-800 Switches 	008-900 Horns 



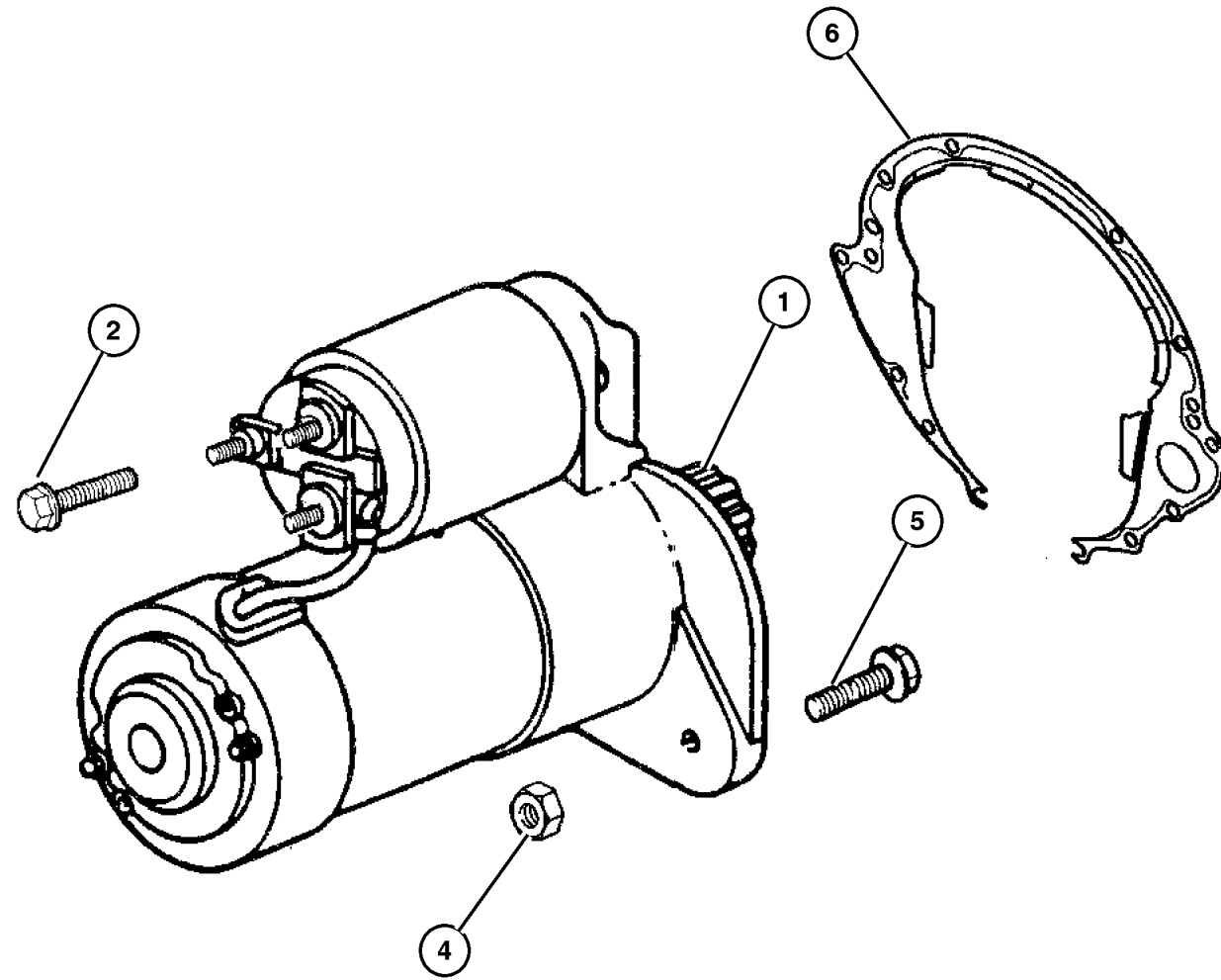
GROUP 8 - Electrical

Illustration Title	Group-Fig. No.
Starters	
Starters	Fig. 008-110
Alternators	
Alternator and Mounting 4.0L Engine [ER0]	Fig. 008-205
Alternator and Mounting 4.7L Engine [EV0]	Fig. 008-210
Modules	
Modules	Fig. 008-410
Relays	
Power Distribution Center, Fuses and Relays	Fig. 008-505
Junction Block, Relays, Circuit Breaker	Fig. 008-510
Sensors	
Sensors, Engine (4.0L) [ER0]	Fig. 008-605
Sensors, Engine (4.7L) [EV0]	Fig. 008-610
Sensors, Oxygen 4.0L [ER0]	Fig. 008-615
Sensors, Oxygen 4.7L [EV0]	Fig. 008-620
Sensors Drivetrain	Fig. 008-625
Sensors Body	Fig. 008-630
Single Board Engine Controllers	
JTEC Modules	Fig. 008-710
Switches	
Switches (Instrument Panel and Console)	Fig. 008-810
Switches, (Drive Train)	Fig. 008-820
Switches, (Body)	Fig. 008-830
Horns	
Horns	Fig. 008-910
Battery Tray and Cables	
Battery Tray & Cables	Fig. 008-1010
Lamps - Front, Rear and Courtesy	
Lamp - Front End	Fig. 008-1110
Lamp - Rear End	Fig. 008-1120
Lamp - Courtesy - Dome - Reading	Fig. 008-1130
Bulbs	Fig. 008-1140
Wiring-Engine & Related Parts	
Wiring - Engine and Related Items 4.0L Engine	Fig. 008-1210
Wiring - Engine and Related Items 4.7L Engine	Fig. 008-1220

GROUP 8 - Electrical

Illustration Title	Group-Fig. No.
Wiring-Headlamp to Dash	
Wiring - Headlamp / Dash	Fig. 008-1310
Wiring-Instrument Panel	
Wiring - Instrument Panel	Fig. 008-1410
Wiring-Body & Accessories	
Wiring - Body & Accessories	Fig. 008-1510
Wiring Repair	
Wiring Repair Packages	Fig. 008-1605
Air Bag Systems	
Air Bag Modules and Sensors	Fig. 008-1705
Air Bags and Clock Spring	Fig. 008-1710
Spark Plugs-Cables-Coils	
Spark Plugs - Coils	Fig. 008-1910

**Starters
Figure 008-110**



ITEM	PART NUMBER	QTY	LINE	SERIES	BODY	ENGINE	TRANS	TRIM	DESCRIPTION
------	-------------	-----	------	--------	------	--------	-------	------	-------------

Notes:

[ER0]=4.0L Engine

[EV0]=4.7L Engine

[DGQ]=5 Speed Automatic Transmission

1									STARTER
	56041 012AE	1				ER0			
	56041 207AD	1				EV0			
2	J400 6192	1				ER0			BOLT AND WASHER, Hex Head, .375-16x1.75
-3	6102 084AA	2				EV0			SCREW
4									NUT, M8x1.25, (NOT SERVICED) (Not Serviced)
5	6503 699	1				ER0			SCREW AND WASHER, Hex Head, M10x1.5x28
6	5210 4133	1					DGQ		COVER, Transmission Dust

JEEP GRAND CHEROKEE (WJ)

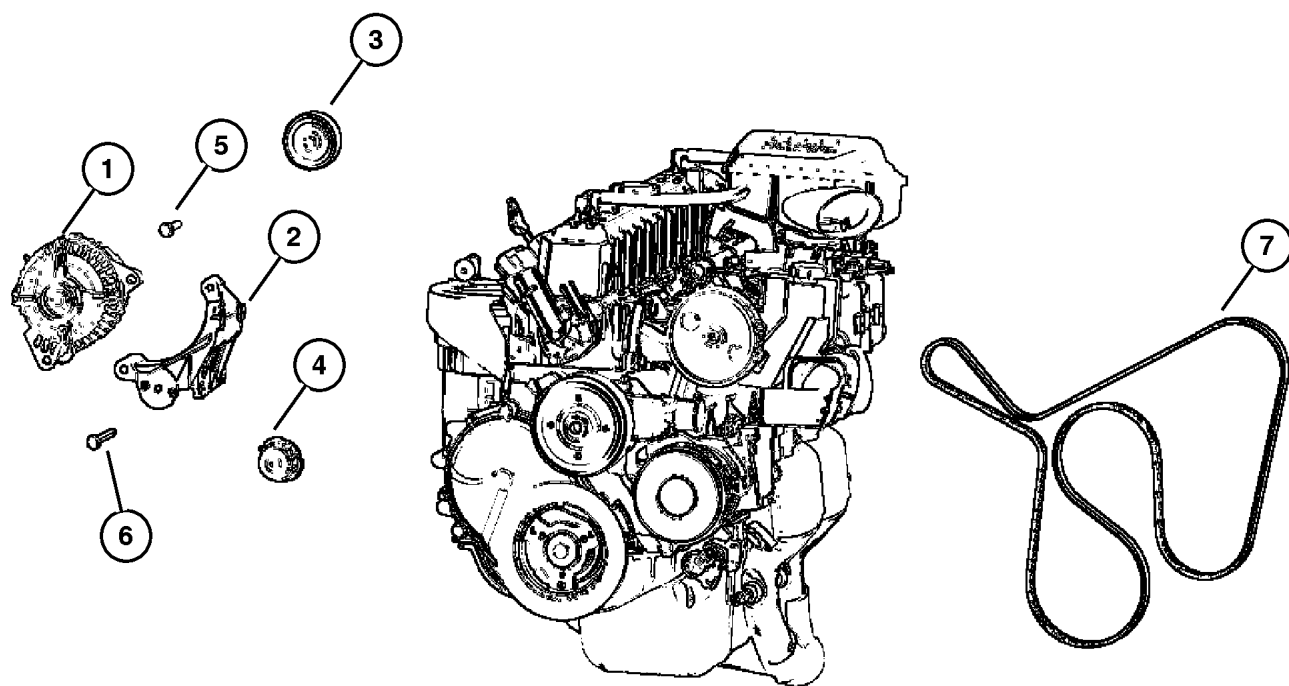
SERIES	LINE	BODY	ENGINE	TRANSMISSION
H = Laredo	J = 4WD	74 = 4 Door	ERH = 4.0L, Power Tech I-6	DGK = 4 Speed Auto, 42RE
M = Sport	T = 2WD		EVA = 4.7L Power Tech V8	DGQ = 5 Speed Auto, 45RFE
P = Limited			EVC = 4.7L HO V8 MPI	DG0 = All Automatic Trans
S = Overland			ER0 = All 4.0L 6 Cyl Gas	
			EV0 = All 4.7L Gas	

AR = Use as required - = Non illustrated part # = New this model year

December 1, 2003

Alternator and Mounting 4.0L Engine [ER0] Figure 008-205

ITEM	PART NUMBER	QTY	LINE	SERIES	BODY	ENGINE	TRANS	TRIM	DESCRIPTION
Notes:									
[ER0]=4.0L Engine									
1	56041 322AB	1				ER0			ALTERNATOR
2	4854 026	1				ER0			BRACKET, Alternator
3	4854 089AB	1				ER0			TENSIONER, Alternator Belt
4	4854 092	1				ER0			PULLEY, Idler
5	0154 854AA	4				ER0			SCREW AND WASHER, Hex
6	6504 344	1				ER0			SCREW AND WASHER, Hex Head
7	4854 033AB	1				ER0			BELT, Accessory Drive



JEEP GRAND CHEROKEE (WJ)

SERIES	LINE	BODY	ENGINE	TRANSMISSION
H = Laredo	J = 4WD	74 = 4 Door	ERH = 4.0L, Power Tech I-6	DGK = 4 Speed Auto, 42RE
M = Sport	T = 2WD		EVA = 4.7L Power Tech V8	DGQ = 5 Speed Auto, 45RFE
P = Limited			EVC = 4.7L HO V8 MPI	DG0 = All Automatic Trans
S = Overland			ER0 = All 4.0L 6 Cyl Gas	
			EVO = All 4.7l Gas	

AR = Use as required - = Non illustrated part # = New this model year

December 1, 2003

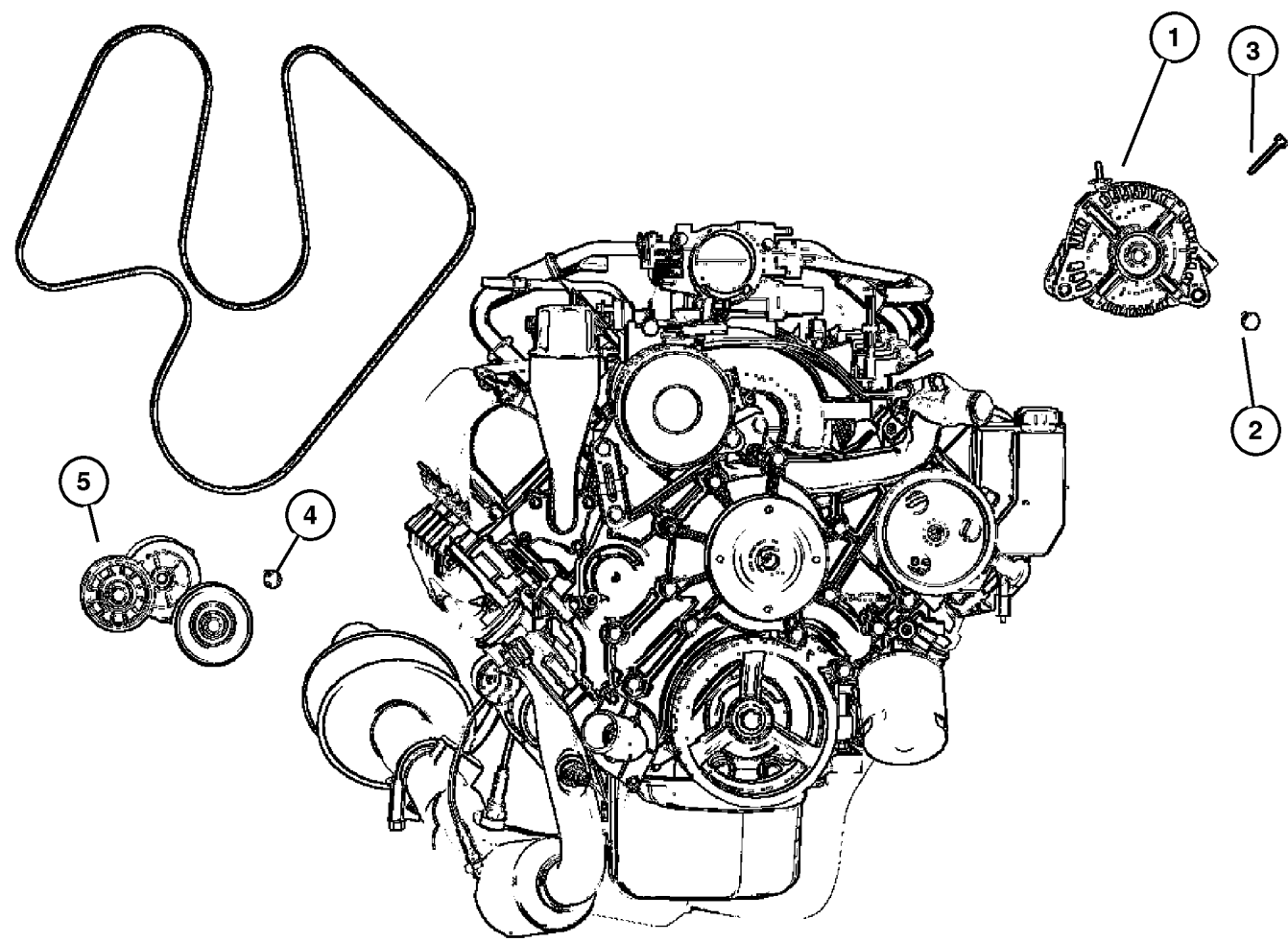
**Alternator and Mounting 4.7L Engine [EV0]
Figure 008-210**

ITEM	PART NUMBER	QTY	LINE	SERIES	BODY	ENGINE	TRANS	TRIM	DESCRIPTION
------	-------------	-----	------	--------	------	--------	-------	------	-------------

Notes:

[EV0]=4.7L Engine

1	56041 120AC	1				EV0			ALTERNATOR, 136 AMP NCB1
2	6505 488AA	1				EV0			SCREW AND WASHER, Hex
3	6505 482AA	1				EV0			SCREW AND WASHER, Hex Head, M8x1.25x50
4	6504 930AA	1				EV0			SCREW AND WASHER, Hex Head, M10x1.5x70
5	5303 0958	1				EV0			TENSIONER, Alternator Belt
-6	6506 929AA	1							NUT, Hex Flange Lock, M8x1.25



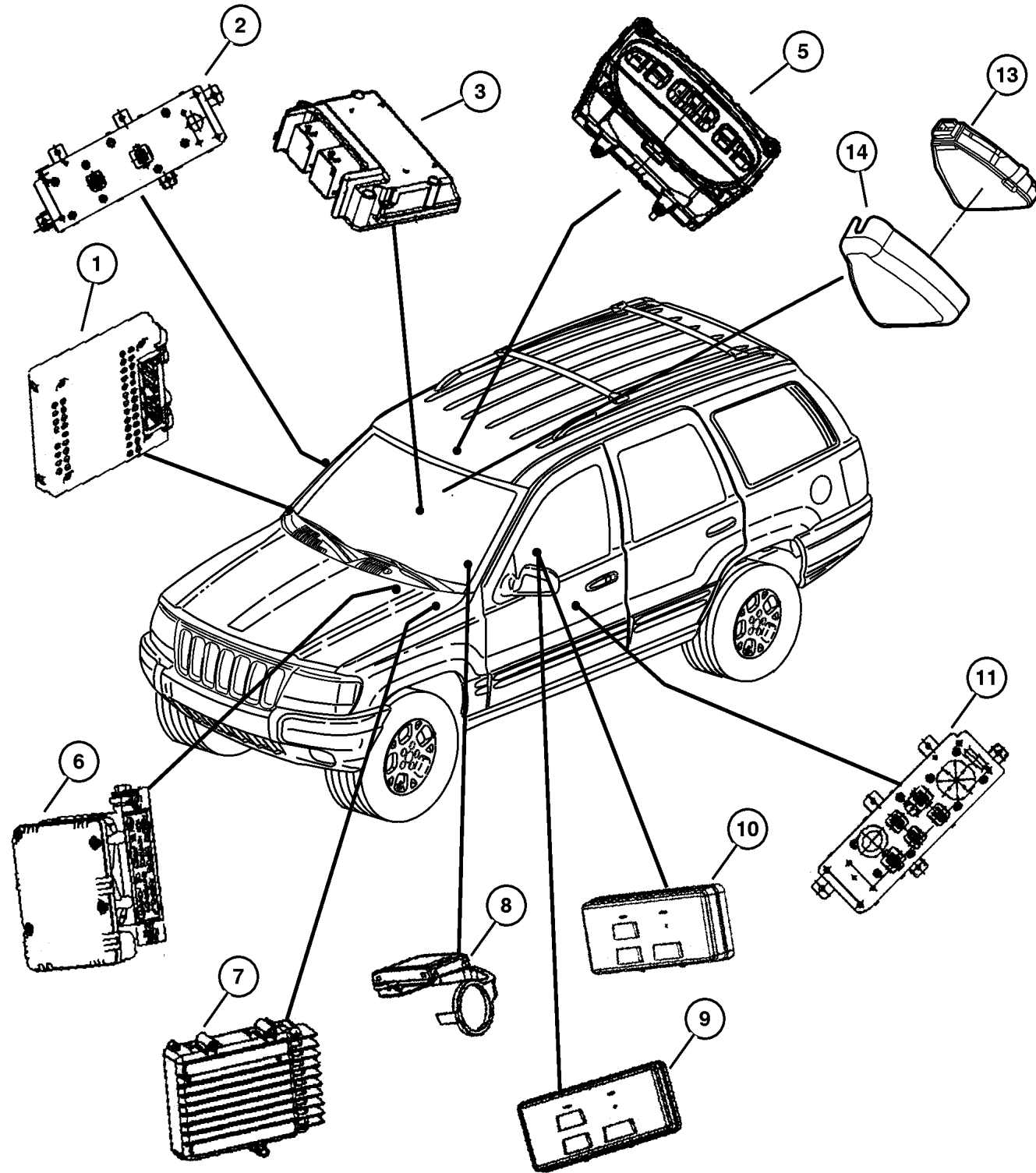
JEEP GRAND CHEROKEE (WJ)

SERIES	LINE	BODY	ENGINE	TRANSMISSION
H = Laredo	J = 4WD	74 = 4 Door	ERH = 4.0L, Power Tech I-6	DGK = 4 Speed Auto, 42RE
M = Sport	T = 2WD		EVA = 4.7L Power Tech V8	DGQ = 5 Speed Auto, 45RFE
P = Limited			EVC = 4.7L HO V8 MPI	DG0 = All Automatic Trans
S = Overland			ER0 = All 4.0L 6 Cyl Gas	
			EV0 = All 4.7L Gas	

AR = Use as required - = Non illustrated part # = New this model year

December 1, 2003

Modules
Figure 008-410



ITEM	PART NUMBER	QTY	LINE	SERIES	BODY	ENGINE	TRANS	TRIM	DESCRIPTION
Notes:									
	[ER0]=4.0L Engine								
	[EV0]=4.7L Engine								
	[DGQ]=5 Speed Automatic Transmission								
1	#5083 892AE	1							MODULE, Body Controller
2									SWITCH, Door Module
	5HB61 DX9AC	1		P					Left
	5HB62 DX9AC	1		P					Right
3									MODULE, Occupant Restraint
	56010 485AG	1							Without Side Airbag
	56010 488AG	1							With Side Airbag
-4	6503 397	4							NUT, Push On, M6, Occupant Module attaching
5									MODULE, Compass Temperature
	56042 749AH	1							With Universal Garage Door Opener
	56042 756AI	1							With Universal Garage Door Opener & Tire Pressure Monitor
	56042 754AH	1							Without Universal Garage Door Opener
6									MODULE, Anti-lock Brakes
	5066 653AB	1	J			ER0, EV0			
		1	T			ER0, EV0			
7	56044 574AB	1				EV0	DGQ		MODULE, Transmission Control
8	4686 665AC	1							MODULE, Immobilizer
9									MODULE, Seat Memory
	56042 304AG	1							10 Way Power Driver Seat with Memory & 6 Way Power Passenger Seat
	56050 151AB	1							10 Way Power Heated Driver Seat with Memory & 6 Way Power Passenger Seat
		1							10 Way Power Heated Driver Seat
10	56050 150AB	1							MODULE, Heated Seat Control
11									SWITCH, Door Module
	5HB61 DX9AC	1		P					Left
	5HB62 DX9AC	1		P					Right
-12									LABEL, Air Bag Warning
	4595 748AA	1							Glovebox
	4595 749AA	1							Glovebox (Canada)

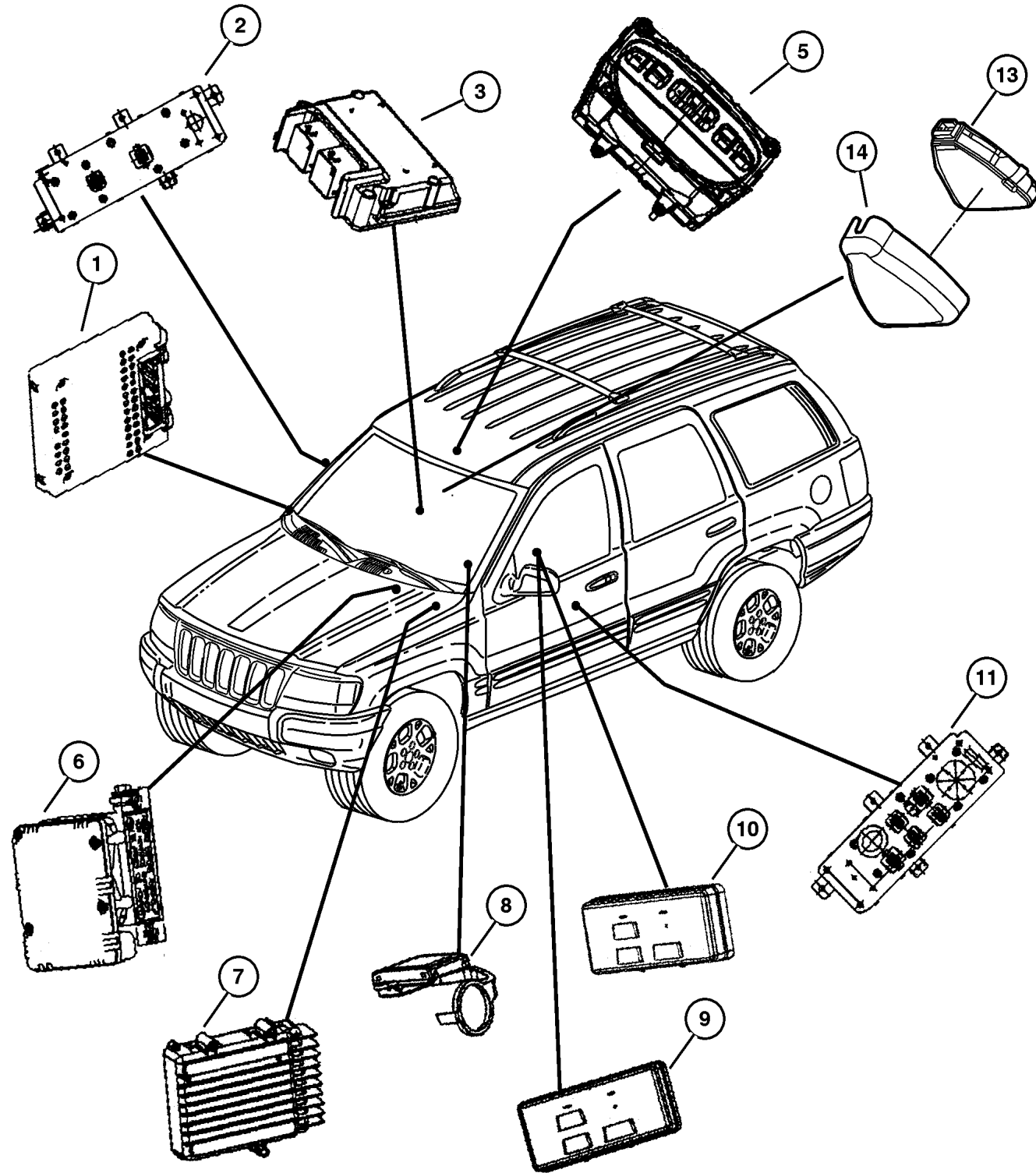
JEEP GRAND CHEROKEE (WJ)

SERIES	LINE	BODY	ENGINE	TRANSMISSION
H = Laredo	J = 4WD	74 = 4 Door	ERH = 4.0L, Power Tech I-6	DGK = 4 Speed Auto, 42RE
M = Sport	T = 2WD		EVA = 4.7L Power Tech V8	DGQ = 5 Speed Auto, 45RFE
P = Limited			EVC = 4.7L HO V8 MPI	DG0 = All Automatic Trans
S = Overland			ER0 = All 4.0L 6 Cyl Gas	
			EV0 = All 4.7L Gas	

AR = Use as required - = Non illustrated part # = New this model year

December 1, 2003

Modules
Figure 008-410



ITEM	PART NUMBER	QTY	LINE	SERIES	BODY	ENGINE	TRANS	TRIM	DESCRIPTION
	4787 437AA	2							Sun Visor (Canada)
13	56042 759AH	1							SENSOR, Rain
14	5HJ50 DX9AB	1							COVER, Sensor
-15	5072 251AA	1							MODULE, Brake Pedal
-16	5012 771AB	1							CONTROL UNIT, Sunroof
-17	5066 657AB	1	T			ER0, EVO			CONTROL UNIT, Anti-Lock Brake
		1	J			ER0, EVO			
-18	6503 397	4							NUT, Push On, M6, Airbag Module Attaching

JEEP GRAND CHEROKEE (WJ)

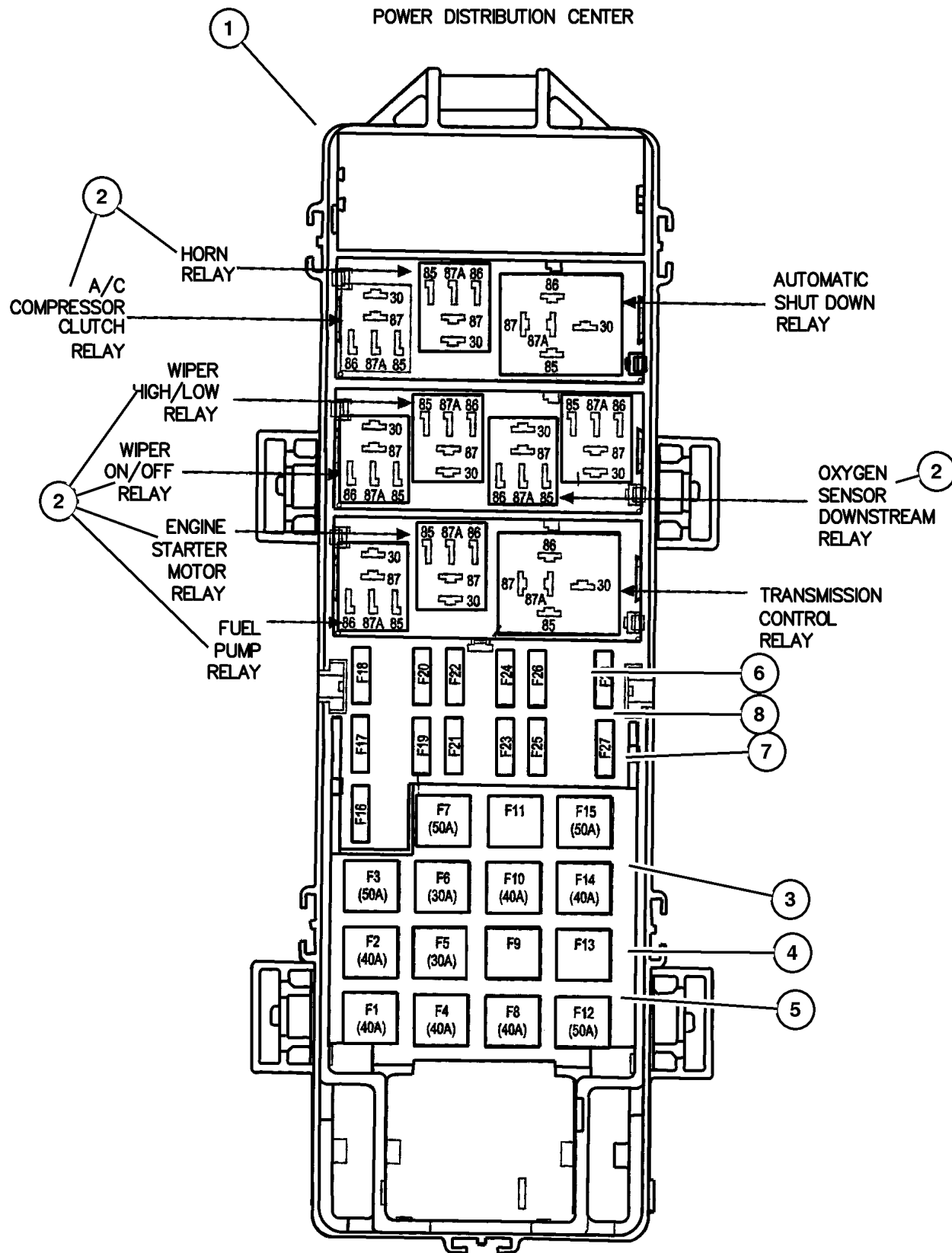
SERIES	LINE	BODY	ENGINE	TRANSMISSION
H = Laredo	J = 4WD	74 = 4 Door	ERH = 4.0L, Power Tech I-6	DGK = 4 Speed Auto, 42RE
M = Sport	T = 2WD		EVA = 4.7L Power Tech V8	DGQ = 5 Speed Auto, 45RFE
P = Limited			EVC = 4.7L HO V8 MPI	DG0 = All Automatic Trans
S = Overland			ER0 = All 4.0L 6 Cyl Gas	
			EVO = All 4.7l Gas	

AR = Use as required - = Non illustrated part # = New this model year

December 1, 2003

Power Distribution Center, Fuses and Relays
Figure 008-505

ITEM	PART NUMBER	QTY	LINE	SERIES	BODY	ENGINE	TRANS	TRIM	DESCRIPTION
1									POWER DISTRIBUTION CENTER, See Headlamp to Dash Wiring, (NOT SERVICED) (Not Serviced)
2	56042 677AA	1							RELAY, Mini, Foglamps, Daytime Running Lamps & Sunroof
3	6102 076AA	AR							FUSE CARTRIDGE, 30 Amp
4	6102 077AA	AR							FUSE CARTRIDGE, 40 Amp
5	6102 078AA	AR							FUSE CARTRIDGE, 50 Amp
6	00AT M10	1							FUSE, Mini, 10 AMP, Red
7	6101 487	1							FUSE, Mini, 15 AMP, Light Blue
8	6101 488	1							FUSE, Mini, 20 AMP, Yellow
-9	4687 835	1							FUSE, Mini, 25 Amp, Natural
-10	5083 117AA	AR							COVER, Power Distribution Center
-11	0154 552	2				ER0, EVO			SCREW, Hex Head, .190-16x.625



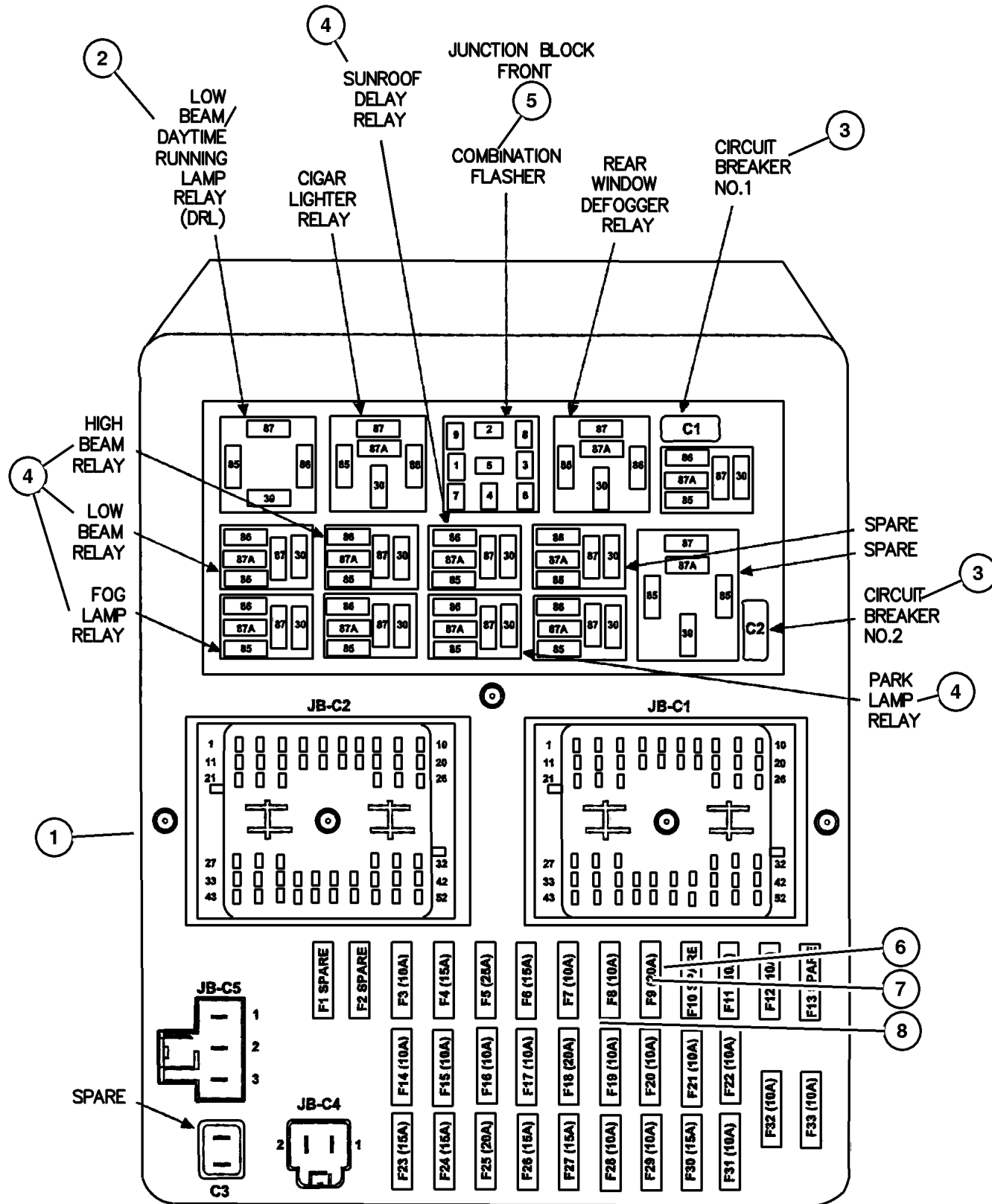
JEEP GRAND CHEROKEE (WJ)

SERIES	LINE	BODY	ENGINE	TRANSMISSION
H = Laredo	J = 4WD	74 = 4 Door	ERH = 4.0L, Power Tech I-6	DGK = 4 Speed Auto, 42RE
M = Sport	T = 2WD		EVA = 4.7L Power Tech V8	DGQ = 5 Speed Auto, 45RFE
P = Limited			EVC = 4.7L HO V8 MPI	DG0 = All Automatic Trans
S = Overland			ER0 = All 4.0L 6 Cyl Gas	
			EVO = All 4.7I Gas	

AR = Use as required - = Non illustrated part # = New this model year

December 1, 2003

Junction Block, Relays, Circuit Breaker
Figure 008-510



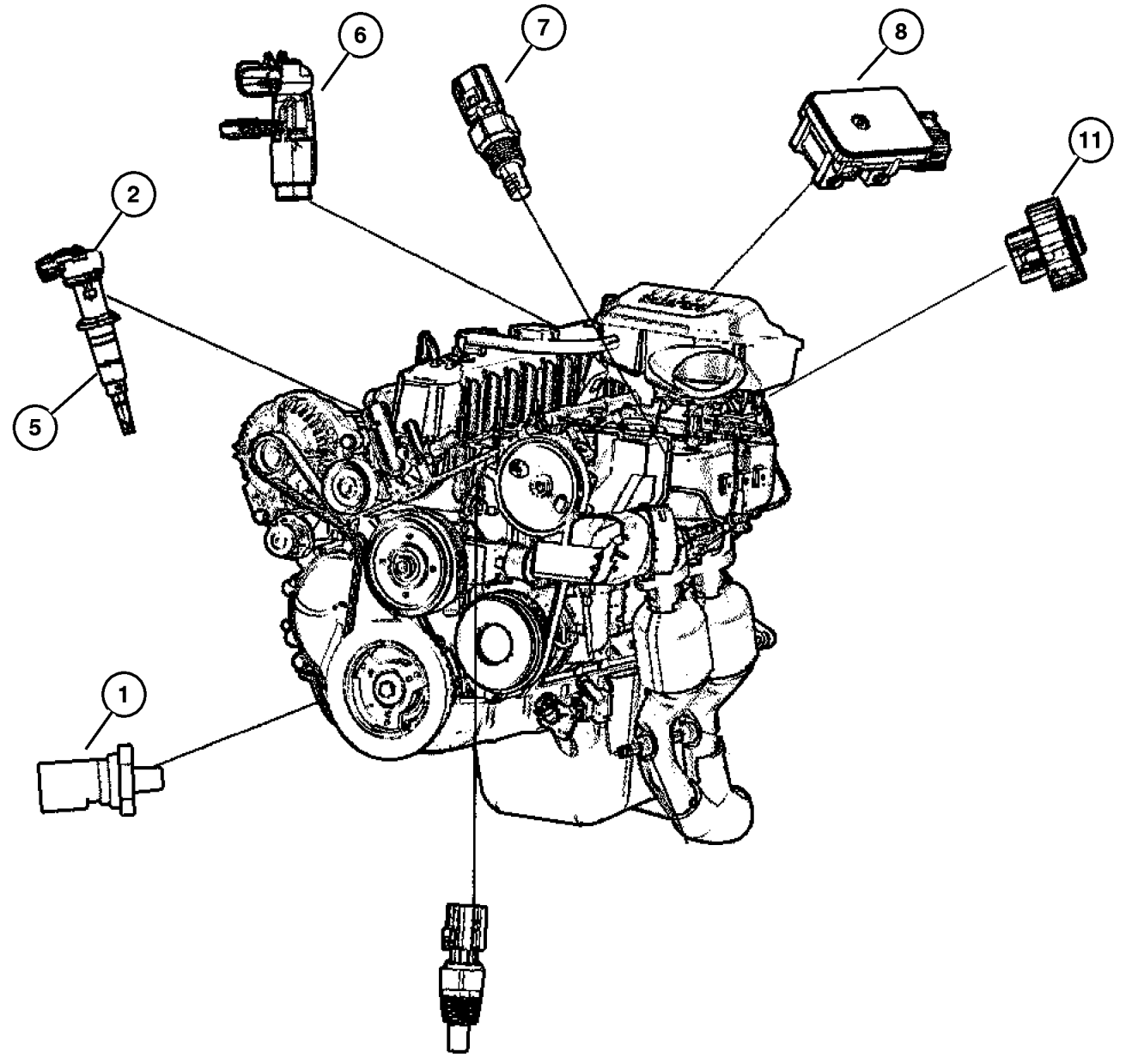
ITEM	PART NUMBER	QTY	LINE	SERIES	BODY	ENGINE	TRANS	TRIM	DESCRIPTION
1	5019 816AA	1							JUNCTION BLOCK, Relay
2	56042 216AB	1	J						RELAY
3	4604 235	1							BREAKER, Circuit
4	56042 677AA	1							RELAY, Mini, Foglamp, Headlamp High and Low Beam, Park Lamp, Sunroof
5	4686 094	1							FLASHER
6	00AT M10	1							FUSE, Mini, 10 AMP, Red
7	6101 487	1							FUSE, Mini, 15 AMP, Light Blue
8	6101 488	1							FUSE, Mini, 20 AMP, Yellow
-9	4687 835	1							FUSE, Mini, 25 Amp, Natural
-10	4707 286AF	1							RELAY, Radiator Fan
-11	5017 491AA	1							RELAY PACKAGE, Radiator Fan
-12	5600 7290	1							BREAKER, Circuit

JEEP GRAND CHEROKEE (WJ)
 SERIES H = Laredo M = Sport P = Limited S = Overland
 LINE J = 4WD T = 2WD
 BODY 74 = 4 Door
 ENGINE ERH = 4.0L, Power Tech I-6
 EVA = 4.7L Power Tech V8
 EVC = 4.7L HO V8 MPI
 ER0 = All 4.0L 6 Cyl Gas
 EV0 = All 4.7L Gas
 TRANSMISSION DGK = 4 Speed Auto, 42RE
 DGQ = 5 Speed Auto, 45RFE
 DG0 = All Automatic Trans

AR = Use as required - = Non illustrated part # = New this model year

December 1, 2003

Sensors, Engine (4.0L) [ER0]
Figure 008-605

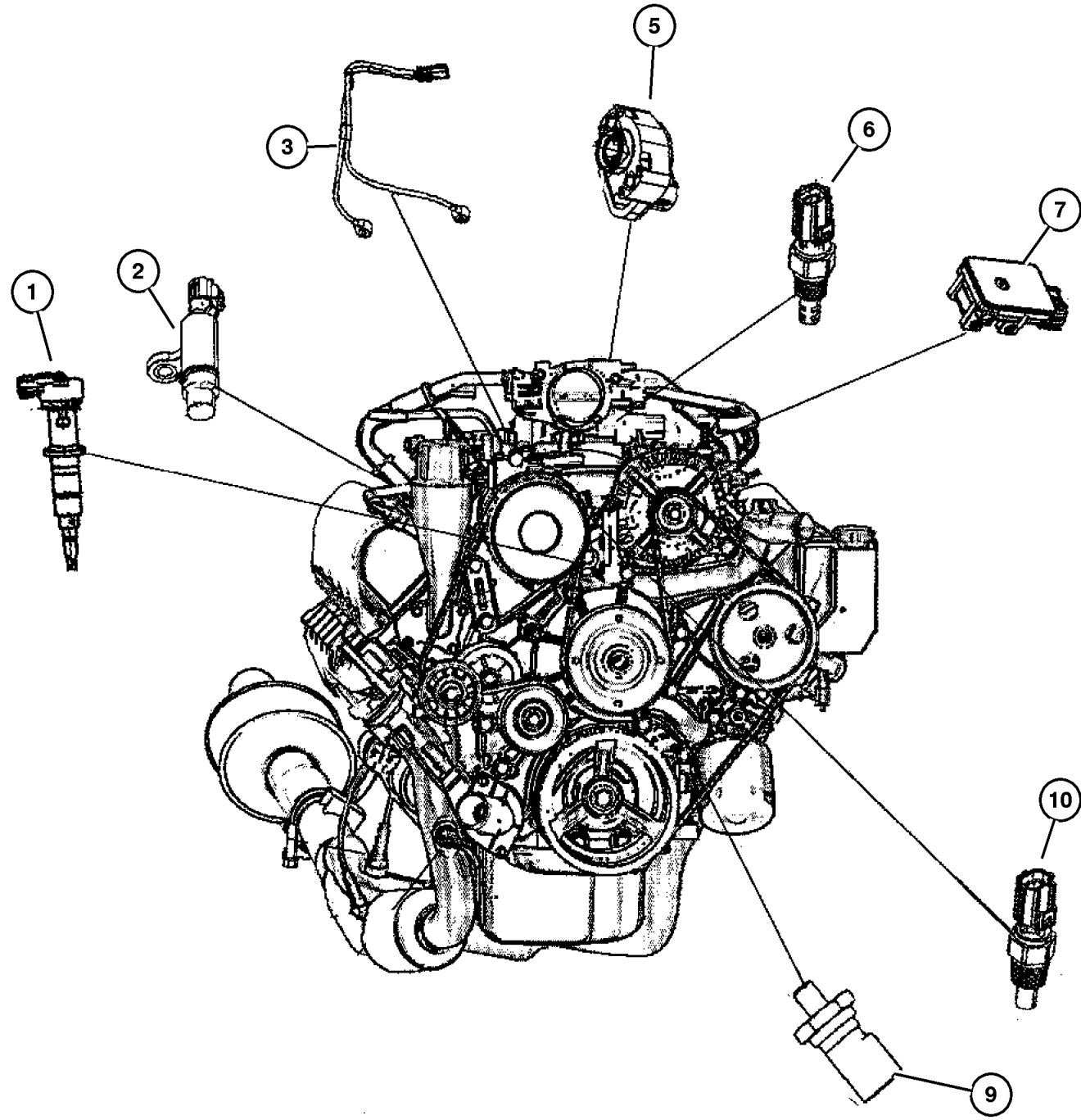


ITEM	PART NUMBER	QTY	LINE	SERIES	BODY	ENGINE	TRANS	TRIM	DESCRIPTION
Notes:									
[ER0]=All 4.0L Engine									
[DG0]=All Automatic Transmissions									
1	4868 672AA	1				ER0			SWITCH, Oil Pressure
2	4897 023AA	1				ER0			SENSOR, Camshaft
-3	J318 1288	1				ER0			GASKET, Distributor, Camshaft
									Position Sensor
-4	3300 4242	1				ER0			CLAMP, Distributor, Sensor Hold Down
5	53010 615AA	1				ER0			DRIVE, OIL PUMP
6	4897 321AA	1				ER0	DG0		SENSOR PACKAGE, Crankshaft Position
7	5602 7872	1				ER0			SENSOR, Air Temperature
8	56044 545AA	1				ER0			SENSOR, Map
-9	6504 512	2				ER0			SCREW, Pan Head, Map Sensor to Throttle Body Attaching
-10	5300 9672	1				ER0			CONNECTOR, Emission Hose, To MAP Sensor
11	5019 411AB	1				ER0			SENSOR, Throttle Position
-12	56041 675AA	1				ER0			SHIELD, Heat, Oxygen Sensor
-13	5602 7873	1				ER0			SENSOR, Coolant Temperature

JEEP GRAND CHEROKEE (WJ)				
SERIES	LINE	BODY	ENGINE	TRANSMISSION
H = Laredo	J = 4WD	74 = 4 Door	ERH = 4.0L, Power Tech I-6	DGK = 4 Speed Auto, 42RE
M = Sport	T = 2WD		EVA = 4.7L Power Tech V8	DGQ = 5 Speed Auto, 45RFE
P = Limited			EVC = 4.7L HO V8 MPI	DG0 = All Automatic Trans
S = Overland			ER0 = All 4.0L 6 Cyl Gas	
			EVO = All 4.7L Gas	

AR = Use as required - = Non illustrated part # = New this model year

Sensors, Engine (4.7L) [EV0]
Figure 008-610



ITEM	PART NUMBER	QTY	LINE	SERIES	BODY	ENGINE	TRANS	TRIM	DESCRIPTION
------	-------------	-----	------	--------	------	--------	-------	------	-------------

Notes:

[EV0]=4.7L Engine

[EVC]=4.7L Power Tech H V8 Engine

1	56041 584AC	1				EV0			SENSOR, Camshaft
2	56028 666AA	1				EV0			SENSOR, Crankshaft Position
3	56041 677AB	1				EVC			SENSOR, Knock
-4	56041 849AA	1				EVC			BRACKET, Knock Sensor
5	5017 479AA	1				EV0			SENSOR KIT, Throttle Position
6	56028 364AA	1				EV0			SENSOR, Air Temperature
7	56041 018AB	1				EV0			SENSOR, Map
-8	6505 501AA	2				EV0			SCREW, M4x16, Map Sensor Mounting
9	4868 672AA	1				EV0			SWITCH, Oil Pressure
10	5602 7873	1				EV0			SENSOR, Coolant Temperature

JEEP GRAND CHEROKEE (WJ)

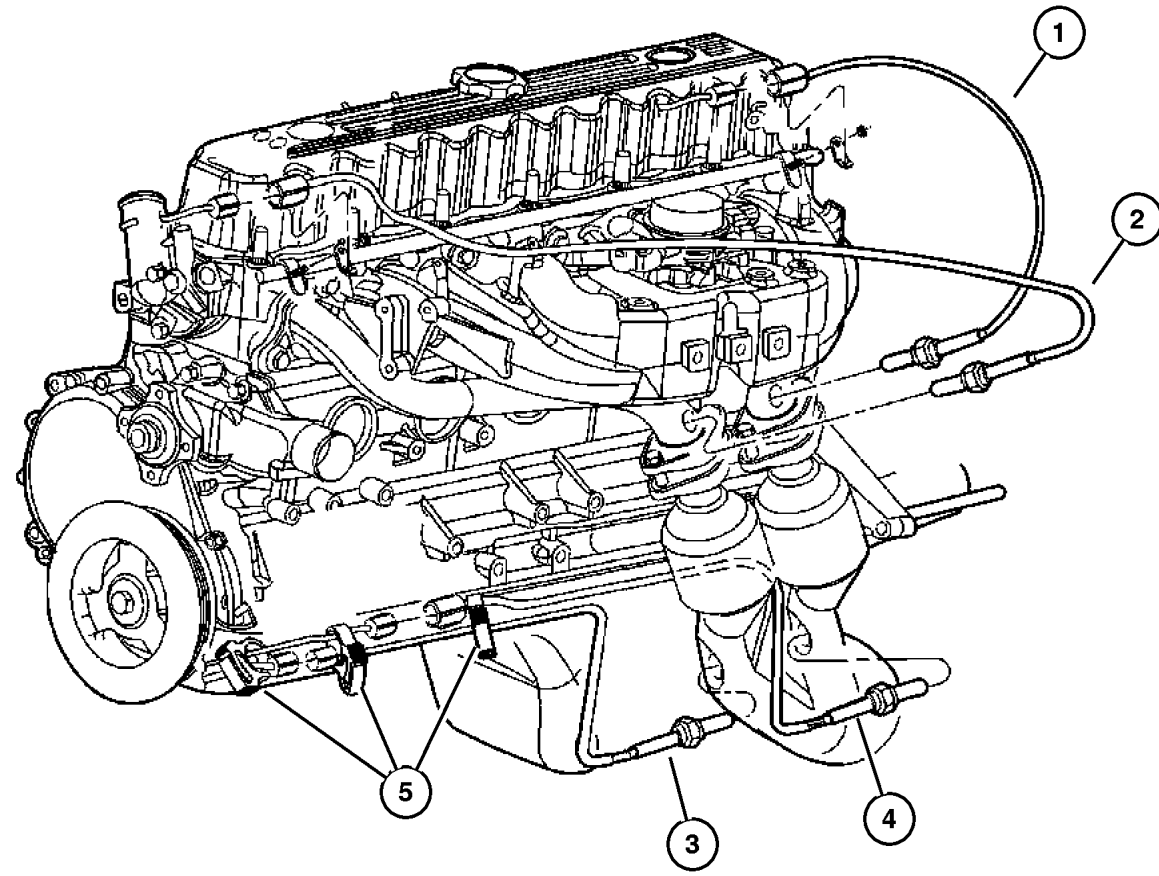
SERIES	LINE	BODY	ENGINE	TRANSMISSION
H = Laredo	J = 4WD	74 = 4 Door	ERH = 4.0L, Power Tech I-6	DGK = 4 Speed Auto, 42RE
M = Sport	T = 2WD		EVA = 4.7L Power Tech V8	DGQ = 5 Speed Auto, 45RFE
P = Limited			EVC = 4.7L HO V8 MPI	DG0 = All Automatic Trans
S = Overland			ER0 = All 4.0L 6 Cyl Gas	
			EV0 = All 4.7L Gas	

AR = Use as required - = Non illustrated part # = New this model year

December 1, 2003

Sensors, Oxygen 4.0L [ER0]
Figure 008-615

ITEM	PART NUMBER	QTY	LINE	SERIES	BODY	ENGINE	TRANS	TRIM	DESCRIPTION
1	#56028 994AA	1				ER0			SENSOR, Oxygen, Before catalyst rear
2	#56028 995AA	1				ER0			SENSOR, Oxygen, Before catalyst front
3	#56028 997AA	1				ER0			SENSOR, Oxygen, After catalyst front
4	#5139 021AA	1				ER0			SENSOR PACKAGE, Oxygen, After catalyst rear
5									CLIP, (NOT SERVICED) (Not Serviced)



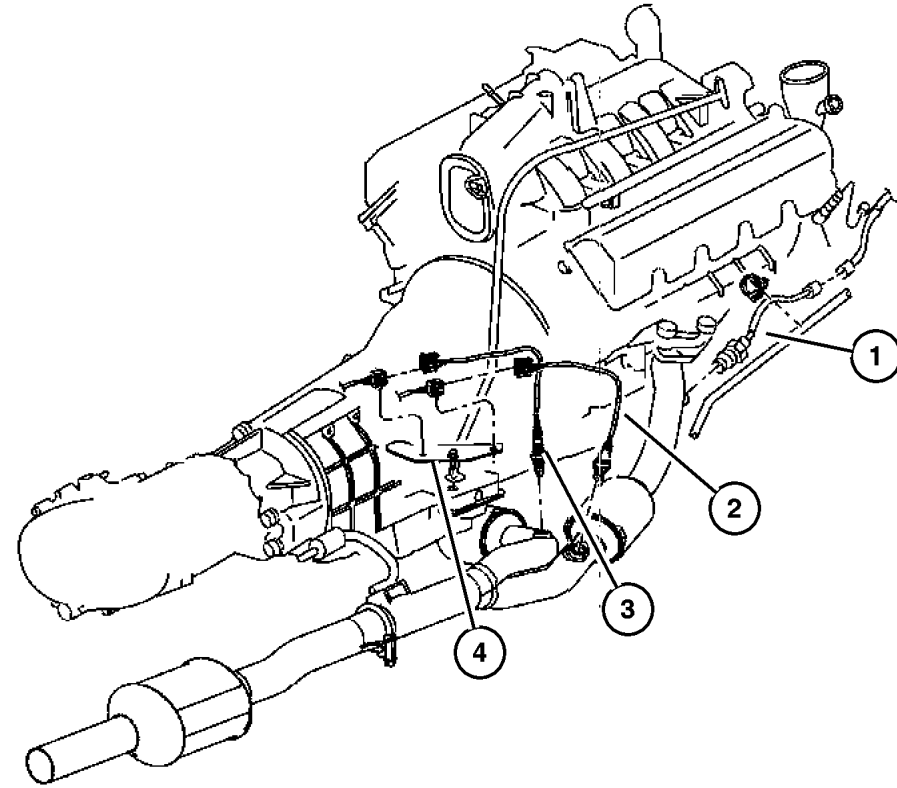
JEEP GRAND CHEROKEE (WJ)				
SERIES	LINE	BODY	ENGINE	TRANSMISSION
H = Laredo	J = 4WD	74 = 4 Door	ERH = 4.0L, Power Tech I-6	DGK = 4 Speed Auto, 42RE
M = Sport	T = 2WD		EVA = 4.7L Power Tech V8	DGQ = 5 Speed Auto, 45RFE
P = Limited			EVC = 4.7L HO V8 MPI	DG0 = All Automatic Trans
S = Overland			ER0 = All 4.0L 6 Cyl Gas	
			EVO = All 4.7l Gas	

AR = Use as required - = Non illustrated part # = New this model year

December 1, 2003

Sensors, Oxygen 4.7L [EV0]
Figure 008-620

ITEM	PART NUMBER	QTY	LINE	SERIES	BODY	ENGINE	TRANS	TRIM	DESCRIPTION
1									SENSOR, Oxygen
	#56044 581AA	1				EV0			Before catalyst right side
	#56044 580AA	1				EV0			Before catalyst left side
2	#56044 583AA	1				EV0			SENSOR, Oxygen, After catalyst right side
3	#56044 582AA	1				EV0			SENSOR, Oxygen, After catalyst left side
4	56041 478AB	1				EV0			BRACKET, Oxygen Sensor



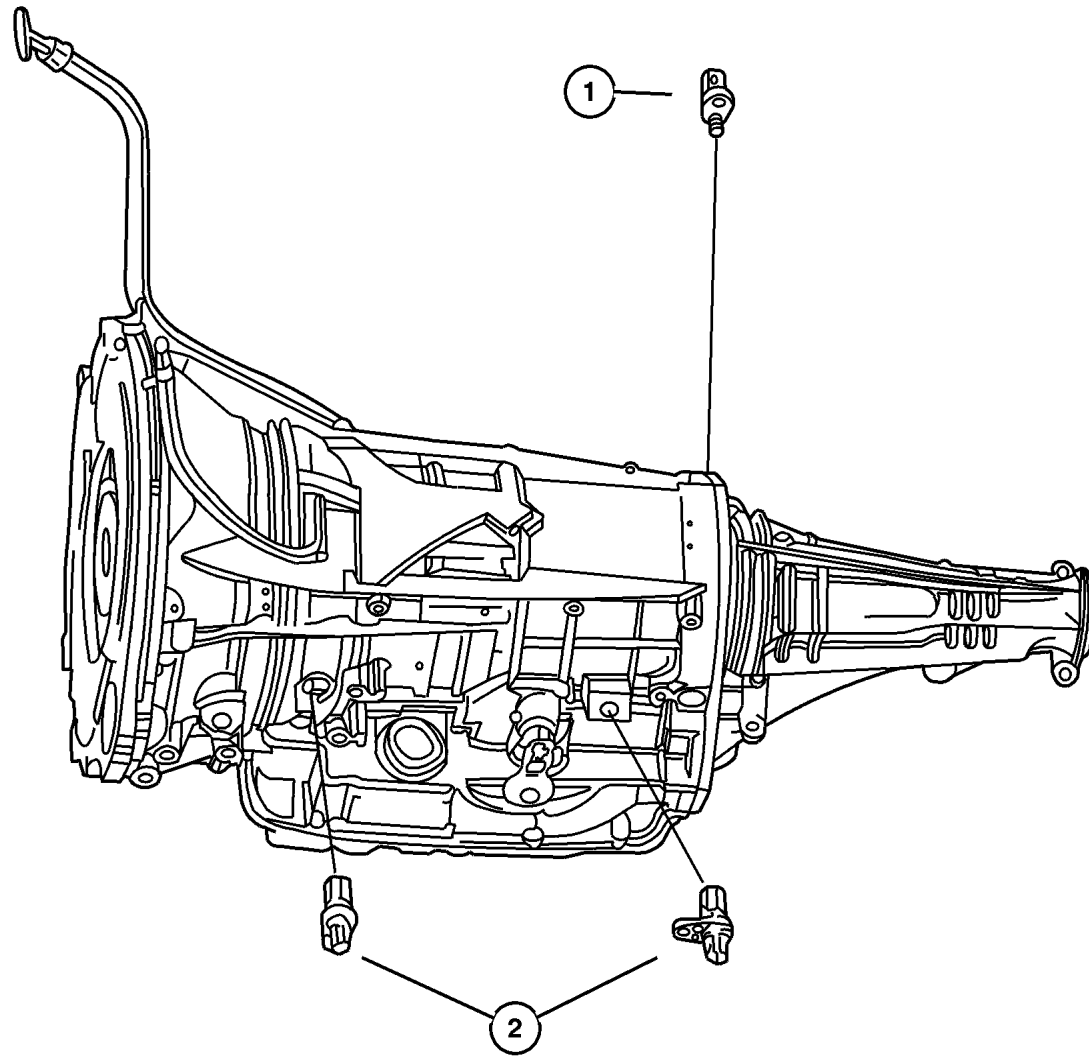
JEEP GRAND CHEROKEE (WJ)

SERIES	LINE	BODY	ENGINE	TRANSMISSION
H = Laredo	J = 4WD	74 = 4 Door	ERH = 4.0L, Power Tech I-6	DGK = 4 Speed Auto, 42RE
M = Sport	T = 2WD		EVA = 4.7L Power Tech V8	DGQ = 5 Speed Auto, 45RFE
P = Limited			EVC = 4.7L HO V8 MPI	DG0 = All Automatic Trans
S = Overland			ER0 = All 4.0L 6 Cyl Gas	
			EV0 = All 4.7L Gas	

AR = Use as required - = Non illustrated part # = New this model year

December 1, 2003

Sensors Drivetrain
Figure 008-625



ITEM	PART NUMBER	QTY	LINE	SERIES	BODY	ENGINE	TRANS	TRIM	DESCRIPTION
------	-------------	-----	------	--------	------	--------	-------	------	-------------

Notes:

[DGK]=4 Speed Automatic Transmission

[DGQ]=5 Speed Automatic Transmission

1									TRANSDUCER, Pressure Sensor, Transmission Temperature Thermister
	5073 617AA	1				EVO ERO			
	56028 196AD	1	J				DGK		
		1	T				DGK		
2									SENSOR, Transmission Output Speed
	4800 879	1	T				DGK		
		1	J				DGK		
	4799 061	2	J				DGQ		
		2	T				DGQ		

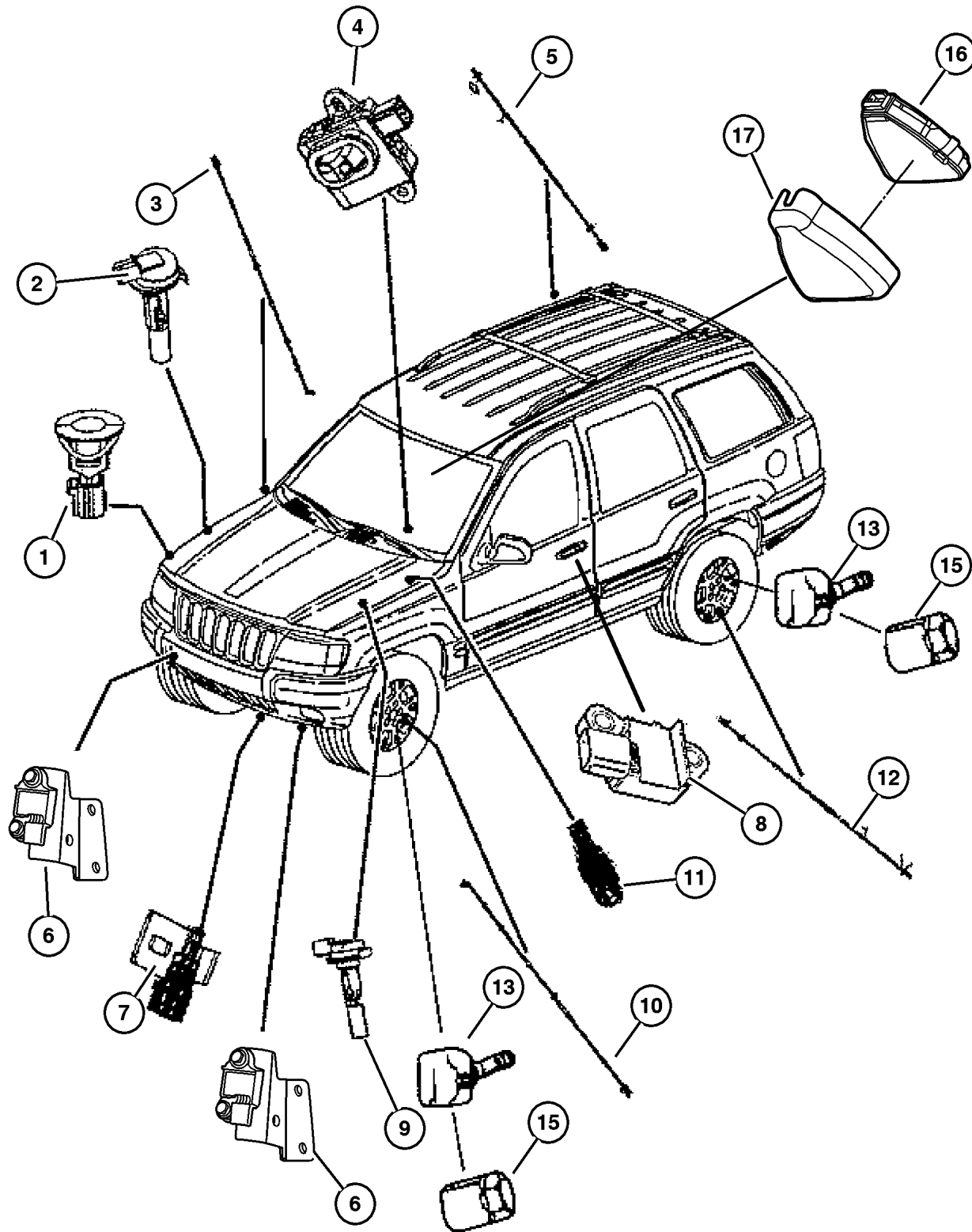
JEEP GRAND CHEROKEE (WJ)

SERIES	LINE	BODY	ENGINE	TRANSMISSION
H = Laredo	J = 4WD	74 = 4 Door	ERH = 4.0L, Power Tech I-6	DGK = 4 Speed Auto, 42RE
M = Sport	T = 2WD		EVA = 4.7L Power Tech V8	DGQ = 5 Speed Auto, 45RFE
P = Limited			EVC = 4.7L HO V8 MPI	DG0 = All Automatic Trans
S = Overland			ER0 = All 4.0L 6 Cyl Gas	
			EVO = All 4.7l Gas	

AR = Use as required - = Non illustrated part # = New this model year

December 1, 2003

Sensors Body Figure 008-630



ITEM	PART NUMBER	QTY	LINE	SERIES	BODY	ENGINE	TRANS	TRIM	DESCRIPTION
Notes:									
						[ER0] = 4.0L Engine			
						[EV0] = 4.7L Engine			
1	5604 1053	1				ER0, EV0			SENSOR, Battery Temperature
2	5207 9468	1				EV0			SENSOR, Coolant Level
		1				ER0			
3	56041 316AB	1	J						SENSOR, Wheel Speed
		1	T						
4	56042 584AA	1							SENSOR, Headlamp
5	56041 308AA	1							SENSOR, Wheel Speed
6	56010 410AC	1							SENSOR, Air Bag Bracket Serviced with Sensor Only, Right
	56010 411AC	1							Bracket Serviced with Sensor Only, Left
7	5604 2395	1		H, M P, S					SENSOR, Ambient Temperature
8	56010 319AB	1							SENSOR, Air Bag
9	4882 797	1							SENSOR, Washer Fluid Level
10	56041 308AA	1							SENSOR, Wheel Speed
11	5013 903AA	1							SENSOR, Brake Fluid Level
12	56041 509AA	1							SENSOR, Wheel Speed
13	52088 990AC	4							SENSOR, Tire Pressure, valve stem
-14	52109 664AA	1							MAGNET, Tire Pressure Sensor Locator
15	52088 961AA	4							NUT
16	56042 759AH	1							SENSOR, Rain
17	5HJ50 DX9AB	1							COVER, Sensor

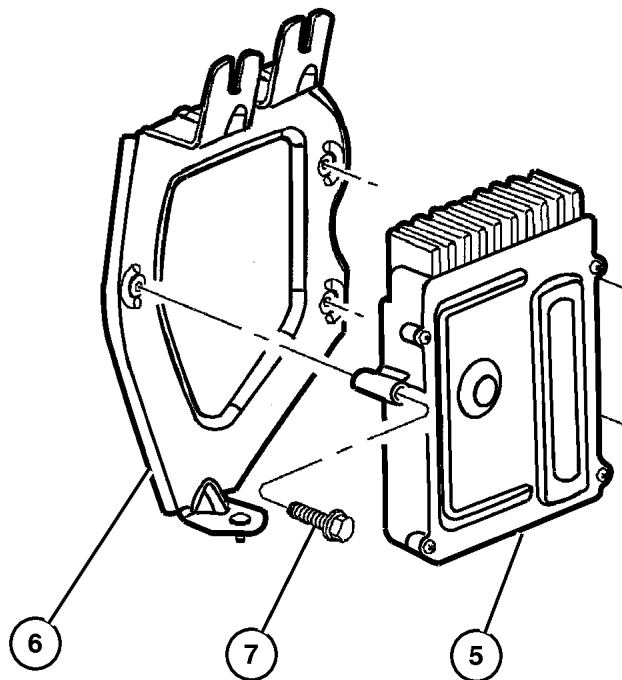
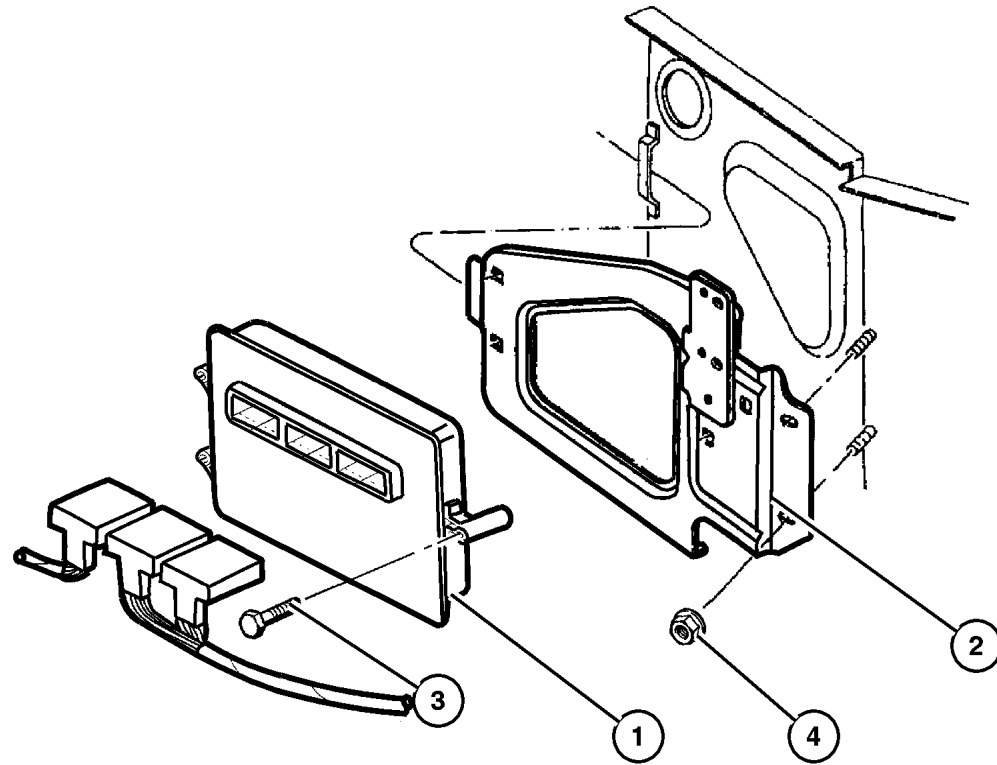
JEEP GRAND CHEROKEE (WJ)

SERIES	LINE	BODY	ENGINE	TRANSMISSION
H = Laredo	J = 4WD	74 = 4 Door	ERH = 4.0L, Power Tech I-6	DGK = 4 Speed Auto, 42RE
M = Sport	T = 2WD		EVA = 4.7L Power Tech V8	DGQ = 5 Speed Auto, 45RFE
P = Limited			EVC = 4.7L HO V8 MPI	DG0 = All Automatic Trans
S = Overland			ER0 = All 4.0L 6 Cyl Gas	
			EV0 = All 4.7L Gas	

AR = Use as required - = Non illustrated part # = New this model year

December 1, 2003

JTEC Modules
Figure 008-710



ITEM	PART NUMBER	QTY	LINE	SERIES	BODY	ENGINE	TRANS	TRIM	DESCRIPTION
Notes:									
[ER0]=4.0L Engine									
[EVA]=4.7L Power Tech Engine									
[EVC]=4.7L Power Tech HO V-8									
[EV0]=4.7L Engine									
[DG0]=Automatic Transmission									
[DGQ]= Automatic Transmission 5 Speed Automatic									
[DGK]=Automatic Transmission 4 Speed									
1									MODULE, Powertrain Control
	#56044 563AB	1				ER0	DG0		
	#56044 564AB	1				EVA	DG0		
	#56044 565AB	1				EVC	DG0		
2	56028 139AB	1				ER0,	DG0		BRACKET, Control Unit
						EV0			
3									SCREW
	6035 884	3				ER0,	DG0		
						EV0			
							DGQ		
4	6503 102	2							NUT AND WASHER, Hex Nut-Coned Washer, M6 x 1.00
5	56044 574AB	1				EV0	DGQ		MODULE, Transmission Control
6	5604 1045	1					DGQ		BRACKET, Control Unit
7									SCREW
	6035 884	3				ER0,	DG0		
						EV0			
							DGQ		
-8	6503 825	3							NUT AND WASHER, Hex Nut-Coned Washer, M6 x 1.00

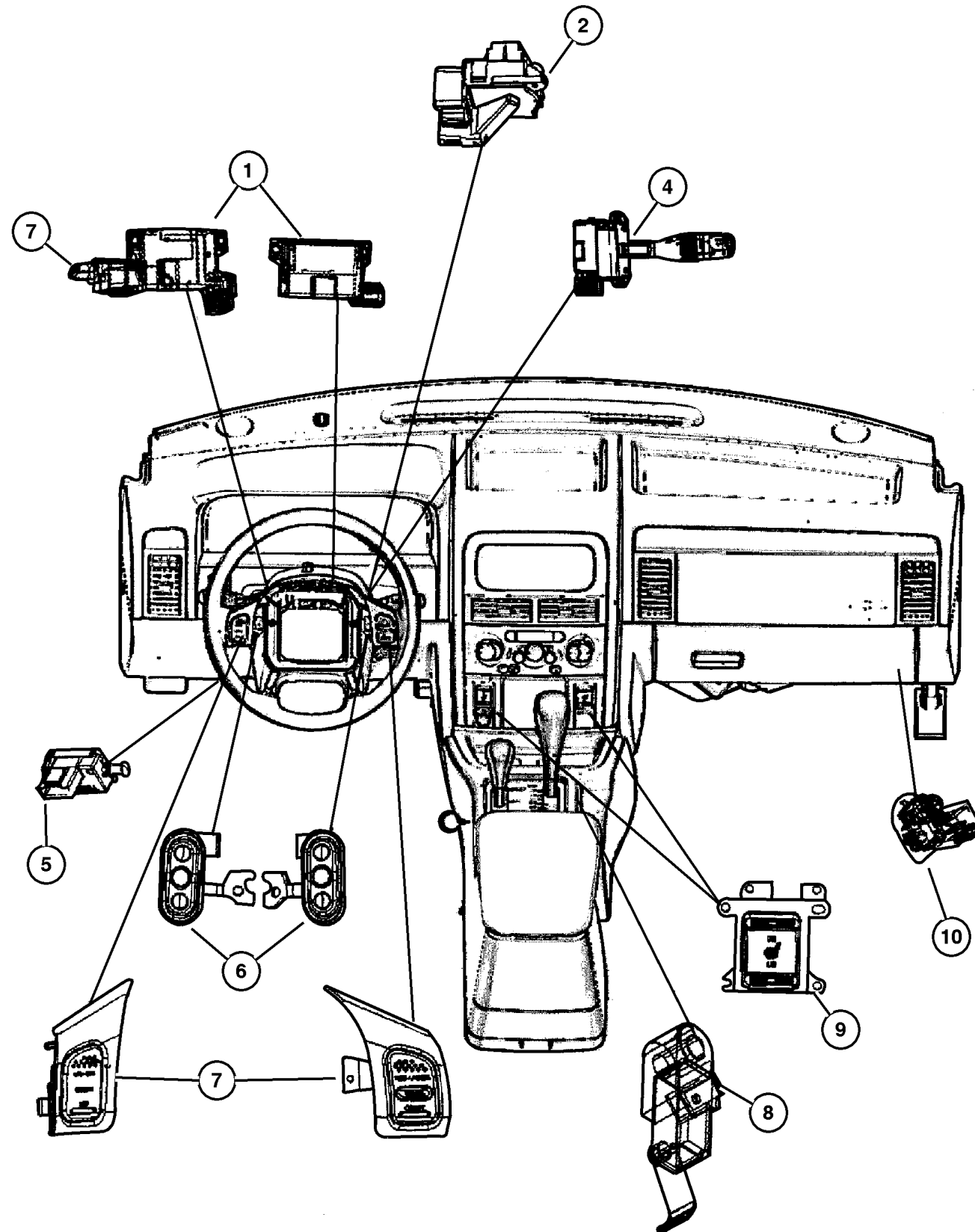
JEEP GRAND CHEROKEE (WJ)

SERIES	LINE	BODY	ENGINE	TRANSMISSION
H = Laredo	J = 4WD	74 = 4 Door	ERH = 4.0L, Power Tech I-6	DGK = 4 Speed Auto, 42RE
M = Sport	T = 2WD		EVA = 4.7L Power Tech V8	DGQ = 5 Speed Auto, 45RFE
P = Limited			EVC = 4.7L HO V8 MPI	DG0 = All Automatic Trans
S = Overland			ER0 = All 4.0L 6 Cyl Gas	
			EV0 = All 4.7L Gas	

AR = Use as required - = Non illustrated part # = New this model year

December 1, 2003

Switches (Instrument Panel and Console)
Figure 008-810



ITEM	PART NUMBER	QTY	LINE	SERIES	BODY	ENGINE	TRANS	TRIM	DESCRIPTION
1	56042 299AG	1							SWITCH, Multifunction, Left Side Without Foglamp & without Automatic Headlamps
	56042 300AG	1							With Foglamp & without Automatic Headlamps
	56042 301AG	1							Without Foglamp & with Automatic Headlamps
	56042 302AG	1							With Foglamp, Rain Sensitive Windshield Wiper & with Automatic Headlamps
		1							With Foglamp, Automatic Headlamps & without Rain Sensitive Windshield Wiper
2	56042 476AC	1							SWITCH, Ignition
-3	6035 021	1							SCREW, Pan Head Tapping, .125-40x.437, Ignition Switch Attaching
4									SWITCH, Wiper and Washer
	56042 769AA	1							Without Rain Sensitive Wiper
	56050 003AB	1							With Rain Sensitive Wiper
5	4671 336	1							SWITCH, Stop Lamp
6									SWITCH, Remote Radio
	56042 312AB	1							Right
	56042 313AB	1							Left
7									SWITCH, Speed Control
	56042 310AC	1							Without Leather Wrapped Steering Wheel, Right
	56042 311AC	1							Without Leather Wrapped Steering Wheel, Left
	5GY38 1DVAA	1							With Wood/Leather Wrapped Steering Wheel, Right
	5GY39 1DVAA	1							With Wood/Leather Wrapped Steering Wheel, Left
	5GY38 1TMAA	1			P				With Leather Wrapped Steering Wheel [T5], Right
	5GY39 1L8AA	1			P				With Leather Wrapped Steering Wheel [L5], Left
	5GY39 1TMAA	1			P				With Leather Wrapped Steering Wheel [T5], Left
	5GY38 1L8AA	1			P				With Leather Wrapped Steering Wheel [L5], Right
8	5212 7960	1							SWITCH, Parking Brake
9									SWITCH, Heated Seat

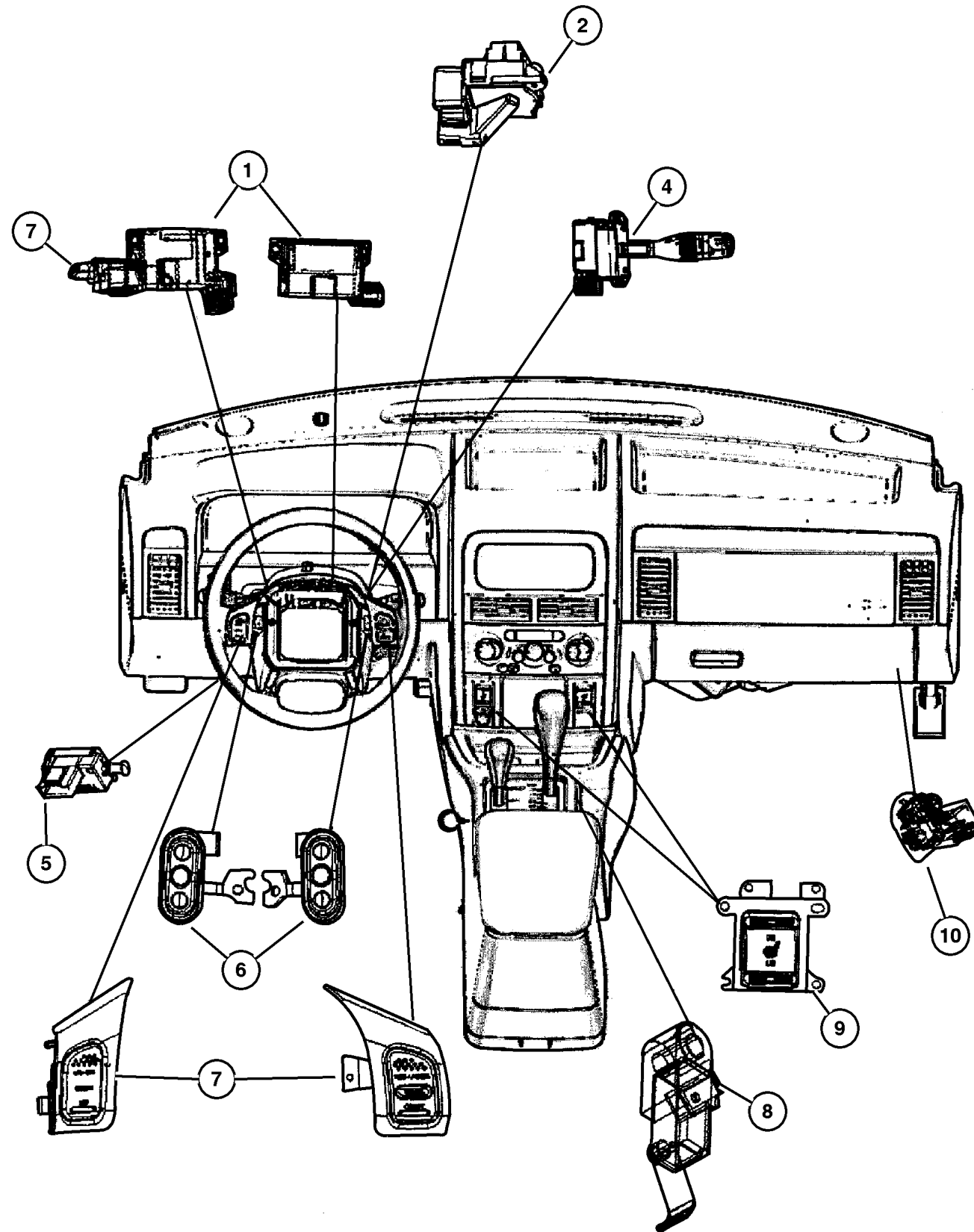
JEEP GRAND CHEROKEE (WJ)

SERIES	LINE	BODY	ENGINE	TRANSMISSION
H = Laredo	J = 4WD	74 = 4 Door	ERH = 4.0L, Power Tech I-6	DGK = 4 Speed Auto, 42RE
M = Sport	T = 2WD		EVA = 4.7L Power Tech V8	DGQ = 5 Speed Auto, 45RFE
P = Limited			EVC = 4.7L HO V8 MPI	DG0 = All Automatic Trans
S = Overland			ER0 = All 4.0L 6 Cyl Gas	
			EVO = All 4.7L Gas	

AR = Use as required - = Non illustrated part # = New this model year

December 1, 2003

Switches (Instrument Panel and Console)
Figure 008-810



ITEM	PART NUMBER	QTY	LINE	SERIES	BODY	ENGINE	TRANS	TRIM	DESCRIPTION
	56033 017AB	1							Right
	56033 019AB	1							Left
10	4565 022	1							SWITCH AND LAMP, Glove Box
-11	5HU33 1DVAB	1							SWITCH, Adjustable Pedals
									[DB]
									[DV]
	5HU33 1L8AB	1							[L5]
	5HU33 1TMAB	1							[T5]
-12									SWITCH, Horn
	5014 533AA	1							P
		1							H
		1							M
		1	J						X
-13	56042 297AE	1							HOUSING, Switch, Multi-Function Switch

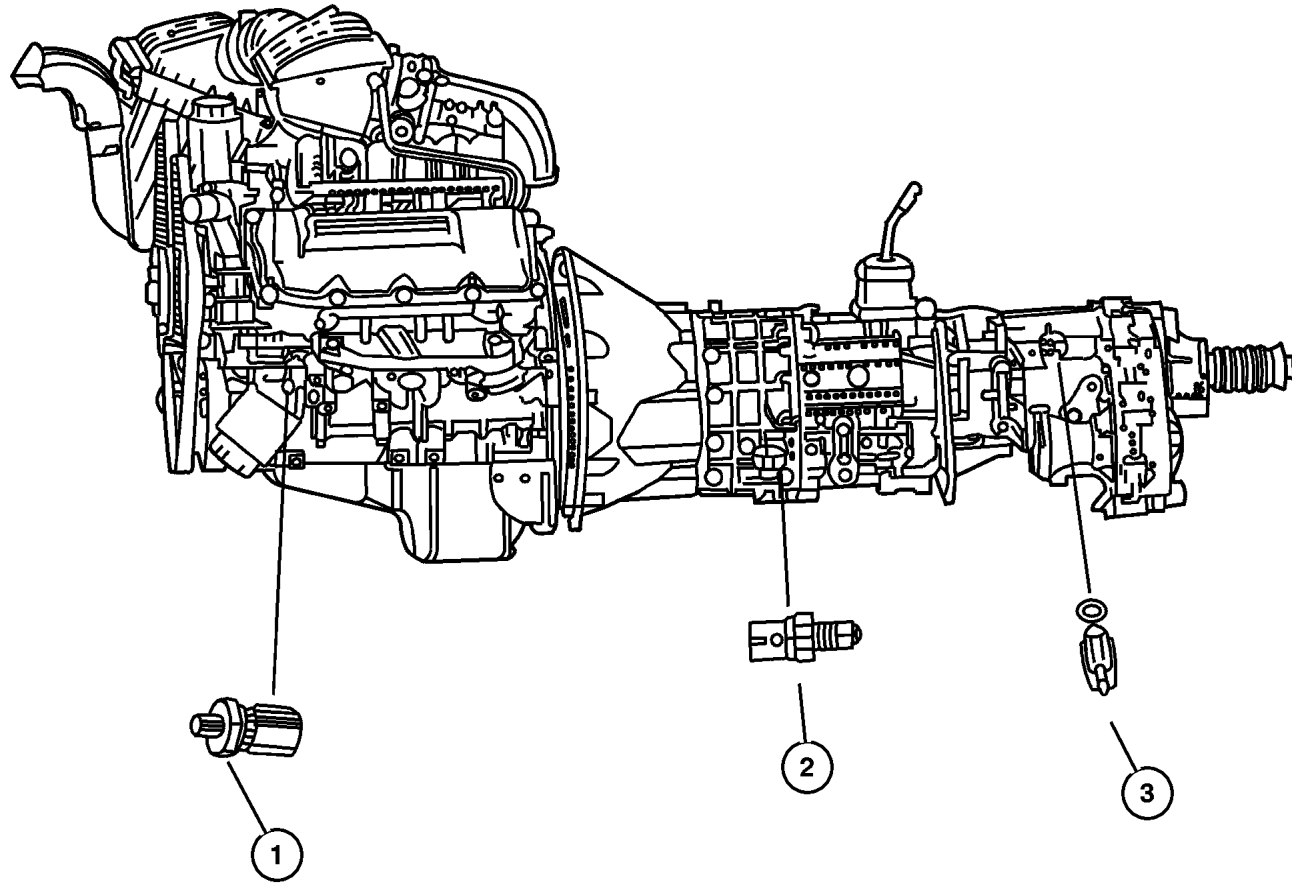
JEEP GRAND CHEROKEE (WJ)

SERIES	LINE	BODY	ENGINE	TRANSMISSION
H = Laredo	J = 4WD	74 = 4 Door	ERH = 4.0L, Power Tech I-6	DGK = 4 Speed Auto, 42RE
M = Sport	T = 2WD		EVA = 4.7L Power Tech V8	DGQ = 5 Speed Auto, 45RFE
P = Limited			EVC = 4.7L HO V8 MPI	DG0 = All Automatic Trans
S = Overland			ER0 = All 4.0L 6 Cyl Gas	
			EVO = All 4.7L Gas	

AR = Use as required - = Non illustrated part # = New this model year

December 1, 2003

**Switches, (Drive Train)
Figure 008-820**



ITEM	PART NUMBER	QTY	LINE	SERIES	BODY	ENGINE	TRANS	TRIM	DESCRIPTION
Notes:									
[ER0] = 4.7L Engine									
[EV0] = 4.7L Engine									
[DGK] = 4 Speed Automatic Transmission									
1									SWITCH, Oil Pressure
	4868 672AA	1				ER0			
		1				EV0			
2									SWITCH, Neutral, Safety, Back Up
	3747 361	1	T				DGK		
		1	J				DGK		
3						ER0			SWITCH, Transfer Case, 5 Position
	5083 138AA	1	J						

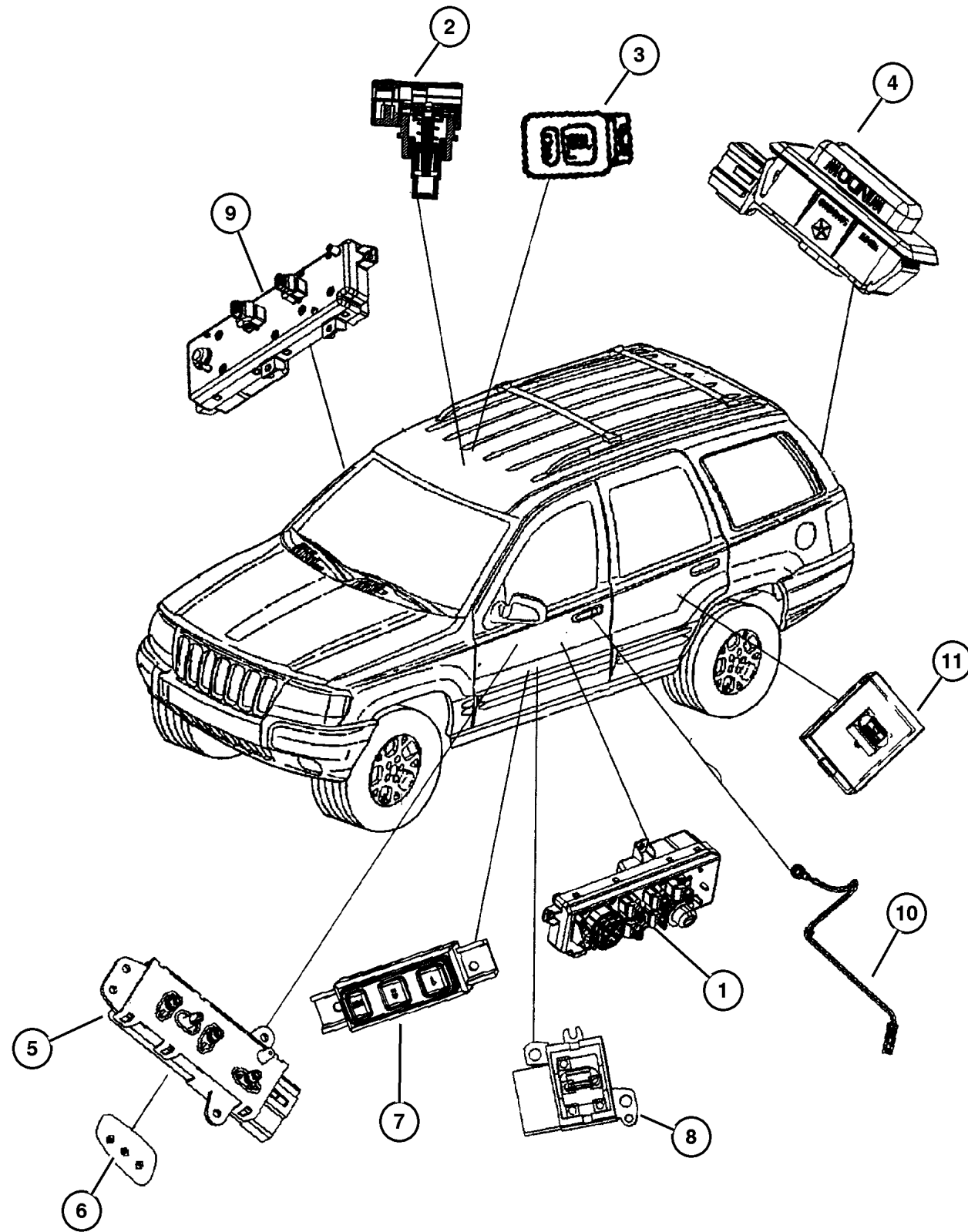
JEEP GRAND CHEROKEE (WJ)

SERIES	LINE	BODY	ENGINE	TRANSMISSION
H = Laredo	J = 4WD	74 = 4 Door	ERH = 4.0L, Power Tech I-6	DGK = 4 Speed Auto, 42RE
M = Sport	T = 2WD		EVA = 4.7L Power Tech V8	DGQ = 5 Speed Auto, 45RFE
P = Limited			EVC = 4.7L HO V8 MPI	DG0 = All Automatic Trans
S = Overland			ER0 = All 4.0L 6 Cyl Gas	
			EV0 = All 4.7L Gas	

AR = Use as required - = Non illustrated part # = New this model year

December 1, 2003

Switches, (Body)
Figure 008-830



ITEM	PART NUMBER	QTY	LINE	SERIES	BODY	ENGINE	TRANS	TRIM	DESCRIPTION
1									SWITCH, Door Module, Keyless Entry Module Serviced w/Driver Door Switch Module (Except JAPAN)
	#5JM60 DX9AB	1		S					[DB]
		1		P					[DV]
		1		P					[L5]
		1		P					[T5]
		1		H					[DV]
		1		H					[L5]
		1		H					[T5]
2	4685 445	1							SWITCH, Reading Lamp
3	5604 2064	1							SWITCH, 1 Gang, Sunroof
4									SWITCH, Flipper Window
	56042 450AB	1		H, M					
		1		P					
		1	J	S					
5									SWITCH, Seat
	4373 666	2							8 Way
	4601 756AB	1							10 Way Heated Seats, Right
	4601 757AB	1							6 or 10 Way Heated Seats with
									Memory, Left
6									KNOB, Power Seat Switch
	4607 042AB	1							Without Graphics, Right
	4607 043AB	1							Without Graphics, Left
	4607 045AB	1							Recliner without Graphics, Left
	4607 044AB	1							Recliner without Graphics, Right
7									SWITCH, Memory Selector
	56042 291AB	1		S					
		1		P					
8	5604 2387	1							SWITCH
9									SWITCH, Door Module, Keyless Entry Module Serviced w/ Passenger Door Switch Module (Except JAPAN)
	#5JM61 DX9AB	1		P					[DV]
		1		P					[L5]
		1		P					[T5]
		1		H					[DV]
		1		H					[L5]
		1		H					[T5]

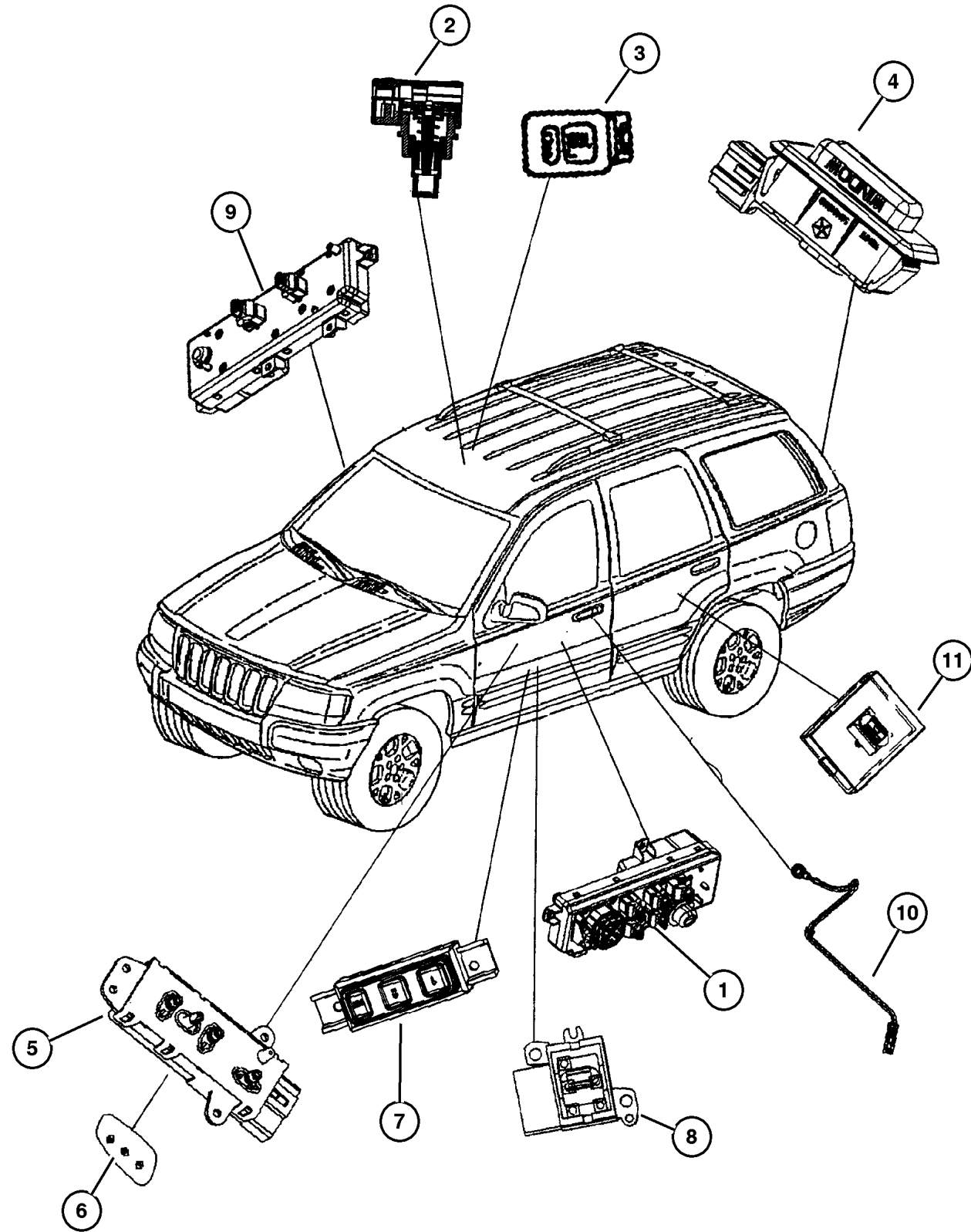
JEEP GRAND CHEROKEE (WJ)

SERIES	LINE	BODY	ENGINE	TRANSMISSION
H = Laredo	J = 4WD	74 = 4 Door	ERH = 4.0L, Power Tech I-6	DGK = 4 Speed Auto, 42RE
M = Sport	T = 2WD		EVA = 4.7L Power Tech V8	DGQ = 5 Speed Auto, 45RFE
P = Limited			EVC = 4.7L HO V8 MPI	DG0 = All Automatic Trans
S = Overland			ER0 = All 4.0L 6 Cyl Gas	
			EVO = All 4.7L Gas	

AR = Use as required - = Non illustrated part # = New this model year

December 1, 2003

Switches, (Body)
Figure 008-830



ITEM	PART NUMBER	QTY	LINE	SERIES	BODY	ENGINE	TRANS	TRIM	DESCRIPTION
		1		S					[DB]
10	55136 557AA	1							SWITCH, Security Alarm
11									SWITCH, Power Window
	5HB57 DX9AA	1		H					Rear Door
		1		S					Rear Door
		1		P					Rear Door
-12									SWITCH, Adjustable Pedals
	5HU33 1DVAB	1							[DB]
		1							[DV]
	5HU33 1L8AB	1							[L5]
	5HU33 1TMAB	1							[T5]

JEEP GRAND CHEROKEE (WJ)

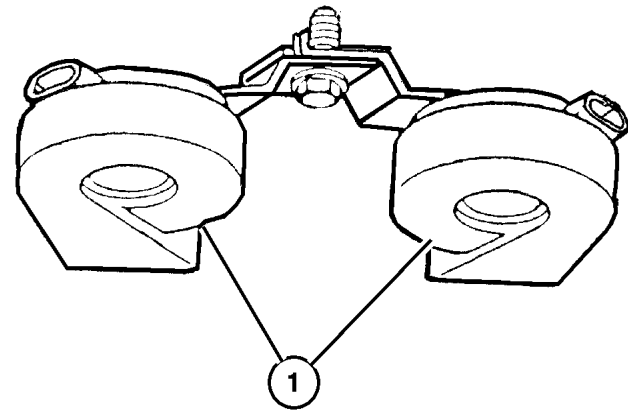
SERIES	LINE	BODY	ENGINE	TRANSMISSION
H = Laredo	J = 4WD	74 = 4 Door	ERH = 4.0L, Power Tech I-6	DGK = 4 Speed Auto, 42RE
M = Sport	T = 2WD		EVA = 4.7L Power Tech V8	DGQ = 5 Speed Auto, 45RFE
P = Limited			EVC = 4.7L HO V8 MPI	DG0 = All Automatic Trans
S = Overland			ER0 = All 4.0L 6 Cyl Gas	
			EVO = All 4.7l Gas	

AR = Use as required - = Non illustrated part # = New this model year

December 1, 2003

Horns
Figure 008-910

ITEM	PART NUMBER	QTY	LINE	SERIES	BODY	ENGINE	TRANS	TRIM	DESCRIPTION
1	56042 315AE	1							HORN, Duel



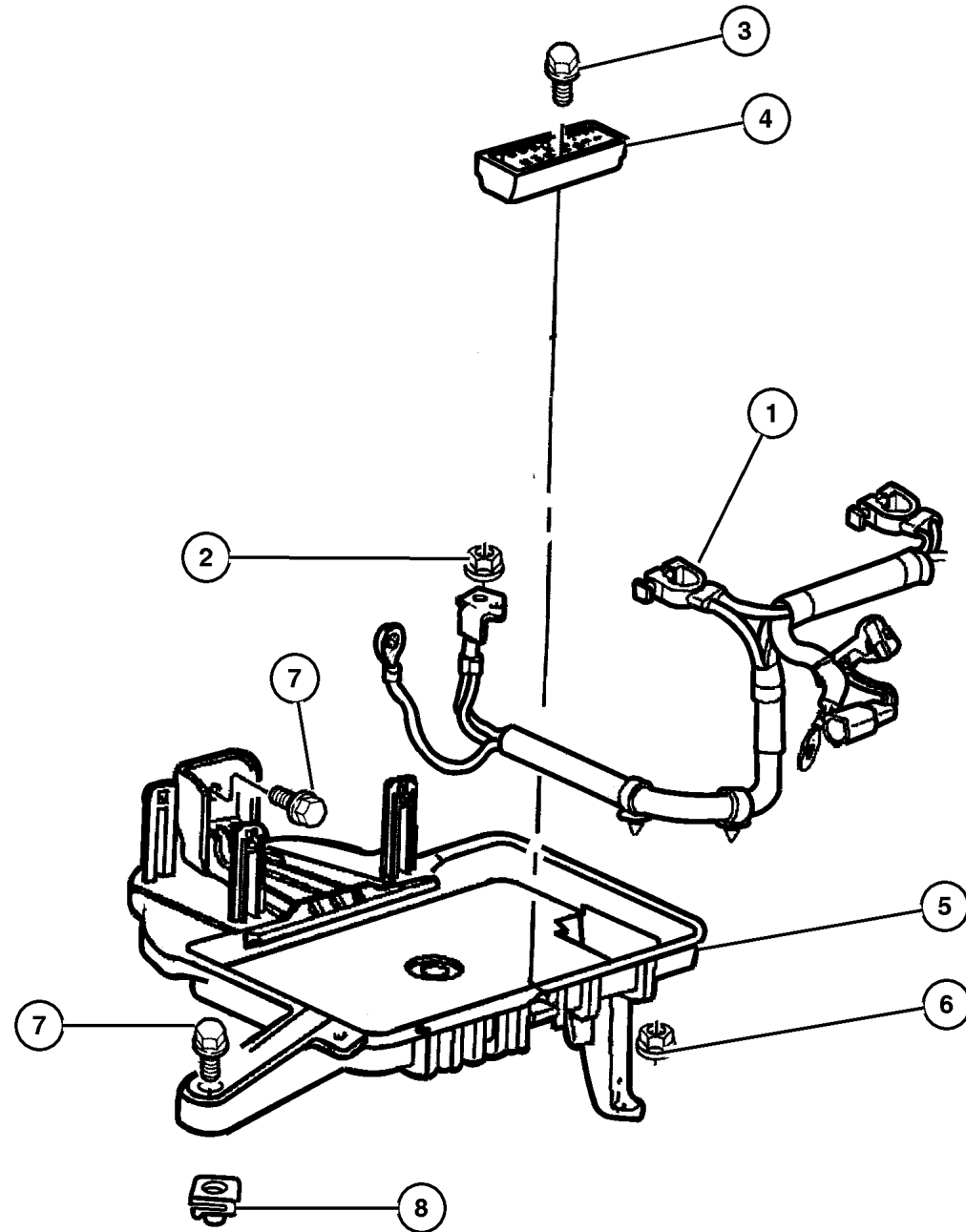
JEEP GRAND CHEROKEE (WJ)

SERIES	LINE	BODY	ENGINE	TRANSMISSION
H = Laredo	J = 4WD	74 = 4 Door	ERH = 4.0L, Power Tech I-6	DGK = 4 Speed Auto, 42RE
M = Sport	T = 2WD		EVA = 4.7L Power Tech V8	DGQ = 5 Speed Auto, 45RFE
P = Limited			EVC = 4.7L HO V8 MPI	DG0 = All Automatic Trans
S = Overland			ER0 = All 4.0L 6 Cyl Gas	
			EVO = All 4.7l Gas	

AR = Use as required - = Non illustrated part # = New this model year

December 1, 2003

Battery Tray & Cables Figure 008-1010



ITEM	PART NUMBER	QTY	LINE	SERIES	BODY	ENGINE	TRANS	TRIM	DESCRIPTION
Notes:									
ER0=4.0L Engine									
EV0=4.7L Engine									
1									WIRING, Alternator and Battery
	#56050 276AC	1				ER0			
	#56050 277AD	1				EV0			
2	6101 808	2				ER0, EV0			NUT, Hex, M6x1
3									SCREW AND WASHER, (NOT SERVICED) (Not Serviced)
4	55136 959AC	1				ER0, EV0			BRACKET, Battery Hold Down
5	55137 183AC	1				ER0, EV0			SUPPORT, Battery
6	6503 504	2							NUT AND WASHER, Hex, M6x1
7	6100 568	4							BOLT AND WASHER, Implement Attaching
8	6101 712	1				ER0, EV0			NUT, U, M6x1

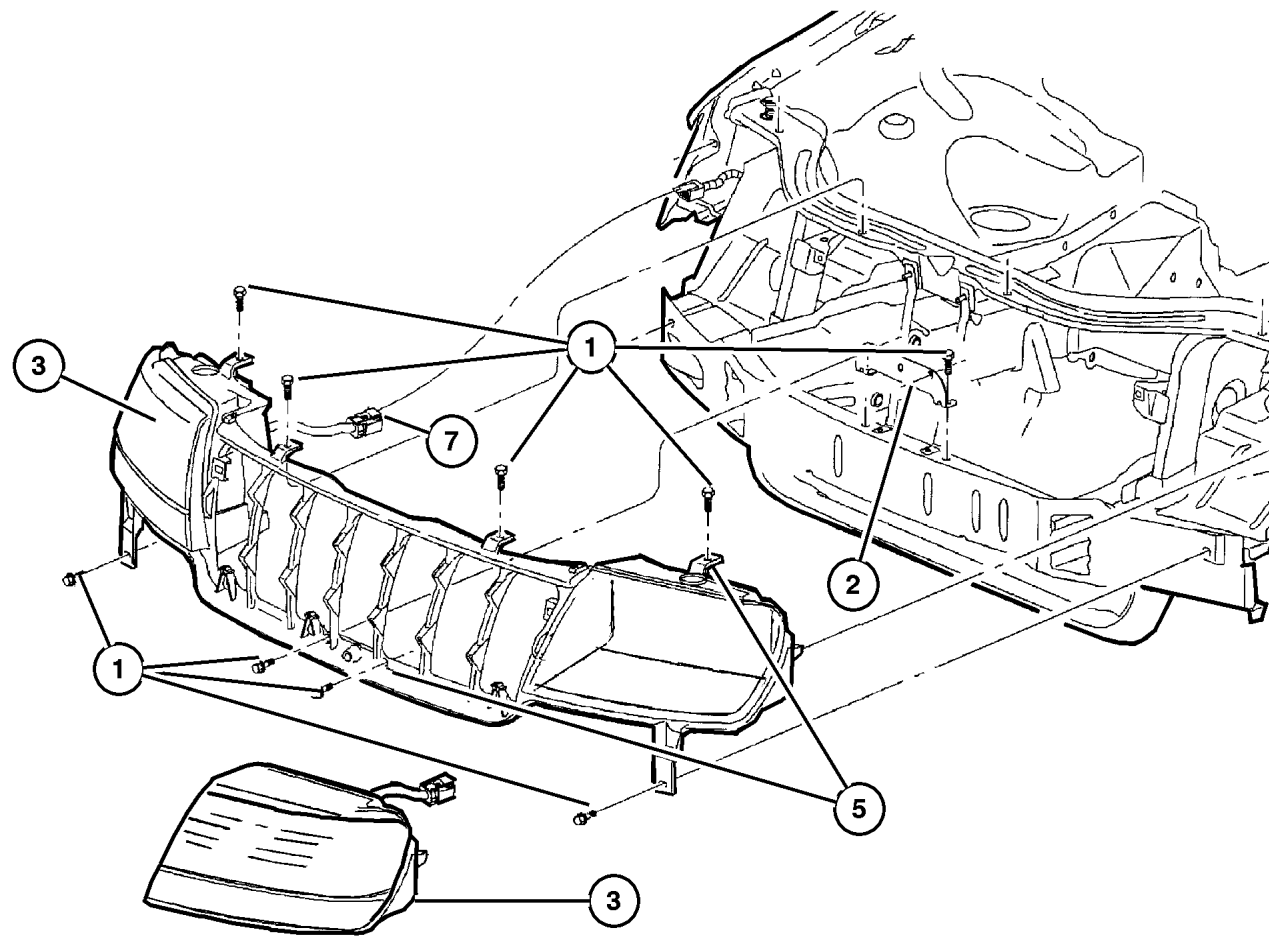
JEEP GRAND CHEROKEE (WJ)

SERIES	LINE	BODY	ENGINE	TRANSMISSION
H = Laredo	J = 4WD	74 = 4 Door	ERH = 4.0L, Power Tech I-6	DGK = 4 Speed Auto, 42RE
M = Sport	T = 2WD		EVA = 4.7L Power Tech V8	DGQ = 5 Speed Auto, 45RFE
P = Limited			EVC = 4.7L HO V8 MPI	DG0 = All Automatic Trans
S = Overland			ER0 = All 4.0L 6 Cyl Gas	
			EV0 = All 4.7L Gas	

AR = Use as required - = Non illustrated part # = New this model year

December 1, 2003

Lamp - Front End
Figure 008-1110



ITEM	PART NUMBER	QTY	LINE	SERIES	BODY	ENGINE	TRANS	TRIM	DESCRIPTION
1	6503 259	2							SCREW, Tapping, M6x1x20
2	55155 706AD	1							BRACKET, Headlamp Panel
3									LAMP, Headlamp Park And Turn
	55155 128AG	1		H, M					Right
	55155 552AF	1		P, S					Right
	55155 129AG	1		H, M					Left
	55155 553AF	1		P, S					Left
-4									SCREW, Large Round Washer Head
	6504 483	2		H, M					
		2		P, S					
5									SUPPORT, Headlamp Panel
	#55156 753AA	1		H, M					
		1		P, X					
		1		P, S					
-6									RETAINER, Headlamp Receptical
	5012 685AA	4		H, M					
		4		P, S					
7									WIRING, Headlamp
	5012 604AA	1		H, M					
		1		P, X					
		1		P, S					
-8									SENSOR, Ambient Temperature
	5604 2395	1		H, M					
		1		P, S					
-9									NUT
	5013 799AA	4		H					
		4		M					
		4		P					
-10									BULB, Headlamp, 9006XS
	L0009 006XS	1		H, M					
		1		P, X					
		1		P, S					
-11									BULB, Headlamp
	L0900 5XSLL	1		H, M					
		1		P, X					
		1		P, S					
-12									BULB, 3157A
	L000 03157A	2		H, M					
		2		P, X					
		2		P, S					
-13									BULB, 194NA

JEEP GRAND CHEROKEE (WJ)

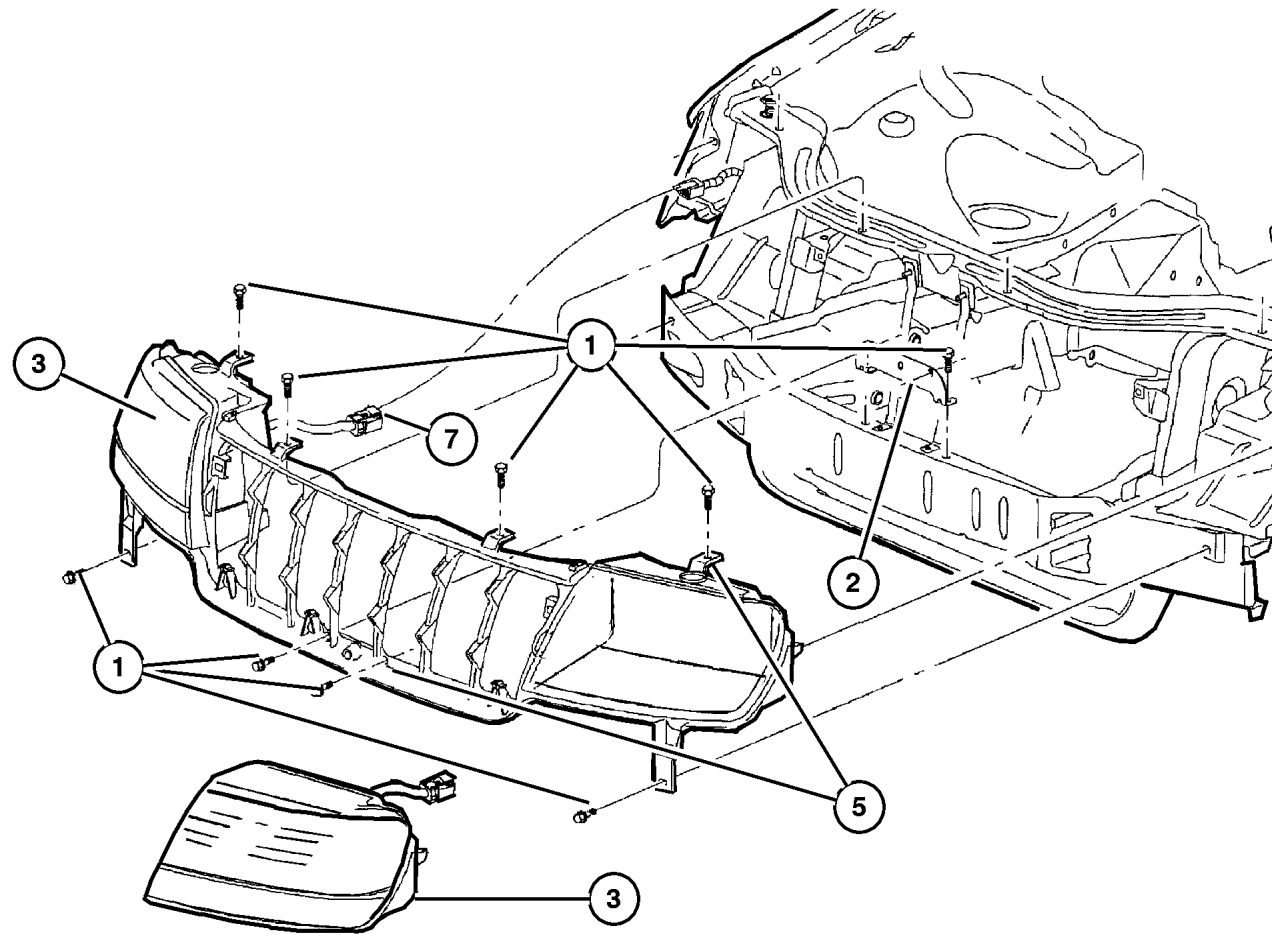
SERIES	LINE	BODY	ENGINE	TRANSMISSION
H = Laredo	J = 4WD	74 = 4 Door	ERH = 4.0L, Power Tech I-6	DGK = 4 Speed Auto, 42RE
M = Sport	T = 2WD		EVA = 4.7L Power Tech V8	DGQ = 5 Speed Auto, 45RFE
P = Limited			EVC = 4.7L HO V8 MPI	DG0 = All Automatic Trans
S = Overland			ER0 = All 4.0L 6 Cyl Gas	
			EVO = All 4.7l Gas	

AR = Use as required - = Non illustrated part # = New this model year

December 1, 2003

Lamp - Front End
Figure 008-1110

ITEM	PART NUMBER	QTY	LINE	SERIES	BODY	ENGINE	TRANS	TRIM	DESCRIPTION
	L001 94NA	1		H, M					
		2		P, X					
		2		P, S					
-14									LAMP, Fog
	#55156 733AB	2		X					
		2		P					
		2		H					
		2		M					
-15	L000 9145	2		X					BULB, Fog Lamp, 50 Watt
-16	6506 579AA	6		X					SCREW, Fog Lamp



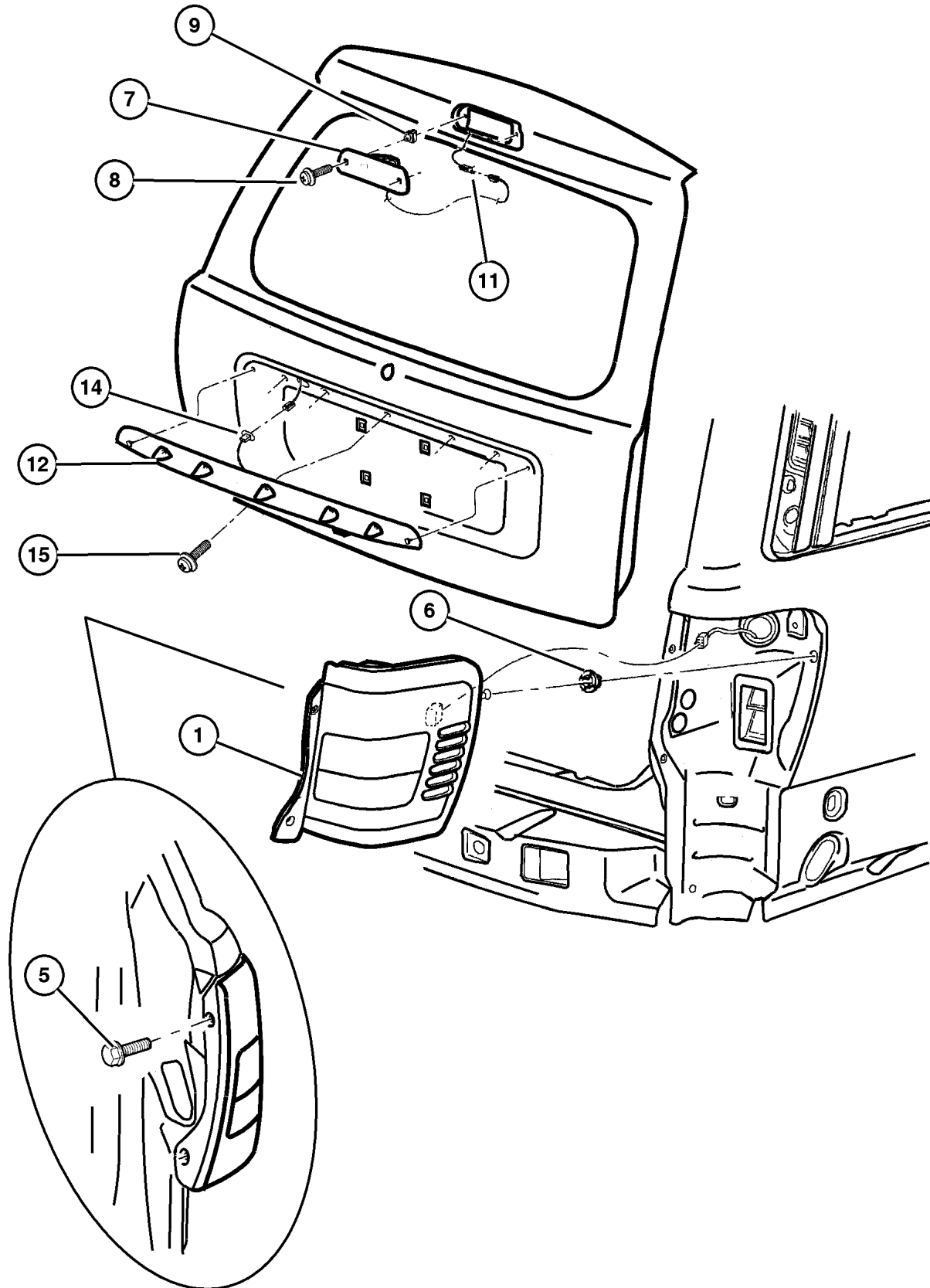
JEEP GRAND CHEROKEE (WJ)

SERIES	LINE	BODY	ENGINE	TRANSMISSION
H = Laredo	J = 4WD	74 = 4 Door	ERH = 4.0L, Power Tech I-6	DGK = 4 Speed Auto, 42RE
M = Sport	T = 2WD		EVA = 4.7L Power Tech V8	DGQ = 5 Speed Auto, 45RFE
P = Limited			EVC = 4.7L HO V8 MPI	DG0 = All Automatic Trans
S = Overland			ER0 = All 4.0L 6 Cyl Gas	
			EVO = All 4.7l Gas	

AR = Use as required - = Non illustrated part # = New this model year

December 1, 2003

Lamp - Rear End
Figure 008-1120



ITEM	PART NUMBER	QTY	LINE	SERIES	BODY	ENGINE	TRANS	TRIM	DESCRIPTION
1									LAMP, Tail Stop Turn
	55155 138AI	1							Right
	55155 139AH	1							Left
-2									GAP HIDER, Lamp
	55156 844AA	1							Right
	55156 845AA	1							Left
-3	L000 3157	3							BULB, 3157
-4	4676 589	3							SOCKET, Board
5									SCREW, .190-16 X .750, (NOT SERVICED) (Not Serviced)
6	6505 386AA	2							NUT, Plastic
7	55155 140AB	1							LAMP, High Mounted Stop
8	6036 163AA	2							SCREW, .19-16x1.00
9	6505 703AA	2							NUT, Plastic Snap-in
-10	L000 921E	1							BULB, 921
11	56042 544AB	1							WIRING, High Mounted Stop Lamp
12									HOUSING, Lamp
	5012 553AB	1			H, M				
	5012 554AA	1			P				
		1	J		X				
		1	J		S				
-13									LAMP, License
	5012 548AA	2			H, M				
		1			P				
		1	J		X				
		2	J		S				
14									WIRING, License Lamp
	56042 545AD	1			H, M				
		1			P				
		1	J		X				
	56042 545AE	1	J		S				
15	6506 997AA	5							SCREW, License Plate Lamp
-16									SWITCH, Flipper Window
	56042 450AB	1			H, M				
		1			P				
		1	J		X				
		1	J		S				
-17									BULB, 168
	L000 0168	2			H, M				
		2			P				
		2	J		X				

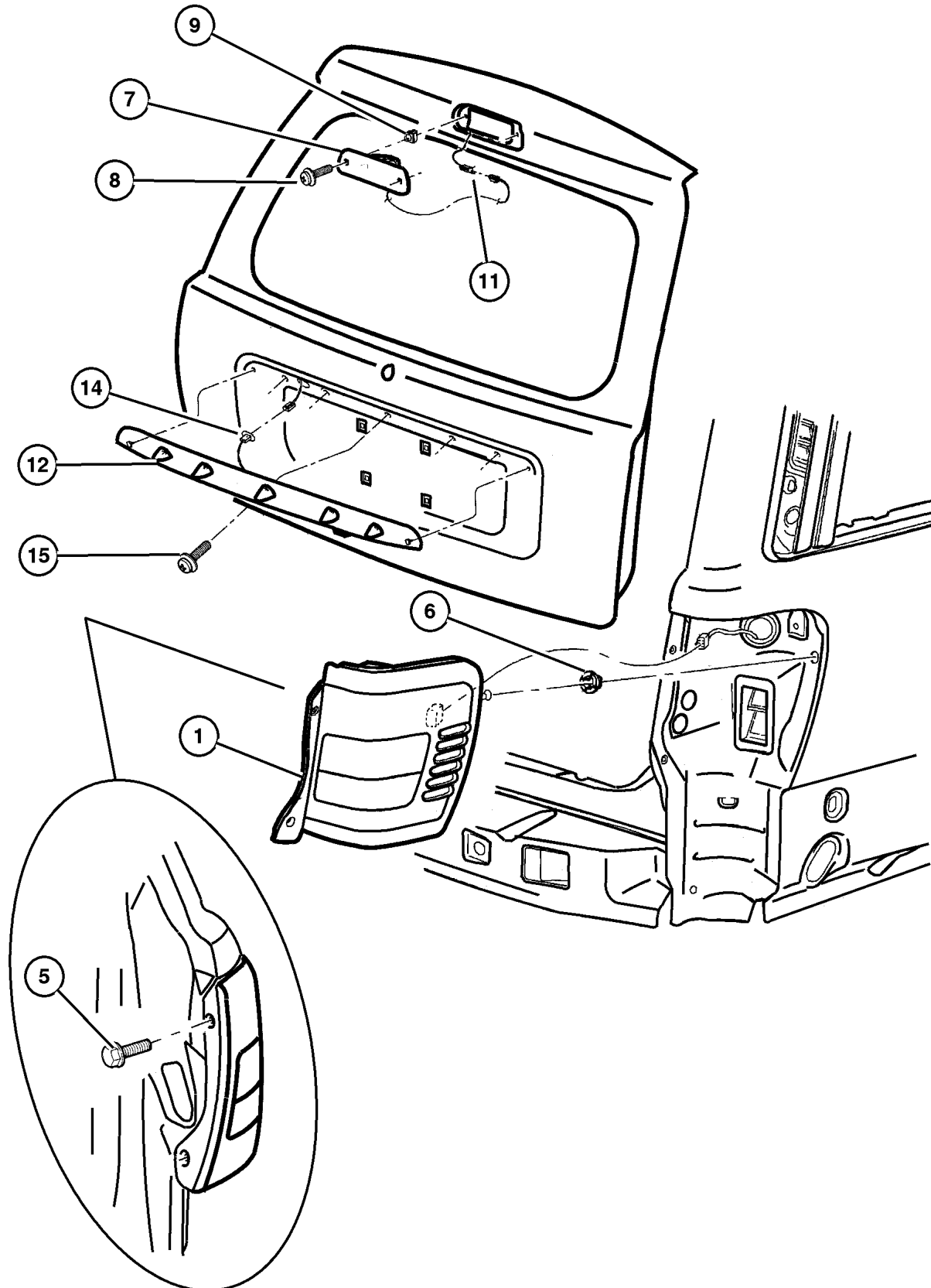
JEEP GRAND CHEROKEE (WJ)

SERIES	LINE	BODY	ENGINE	TRANSMISSION
H = Laredo	J = 4WD	74 = 4 Door	ERH = 4.0L, Power Tech I-6	DGK = 4 Speed Auto, 42RE
M = Sport	T = 2WD		EVA = 4.7L Power Tech V8	DGQ = 5 Speed Auto, 45RFE
P = Limited			EVC = 4.7L HO V8 MPI	DG0 = All Automatic Trans
S = Overland			ER0 = All 4.0L 6 Cyl Gas	
			EVO = All 4.7L Gas	

AR = Use as required - = Non illustrated part # = New this model year

December 1, 2003

Lamp - Rear End
Figure 008-1120



ITEM	PART NUMBER	QTY	LINE	SERIES	BODY	ENGINE	TRANS	TRIM	DESCRIPTION
------	-------------	-----	------	--------	------	--------	-------	------	-------------

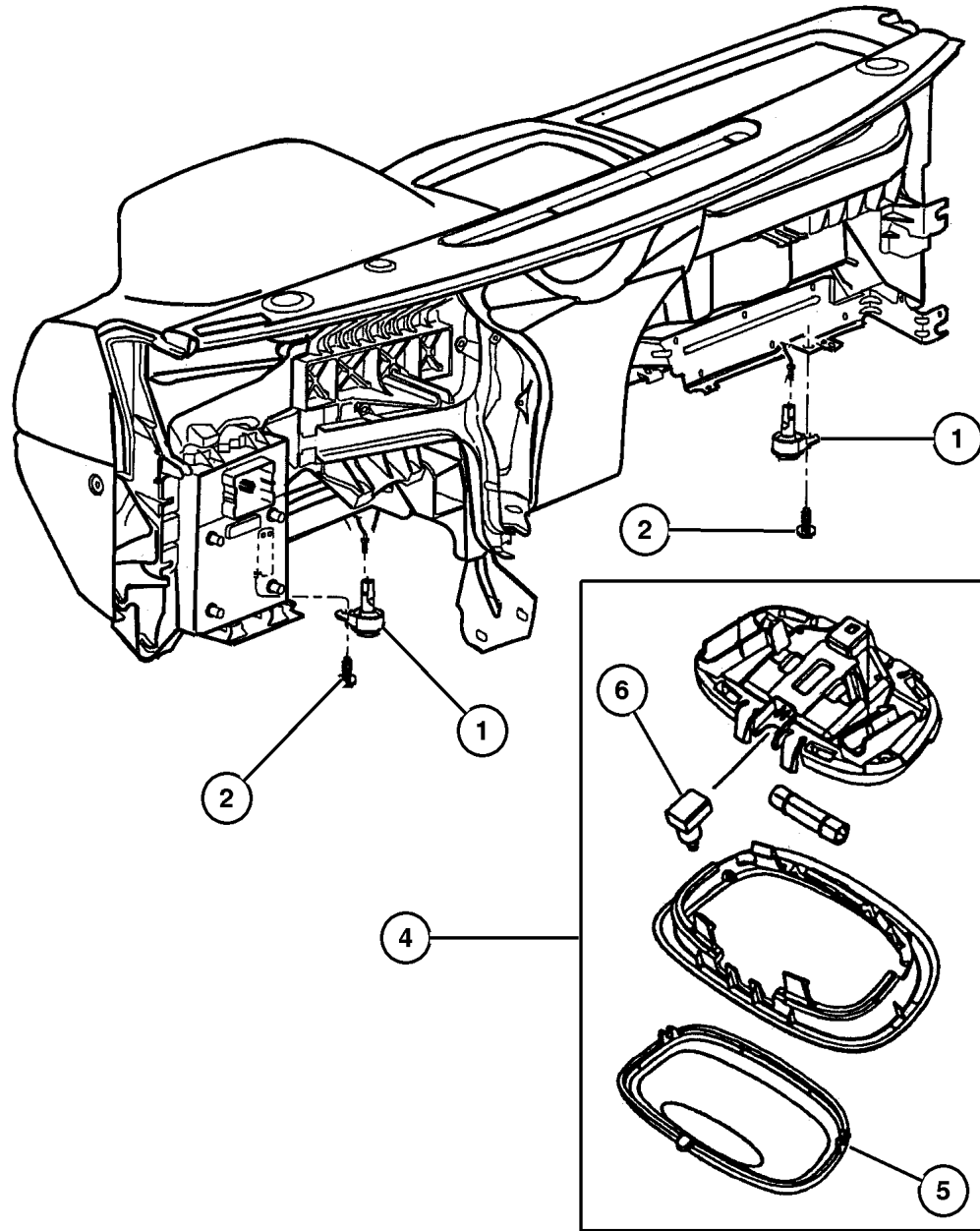
2 J S

JEEP GRAND CHEROKEE (WJ)				
SERIES	LINE	BODY	ENGINE	TRANSMISSION
H = Laredo	J = 4WD	74 = 4 Door	ERH = 4.0L, Power Tech I-6	DGK = 4 Speed Auto, 42RE
M = Sport	T = 2WD		EVA = 4.7L Power Tech V8	DGQ = 5 Speed Auto, 45RFE
P = Limited			EVC = 4.7L HO V8 MPI	DG0 = All Automatic Trans
S = Overland			ER0 = All 4.0L 6 Cyl Gas	
			EVO = All 4.7l Gas	

AR = Use as required - = Non illustrated part # = New this model year

December 1, 2003

Lamp - Courtesy - Dome - Reading
Figure 008-1130



ITEM	PART NUMBER	QTY	LINE	SERIES	BODY	ENGINE	TRANS	TRIM	DESCRIPTION
1	56042 559AA	2							LAMP, Courtesy, I/Panel Lower
2	6101 946	3							SCREW, Tapping
-3	4778 794	2							LENS, Illuminated Visor
4									LAMP, Cargo
	5FT1 0TL2	1							[DV] [L5] [T5]
	5FT1 0XDB	1							[DB]
5	55196 755AA	1							LENS, Cargo Lamp
6	55196 759AA	1							LENS, Lamp Module, Grab Handle
-7	4685 445	1							SWITCH, Reading Lamp
-8	4437 661	2							LAMP, Message Center
-9									LENS, Lamp Module
	55196 759AA	1							Left
	55196 760AA	1							Right

JEEP GRAND CHEROKEE (WJ)

SERIES	LINE	BODY	ENGINE	TRANSMISSION
H = Laredo	J = 4WD	74 = 4 Door	ERH = 4.0L, Power Tech I-6	DGK = 4 Speed Auto, 42RE
M = Sport	T = 2WD		EVA = 4.7L Power Tech V8	DGQ = 5 Speed Auto, 45RFE
P = Limited			EVC = 4.7L HO V8 MPI	DG0 = All Automatic Trans
S = Overland			ER0 = All 4.0L 6 Cyl Gas	
			EVO = All 4.7l Gas	

AR = Use as required - = Non illustrated part # = New this model year

December 1, 2003

Bulbs
Figure 008-1140

ITEM	PART NUMBER	QTY	LINE	SERIES	BODY	ENGINE	TRANS	TRIM	DESCRIPTION
Notes:									
ERO=4.0L Engine									
EVA=4.7L Power Tech Engine V8									
1	L000 3157	3							BULB, 3157, Tail/Stop/Turn Lamp
-2	L000 921E	1							BULB, 921, High Mounted Stop Lamp
-3	L0009 006XS	1		H, M					BULB, Headlamp, 9006XS
		1		P, X					
		1		P, S					
-4	L0900 5XSLL	1		H, M					BULB, Headlamp
		1		P, X					
		1		P, S					
-5	L000 0906	2							BULB, 906, Under Dash Courtesy Lamp
-6	L000 0192	2							BULB, 192, Console Dome Reading Lamp
-7	L000 PC74	12		P, S, X		ERO, EVA, EVC			BULB, PC74 Instrument Panel Cluster
		12		H, M		ERO, EVA			
-8	L000 0194	1							BULB, 194, Switch / Lamp, Glovebox
-9	L002 1202	1							BULB, 212-2, Rear Cargo Overhead Lamp
-10	L002 1402	1							BULB, 21402, Roof Grab Handle / Passenger Assist Dome / Reading Roof Mounted Rear Right
-11	5013 123AA	1							BULB, Heater and A/C Control
-12	6501 966	2							BULB, Sunvisor



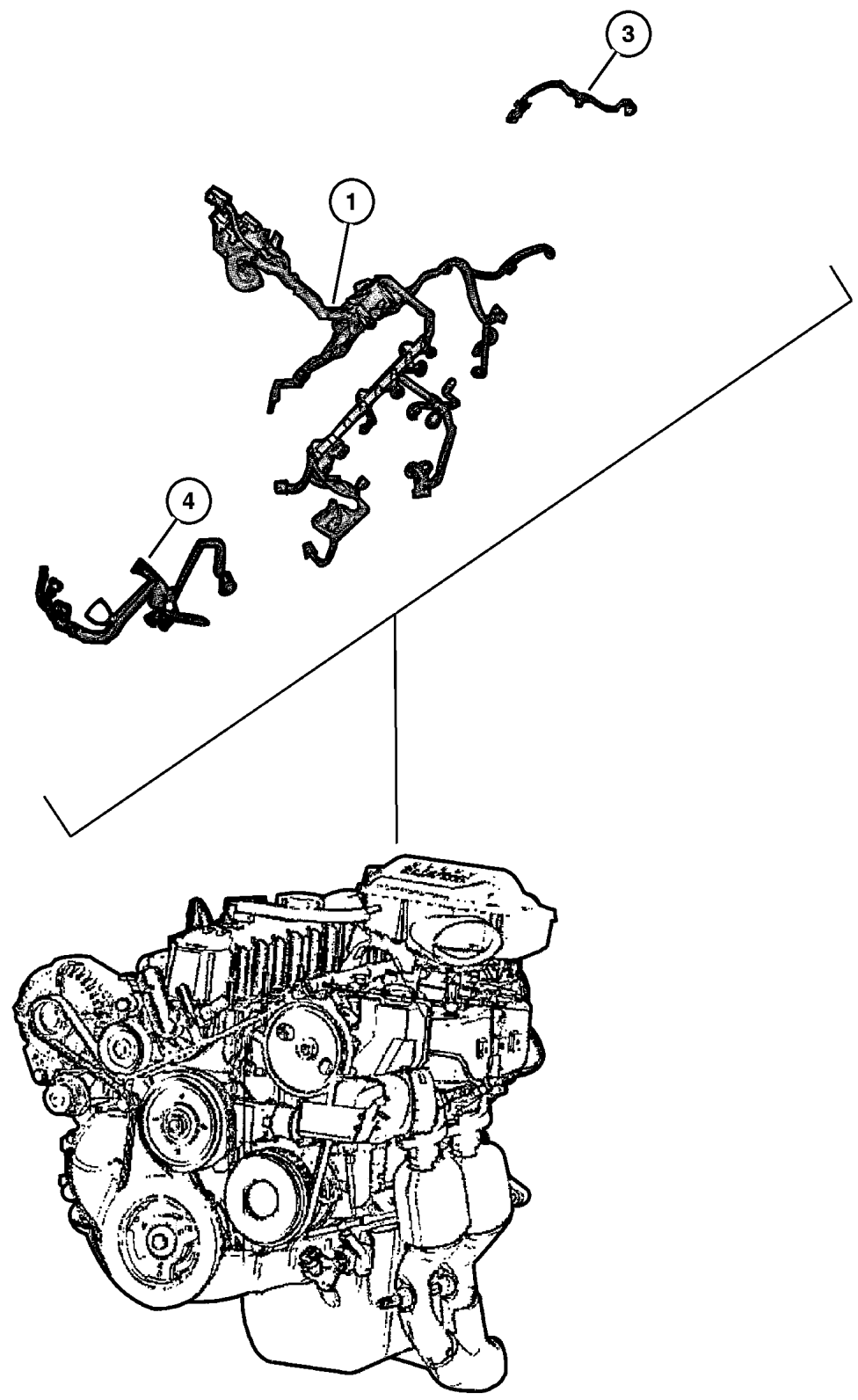
JEEP GRAND CHEROKEE (WJ)

SERIES	LINE	BODY	ENGINE	TRANSMISSION
H = Laredo	J = 4WD	74 = 4 Door	ERH = 4.0L, Power Tech I-6	DGK = 4 Speed Auto, 42RE
M = Sport	T = 2WD		EVA = 4.7L Power Tech V8	DGQ = 5 Speed Auto, 45RFE
P = Limited			EVC = 4.7L HO V8 MPI	DG0 = All Automatic Trans
S = Overland			ERO = All 4.0L 6 Cyl Gas	
			EVO = All 4.7L Gas	

AR = Use as required - = Non illustrated part # = New this model year

December 1, 2003

**Wiring - Engine and Related Items 4.0L Engine
Figure 008-1210**

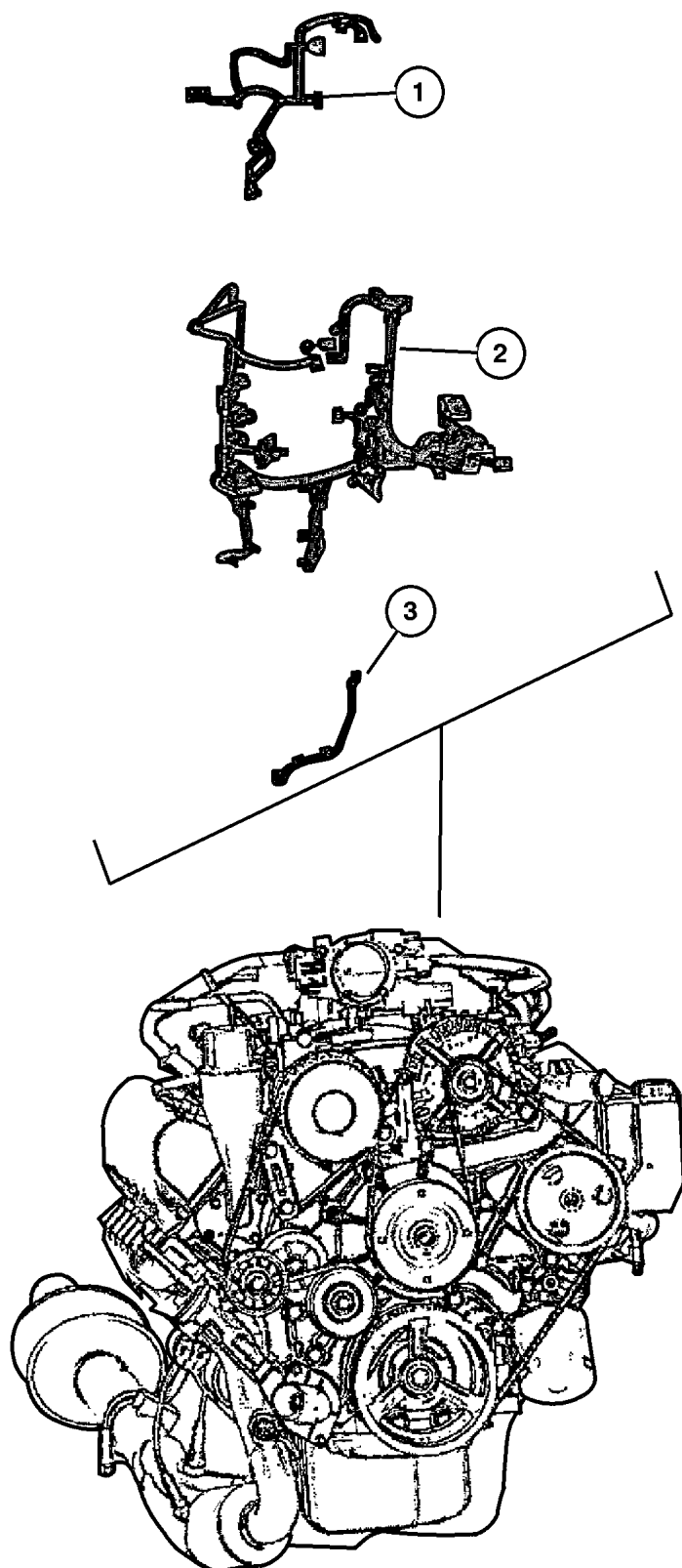


ITEM	PART NUMBER	QTY	LINE	SERIES	BODY	ENGINE	TRANS	TRIM	DESCRIPTION
Notes:									
[DHF]=Quadra Trac II on Demand 4WD									
[DHP]=Selec Trac Full Time 4WD									
[DHQ]=Quadra Trac II on Demand 4WD									
[DHZ]=Single Mode 4WD (Transfer Case)									
[ER0]=4.0L Engine									
[EV0]=4.7L Engine									
[EVA]=4.7L Engine Magnum (Next Generation)									
[EVC]=4.7L Power Tech HO V8									
[DG0]=Automatic Transmission									
1									WIRING, Injector
	56044 371AB	1	T			EVA	DG0		
		1	J			EVA	DG0		[DHF] = [DHQ]
	56044 373AC	1				EVC	DG0		
	#56050 469AC	1	T			ER0	DG0		
	#56050 470AC	1	J			ER0	DG0		
-2	5600 8876	1							STRAP, Tie
3									WIRING, Transfer Case Jumper, Serviced in Injector Harness, (NOT SERVICED) (Not Serviced)
4	#56050 276AC	1				ER0			WIRING, Alternator and Battery

JEEP GRAND CHEROKEE (WJ)				
SERIES	LINE	BODY	ENGINE	TRANSMISSION
H = Laredo	J = 4WD	74 = 4 Door	ERH = 4.0L, Power Tech I-6	DGK = 4 Speed Auto, 42RE
M = Sport	T = 2WD		EVA = 4.7L Power Tech V8	DGQ = 5 Speed Auto, 45RFE
P = Limited			EVC = 4.7L HO V8 MPI	DG0 = All Automatic Trans
S = Overland			ER0 = All 4.0L 6 Cyl Gas	
			EV0 = All 4.7L Gas	

AR = Use as required - = Non illustrated part # = New this model year December 1, 2003

**Wiring - Engine and Related Items 4.7L Engine
Figure 008-1220**



ITEM	PART NUMBER	QTY	LINE	SERIES	BODY	ENGINE	TRANS	TRIM	DESCRIPTION
Notes:									
[EVA]=4.7L Power Tech Engine									
[EVC]=4.7L Power Tech HO V-8									
[EV0]=4.7L Engine									
[DG0]=Automatic Transmission									
1	#56050 277AD	1				EV0			WIRING, Alternator and Battery
2	56044 371AB	1	T			EVA	DG0		WIRING, Injector
		1	J			EVA	DG0		[DHF, DHQ]
3	56044 373AB	1				EVC	DG0		WIRING, Transfer Case Jumper, Serviced in Injector Harness, (NOT SERVICED) (Not Serviced)
-4	52080 135AA	1				EV0			HARNES, Jumper, Hydraulic (Engine Cooling)
-5	5600 8876	1							STRAP, Tie
-6	J369 3058	1				EV0			STRAP, Retaining, Injector Harness To Trans Filler Tube
-7	5300 8550	1	T				DGQ		CLIP, Transmission Wiring

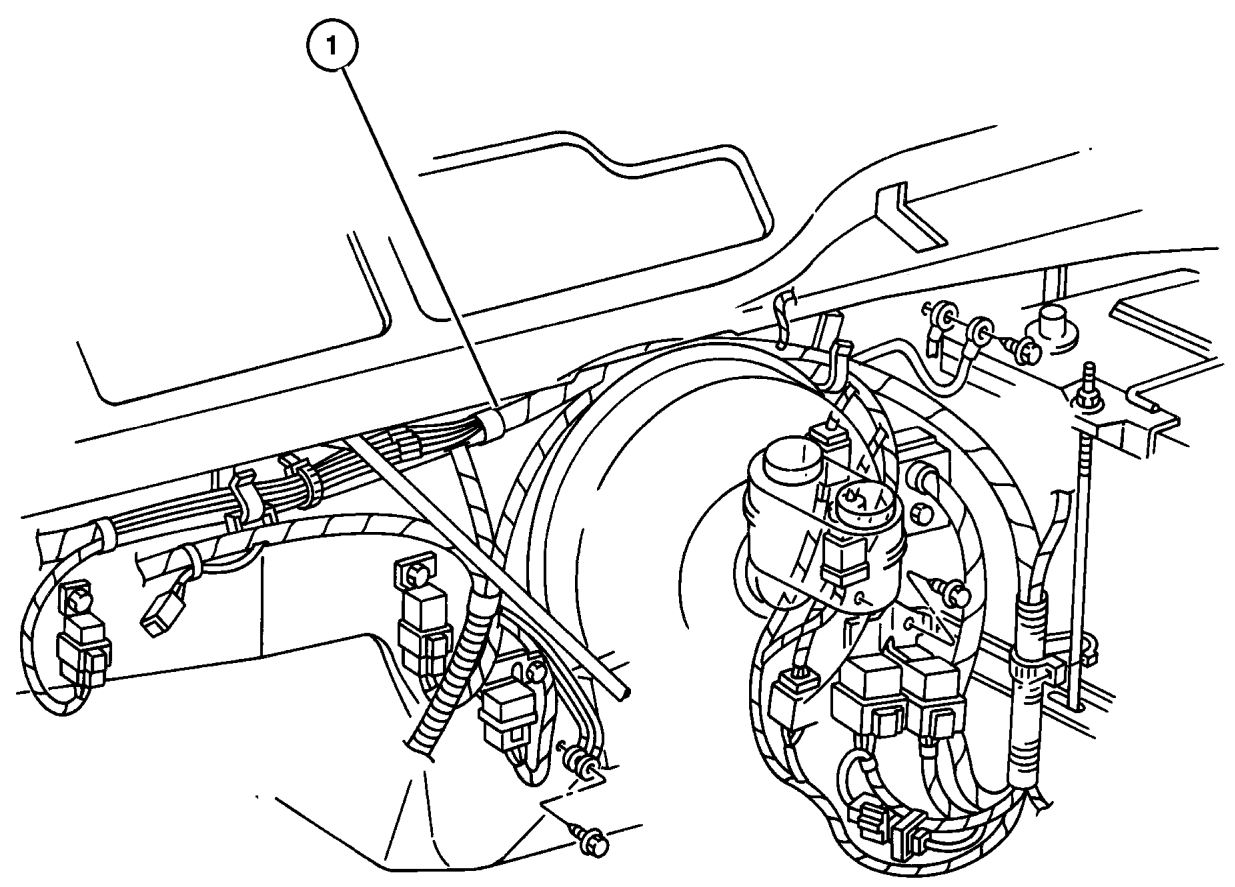
JEEP GRAND CHEROKEE (WJ)				
SERIES	LINE	BODY	ENGINE	TRANSMISSION
H = Laredo	J = 4WD	74 = 4 Door	ERH = 4.0L, Power Tech I-6	DGK = 4 Speed Auto, 42RE
M = Sport	T = 2WD		EVA = 4.7L Power Tech V8	DGQ = 5 Speed Auto, 45RFE
P = Limited			EVC = 4.7L HO V8 MPI	DG0 = All Automatic Trans
S = Overland			ER0 = All 4.0L 6 Cyl Gas	
			EV0 = All 4.7l Gas	

**Wiring - Headlamp / Dash
Figure 008-1310**

ITEM	PART NUMBER	QTY	LINE	SERIES	BODY	ENGINE	TRANS	TRIM	DESCRIPTION
------	-------------	-----	------	--------	------	--------	-------	------	-------------

Notes:
 [ER0]=4.0L Engine
 [EV0]=4.7L Engine
 [EVA]=4.7L Power Tech Engine V8
 [EVC]=4.7L Power Tech HO Engine V8

1									WIRING, Headlamp to Dash
	#56050 456AA	1				ER0			With Foglamps, Right
	#56050 458AA	1				ER0			Without Foglamps, Right
	#56042 958AI	1				ER0,			With Foglamps, Left
						EVO			
	#56050 240AE	1				ER0,			Left
						EVO			
	#56050 700AA	1				EVA			With Foglamps, Right
	#56050 702AA	1				EVA			Without Foglamps, Right
	#56050 704AA	1				EVC			Right

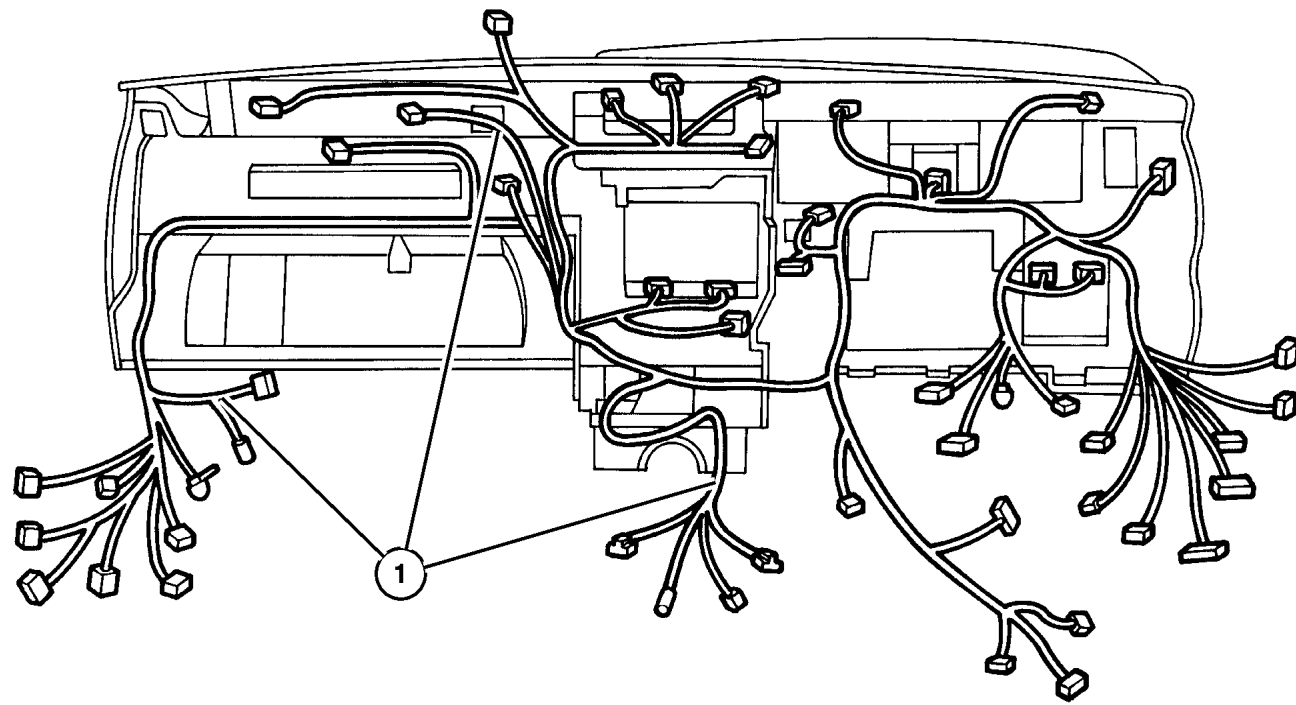


JEEP GRAND CHEROKEE (WJ)				
SERIES	LINE	BODY	ENGINE	TRANSMISSION
H = Laredo	J = 4WD	74 = 4 Door	ERH = 4.0L, Power Tech I-6	DGK = 4 Speed Auto, 42RE
M = Sport	T = 2WD		EVA = 4.7L Power Tech V8	DGQ = 5 Speed Auto, 45RFE
P = Limited			EVC = 4.7L HO V8 MPI	DG0 = All Automatic Trans
S = Overland			ER0 = All 4.0L 6 Cyl Gas	
			EVO = All 4.7L Gas	

AR = Use as required - = Non illustrated part # = New this model year

Wiring - Instrument Panel
Figure 008-1410

ITEM	PART NUMBER	QTY	LINE	SERIES	BODY	ENGINE	TRANS	TRIM	DESCRIPTION
1									WIRING, Instrument Panel
	#56050 808AA	1							With Air Condition, 6 or 10 Way Power Seats, 10 Disc Remote CD Changer & with or without Heated Seats
	#56050 809AA	1							With Automatic Headlamp, Air Condition with Automatic Dual Temperature Control & 6 or 10 Way Power Seats, 10 Disc Remote CD Changer & with or without Heated Seats
	#56050 814AA	1							With Air Condition & without 10 Disc Remote CD Changer
	#56050 815AA	1							With Automatic Headlamp, Air Condition with Automatic Dual Temperature Control & without 10 Disc Remote CD Changer
	#56050 816AA	1							With Air Condition with Automatic Dual Temperature Control, 10 Disc Remote CD Changer & without Heated Seats, 6 or 10
	#56050 817AA	1							Way Power Seats With Air Condition with Automatic Dual Temperature Control, 10 Disc Remote CD Changer & without Heated Seats, 6 or 10
	#56050 818AA	1							Way Power Seats With Air Condition, 10 Disc Remote CD Changer & without Heated
	#56050 819AA	1							Seats, 6 or 10 Way Power Seats With Air Condition with Automatic Dual Temperature Control, without 10 Disc Remote CD
									Changer, Heated Seats, 6 or 10
									Way Power Seats



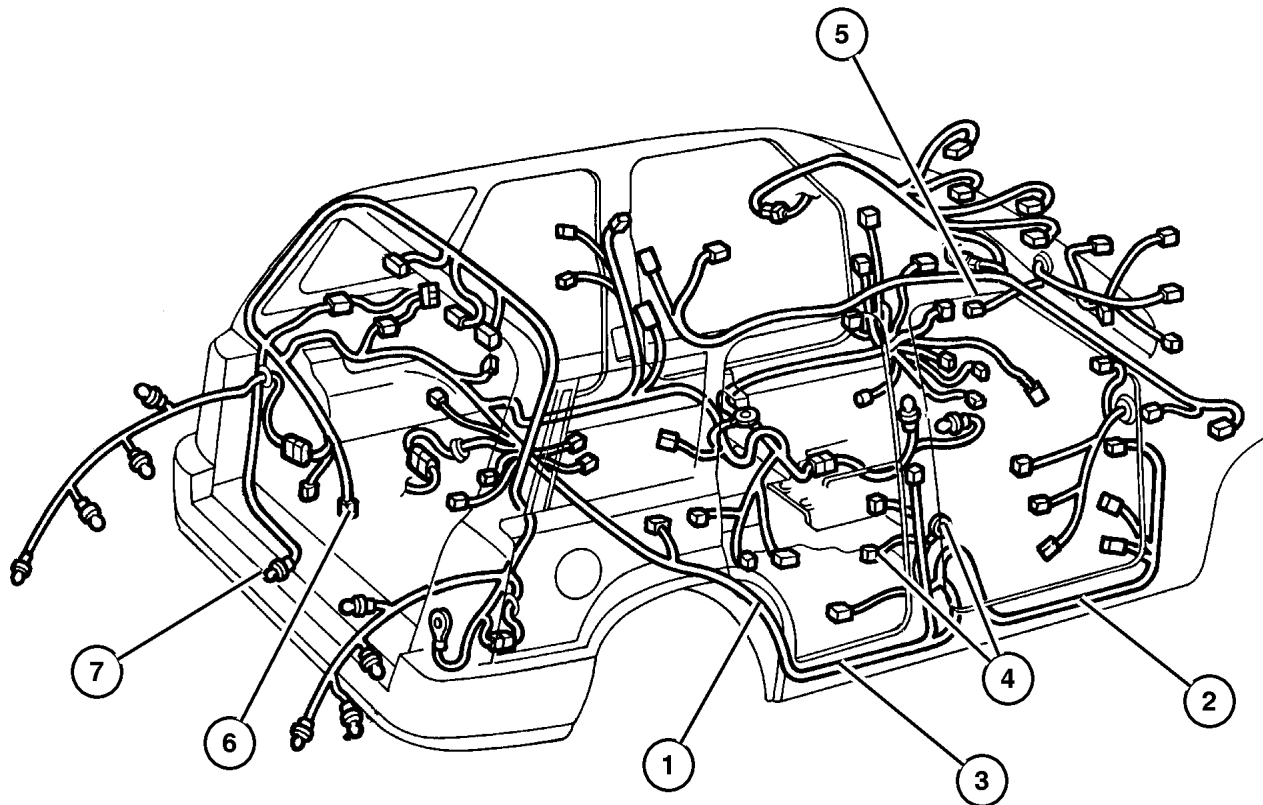
JEEP GRAND CHEROKEE (WJ)

SERIES	LINE	BODY	ENGINE	TRANSMISSION
H = Laredo	J = 4WD	74 = 4 Door	ERH = 4.0L, Power Tech I-6	DGK = 4 Speed Auto, 42RE
M = Sport	T = 2WD		EVA = 4.7L Power Tech V8	DGQ = 5 Speed Auto, 45RFE
P = Limited			EVC = 4.7L HO V8 MPI	DG0 = All Automatic Trans
S = Overland			ER0 = All 4.0L 6 Cyl Gas	
			EVO = All 4.7l Gas	

AR = Use as required - = Non illustrated part # = New this model year

December 1, 2003

Wiring - Body & Accessories
Figure 008-1510



ITEM	PART NUMBER	QTY	LINE	SERIES	BODY	ENGINE	TRANS	TRIM	DESCRIPTION
1									WIRING, Body
	#56050 600AA	1							With 10 Disc Remote CD Changer & with Side Supplemental Airbags
	#56050 608AA	1							With Side Supplemental Airbags, 6 Way Power Driver Seat, without Power Auxiliary 12V Outlet, Infinity System & without 10 Disc Remote CD Changer
	#56050 610AA	1							With Side Supplemental Airbags, 8 Way Power Seats & with or without 6 or 10 Way Power Heated Seats, Memory, Infinity 7
	#56050 612AA	1							Speaker System & without 10 Disc Remote CD Changer
	#56050 614AA	1							With 10 Disc Remote CD Changer without Side Supplemental Airbags
	#56050 616AA	1							With 8 Way Power Driver/ Passenger Seat, Without or without Side Airbags, 6 or 10 Way Power Heated Seats, Memory, Power Auxiliary 12V Outlet, Infinity System & without 10 Disc Remote CD Changer
	#56050 616AA	1							With 6 Way Power Driver Seat, without Power Auxiliary 12V Outlet, Infinity System, 10 Disc Remote CD Changer & without Side Supplemental Airbags
2									WIRING, Front Door
	56042 220AG	1							(Passenger Side), Passenger Side
	56042 219AG	1							with Security Alarm, Driver Side
	56042 221AG	1							without Security Alarm, Driver Side
3	56042 538AI	2							WIRING, Rear Door
4									WIRING, Door Jumper
	56042 526AE	1			S				Right Front Door
	56042 525AE	1			P				Left Front Door
		1			S				Left Front Door
	56042 526AE	1			P				Right Front Door
	5271 294AA	1							With Security Alarm, Left Front Door

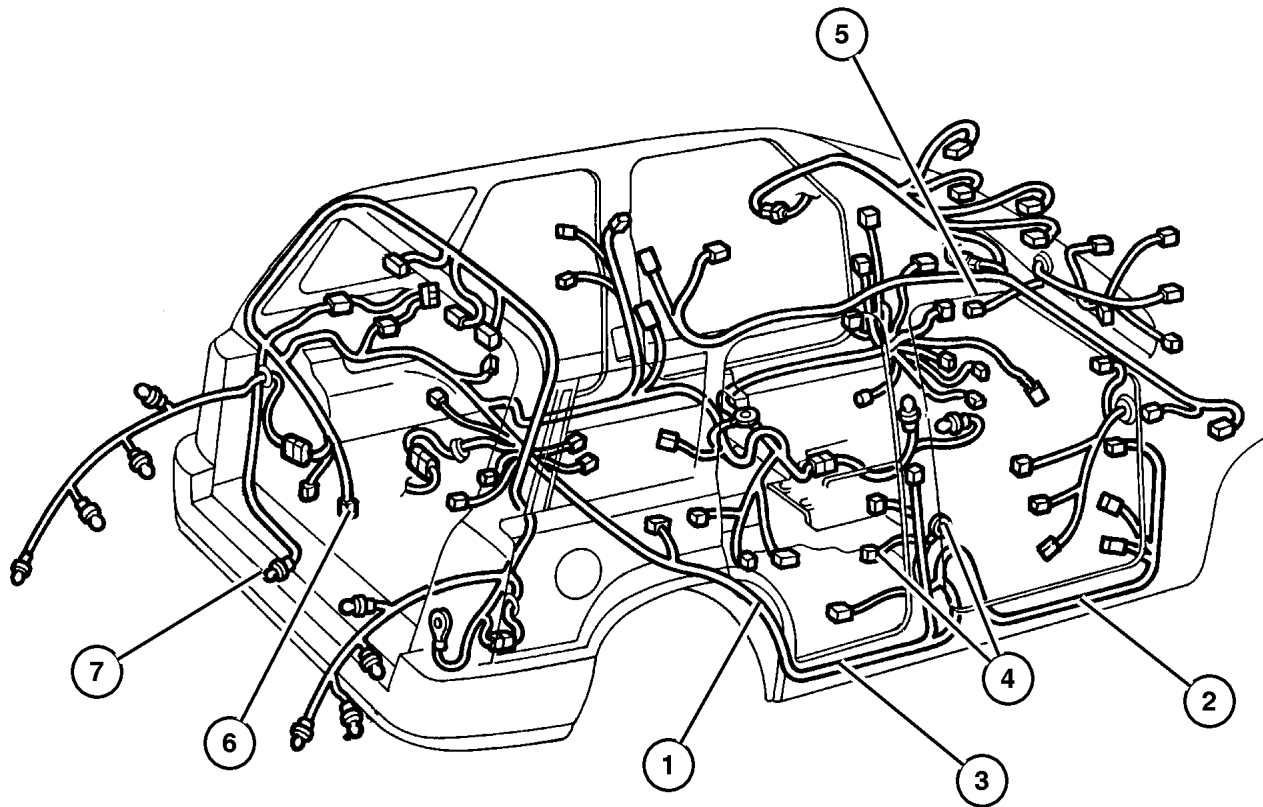
JEEP GRAND CHEROKEE (WJ)

SERIES	LINE	BODY	ENGINE	TRANSMISSION
H = Laredo	J = 4WD	74 = 4 Door	ERH = 4.0L, Power Tech I-6	DGK = 4 Speed Auto, 42RE
M = Sport	T = 2WD		EVA = 4.7L Power Tech V8	DGQ = 5 Speed Auto, 45RFE
P = Limited			EVC = 4.7L HO V8 MPI	DG0 = All Automatic Trans
S = Overland			ER0 = All 4.0L 6 Cyl Gas	
			EVO = All 4.7L Gas	

AR = Use as required - = Non illustrated part # = New this model year

December 1, 2003

Wiring - Body & Accessories
Figure 008-1510



ITEM	PART NUMBER	QTY	LINE	SERIES	BODY	ENGINE	TRANS	TRIM	DESCRIPTION
5									WIRING, Steering Wheel
	56042 934AA	1							With Leather Wrap Steering Wheel
	56042 937AA	1							Without Leather Wrap Steering Wheel
6	56042 800AD	1							WIRING, Liftgate
7	56042 239AJ	1							WIRING, Trailer Tow
-8	56038 366AB	1							CONNECTOR, 7 Way
-9	5601 9823	1							ADAPTER, Trailer Tow
-10	8220 3600	1							COVER KIT, Trailer Tow
-11	55196 754AA	1							WIRING, Overhead Lighting
-12	4793 554AB	1							POWER OUTLET
-13	4685 591	1							CAP, Cigar Lighter, Quarter Trim Panel
-14									WIRING, Seat
	5015 747AA	1							[JRF] With Power 10 Way Power Driver Seat with Memory & 6 Way Passenger Seat, Right
	5083 906AA	1							[JTG] With Power 6 Way Power, Heated Seats, Right
	5083 907AA	1							[JTG] With Power 6 Way Power, Heated Seats, Left
	5083 027AA	1							[JRF] With Power 10 Way Power Driver Seat with Memory & 6 Way Passenger Seat, Left
	5015 747AA	1							[JPT] With Power Driver & Passenger Seat, Right
	5017 929AA	1							[JTF] With Power 10 Way Heated Seat, Right
	5083 025AA	1							[JPS] With 6 Way Power Driver Seat, Left
		1							[JPT] With Power Driver & Passenger Seat, Left
	5083 029AA	1							[JRH] With Power 10 Way Power, Heated Driver Seat with Memory & 6 Way Passenger Seat, Left
		1							[JTF] With Power 10 Way Heated Seat, Left
	5083 906AA	1							[JRH] With Power 10 Way Power, Heated Driver Seat with Memory & 6 Way Passenger Seat, Right
-15	55196 753AA	2							WIRING, Overhead Lighting, Assist Handles

JEEP GRAND CHEROKEE (WJ)

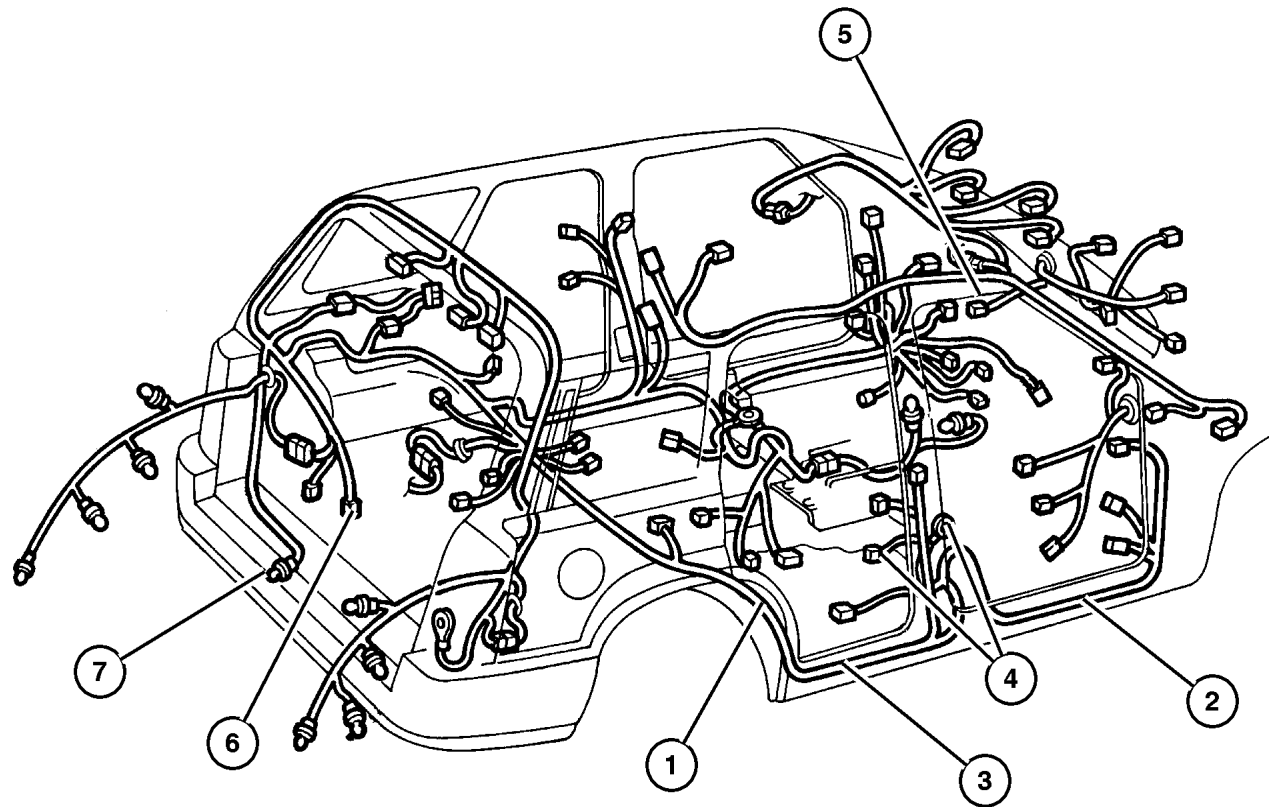
SERIES	LINE	BODY	ENGINE	TRANSMISSION
H = Laredo	J = 4WD	74 = 4 Door	ERH = 4.0L, Power Tech I-6	DGK = 4 Speed Auto, 42RE
M = Sport	T = 2WD		EVA = 4.7L Power Tech V8	DGQ = 5 Speed Auto, 45RFE
P = Limited			EVC = 4.7L HO V8 MPI	DG0 = All Automatic Trans
S = Overland			ER0 = All 4.0L 6 Cyl Gas	
			EVO = All 4.7L Gas	

AR = Use as required - = Non illustrated part # = New this model year

December 1, 2003

Wiring - Body & Accessories
Figure 008-1510

ITEM	PART NUMBER	QTY	LINE	SERIES	BODY	ENGINE	TRANS	TRIM	DESCRIPTION
-16									HARNESS
	5073 040AA	1							Adjustable Brake Pedal
	5102 031AA	1							A/C Sub Harness
-17	5102 056AA	1							HARNESS, Wiring
-18									WIRING, Air Bag Adapter
	#56050 545AA	1							To Airbag Control Module with Side Airbag
	#56050 546AA	1							To Airbag Control Module without Side Airbag
-19	5016 560AA	1							WIRING, Sunroof
-20	52080 135AA	1				EVO			HARNESS, Jumper, Hydraulic (Engine Cooling)



JEEP GRAND CHEROKEE (WJ)

SERIES	LINE	BODY	ENGINE	TRANSMISSION
H = Laredo	J = 4WD	74 = 4 Door	ERH = 4.0L, Power Tech I-6	DGK = 4 Speed Auto, 42RE
M = Sport	T = 2WD		EVA = 4.7L Power Tech V8	DGQ = 5 Speed Auto, 45RFE
P = Limited			EVC = 4.7L HO V8 MPI	DG0 = All Automatic Trans
S = Overland			ER0 = All 4.0L 6 Cyl Gas	
			EVO = All 4.7L Gas	

AR = Use as required - = Non illustrated part # = New this model year

December 1, 2003

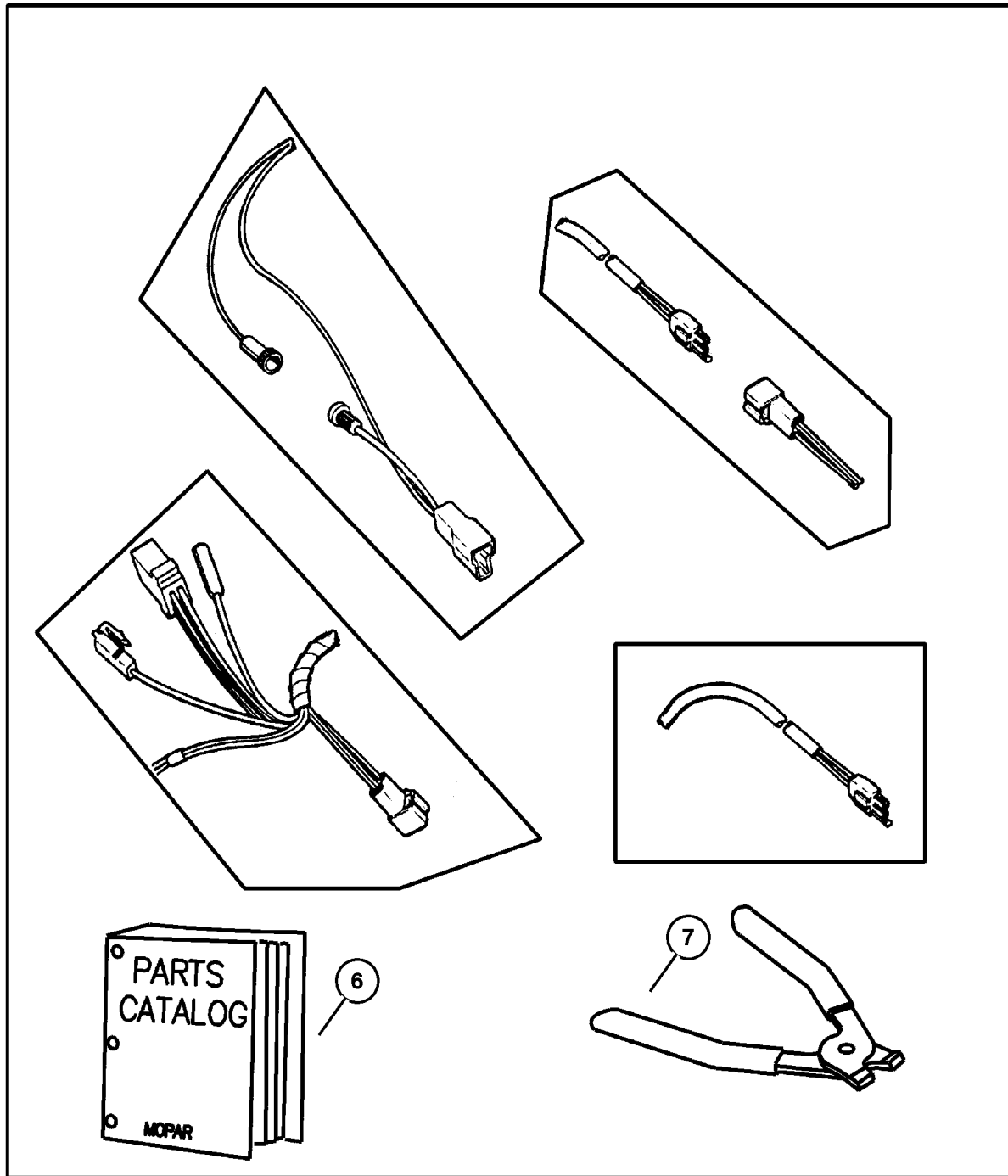
Wiring Repair Packages
Figure 008-1605

ITEM	PART NUMBER	QTY	LINE	SERIES	BODY	ENGINE	TRANS	TRIM	DESCRIPTION
------	-------------	-----	------	--------	------	--------	-------	------	-------------

Notes:

[ER0]=4.0L Engine

1	5013 930AD	1							WIRING PACKAGE, Underhood Connector Repair
-2	4364 392	1				ER0			TUBE, Convolved
-3	5600 8876	1				EVO			STRAP, Tie
	5601 8581	1				ER0			Injector Wiring
-4	5602 1384	1	J				DGQ		CLIP, Wiring
-5	56038 591AB	1				EVO			STRAP, Ground
6	5014 757AD	1							MANUAL, Connector Repair
7	5019 912AA	1							TOOL, Crimping
-8	5073 029AA	1							WIRING KIT, Electric Repair
-9	5083 221AA	1							WIRING KIT, 22 Way, Female



1

JEEP GRAND CHEROKEE (WJ)

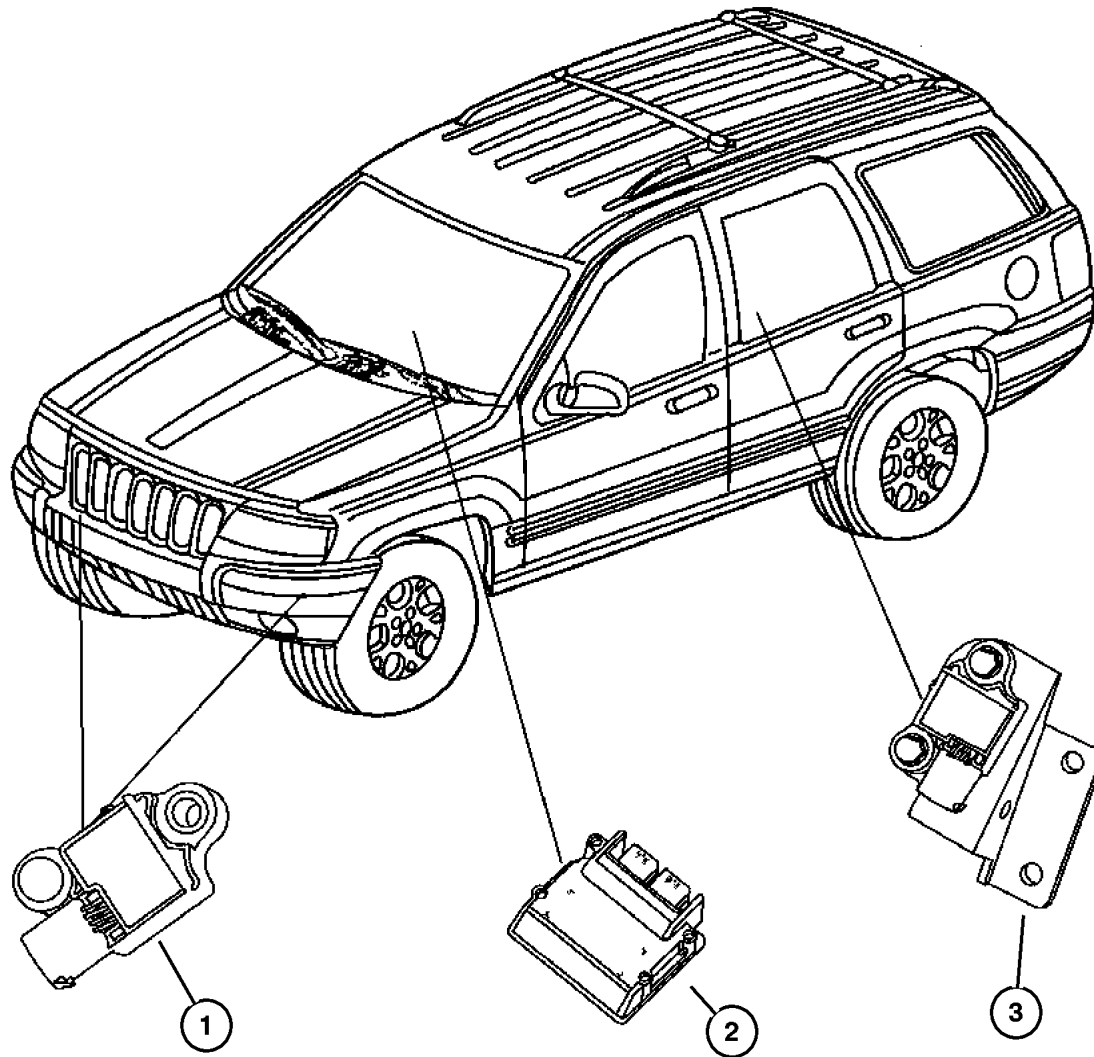
SERIES	LINE	BODY	ENGINE	TRANSMISSION
H = Laredo	J = 4WD	74 = 4 Door	ERH = 4.0L, Power Tech I-6	DGK = 4 Speed Auto, 42RE
M = Sport	T = 2WD		EVA = 4.7L Power Tech V8	DGQ = 5 Speed Auto, 45RFE
P = Limited			EVC = 4.7L HO V8 MPI	DG0 = All Automatic Trans
S = Overland			ER0 = All 4.0L 6 Cyl Gas	
			EVO = All 4.7L Gas	

AR = Use as required - = Non illustrated part # = New this model year

December 1, 2003

Air Bag Modules and Sensors
Figure 008-1705

ITEM	PART NUMBER	QTY	LINE	SERIES	BODY	ENGINE	TRANS	TRIM	DESCRIPTION
1	56010 319AB	1							SENSOR, Air Bag
2	56010 485AG	1							MODULE, Occupant Restraint
3	56010 410AC	1							SENSOR, Air Bag



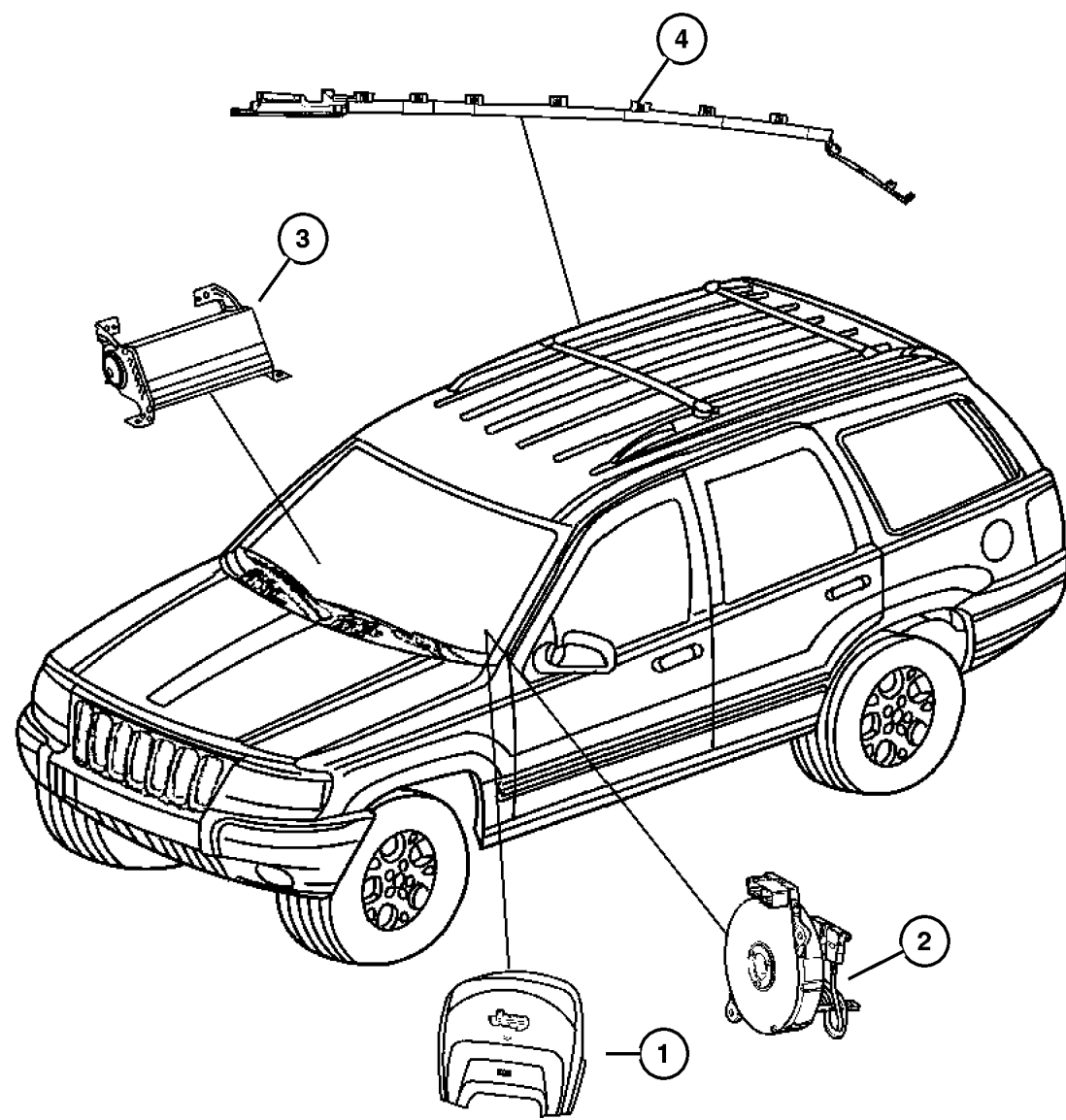
JEEP GRAND CHEROKEE (WJ)

SERIES	LINE	BODY	ENGINE	TRANSMISSION
H = Laredo	J = 4WD	74 = 4 Door	ERH = 4.0L, Power Tech I-6	DGK = 4 Speed Auto, 42RE
M = Sport	T = 2WD		EVA = 4.7L Power Tech V8	DGQ = 5 Speed Auto, 45RFE
P = Limited			EVC = 4.7L HO V8 MPI	DG0 = All Automatic Trans
S = Overland			ER0 = All 4.0L 6 Cyl Gas	
			EVO = All 4.7l Gas	

AR = Use as required - = Non illustrated part # = New this model year

December 1, 2003

**Air Bags and Clock Spring
Figure 008-1710**



ITEM	PART NUMBER	QTY	LINE	SERIES	BODY	ENGINE	TRANS	TRIM	DESCRIPTION
1									AIR BAG, Driver
	5GV61 WL8AC	1		P					
	5GV61 XDVAC	1		H					
		1		M					
		1		S					
2	56042 770AE	1							CLOCKSPRING
3	#55116 438AD	1							AIR BAG, Passenger
4									AIR BAG, Side Curtain
	#55116 436AJ	1							Right
	#55116 437AJ	1							Left

JEEP GRAND CHEROKEE (WJ)

SERIES	LINE	BODY	ENGINE	TRANSMISSION
H = Laredo	J = 4WD	74 = 4 Door	ERH = 4.0L, Power Tech I-6	DGK = 4 Speed Auto, 42RE
M = Sport	T = 2WD		EVA = 4.7L Power Tech V8	DGQ = 5 Speed Auto, 45RFE
P = Limited			EVC = 4.7L HO V8 MPI	DG0 = All Automatic Trans
S = Overland			ER0 = All 4.0L 6 Cyl Gas	
			EVO = All 4.7l Gas	

Spark Plugs - Coils Figure 008-1910

ITEM	PART NUMBER	QTY	LINE	SERIES	BODY	ENGINE	TRANS	TRIM	DESCRIPTION
------	-------------	-----	------	--------	------	--------	-------	------	-------------

Notes:

[ER0]=4.0L Engine
 [ERH]=4.0L Power Tech Engine
 [EV0]=4.7L Engine
 [EVA]=4.7L Power Tech Engine V8
 [EVC]=4.7L Power Tech HO Engine V8
 [DG0]=Automatic Transmission

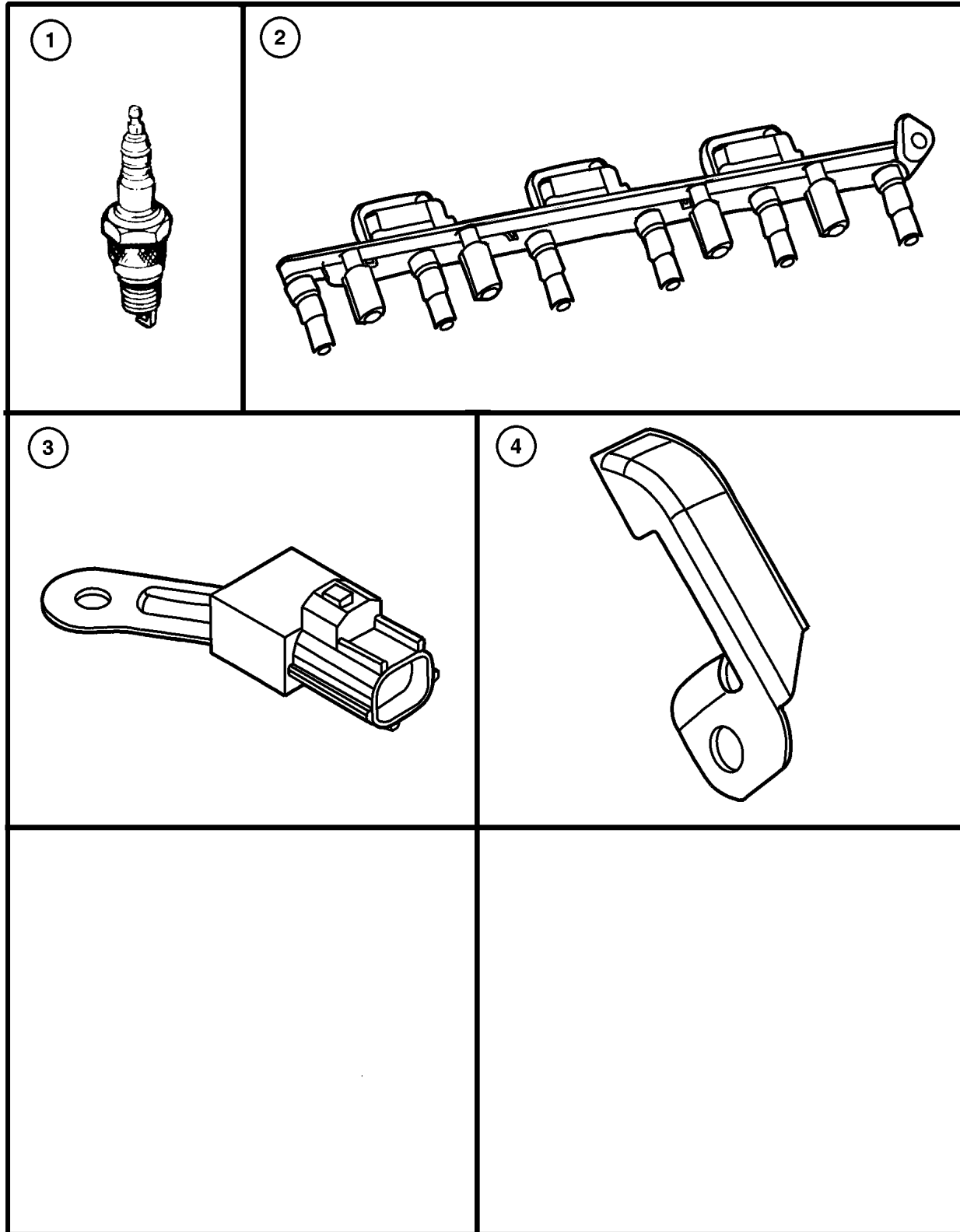
1									SPARK PLUG
	SPRC1 2MCC4	8				EVA			
	SPRC7 PYCB4	8				EVC			
	SP00 0ZFR5N	6				ER0			COIL, Ignition
2									
	56041 476AA	1				ER0			
	56028 138AD	8				EV0			
3	56041 889AA	1				ERH			CAPACITOR, Ignition
4	56041 388AA	1				ER0	DG0		SHIELD, Wiring
-5	6102 146AA	4				ER0			SCREW AND WASHER, Ignition Coil Mounting
-6	3300 4242	1				ER0			CLAMP, Distributor, Ignition Distributor Sensor Hold Down
-7	5072 382AA	8				EV0			O RING, Coil

JEEP GRAND CHEROKEE (WJ)

SERIES	LINE	BODY	ENGINE	TRANSMISSION
H = Laredo	J = 4WD	74 = 4 Door	ERH = 4.0L, Power Tech I-6	DGK = 4 Speed Auto, 42RE
M = Sport	T = 2WD		EVA = 4.7L Power Tech V8	DGQ = 5 Speed Auto, 45RFE
P = Limited			EVC = 4.7L HO V8 MPI	DG0 = All Automatic Trans
S = Overland			ER0 = All 4.0L 6 Cyl Gas	
			EV0 = All 4.7L Gas	

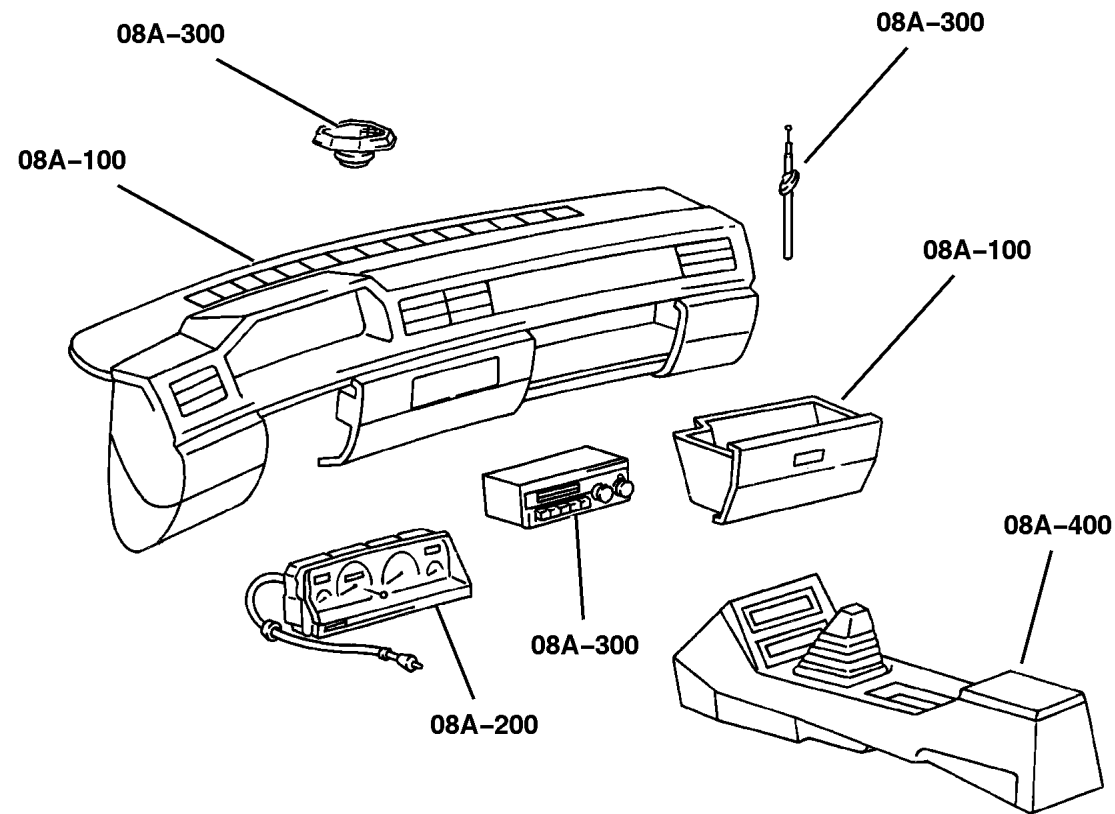
AR = Use as required - = Non illustrated part # = New this model year

December 1, 2003



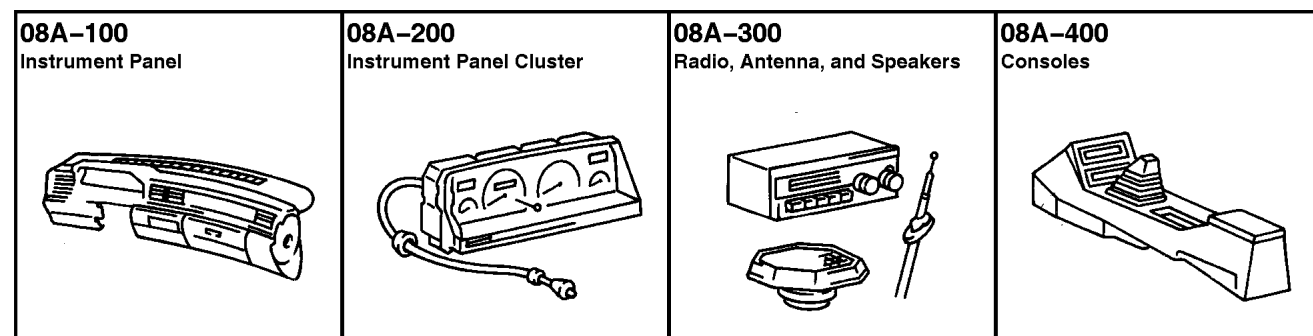
Group – 08A

Instrument Panel and Radios and Consoles

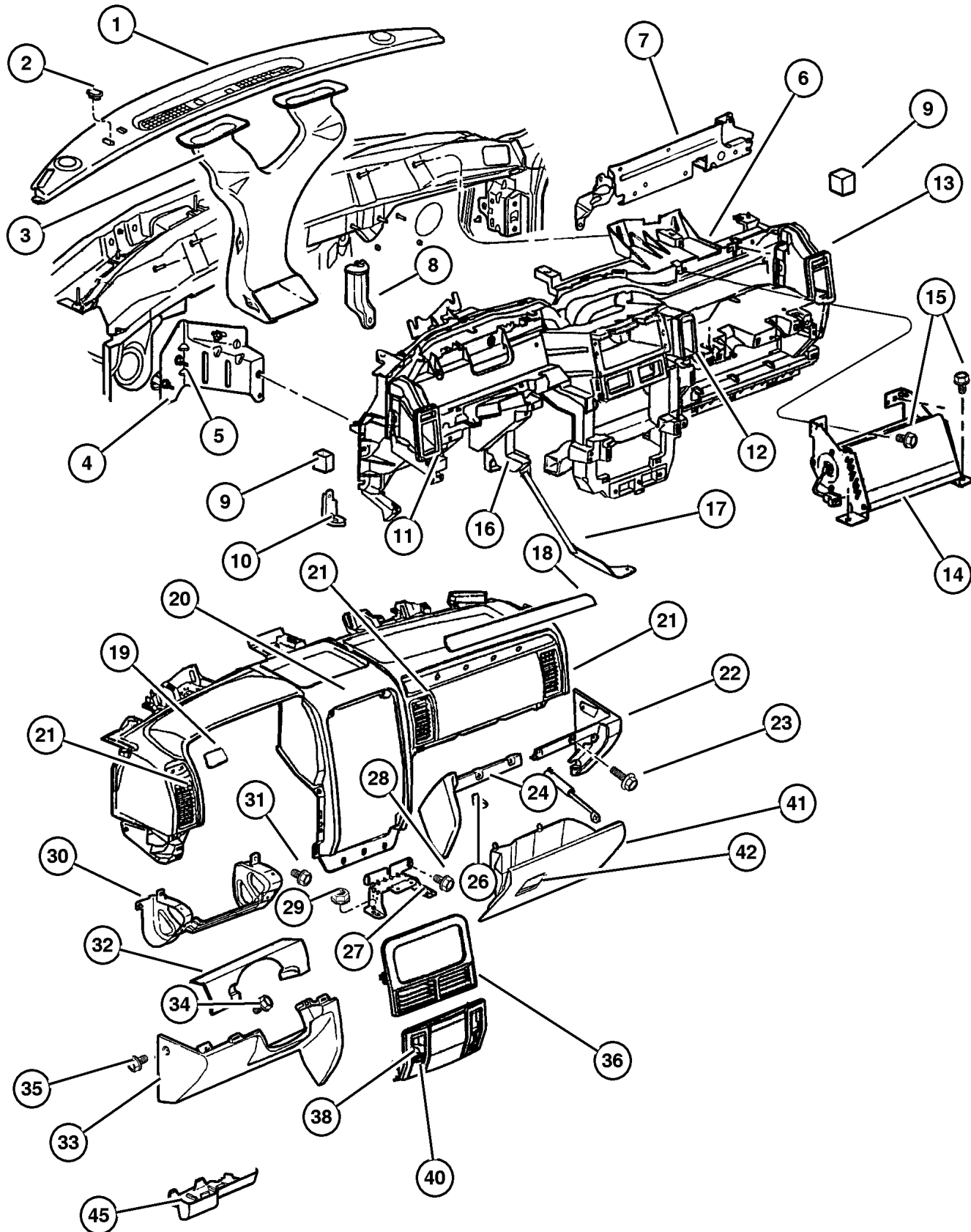


GROUP 8A - Instrument Panel and Radios and Consoles

Illustration Title	Group-Fig. No.
Instrument Panel	
Instrument Panel	Fig. 08A-110
Instrument Panel Cluster	
Instrument Cluster	Fig. 08A-210
Radio, Antenna, and Speakers	
Radios	Fig. 08A-310
Antenna	Fig. 08A-320
Speakers	Fig. 08A-325
Consoles	
Floor Console	Fig. 08A-410
Overhead Console	Fig. 08A-420



**Instrument Panel
Figure 08A-110**



ITEM	PART NUMBER	QTY	LINE	SERIES	BODY	ENGINE	TRANS	TRIM	DESCRIPTION
1									COVER, Instrument Panel
	QR20 XDVAH	1							[DU]
	QR20 WL8AH	1							[L5]
	QR20 XDVAH	1							[DV]
	QR20 XTMAH	1							
2									PLUG, Solar Sensor
	5EL1 1WL8	1							[L5]
	5EL1 1XTM	1							[T5]
	5EL1 1XDV	1							[DV]
3	5511 6014	1							DUCT, Defroster
4	55116 395AC	1							BRACKET, Instrument Panel
5									NUT, M6x1, (NOT SERVICED) (Not Serviced)
6	55116 407AE	1							DUCT, Instrument Panel, Structural
7	55116 373AB	1							BRACKET, Instrument Panel, C-Chanel Cover
8									BRACKET, Instrument Panel, (NOT REQUIRED)
9									SPACER, (NOT REQUIRED)
10	55116 822AB	1							BRACKET, Courtesy Lamp
11	55116 287AB	1							DUCT, Instrument Panel, Extension
									Left
12	55116 285AB	1							DUCT, Instrument Panel, Extension In Board
13	55116 286AB	1							DUCT, Instrument Panel, Extension
									Right
14	#55116 438AD	1							AIR BAG, Passenger
15									SCREW, Hex Head, (NOT SERVICED) (Not Serviced)
16	55116 569AB	1							BRACKET, Instrument Panel, Steering Column Support
17									STRAP, Serviced in Assembly, (NOT SERVICED) (Not Serviced)
18									BEZEL, Instrument Panel
	55116 482AA	1			P				Spartan Burl, Passenger
	55116 509AA	1			H, M				Brushed Aluminum, Passenger
	55116 511AB	1			S				Redwood Burl, Passenger
	#55116 895AA	1							[ADM] Freedom Special Edition Package, Passenger
19									BEZEL, Instrument Panel, Armature Assembly & A/C Outlet Bezel
									Included

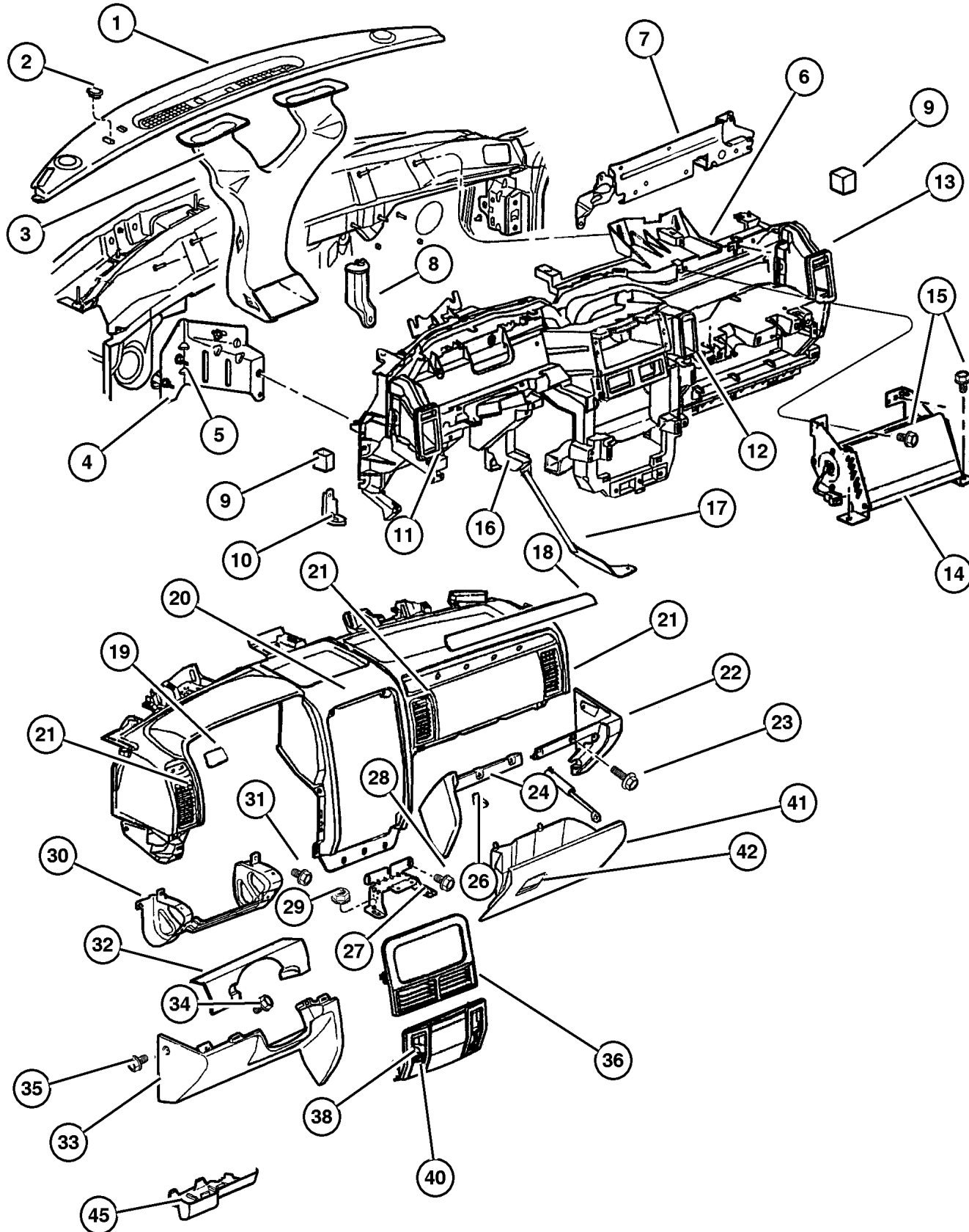
JEEP GRAND CHEROKEE (WJ)

SERIES	LINE	BODY	ENGINE	TRANSMISSION
H = Laredo	J = 4WD	74 = 4 Door	ERH = 4.0L, Power Tech I-6	DGK = 4 Speed Auto, 42RE
M = Sport	T = 2WD		EVA = 4.7L Power Tech V8	DGQ = 5 Speed Auto, 45RFE
P = Limited			EVC = 4.7L HO V8 MPI	DG0 = All Automatic Trans
S = Overland			ER0 = All 4.0L 6 Cyl Gas	
			EVO = All 4.7L Gas	

AR = Use as required - = Non illustrated part # = New this model year

December 1, 2003

Instrument Panel Figure 08A-110



ITEM	PART NUMBER	QTY	LINE	SERIES	BODY	ENGINE	TRANS	TRIM	DESCRIPTION
	55116 475AA	1		P					Spartan Burl, Driver
	55116 497AA	1		H, M					Brushed Aluminum, Driver
	55116 499AA	1		S					Redwood Burl, Driver
	#55116 889AA	1							[ADM] Freedom Special Edition Package, Driver
20									PAD, Instrument Panel
	5HK98 1L8AA	1							[L5]
	5HK98 1TMAA	1							[T5]
	5HK98 1DVAA	1							[DU]
		1							[DV]
21									OUTLET, Air Conditioning & Heater
	5GZ12 1L8AB	1							[L5] (Inboard)
	5GZ12 1TMAB	1							[T5] (Inboard)
	5GZ13 1L8AB	1							[L5] (Left)
	5GZ13 1TMAB	1							[T5] (Left)
	5GZ14 1L8AB	1							[L5] (Right)
	5GZ14 1TMAB	1							[T5] (Right)
	5GZ12 1DVAB	1							[DB] [DV] (Inboard)
22									CAP, Instrument Panel End
	5EY42 WL5AD	1							[L5]
	5EY42 XDVAD	1							[DV]
		1							[DU]
	5EY42 XT5AD	1							[T5]
23	6032 723	6							SCREW, Self Tapping, M4.2x1.69x19.05
24									BEZEL, Instrument Panel
	5FU66 WL5AC	1							[L5] Lower Right Center
	5FU66 XT5AC	1							[T5] Lower Right Center
	5FU66 XDVAC	1							[DV,DU] Lower Right Center
-25	6101 946	3							SCREW, Tapping
26									STRIKER, Glove Box Door Latch
	55116 374AA	1							Right
	55116 375AA	1							Left
27	55116 041AB	1							BRACKET, Instrument Panel
28									SCREW, M6X1X25, (NOT SERVICED) (Not Serviced)
29	6504 572	2							NUT AND WASHER, Hex Nut-Coned Washer, M8 x 1.25
30	55116 391AA	1							BRACKET, Instrument Panel
31									SCREW, Self Tapping, M6x1x15, (NOT SERVICED) (Not Serviced)
32									BEZEL, Instrument Cluster

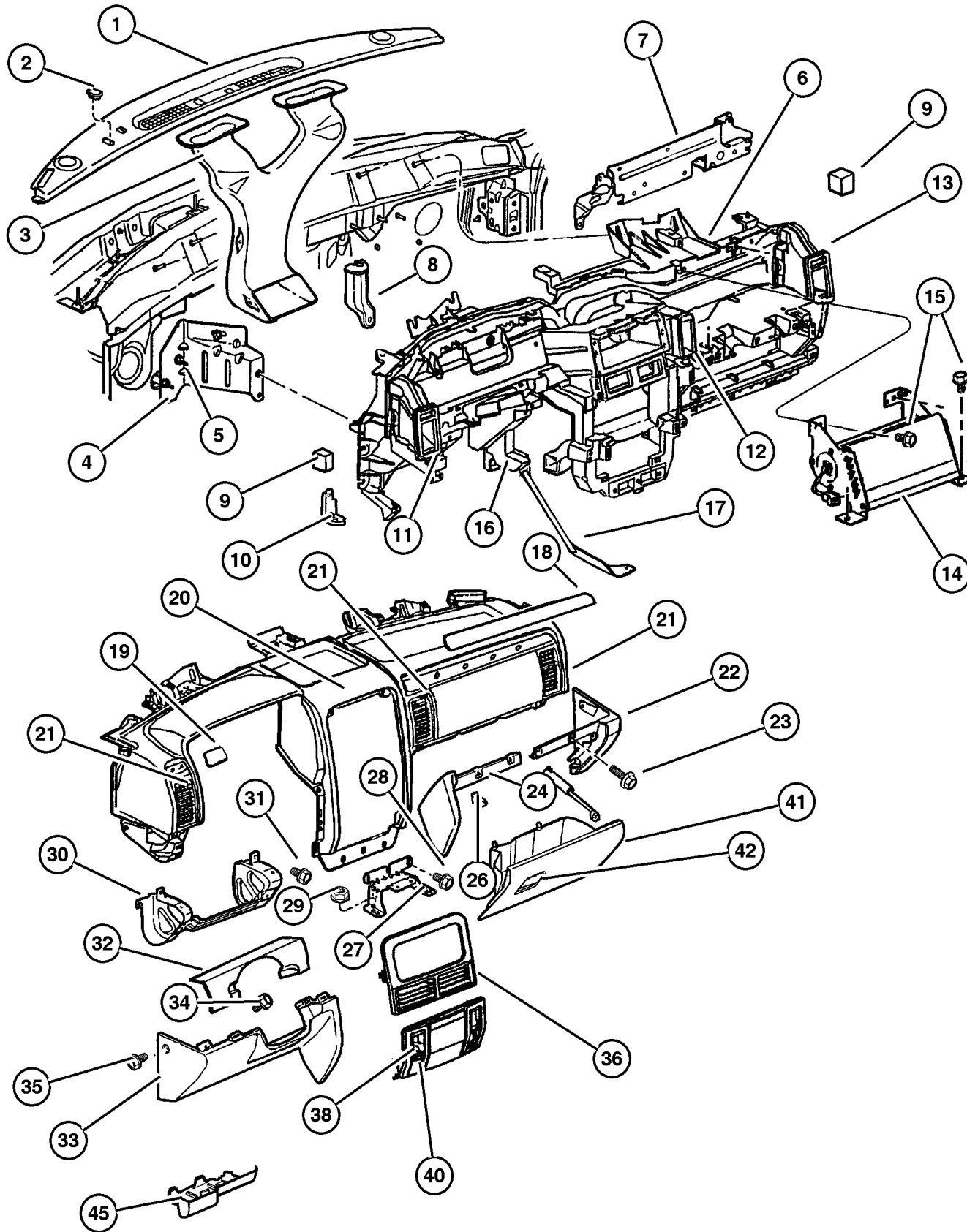
JEEP GRAND CHEROKEE (WJ)

SERIES	LINE	BODY	ENGINE	TRANSMISSION
H = Laredo	J = 4WD	74 = 4 Door	ERH = 4.0L, Power Tech I-6	DGK = 4 Speed Auto, 42RE
M = Sport	T = 2WD		EVA = 4.7L Power Tech V8	DGQ = 5 Speed Auto, 45RFE
P = Limited			EVC = 4.7L HO V8 MPI	DG0 = All Automatic Trans
S = Overland			ER0 = All 4.0L 6 Cyl Gas	
			EVO = All 4.7L Gas	

AR = Use as required - = Non illustrated part # = New this model year

December 1, 2003

**Instrument Panel
Figure 08A-110**



ITEM	PART NUMBER	QTY	LINE	SERIES	BODY	ENGINE	TRANS	TRIM	DESCRIPTION
	5FZ23 WL8AF	1		P					[L5] without Adjustable Pedal
	5HK51 XDVAC	1		X					[DU] With Adjustable Pedal
	5FZ23 XDVAF	1		P					[DV] without Adjustable Pedal
	5FZ23 XTMAF	1		P					[T5] without Adjustable Pedal
	5HK51 WL8AC	1		P					[L5] with Adjustable Pedal
	5HK51 XDVAC	1		P					[DV] with Adjustable Pedal
	5HK51 XTMAC	1		P					[T5] with Adjustable Pedal
	5FZ23 XDVAF	1		H					[DV] without Adjustable Pedal
		1		M					[DV] without Adjustable Pedal
33	5HK51 XDVAC	1		H					[DV] With Adjustable Pedal
									COVER, Instrument Panel, Steering Column Opening
	5EY40 WL5AG	1							[L5]
	5EY40 XT5AG	1							[T5]
	5EY40 XDVAG	1							[DV,DU]
34	6101 946	3							SCREW, Tapping
35	6032 723	6							SCREW, Self Tapping, M4.2x1.69x19.05
36									BEZEL, Instrument Panel, Upper, Radio Bezel Opening
									Woodgrain (Spartan Burl)
	55116 479AB	1		P					Redwood
	55116 519AB	1		S					Brush Aluminum
	55116 506AA	1		H, M					[ADM] Freedom Special Edition Package
	#55116 893AA	1							
-37	55116 366AB	1							ADAPTER, A/C And Heater Unit
38									BEZEL, Instrument Panel, Lower Black with heated seats
	5096 015AB	1							
	55116 911AA	1							
-39	6504 664	2							CLIP, Instrument Panel
40	4793 554AB	1							POWER OUTLET
41									GLOVE BOX, Instrument Panel
	5EY38 1DVAB	1							[DB]
		1							[DV]
	5EY38 1L5AB	1							[L5]
	5EY38 1T5AB	1							[T5]
42									LATCH, Glovebox Door
	5FK9 41DV	1							[DB]
		1							[DV]
	5FK9 41T5	1							[T5]
	5FK9 4WL5	1							[L5]

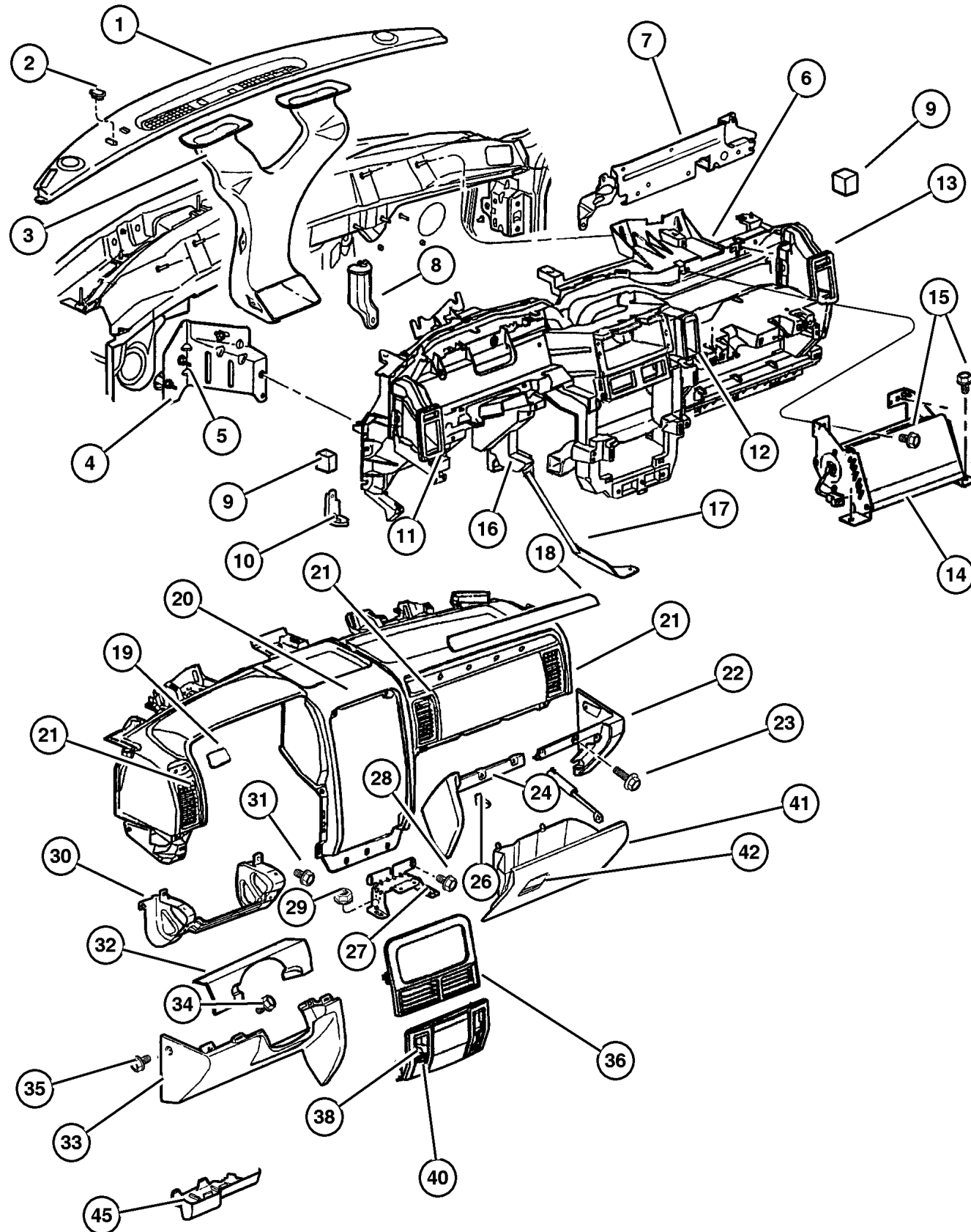
JEEP GRAND CHEROKEE (WJ)

SERIES	LINE	BODY	ENGINE	TRANSMISSION
H = Laredo	J = 4WD	74 = 4 Door	ERH = 4.0L, Power Tech I-6	DGK = 4 Speed Auto, 42RE
M = Sport	T = 2WD		EVA = 4.7L Power Tech V8	DGQ = 5 Speed Auto, 45RFE
P = Limited			EVC = 4.7L HO V8 MPI	DG0 = All Automatic Trans
S = Overland			ER0 = All 4.0L 6 Cyl Gas	
			EVO = All 4.7L Gas	

AR = Use as required - = Non illustrated part # = New this model year

December 1, 2003

**Instrument Panel
Figure 08A-110**



ITEM	PART NUMBER	QTY	LINE	SERIES	BODY	ENGINE	TRANS	TRIM	DESCRIPTION
-43	55116 440AA	1							BUMPER, Glove Box Door, Glove Box Catch
-44	4565 022	1							SWITCH AND LAMP, Glove Box COVER, Fuse Access, With Adjustable Pedal
-45	55116 564AF	1							
-46	55196 762AA	1							PULLER, Fuse
-47	4595 748AA	1							LABEL, Air Bag Warning Glovebox Door (English)
	4595 749AA	1							Glovebox Door (Bilingual)
-48	4685 591	1							CAP, Cigar Lighter Cap/Tether & Mount Ring (Cigar Lighter), Power Outlet
	5600 8852	1							Lighter
-49	UH63 1DBAA	1		S					BEZEL, Switch [DB]
	UH63 1DVAA	1		P					[DV]
	UH63 1L5AA	1		P					[L5]
	UH63 1T5AA	1		P					[T5]
-50	55116 837AC	1							COVER, Mechanism Reveal, Adjustable Pedal System Cover
-51	4595 823AB	1							SMOKERS KIT, Ash Receiver With Lighter, Includes knob/element 04685536AB

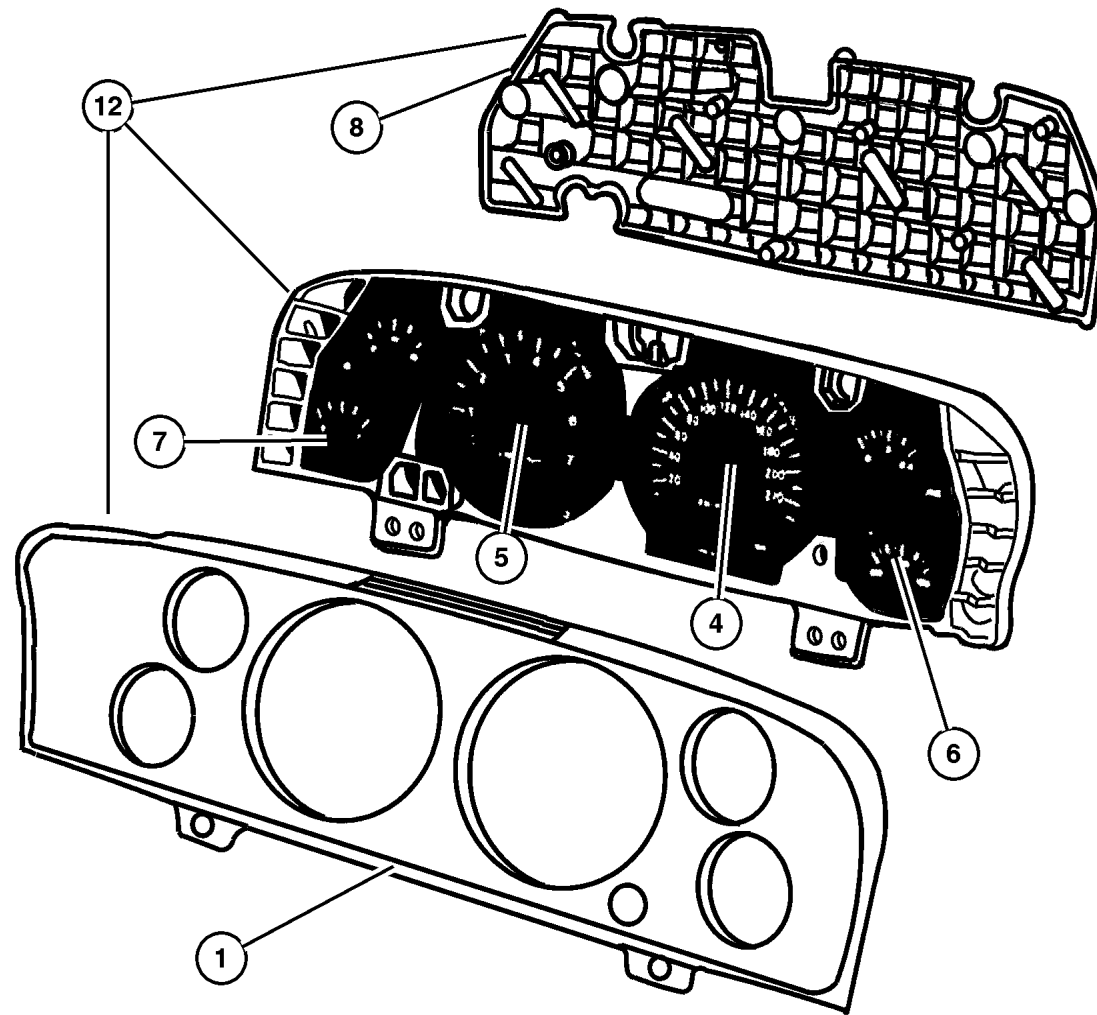
JEEP GRAND CHEROKEE (WJ)

SERIES	LINE	BODY	ENGINE	TRANSMISSION
H = Laredo	J = 4WD	74 = 4 Door	ERH = 4.0L, Power Tech I-6	DGK = 4 Speed Auto, 42RE
M = Sport	T = 2WD		EVA = 4.7L Power Tech V8	DGQ = 5 Speed Auto, 45RFE
P = Limited			EVC = 4.7L HO V8 MPI	DG0 = All Automatic Trans
S = Overland			ER0 = All 4.0L 6 Cyl Gas	
			EVO = All 4.7L Gas	

AR = Use as required - = Non illustrated part # = New this model year

December 1, 2003

**Instrument Cluster
Figure 08A-210**



ITEM	PART NUMBER	QTY	LINE	SERIES	BODY	ENGINE	TRANS	TRIM	DESCRIPTION
Notes:									
[ER0]=4.0L 6 Cylinder Engine									
[EVA]=4.7L Power Tech V8 Engine									
[EVC]=4.7L Power Tech HO V8 Engine									
1									LENS, Cluster
	5073 267AA	1		H, M		ER0, EVA			120 MPH, with Foglamps
		1		H, M		ER0, EVA			120 MPH, without Foglamps
	5073 269AA	1		P, S, X		ER0, EVA, EVC			120 MPH
	5073 270AA	1		H, M		ER0,			240 KPH
	5073 271AA	1		P, S, X		EVA ER0, EVA, EVC			240 KPH
-2									BULB, PC74
	L000 PC74	12		H, M		ER0, EVA			
		13		P, S, X		ER0, EVA, EVC			
-3	5269 529	5		H, M		ER0, EVA			BULB, PC121
4									GAUGE, Speedometer, Serviced with Cluster Assembly , (NOT SERVICED) (Not Serviced)
5									GAUGE, Tachometer, Serviced with Cluster Assembly , (NOT SERVICED) (Not Serviced)
6									GAUGE, Temperature And Oil, Serviced with Cluster Assembly , (NOT SERVICED) (Not Serviced)
7									GAUGE, Fuel And Volt, Serviced with Cluster Assembly , (NOT SERVICED) (Not Serviced)
8									BOARD, Circuit, Serviced with Cluster Assembly, (NOT SERVICED) (Not Serviced)
-9									KNOB, Odometer Reset

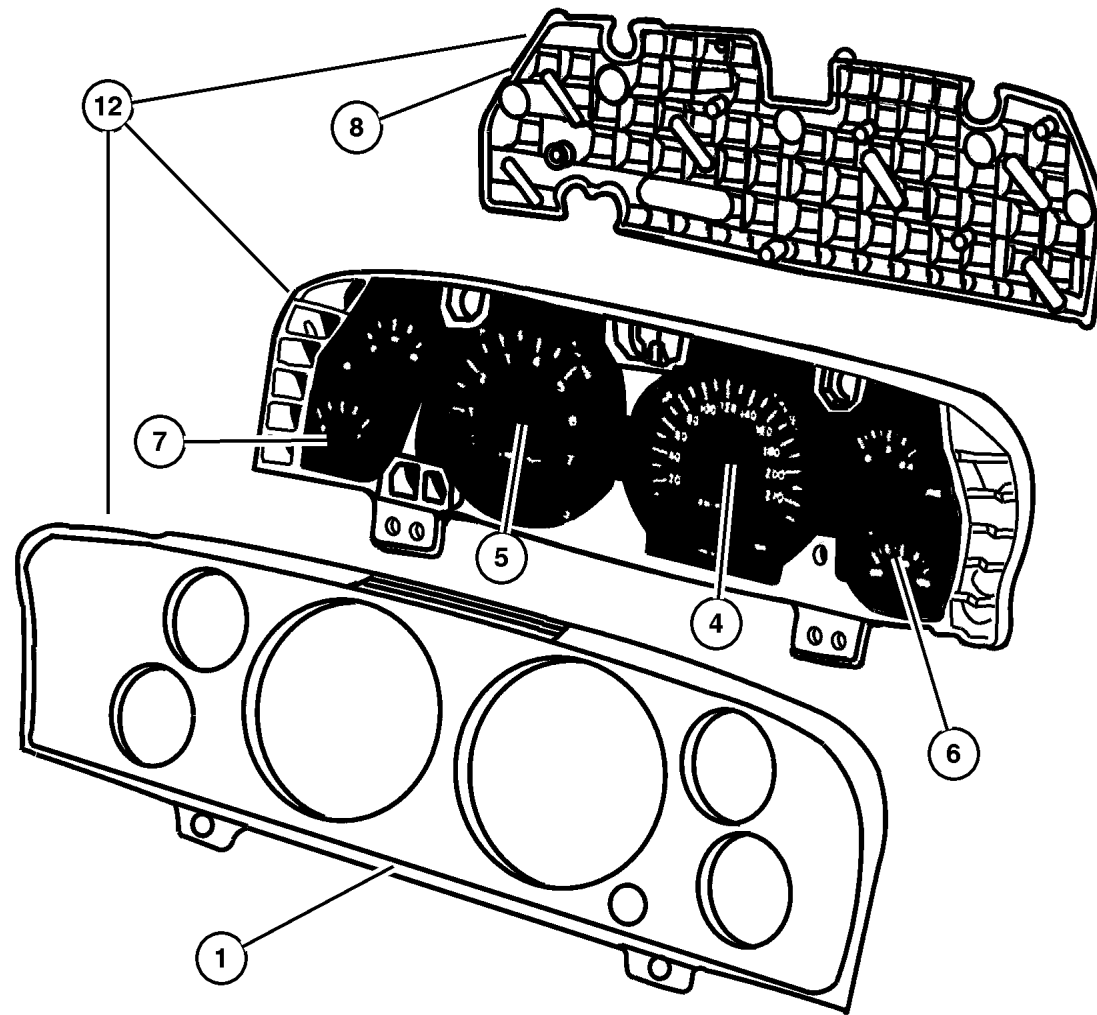
JEEP GRAND CHEROKEE (WJ)

SERIES	LINE	BODY	ENGINE	TRANSMISSION
H = Laredo	J = 4WD	74 = 4 Door	ERH = 4.0L, Power Tech I-6	DGK = 4 Speed Auto, 42RE
M = Sport	T = 2WD		EVA = 4.7L Power Tech V8	DGQ = 5 Speed Auto, 45RFE
P = Limited			EVC = 4.7L HO V8 MPI	DG0 = All Automatic Trans
S = Overland			ER0 = All 4.0L 6 Cyl Gas	
			EVO = All 4.7L Gas	

AR = Use as required - = Non illustrated part # = New this model year

December 1, 2003

**Instrument Cluster
Figure 08A-210**



ITEM	PART NUMBER	QTY	LINE	SERIES	BODY	ENGINE	TRANS	TRIM	DESCRIPTION
	4638 220	1		H, M		ER0, EVA			
		1		P, S, X		ER0, EVA, EVC			
-10	6101 946	3							SCREW, Tapping
-11	6032 723	6							SCREW, Self Tapping, M4.2x1.69x19.05
12									CLUSTER, Complete Cluster Assembly w/Lens & Gauges
	#56042 902AH	1		H, M		ER0, EVA			120 MPH, with Foglamps
	#56042 917AJ	1		P, S, X		ER0, EVA, EVC			240 KPH
	#56042 919AI	1		P, S, X		ER0, EVA, EVC			120 MPH
	#56042 998AH	1		H, M		ER0, EVA			240 KPH
	#56050 802AD	1		H, M		ER0, EVA			120 MPH, without Foglamps

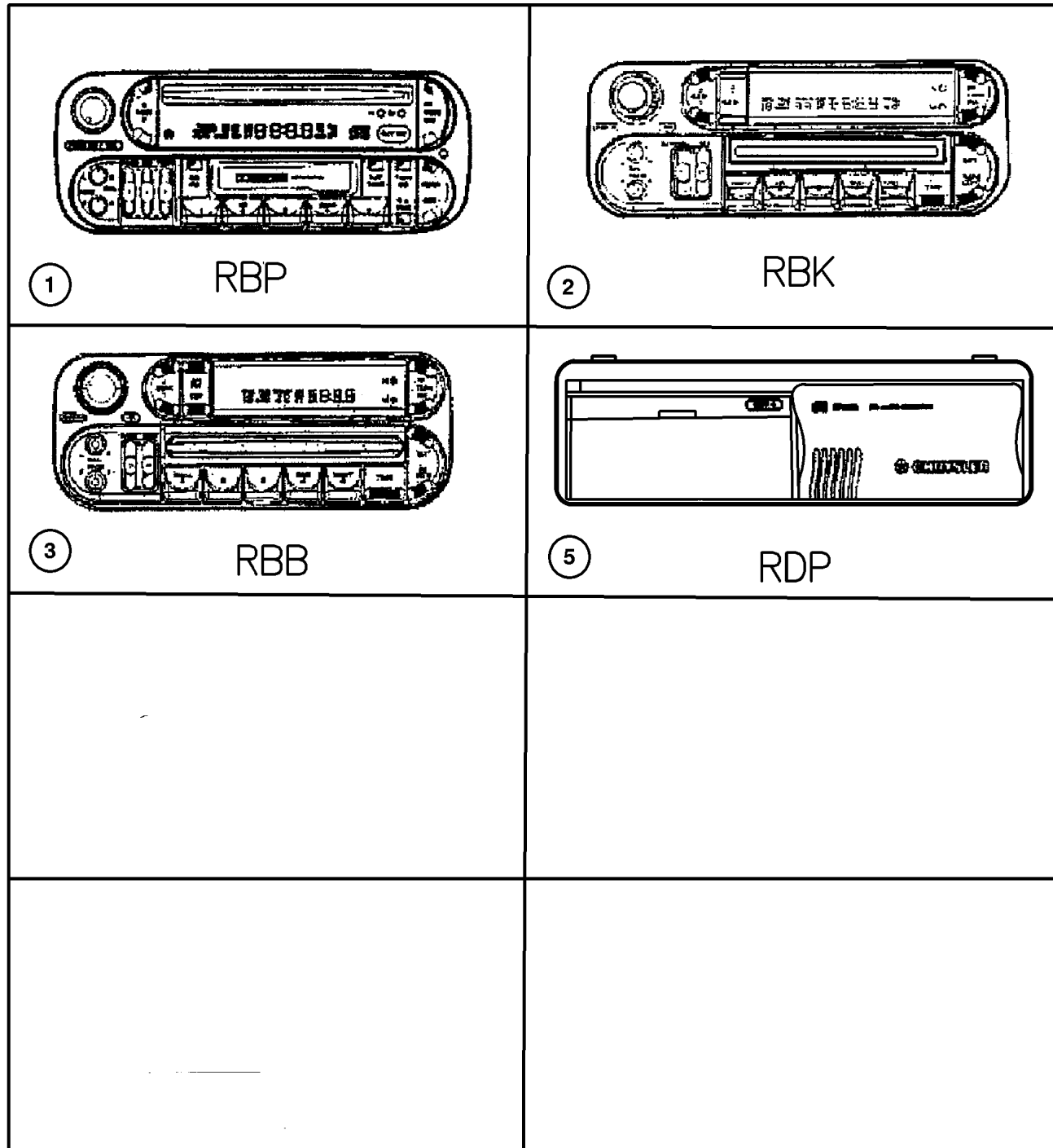
JEEP GRAND CHEROKEE (WJ)

SERIES	LINE	BODY	ENGINE	TRANSMISSION
H = Laredo	J = 4WD	74 = 4 Door	ERH = 4.0L, Power Tech I-6	DGK = 4 Speed Auto, 42RE
M = Sport	T = 2WD		EVA = 4.7L Power Tech V8	DGQ = 5 Speed Auto, 45RFE
P = Limited			EVC = 4.7L HO V8 MPI	DG0 = All Automatic Trans
S = Overland			ER0 = All 4.0L 6 Cyl Gas	
			EVO = All 4.7L Gas	

AR = Use as required - = Non illustrated part # = New this model year

December 1, 2003

**Radios
Figure 08A-310**



ITEM	PART NUMBER	QTY	LINE	SERIES	BODY	ENGINE	TRANS	TRIM	DESCRIPTION
------	-------------	-----	------	--------	------	--------	-------	------	-------------

Notes:

- [RBK] = AM/FM with CD/Equalizer
- [RBP] = AM/FM Cassette/CD/CD Changer
- [RDP] = Disc Changer
- [ER0] = 4.0L Engine
- [EVO] = 4.7L Engine

1	5064 125AD	1							RADIO, AM/FM/Cassette With CD, [RBP]
2	5064 354AI	1							RADIO, AM/FM with CD and Equalizer, [RBK]
3	5064 335AI	1							RADIO, AM/FM/Cassette With CD Control, [RBB]
-4	8220 6406	1							RADIO, AM/FM CD W/NAV/DVD & CD-CTRL, [RB1]
5	56042 129AH	1							CHANGER, CD, [RDP]
-6	56038 642AC	1							DVD, Geographic Database, [RB1]
-7	6100 047	4							NUT AND WASHER, Hex Nut-Coned Washer, M6 x 1.00
-8	6505 903AA	1				EVO			SCREW AND WASHER, Self Tapping, M6x1x22, Ground strap attaching
-9	6035 081	1				ER0			NUT, .25-20
-10	56038 402AC	1				EVO			STRAP, Radio Noise Suppression [EVO]
	56038 499AC	1				ER0			[ER0]
-11	6035 081	1				ER0			NUT, .25-20
-12	#56038 407AG	1							AMPLIFIER, Radio
-13	6505 002AA	4							STUD, CD Changer Attaching
-14	4274 258	1							TAPE, Radio Connector, Foam

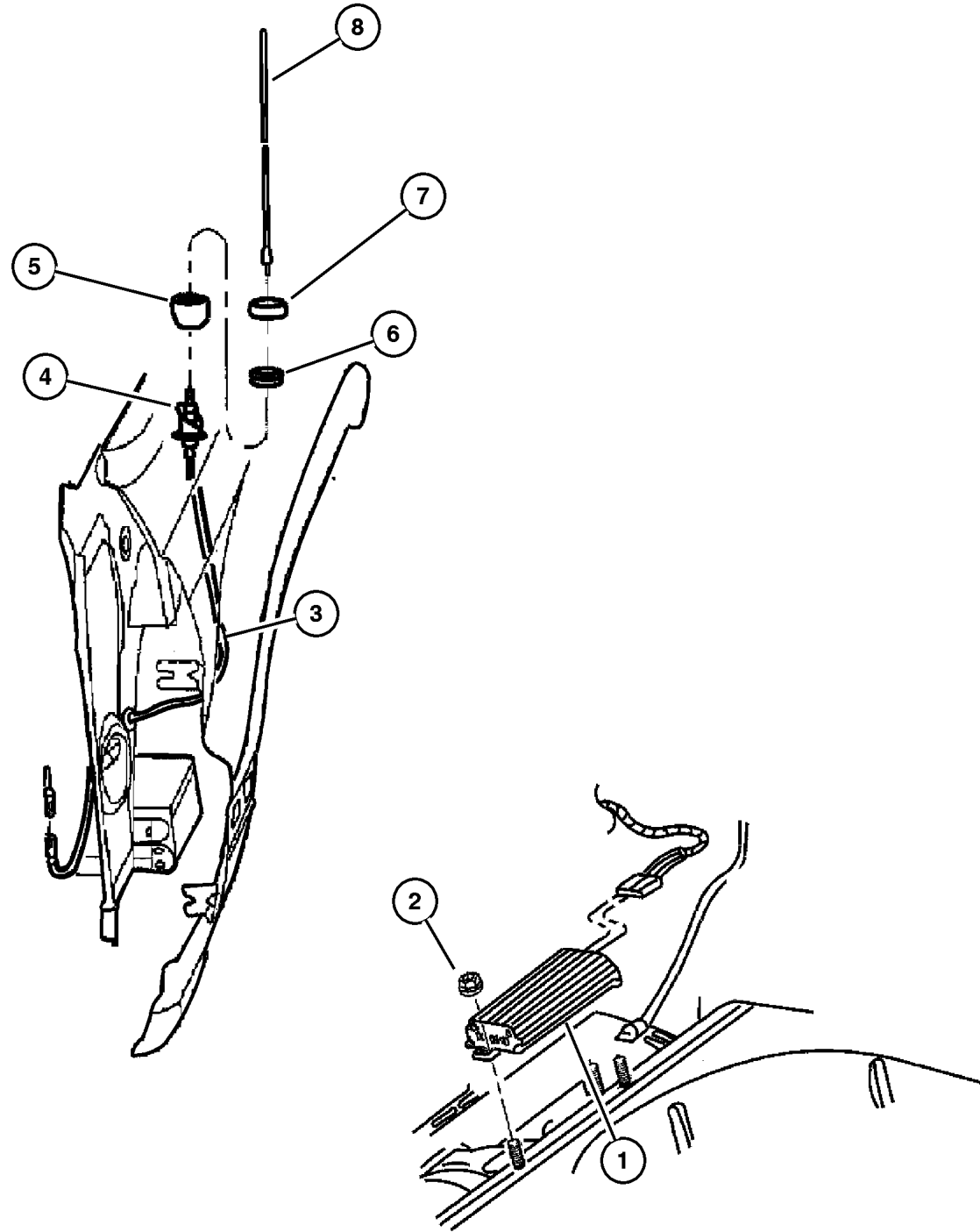
JEEP GRAND CHEROKEE (WJ)

SERIES	LINE	BODY	ENGINE	TRANSMISSION
H = Laredo	J = 4WD	74 = 4 Door	ERH = 4.0L, Power Tech I-6	DGK = 4 Speed Auto, 42RE
M = Sport	T = 2WD		EVA = 4.7L Power Tech V8	DGQ = 5 Speed Auto, 45RFE
P = Limited			EVC = 4.7L HO V8 MPI	DG0 = All Automatic Trans
S = Overland			ER0 = All 4.0L 6 Cyl Gas	
			EVO = All 4.7L Gas	

AR = Use as required - = Non illustrated part # = New this model year

December 1, 2003

Antenna Figure 08A-320



ITEM	PART NUMBER	QTY	LINE	SERIES	BODY	ENGINE	TRANS	TRIM	DESCRIPTION
Notes:									
[RCE]= Infinity Speaker System									
[RDD] = Antenna Fixed									
[ER0] = 4.0L Engine									
[EVO] = 4.7L Engine									
1	56038 407AF	1							AMPLIFIER, Radio, [RCE]
2	6100 048	1				ER0, EVO			NUT, Hex, M6x1.00
3	56038 617AB	1							CABLE, Antenna, [RDD]
4	56038 412AB	1							BASE, Antenna, [RDD]
5	56009 375AB	1							ESCUTCHEON, Antenna, [RDD]
6	4685 301	1							CAP NUT, Antenna, Black, [RDD]
7	4685 498	1							SHROUD, Antenna Cap Nut, [RDD]
8	4685 574AE	1							MAST, Antenna, [RDD]
-9	56038 734AA	1							ANTENNA, Global Positioning

JEEP GRAND CHEROKEE (WJ)

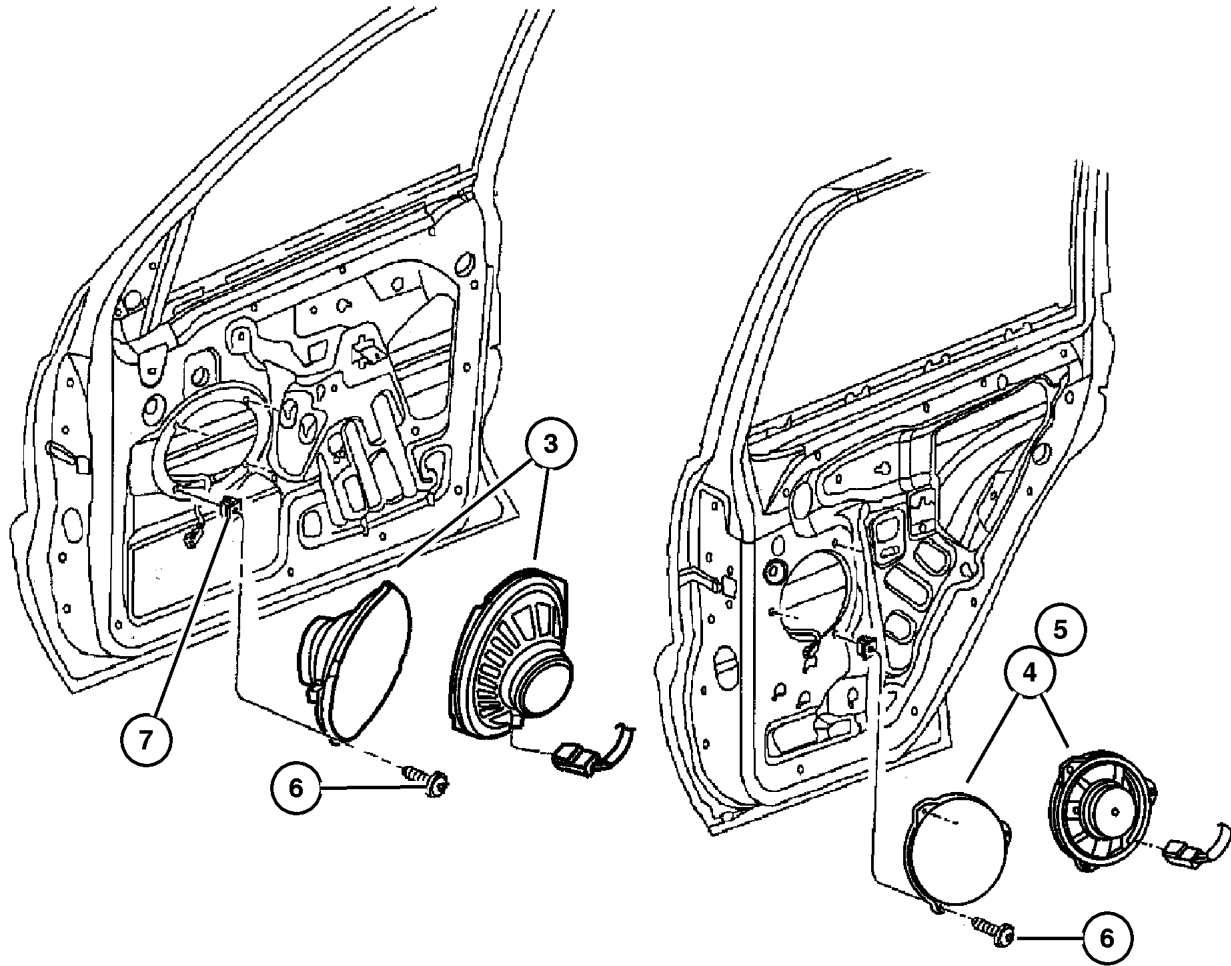
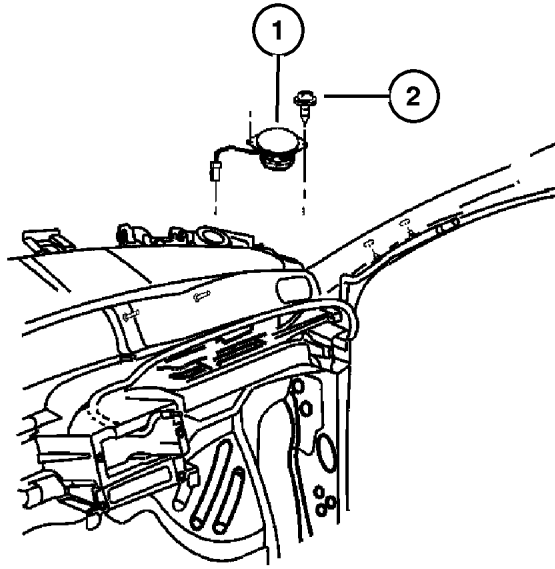
SERIES	LINE	BODY	ENGINE	TRANSMISSION
H = Laredo	J = 4WD	74 = 4 Door	ERH = 4.0L, Power Tech I-6	DGK = 4 Speed Auto, 42RE
M = Sport	T = 2WD		EVA = 4.7L Power Tech V8	DGQ = 5 Speed Auto, 45RFE
P = Limited			EVC = 4.7L HO V8 MPI	DG0 = All Automatic Trans
S = Overland			ER0 = All 4.0L 6 Cyl Gas	
			EVO = All 4.7l Gas	

AR = Use as required - = Non illustrated part # = New this model year

December 1, 2003

Speakers Figure 08A-325

ITEM	PART NUMBER	QTY	LINE	SERIES	BODY	ENGINE	TRANS	TRIM	DESCRIPTION
Notes:									
[RCE]=Infinity Speaker System									
[RCG]=Standard Speaker System									
1	56038 411AC	2							SPEAKER, Instrument Panel, [RCE] Infinity
2	6101 946	3							SCREW, Tapping
3									SPEAKER, 6"X9", 6x9 Woofer Premium [RCG]
	#5082 450AB	2							[RCE]
	56038 409AC	2							[RCE]
4	#5082 451AC	2							SPEAKER, 6.5", 6.5 Base
5	56038 657AA	2							SPEAKER, Sub Woofer, 6.5 Woofer, Woofer 6.5
6									SCREW, (NOT SERVICED) (Not Serviced)
7	6507 009AA	8							NUT, Plastic Snap-in, [RCE] Infinity & [RCG] Standard
-8	56038 612AA	2							SPEAKER, Tweeter, [RCG] Standard



JEEP GRAND CHEROKEE (WJ)

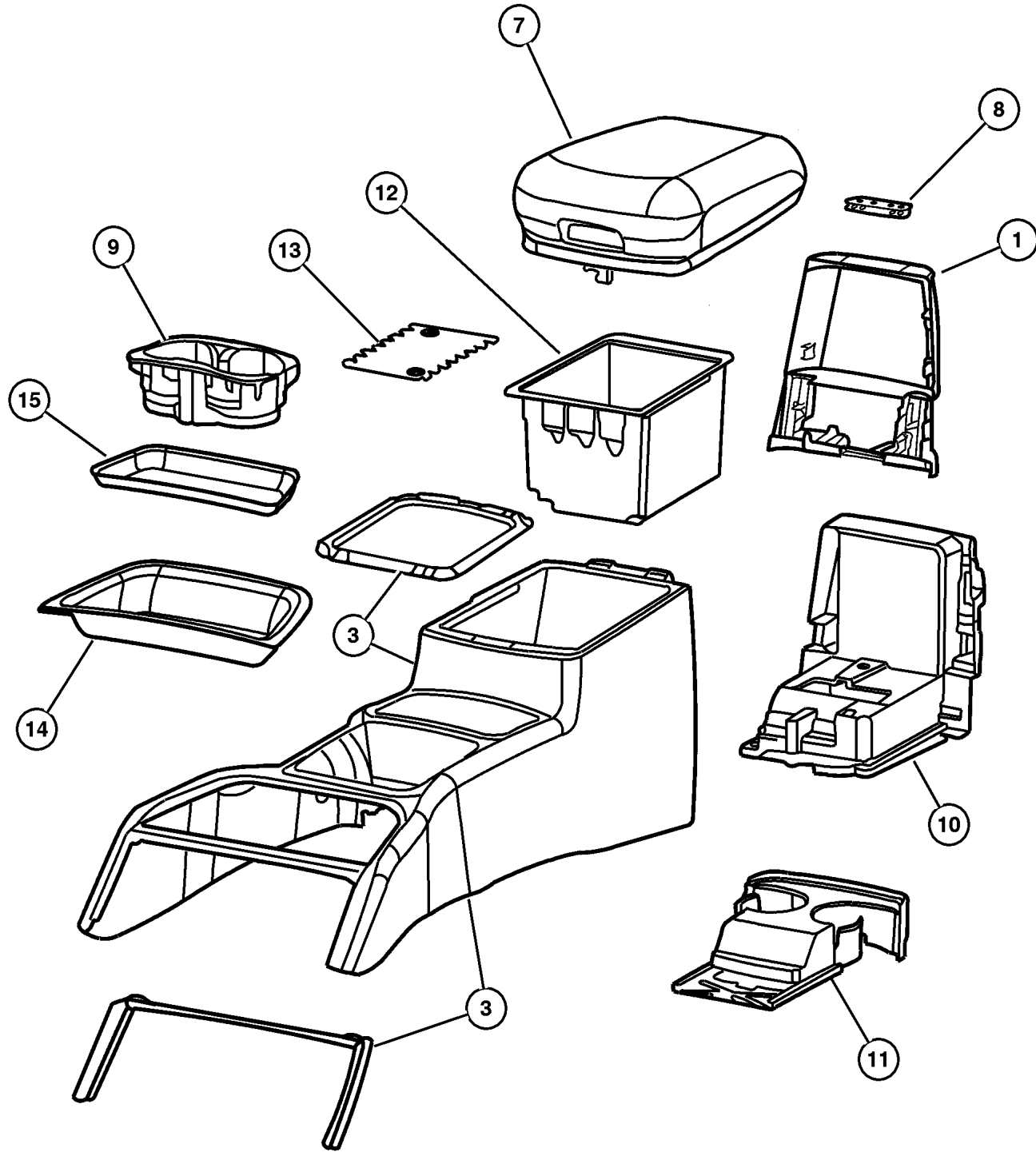
SERIES	LINE	BODY	ENGINE	TRANSMISSION
H = Laredo	J = 4WD	74 = 4 Door	ERH = 4.0L, Power Tech I-6	DGK = 4 Speed Auto, 42RE
M = Sport	T = 2WD		EVA = 4.7L Power Tech V8	DGQ = 5 Speed Auto, 45RFE
P = Limited			EVC = 4.7L HO V8 MPI	DG0 = All Automatic Trans
S = Overland			ER0 = All 4.0L 6 Cyl Gas	
			EVO = All 4.7L Gas	

AR = Use as required - = Non illustrated part # = New this model year

December 1, 2003

**Floor Console
Figure 08A-410**

ITEM	PART NUMBER	QTY	LINE	SERIES	BODY	ENGINE	TRANS	TRIM	DESCRIPTION
1									PANEL, Console
	QP97 XDVAA	1		P					[DV]
		1		S					[DB]
	QP97 XT5AA	1		P					[T5]
	QP97 WL5AA	1		H					[L5]
	QP97 XDVAA	1		M					[DV]
	QP97 WL5AA	1		M					[L5]
	QP97 XT5AA	1		H					[T5]
		1		M					[T5]
	QP97 WL5AA	1		P					[L5]
	QP97 XDVAA	1		H					[DV]
-2									LATCH, Console Lock
	5014 295AA	1		H					
		1		P					
		1		M					
		1		X					
		1		S					
3									CONSOLE, Base
	SH13 1DUAD	1		X					[DU]
	SH13 1T5AD	1		M					[T5]
	#SH13 1DVAF	1		S					[DV]
	SH13 1DVAD	1		H					[DV]
		1		P					[DV]
		1		M					[DV]
	SH13 1L5AD	1		H					[L5]
		1		P					[L5]
		1		M					[L5]
	SH13 1T5AD	1		H					[T5]
		1		P					[T5]
-4									SCREW, Self Piercing, .164-15x.625
	6032 452	4		H					
		4		P					
		4		M					
		4		X					
-5									CLIP, .500x.417x.500
	6032 838	2		H					
		2		P					
		2		M					
		2		X					
		2		S					
-6	6034 319	2							CLIP, .453Wx.528LGx.017THK
7									LID, Floor Console Bin



JEEP GRAND CHEROKEE (WJ)

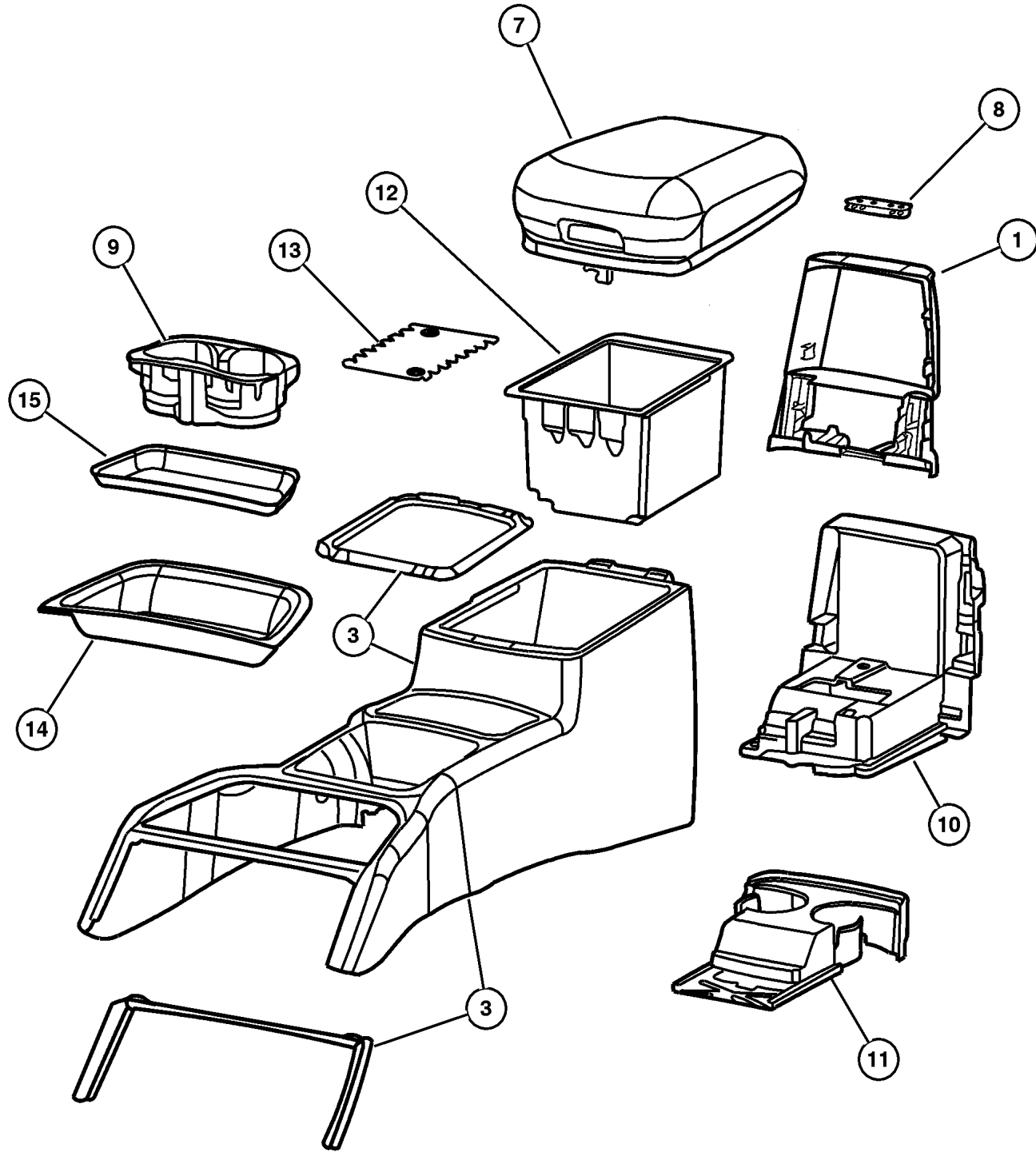
SERIES	LINE	BODY	ENGINE	TRANSMISSION
H = Laredo	J = 4WD	74 = 4 Door	ERH = 4.0L, Power Tech I-6	DGK = 4 Speed Auto, 42RE
M = Sport	T = 2WD		EVA = 4.7L Power Tech V8	DGQ = 5 Speed Auto, 45RFE
P = Limited			EVC = 4.7L HO V8 MPI	DG0 = All Automatic Trans
S = Overland			ER0 = All 4.0L 6 Cyl Gas	
			EVO = All 4.7L Gas	

AR = Use as required - = Non illustrated part # = New this model year

December 1, 2003

**Floor Console
Figure 08A-410**

ITEM	PART NUMBER	QTY	LINE	SERIES	BODY	ENGINE	TRANS	TRIM	DESCRIPTION
	5FW58 1DVAD	1		H					[DV]
	5HY07 1DBAB	1		S					[DB]
	5FW58 1L5AD	1		H					[L5]
	5FW58 1T5AD	1		P					[T5]
	5FW58 1DVAD	1		P					[DV]
		1		M					[DV]
	5FW58 1L5AD	1		P					[L5]
		1		M					[L5]
	5FW58 1T5AD	1		H					[T5]
		1		M					[T5]
8									HINGE, Floor Console Lid
	55196 773AA	1		H					
		1		P					
		1		M					
		1		X					
		1		S					
9									CUPHOLDER, Floor Console
	55196 713AA	1		H					
		1		P					
		1		M					
		1		X					
		1		S					
10									PLATE, Floor Console
	55196 718AC	1		H					
		1		P					
		1		M					
		1		X					
		1		S					
11									CUPHOLDER, Floor Console
	5GL54 1DVAC	1		H					[DV]
	5GL54 1DUAC	1		X					[DU]
	5GL54 1L5AC	1		H					[L5]
	5GL54 1T5AC	1		H					[T5]
	5GL54 1DVAC	1		P					[DV]
		1		M					[DV]
	5GL54 1L5AC	1		P					[L5]
		1		M					[L5]
	5GL54 1T5AC	1		P					[T5]
		1		M					[T5]
12	55196 664AB	1							BIN, Floor Console, With Mat
13	5519 6665	1							MAT, Storage Tray
14	55196 667AB	1							BIN, Floor Console



JEEP GRAND CHEROKEE (WJ)

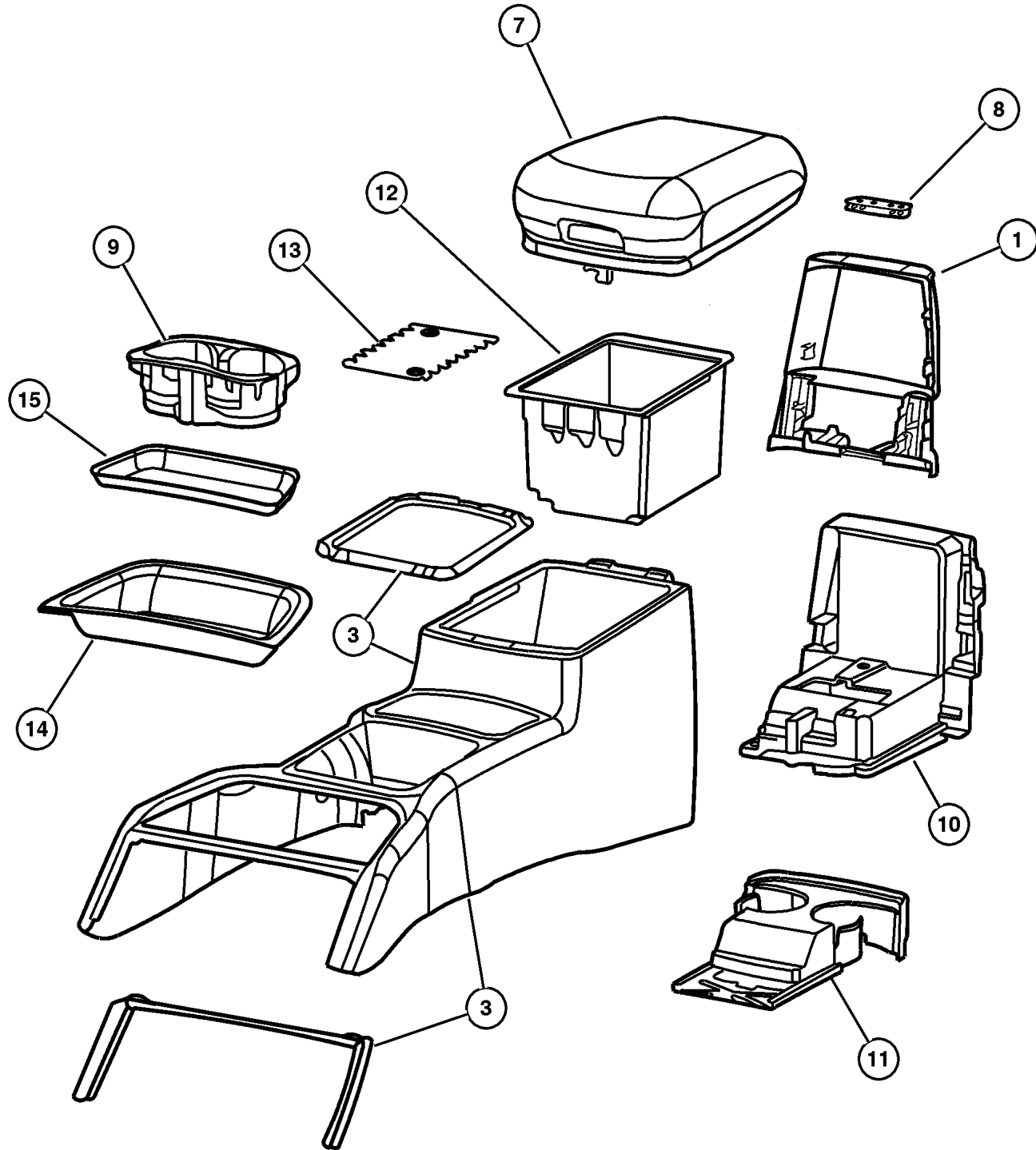
SERIES	LINE	BODY	ENGINE	TRANSMISSION
H = Laredo	J = 4WD	74 = 4 Door	ERH = 4.0L, Power Tech I-6	DGK = 4 Speed Auto, 42RE
M = Sport	T = 2WD		EVA = 4.7L Power Tech V8	DGQ = 5 Speed Auto, 45RFE
P = Limited			EVC = 4.7L HO V8 MPI	DG0 = All Automatic Trans
S = Overland			ER0 = All 4.0L 6 Cyl Gas	
			EVO = All 4.7L Gas	

AR = Use as required - = Non illustrated part # = New this model year

December 1, 2003

Floor Console
Figure 08A-410

ITEM	PART NUMBER	QTY	LINE	SERIES	BODY	ENGINE	TRANS	TRIM	DESCRIPTION
15	55196 669AB	1							MAT, Storage Tray
-16									SCREW, .164-18x.50, (NOT SERVICED) (Not Serviced)
-17									BUMPER, Rubber
	5066 456AA	2		H					
		2		P					
		2		M					
		2		X					
		2		S					
-18	55196 859AA	1							BRACKET, Console



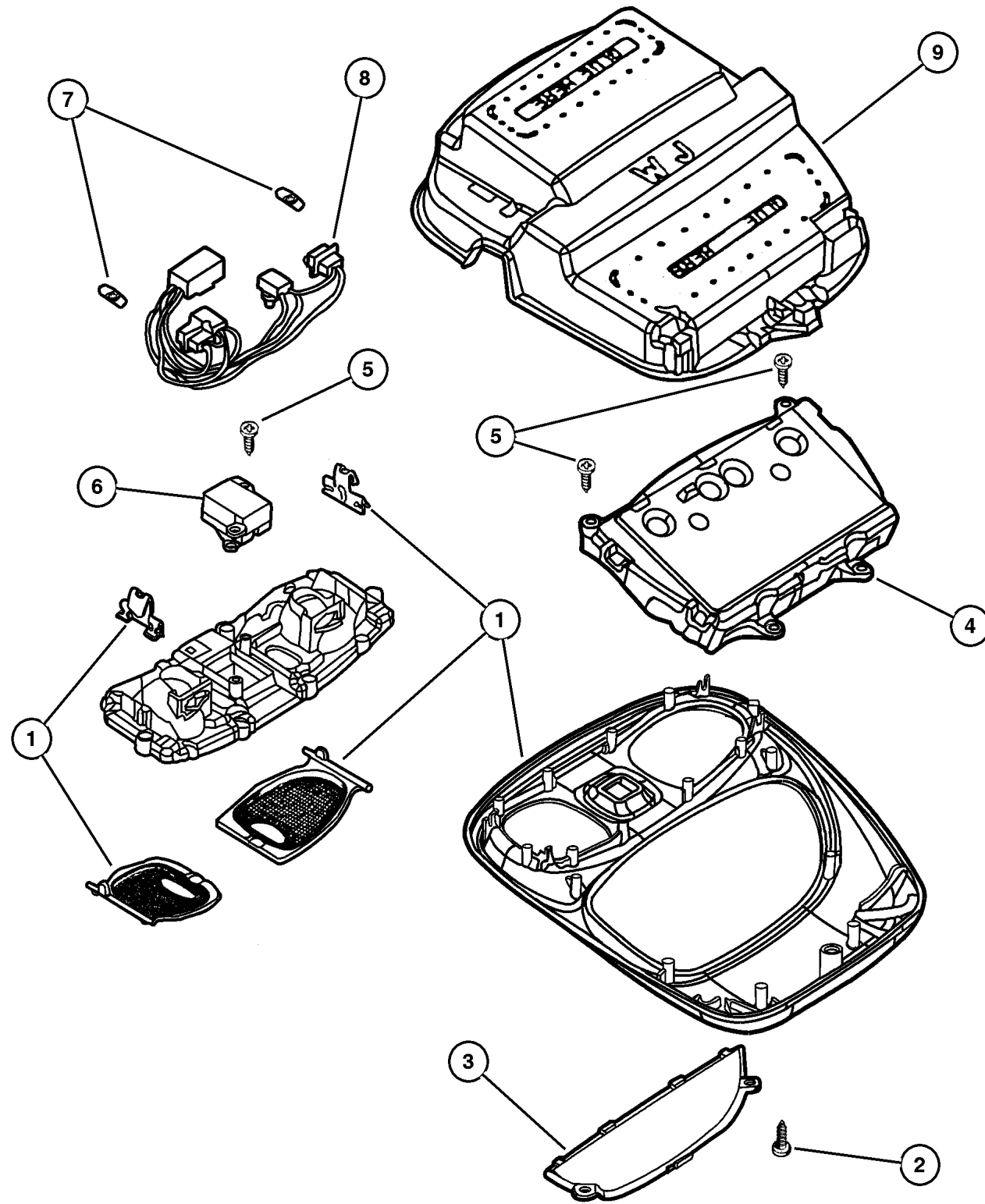
JEEP GRAND CHEROKEE (WJ)

SERIES	LINE	BODY	ENGINE	TRANSMISSION
H = Laredo	J = 4WD	74 = 4 Door	ERH = 4.0L, Power Tech I-6	DGK = 4 Speed Auto, 42RE
M = Sport	T = 2WD		EVA = 4.7L Power Tech V8	DGQ = 5 Speed Auto, 45RFE
P = Limited			EVC = 4.7L HO V8 MPI	DG0 = All Automatic Trans
S = Overland			ER0 = All 4.0L 6 Cyl Gas	
			EVO = All 4.7L Gas	

AR = Use as required - = Non illustrated part # = New this model year

December 1, 2003

Overhead Console
Figure 08A-420



ITEM	PART NUMBER	QTY	LINE	SERIES	BODY	ENGINE	TRANS	TRIM	DESCRIPTION
1									CONSOLE, Overhead Mini, Less Electronics
	SF61 1L2AA	1							Without Sunroof
	SF62 1DBAA	1							With Sunroof & Illuminate Vanity Mirror
	SF62 1L2AA	1							With Sunroof & without Illuminate Vanity Mirror
2									SCREW, .164-18x.500, (NOT SERVICED) (Not Serviced)
3	5012 882AA	1							LENS, Message Center
4	56042 749AH	1							MODULE, Compass Temperature, With Universal Garage Door Opener
5									SCREW, (NOT SERVICED) (Not Serviced)
6	5604 2064	1							SWITCH, 1 Gang
7	L000 0192	2							BULB, 192
8									WIRING, Overhead Lighting
	55196 753AA	2							Assist Handle
	55196 754AA	1							Reading Lamp
9	55196 782AB	1							RETAINER, Headliner

JEEP GRAND CHEROKEE (WJ)

SERIES	LINE	BODY	ENGINE	TRANSMISSION
H = Laredo	J = 4WD	74 = 4 Door	ERH = 4.0L, Power Tech I-6	DGK = 4 Speed Auto, 42RE
M = Sport	T = 2WD		EVA = 4.7L Power Tech V8	DGQ = 5 Speed Auto, 45RFE
P = Limited			EVC = 4.7L HO V8 MPI	DG0 = All Automatic Trans
S = Overland			ER0 = All 4.0L 6 Cyl Gas	
			EVO = All 4.7l Gas	

AR = Use as required - = Non illustrated part # = New this model year

December 1, 2003

Group – 009

Engine Mounting

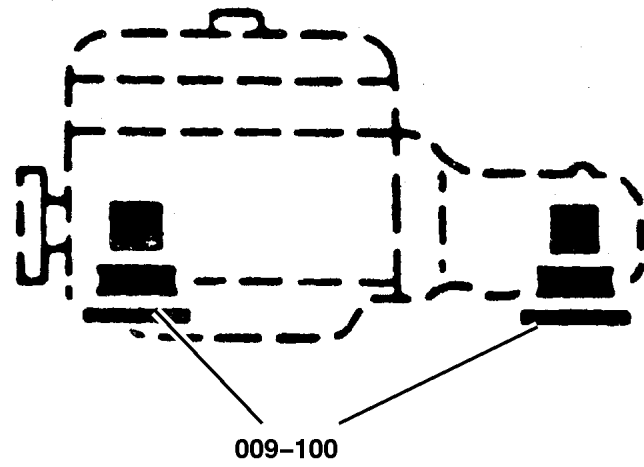
GROUP 9 - Engine Mounting

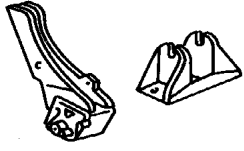
Illustration Title

Group-Fig. No.

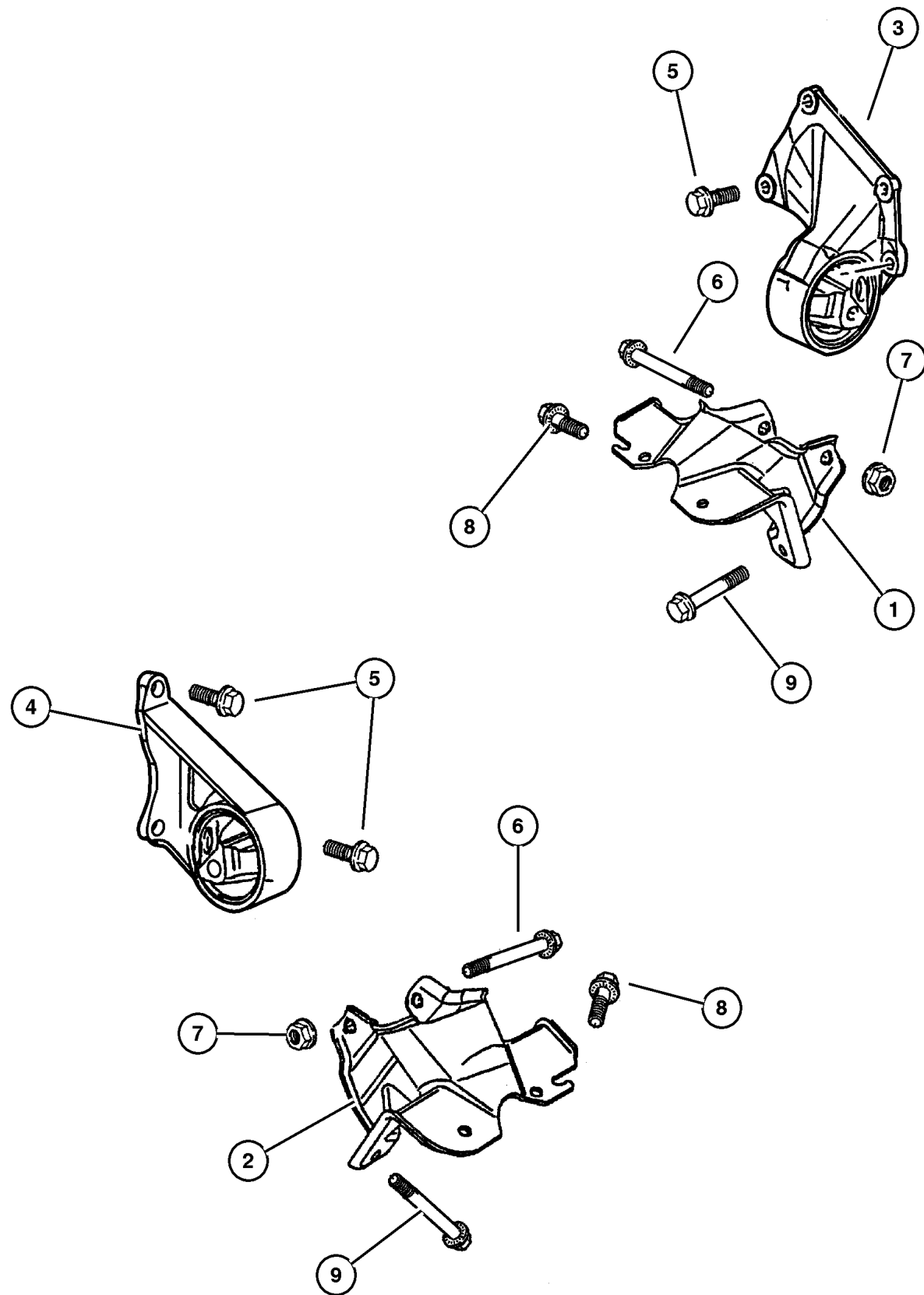
Engine Mounting

Engine Mounting, Front, 4.0 [ERH]	Fig. 009-110
Engine Mounting, Rear, 4.0 [ERH]	Fig. 009-120
Engine Mounting, Front, 4.7 [EVA,EVC]	Fig. 009-130
Engine Mounting, Rear, 4.7 [EVA,EVC]	Fig. 009-140



<p>009-100 Engine Mounting</p> 			
---	--	--	--

**Engine Mounting, Front, 4.0 [ERH]
Figure 009-110**



ITEM	PART NUMBER	QTY	LINE	SERIES	BODY	ENGINE	TRANS	TRIM	DESCRIPTION
Note; Sales Code;									
[ER0]= All 4.0L Gas Engines									
[EV0]= All 4.7L Gas Engines									
1	52058 930AB	1				ER0, EV0			BRACKET, Engine Mount, Right
2	52058 931AC	1				ER0, EV0			BRACKET, Engine Mount, Left
3	5205 8928	1				ER0			INSULATOR, Engine Mount, Right
4	52058 929AB	1				ER0			INSULATOR, Engine Mount, Left
5	6503 699	7				ER0			SCREW AND WASHER, Hex Head, M10x1.5x28
6	3420 2606	2							BOLT, Hex Head
7	6502 697	2							NUT, Hex Flange Lock, M12x1.75
8	6503 119	4							SCREW AND WASHER, Hex Head, M10x1.5x40
9	6506 000AA	4							SCREW AND WASHER

JEEP GRAND CHEROKEE (WJ)

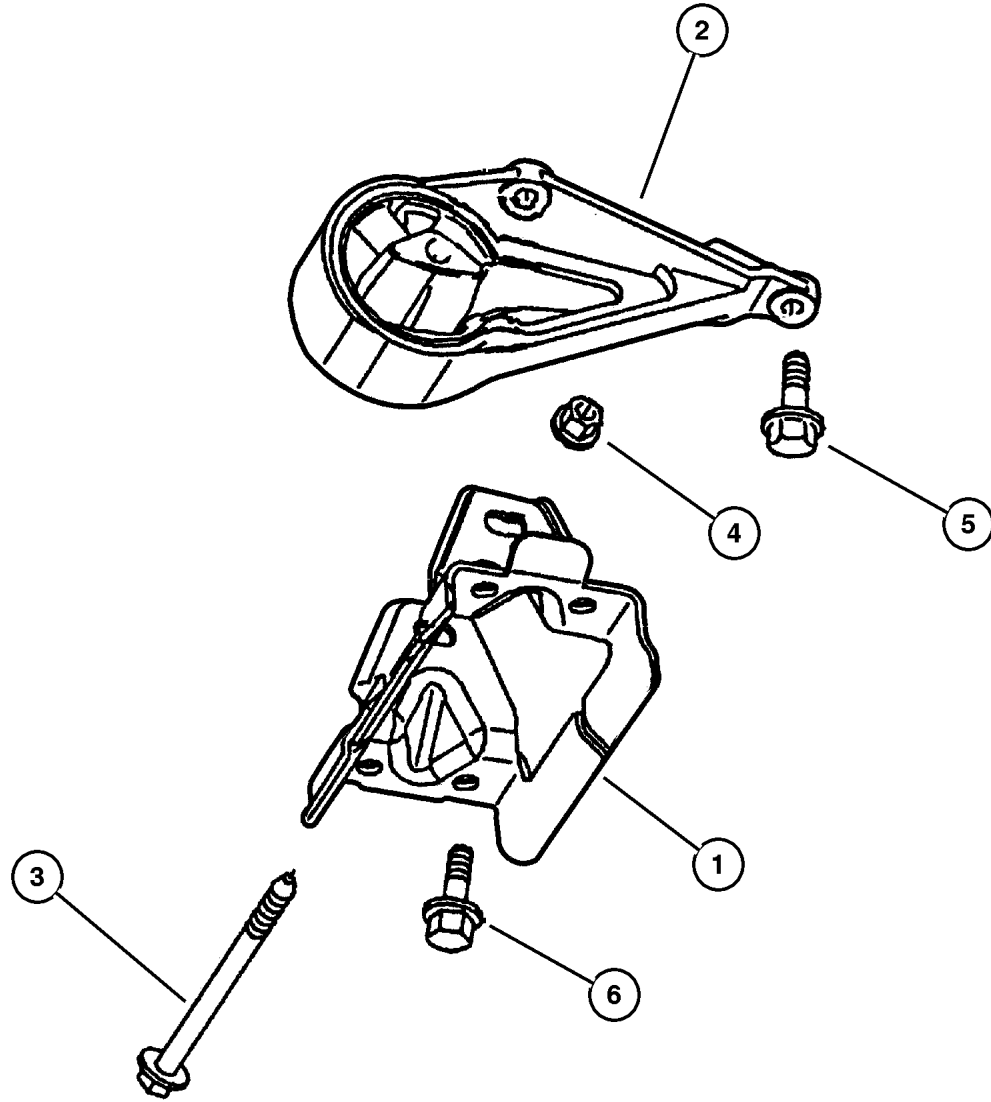
SERIES	LINE	BODY	ENGINE	TRANSMISSION
H = Laredo	J = 4WD	74 = 4 Door	ERH = 4.0L, Power Tech I-6	DGK = 4 Speed Auto, 42RE
M = Sport	T = 2WD		EVA = 4.7L Power Tech V8	DGQ = 5 Speed Auto, 45RFE
P = Limited			EVC = 4.7L HO V8 MPI	DG0 = All Automatic Trans
S = Overland			ER0 = All 4.0L 6 Cyl Gas	
			EV0 = All 4.7L Gas	

AR = Use as required - = Non illustrated part # = New this model year

December 1, 2003

**Engine Mounting, Rear, 4.0 [ERH]
Figure 009-120**

ITEM	PART NUMBER	QTY	LINE	SERIES	BODY	ENGINE	TRANS	TRIM	DESCRIPTION
Note; Sales Codes									
[DGK]= 4 Speed Automatic Transmissions 42RE									
[DG0]= All Automatic Transmissions									
[ER0]= All 4.0L, 6 Cylinder Gas Engines									
[EV0]= All 4.7L Gas Engines									
1	5205 8988	1				ER0			BRACKET, Insulator MOUNT, Transmission
2	5205 8995	1	T			ER0	DGK		
	5205 8994	1	J			ER0	DG0		
3	6504 681	1				ER0			BOLT
4	6502 697	1				ER0, EV0			NUT, Hex Flange Lock, M12x1.75
5	6033 358	4				ER0	DG0		SCREW AND WASHER, Hex Head Locking, .437-14x1.25
6	6506 000AA	4							SCREW AND WASHER



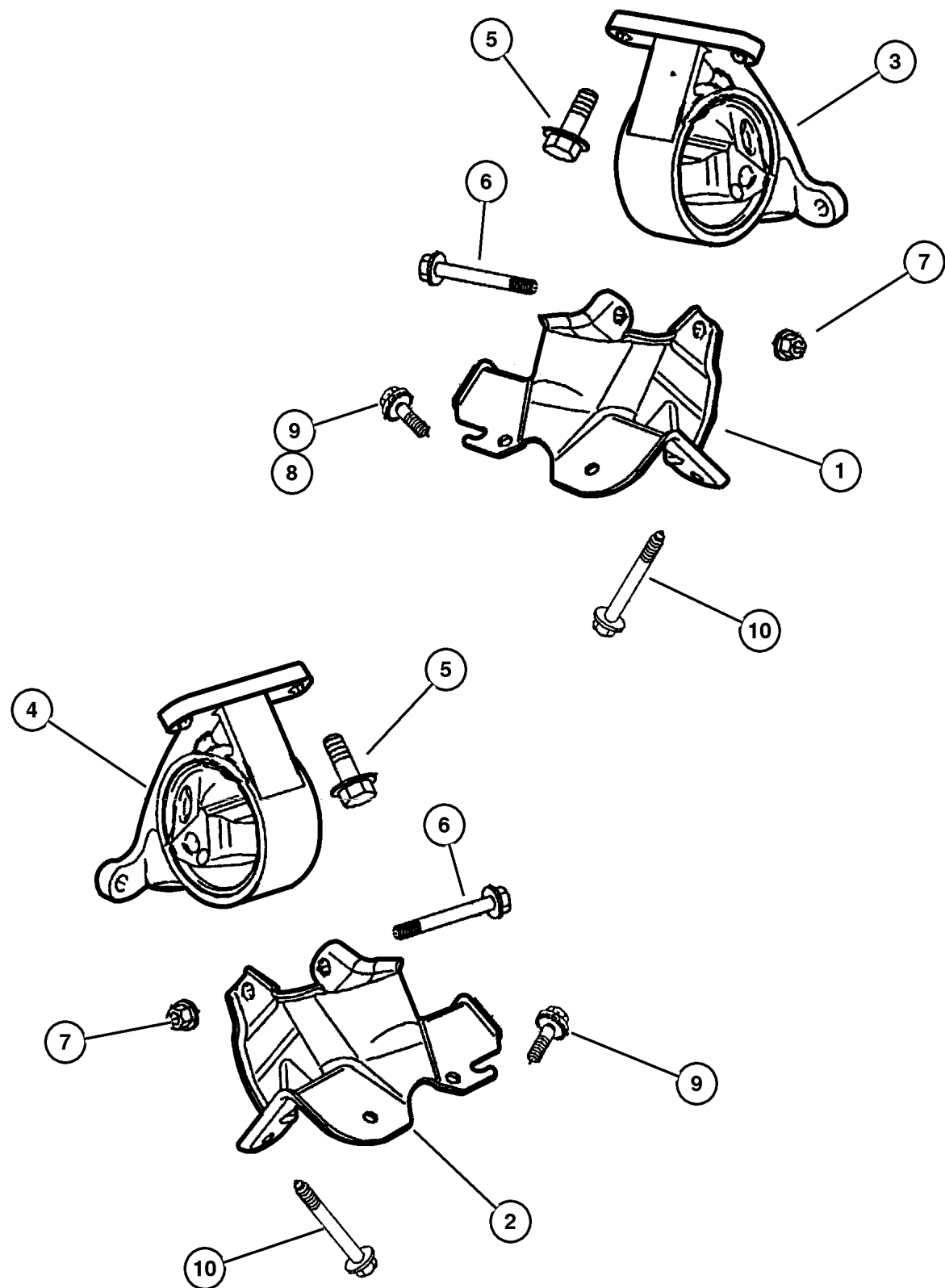
JEEP GRAND CHEROKEE (WJ)

SERIES	LINE	BODY	ENGINE	TRANSMISSION
H = Laredo	J = 4WD	74 = 4 Door	ERH = 4.0L, Power Tech I-6	DGK = 4 Speed Auto, 42RE
M = Sport	T = 2WD		EVA = 4.7L Power Tech V8	DGQ = 5 Speed Auto, 45RFE
P = Limited			EVC = 4.7L HO V8 MPI	DG0 = All Automatic Trans
S = Overland			ER0 = All 4.0L 6 Cyl Gas	
			EV0 = All 4.7L Gas	

AR = Use as required - = Non illustrated part # = New this model year

December 1, 2003

**Engine Mounting, Front, 4.7 [EVA,EVC]
Figure 009-130**

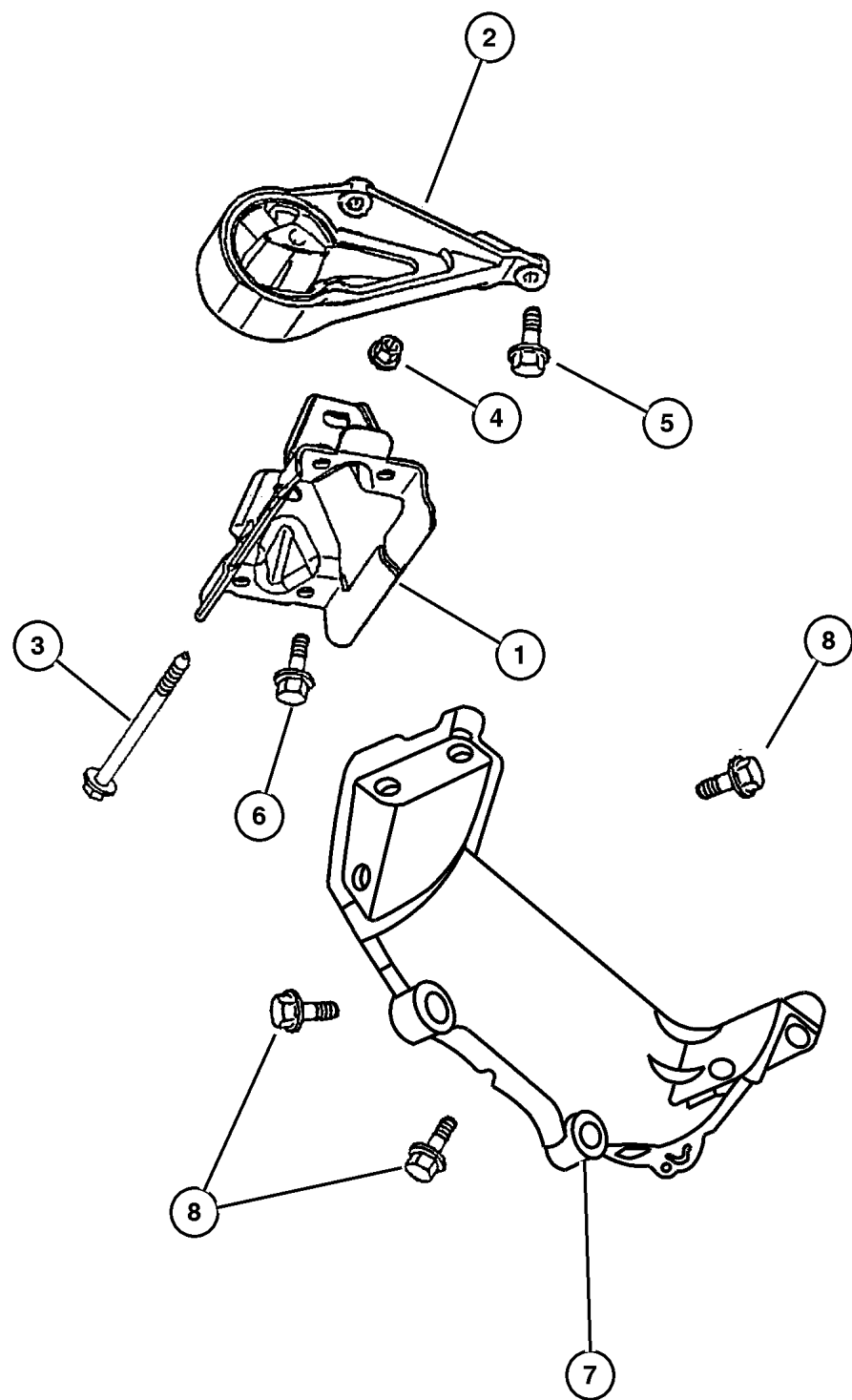


ITEM	PART NUMBER	QTY	LINE	SERIES	BODY	ENGINE	TRANS	TRIM	DESCRIPTION
Note; Sales Codes									
[ER0]= All 4.0L Gas Engines									
[EV0]= All 4.7L Gas Engines									
1	52058 930AB	1				ER0, EV0			BRACKET, Engine Mount, Right
2	52058 931AC	1				ER0, EV0			BRACKET, Engine Mount, Left
3	52058 936AC	1				EV0			INSULATOR, Engine Mount, Right
4	52058 937AC	1				EV0			INSULATOR, Engine Mount, Left
5	6503 699	8				EV0			SCREW AND WASHER, Hex Head, M10x1.5x28
6	3420 2606	2							BOLT, Hex Head
7	6502 697	2							NUT, Hex Flange Lock, M12x1.75
8	6506 134AA	4				ER0, EV0			SCREW AND WASHER, Horizontal
9	6503 119	4							SCREW AND WASHER, Hex Head, M10x1.5x40, Vertical
10	6506 000AA	4							SCREW AND WASHER

JEEP GRAND CHEROKEE (WJ)				
SERIES	LINE	BODY	ENGINE	TRANSMISSION
H = Laredo	J = 4WD	74 = 4 Door	ERH = 4.0L, Power Tech I-6	DGK = 4 Speed Auto, 42RE
M = Sport	T = 2WD		EVA = 4.7L Power Tech V8	DGQ = 5 Speed Auto, 45RFE
P = Limited			EVC = 4.7L HO V8 MPI	DG0 = All Automatic Trans
S = Overland			ER0 = All 4.0L 6 Cyl Gas	
			EV0 = All 4.7L Gas	

AR = Use as required - = Non illustrated part # = New this model year December 1, 2003

**Engine Mounting, Rear, 4.7 [EVA,EVC]
Figure 009-140**



ITEM	PART NUMBER	QTY	LINE	SERIES	BODY	ENGINE	TRANS	TRIM	DESCRIPTION
Note; Sales Codes									
[DG0]= All Automatic Transmissions									
[ER0]= All 4.0L, 6 Cylinder Gas Engines									
[EV0]= All 4.7L Gas Engines									
1									BRACKET, Insulator
	5205 8992	1	T			EV0	DG0		
	5205 8988	1	J			EV0	DG0		
2									MOUNT, Transmission
	5205 8997	1	T			EV0	DG0		
	5205 8996	1	J			EV0	DG0		
3	6504 681	1				EV0			BOLT
4	6502 697	1				ER0, EV0			NUT, Hex Flange Lock, M12x1.75
5	6503 699	4	J			EV0	DG0		SCREW AND WASHER, Hex Head, M10x1.5x28
6	6506 000AA	4							SCREW AND WASHER
7	5302 0885	1				EV0	DG0		COVER, Bedplate
8	6101 985	8				EV0			SCREW AND WASHER, M10x1. 50x45.00

JEEP GRAND CHEROKEE (WJ)

SERIES	LINE	BODY	ENGINE	TRANSMISSION
H = Laredo	J = 4WD	74 = 4 Door	ERH = 4.0L, Power Tech I-6	DGK = 4 Speed Auto, 42RE
M = Sport	T = 2WD		EVA = 4.7L Power Tech V8	DGQ = 5 Speed Auto, 45RFE
P = Limited			EVC = 4.7L HO V8 MPI	DG0 = All Automatic Trans
S = Overland			ER0 = All 4.0L 6 Cyl Gas	
			EV0 = All 4.7L Gas	

AR = Use as required - = Non illustrated part # = New this model year

December 1, 2003

Group – 4.0L

Engine 4.0L Six Cylinder

GROUP 4.0L - Engine 4.0L Six Cylinder

Illustration Title

Group-Fig. No.

Cylinder Head

Cylinder Head, 4.0 [ERH] Fig. 4.0L-210

Cylinder Block

Cylinder Block, 4.0 [ERH] Fig. 4.0L-310

Crankshaft, Piston and Torque Converter

Crankshaft, Piston and Torque Converter, 4.0 [ERH] Fig. 4.0L-410

Camshafts & Valves

Camshaft and Valves, 4.0 [ERH] Fig. 4.0L-510

Timing Belt and Cover

Timing Belt and Cover, 4.0 [ERH] Fig. 4.0L-610

Engine Oiling

Engine Oiling, 4.0 [ERH] Fig. 4.0L-710

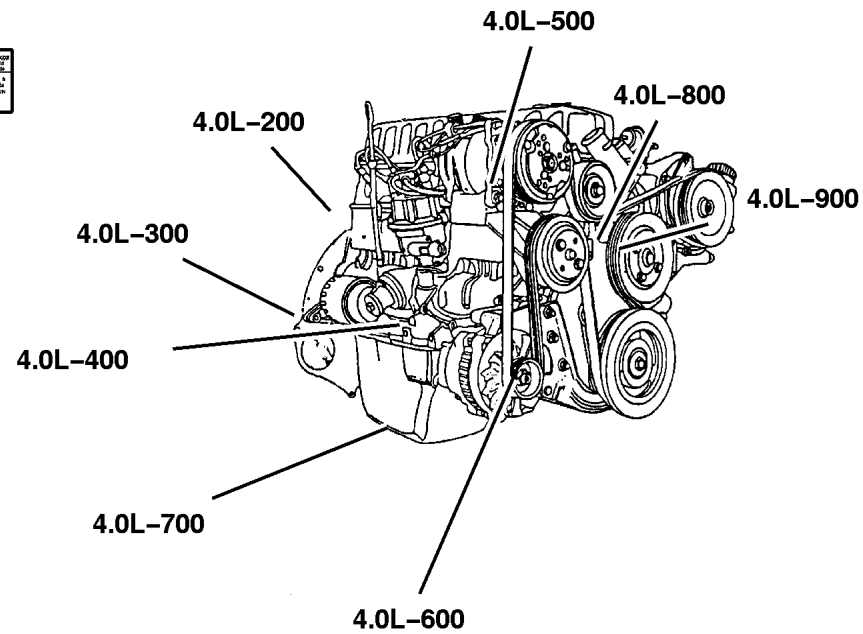
Manifolds

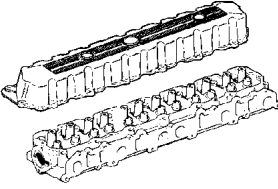
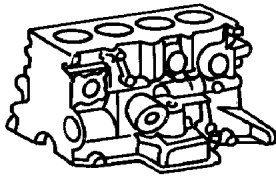
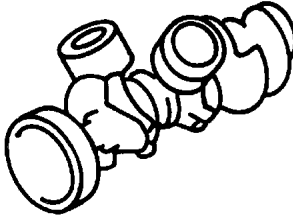
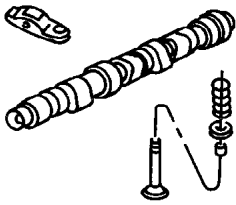
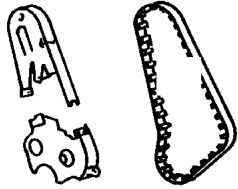
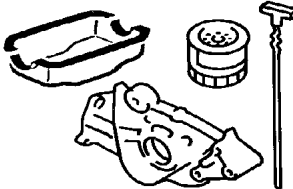
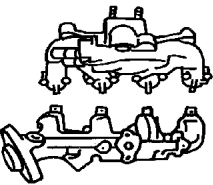
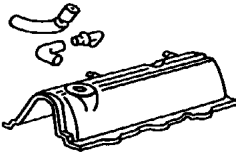
Manifold, Intake and Exhaust, 4.0 (ERH) Fig. 4.0L-810

Crankcase Ventilation

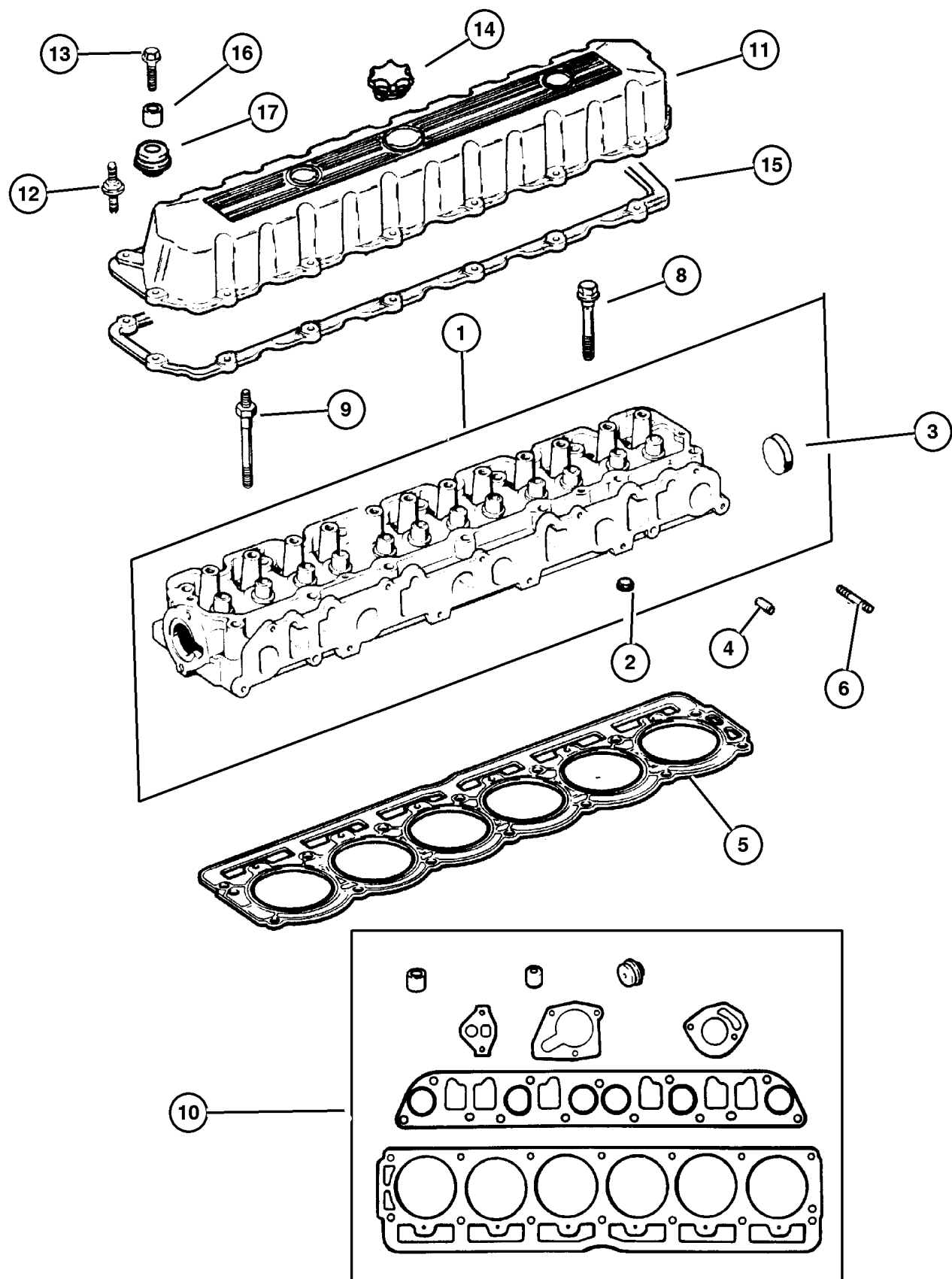
Crankcase Ventilation, 4.0 [ERH] Fig. 4.0L-910

REV.	DATE	BY	CHKD.	DESCRIPTION



<p>4.0L-200 Cylinder Head</p> 	<p>4.0L-300 Cylinder Block</p> 	<p>4.0L-400 Crankshaft, Piston and Torque Converter</p> 	<p>4.0L-500 Camshafts & Valves</p> 
<p>4.0L-600 Timing Belt and Cover</p> 	<p>4.0L-700 Engine Oiling</p> 	<p>4.0L-800 Manifolds</p> 	<p>4.0L-900 Crankcase Ventilation</p> 

**Cylinder Head, 4.0 [ERH]
Figure 4.0L-210**



ITEM	PART NUMBER	QTY	LINE	SERIES	BODY	ENGINE	TRANS	TRIM	DESCRIPTION
Note; Sales Codes									
[ER0]= All 4.0L, 6 Cylinder Gas Engines									
1	5301 0334	1				ER0			HEAD, Cylinder
2	J400 7434	4				ER0			PLUG, Cylinder Block Oil Hole
3	J310 5394	1				ER0			PLUG, Cylinder Block Oil Hole
4	J317 2318	2				ER0			DOWEL, Cylinder Head To Intake
5	53010 587AA	1				ER0			GASKET, Cylinder Head
6	6036 193AA	2				ER0			STUD, .375-16/.375-24x1.75, Head To Exhaust Manifold Outboard
-7	6036 162AA	1				ER0			STUD, Double Ended, Cylinder Head Mounting, [.500-13/.437-14x6.00]
8	6035 514	5				ER0			BOLT, Cylinder Head
	6035 515	2				ER0			
9	6035 516	6				ER0			STUD, Double Ended, .50-13/.437-14x6.00
10	5012 365AC	1				ER0			GASKET PACKAGE, Engine Upper
11	5302 0323	1				ER0			COVER, Cylinder Head
12	6035 968AA	8				ER0			STUD, .250-20x2.00
13	6035 566	7				ER0			BOLT, Hex Flange Head, .250-20x1.00
14	4648 831AA	1				ER0			CAP, Oil Filler
15	53020 758AC	1				ER0			GASKET, Valve Cover
16	53020 598AB	15				ER0			SLEEVE, Torque Limiter
17	5301 0424	15				ER0			GROMMET, Insulator

JEEP GRAND CHEROKEE (WJ)

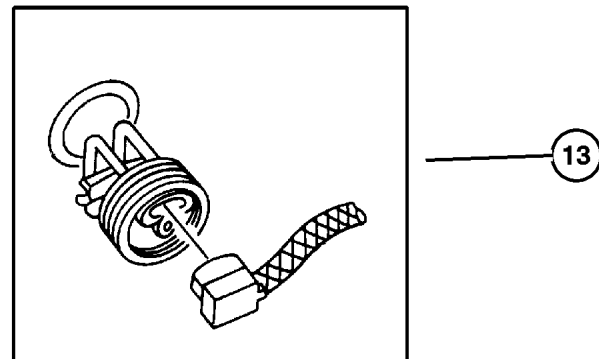
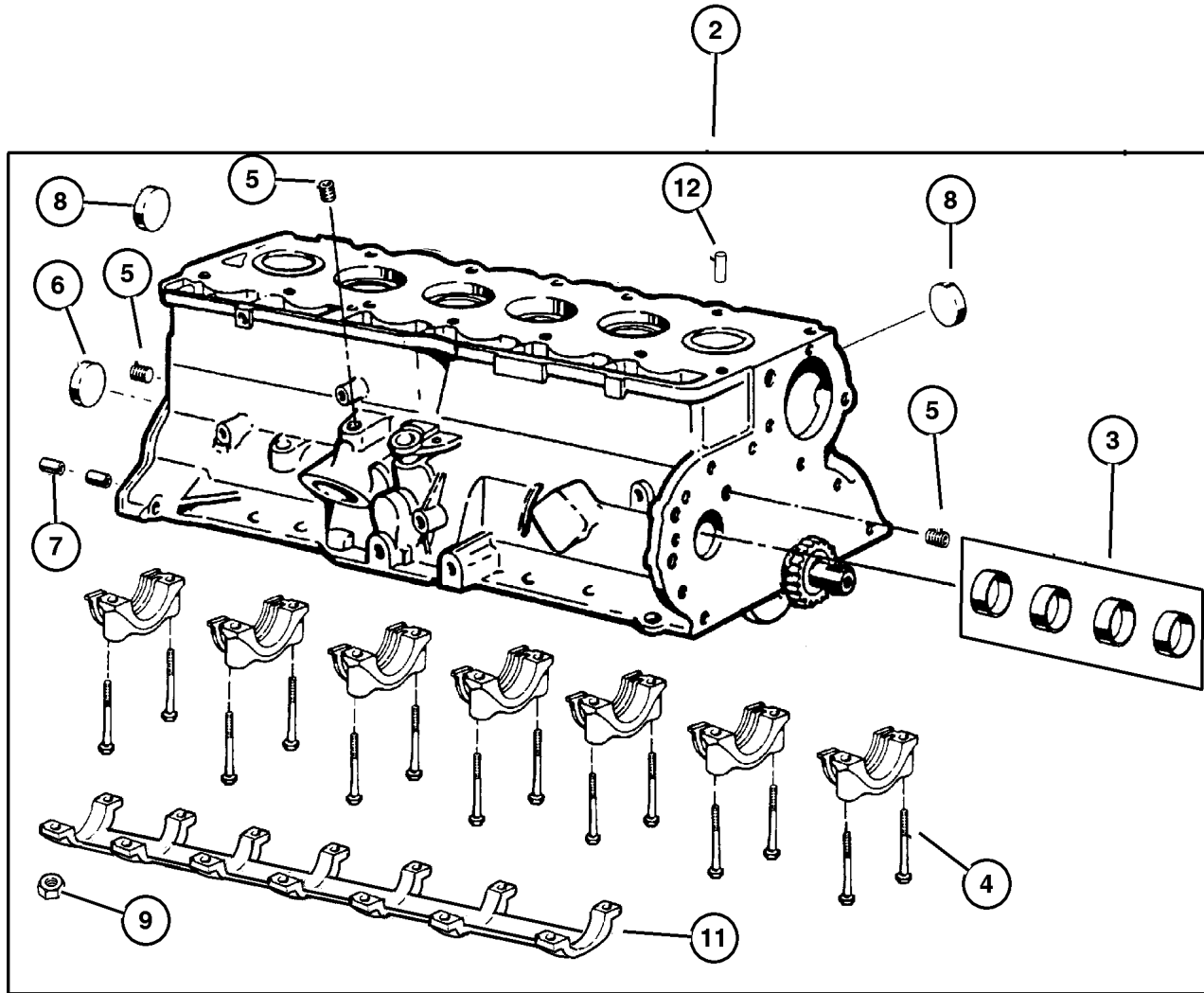
SERIES	LINE	BODY	ENGINE	TRANSMISSION
H = Laredo	J = 4WD	74 = 4 Door	ERH = 4.0L, Power Tech I-6	DGK = 4 Speed Auto, 42RE
M = Sport	T = 2WD		EVA = 4.7L Power Tech V8	DGQ = 5 Speed Auto, 45RFE
P = Limited			EVC = 4.7L HO V8 MPI	DG0 = All Automatic Trans
S = Overland			ER0 = All 4.0L 6 Cyl Gas	
			EVO = All 4.7L Gas	

AR = Use as required - = Non illustrated part # = New this model year

December 1, 2003

**Cylinder Block, 4.0 [ERH]
Figure 4.0L-310**

ITEM	PART NUMBER	QTY	LINE	SERIES	BODY	ENGINE	TRANS	TRIM	DESCRIPTION
NOTES; Short Block Contains: Crank, Rods, Pistons, Rings, Cam Bearings, Timing Chain, Sprockets									
Sales Codes									
[ER0]= All 4.0L, 6 Cylinder Gas Engines									
-1	5017 432AB	1				ER0			GASKET PACKAGE, Engine Lower
2	5013 161AD	1				ER0			BLOCK, Short, See Notes
3	4636 985AC	1				ER0			BEARING PACKAGE, Camshaft, Standard Size
4	6035 207	14				ER0			STUD, .500-13/.375-16x3.97
5	6034 166	3				ER0			PLUG, Cylinder Block Oil Hole
6	J317 2313	1				ER0			PLUG, Camshaft
7	J400 5148	2				ER0			DOWEL, Transmission
8	J310 5394	6				ER0			PLUG, Cylinder Block Oil Hole
9	0152 474	14				ER0			NUT, Hex Flange Lock, .375-16
-10	5302 0465	1				ER0			PLUG, Cylinder Block, Rubber Type
11	5302 0566	1				ER0			BRACE, Main Bearing Cap
12	0141 215	2				ER0			DOWEL, .312 x .500
13	8220 1506	1				ER0			HEATER PACKAGE, Engine Block



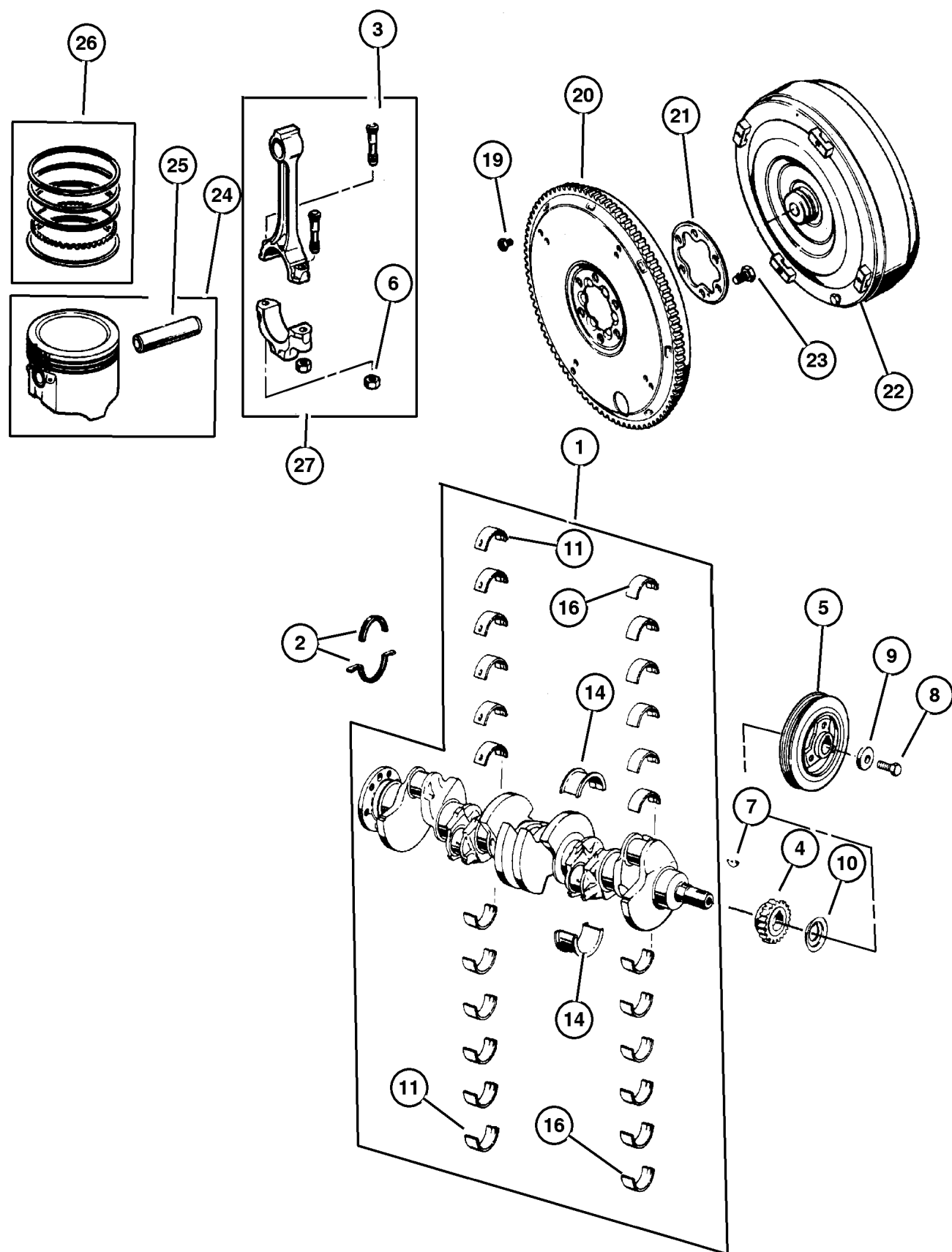
JEEP GRAND CHEROKEE (WJ)

SERIES	LINE	BODY	ENGINE	TRANSMISSION
H = Laredo	J = 4WD	74 = 4 Door	ERH = 4.0L, Power Tech I-6	DGK = 4 Speed Auto, 42RE
M = Sport	T = 2WD		EVA = 4.7L Power Tech V8	DGQ = 5 Speed Auto, 45RFE
P = Limited			EVC = 4.7L HO V8 MPI	DG0 = All Automatic Trans
S = Overland			ER0 = All 4.0L 6 Cyl Gas	
			EVO = All 4.7L Gas	

AR = Use as required - = Non illustrated part # = New this model year

December 1, 2003

**Crankshaft, Piston and Torque Converter, 4.0 [ERH]
Figure 4.0L-410**



ITEM	PART NUMBER	QTY	LINE	SERIES	BODY	ENGINE	TRANS	TRIM	DESCRIPTION
Note; Sales Codes									
[DG0]= All Automatic Transmissions									
[ER0]= All 4.0L, 6 Cylinder Gas Engines									
1	4864 726AD	1				ER0	DG0		CRANKSHAFT
2	5018 594AA	1				ER0			SEAL PACKAGE, Crankshaft
3	5302 0123	12				ER0			BOLT, Connecting Rod
4	5302 0443	1				ER0			GEAR, Crankshaft
5	33002 920AB	1				ER0			DAMPER, Crankshaft
6	J400 6385	12				ER0			NUT, Hex Flange, .3437-24
7	6034 749	1				ER0			KEY, Crankshaft Sprocket
8	0182 776	1				ER0			BOLT
9	J323 0155	1				ER0			WASHER, Plain
10									SLINGER, Oil, (NOT REQUIRED)
11	83507 079AB	6				ER0			BEARING PACKAGE, Crankshaft, Standard
-12	83507 080AB	AR				ER0			BEARING PACKAGE, Crankshaft, .001 Undersize
-13	#83507 081AB	AR				ER0			BEARING PACKAGE, Crankshaft, .002" U/S
14	83507 084AB	1				ER0			BEARING PACKAGE, Crankshaft Thrust, Standard Size
-15	83507 086AB	AR				ER0			BEARING PACKAGE, Crankshaft Thrust, .001" Undersize
16	83500 300AC	12				ER0			BEARING KIT, Connecting Rod, Standard
-17	83501 397AC	AR				ER0			BEARING KIT, Connecting Rod, .001 Undersize
-18	83500 301AC	AR				ER0			BEARING PACKAGE, Connecting Rod, .010 Undersize
19	1949 765	4					DG0		SCREW, Hex Head Header Point, .312-24x.44
20	5211 8257	1				ER0	DG0		PLATE, Drive Plate
21	J321 4094	1				ER0	DG0		PLATE, Drive Plate Backing
22	4736 596AB	1				ER0	DG0		CONVERTER PACKAGE, Torque
23	J315 1407	6				ER0	DG0		BOLT, Hex Head, .50-20x.56
24									PISTON PIN AND ROD
	4798 329AC	6				ER0			B Size, 3.872
	4798 330AC	6				ER0			C Size, 3.8746
	4798 331AC	6				ER0			D Size, 3.8750
	4798 332AC	6				ER0			E Size, 3.8754
	4798 333AC	6				ER0			F Size, 3.8758

JEEP GRAND CHEROKEE (WJ)

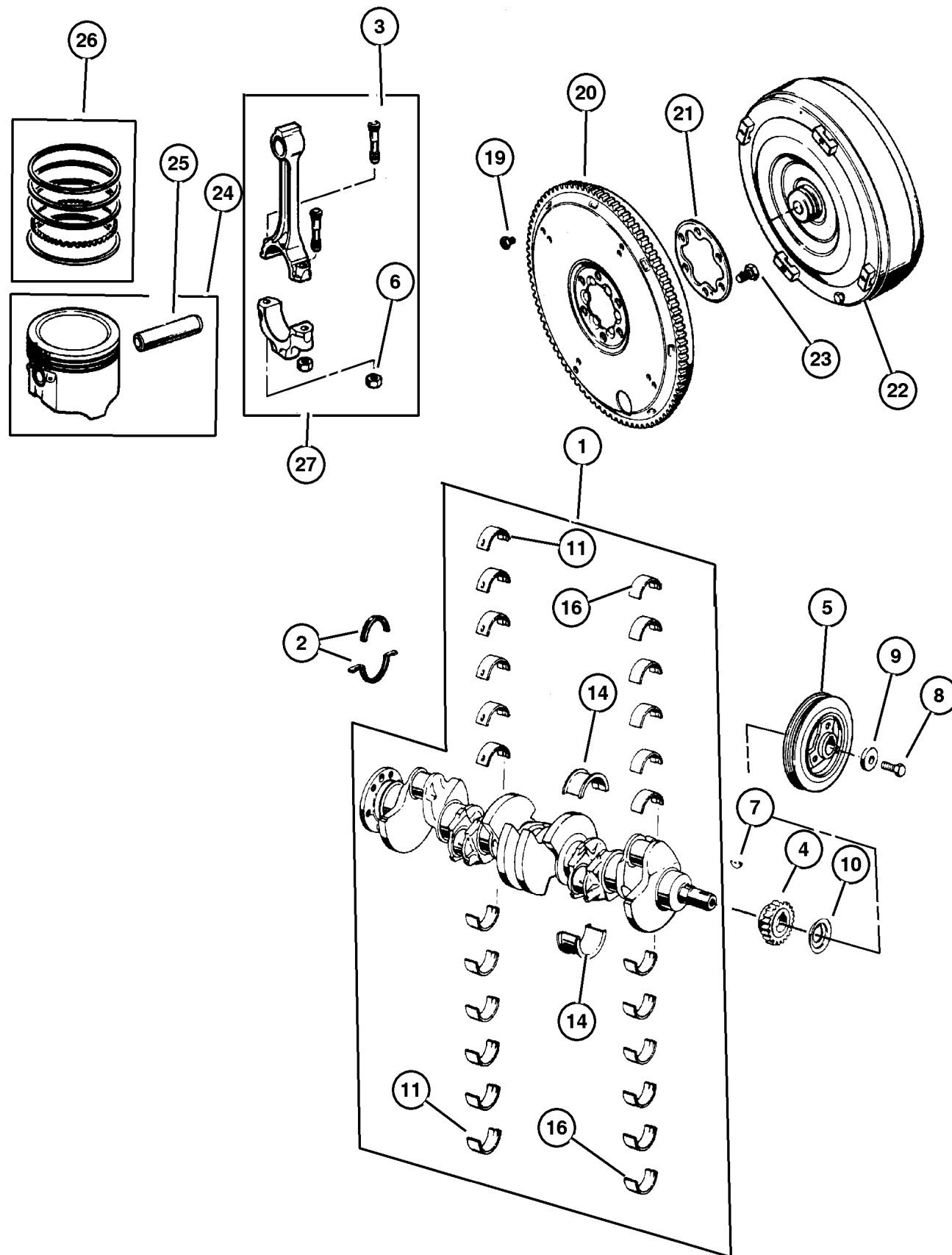
SERIES	LINE	BODY	ENGINE	TRANSMISSION
H = Laredo	J = 4WD	74 = 4 Door	ERH = 4.0L, Power Tech I-6	DGK = 4 Speed Auto, 42RE
M = Sport	T = 2WD		EVA = 4.7L Power Tech V8	DGQ = 5 Speed Auto, 45RFE
P = Limited			EVC = 4.7L HO V8 MPI	DG0 = All Automatic Trans
S = Overland			ER0 = All 4.0L 6 Cyl Gas	
			EVO = All 4.7L Gas	

AR = Use as required - = Non illustrated part # = New this model year

December 1, 2003

**Crankshaft, Piston and Torque Converter, 4.0 [ERH]
Figure 4.0L-410**

ITEM	PART NUMBER	QTY	LINE	SERIES	BODY	ENGINE	TRANS	TRIM	DESCRIPTION
25									PIN, Piston, Serviced in Piston, (NOT SERVICED) (Not Serviced)
26	4798 878	1				ER0			RING PACKAGE, Piston, Standard Size Complete Engine
27									ROD, Connecting, Serviced in Piston, (NOT SERVICED) (Not Serviced)



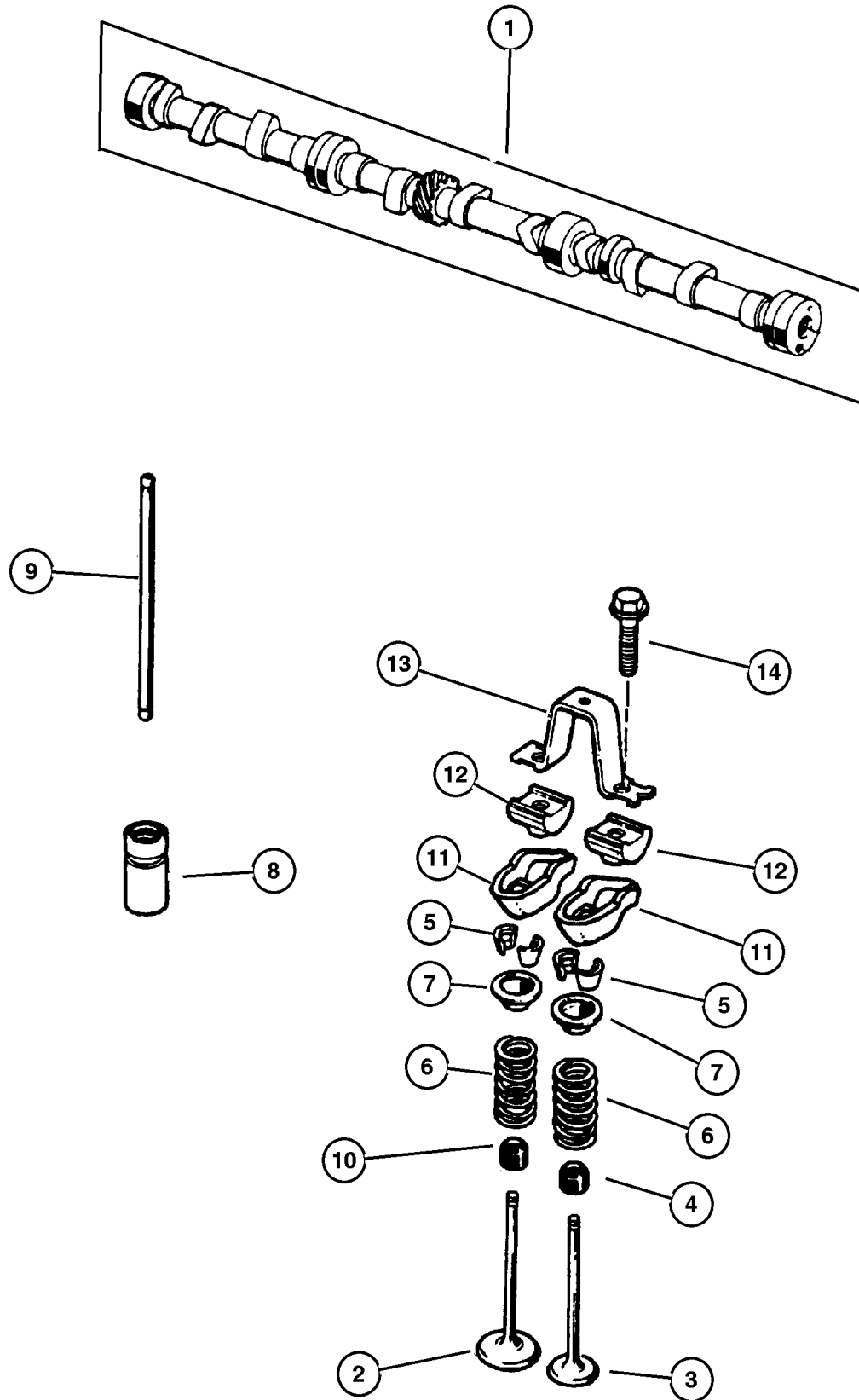
JEEP GRAND CHEROKEE (WJ)

SERIES	LINE	BODY	ENGINE	TRANSMISSION
H = Laredo	J = 4WD	74 = 4 Door	ERH = 4.0L, Power Tech I-6	DGK = 4 Speed Auto, 42RE
M = Sport	T = 2WD		EVA = 4.7L Power Tech V8	DGQ = 5 Speed Auto, 45RFE
P = Limited			EVC = 4.7L HO V8 MPI	DG0 = All Automatic Trans
S = Overland			ER0 = All 4.0L 6 Cyl Gas	
			EVO = All 4.7L Gas	

AR = Use as required - = Non illustrated part # = New this model year

December 1, 2003

Camshaft and Valves, 4.0 [ERH]
Figure 4.0L-510



ITEM	PART NUMBER	QTY	LINE	SERIES	BODY	ENGINE	TRANS	TRIM	DESCRIPTION
Note; Sales Codes									
[ER0]= All 4.0L, 6 Cylinder Gas Engines									
1	53010 448AA	1				ER0			CAMSHAFT
2	53010 512AA	6				ER0			VALVE, Intake, Standard
3	53010 513AA	6				ER0			VALVE, Exhaust, Standard
4	5300 9887	6				ER0			SEAL, Valve Guide, Exhaust
5	53010 515AA	24				ER0			LOCK, Valve Spring Retainer
6	5301 0388	12				ER0			SPRING, Valve
7	53010 514AA	12				ER0			RETAINER, Valve Spring
8	53010 574AB	12				ER0			TAPPET, Valve
9	3300 2986	12				ER0			PUSH ROD, Valve
10	5300 9886	6				ER0			SEAL, Valve Guide, Intake
11	J324 2393	12				ER0			ROCKER ARM, Valve
12	J323 5090	12				ER0			PIVOT, Rocker Arm
13	J323 6513	6				ER0			BRIDGE, Rocker Arm
14	J942 5708	12				ER0			BOLT, Hex Flange Head, .312-18x1.25

JEEP GRAND CHEROKEE (WJ)

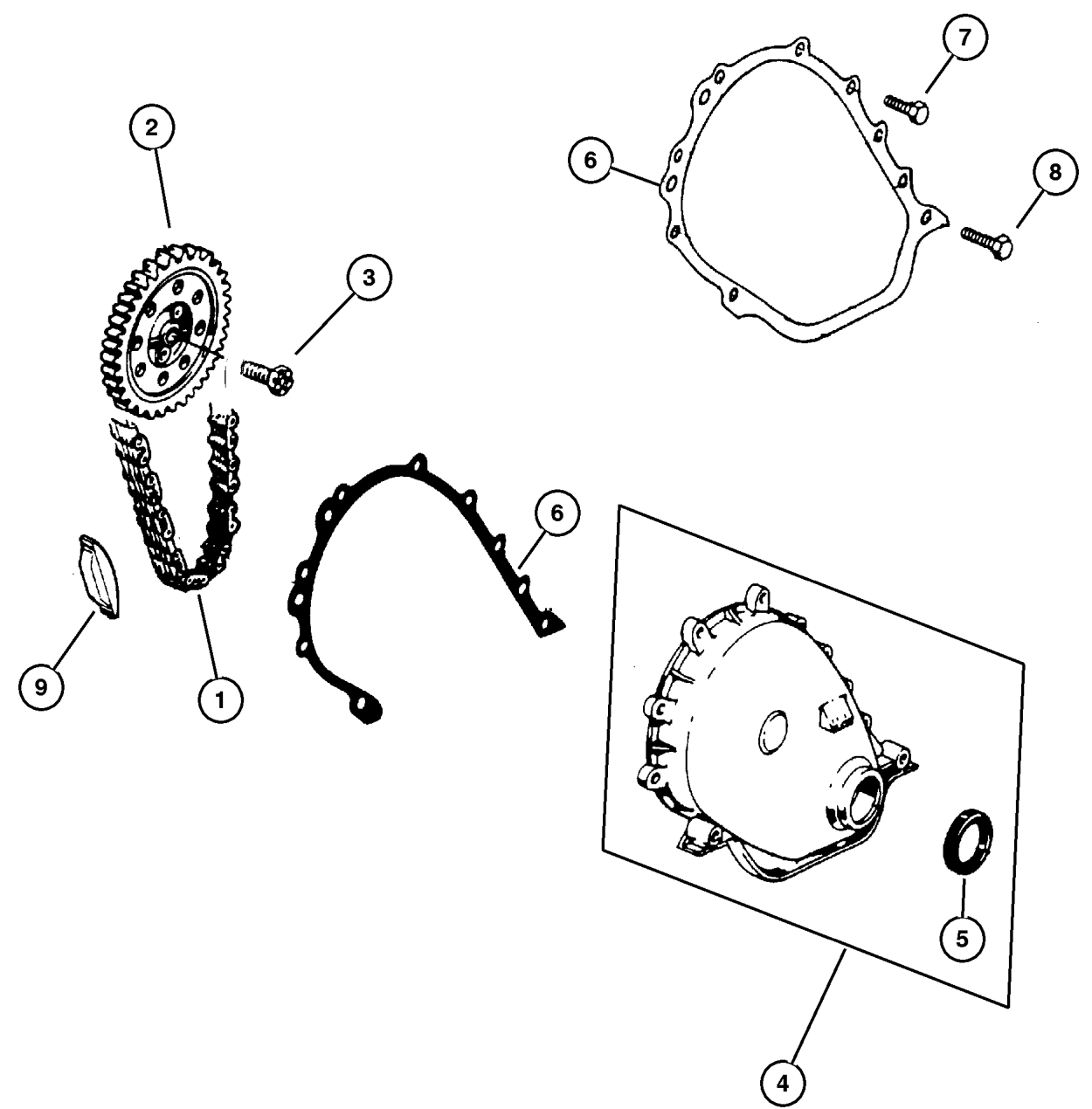
SERIES	LINE	BODY	ENGINE	TRANSMISSION
H = Laredo	J = 4WD	74 = 4 Door	ERH = 4.0L, Power Tech I-6	DGK = 4 Speed Auto, 42RE
M = Sport	T = 2WD		EVA = 4.7L Power Tech V8	DGQ = 5 Speed Auto, 45RFE
P = Limited			EVC = 4.7L HO V8 MPI	DG0 = All Automatic Trans
S = Overland			ER0 = All 4.0L 6 Cyl Gas	
			EVO = All 4.7L Gas	

AR = Use as required - = Non illustrated part # = New this model year

December 1, 2003

**Timing Belt and Cover, 4.0 [ERH]
Figure 4.0L-610**

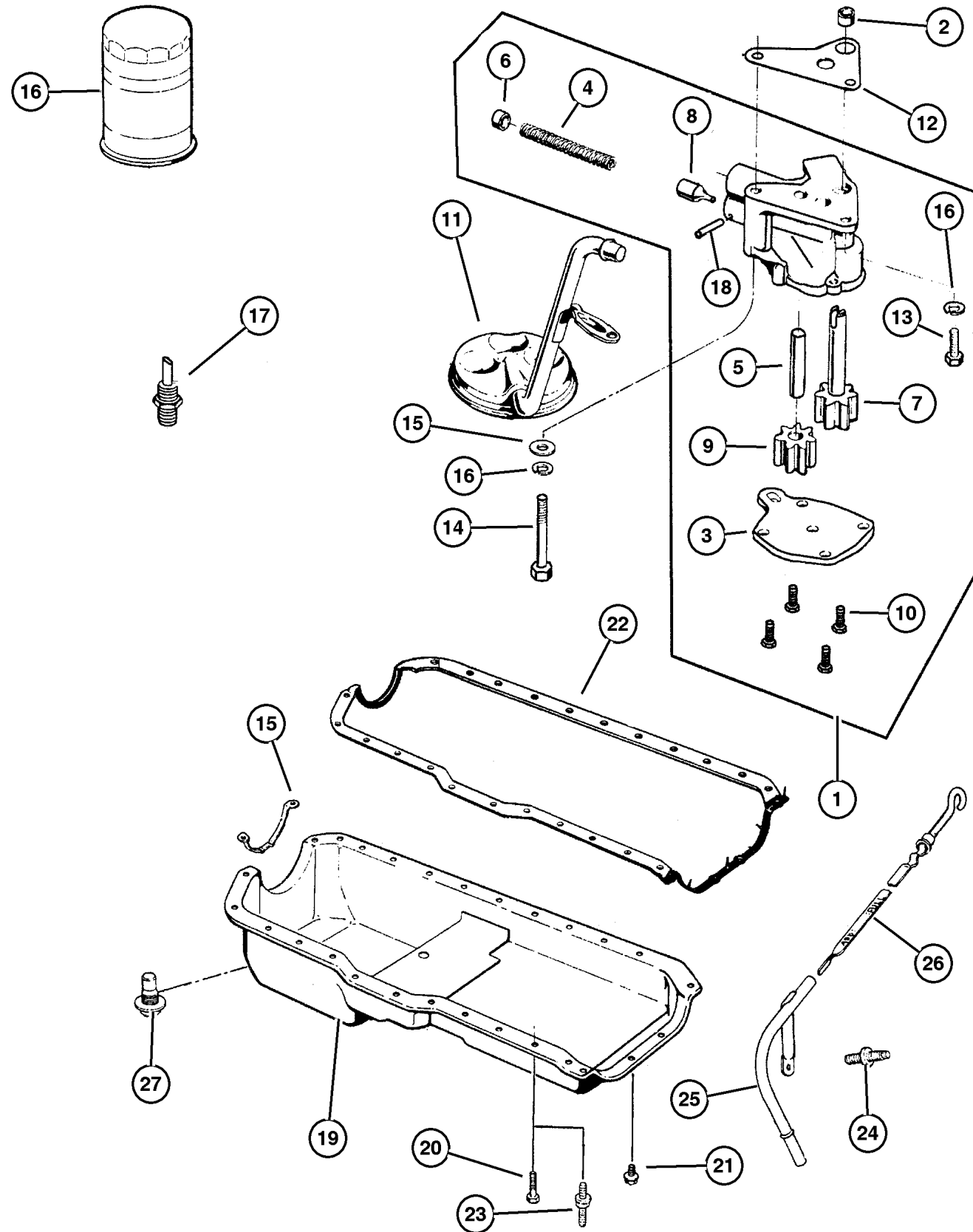
ITEM	PART NUMBER	QTY	LINE	SERIES	BODY	ENGINE	TRANS	TRIM	DESCRIPTION
Note; Sales Codes									
[ER0]= All 4.0L, 6 Cylinder Gas Engines									
1	5302 0444	1				ER0			CHAIN, Timing
2	53010 557AA	1				ER0			SPROCKET, Camshaft
3	6024 030	1				ER0			SCREW AND WASHER, Hex
4	5301 0421	1				ER0			COVER, Timing Belt
5	3300 4681	1				ER0			SEAL, Front Main Crankshaft, Also Serviced With Item#5
6	5302 0487	1				ER0			GASKET, Front Cover
7	6035 893	5				ER0			BOLT, Hex
8	6035 894	2				ER0			SCREW .312-18x1.56
	6035 895	2				ER0			.250-20x1.240
9	3300 3446	1				ER0			SNUBBER, Timing Chain
-10	5301 0401	1				ER0			PLATE, Camshaft Thrust
-11	6035 975AA	2				ER0			SCREW, Pan Head



JEEP GRAND CHEROKEE (WJ)				
SERIES	LINE	BODY	ENGINE	TRANSMISSION
H = Laredo	J = 4WD	74 = 4 Door	ERH = 4.0L, Power Tech I-6	DGK = 4 Speed Auto, 42RE
M = Sport	T = 2WD		EVA = 4.7L Power Tech V8	DGQ = 5 Speed Auto, 45RFE
P = Limited			EVC = 4.7L HO V8 MPI	DG0 = All Automatic Trans
S = Overland			ER0 = All 4.0L 6 Cyl Gas	
			EVO = All 4.7L Gas	

AR = Use as required - = Non illustrated part # = New this model year December 1, 2003

**Engine Oiling, 4.0 [ERH]
Figure 4.0L-710**



ITEM	PART NUMBER	QTY	LINE	SERIES	BODY	ENGINE	TRANS	TRIM	DESCRIPTION
Note; Sales Codes									
[ER0]= All 4.0L, 6 Cylinder Gas Engines									
1	J324 1399	1				ER0			PUMP, Engine Oil
2	J400 5149	1				ER0			DOWEL, Oil Pump
3	J324 1733	1				ER0			COVER, Engine Oil Pump
4	J323 9668	1				ER0			SPRING, Oil Pressure Relief Valve
5	J317 1956	1				ER0			SHAFT, Oil Pump
6	J317 1958	1				ER0			RETAINER, Oil Release Valve
7	J317 2334	1				ER0			GEAR, Oil Pump
8	J318 8661	1				ER0			PLUNGER, Oil Pressure Relief Valve
9	J319 6843	1				ER0			GEAR, Oil Pump Driven
10	J941 6852	4				ER0			SCREW, Hex Flange Head, .25-20x.50
11	3300 2696	1				ER0			TUBE, Oil Pump Inlet
12	J317 2332	1				ER0			GASKET, Oil Pump
13	6022 235	1				ER0			BOLT AND WASHER, Hex Head, .312-18x1.00
14	0154 593	1				ER0			SCREW, Hex Head Coned, .312-18x2.625
15	53010 511AA	1				ER0			SUPPORT, Engine Oil Pan
16	5281 090	1				ER0			FILTER, Engine Oil
17	5300 7563	1				ER0			CONNECTOR, Oil Filter
18	J027 1448	1				ER0			PIN, Roll, 5/32" x 1.00"
19	53010 340AB	1				ER0			PAN, Engine Oil
20	6034 732	17				ER0			SCREW AND WASHER, Hex Head, .25-20x.545
21	6036 407AA	4				ER0			SCREW, Hex Head Coned, .312-18x.875
22	53007 568AC	1				ER0			GASKET, Oil Pan
23	6034 734	7				ER0			BOLT, Double Stud Hex, .250-20x1.437 & .250-20 x.700
24	6035 664	1				ER0			STUD, .312-18x1.560
25	5302 0782	1				ER0			TUBE, Oil Filler
26	5301 0445	1				ER0			INDICATOR, Engine Oil Level
27	6035 417	1				ER0			PLUG, Oil Drain
28	53010 615AA	1				ER0			DRIVE, OIL PUMP

JEEP GRAND CHEROKEE (WJ)

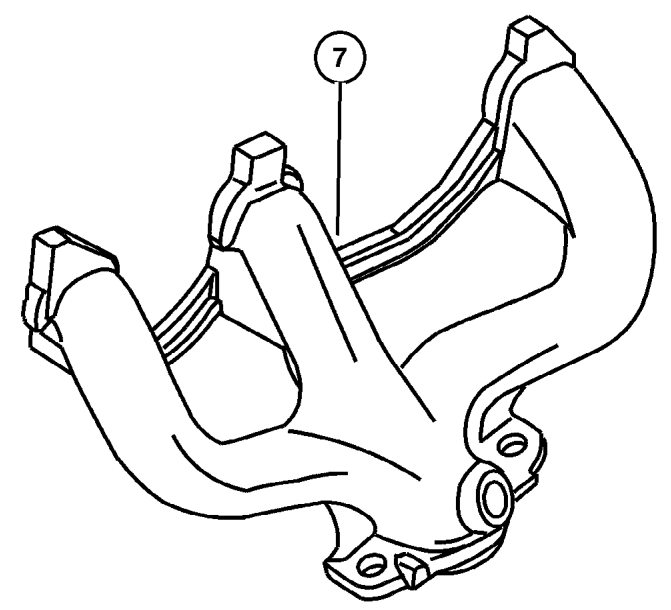
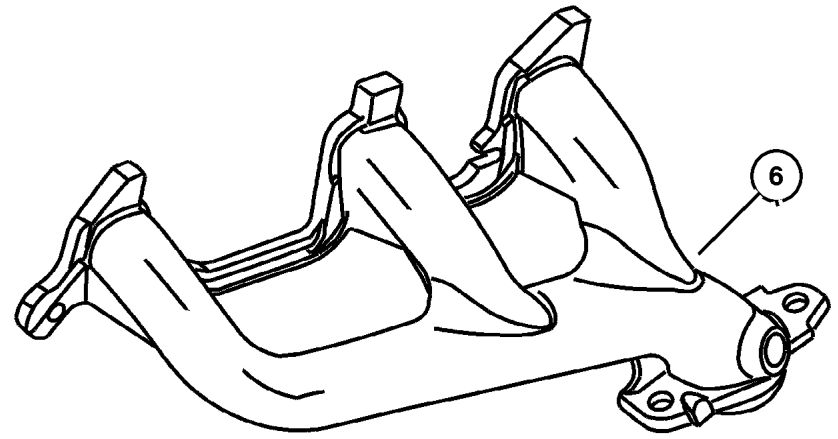
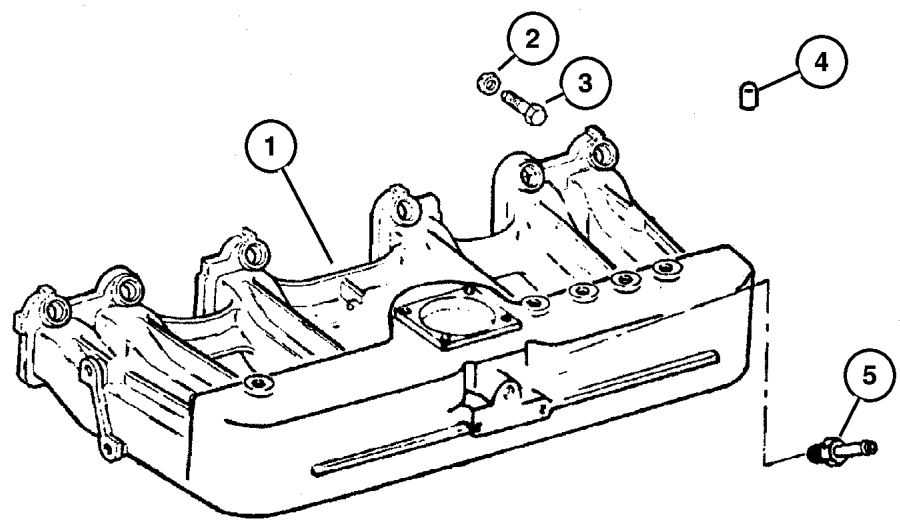
SERIES	LINE	BODY	ENGINE	TRANSMISSION
H = Laredo	J = 4WD	74 = 4 Door	ERH = 4.0L, Power Tech I-6	DGK = 4 Speed Auto, 42RE
M = Sport	T = 2WD		EVA = 4.7L Power Tech V8	DGQ = 5 Speed Auto, 45RFE
P = Limited			EVC = 4.7L HO V8 MPI	DG0 = All Automatic Trans
S = Overland			ER0 = All 4.0L 6 Cyl Gas	
			EVO = All 4.7L Gas	

AR = Use as required - = Non illustrated part # = New this model year

December 1, 2003

**Manifold, Intake and Exhaust, 4.0 (ERH)
Figure 4.0L-810**

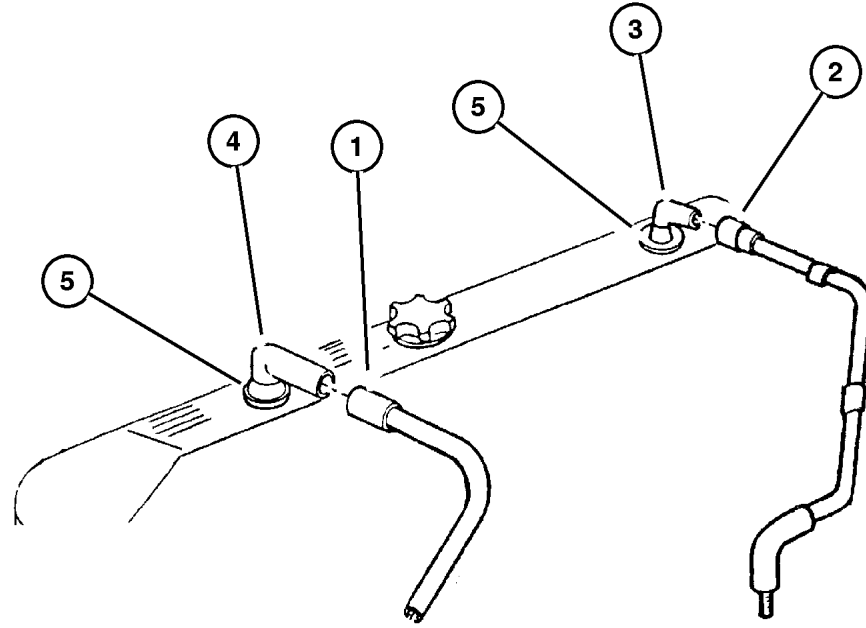
ITEM	PART NUMBER	QTY	LINE	SERIES	BODY	ENGINE	TRANS	TRIM	DESCRIPTION
NOTE: [ER0]=All 4.0L, 6 Cylinder Gas Engines									
1	4854 197AB	1				ER0			MANIFOLD, Intake
2	6036 171AA	2				ER0			NUT AND WASHER
3	6036 045AA	8				ER0			BOLT AND RETAINER, Hex Head
4	3580 172	1							CAP, Vacuum
5	4854 194	1				ER0			FITTING, Vacuum
6	5301 0196	1				ER0			MANIFOLD, Exhaust, Exhaust Front Machining
7	5301 0199	1				ER0			MANIFOLD, Exhaust, Exhaust Rear Machining
-8	4854 038	1				ER0			GASKET, Intake/Exhaust Manifold
-9	6036 193AA	2				ER0			STUD, .375-16/.375-24x1.75
-10	6506 546AA	2				ER0			NUT, Exhaust Manifold



JEEP GRAND CHEROKEE (WJ)				
SERIES	LINE	BODY	ENGINE	TRANSMISSION
H = Laredo	J = 4WD	74 = 4 Door	ERH = 4.0L, Power Tech I-6	DGK = 4 Speed Auto, 42RE
M = Sport	T = 2WD		EVA = 4.7L Power Tech V8	DGQ = 5 Speed Auto, 45RFE
P = Limited			EVC = 4.7L HO V8 MPI	DG0 = All Automatic Trans
S = Overland			ER0 = All 4.0L 6 Cyl Gas	
			EVO = All 4.7L Gas	

AR = Use as required - = Non illustrated part # = New this model year

**Crankcase Ventilation, 4.0 [ERH]
Figure 4.0L-910**



ITEM	PART NUMBER	QTY	LINE	SERIES	BODY	ENGINE	TRANS	TRIM	DESCRIPTION
------	-------------	-----	------	--------	------	--------	-------	------	-------------

Note; Sales Codes

[ER0]= All 4.0L, 6 Cylinder Gas Engines

1	4854 119	1				ER0			TUBE, Crankcase Vent To Air Cleaner
2	4854 265	1				ER0			TUBE, Crankcase Vent To Intake Manifold
3	53013 360AA	1				ER0			TUBE, Crankcase Vent To Air Cleaner
4	5303 0497	1				ER0			FITTING, Crankcase Vent Tube
5	2946 079	2				ER0			GROMMET, Crankcase Vent

JEEP GRAND CHEROKEE (WJ)

SERIES	LINE	BODY	ENGINE	TRANSMISSION
H = Laredo	J = 4WD	74 = 4 Door	ERH = 4.0L, Power Tech I-6	DGK = 4 Speed Auto, 42RE
M = Sport	T = 2WD		EVA = 4.7L Power Tech V8	DGQ = 5 Speed Auto, 45RFE
P = Limited			EVC = 4.7L HO V8 MPI	DG0 = All Automatic Trans
S = Overland			ER0 = All 4.0L 6 Cyl Gas	
			EVO = All 4.7l Gas	

AR = Use as required - = Non illustrated part # = New this model year

December 1, 2003

Group – 4.7L

Engine 4.7L Eight Cylinder

GROUP 4.7L - Engine 4.7L Eight Cylinder

Illustration Title

Group-Fig. No.

Cylinder Head

Cylinder Head, 4.7 [EVA, EVC] Fig. 4.7L-210

Cylinder Block

Cylinder Block, 4.7 [EVA, EVC] Fig. 4.7L-310

Crankshaft, Pistons and Torque Converter

Crankshaft, Piston and Torque Converter, 4.7 [EVA, EVC] Fig. 4.7L-410

Camshafts and Valves

Camshaft and Valves, 4.7 [EVA, EVC] Fig. 4.7L-510

Timing Belt and Cover

Timing Cover, 4.7L [EVA, EVC] Fig. 4.7L-610

Timing Chain and Guides, 4.7 [EVA, EVC] Fig. 4.7L-620

Engine Oiling

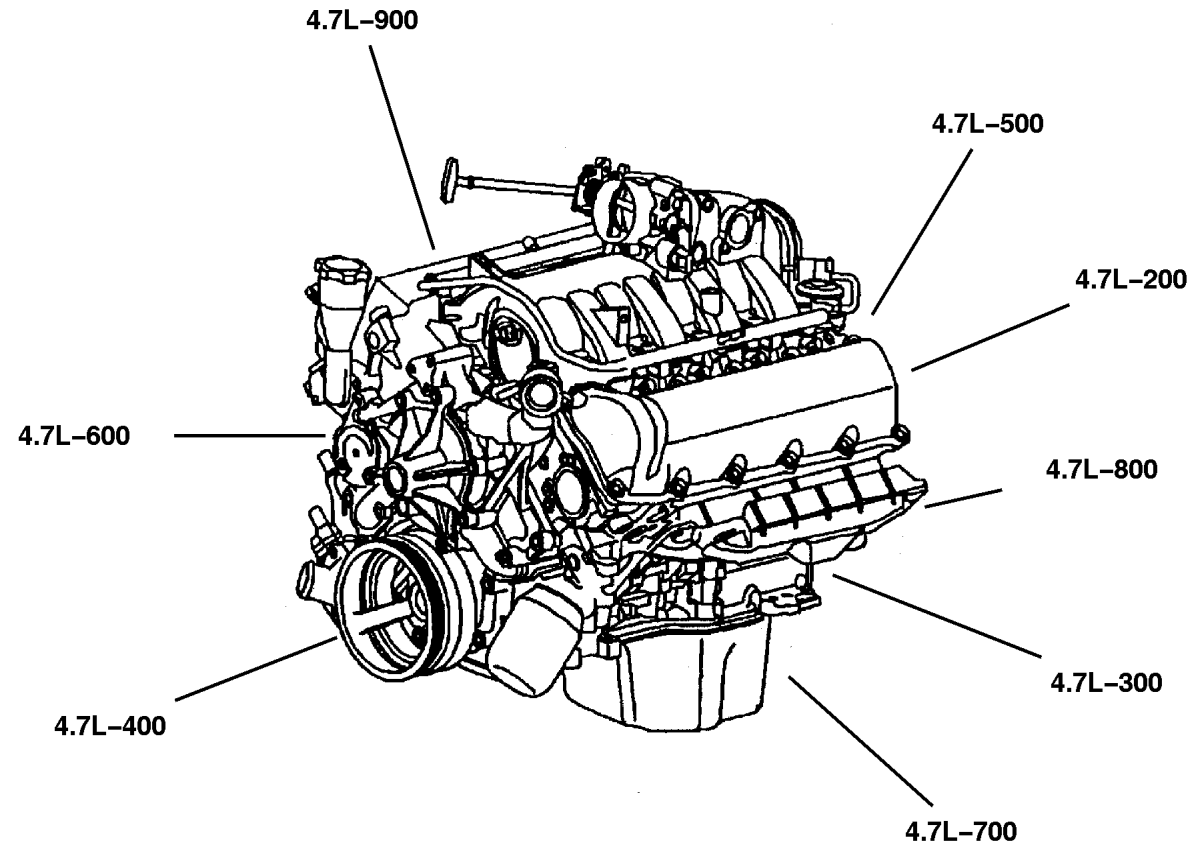
Engine Oiling, 4.7 [EVA, EVC] Fig. 4.7L-710

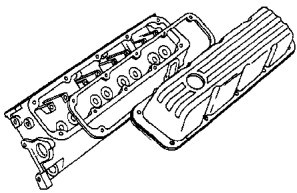
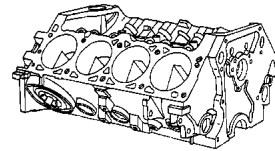
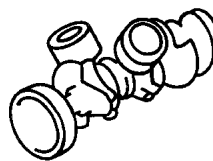
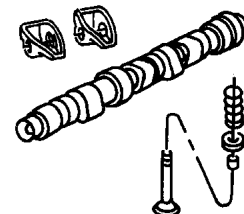
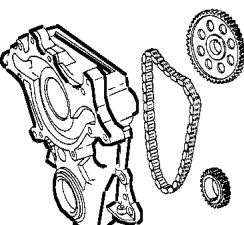
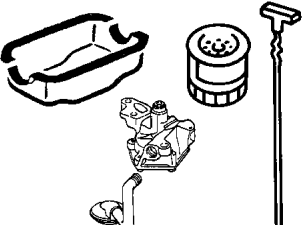
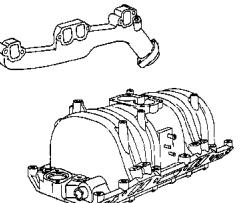
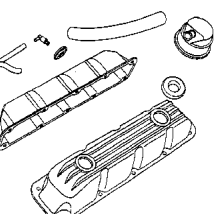
Manifolds

Manifold, Intake and Exhaust, 4.7 [EVA, EVC] Fig. 4.7L-810

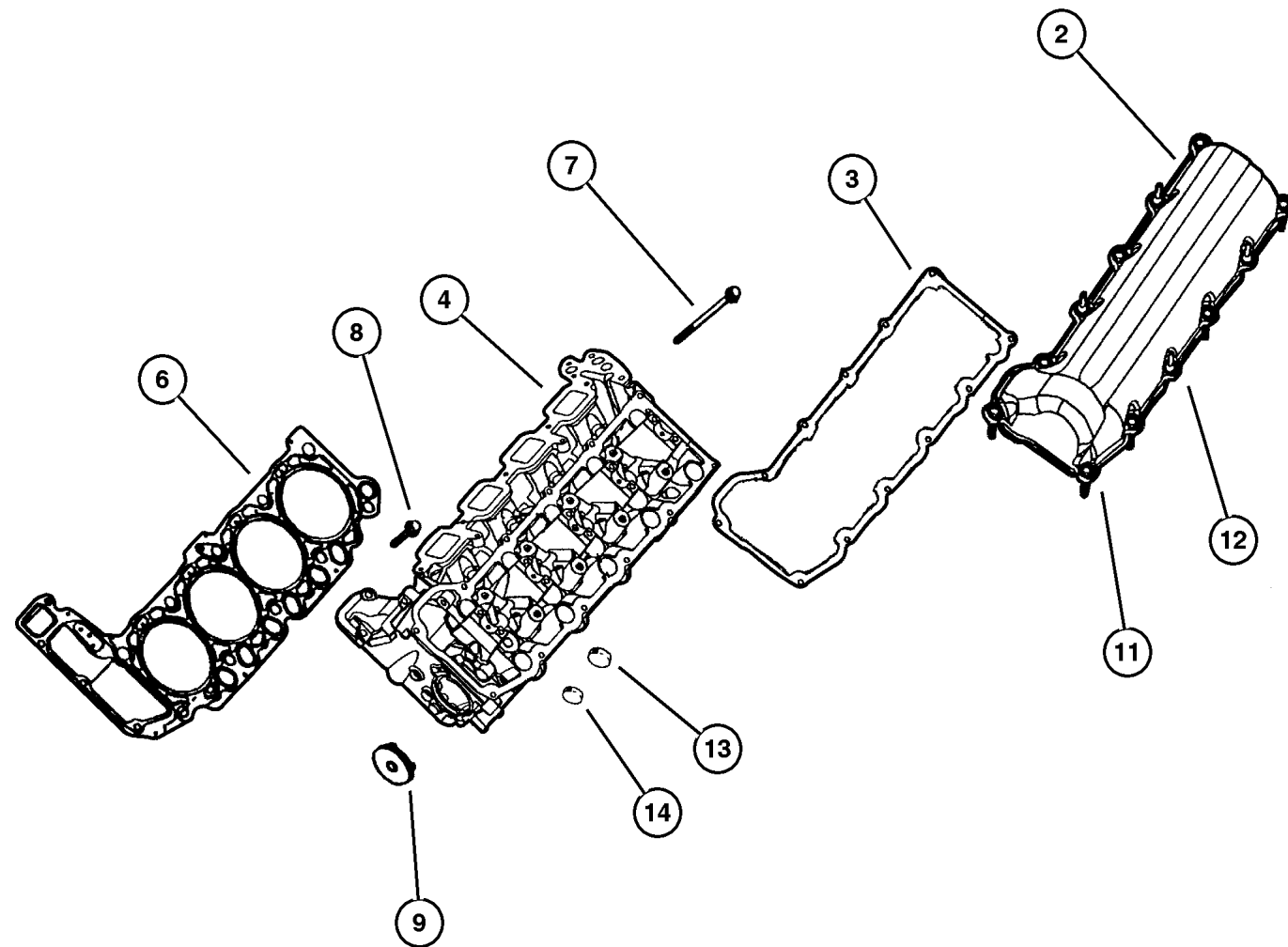
Crankcase Ventilation

Crankcase Ventilation, 4.7 [EVA, EVC] Fig. 4.7L-910



4.7L-200 Cylinder Head 	4.7L-300 Cylinder Block 	4.7L-400 Crankshaft, Pistons and Torque Converter 	4.7L-500 Camshafts and Valves 
4.7L-600 Timing Belt and Cover 	4.7L-700 Engine Oiling 	4.7L-800 Manifolds 	4.7L-900 Crankcase Ventilation 

**Cylinder Head, 4.7 [EVA, EVC]
Figure 4.7L-210**



ITEM	PART NUMBER	QTY	LINE	SERIES	BODY	ENGINE	TRANS	TRIM	DESCRIPTION
NOTES: Upper Gasket Package Contains: Cylinder Head and Cylinder Head Cover Gaskets, Intake and Exhaust Manifold Gaskets, Throttle Body Gasket, Valve Guide Seals, Access Hole O-Ring, Oil Fill Housing Gasket and Crankcase Vent Valve O-Ring									
Sales Codes									
[EVA]= Next Generation 4.7L Magnum Engines									
[EVC]= 4.7L Power Tech High Output V-8									
[EV0]= All 4.7L Gas Engines									
-1									GASKET PACKAGE, Engine Upper, See Notes
	#5135 797AA	1				EVA	DG0		
		1				EVC	DG0		
2	#53021 828AA	1				EV0			COVER, Cylinder Head Right
	#53021 829AA	1				EV0			Left
3	#53021 842AA	1				EV0			GASKET, Valve Cover Right
	#53021 843AA	1				EV0			Left
4									HEAD, Cylinder, Left
	53020 797AB	1				EVA			
	53021 453AA	1				EVC			
-5									HEAD, Cylinder, Right
	53020 798AB	1				EVA			
	53021 454AA	1				EVC			
6	53020 673AC	2				EV0			GASKET, Cylinder Head
7									SCREW AND WASHER, Hex Head
	6505 528AA	20				EVA			
		20				EVC			
8	6506 785AA	8				EV0			SCREW AND WASHER, Hex Head
9	5302 1031	1				EV0			PLUG, Access Hole
-10	5302 1032	1				EV0			O RING
11									SCREW, Serviced in Cylinder Head Cover, (NOT SERVICED) (Not Serviced)
12									STUD, Serviced in Cylinder Head Cover, (NOT SERVICED) (Not Serviced)
13									PLUG, Core, 1.25 Diameter
	4556 020	2				EVA			
		2				EVC			
14									PLUG, Hex Socket, 3/8-18NPTx.475
	6034 331	2				EVA			
		2				EVC			
-15									PLUG, Oil Gallery

JEEP GRAND CHEROKEE (WJ)

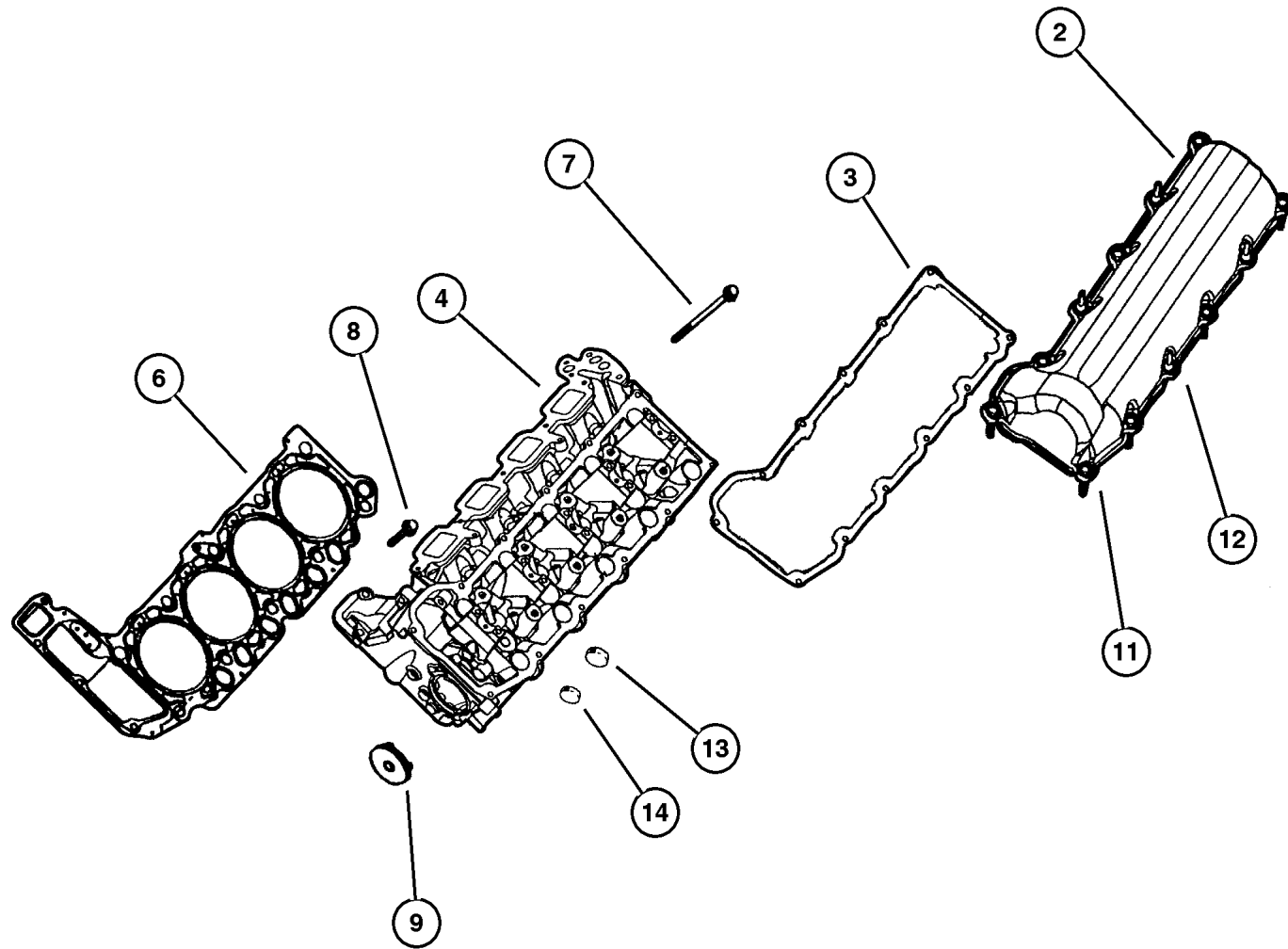
SERIES	LINE	BODY	ENGINE	TRANSMISSION
H = Laredo	J = 4WD	74 = 4 Door	ERH = 4.0L, Power Tech I-6	DGK = 4 Speed Auto, 42RE
M = Sport	T = 2WD		EVA = 4.7L Power Tech V8	DGQ = 5 Speed Auto, 45RFE
P = Limited			EVC = 4.7L HO V8 MPI	DG0 = All Automatic Trans
S = Overland			ER0 = All 4.0L 6 Cyl Gas	
			EV0 = All 4.7L Gas	

AR = Use as required - = Non illustrated part # = New this model year

December 1, 2003

**Cylinder Head, 4.7 [EVA, EVC]
Figure 4.7L-210**

ITEM	PART NUMBER	QTY	LINE	SERIES	BODY	ENGINE	TRANS	TRIM	DESCRIPTION
	6036 307AA	1				EVA			
		1				EVC			

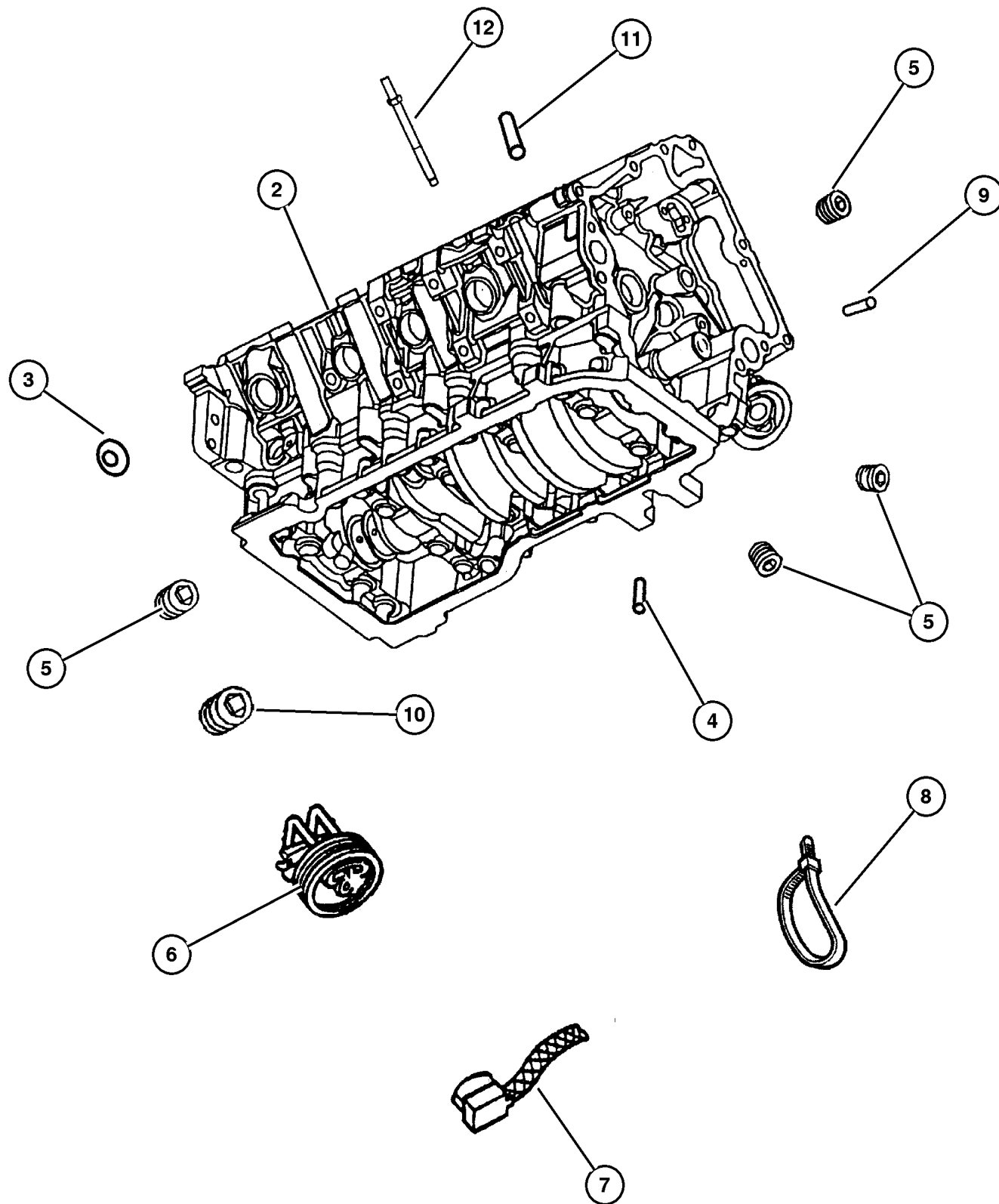


JEEP GRAND CHEROKEE (WJ)				
SERIES	LINE	BODY	ENGINE	TRANSMISSION
H = Laredo	J = 4WD	74 = 4 Door	ERH = 4.0L, Power Tech I-6	DGK = 4 Speed Auto, 42RE
M = Sport	T = 2WD		EVA = 4.7L Power Tech V8	DGQ = 5 Speed Auto, 45RFE
P = Limited			EVC = 4.7L HO V8 MPI	DG0 = All Automatic Trans
S = Overland			ER0 = All 4.0L 6 Cyl Gas	
			EVO = All 4.7l Gas	

AR = Use as required - = Non illustrated part # = New this model year

December 1, 2003

**Cylinder Block, 4.7 [EVA, EVC]
Figure 4.7L-310**



ITEM	PART NUMBER	QTY	LINE	SERIES	BODY	ENGINE	TRANS	TRIM	DESCRIPTION
NOTES: Lower Gasket Package contains: Front and Rear Crankshaft Seals, Oil Pick Up Tube Seal; Oil Pan, Chain Case and Water Pump Gaskets; Chain Case Cover and Oil Tube O-Rings									
Sales Codes									
[EVA]= Next Generation 4.7L Magnum Engines									
[EVC]= 4.7L Power Tech High Output V-8									
[EV0]= All 4.7L Gas Engines									
-1									GASKET PACKAGE, Engine Lower, See Notes
	#5135 798AA	1				EVA	DG0		
		1				EVC	DG0		
2									BLOCK, Short
	5102 736AA	1				EVA			
	5102 737AA	1				EVC			
3	6034 804	10				EV0			PLUG, Core, 1.39 Diameter
4	6505 457AA	3				EV0			PIN, Block To Bedplate
5	6036 114AA	4				EV0			PLUG, Pipe
6	#8220 7962	1				EV0			HEATER PACKAGE, Engine Block
7	5602 7117	1				EV0			CORD, Engine Block Heater
8	5600 8876	1				EV0			STRAP, Tie
9	53010 533AA	2				EV0			DOWEL, Block To Front Cover
10	6034 366	2				EV0			SCREW
11	5240 849	4				EV0			DOWEL, Block To Clutch Housing, Block To Head
12	6505 274AA	2				EV0			STUD
-13	1122 532	2				EV0			DOWEL, Block To Clutch Housing

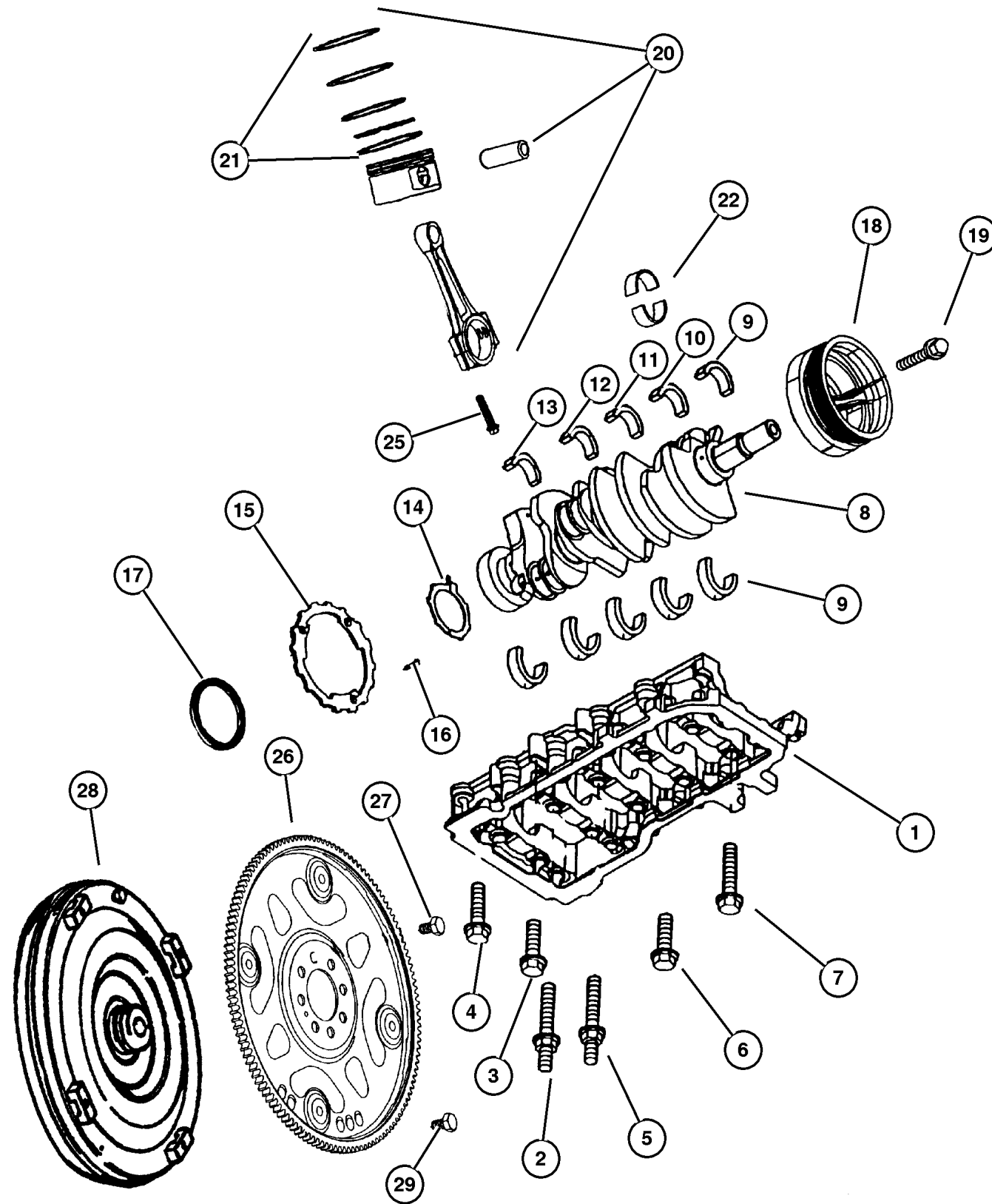
JEEP GRAND CHEROKEE (WJ)

SERIES	LINE	BODY	ENGINE	TRANSMISSION
H = Laredo	J = 4WD	74 = 4 Door	ERH = 4.0L, Power Tech I-6	DGK = 4 Speed Auto, 42RE
M = Sport	T = 2WD		EVA = 4.7L Power Tech V8	DGQ = 5 Speed Auto, 45RFE
P = Limited			EVC = 4.7L HO V8 MPI	DG0 = All Automatic Trans
S = Overland			ER0 = All 4.0L 6 Cyl Gas	
			EV0 = All 4.7L Gas	

AR = Use as required - = Non illustrated part # = New this model year

December 1, 2003

**Crankshaft, Piston and Torque Converter, 4.7 [EVA, EVC]
Figure 4.7L-410**



ITEM	PART NUMBER	QTY	LINE	SERIES	BODY	ENGINE	TRANS	TRIM	DESCRIPTION
Note; Sales Codes									
[DGQ]= 5 Speed Automatic Transmission 5-45RFE									
[DG0]= All Automatic Transmissions									
[EVA]= Next Generation 4.7L Magnum Engines									
[EVC]= 4.7L Power Tech High Output V-8									
[EV0]= All 4.7L Gas Engines									
1									BEDPLATE, Serviced in Short Block, (NOT SERVICED) (Not Serviced)
2	6506 187AA	2				EV0			STUD
3	6102 047AA	6				EV0			SCREW, Hex Head, M8x1.25x50
4	6504 411	7				EV0			SCREW
5	6506 186AA	1				EV0			STUD
6	6504 410	5				EV0			SCREW, Hex Head
7	6505 394AA	7				EV0			SCREW AND WASHER
8									CRANKSHAFT
	53020 939AB	1				EVA	DG0		
	53021 407AA	1				EVC	DG0		
9	5014 183AB	5				EV0			BEARING PACKAGE, Crankshaft, A Grade
10	5013 586AC	5				EV0			BEARING PACKAGE, Crankshaft, B Grade
11	5014 186AB	5				EV0			BEARING PACKAGE, Crankshaft, C Grade
12	5013 587AA	5				EV0			BEARING PACKAGE, Crankshaft, .025mm Undersize
13	5013 588AA	5				EV0			BEARING PACKAGE, Crankshaft, .25mm Undersize
14	5012 356AB	1				EV0			WASHER PACKAGE, Washer
15									TONE RING, Sensor, Serviced in Crankshaft, (NOT SERVICED) (Not Serviced)
16									SCREW, M6x1x25
	6504 480	3				EVA	DG0		
17	5302 0788	1				EV0			SEAL, Crankshaft Bearing Oil
18									DAMPER, Crankshaft
	53020 689AB	1				EVA			
	53021 410AA	1				EVC			
19	6504 415	1				EV0			SCREW AND WASHER
20									PISTON PIN AND ROD, STD
	5012 362AC	8				EVA			

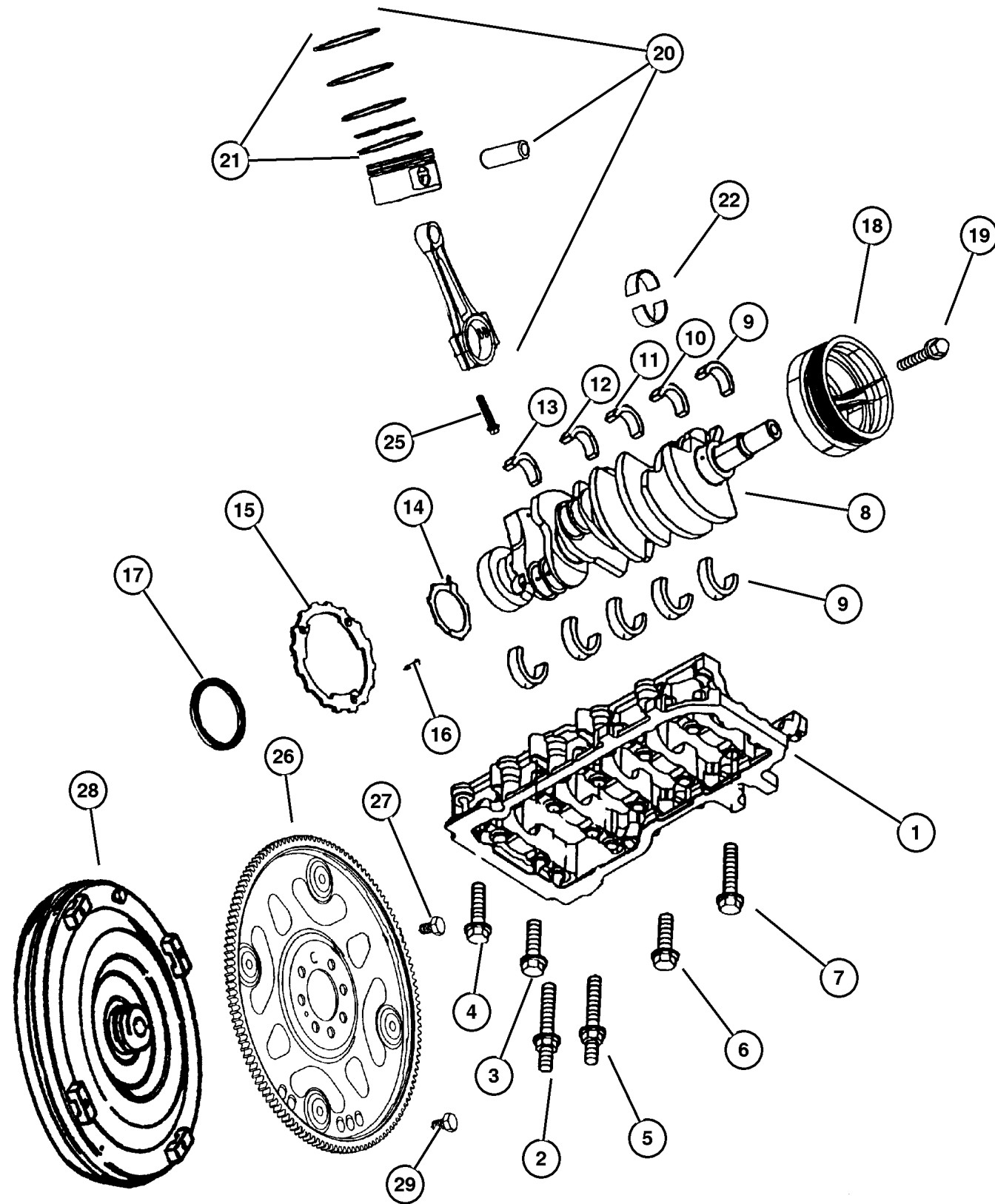
JEEP GRAND CHEROKEE (WJ)

SERIES	LINE	BODY	ENGINE	TRANSMISSION
H = Laredo	J = 4WD	74 = 4 Door	ERH = 4.0L, Power Tech I-6	DGK = 4 Speed Auto, 42RE
M = Sport	T = 2WD		EVA = 4.7L Power Tech V8	DGQ = 5 Speed Auto, 45RFE
P = Limited			EVC = 4.7L HO V8 MPI	DG0 = All Automatic Trans
S = Overland			ER0 = All 4.0L 6 Cyl Gas	
			EV0 = All 4.7L Gas	

AR = Use as required - = Non illustrated part # = New this model year

December 1, 2003

**Crankshaft, Piston and Torque Converter, 4.7 [EVA, EVC]
Figure 4.7L-410**



ITEM	PART NUMBER	QTY	LINE	SERIES	BODY	ENGINE	TRANS	TRIM	DESCRIPTION
	5018 018AA	8				EVC			
21									RING PACKAGE, Piston, Standard Size
	5012 364AC	8				EVA			
		8				EVC			
22									BEARING PACKAGE, Connecting Rod, Standard
	5012 363AB	8				EVA			
	5018 581AA	8				EVC			
-23	5018 584AA	8				EVC			BEARING PACKAGE, Connecting Rod, .025mm Undersize
-24	5018 585AA	8				EVC			BEARING PACKAGE, Connecting Rod, .25mm Undersize
25									BOLT, Connecting Rod
	6504 720	16				EVA			
		16				EVC			
26	5210 4048	1				EVO	DGQ		PLATE, Torque Converter Drive
27	6503 465	8				EVO	DG0		BOLT, Drive Plate and Flywheel
28									TORQUE CONVERTER
	4736 582	1	J				DGQ		
		1	T				DGQ		
29	1949 765	4					DG0		SCREW, Hex Head Header Point, .312-24x.44

JEEP GRAND CHEROKEE (WJ)
 SERIES LINE
 H = Laredo J = 4WD
 M = Sport T = 2WD
 P = Limited
 S = Overland

BODY
 74 = 4 Door

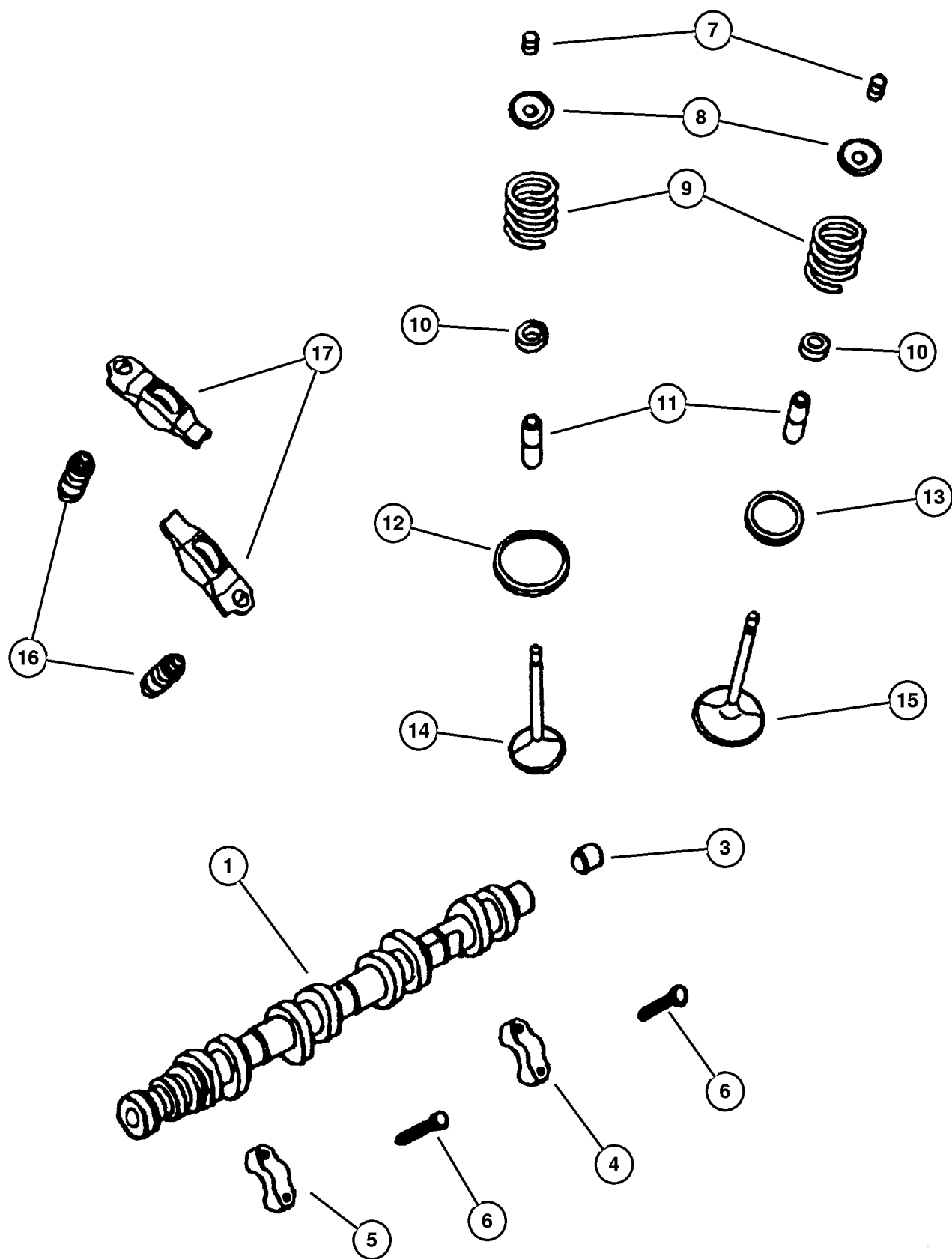
ENGINE
 ERH = 4.0L, Power Tech I-6
 EVA = 4.7L Power Tech V8
 EVC = 4.7L HO V8 MPI
 ER0 = All 4.0L 6 Cyl Gas
 EVO = All 4.7L Gas

TRANSMISSION
 DGK = 4 Speed Auto, 42RE
 DGQ = 5 Speed Auto, 45RFE
 DG0 = All Automatic Trans

AR = Use as required - = Non illustrated part # = New this model year

December 1, 2003

**Camshaft and Valves, 4.7 [EVA, EVC]
Figure 4.7L-510**



ITEM	PART NUMBER	QTY	LINE	SERIES	BODY	ENGINE	TRANS	TRIM	DESCRIPTION
Note; Sales Codes [EVA]= Next Generation 4.7L Magnum Engines [EVC]= 4.7L Power Tech High Output V-8 [EV0]= All 4.7L Gas Engines									
1									CAMSHAFT, Engine, Left
	53021 159AC	1				EVA			Left
	53021 411AB	1				EVC			Left
-2									CAMSHAFT, Engine, Right
	53021 160AC	1				EVA			Right
	53021 412AB	1				EVC			Right
3	53021 161AA	1				EVC			PLUG, Camshaft
4									CAP, Serviced in Cylinder Head, (NOT SERVICED) (Not Serviced)
5									CAP, Serviced in Cylinder Head, (NOT SERVICED) (Not Serviced)
6									SCREW, M6x1x40
	6505 034AA	10				EVA			
		10				EVC			
7	4536 513AB	32				EV0			LOCK, Valve Spring Retainer
8									RETAINER, Valve Spring
	4781 090AA	16				EVA			
		16				EVC			
9									SPRING, Valve
	53020 749AC	16				EVA			Intake
	53021 775AA	8				EVC			Exhaust
	53021 790AA	8				EVC			
10	53020 752AD	16				EV0			SEAL, Valve Guide
11									GUIDE, Intake/Exhaust Valve, Standard Size, Serviced in Cylinder Head, (NOT SERVICED) (Not Serviced)
12									INSERT, Intake Valve, Serviced in Cylinder Head, (NOT SERVICED) (Not Serviced)
13									INSERT, Exhaust Valve, Serviced in Cylinder Head, (NOT SERVICED) (Not Serviced)
14	53020 747AB	8				EV0			VALVE, Intake, Standard
15									VALVE, Exhaust, Standard
	5302 0748	8				EVA			
	53021 644AB	8				EVC			

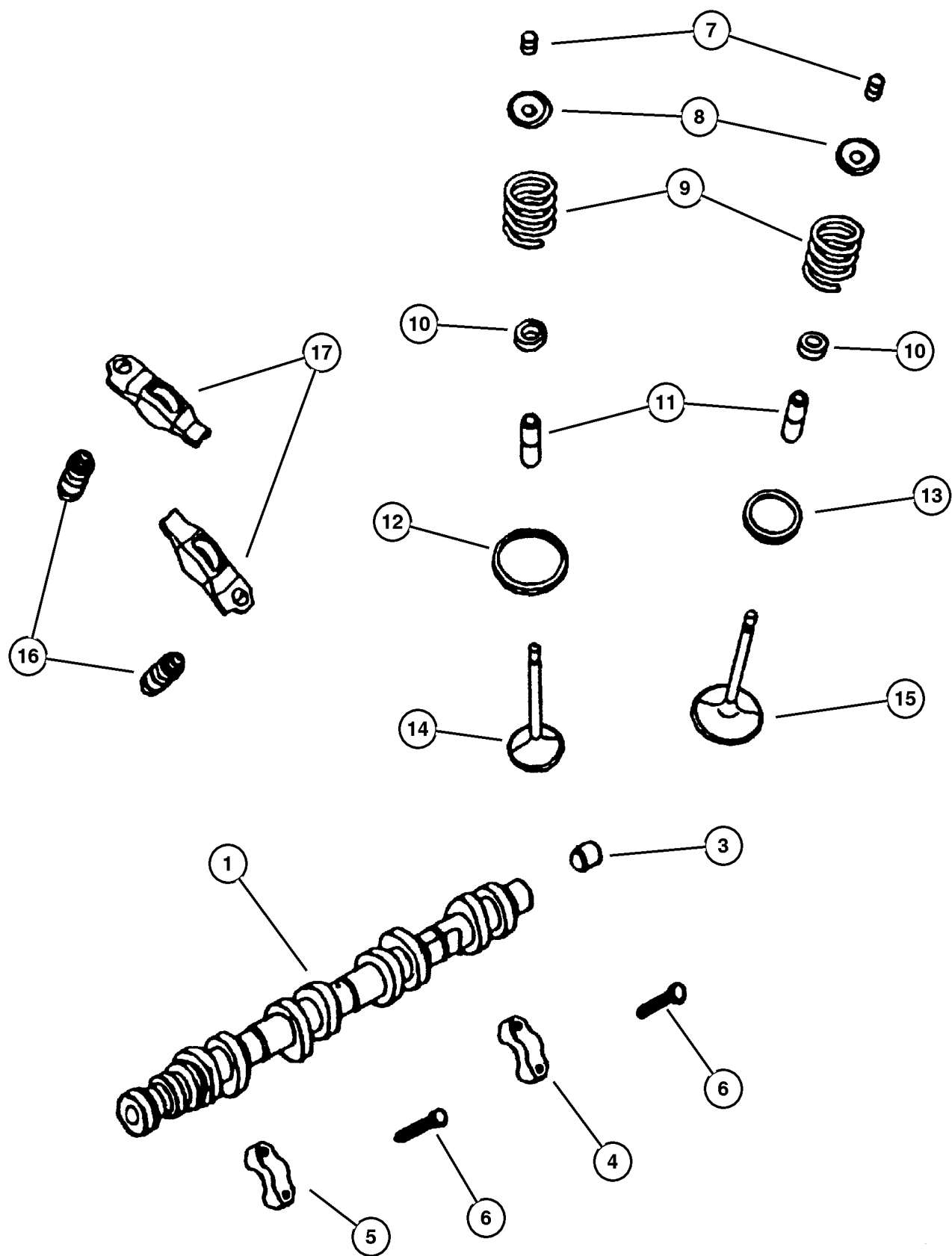
JEEP GRAND CHEROKEE (WJ)

SERIES	LINE	BODY	ENGINE	TRANSMISSION
H = Laredo	J = 4WD	74 = 4 Door	ERH = 4.0L, Power Tech I-6	DGK = 4 Speed Auto, 42RE
M = Sport	T = 2WD		EVA = 4.7L Power Tech V8	DGQ = 5 Speed Auto, 45RFE
P = Limited			EVC = 4.7L HO V8 MPI	DG0 = All Automatic Trans
S = Overland			ER0 = All 4.0L 6 Cyl Gas	
			EV0 = All 4.7L Gas	

AR = Use as required - = Non illustrated part # = New this model year

December 1, 2003

**Camshaft and Valves, 4.7 [EVA, EVC]
Figure 4.7L-510**



ITEM	PART NUMBER	QTY	LINE	SERIES	BODY	ENGINE	TRANS	TRIM	DESCRIPTION
16	5302 1077	16				EVO			ADJUSTER, Valve Lash
17	53020 742AB	16				EVO			ROCKER ARM, Valve

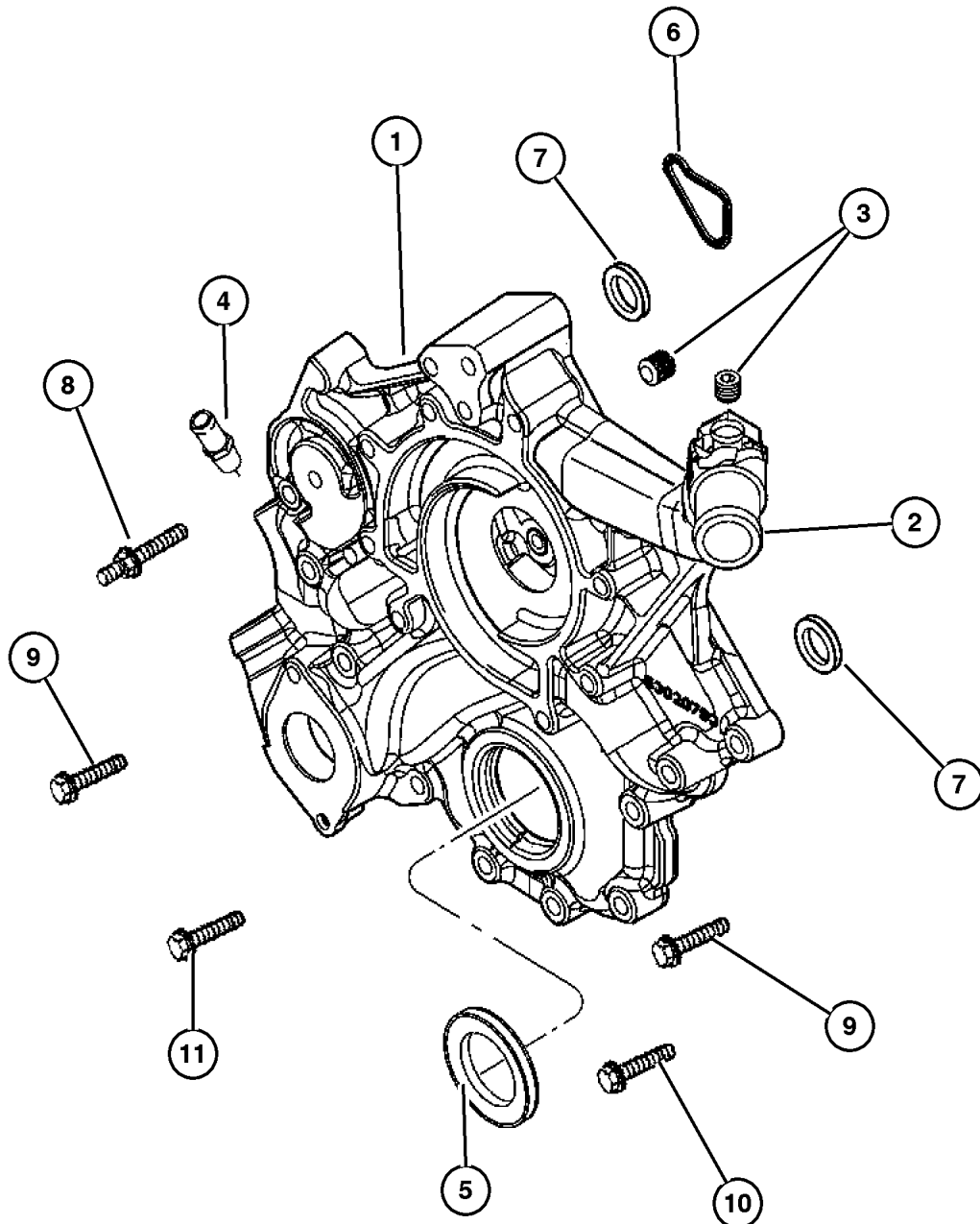
JEEP GRAND CHEROKEE (WJ)

SERIES	LINE	BODY	ENGINE	TRANSMISSION
H = Laredo	J = 4WD	74 = 4 Door	ERH = 4.0L, Power Tech I-6	DGK = 4 Speed Auto, 42RE
M = Sport	T = 2WD		EVA = 4.7L Power Tech V8	DGQ = 5 Speed Auto, 45RFE
P = Limited			EVC = 4.7L HO V8 MPI	DG0 = All Automatic Trans
S = Overland			ER0 = All 4.0L 6 Cyl Gas	
			EVO = All 4.7l Gas	

AR = Use as required - = Non illustrated part # = New this model year

December 1, 2003

Timing Cover, 4.7L [EVA, EVC]
Figure 4.7L-610



ITEM	PART NUMBER	QTY	LINE	SERIES	BODY	ENGINE	TRANS	TRIM	DESCRIPTION
NOTES:									
Sales Codes									
[EV0] = All 4.7L Gas Engines									
1	53021 714AC	1				EVO			COVER, Timing Belt
2									PIPE FITTING, Chain Case Cover, .375-18x2, Serviced With Item 1, (NOT SERVICED) (Not Serviced)
3	6034 331	3				EVO			PLUG, Hex Socket, 3/8-18NPTx.475
4	6035 854	2				EVO			FITTING, Y-Style
5	53021 313AA	1				EVO			SEAL, Crankshaft Oil, Front
6	53021 226AA	1				EVO			GASKET, Chain Case Cover
7	53021 239AA	2				EVO			O RING
8	6505 293AA	1				EVO			STUD
9	6507 776AA	3				EVO			SCREW, Hex Flange Head
10	6102 381AA	5				EVO			SCREW, Hex Flange Head
11	6102 380AA	5				EVO			SCREW, Hex Flange Head

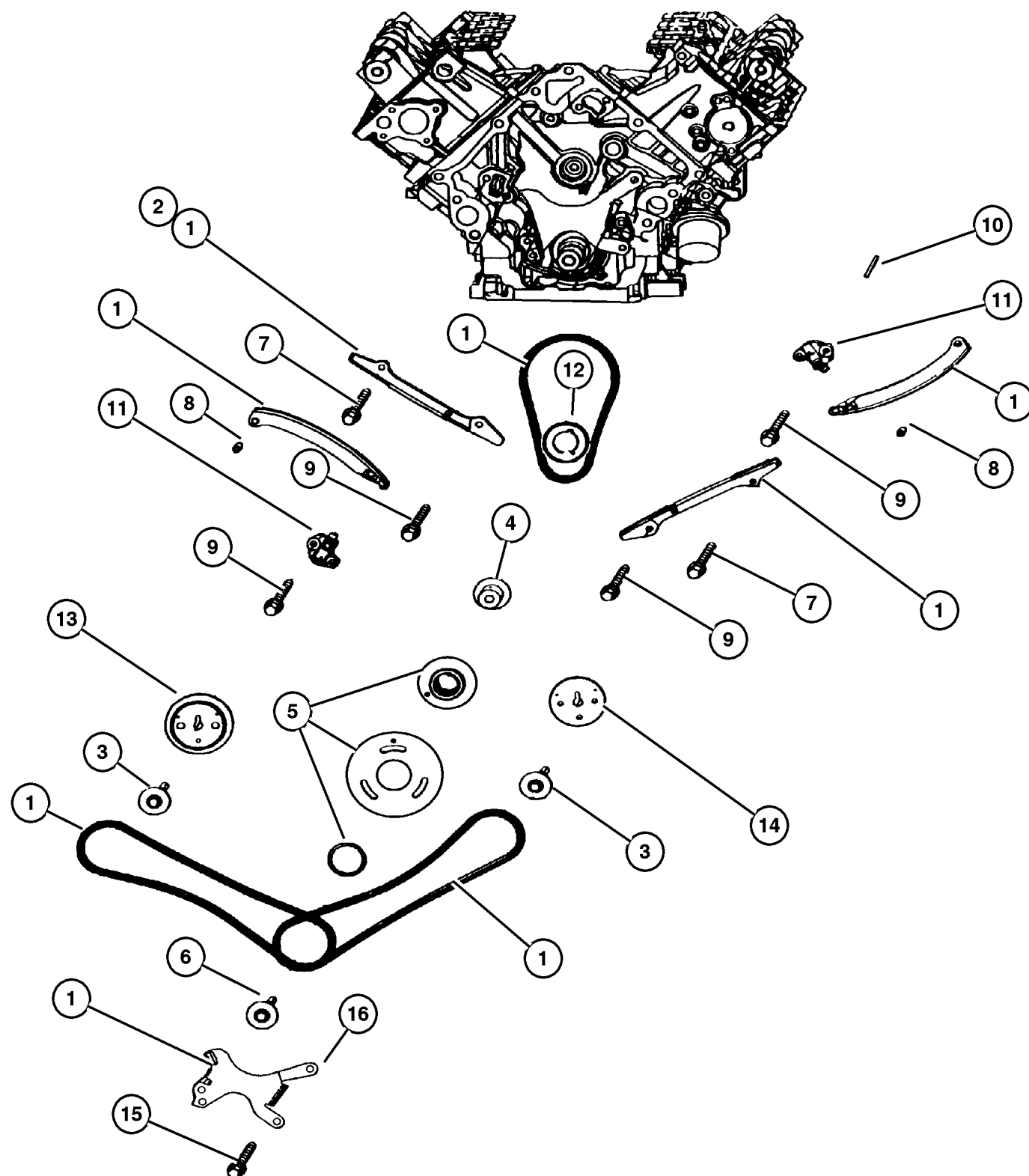
JEEP GRAND CHEROKEE (WJ)

SERIES	LINE	BODY	ENGINE	TRANSMISSION
H = Laredo	J = 4WD	74 = 4 Door	ERH = 4.0L, Power Tech I-6	DGK = 4 Speed Auto, 42RE
M = Sport	T = 2WD		EVA = 4.7L Power Tech V8	DGQ = 5 Speed Auto, 45RFE
P = Limited			EVC = 4.7L HO V8 MPI	DG0 = All Automatic Trans
S = Overland			ER0 = All 4.0L 6 Cyl Gas	
			EVO = All 4.7L Gas	

AR = Use as required - = Non illustrated part # = New this model year

December 1, 2003

Timing Chain and Guides, 4.7 [EVA, EVC] Figure 4.7L-620



ITEM	PART NUMBER	QTY	LINE	SERIES	BODY	ENGINE	TRANS	TRIM	DESCRIPTION
Note; Sales Codes									
[EV0]= All 4.7L Gas Engines									
1	5013 867AC	1				EVO			TIMING DRIVE PACKAGE, Engine
2	53021 796AA	2				EVO			GUIDE, Timing Chain, Secondary
3	6504 429	2				EVO			SCREW AND WASHER, Hex
4	5302 0835	1				EVO			SHAFT, Idler
5	5013 868AB	1				EVO			SPROCKET, Idler
6	6504 370	1				EVO			SCREW AND WASHER, Hex
7	6102 111AA	2				EVO			SCREW AND WASHER
8	6504 440	2				EVO			SCREW, Also Serviced In Item# 1
9	6503 257	6				EVO			BOLT, Hex Head, M8x1.25x37.50
10	6504 471	1				EVO			KEY, Woodruff
11									TENSIONER, Chain
	5302 0779	1				EVO			Right
	53021 168AA	1				EVO			Left
12	5302 0679	1				EVO			SPROCKET, Crankshaft
13	53021 169AA	1				EVO			SPROCKET, Camshaft, Right
14	5302 0938	1				EVO			SPROCKET, Camshaft, Left
15	6100 932	2				EVO			BOLT, Hex
16	5302 0681	1				EVO			TENSIONER, Chain, Primary

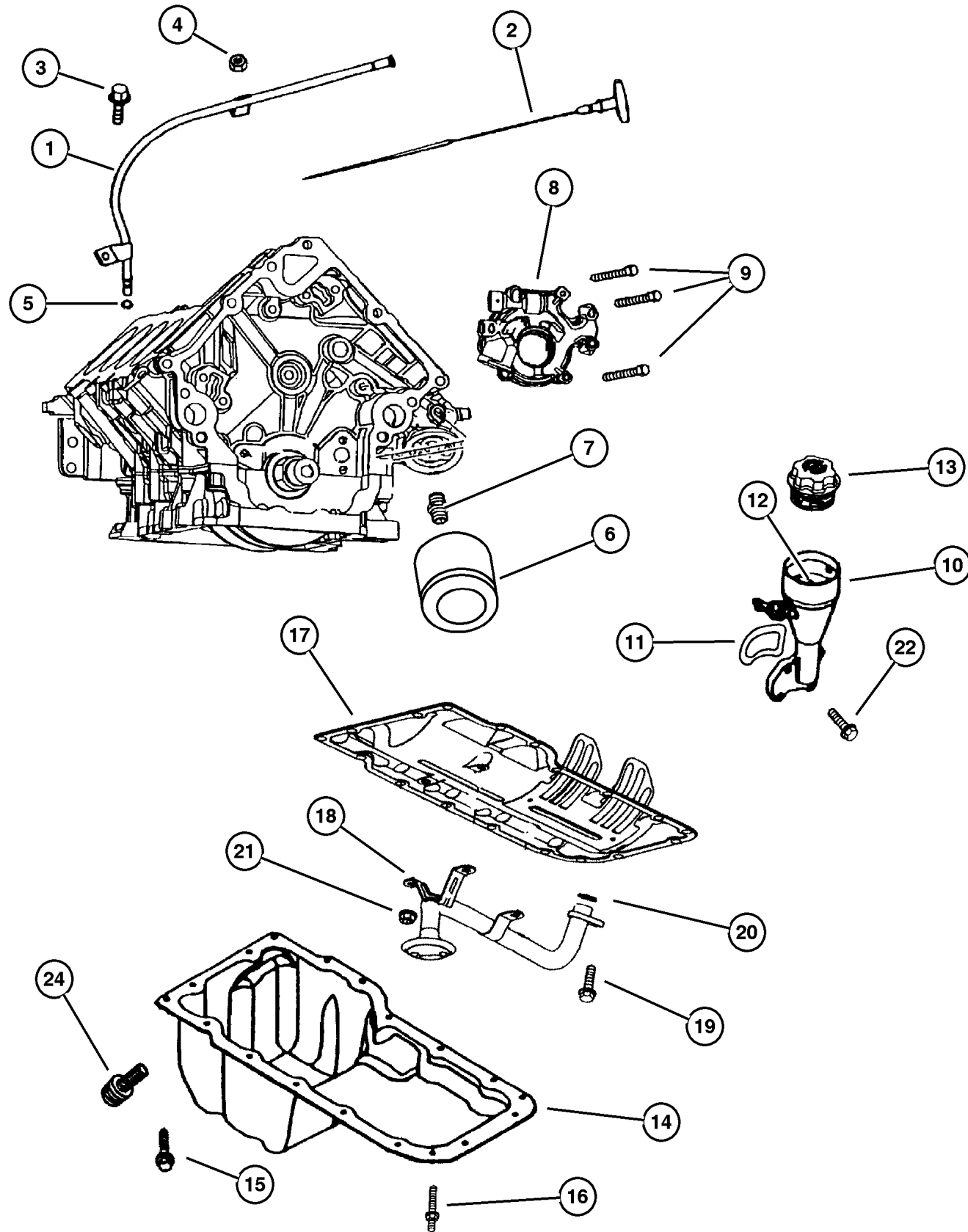
JEEP GRAND CHEROKEE (WJ)

SERIES	LINE	BODY	ENGINE	TRANSMISSION
H = Laredo	J = 4WD	74 = 4 Door	ERH = 4.0L, Power Tech I-6	DGK = 4 Speed Auto, 42RE
M = Sport	T = 2WD		EVA = 4.7L Power Tech V8	DGQ = 5 Speed Auto, 45RFE
P = Limited			EVC = 4.7L HO V8 MPI	DG0 = All Automatic Trans
S = Overland			ER0 = All 4.0L 6 Cyl Gas	
			EV0 = All 4.7L Gas	

AR = Use as required - = Non illustrated part # = New this model year

December 1, 2003

**Engine Oiling, 4.7 [EVA, EVC]
Figure 4.7L-710**



ITEM	PART NUMBER	QTY	LINE	SERIES	BODY	ENGINE	TRANS	TRIM	DESCRIPTION
Note; Sales Codes									
[EV0]= All 4.7L Gas Engines									
1	53021 024AB	1				EVO			TUBE, Engine Oil Indicator
2	53020 859AC	1				EVO			INDICATOR, Engine Oil Level
3	6504 810AA	1				EVO			SCREW AND WASHER, Hex
4	6101 802	1				EVO			NUT
5	53021 144AA	1				EVO			O RING, Engine Oil Indicator
6	5281 090	1				EVO			FILTER, Engine Oil
7	5300 7563	1				EVO			CONNECTOR, Oil Filter
8	5302 0827	1				EVO			PUMP, Engine Oil
9	6100 932	1				EVO			BOLT, Hex
10	5302 0890	1				EVO			HOUSING, Oil Fill
11	53020 889AB	1				EVO			GASKET, Oil Fill Housing
12	53032 126AA	1				EVO			BAFFLE, Oil Fill, None
13	53032 389AC	1				EVO			CAP, Oil Filler
14	53020 678AC	1				EVO			PAN, Engine Oil
15	6504 810AA	17				EVO			SCREW AND WASHER, Hex
16	6505 889AA	1				EVO			STUD
17	53020 675AE	1				EVO			GASKET, Oil Pan
18	5302 0828	1				EVO			TUBE, Oil Pickup
19	6102 046AA	1				EVO			SCREW AND WASHER
20	5302 0861	1				EVO			SEAL, Oil Pick Up Tube
21	6502 756	3				EVO			NUT, Hex Lock, M8x1.25
22	6505 504AA	4				EVO			SCREW
23	6505 566AA	1				EVO			STUD, Oil Filler Housing Mounting
24	6506 100AA	1				EVO			PLUG, Oil Drain

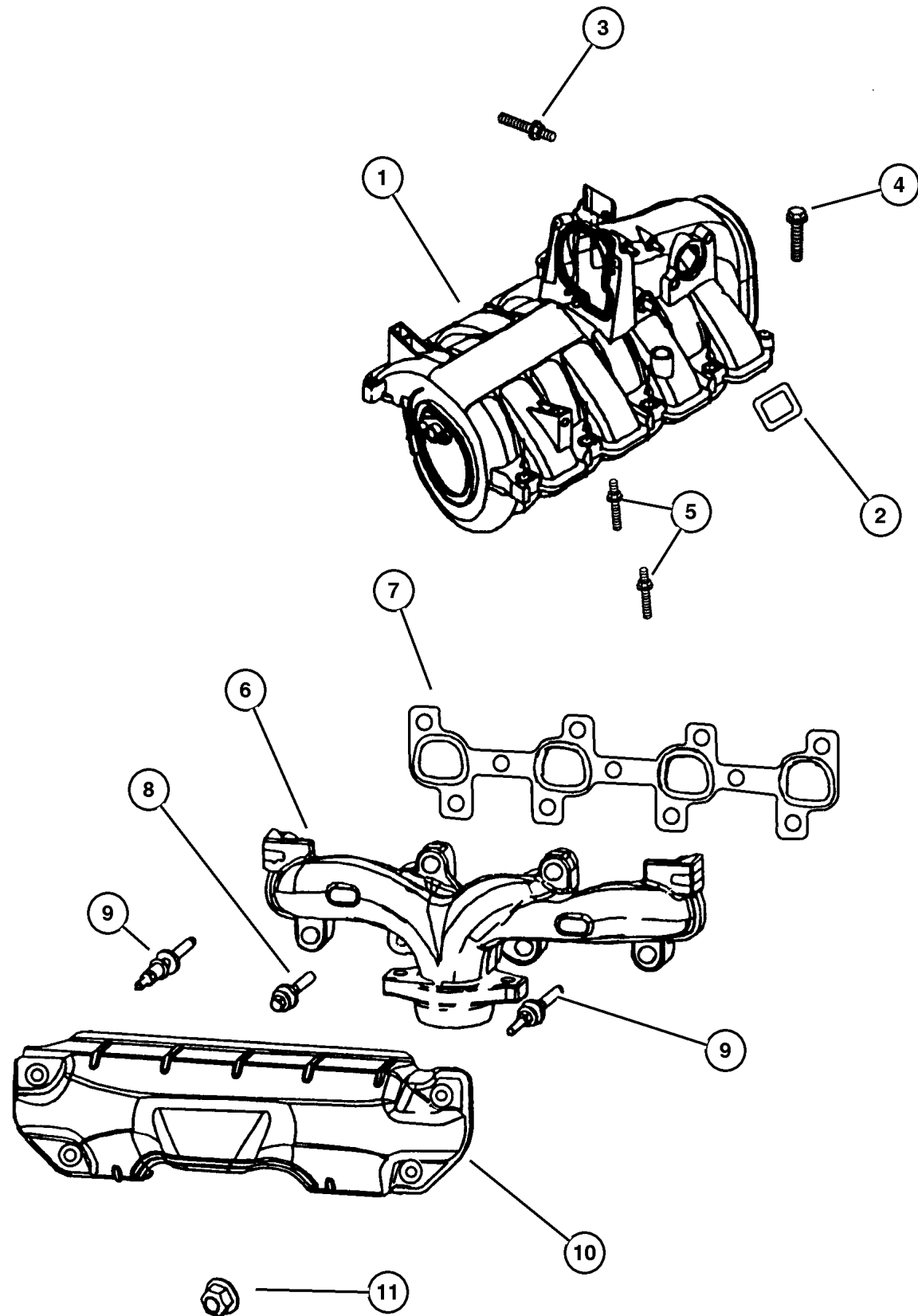
JEEP GRAND CHEROKEE (WJ)

SERIES	LINE	BODY	ENGINE	TRANSMISSION
H = Laredo	J = 4WD	74 = 4 Door	ERH = 4.0L, Power Tech I-6	DGK = 4 Speed Auto, 42RE
M = Sport	T = 2WD		EVA = 4.7L Power Tech V8	DGQ = 5 Speed Auto, 45RFE
P = Limited			EVC = 4.7L HO V8 MPI	DG0 = All Automatic Trans
S = Overland			ER0 = All 4.0L 6 Cyl Gas	
			EVO = All 4.7L Gas	

AR = Use as required - = Non illustrated part # = New this model year

December 1, 2003

**Manifold, Intake and Exhaust, 4.7 [EVA, EVC]
Figure 4.7L-810**



ITEM	PART NUMBER	QTY	LINE	SERIES	BODY	ENGINE	TRANS	TRIM	DESCRIPTION
Note; Sales Codes									
[EVA]= Next Generation 4.7L Magnum Engines									
[EVC]= 4.7L Power Tech High Output V-8									
[EV0]= All 4.7L Gas Engines									
1	53013 403AC	1				EV0			MANIFOLD, Intake
2	53010 310AB	8				EV0			SEAL, Intake Manifold
3	6507 598AA	1				EV0			STUD
4	6507 433AA	2				EV0			SCREW, Hex Flange Head
5	6507 434AA	8				EV0			STUD, Double Ended, Intake
6									Manifold To Head
	#53030 934AB	1				EV0			MANIFOLD, Exhaust Right
	#53030 933AB	1				EV0			MANIFOLD, Exhaust Left
7									GASKET, Exhaust Manifold
	5303 0812	1				EV0			Right
	5303 0813	1				EV0			Left
8	#6507 746AA	8				EV0			BOLT, Exhaust Manifold
9	#6507 814AA	8				EV0			STUD, Exhaust Manifold
10									SHIELD, Exhaust Manifold
	53030 940AB	1				EV0			Right
	53030 815AB	1				EV0			Left
11	6505 316AA	8				EV0			NUT
-12	4669 657	1				EV0			CAP, Vacuum Port, Intake Manifold
-13	#6507 936AA	4				EV0			STUD, Exhaust Manifold

JEEP GRAND CHEROKEE (WJ)

SERIES	LINE	BODY	ENGINE	TRANSMISSION
H = Laredo	J = 4WD	74 = 4 Door	ERH = 4.0L, Power Tech I-6	DGK = 4 Speed Auto, 42RE
M = Sport	T = 2WD		EVA = 4.7L Power Tech V8	DGQ = 5 Speed Auto, 45RFE
P = Limited			EVC = 4.7L HO V8 MPI	DG0 = All Automatic Trans
S = Overland			ER0 = All 4.0L 6 Cyl Gas	
			EV0 = All 4.7L Gas	

AR = Use as required - = Non illustrated part # = New this model year

December 1, 2003

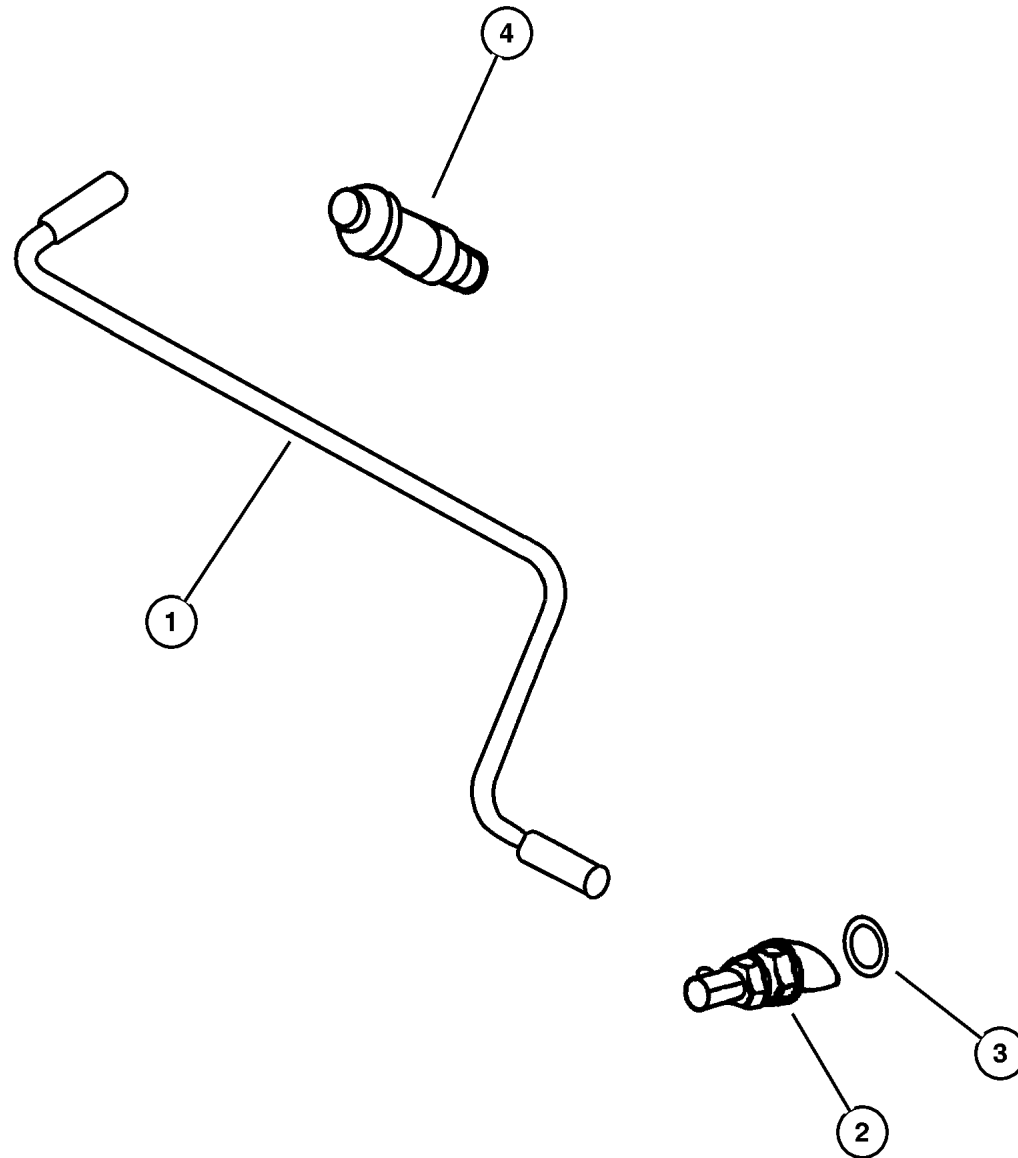
**Crankcase Ventilation, 4.7 [EVA, EVC]
Figure 4.7L-910**

ITEM	PART NUMBER	QTY	LINE	SERIES	BODY	ENGINE	TRANS	TRIM	DESCRIPTION
------	-------------	-----	------	--------	------	--------	-------	------	-------------

Note; Sales Codes

[EV0]= All 4.7L Gas Engines

1	53032 617AD	1				EVO			TUBE, Crankcase Vent To Intake Manifold
2	53032 800AA	1				EVO			VALVE, Crankcase Vent
3	53031 711AA	1				EVO			O RING
4	53030 850AB	2				EVO			BREATHER, Crankcase



JEEP GRAND CHEROKEE (WJ)

SERIES	LINE	BODY	ENGINE	TRANSMISSION
H = Laredo	J = 4WD	74 = 4 Door	ERH = 4.0L, Power Tech I-6	DGK = 4 Speed Auto, 42RE
M = Sport	T = 2WD		EVA = 4.7L Power Tech V8	DGQ = 5 Speed Auto, 45RFE
P = Limited			EVC = 4.7L HO V8 MPI	DG0 = All Automatic Trans
S = Overland			ER0 = All 4.0L 6 Cyl Gas	
			EV0 = All 4.7L Gas	

AR = Use as required - = Non illustrated part # = New this model year

December 1, 2003

Group – 011

Exhaust

GROUP 11 - Exhaust

Illustration Title

Group-Fig. No.

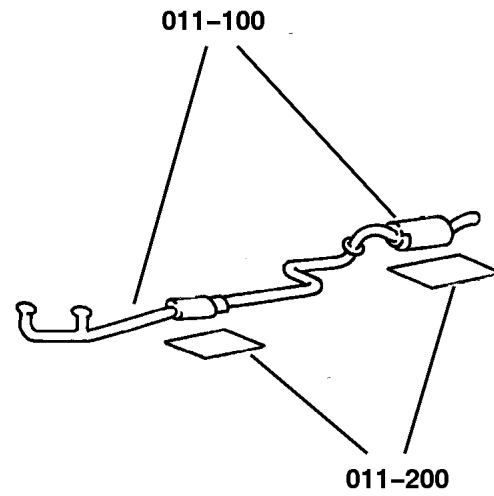
Exhaust System

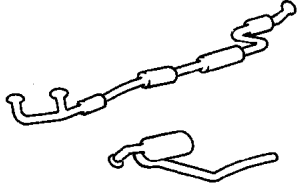
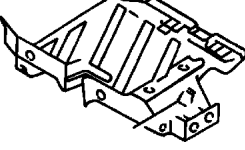
Exhaust System, 4.0 [ERH] Fig. 011-110

Exhaust System, 4.7 [EVA,EVC] Fig. 011-120

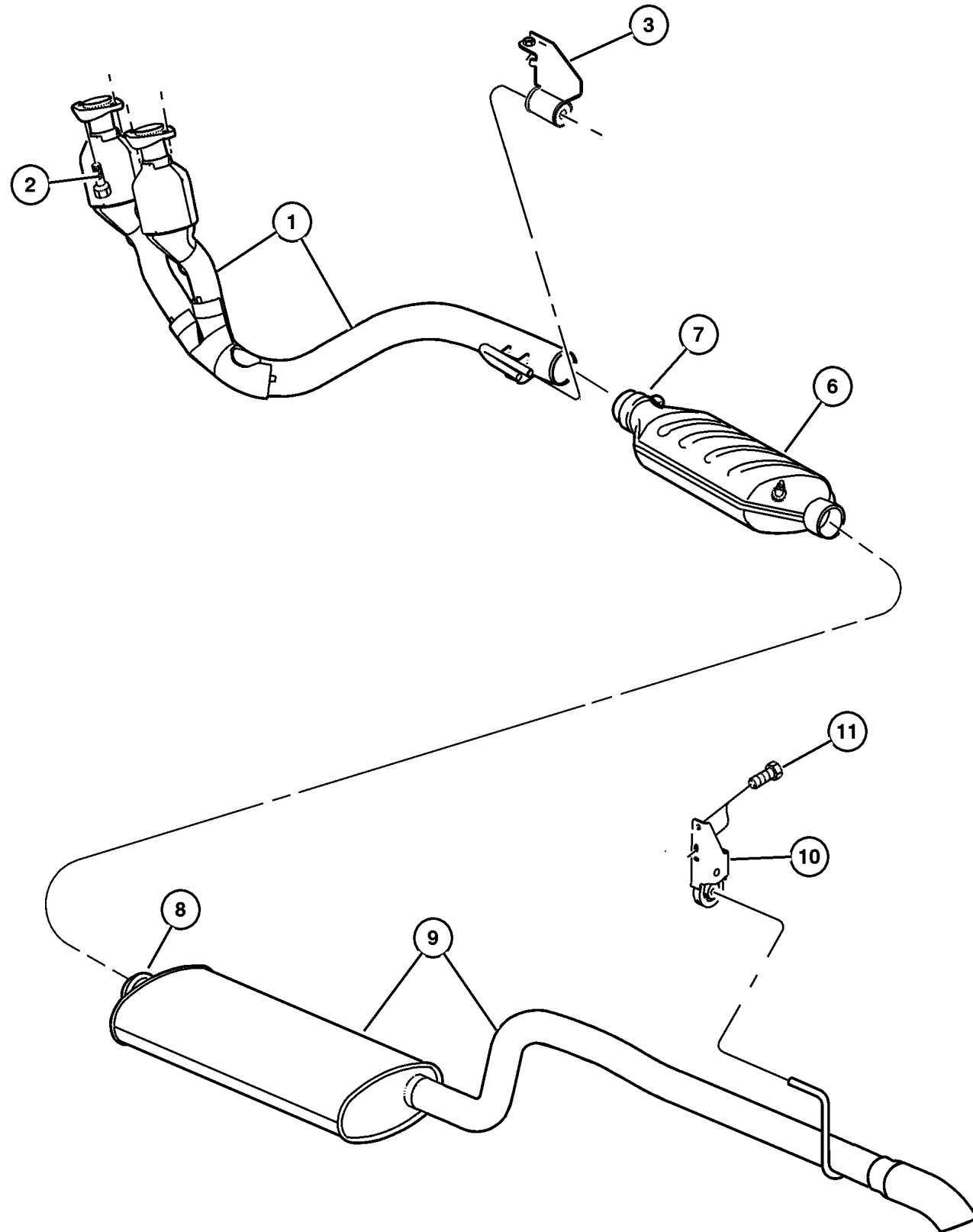
Heat Shields

Heat Shields, 4.0 [ERH], 4.7 [EVA, EVC] Fig. 011-210



<p>011-100 Exhaust System</p> 	<p>011-200 Heat Shields</p> 		
--	--	--	--

**Exhaust System, 4.0 [ERH]
Figure 011-110**



ITEM	PART NUMBER	QTY	LINE	SERIES	BODY	ENGINE	TRANS	TRIM	DESCRIPTION
Note; Sales Codes									
[ER0]= All 4.0L, 6 Cylinder Gas Engines									
1	52080 356AB	1				ER0			PIPE, Exhaust, To Manifold
2	6507 051AA	4				ER0			SCREW, Hex Head
3	52101 017AC	1				ER0			HANGER, Exhaust
-4	6022 266	1				ER0			SCREW, Hex Head, .375-16x1.5
-5	0152 474	1				ER0			NUT, Hex Flange Lock, .375-16
6	#52080 439AA	1				ER0			CONVERTER, Catalytic
7									CLAMP, Serviced With Converter, (NOT SERVICED) (Not Serviced)
8									CLAMP, Exhaust, Serviced With Muffler and Tailpipe , (NOT SERVICED) (Not Serviced)
9	52101 239AB	1				ER0			MUFFLER AND TAILPIPE, Exhaust
10	52101 141AD	1							HANGER, Tailpipe
11									SCREW, (NOT SERVICED) (Not Serviced)

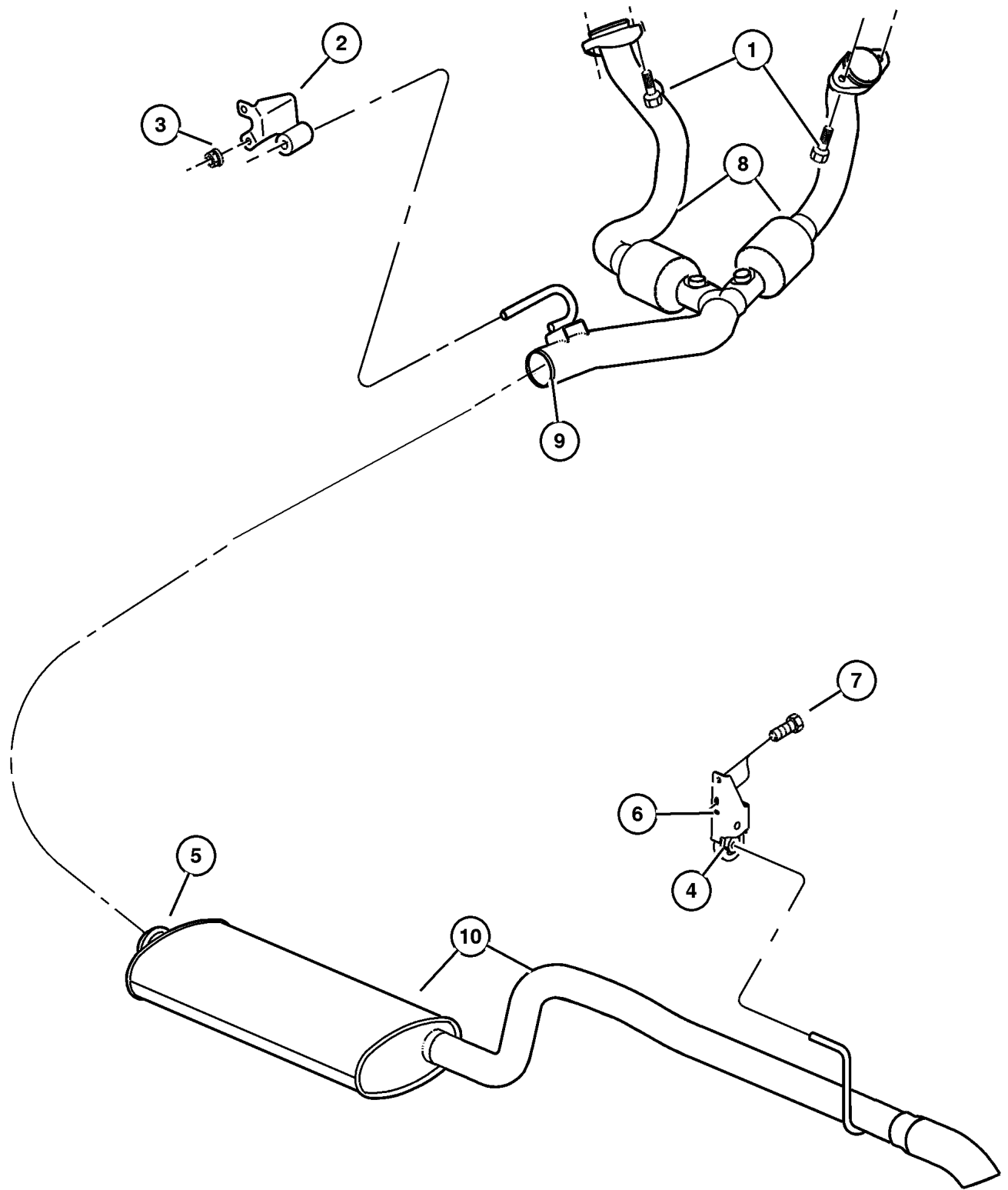
JEEP GRAND CHEROKEE (WJ)

SERIES	LINE	BODY	ENGINE	TRANSMISSION
H = Laredo	J = 4WD	74 = 4 Door	ERH = 4.0L, Power Tech I-6	DGK = 4 Speed Auto, 42RE
M = Sport	T = 2WD		EVA = 4.7L Power Tech V8	DGQ = 5 Speed Auto, 45RFE
P = Limited			EVC = 4.7L HO V8 MPI	DG0 = All Automatic Trans
S = Overland			ER0 = All 4.0L 6 Cyl Gas	
			EVO = All 4.7l Gas	

AR = Use as required - = Non illustrated part # = New this model year

December 1, 2003

**Exhaust System, 4.7 [EVA,EVC]
Figure 011-120**



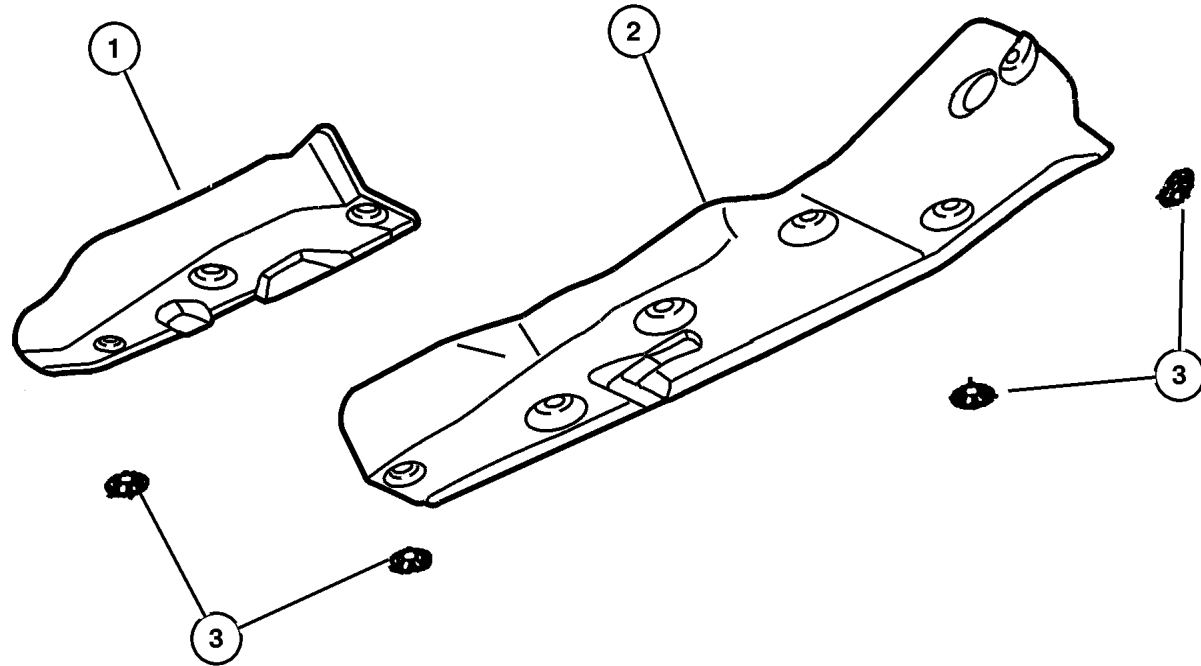
ITEM	PART NUMBER	QTY	LINE	SERIES	BODY	ENGINE	TRANS	TRIM	DESCRIPTION
Note; Sales Codes;									
[EV0]= All 4.7L Gas Engines									
1	6506 012AA	4				EVO			SCREW, Hex Head
2	52101 018AC	1				EVO			HANGER, Exhaust
3	6502 696	2				EVO			NUT, Hex Flange Lock, M10x1.5
4	52101 068AA	1							INSULATOR, Exhaust
5									CLAMP, Exhaust, Serviced With Muffler and Tailpipe, (NOT SERVICED) (Not Serviced)
6	52101 141AD	1							HANGER, Tailpipe
7									SCREW, (NOT SERVICED) (Not Serviced)
8	#52080 378AC	1				EVO			PIPE AND CONVERTER, Exhaust, To Manifold
9									CONVERTER, Catalytic
	52080 369AA	1				EVO			
	#52080 379AA	1				EVO			Pipe- Intermediate
10	52101 237AC	1				EVO			MUFFLER AND TAILPIPE, Exhaust
-11	6503 231	4				EVO			NUT, Brake Line

JEEP GRAND CHEROKEE (WJ)				
SERIES	LINE	BODY	ENGINE	TRANSMISSION
H = Laredo	J = 4WD	74 = 4 Door	ERH = 4.0L, Power Tech I-6	DGK = 4 Speed Auto, 42RE
M = Sport	T = 2WD		EVA = 4.7L Power Tech V8	DGQ = 5 Speed Auto, 45RFE
P = Limited			EVC = 4.7L HO V8 MPI	DG0 = All Automatic Trans
S = Overland			ER0 = All 4.0L 6 Cyl Gas	
			EV0 = All 4.7L Gas	

AR = Use as required - = Non illustrated part # = New this model year

**Heat Shields, 4.0 [ERH], 4.7 [EVA, EVC]
Figure 011-210**

ITEM	PART NUMBER	QTY	LINE	SERIES	BODY	ENGINE	TRANS	TRIM	DESCRIPTION
1	55135 709AC	1							SHIELD, Heat
2	55135 712AD	1							SHIELD, Heat
3									NUT, Heat Shield Attach, M5x1.60, (NOT SERVICED) (Not Serviced)
-4	53013 669AA	1				ER0			SHIELD, Exhaust Manifold
-5	6503 683	1				ER0			PIN, Push
-6	56041 675AA	1				ER0			SHIELD, Heat, Oxygen Sensor Pugtail



JEEP GRAND CHEROKEE (WJ)

SERIES	LINE	BODY	ENGINE	TRANSMISSION
H = Laredo	J = 4WD	74 = 4 Door	ERH = 4.0L, Power Tech I-6	DGK = 4 Speed Auto, 42RE
M = Sport	T = 2WD		EVA = 4.7L Power Tech V8	DGQ = 5 Speed Auto, 45RFE
P = Limited			EVC = 4.7L HO V8 MPI	DG0 = All Automatic Trans
S = Overland			ER0 = All 4.0L 6 Cyl Gas	
			EVO = All 4.7l Gas	

AR = Use as required - = Non illustrated part # = New this model year

December 1, 2003

Group – 013

Frames and Bumpers

GROUP 13 - Frames and Bumpers

Illustration Title

Group-Fig. No.

Front Bumper and Fascia

Bumper, Front Fig. 013-240

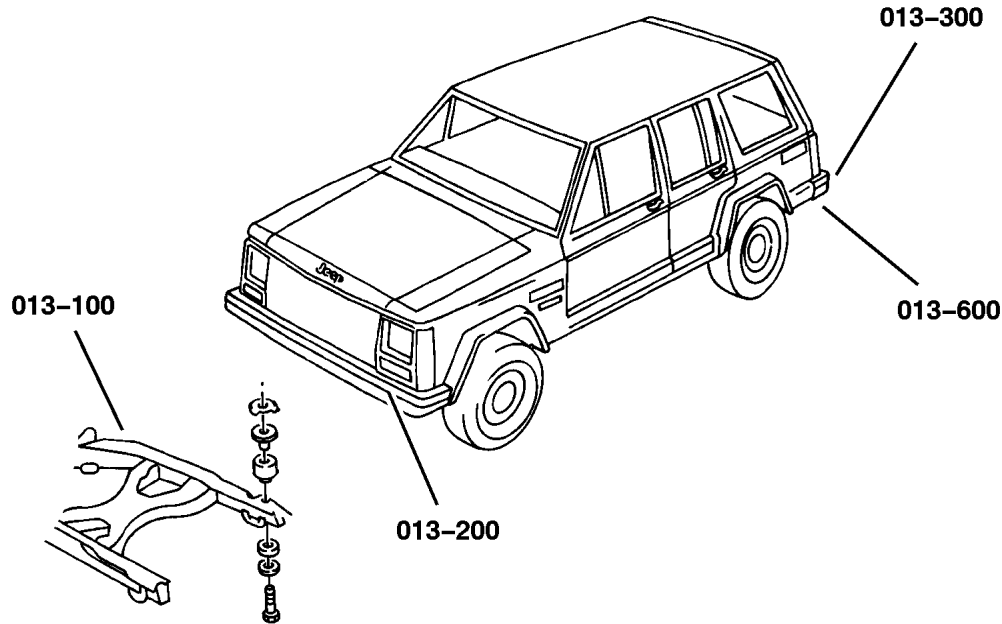
Rear Bumper and Fascia

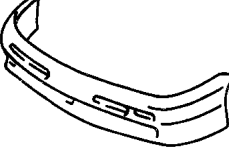


Bumper, Rear Fig. 013-340

Trailer Tow

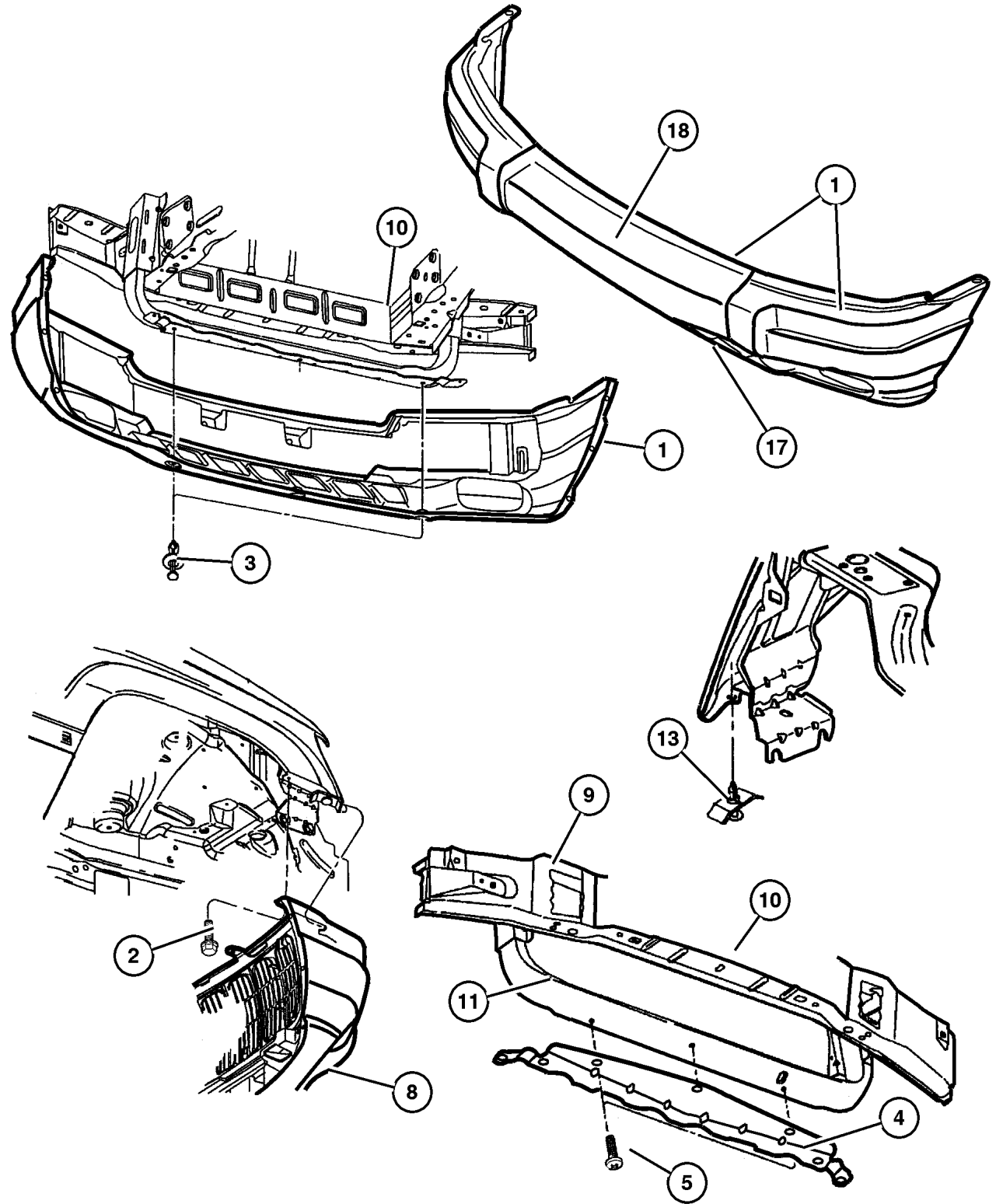
Tow Eye Fig. 013-610

Rear Hitch Fig. 013-620



<p>013-200 Front Bumper and Fascia</p> 	<p>013-300 Rear Bumper and Fascia</p> 	<p>013-600 Trailer Tow</p> 	
---	--	---	--

Bumper, Front Figure 013-240



ITEM	PART NUMBER	QTY	LINE	SERIES	BODY	ENGINE	TRANS	TRIM	DESCRIPTION
1									FASCIA, Front
	#5JF80 WLPAB	1		H					[FF], With Fog Lamps [LNJ]
	#5JF80 ZSPAB	1		H					[XR], With Fog Lamps [LNJ]
	#5JF80 RXFAC	1		H					With [ADM,AER] Freedom or Rocky Mountain Edition With Fog Lamps[LNJ]
	#5JF81 RXFAC	1		H					With [ADM,AER] Freedom or Rocky Mountain Edition Without Fog Lamps[LNJ]
	#5JF81 WLPAB	1		H					[FF], Without Fog Lamps [LNJ]
		1		H					[MQ], Without Fog Lamps [LNJ]
		1		H					[W1], Without Fog Lamps [LNJ]
	#5JF81 ZSPAB	1		H					[B8], Without Fog Lamps [LNJ]
		1		H					[BQ], Without Fog Lamps [LNJ]
		1		H					[DR], Without Fog Lamps [LNJ]
		1		H					[EL], Without Fog Lamps [LNJ]
	#5JF80 WLPAB	1		H					[MQ], With Fog Lamps [LNJ]
	#5JF81 ZSPAB	1		H					[JR], Without Fog Lamps [LNJ]
		1		H					[SB], Without Fog Lamps [LNJ]
		1		H					[XR], Without Fog Lamps [LNJ]
	#5JF89 AXRAC	1		H					[XR], [ADZ,ALZ], With Fog Lamps [LNJ]
	#5JF89 BB8AC	1		H					[B8], [ADZ,ALZ], With Fog Lamps [LNJ]
	#5JF89 SW1AC	1		H					[W1], [ADZ,ALZ], With Fog Lamps [LNJ]
	#5JF89 WELAC	1		H					[EL], [ADZ,ALZ], With Fog Lamps [LNJ]
	#5JF89 WSBAC	1		H					[SB], [ADZ,ALZ], With Fog Lamps [LNJ]
	#5JF89 XBQAC	1		H					[BQ], [ADZ,ALZ], With Fog Lamps [LNJ]
	#5JF89 YFFAC	1		H					[FF], [ADZ,ALZ], With Fog Lamps [LNJ]
	#5JF80 WLPAB	1		H					[W1], With Fog Lamps [LNJ]
	#5JF89 YJRAC	1		H					[JR], [ADZ,ALZ], With Fog Lamps [LNJ]
	#5JF89 ZDRAC	1		H					[DR], [ADZ,ALZ], With Fog Lamps [LNJ]
	#5JF89 ZMQAC	1		H					[MQ], [ADZ,ALZ], With Fog Lamps [LNJ]

JEEP GRAND CHEROKEE (WJ)

SERIES	LINE	BODY	ENGINE	TRANSMISSION
H = Laredo	J = 4WD	74 = 4 Door	ERH = 4.0L, Power Tech I-6	DGK = 4 Speed Auto, 42RE
M = Sport	T = 2WD		EVA = 4.7L Power Tech V8	DGQ = 5 Speed Auto, 45RFE
P = Limited			EVC = 4.7L HO V8 MPI	DG0 = All Automatic Trans
S = Overland			ER0 = All 4.0L 6 Cyl Gas	
			EVO = All 4.7L Gas	

AR = Use as required - = Non illustrated part # = New this model year

December 1, 2003

Bumper, Front Figure 013-240

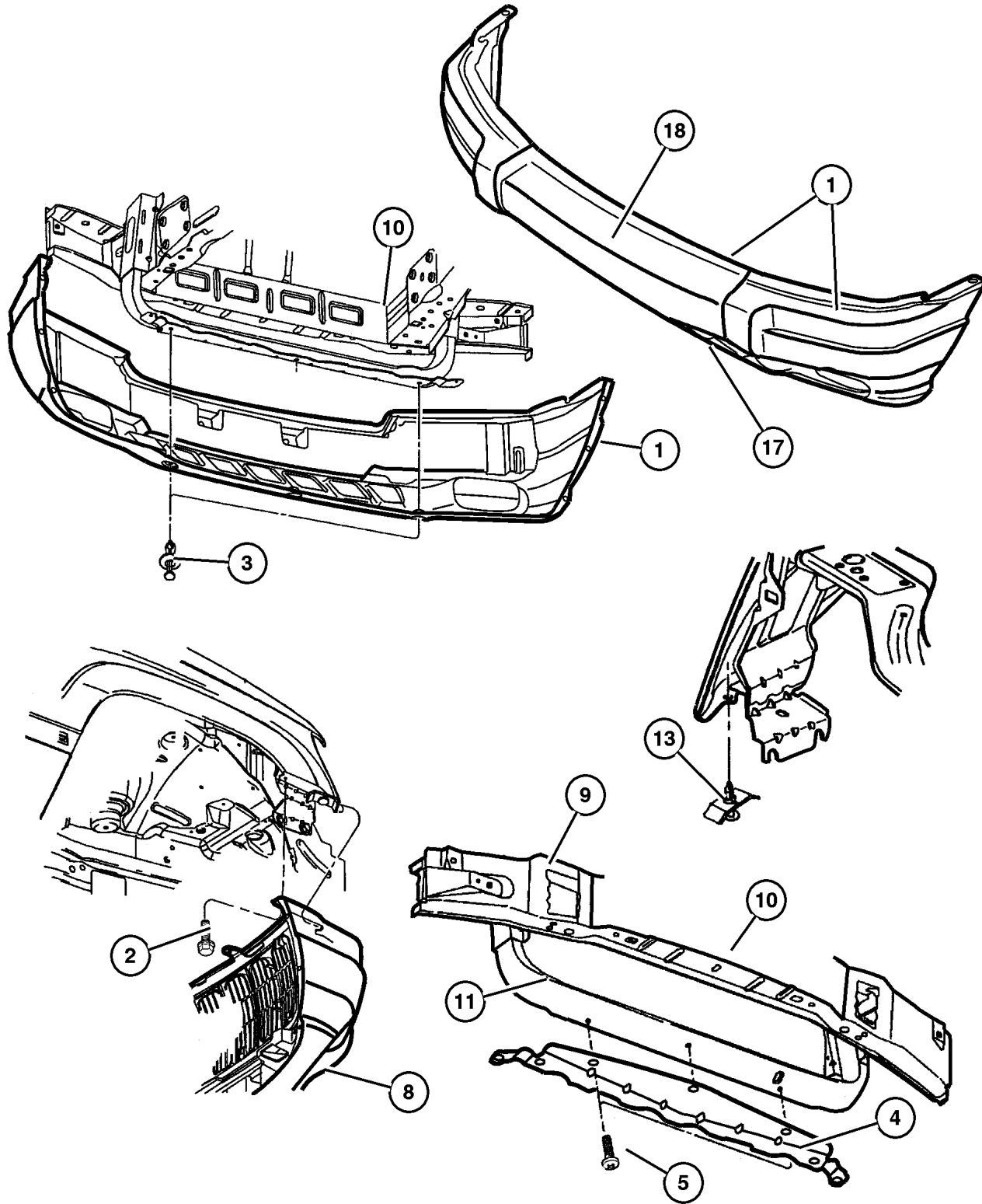
ITEM	PART NUMBER	QTY	LINE	SERIES	BODY	ENGINE	TRANS	TRIM	DESCRIPTION
	#5JF89 TZZAD	1		H					[AYG]
	#5JF80 WLPAB	1		M					[FF], With Fog Lamps [LNJ]
		1		M					[MQ], With Fog Lamps [LNJ]
		1		M					[W1], With Fog Lamps [LNJ]
	#5JF80 ZSPAB	1		M					[B8], With Fog Lamps [LNJ]
		1		M					[BQ], With Fog Lamps [LNJ]
		1		M					[DR], With Fog Lamps [LNJ]
		1		H					[B8], With Fog Lamps [LNJ]
		1		M					[EL], With Fog Lamps [LNJ]
		1		M					[JR], With Fog Lamps [LNJ]
		1		M					[SB], With Fog Lamps [LNJ]
		1		M					[XR], With Fog Lamps [LNJ]
	#5JF89 AXRAB	1		P					[XR]
	#5JF89 BB8AB	1		P					[B8]
	#5JF89 SW1AB	1		P					[W1]
	#5JF89 WELAB	1		P					[EL]
	#5JF89 WSBAB	1		P					[SB]
	#5JF89 XBQAB	1		P					[BQ]
	#5JF80 ZSPAB	1		H					[BQ], With Fog Lamps [LNJ]
	#5JF89 YFFAB	1		P					[FF]
	#5JF89 YJRAB	1		P					[JR]
	#5JF89 ZDRAB	1		P					[DR]
	#5JF89 ZMQAB	1		P					[MQ]
	#5JF89 AXRAB	1		S					[XR]
	#5JF89 BB8AB	1		S					[B8]
	#5JF89 WELAB	1		S					[EL]
	#5JF89 WSBAB	1		S					[SB]
	#5JF89 YJRAB	1		S					[JR]
	#5JF89 ZDRAB	1		S					[DR]
	#5JF80 ZSPAB	1		H					[DR], With Fog Lamps [LNJ]
		1		H					[EL], With Fog Lamps [LNJ]
		1		H					[JR], With Fog Lamps [LNJ]
		1		H					[SB], With Fog Lamps [LNJ]
2	6505 813AA	2							SCREW, Hex Flange Head
3	5517 6248	3							PIN, Push
4	#55296 138AB	1							BRACKET, Fascia
5									SCREW, M6x1.00x15.00, (NOT SERVICED) (Not Serviced)
-6									SCREW, (NOT SERVICED) (Not Serviced)
-7	6505 813AA	2							SCREW, Hex Flange Head
8	#55156 796AA	1							LICENSE PLATE KIT

JEEP GRAND CHEROKEE (WJ)

SERIES	LINE	BODY	ENGINE	TRANSMISSION
H = Laredo	J = 4WD	74 = 4 Door	ERH = 4.0L, Power Tech I-6	DGK = 4 Speed Auto, 42RE
M = Sport	T = 2WD		EVA = 4.7L Power Tech V8	DGQ = 5 Speed Auto, 45RFE
P = Limited			EVC = 4.7L HO V8 MPI	DG0 = All Automatic Trans
S = Overland			ER0 = All 4.0L 6 Cyl Gas	
			EVO = All 4.7L Gas	

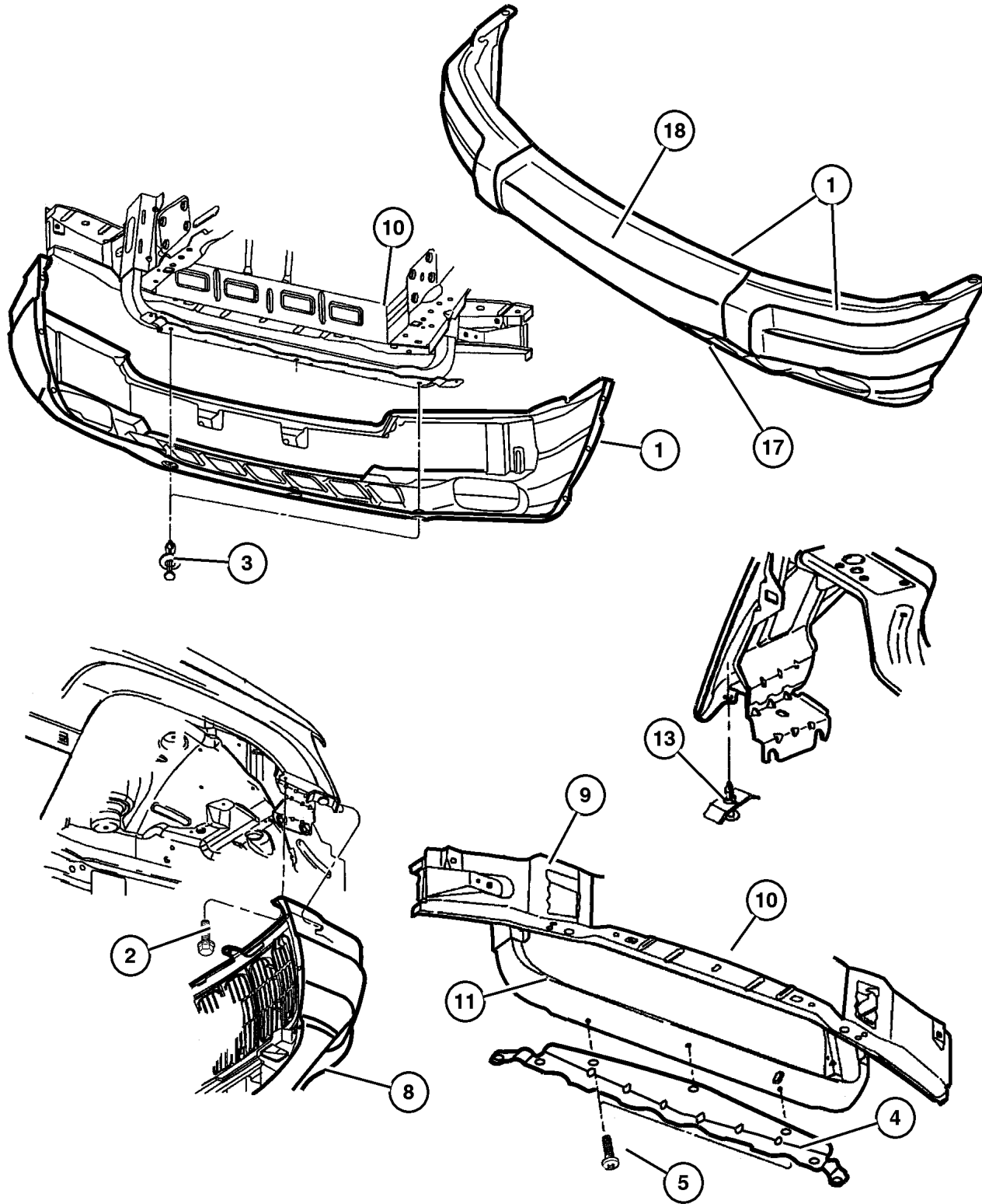
AR = Use as required - = Non illustrated part # = New this model year

December 1, 2003



Bumper, Front Figure 013-240

ITEM	PART NUMBER	QTY	LINE	SERIES	BODY	ENGINE	TRANS	TRIM	DESCRIPTION
9	#55135 880AC	1							CROSSMEMBER, Radiator, Front Lower Front
10	55136 113AD	1							CROSSMEMBER, Radiator
11	55135 870AE	1							CROSSMEMBER, Radiator
-12	55136 170AC	1							BRACKET, Radiator
13	6505 361AA	2							PIN, Push
-14	#55156 729AB	1		P					ABSORBER, Front Energy
		1		H					
		1		M					
-15	6505 667AA	4							PIN, Deflector
-16	#55115 928AB	1							DEFLECTOR, Radiator
17									PLATE, Fascia, Lower
	#55156 781AB	1		P					Chrome
		1		S					
	#55156 782AB	1		X					
		1		H					
18	#5JU71 WS2AA	1		H					TRIM PLATE, Fascia Front, Upper



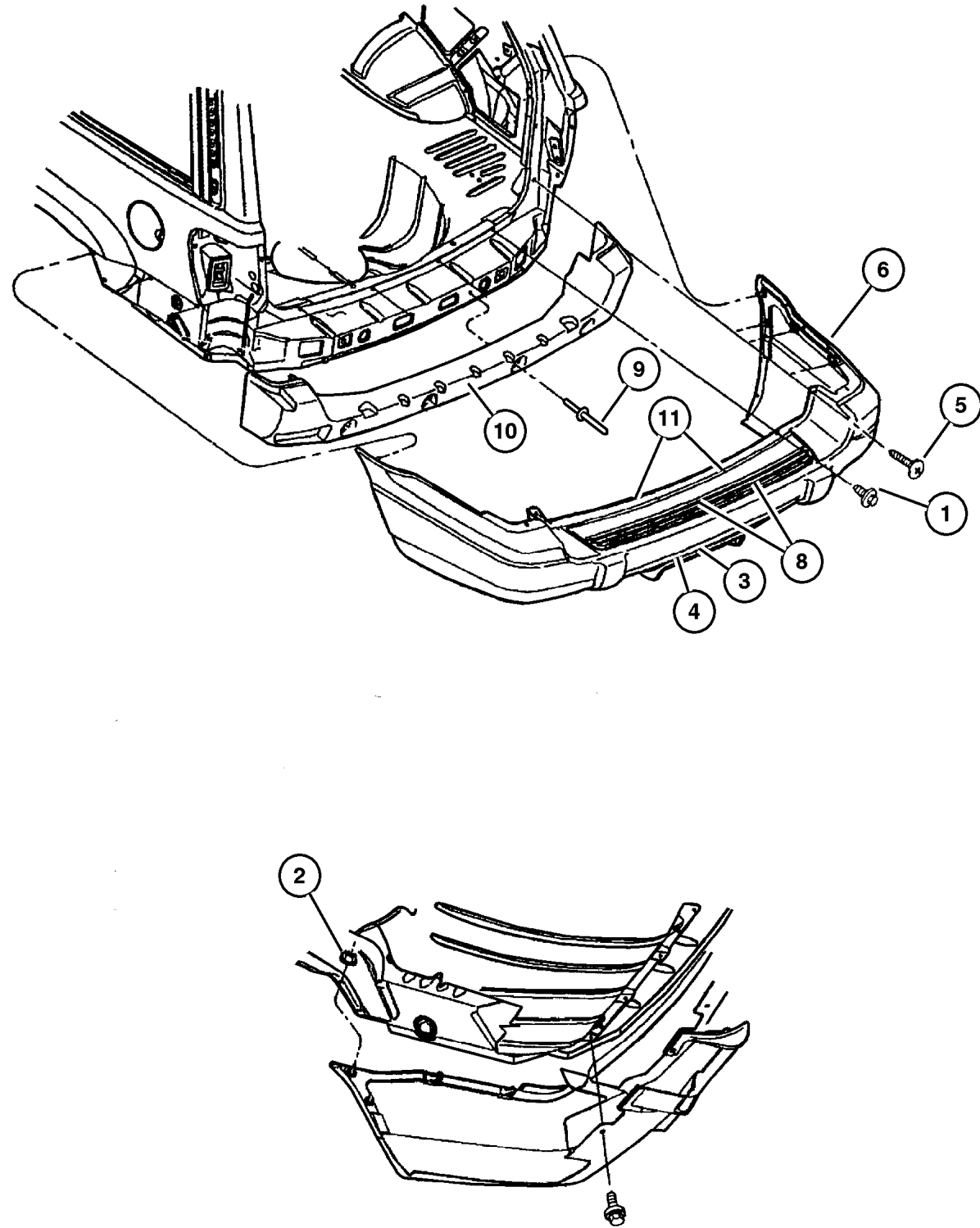
JEEP GRAND CHEROKEE (WJ)

SERIES	LINE	BODY	ENGINE	TRANSMISSION
H = Laredo	J = 4WD	74 = 4 Door	ERH = 4.0L, Power Tech I-6	DGK = 4 Speed Auto, 42RE
M = Sport	T = 2WD		EVA = 4.7L Power Tech V8	DGQ = 5 Speed Auto, 45RFE
P = Limited			EVC = 4.7L HO V8 MPI	DG0 = All Automatic Trans
S = Overland			ER0 = All 4.0L 6 Cyl Gas	
			EVO = All 4.7L Gas	

AR = Use as required - = Non illustrated part # = New this model year

December 1, 2003

Bumper, Rear
Figure 013-340



ITEM	PART NUMBER	QTY	LINE	SERIES	BODY	ENGINE	TRANS	TRIM	DESCRIPTION
1	5517 6248	3							PIN, Push
2	6101 447	2							NUT
3	3420 1631	6							RIVET, M6.25x28 Black
4	6505 813AA	2							SCREW, Hex Flange Head
5	6035 412	1							SCREW
6									FASCIA, Rear
	5012 804AB	1		P					Without Trailer Tow [AHT,AHX]
	5EU81 WLPAB	1		H					[MQ], Without Trailer Tow [AHT, AHX], Without [ALZ]
		1		H					[W1], Without Trailer Tow [AHT, AHX], Without [ALZ]
	5EU81 ZSPAB	1		H					[B8], Without Trailer Tow [AHT, AHX], Without [ALZ]
		1		H					[BQ], Without Trailer Tow [AHT, AHX], Without [ALZ]
		1		H					[DR], Without Trailer Tow [AHT, AHX], Without [ALZ]
		1		H					[EL], Without Trailer Tow [AHT, AHX], Without [ALZ]
		1		H					[JR], Without Trailer Tow [AHT, AHX], Without [ALZ]
		1		H					[SB], Without Trailer Tow [AHT, AHX], Without [ALZ]
		1		H					[XR], Without Trailer Tow [AHT, AHX], Without [ALZ]
	5FY08 1LP AE	1		H					[FF], With Trailer Tow [AHT,AHX], Without [ALZ]
	5012 936AB	1		P					With Trailer Tow [AHT,AHX]
	5FY08 1LP AE	1		H					[MQ], With Trailer Tow [AHT,AHX], Without [ALZ]
		1		H					[W1], With Trailer Tow [AHT,AHX], Without [ALZ]
	5FY08 1SP AE	1		H					[B8], With Trailer Tow [AHT,AHX], Without [ALZ]
		1		H					[BQ], With Trailer Tow [AHT,AHX], Without [ALZ]
		1		H					[DR], With Trailer Tow [AHT,AHX], Without [ALZ]
		1		H					[EL], With Trailer Tow [AHT,AHX], Without [ALZ]
		1		H					[JR], With Trailer Tow [AHT,AHX], Without [ALZ]

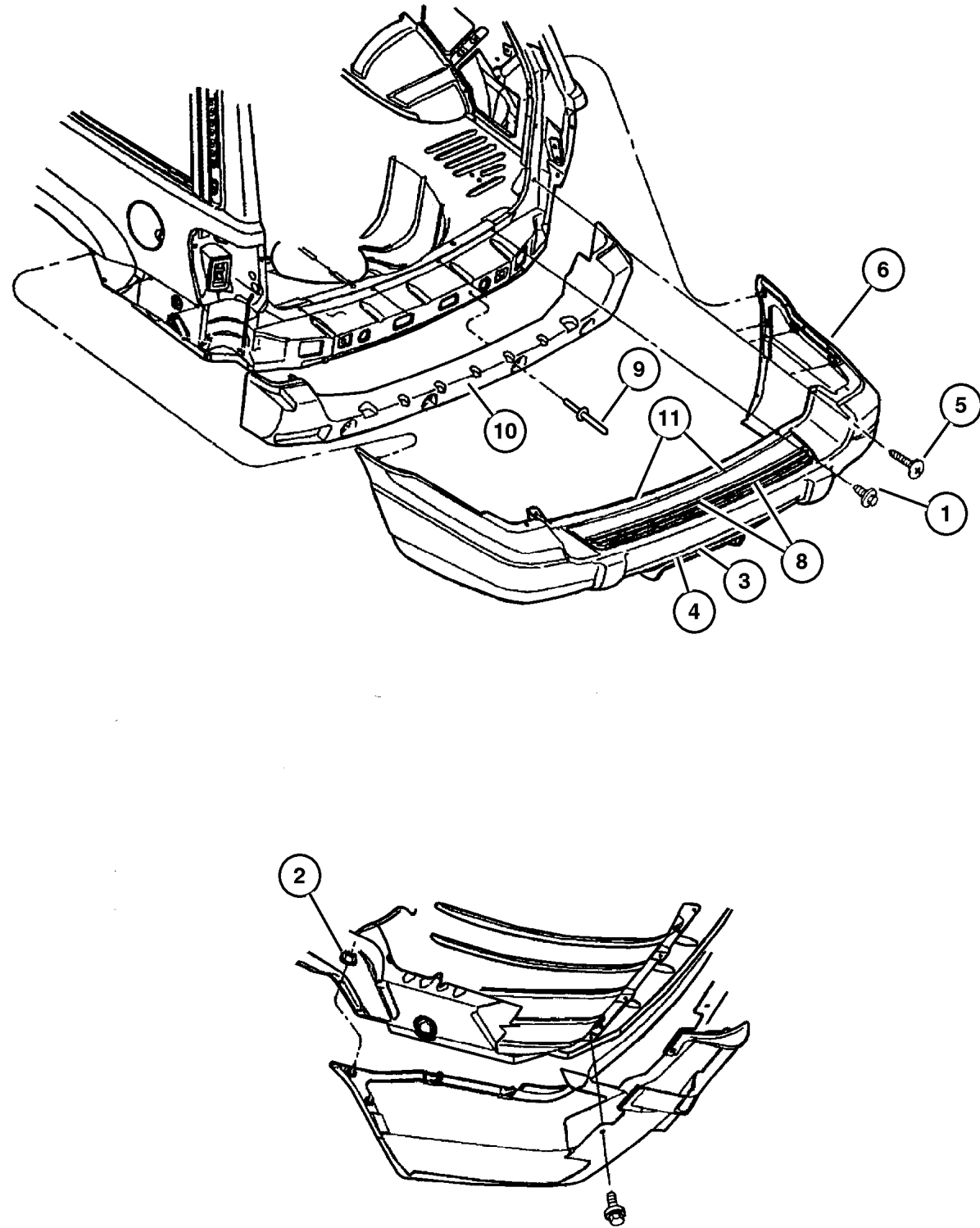
JEEP GRAND CHEROKEE (WJ)

SERIES	LINE	BODY	ENGINE	TRANSMISSION
H = Laredo	J = 4WD	74 = 4 Door	ERH = 4.0L, Power Tech I-6	DGK = 4 Speed Auto, 42RE
M = Sport	T = 2WD		EVA = 4.7L Power Tech V8	DGQ = 5 Speed Auto, 45RFE
P = Limited			EVC = 4.7L HO V8 MPI	DG0 = All Automatic Trans
S = Overland			ER0 = All 4.0L 6 Cyl Gas	
			EVO = All 4.7L Gas	

AR = Use as required - = Non illustrated part # = New this model year

December 1, 2003

Bumper, Rear Figure 013-340



ITEM	PART NUMBER	QTY	LINE	SERIES	BODY	ENGINE	TRANS	TRIM	DESCRIPTION
		1		H					[SB], With Trailer Tow [AHT,AHX], Without [ALZ]
		1		H					[XR], With Trailer Tow [AHT,AHX], Without [ALZ]
	5EU81 WLPAB	1		M					[FF], Without Trailer Tow [AHT, AHX]
	5012 936AB	1	J	S					With Trailer Tow [AHT,AHX]
	5EU81 WLPAB	1		M					[MQ], Without Trailer Tow [AHT, AHX]
		1		M					[W1], Without Trailer Tow [AHT, AHX]
	5EU81 ZSPAB	1		M					[B8], Without Trailer Tow [AHT, AHX]
		1		M					[BQ], Without Trailer Tow [AHT, AHX]
		1		M					[DR], Without Trailer Tow [AHT, AHX]
		1		M					[EL], Without Trailer Tow [AHT, AHX]
		1		M					[JR], Without Trailer Tow [AHT, AHX]
		1		M					[SB], Without Trailer Tow [AHT, AHX]
		1		M					[XR], Without Trailer Tow [AHT, AHX]
	5FY08 1LPAE	1		M					[FF], With Trailer Tow [AHT,AHX]
	5012 804AB	1	J	S					Without Trailer Tow [AHT,AHX]
	5FY08 1LPAE	1		M					[MQ], With Trailer Tow [AHT,AHX]
		1		M					[W1], With Trailer Tow [AHT,AHX]
	5FY08 1SPAE	1		M					[B8], With Trailer Tow [AHT,AHX]
		1		M					[BQ], With Trailer Tow [AHT,AHX]
		1		M					[DR], With Trailer Tow [AHT,AHX]
		1		M					[EL], With Trailer Tow [AHT,AHX]
		1		M					[JR], With Trailer Tow [AHT,AHX]
	5012 804AB	1		M					[SB], With Trailer Tow [AHT,AHX]
		1		H					Without Trailer Tow [AHT,AHX], With [ALZ,ADZ]
	5012 936AB	1		H					With Trailer Tow [AHT,AHX], With [ALZ,ADZ]
	5EU81 RXFAB	1		H					[ADM,AER], Without Trailer Tow [AHT,AHX]

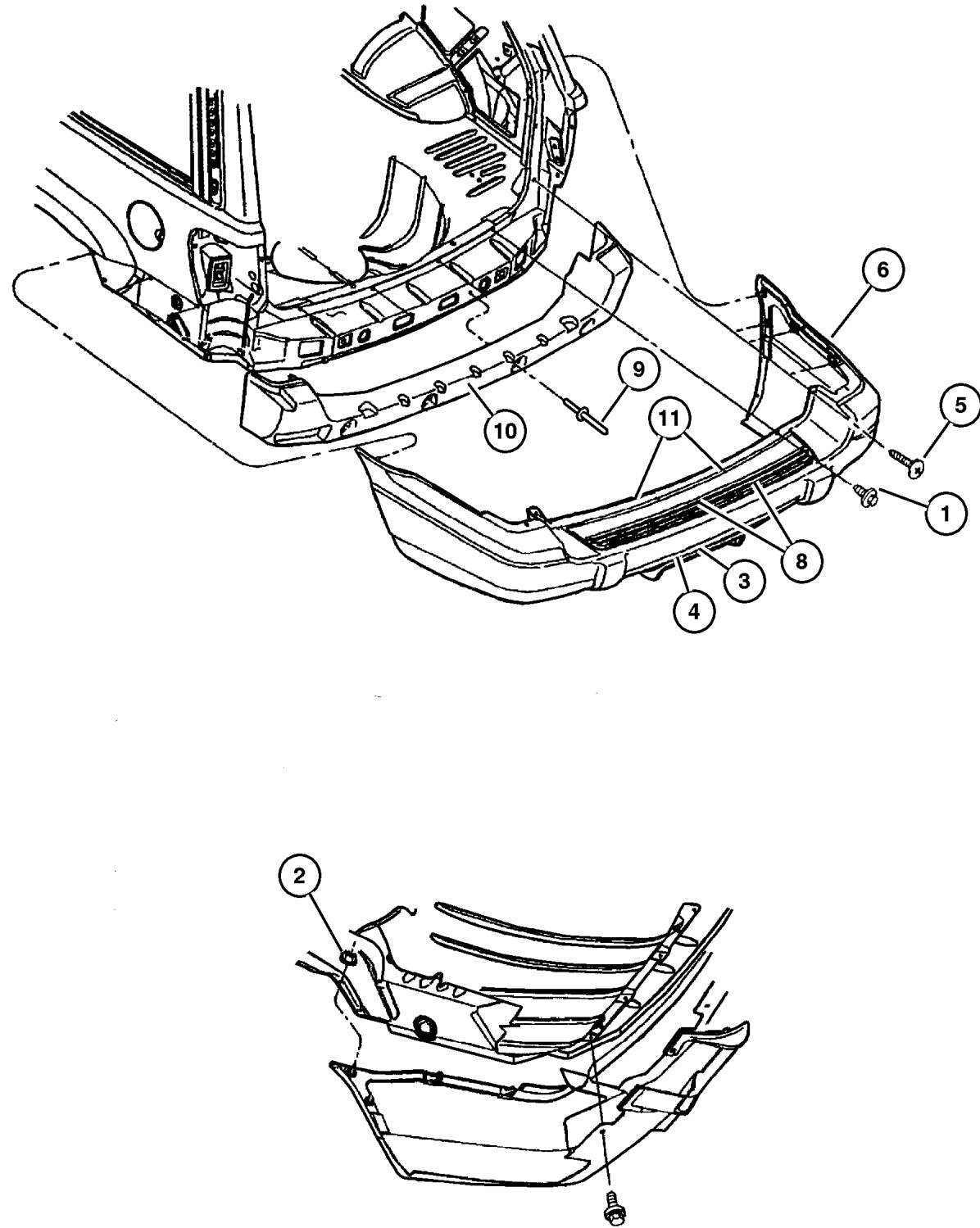
JEEP GRAND CHEROKEE (WJ)

SERIES	LINE	BODY	ENGINE	TRANSMISSION
H = Laredo	J = 4WD	74 = 4 Door	ERH = 4.0L, Power Tech I-6	DGK = 4 Speed Auto, 42RE
M = Sport	T = 2WD		EVA = 4.7L Power Tech V8	DGQ = 5 Speed Auto, 45RFE
P = Limited			EVC = 4.7L HO V8 MPI	DG0 = All Automatic Trans
S = Overland			ER0 = All 4.0L 6 Cyl Gas	
			EVO = All 4.7L Gas	

AR = Use as required - = Non illustrated part # = New this model year

December 1, 2003

Bumper, Rear Figure 013-340



ITEM	PART NUMBER	QTY	LINE	SERIES	BODY	ENGINE	TRANS	TRIM	DESCRIPTION
	5FY08 1XFAE	1		H					[ADM,AER], With Trailer Tow [AHT, AHX]
	5EU81 WLPAB	1		H					[FF], Without Trailer Tow [AHT, AHX], Without [ALZ]
-7									CLIP, Fascia, Locating
	55156 719AA	1		H					STEP PAD PACKAGE, Rear Fascia
		1		M					
		1		P					
8									RIVET, (NOT SERVICED) (Not Serviced)
	WC12 VF7AA	1	J	S					
	YE43 XXXAA	1		H					
		1		P					
9									RIVET, (NOT SERVICED) (Not Serviced)
10	55156 740AA	1							ABSORBER, Rear Energy
11	6503 106	8							RETAINER, Push In Type M6.3 Hole
-12									RETAINER, Fascia
	55155 500AG	1		M					Right
	55155 501AG	1		M					Left
	55155 500AG	1		P					Right
	55155 501AG	1		P					Left
	55155 500AG	1		H					Right
	55155 501AG	1		H					Left
	55155 500AG	1	J	S					Right
	55155 501AG	1	J	S					Left
-13									BEZEL, Hitch
	5FY07 DX9AA	1		H					With [ALZ]
	5FY10 1LPAA	1		H					
	5FY07 DX9AA	1	J	S					
		1		P					

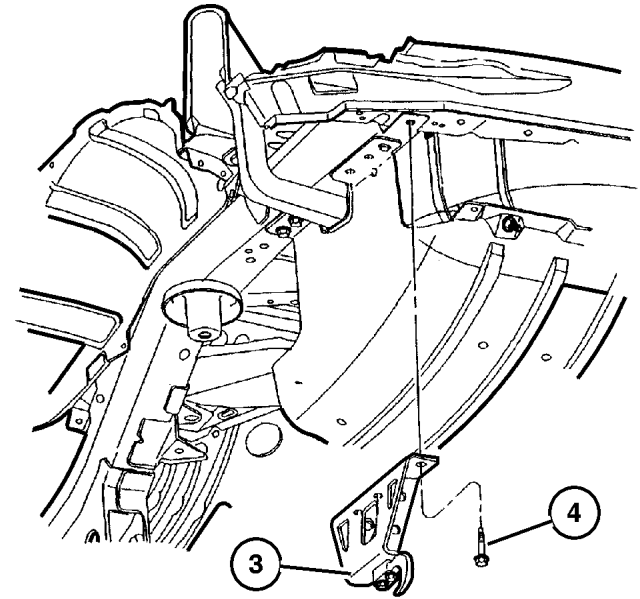
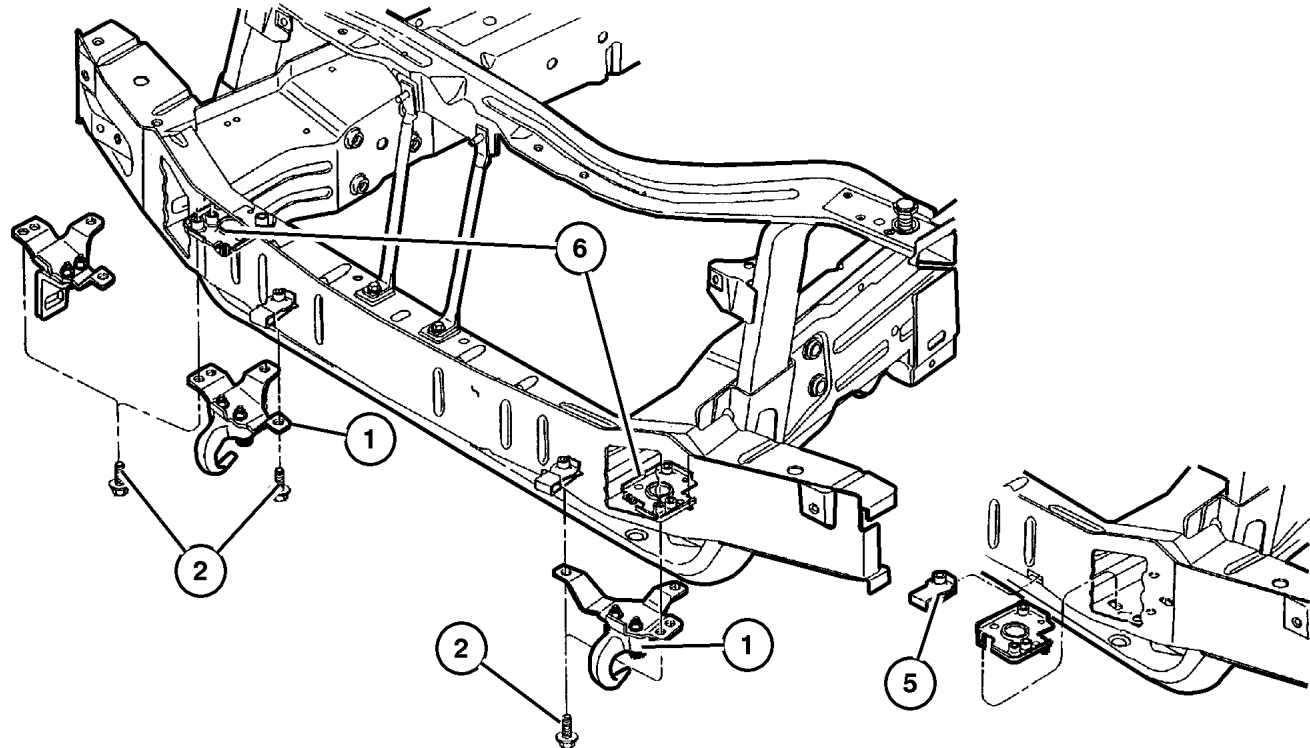
JEEP GRAND CHEROKEE (WJ)

SERIES	LINE	BODY	ENGINE	TRANSMISSION
H = Laredo	J = 4WD	74 = 4 Door	ERH = 4.0L, Power Tech I-6	DGK = 4 Speed Auto, 42RE
M = Sport	T = 2WD		EVA = 4.7L Power Tech V8	DGQ = 5 Speed Auto, 45RFE
P = Limited			EVC = 4.7L HO V8 MPI	DG0 = All Automatic Trans
S = Overland			ER0 = All 4.0L 6 Cyl Gas	
			EVO = All 4.7L Gas	

AR = Use as required - = Non illustrated part # = New this model year

December 1, 2003

**Tow Eye
Figure 013-610**



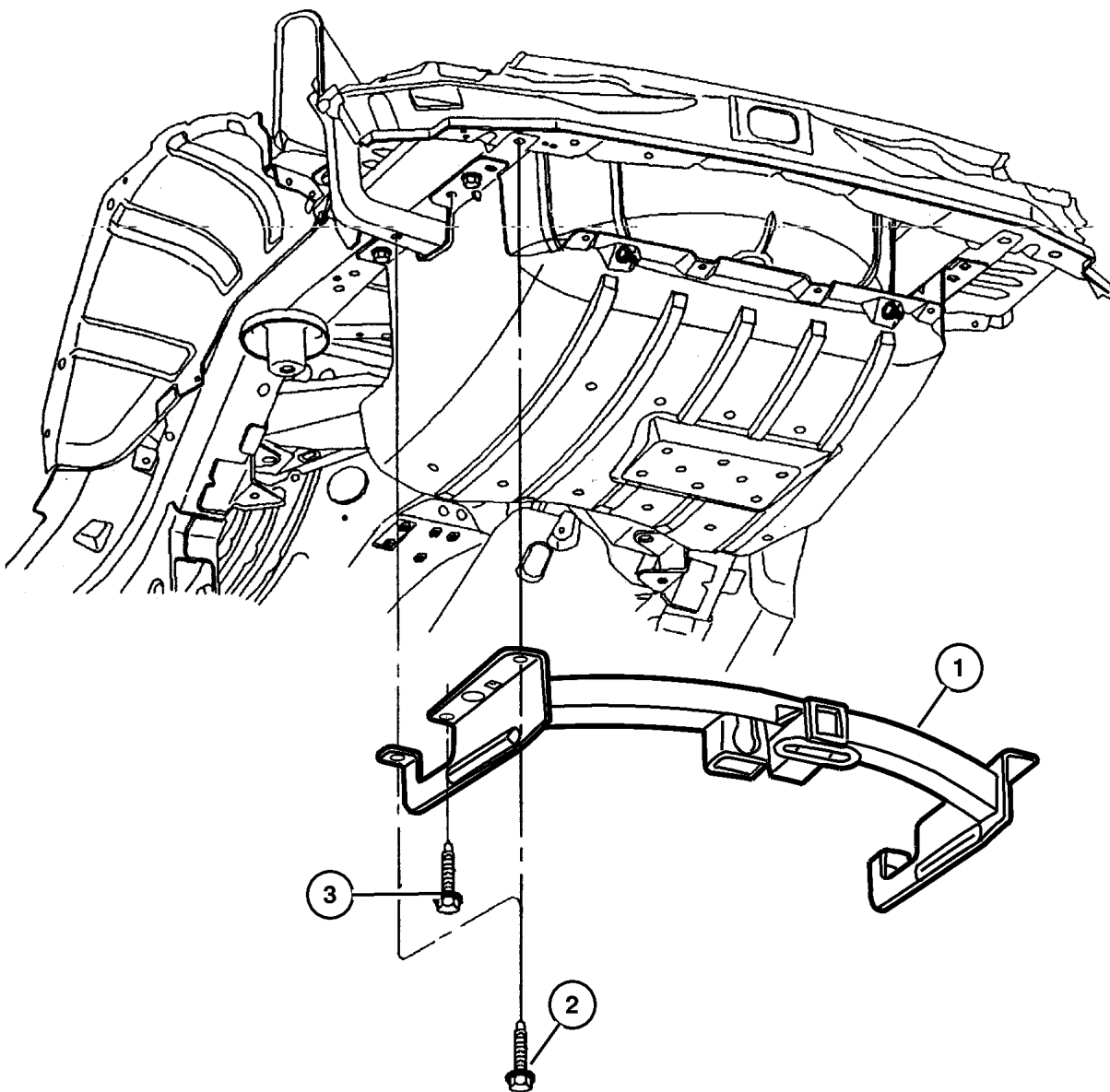
ITEM	PART NUMBER	QTY	LINE	SERIES	BODY	ENGINE	TRANS	TRIM	DESCRIPTION
1									HOOK, Tow
	52059 415AA	1							Chrome, Left Front
	52059 416AA	1							Chrome, Right Front
	52059 012AB	1							Painted, Right Front
	52059 013AB	1							Painted, Left Front
2	6101 102	8							BOLT, Hex Head, M12x1.75x45
3	52059 014AC	1							HOOK, Tow, Rear
4									SCREW AND WASHER, M10x1.50x35, (NOT SERVICED) (Not Serviced)
5									NUT, (NOT SERVICED) (Not Serviced)
6									TAPPING PLATE, Tow Hook
	52059 156AA	1							Right
	52059 157AA	1							Left
-7	52059 366AA	1							CAP, Tow Hook

JEEP GRAND CHEROKEE (WJ)				
SERIES	LINE	BODY	ENGINE	TRANSMISSION
H = Laredo	J = 4WD	74 = 4 Door	ERH = 4.0L, Power Tech I-6	DGK = 4 Speed Auto, 42RE
M = Sport	T = 2WD		EVA = 4.7L Power Tech V8	DGQ = 5 Speed Auto, 45RFE
P = Limited			EVC = 4.7L HO V8 MPI	DG0 = All Automatic Trans
S = Overland			ER0 = All 4.0L 6 Cyl Gas	
			EVO = All 4.7l Gas	

AR = Use as required - = Non illustrated part # = New this model year December 1, 2003

Rear Hitch Figure 013-620

ITEM	PART NUMBER	QTY	LINE	SERIES	BODY	ENGINE	TRANS	TRIM	DESCRIPTION
1	55136 098AD	1							RECEIVER KIT, Trailer Tow
2	6101 102	8							BOLT, Hex Head, M12x1.75x45
3	6503 571	4							SCREW AND WASHER, M10x1.50x35
-4	52059 238AA	1							BRACE, Tow Hook



JEEP GRAND CHEROKEE (WJ)

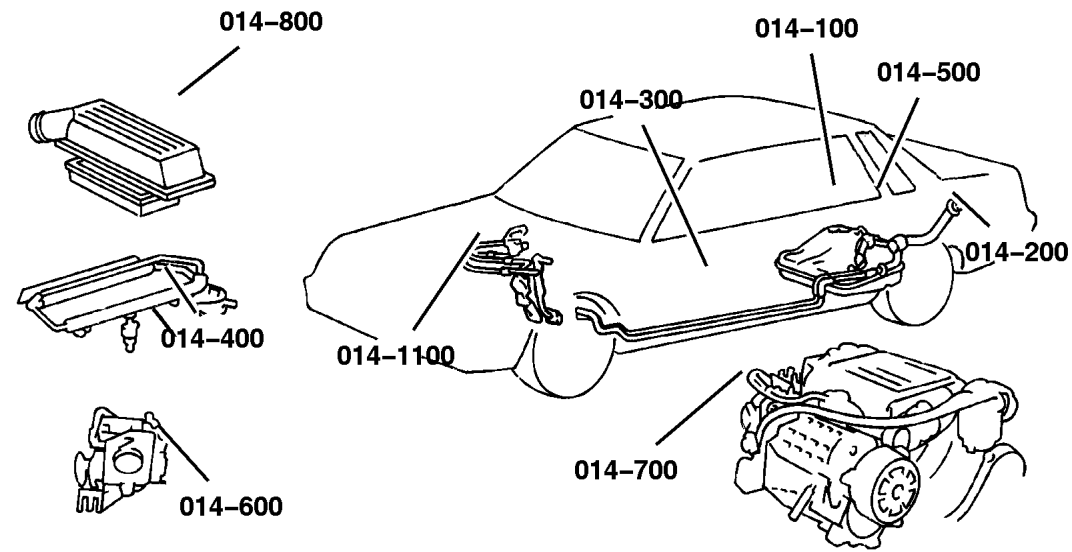
SERIES	LINE	BODY	ENGINE	TRANSMISSION
H = Laredo	J = 4WD	74 = 4 Door	ERH = 4.0L, Power Tech I-6	DGK = 4 Speed Auto, 42RE
M = Sport	T = 2WD		EVA = 4.7L Power Tech V8	DGQ = 5 Speed Auto, 45RFE
P = Limited			EVC = 4.7L HO V8 MPI	DG0 = All Automatic Trans
S = Overland			ER0 = All 4.0L 6 Cyl Gas	
			EVO = All 4.7L Gas	

AR = Use as required - = Non illustrated part # = New this model year

December 1, 2003

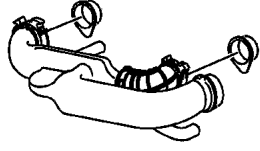
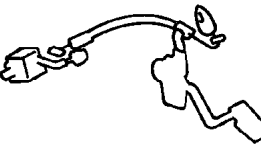

Group – 014

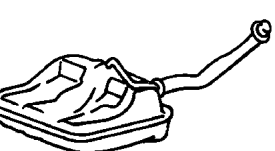

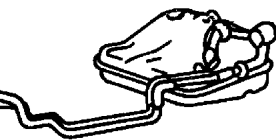
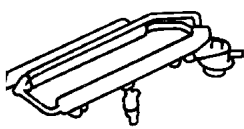
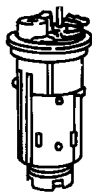

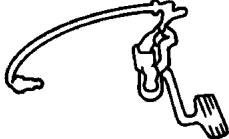
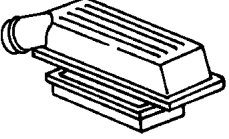
Fuel



Group – 014

Fuel

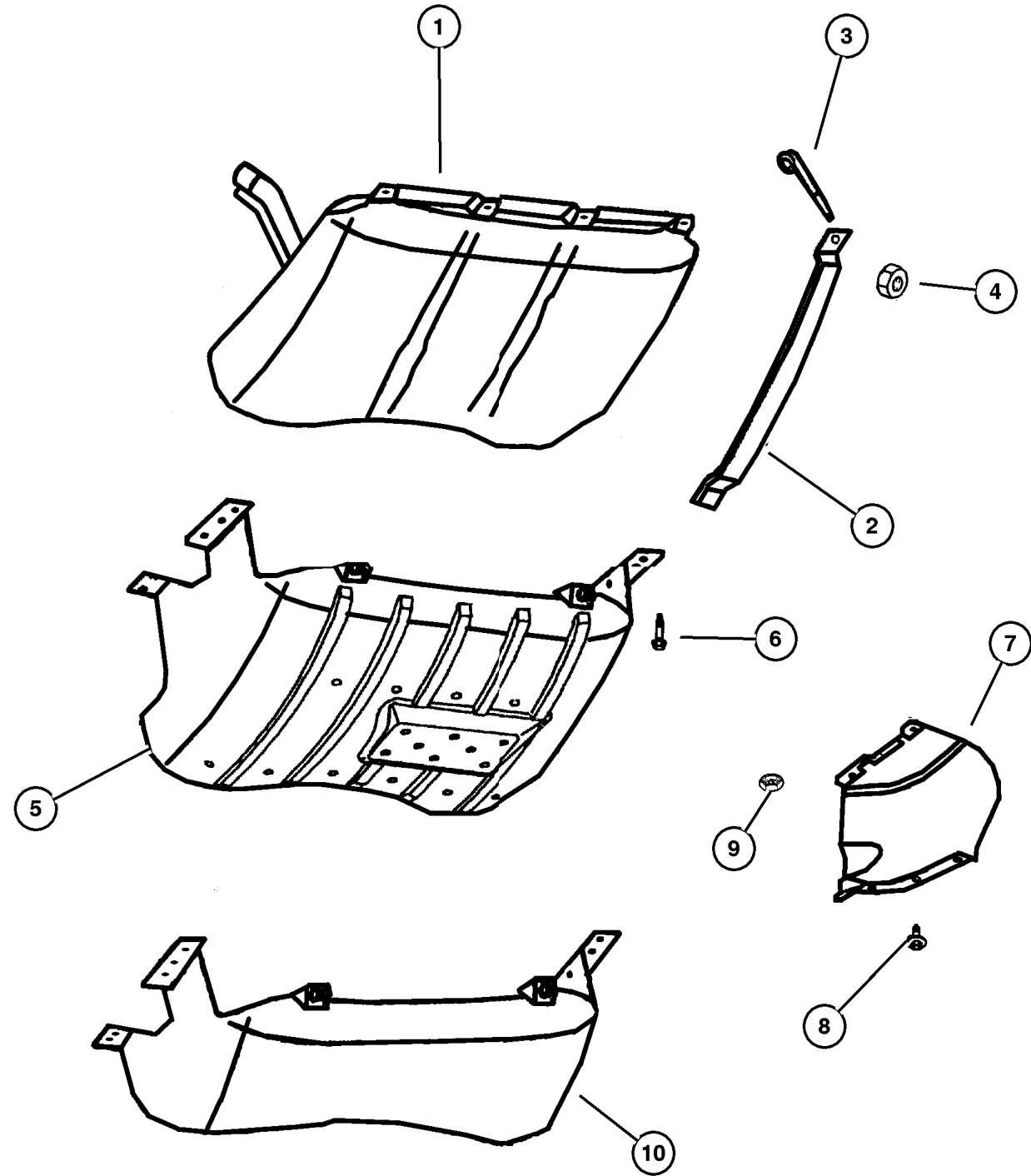
014-900 Air Intake System 	014-1000 Speed Control 	014-1100 Accelerator Pedal 	
--	---	---	--

014-100 Tank, Fuel 	014-200 Fuel Tank Filler Tube 	014-300 Fuel Lines 	014-400 Fuel Rail 
014-500 Fuel Pump and Sending Unit 	014-600 Throttle Body 	014-700 Throttle Controls 	014-800 Air Cleaner 

GROUP 14 - Fuel

Illustration Title	Group-Fig. No.
Tank, Fuel	
Fuel Tank, 4.0 [ERH], 4.7 [EVA, EVC]	Fig. 014-110
Fuel Tank Filler Tube	
Fuel Tank Filler Tube, 4.0 [ERH], 4.7 [EVA, EVC]	Fig. 014-210
Fuel Lines	
Fuel Lines, Front, 4.0 [ERH]	Fig. 014-310
Fuel Lines, Rear, 4.0 [ERH]	Fig. 014-320
Fuel Lines, Front, 4.7 [EVA, EVC]	Fig. 014-330
Fuel Lines, Rear, 4.7 [EVA, EVC]	Fig. 014-340
Fuel Rail	
Fuel Rail, 4.0 [ERH], 4.7 [EVA, EVC]	Fig. 014-410
Fuel Pump and Sending Unit	
Fuel Pump and Sending Unit, 4.0 [ERH], 4.7 [EVA, EVC]	Fig. 014-510
Throttle Body	
Throttle Body, 4.0 [ERH], 4.7 [EVA, EVC]	Fig. 014-610
Throttle Controls	
Throttle Controls, 4.0 [ERH]	Fig. 014-710
Throttle Controls, 4.7 [EVA, EVC]	Fig. 014-720
Air Cleaner	
Air Cleaner, 4.0 [ERH]	Fig. 014-810
Air Cleaner, 4.7 [EVA, EVC]	Fig. 014-820
Air Intake System	
Air Intake System, 4.0L [ERH], 4.7L [EVA]	Fig. 014-910
Speed Control	
Speed Control, 4.0 [ERH], 4.7 [EVA, EVC]	Fig. 014-1010
Accelerator Pedal	
Accelerator Pedal, 4.0 [ERH], 4.7 [EVA, EVC]	Fig. 014-1110
Pedal Brake, Power Adjustable	Fig. 014-1120

Fuel Tank, 4.0 [ERH], 4.7 [EVA, EVC]
Figure 014-110

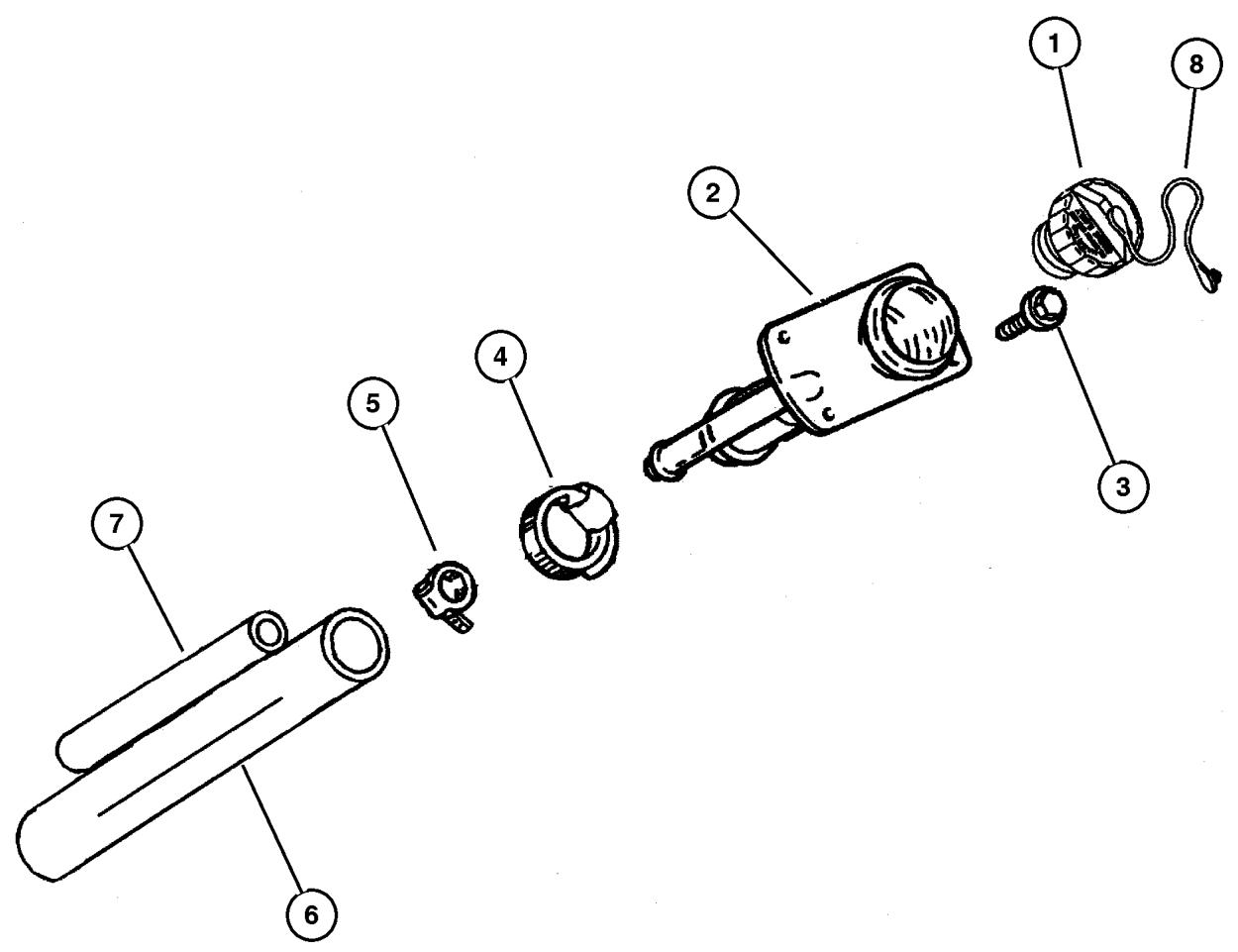


ITEM	PART NUMBER	QTY	LINE	SERIES	BODY	ENGINE	TRANS	TRIM	DESCRIPTION
Note; Sales Codes									
[AHT]= Trailer Tow Group									
[XEE]= Fuel Tank Skid Plate									
1	52100 427AH	1							TANK, Fuel, Liquid Shutoff Control -Fuel Fill Check -Tank Pressure Relief & Rollover Valves. Service with tank
2	5210 0216	2							STRAP, Fuel Tank
3	6504 171	2							SCREW, Hex Flange Head, M8x1.25x32
4	6100 517	2							NUT, Hex Flange Lock
5	52100 376AG	1							SKID PLATE, Fuel Tank, With [XEE]
6	6101 102	8							BOLT, Hex Head, M12x1.75x45
7	55136 160AE	1							SHIELD, Fuel Tank
8	3420 1631	6							RIVET, M6.25x28 Black
9									NUT, Heat Shield Attach, (NOT SERVICED) (Not Serviced)
10									GUARD, Brush, Fuel Tank, Serviced in Item#5, (NOT SERVICED) (Not Serviced)
-11									STRAP, Fuel Tank
	52080 141AB	1							Support Front
	52080 142AA	1							Support Rear With [AHT]
	52080 143AA	1							Support Rear Without [AHT]

JEEP GRAND CHEROKEE (WJ)				
SERIES	LINE	BODY	ENGINE	TRANSMISSION
H = Laredo	J = 4WD	74 = 4 Door	ERH = 4.0L, Power Tech I-6	DGK = 4 Speed Auto, 42RE
M = Sport	T = 2WD		EVA = 4.7L Power Tech V8	DGQ = 5 Speed Auto, 45RFE
P = Limited			EVC = 4.7L HO V8 MPI	DG0 = All Automatic Trans
S = Overland			ER0 = All 4.0L 6 Cyl Gas	
			EVO = All 4.7L Gas	

**Fuel Tank Filler Tube, 4.0 [ERH], 4.7 [EVA, EVC]
Figure 014-210**

ITEM	PART NUMBER	QTY	LINE	SERIES	BODY	ENGINE	TRANS	TRIM	DESCRIPTION
Note; Sales Codes									
[ER0]= All 4.0L, 6 Cylinder Gas Engines									
[EV0]= All 4.7L V-8 Gas Engines									
1	52102 464AB	1							CAP, Fuel Filler
2	52100 830AC	1				ER0, EVO			TUBE, Fuel Filler
3	0154 236	3							SCREW, Stake, .19-24
4									CLAMP, Hose, (NOT SERVICED) (Not Serviced)
5	6505 322AA	1							CLAMP, Hose
6	52100 506AC	1							HOSE, Fuel Filler
7									HOSE, Fuel Tank Vent, (NOT SERVICED) (Not Serviced)
8	4682 676	1							TETHER, Fuel Filler Cap



JEEP GRAND CHEROKEE (WJ)				
SERIES	LINE	BODY	ENGINE	TRANSMISSION
H = Laredo	J = 4WD	74 = 4 Door	ERH = 4.0L, Power Tech I-6	DGK = 4 Speed Auto, 42RE
M = Sport	T = 2WD		EVA = 4.7L Power Tech V8	DGQ = 5 Speed Auto, 45RFE
P = Limited			EVC = 4.7L HO V8 MPI	DG0 = All Automatic Trans
S = Overland			ER0 = All 4.0L 6 Cyl Gas	
			EV0 = All 4.7L Gas	

AR = Use as required - = Non illustrated part # = New this model year December 1, 2003

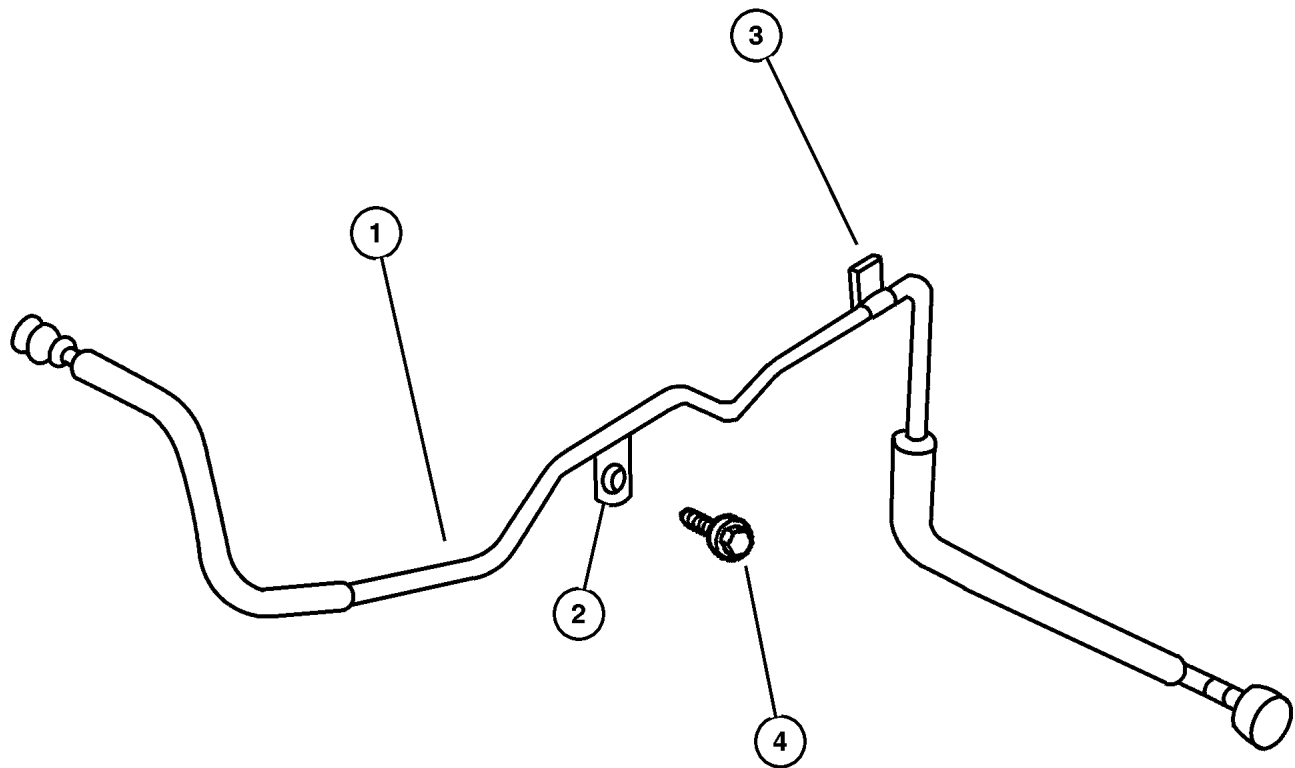
Fuel Lines, Front, 4.0 [ERH]
Figure 014-310

ITEM	PART NUMBER	QTY	LINE	SERIES	BODY	ENGINE	TRANS	TRIM	DESCRIPTION
------	-------------	-----	------	--------	------	--------	-------	------	-------------

Note; Sales Codes

[ER0]= All 4.0L Gas Engines

1	52100 041AI	1				ER0			BUNDLE, Fuel Line
2	52100 415AB	1				ER0			BRACKET, Fuel Line
3	52100 482AA	1				ER0			BRACKET, Fuel Line
4	6501 979	1				ER0			SCREW AND WASHER, Hex Head, M6x1x17



JEEP GRAND CHEROKEE (WJ)

SERIES	LINE	BODY	ENGINE	TRANSMISSION
H = Laredo	J = 4WD	74 = 4 Door	ERH = 4.0L, Power Tech I-6	DGK = 4 Speed Auto, 42RE
M = Sport	T = 2WD		EVA = 4.7L Power Tech V8	DGQ = 5 Speed Auto, 45RFE
P = Limited			EVC = 4.7L HO V8 MPI	DG0 = All Automatic Trans
S = Overland			ER0 = All 4.0L 6 Cyl Gas	
			EVO = All 4.7L Gas	

AR = Use as required - = Non illustrated part # = New this model year

December 1, 2003

Fuel Lines, Rear, 4.0 [ERH]
Figure 014-320

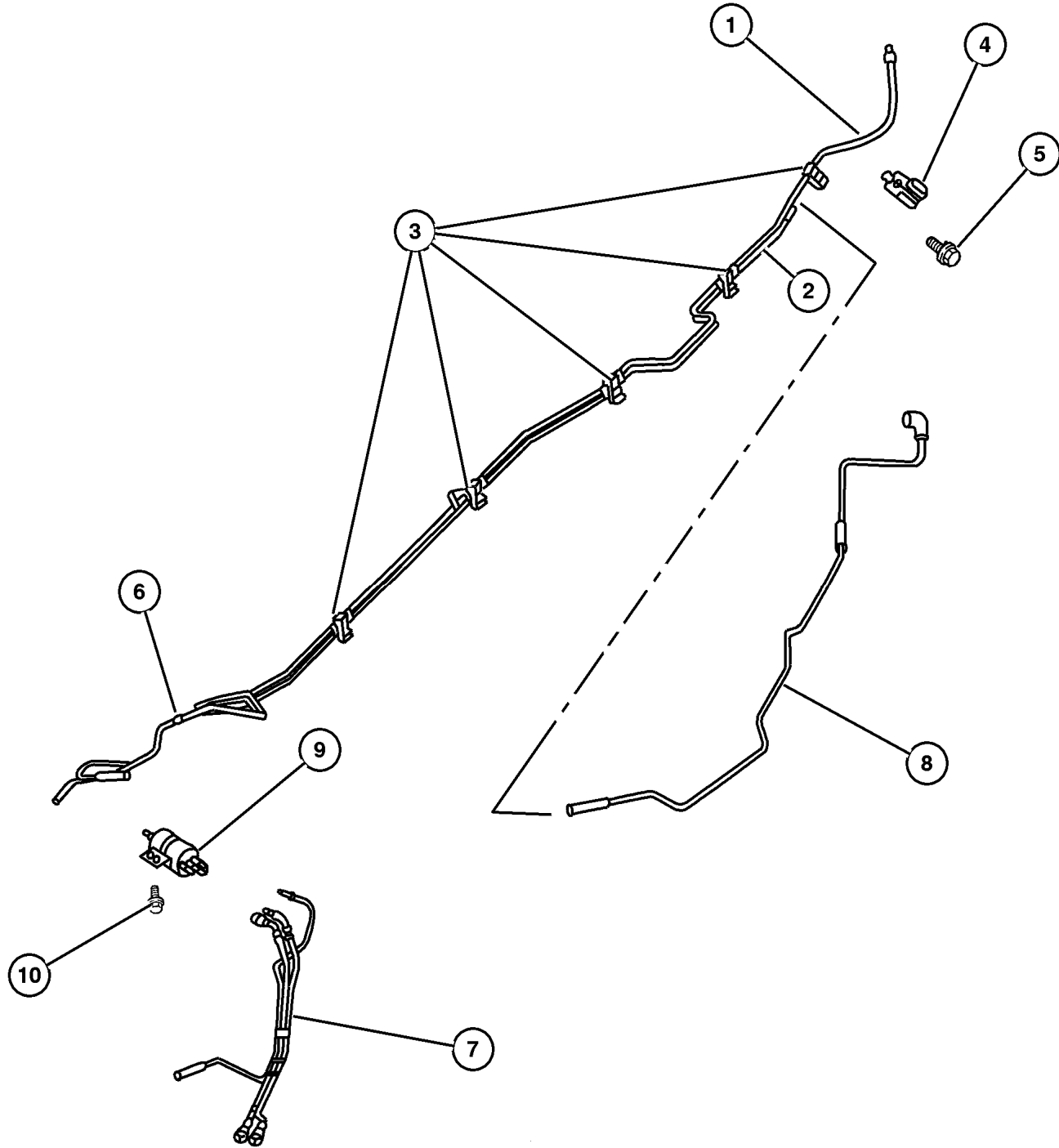
ITEM	PART NUMBER	QTY	LINE	SERIES	BODY	ENGINE	TRANS	TRIM	DESCRIPTION
------	-------------	-----	------	--------	------	--------	-------	------	-------------

Note; Sales Codes

[ER0]= All 4.0L, 6 Cylinder Gas Engines

[EV0]= All 4.7L V-8 Gas Engines

1	5073 516AA	1				ER0, EV0			TUBE, Fuel Supply
2	5073 517AA	1				ER0, EV0			TUBE, Vacuum
3	5073 519AA	6				ER0, EV0			CLIP, Fuel Bundle
4	5073 520AA	1				ER0, EV0			CLIP, Fuel Bundle
5	6102 132AA	1				ER0, EV0			SCREW, Hex Head, M6x1x20
6	5073 521AA	1				ER0, EV0			CLIP, Fuel Bundle
7	52100 429AB	1							TUBE, Fuel
8	5073 518AA	1				ER0, EV0			TUBE, Fuel Vapor
9	52100 283AF	1				ER0, EV0			FILTER AND REGULATOR, Fuel
10	6102 132AA	1				ER0, EV0			SCREW, Hex Head, M6x1x20



JEEP GRAND CHEROKEE (WJ)

SERIES	LINE	BODY	ENGINE	TRANSMISSION
H = Laredo	J = 4WD	74 = 4 Door	ERH = 4.0L, Power Tech I-6	DGK = 4 Speed Auto, 42RE
M = Sport	T = 2WD		EVA = 4.7L Power Tech V8	DGQ = 5 Speed Auto, 45RFE
P = Limited			EVC = 4.7L HO V8 MPI	DG0 = All Automatic Trans
S = Overland			ER0 = All 4.0L 6 Cyl Gas	
			EV0 = All 4.7L Gas	

AR = Use as required - = Non illustrated part # = New this model year

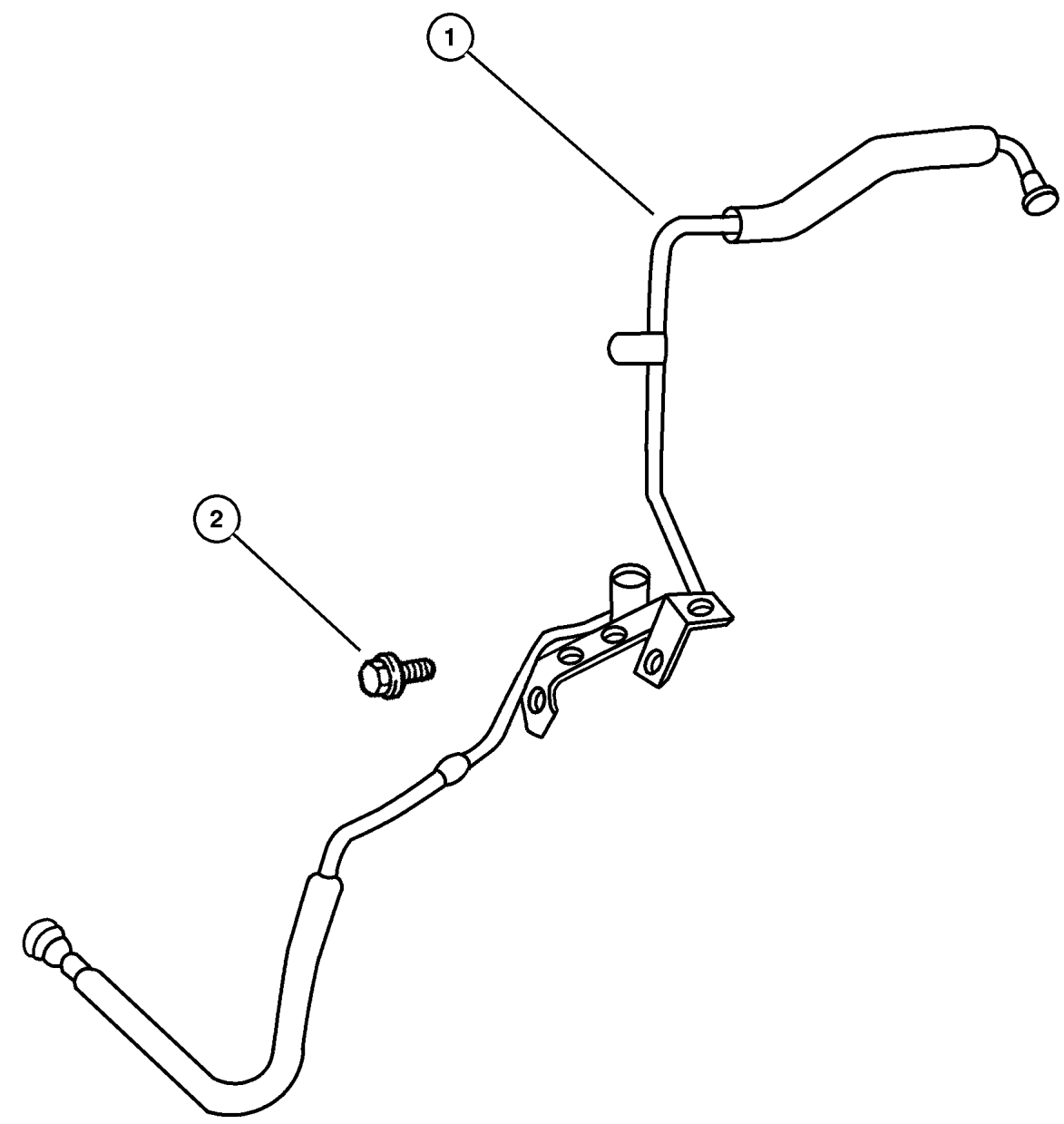
December 1, 2003

Fuel Lines, Front, 4.7 [EVA, EVC]
Figure 014-330

ITEM	PART NUMBER	QTY	LINE	SERIES	BODY	ENGINE	TRANS	TRIM	DESCRIPTION
------	-------------	-----	------	--------	------	--------	-------	------	-------------

Note; Sales Codes
[EV0]= All 4.7L V-8 Gas Engines

1	52100 043AG	1				EVO			BUNDLE, Fuel Line
2									SCREW, (NOT SERVICED) (Not Serviced)



JEEP GRAND CHEROKEE (WJ)

SERIES	LINE	BODY	ENGINE	TRANSMISSION
H = Laredo	J = 4WD	74 = 4 Door	ERH = 4.0L, Power Tech I-6	DGK = 4 Speed Auto, 42RE
M = Sport	T = 2WD		EVA = 4.7L Power Tech V8	DGQ = 5 Speed Auto, 45RFE
P = Limited			EVC = 4.7L HO V8 MPI	DG0 = All Automatic Trans
S = Overland			ER0 = All 4.0L 6 Cyl Gas	
			EV0 = All 4.7l Gas	

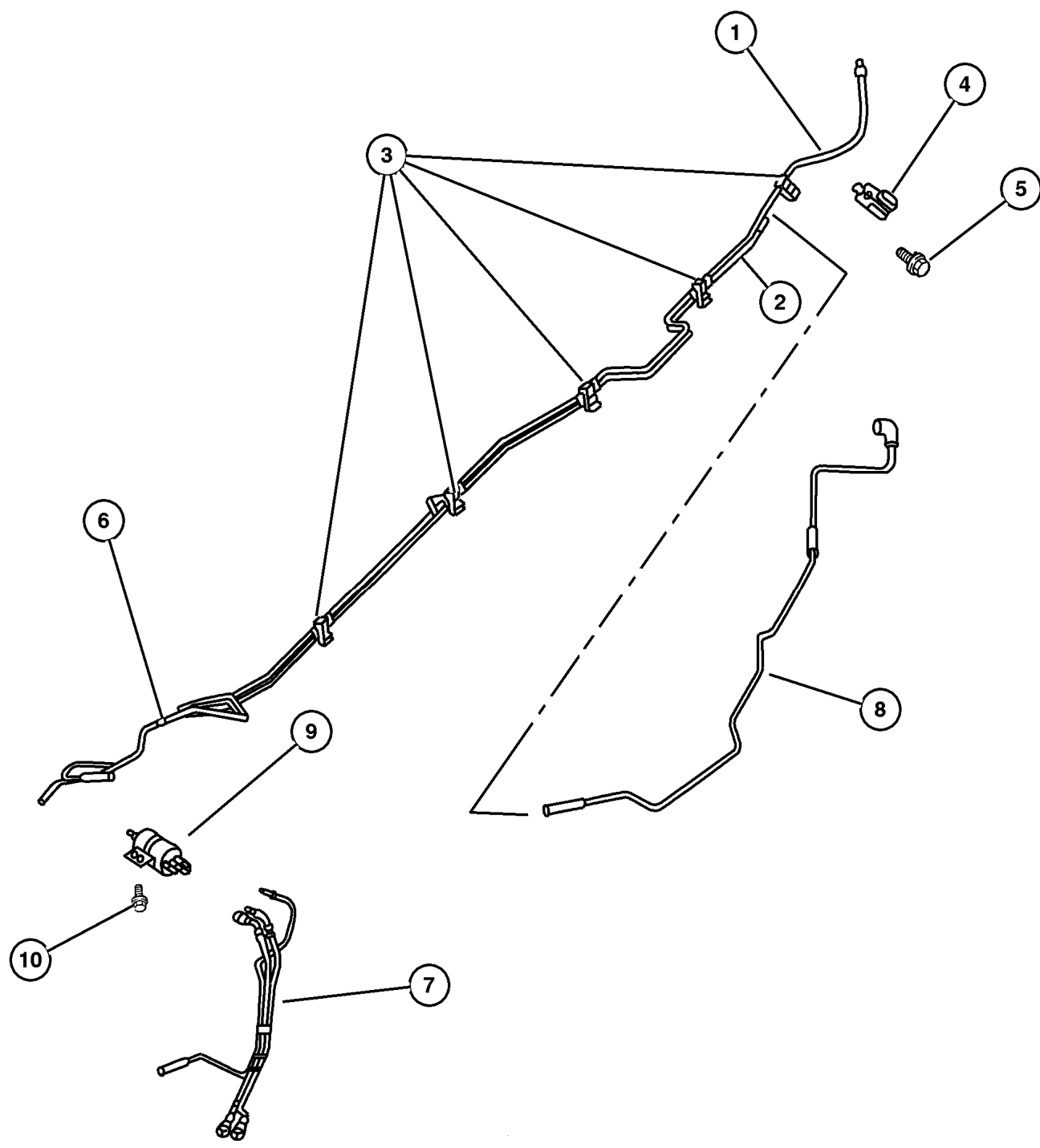
AR = Use as required - = Non illustrated part # = New this model year December 1, 2003

**Fuel Lines, Rear, 4.7 [EVA, EVC]
Figure 014-340**

ITEM	PART NUMBER	QTY	LINE	SERIES	BODY	ENGINE	TRANS	TRIM	DESCRIPTION
------	-------------	-----	------	--------	------	--------	-------	------	-------------

Note; Sales Codes
 [ER0]= All 4.0L, 6 Cylinder Gas Engines
 [EV0]= All 4.7L V-8 Gas Engines

1	5073 516AA	1				ER0, EV0			TUBE, Fuel Supply
2	5073 517AA	1				ER0, EV0			TUBE, Vacuum
3	5073 519AA	6				ER0, EV0			CLIP, Fuel Bundle
4	5073 520AA	1				ER0, EV0			CLIP, Fuel Bundle
5	6102 132AA	6							SCREW, Hex Head, M6x1x20
6	5073 521AA	1				ER0, EV0			CLIP, Fuel Bundle
7	52100 429AB	1							TUBE, Fuel
8	5073 518AA	1				ER0, EV0			TUBE, Fuel Vapor
9	52100 283AF	1				ER0, EV0			FILTER AND REGULATOR, Fuel
10	6102 132AA	2							SCREW, Hex Head, M6x1x20

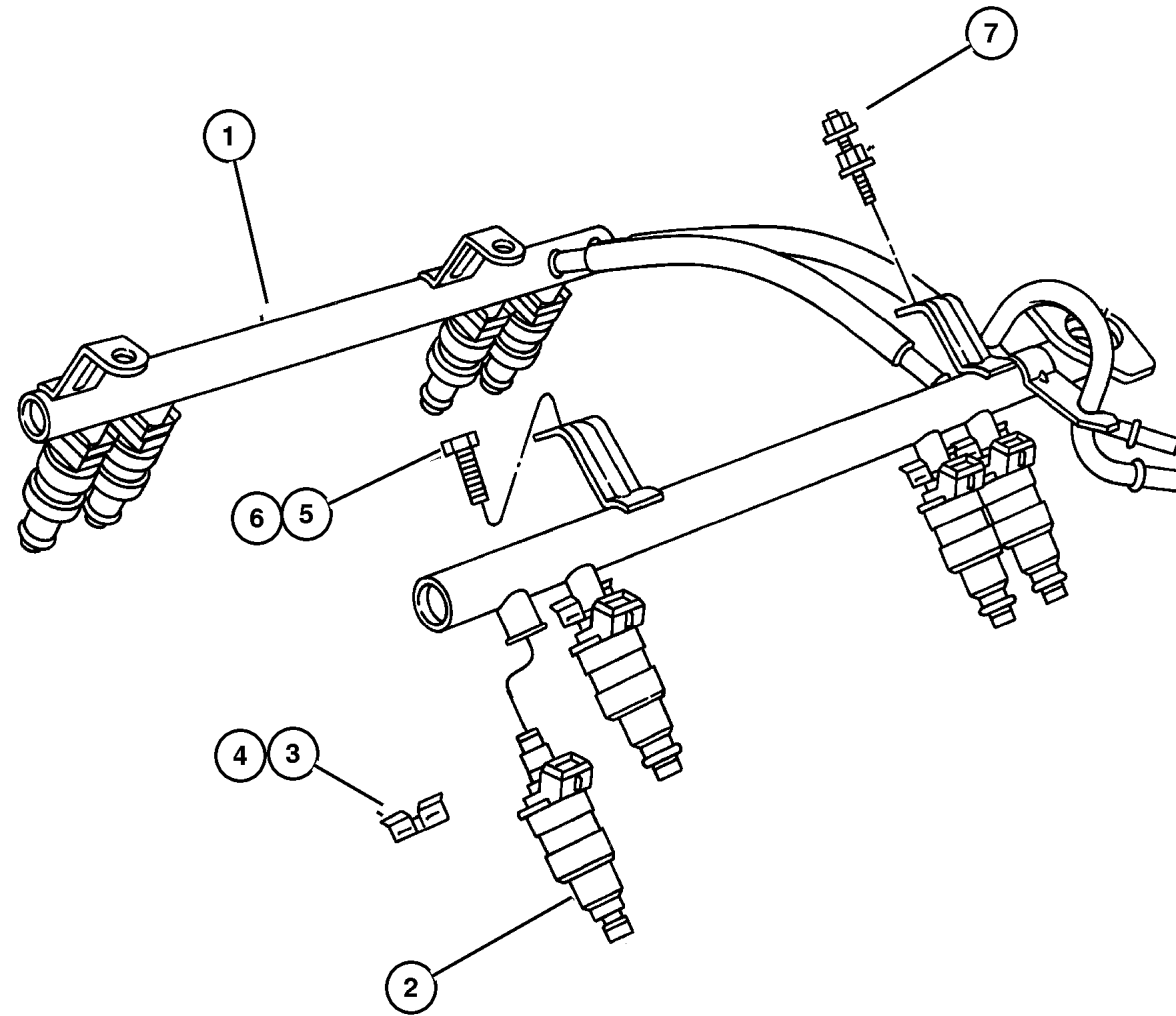


JEEP GRAND CHEROKEE (WJ)				
SERIES	LINE	BODY	ENGINE	TRANSMISSION
H = Laredo	J = 4WD	74 = 4 Door	ERH = 4.0L, Power Tech I-6	DGK = 4 Speed Auto, 42RE
M = Sport	T = 2WD		EVA = 4.7L Power Tech V8	DGQ = 5 Speed Auto, 45RFE
P = Limited			EVC = 4.7L HO V8 MPI	DG0 = All Automatic Trans
S = Overland			ER0 = All 4.0L 6 Cyl Gas	
			EV0 = All 4.7L Gas	

AR = Use as required - = Non illustrated part # = New this model year

December 1, 2003

Fuel Rail, 4.0 [ERH], 4.7 [EVA, EVC]
Figure 014-410



ITEM	PART NUMBER	QTY	LINE	SERIES	BODY	ENGINE	TRANS	TRIM	DESCRIPTION
------	-------------	-----	------	--------	------	--------	-------	------	-------------

Note; Sales Codes

[ER0]= All 4.0L, 6 Cylinder Gas Engines

[EV0]= All 4.7L V-8 Gas Engines

1	5014 496AB	1				ER0			RAIL, Fuel
	53030 848AC	1				EV0			
2	4854 181	6				ER0			INJECTOR, Fuel
	53032 145AA	8				EV0			
3	4418 257AB	6				ER0			CLIP, Fuel Injector
4	4418 257AB	8				EV0			CLIP, Fuel Injector
5	6501 979	2				ER0			SCREW AND WASHER, Hex Head, M6x1x17
6	6505 504AA	4				EV0			SCREW
7	6502 647	2				ER0			STUD, M6x1.00x44

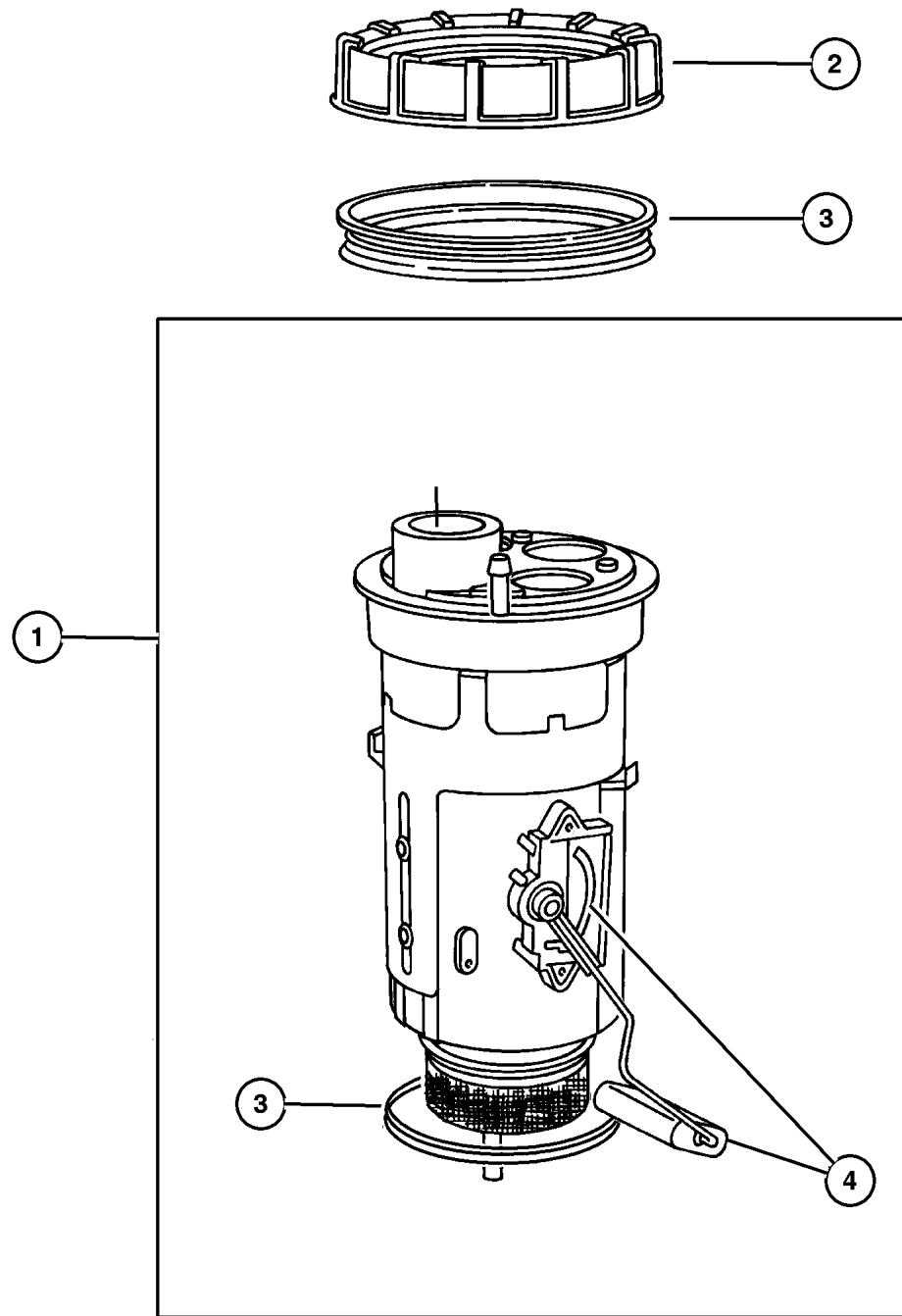
JEEP GRAND CHEROKEE (WJ)

SERIES	LINE	BODY	ENGINE	TRANSMISSION
H = Laredo	J = 4WD	74 = 4 Door	ERH = 4.0L, Power Tech I-6	DGK = 4 Speed Auto, 42RE
M = Sport	T = 2WD		EVA = 4.7L Power Tech V8	DGQ = 5 Speed Auto, 45RFE
P = Limited			EVC = 4.7L HO V8 MPI	DG0 = All Automatic Trans
S = Overland			ER0 = All 4.0L 6 Cyl Gas	
			EV0 = All 4.7L Gas	

AR = Use as required - = Non illustrated part # = New this model year

December 1, 2003

Fuel Pump and Sending Unit, 4.0 [ERH], 4.7 [EVA, EVC]
Figure 014-510



ITEM	PART NUMBER	QTY	LINE	SERIES	BODY	ENGINE	TRANS	TRIM	DESCRIPTION
1	5093 804AA	1							MODULE PACKAGE, Fuel Pump/ Level Unit
2	5200 5389	1							NUT, Fuel Pump Module
3	5201 8808	1							SEAL, Fuel Pump and Level Unit
4	5018 057AA	1							LEVEL UNIT PACKAGE, Fuel

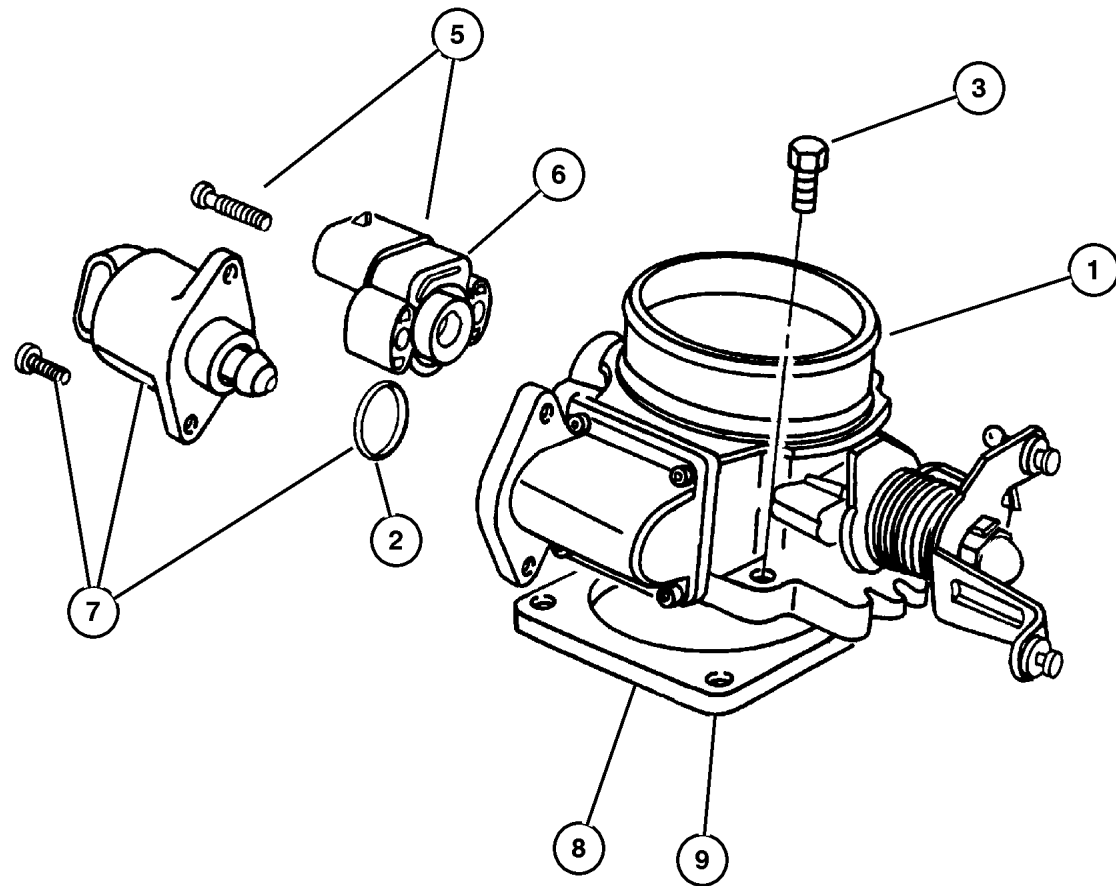
JEEP GRAND CHEROKEE (WJ)

SERIES	LINE	BODY	ENGINE	TRANSMISSION
H = Laredo	J = 4WD	74 = 4 Door	ERH = 4.0L, Power Tech I-6	DGK = 4 Speed Auto, 42RE
M = Sport	T = 2WD		EVA = 4.7L Power Tech V8	DGQ = 5 Speed Auto, 45RFE
P = Limited			EVC = 4.7L HO V8 MPI	DG0 = All Automatic Trans
S = Overland			ER0 = All 4.0L 6 Cyl Gas	
			EVO = All 4.7l Gas	

AR = Use as required - = Non illustrated part # = New this model year

December 1, 2003

**Throttle Body, 4.0 [ERH], 4.7 [EVA, EVC]
Figure 014-610**



ITEM	PART NUMBER	QTY	LINE	SERIES	BODY	ENGINE	TRANS	TRIM	DESCRIPTION
Note; Sales Codes									
[ER0]= All 4.0L, 6 Cylinder Gas Engines									
[EVA]= Next Generation 4.7L Magnum Engines									
[EVC]= 4.7L Power Tech High Output V-8									
[EV0]= All 4.7L Gas Engines									
1									THROTTLE BODY
	53013 290AA	1				ER0			
	53013 163AD	1				EV0			
2	8350 3642	2				EV0			O RING, Throttle Body
3	6503 929	4				ER0			SCREW AND WASHER, Coned Pilot, M6x1x30
-4									SCREW, M6x1x40, (NOT SERVICED) (Not Serviced)
5	5019 411AB	1				ER0			SENSOR, Throttle Position
6	5017 479AA	1				EV0			SENSOR KIT, Throttle Position
7									MOTOR, Air Idle Speed
	4874 373AB	1				ER0			
	5303 0840	1				EV0			
8	5300 7543	1				ER0			GASKET, Throttle Body
9	53030 952AB	1				EV0			GASKET, Throttle Body To Intake

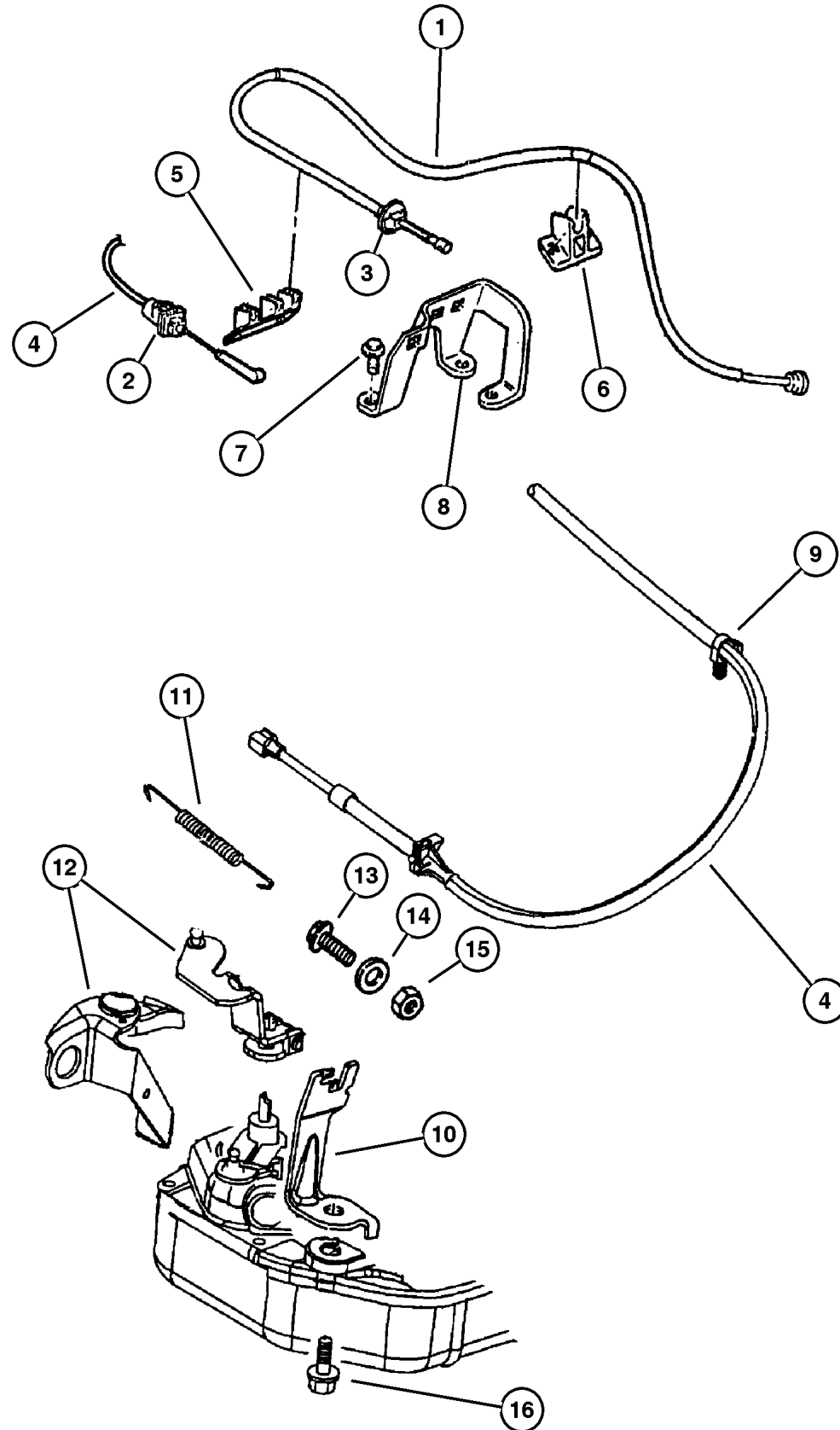
JEEP GRAND CHEROKEE (WJ)

SERIES	LINE	BODY	ENGINE	TRANSMISSION
H = Laredo	J = 4WD	74 = 4 Door	ERH = 4.0L, Power Tech I-6	DGK = 4 Speed Auto, 42RE
M = Sport	T = 2WD		EVA = 4.7L Power Tech V8	DGQ = 5 Speed Auto, 45RFE
P = Limited			EVC = 4.7L HO V8 MPI	DG0 = All Automatic Trans
S = Overland			ER0 = All 4.0L 6 Cyl Gas	
			EV0 = All 4.7L Gas	

AR = Use as required - = Non illustrated part # = New this model year

December 1, 2003

Throttle Controls, 4.0 [ERH] Figure 014-710



ITEM	PART NUMBER	QTY	LINE	SERIES	BODY	ENGINE	TRANS	TRIM	DESCRIPTION
Note; Sales Codes									
[DGK]= 4 Speed Automatic Transmission 42RE									
[ER0]= All 4.0L, 6 Cylinder Gas Engines									
1	4854 150AB	1				ER0			CABLE, Accelerator
2	53013 682AA	AR	J						CLIP
3	53013 681AA	AR	J						CLIP, Locking
4	52104 284AB	1					DGK		CABLE, Throttle Valve
5	5207 9029	1				ER0			GUIDE, Accelerator Cable
6	5207 8987	1				ER0			GUIDE, Accelerator Cable
7	6501 979	2				ER0			SCREW AND WASHER, Hex Head, M6x1x17
8	53013 160AA	1				ER0			BRACKET, Accelerator Cable
9									CLIP, (NOT SERVICED) (Not Serviced)
10	5207 8867	1				ER0			BRACKET, Cable
11	5300 9055	1					DGK		SPRING, Throttle Valve Return
12	3681 227	1	J				DGK		LEVER, Throttle Valve
13	6100 267	1				ER0			BOLT AND CONED WASHER, Hex Head, M6x25x12.5
14									WASHER, Lock, (NOT REQUIRED)
15									NUT, Hex, .250-20, (NOT SERVICED) (Not Serviced)
16									BOLT, Hex Head, .375-16x1.00, (NOT SERVICED) (Not Serviced)

JEEP GRAND CHEROKEE (WJ)

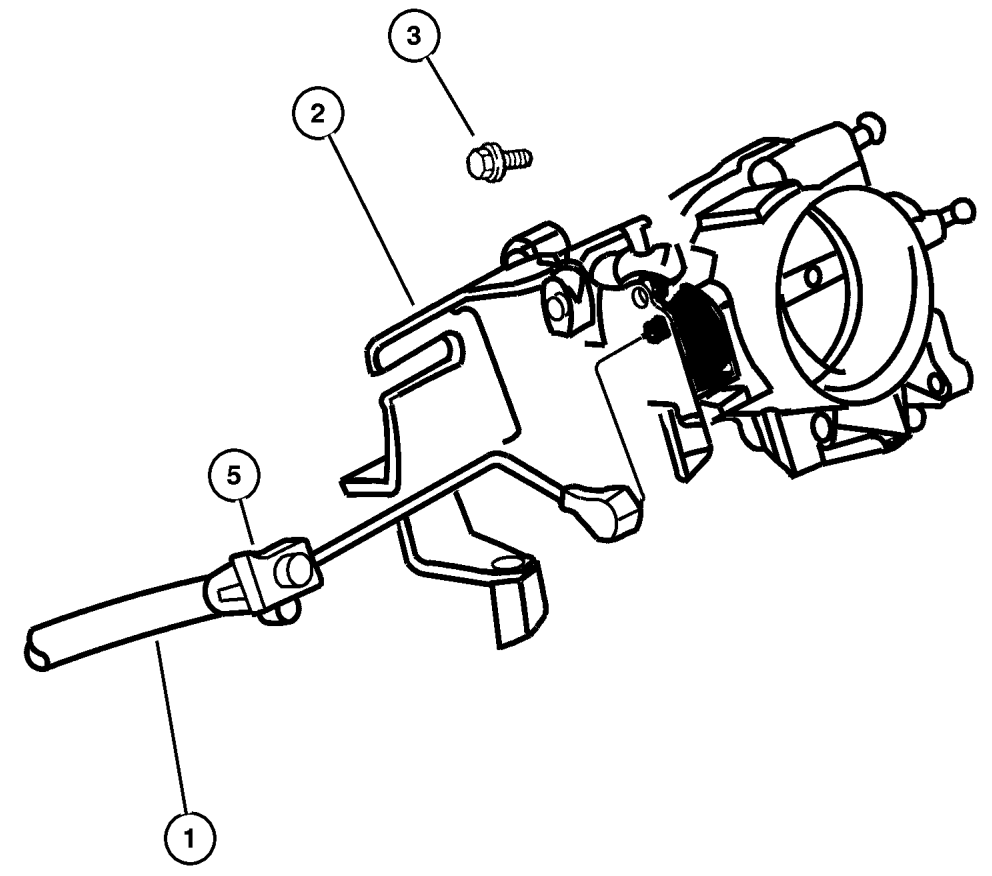
SERIES	LINE	BODY	ENGINE	TRANSMISSION
H = Laredo	J = 4WD	74 = 4 Door	ERH = 4.0L, Power Tech I-6	DGK = 4 Speed Auto, 42RE
M = Sport	T = 2WD		EVA = 4.7L Power Tech V8	DGQ = 5 Speed Auto, 45RFE
P = Limited			EVC = 4.7L HO V8 MPI	DG0 = All Automatic Trans
S = Overland			ER0 = All 4.0L 6 Cyl Gas	
			EVO = All 4.7L Gas	

AR = Use as required - = Non illustrated part # = New this model year

December 1, 2003

**Throttle Controls, 4.7 [EVA, EVC]
Figure 014-720**

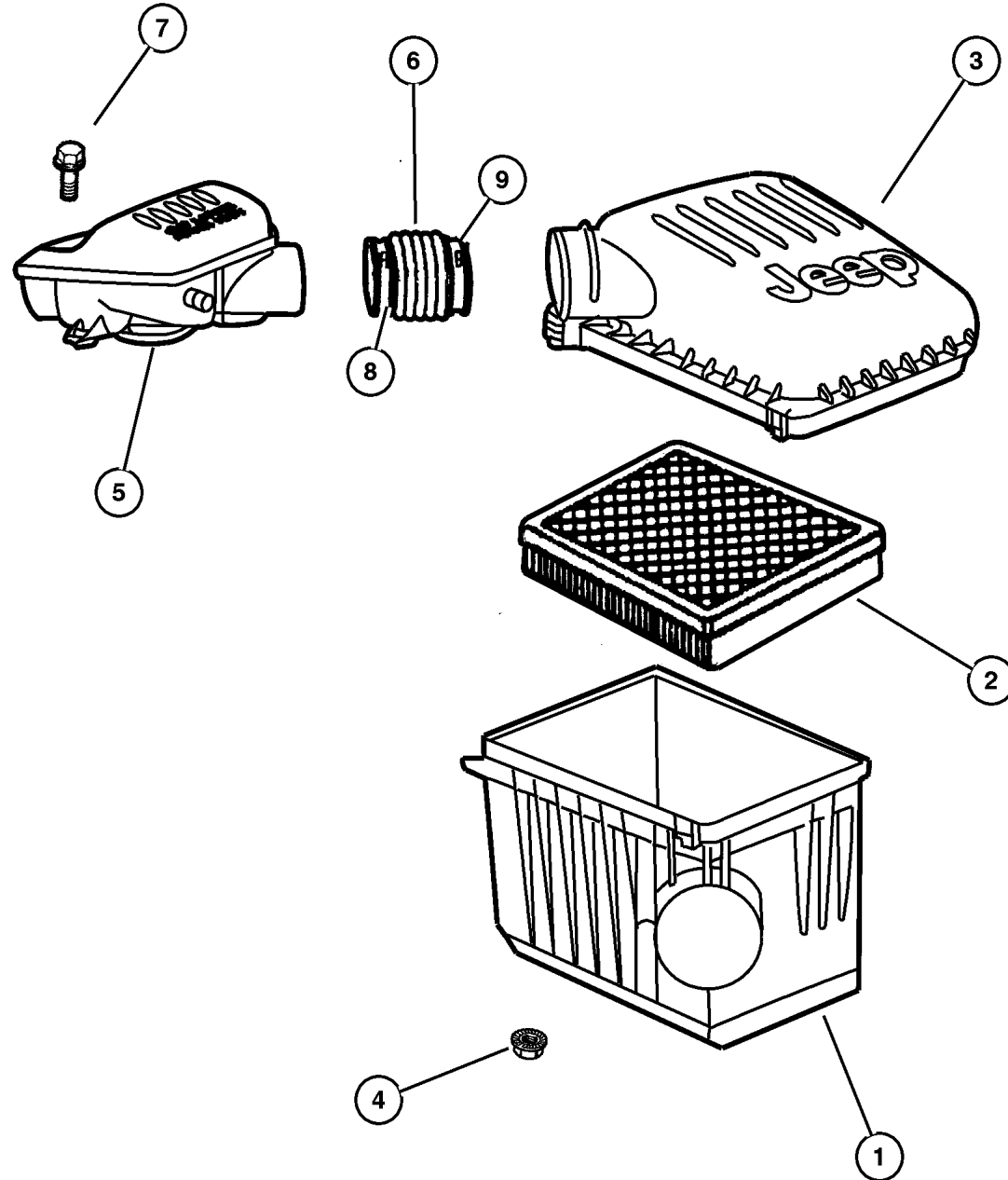
ITEM	PART NUMBER	QTY	LINE	SERIES	BODY	ENGINE	TRANS	TRIM	DESCRIPTION
Note; Sales Codes									
[EVA]= Next Generation 4.7L Magnum Engines									
[EVC]= 4.7L Power Tech High Output V-8									
[EV0]= All 4.7L Gas Engines									
1	4854 061AD	1				EVO			CABLE, Accelerator
2									BRACKET, Accelerator Cable, Serviced With Intake Manifold , (NOT SERVICED) (Not Serviced)
3									SCREW, M6X1.00X16.00, (NOT SERVICED) (Not Serviced)
-4	53013 682AA	AR	J						CLIP
5	53013 681AA	AR	J						CLIP, Locking



JEEP GRAND CHEROKEE (WJ)				
SERIES	LINE	BODY	ENGINE	TRANSMISSION
H = Laredo	J = 4WD	74 = 4 Door	ERH = 4.0L, Power Tech I-6	DGK = 4 Speed Auto, 42RE
M = Sport	T = 2WD		EVA = 4.7L Power Tech V8	DGQ = 5 Speed Auto, 45RFE
P = Limited			EVC = 4.7L HO V8 MPI	DG0 = All Automatic Trans
S = Overland			ER0 = All 4.0L 6 Cyl Gas	
			EVO = All 4.7L Gas	

AR = Use as required - = Non illustrated part # = New this model year December 1, 2003

**Air Cleaner, 4.0 [ERH]
Figure 014-810**



ITEM	PART NUMBER	QTY	LINE	SERIES	BODY	ENGINE	TRANS	TRIM	DESCRIPTION
Note; Sales Codes									
[ER0]= All 4.0L Gas Engines									
1	5013 462AA	1				ER0			BODY, Air Cleaner
2	5300 7386	1				ER0			FILTER, Air
3	5013 461AA	1				ER0			COVER, Air Cleaner
4									NUT, M8x1.25, (NOT SERVICED) (Not Serviced)
5	4854 013	1				ER0			RESONATOR, Air Cleaner
6	4854 014	1				ER0			HOSE, Air Cleaner
7	6504 041	1				ER0			SCREW AND WASHER, Hex Head, M6x1x30
8	5013 834AA	1				ER0			CLAMP, Air Cleaner Duct
9	5013 836AA	1				ER0			CLAMP, Air Cleaner Duct

JEEP GRAND CHEROKEE (WJ)

SERIES	LINE	BODY	ENGINE	TRANSMISSION
H = Laredo	J = 4WD	74 = 4 Door	ERH = 4.0L, Power Tech I-6	DGK = 4 Speed Auto, 42RE
M = Sport	T = 2WD		EVA = 4.7L Power Tech V8	DGQ = 5 Speed Auto, 45RFE
P = Limited			EVC = 4.7L HO V8 MPI	DG0 = All Automatic Trans
S = Overland			ER0 = All 4.0L 6 Cyl Gas	
			EVO = All 4.7l Gas	

AR = Use as required - = Non illustrated part # = New this model year

December 1, 2003

**Air Cleaner, 4.7 [EVA, EVC]
Figure 014-820**

ITEM	PART NUMBER	QTY	LINE	SERIES	BODY	ENGINE	TRANS	TRIM	DESCRIPTION
------	-------------	-----	------	--------	------	--------	-------	------	-------------

Note; Sales Codes

[EVA]= Next Generation 4.7L Magnum Engines

[EVC]= 4.7L High Output Power Tech V-8

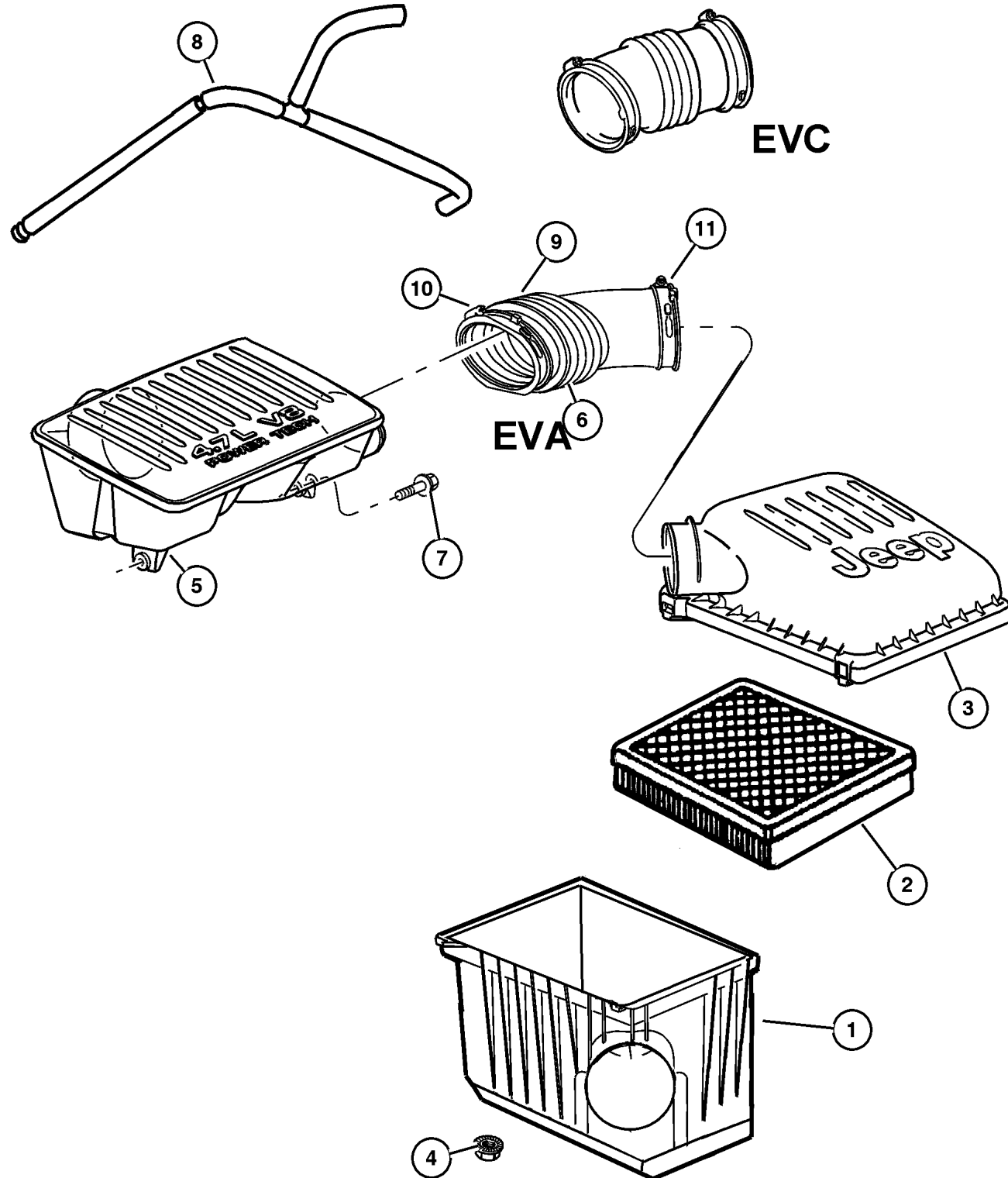
1	5013 462AA	1				EVA			BODY, Air Cleaner
	5018 322AA	1				EVC			
2	5300 7386	1				EVA			FILTER, Air
	5015 610AA	1				EVC			
3	5013 461AA	1				EVA			COVER, Air Cleaner
	5018 321AA	1				EVC			
4	6505 245AA	4							NUT, M8x1.25
5	4854 011	1				EVA			RESONATOR, Air Cleaner
	53013 417AB	1				EVC			
6	4854 012	1				EVA			DUCT, Air Cleaner
7	6101 769	2				EVO			SCREW, Hex Head, M6x1x35
8	53031 667AC	1				EVO			TUBE, Breather
9	53013 418AA	1				EVC			HOSE, Air Cleaner
10	5013 835AA	1				EVA			CLAMP, Air Cleaner Duct
11	5013 836AA	1				EVA			CLAMP, Air Cleaner Duct

JEEP GRAND CHEROKEE (WJ)

SERIES	LINE	BODY	ENGINE	TRANSMISSION
H = Laredo	J = 4WD	74 = 4 Door	ERH = 4.0L, Power Tech I-6	DGK = 4 Speed Auto, 42RE
M = Sport	T = 2WD		EVA = 4.7L Power Tech V8	DGQ = 5 Speed Auto, 45RFE
P = Limited			EVC = 4.7L HO V8 MPI	DG0 = All Automatic Trans
S = Overland			ER0 = All 4.0L 6 Cyl Gas	
			EVO = All 4.7l Gas	

AR = Use as required - = Non illustrated part # = New this model year

December 1, 2003



**Air Intake System, 4.0L [ERH], 4.7L [EVA]
Figure 014-910**

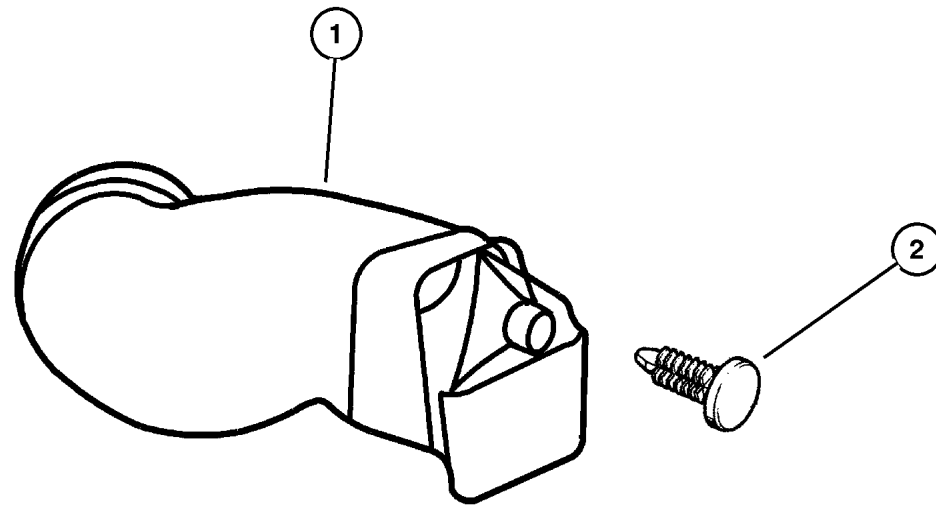
ITEM	PART NUMBER	QTY	LINE	SERIES	BODY	ENGINE	TRANS	TRIM	DESCRIPTION
------	-------------	-----	------	--------	------	--------	-------	------	-------------

Note; Sales Codes

[ER0]=All 4.0L Engines

[EVA]= Next Generation 4.7L Magnum Engines

1	53013 345AA	1				ER0, EVA			DUCT, Ambient Air
2									PIN, Retainer, (NOT SERVICED) (Not Serviced)



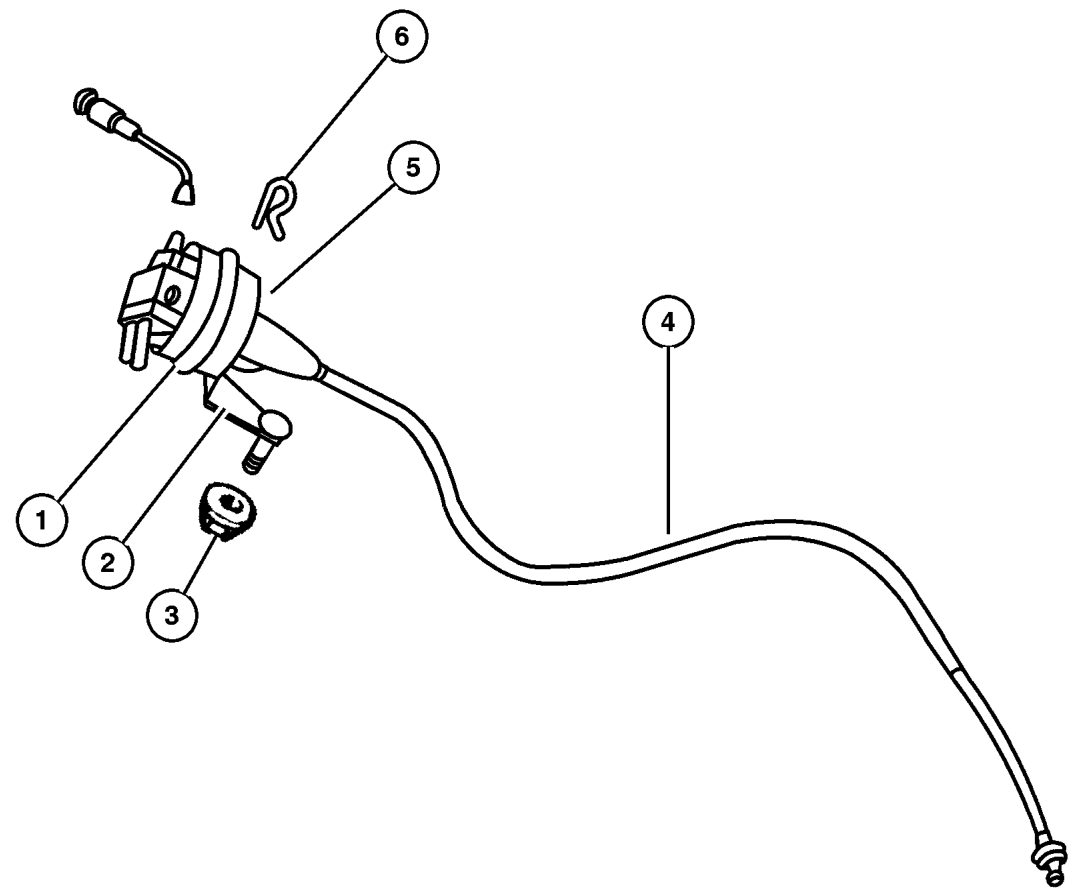
JEEP GRAND CHEROKEE (WJ)

SERIES	LINE	BODY	ENGINE	TRANSMISSION
H = Laredo	J = 4WD	74 = 4 Door	ERH = 4.0L, Power Tech I-6	DGK = 4 Speed Auto, 42RE
M = Sport	T = 2WD		EVA = 4.7L Power Tech V8	DGQ = 5 Speed Auto, 45RFE
P = Limited			EVC = 4.7L HO V8 MPI	DG0 = All Automatic Trans
S = Overland			ER0 = All 4.0L 6 Cyl Gas	
			EVO = All 4.7l Gas	

AR = Use as required - = Non illustrated part # = New this model year

December 1, 2003

**Speed Control, 4.0 [ERH], 4.7 [EVA, EVC]
Figure 014-1010**



ITEM	PART NUMBER	QTY	LINE	SERIES	BODY	ENGINE	TRANS	TRIM	DESCRIPTION
------	-------------	-----	------	--------	------	--------	-------	------	-------------

Note; Sales Codes

[ER0]= All 4.0L Gas Engines

[EV0]= All 4.7L Gas Engines

1	4669 979	1				ER0			SERVO, Speed Control
		1				EV0			
2	4854 057AH	1				ER0			BRACKET, Cruise Control Servo
		1				EV0			
3	6102 167AA	2				ER0,			NUT AND WASHER
						EV0			
4	4854 058	1				ER0			CABLE, Speed Control
	4854 055AC	1				EV0			
5	6502 493	2				ER0			NUT, Hex Flange Serration, M6x1
		2				EV0			
6	6025 867	1				ER0			CLIP, Cable to Servo Attach
		1				EV0			

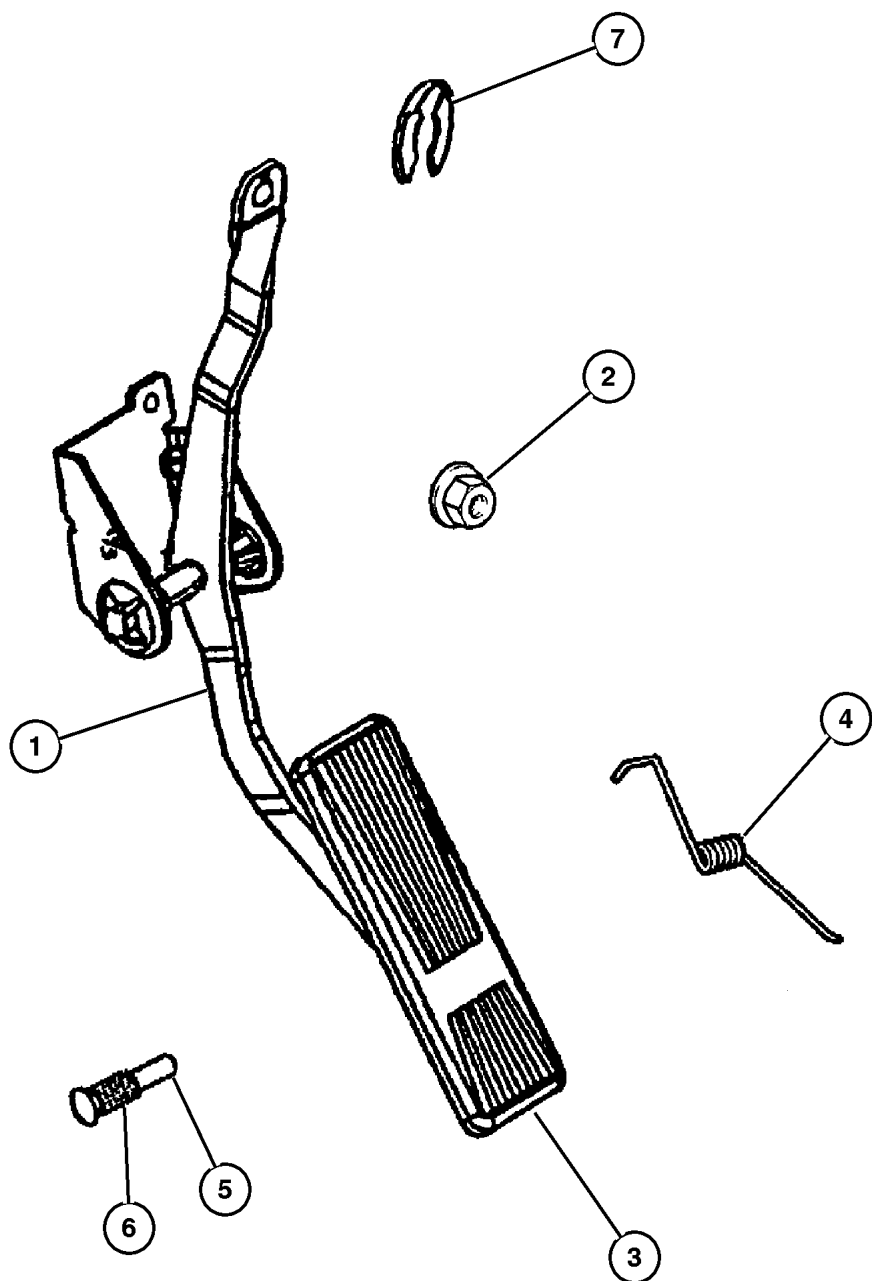
JEEP GRAND CHEROKEE (WJ)

SERIES	LINE	BODY	ENGINE	TRANSMISSION
H = Laredo	J = 4WD	74 = 4 Door	ERH = 4.0L, Power Tech I-6	DGK = 4 Speed Auto, 42RE
M = Sport	T = 2WD		EVA = 4.7L Power Tech V8	DGQ = 5 Speed Auto, 45RFE
P = Limited			EVC = 4.7L HO V8 MPI	DG0 = All Automatic Trans
S = Overland			ER0 = All 4.0L 6 Cyl Gas	
			EV0 = All 4.7L Gas	

AR = Use as required - = Non illustrated part # = New this model year

December 1, 2003

**Accelerator Pedal, 4.0 [ERH], 4.7 [EVA, EVC]
Figure 014-1110**



ITEM	PART NUMBER	QTY	LINE	SERIES	BODY	ENGINE	TRANS	TRIM	DESCRIPTION
------	-------------	-----	------	--------	------	--------	-------	------	-------------

Note; Sales Codes

[ER0]= ALL 4.0L, 6 Cylinder Gas Engines

[EV0]= All 4.7L Gas Engines

1	4854 130AB	1				ER0, EV0			PEDAL, Accelerator
2	3420 1680	2							NUT, Hex Flange, M6x1
3	53003 932AB	1				ER0, EV0			PAD, Accelerator Pedal
4	5207 8168	1				ER0, EV0			SPRING, Accelerator Pedal Return
5	J322 0231	1				ER0, EV0			PIN, Accelerator Pedal Mtg.
6	5207 8653	2				ER0, EV0			BUSHING, Accelerator Pedal
7	5214 613	1							CLIP, Cable

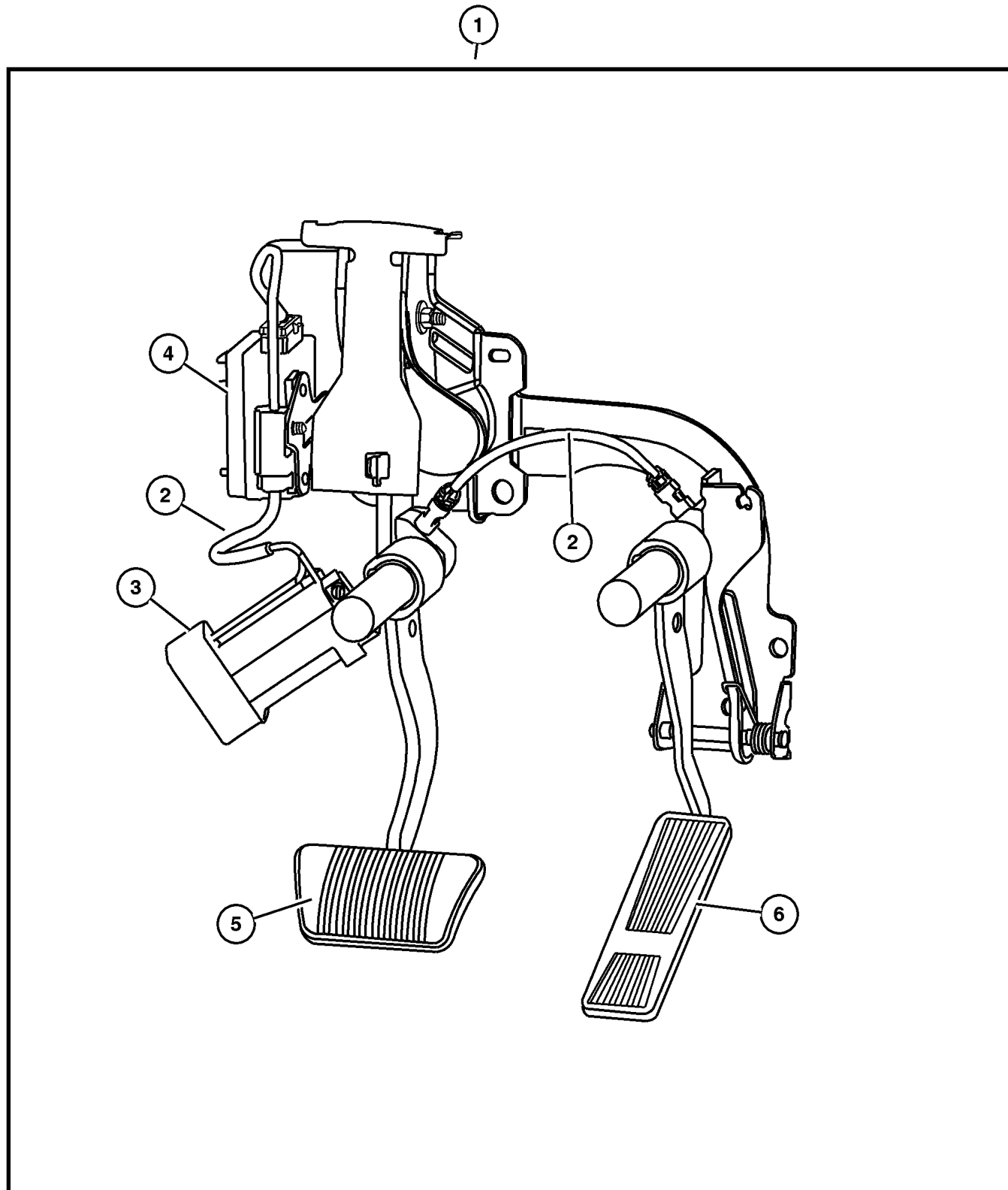
JEEP GRAND CHEROKEE (WJ)

SERIES	LINE	BODY	ENGINE	TRANSMISSION
H = Laredo	J = 4WD	74 = 4 Door	ERH = 4.0L, Power Tech I-6	DGK = 4 Speed Auto, 42RE
M = Sport	T = 2WD		EVA = 4.7L Power Tech V8	DGQ = 5 Speed Auto, 45RFE
P = Limited			EVC = 4.7L HO V8 MPI	DG0 = All Automatic Trans
S = Overland			ER0 = All 4.0L 6 Cyl Gas	
			EV0 = All 4.7L Gas	

AR = Use as required - = Non illustrated part # = New this model year

December 1, 2003

**Pedal Brake, Power Adjustable
Figure 014-1120**



ITEM	PART NUMBER	QTY	LINE	SERIES	BODY	ENGINE	TRANS	TRIM	DESCRIPTION
Sales Codes;									
[ER0]= All 4.0L 6 Cylinder Gas Engines									
[EV0]= All 4.7L Gas Engines									
1	52129 200AF	1							PEDAL, Brake
2	5073 040AA	1							HARNESS
3	5073 041AA	1							MOTOR, Adjustable Brake and Accelerator Pedal
4	5072 251AA	1							MODULE, Brake Pedal
5	4779 027	1							PAD, Pedal
6	53003 932AB	1				ER0, EVO			PAD, Accelerator Pedal
-7									SWITCH, Adjustable Pedals
	5HU33 1DVAB	1							[DB]
									[DV]
	5HU33 1L8AB	1							[L5]
	5HU33 1TMAB	1							[T5]
-8	6100 517	4							NUT, Hex Flange Lock
-9	6035 334	1							CLIP, Brake Push Rod

JEEP GRAND CHEROKEE (WJ)				
SERIES	LINE	BODY	ENGINE	TRANSMISSION
H = Laredo	J = 4WD	74 = 4 Door	ERH = 4.0L, Power Tech I-6	DGK = 4 Speed Auto, 42RE
M = Sport	T = 2WD		EVA = 4.7L Power Tech V8	DGQ = 5 Speed Auto, 45RFE
P = Limited			EVC = 4.7L HO V8 MPI	DG0 = All Automatic Trans
S = Overland			ER0 = All 4.0L 6 Cyl Gas	
			EVO = All 4.7L Gas	

AR = Use as required - = Non illustrated part # = New this model year

Group – 016

Propeller Shafts and U-Joints

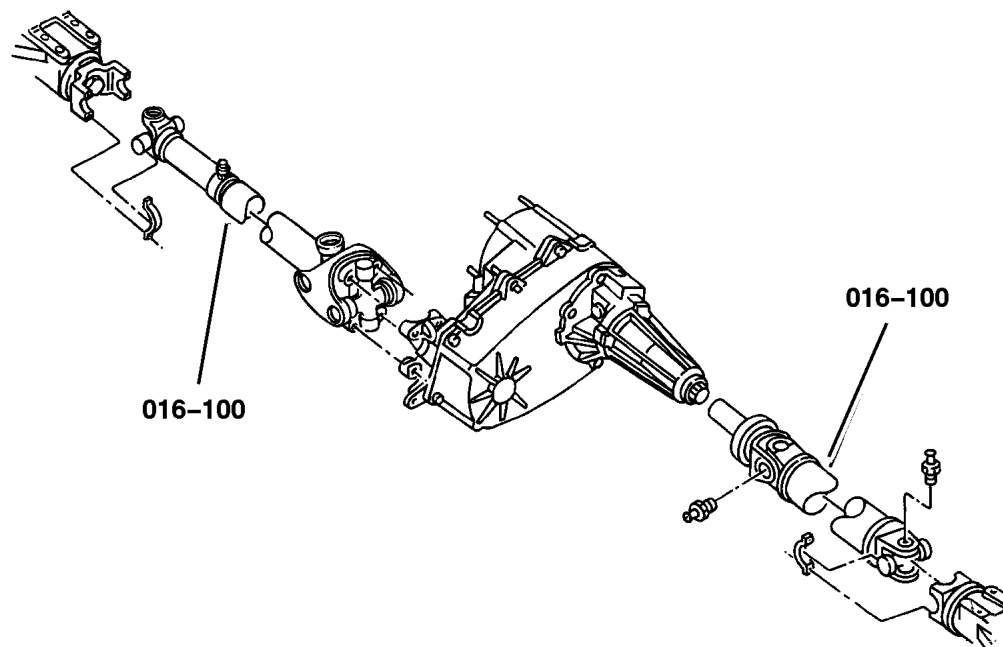
GROUP 16 - Propeller Shafts and U-Joints

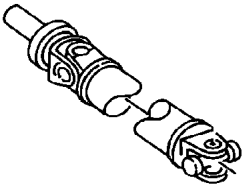
Illustration Title

Group-Fig. No.

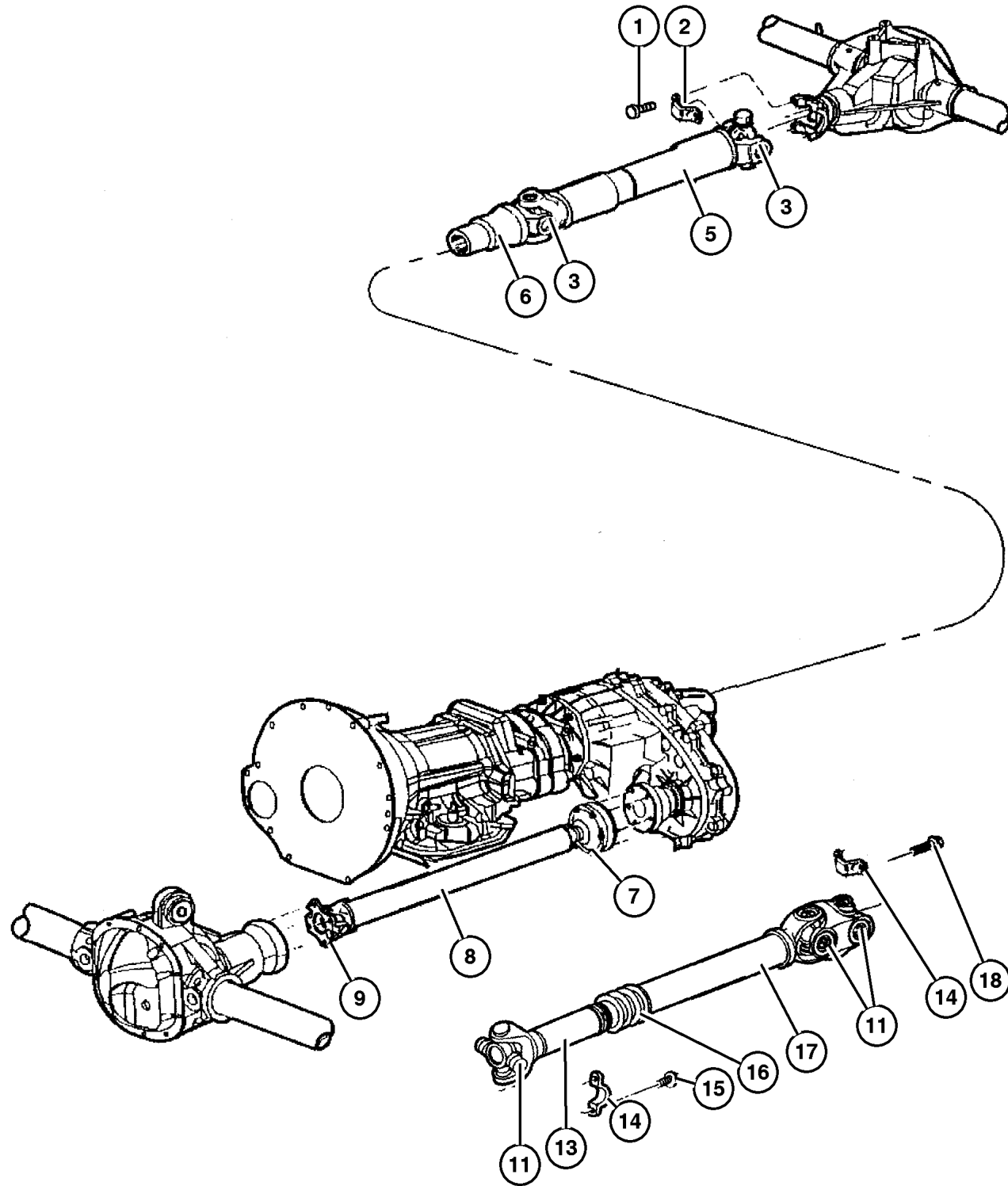
Propeller Shaft

Propeller Shafts, Front and Rear Fig. 016-110



<p>016-100 Propeller Shaft</p> 			
---	--	--	--

Propeller Shafts, Front and Rear Figure 016-110



ITEM	PART NUMBER	QTY	LINE	SERIES	BODY	ENGINE	TRANS	TRIM	DESCRIPTION
Note: Sales Codes;									
[ER0]=Engines - All 4.0L 6 Cylinder Gas									
[EV0]=Engines - All 4.7L Gas									
[DGK]=Transmission - 4-Speed Automatic, 42RE									
[DHF]=Quadra-Trac II On Demand 4 Wheel Drive System									
[DHP]=Selec Trac Full Time 4WD System									
[DRK]=Axle - Rear, Dana 44/226MM									
[DRM]=Axle - Rear, Dana, Dana 35C/194MM									
1	J400 6928	4				ER0,			BOLT
2	J324 0553	2				EV0, ER0, EV0			STRAP, Prop Shaft
3									U JOINT
	4882 793	2	J			ER0			[DHF,DHZ,DRK]
		2	J			ER0			[DHF,DHZ,DRM]
		2	J			ER0			[DHP,DRK]
		2	J			ER0			[DHP,DRM]
		2	J			EV0			[DHF]
	5015 694AA	2	T			ER0			[DHM]
		2	T			ER0			[DRK]
-4									RING, U Joint
	J320 7886	4	J			ER0			[DHF,DHZ,DRK]
		4	J			ER0			[DHF,DHZ,DRM]
		4	J			ER0			[DHP,DRK]
		4	J			ER0			[DHP,DRM]
		4	J			EV0			[DHF]
		4	T			ER0			[DHM]
		4	T			ER0			[DRK]
5									SHAFT, Drive, Rear 1-Piece
	52111 483AC	1	J			ER0			[DHF,DHZ,DRK]
	52099 485AF	1	J			ER0			[DHF,DHZ,DRM]
	52105 901AB	1	J			ER0			[DHP,DRK]
	52105 530AD	1	J			ER0			[DHP,DRM]
	52099 487AF	1	J			EV0			[DHF]
	52853 088AA	1	T			ER0			[DHM]
	52853 089AA	1	T			ER0			[DRK]
	52853 090AA	1	T			EV0			No Components Available
6									YOKE, Drive Shaft
	5073 608AA	1	J			ER0			[DHF,DHZ,DRK]
		1	J			ER0			[DHF,DHZ,DRM]
	5080 893AA	1	J			ER0			[DHP,DRK]

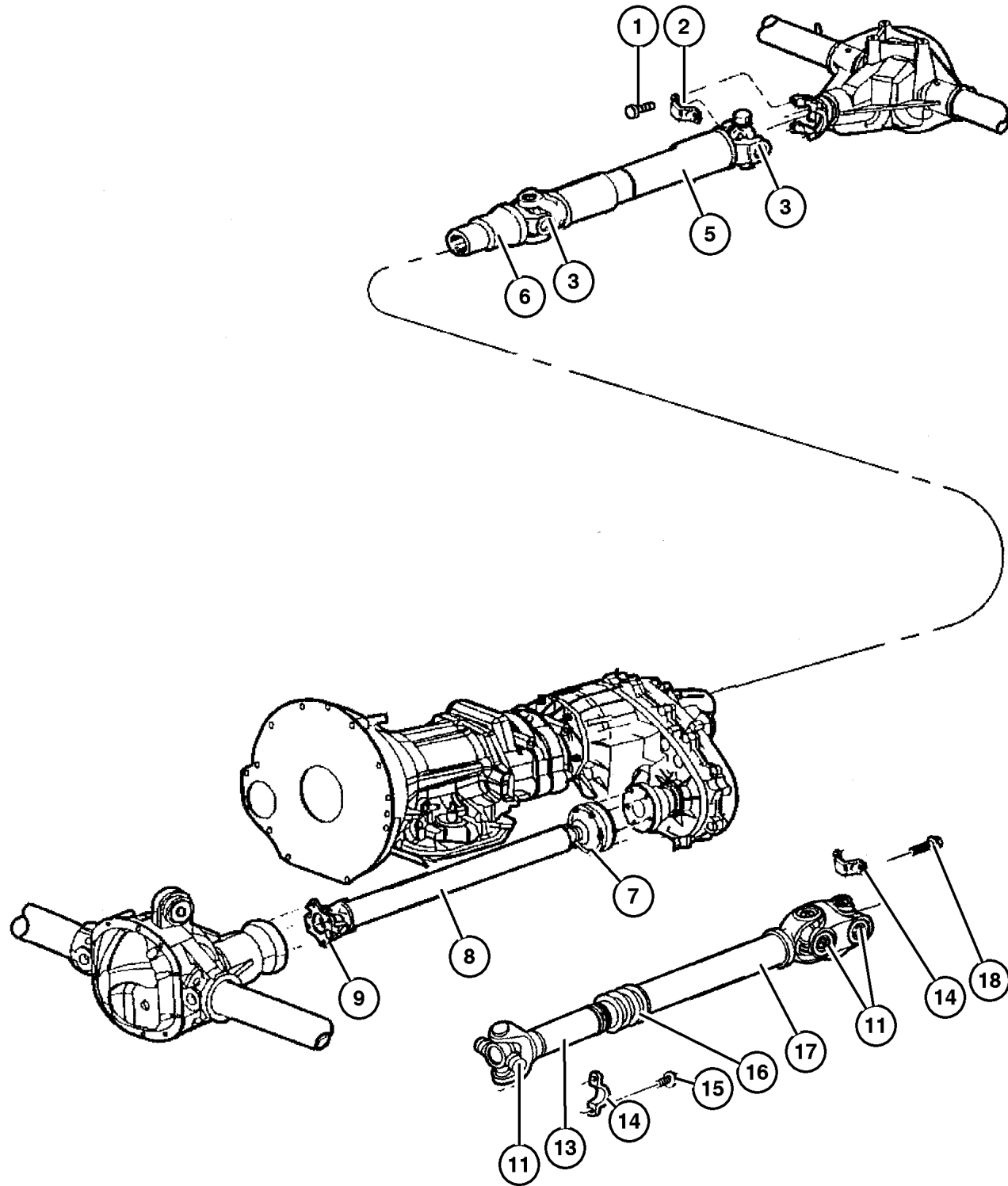
JEEP GRAND CHEROKEE (WJ)

SERIES	LINE	BODY	ENGINE	TRANSMISSION
H = Laredo	J = 4WD	74 = 4 Door	ERH = 4.0L, Power Tech I-6	DGK = 4 Speed Auto, 42RE
M = Sport	T = 2WD		EVA = 4.7L Power Tech V8	DGQ = 5 Speed Auto, 45RFE
P = Limited			EVC = 4.7L HO V8 MPI	DG0 = All Automatic Trans
S = Overland			ER0 = All 4.0L 6 Cyl Gas	
			EV0 = All 4.7L Gas	

AR = Use as required - = Non illustrated part # = New this model year

December 1, 2003

Propeller Shafts, Front and Rear
Figure 016-110



ITEM	PART NUMBER	QTY	LINE	SERIES	BODY	ENGINE	TRANS	TRIM	DESCRIPTION
		1	J			ER0			[DHP, DRM]
	5101 916AA	1	J			EVO			[DHF]
	5017 202AA	1	T			ER0			[DHM]
		1	T			ER0			[DRK]
7	5015 109AA	3	J			ER0	DGK		BOLT AND WASHER, With Tag# 52105884AA, Mounting
8	52105 884AA	1	J			ER0	DGK		SHAFT, Drive, Front, With Tag# 52105884AA
9	5015 694AA	1	J			ER0	DGK		U JOINT, With Tag# 52105884AA, Front
-10	J320 7886	4	J			ER0	DGK		RING, U Joint, With Tag# 52105884AA
11	4882 793	3	J			EVO			U JOINT, With Tag# 52853500AB
-12	J320 7886	4	J			EVO			RING, U Joint, With Tag# 52853500AB
13	5016 375AA	1	J			EVO			YOKE, Drive Shaft, With Tag# 52853500AB
14	J324 0553	2	J			ER0			STRAP, Prop Shaft With Tag# 52105884AA, Front
		4	J			EVO			With Tag# 52853500AB, Front or Rear
15	J400 6928	4	J			ER0			BOLT With Tag# 52105884AA, Front
		8	J			EVO			With Tag# 52853500AB
16	5012 793AA	1	J			EVO			BOOT, Driveshaft, With Tag# 52853500AB
17	52853 500AB	1	J			EVO			SHAFT, Drive, Front, With Tag# 52853500AB
18	6036 415AA	4	J			EVO			BOLT, With Tag# 52853500AB

JEEP GRAND CHEROKEE (WJ)

SERIES	LINE	BODY	ENGINE	TRANSMISSION
H = Laredo	J = 4WD	74 = 4 Door	ERH = 4.0L, Power Tech I-6	DGK = 4 Speed Auto, 42RE
M = Sport	T = 2WD		EVA = 4.7L Power Tech V8	DGQ = 5 Speed Auto, 45RFE
P = Limited			EVC = 4.7L HO V8 MPI	DG0 = All Automatic Trans
S = Overland			ER0 = All 4.0L 6 Cyl Gas	
			EVO = All 4.7L Gas	

AR = Use as required - = Non illustrated part # = New this model year

December 1, 2003

Group - 017

Rear Suspension

GROUP 17 - Rear Suspension

Illustration Title

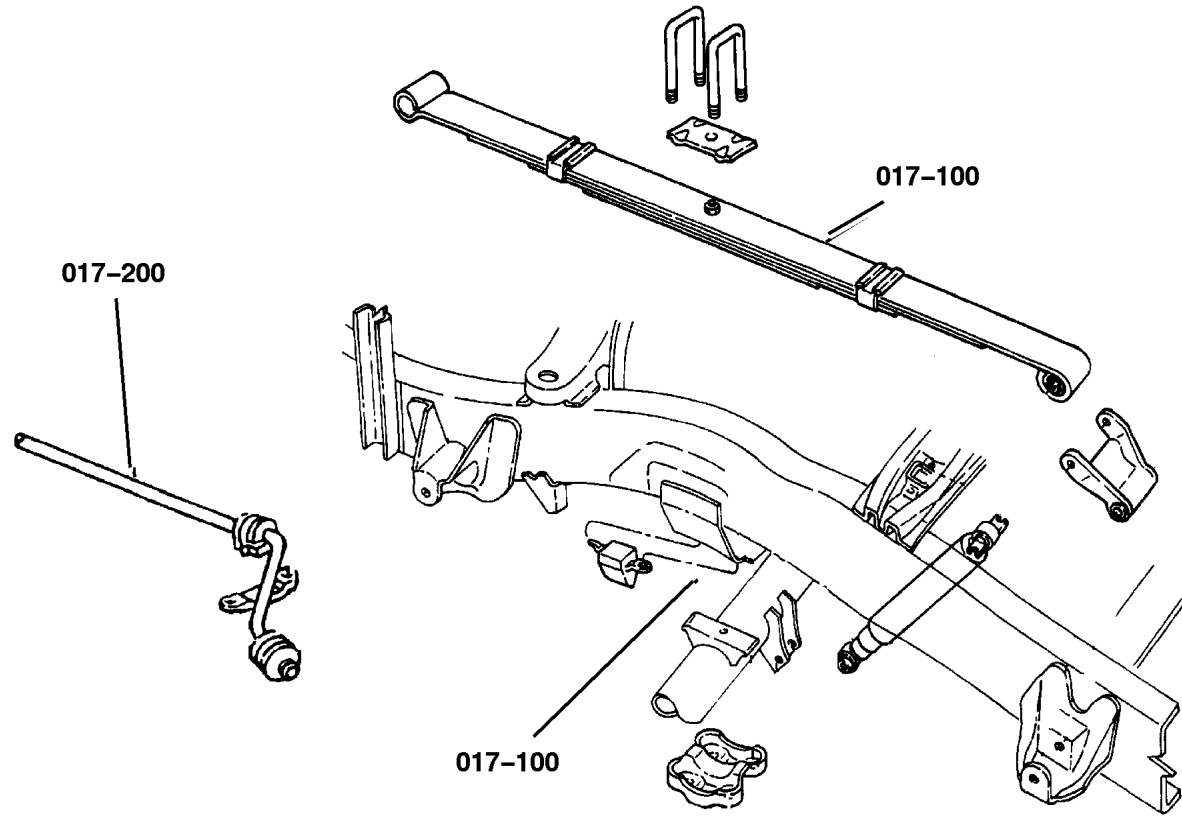
Group-Fig. No.

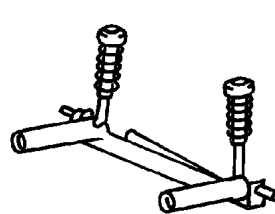
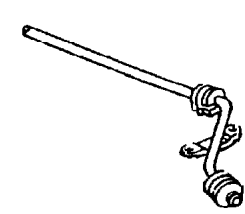
Rear Suspension

Supension, Rear,with Spring,Shocks and Control Arms Fig. 017-110

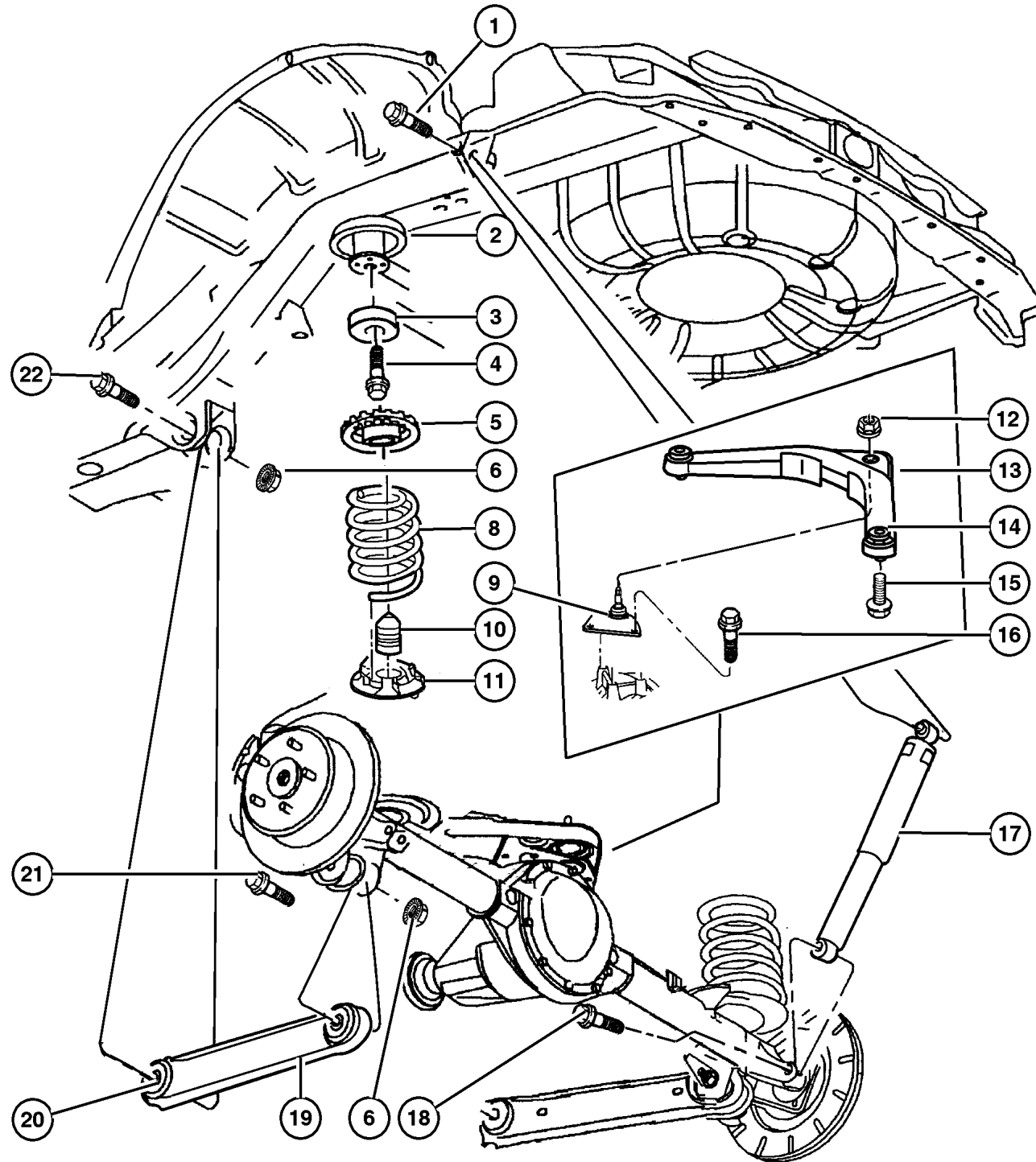
Rear Stabilizer

Stabilizer Bar, Rear Fig. 017-210



<p>017-100 Rear Suspension</p> 	<p>017-200 Rear Stabilizer</p> 		
---	---	--	--

Suspension, Rear, with Spring, Shocks and Control Arms Figure 017-110



ITEM	PART NUMBER	QTY	LINE	SERIES	BODY	ENGINE	TRANS	TRIM	DESCRIPTION
Note: Sales Codes;									
[SDA]=Suspension - Normal Duty									
[SDU]=Shocks - High Pressure Gas Charged									
[ZKW] Through [ZYZ] = Spring Sales Codes will be found on Vehicle Identification Number [VIN] Sales Codes Listing									
1	6506 147AA	2							SCREW, Hex Flange Head, M12x1.75x80, Shock, Mounting
2	5014 781AA	2							GUIDE, Rear Spring, None
3	5208 8350	2							SPACER, Jounce Bumper
4	6505 378AA	2							SCREW, Hex Flange Head, M10x1.5x40, Jounce Bumper Spacer, Mounting
5	5208 8346	2							ISOLATOR, Spring
6	6502 698	3							NUT, Hex Flange Lock, LCA to Left Sill and Axle, Mounting
-7	6505 439AA	1							NUT AND RETAINER, Hex Flange Locking, M14 x 2.00, LCA to Right Sill, Mounting
8	5208 8343	1							SPRING, Suspension, Rear [ZKW,ZYW]
	5208 8550	1							[ZKX,ZYX]
	5208 8404	1							[ZKY,ZYY]
	52089 500AA	1							[ZKZ,ZYZ]
	5208 8551	1							[ZLU,ZZU]
	5208 8344	1							[ZLV,ZZV]
	5208 8345	1							[ZLW,ZZW]
	52080 400AA	1							[ZLX,ZZX]
9	52088 808AB	1							BALL JOINT ASSEMBLY, UPPER CONTROL ARM, REAR
10	52088 352AB	2							BUMPER, Jounce, Lower
11	52088 402AB	2							ISOLATOR, Spring, Lower
12	6505 688AA	1							NUT, Hex Flange Lock, M14x2, UCA to Axle Ball Joint, Mounting
13	52088 422AB	1							ARM, Upper Control, Rear, with 2-Bushings
14	5208 8425	2							BUSHING, Control Arm
15	6504 748	2							SCREW, Hex Flange Head, M12x1.75x117, Control Arm to Body, Mounting
16	6505 445AA	3							BOLT, Ball Joint to Axle, Mounting
17									SHOCK ABSORBER, Suspension, Rear
	52088 221AI	2							[SDA]

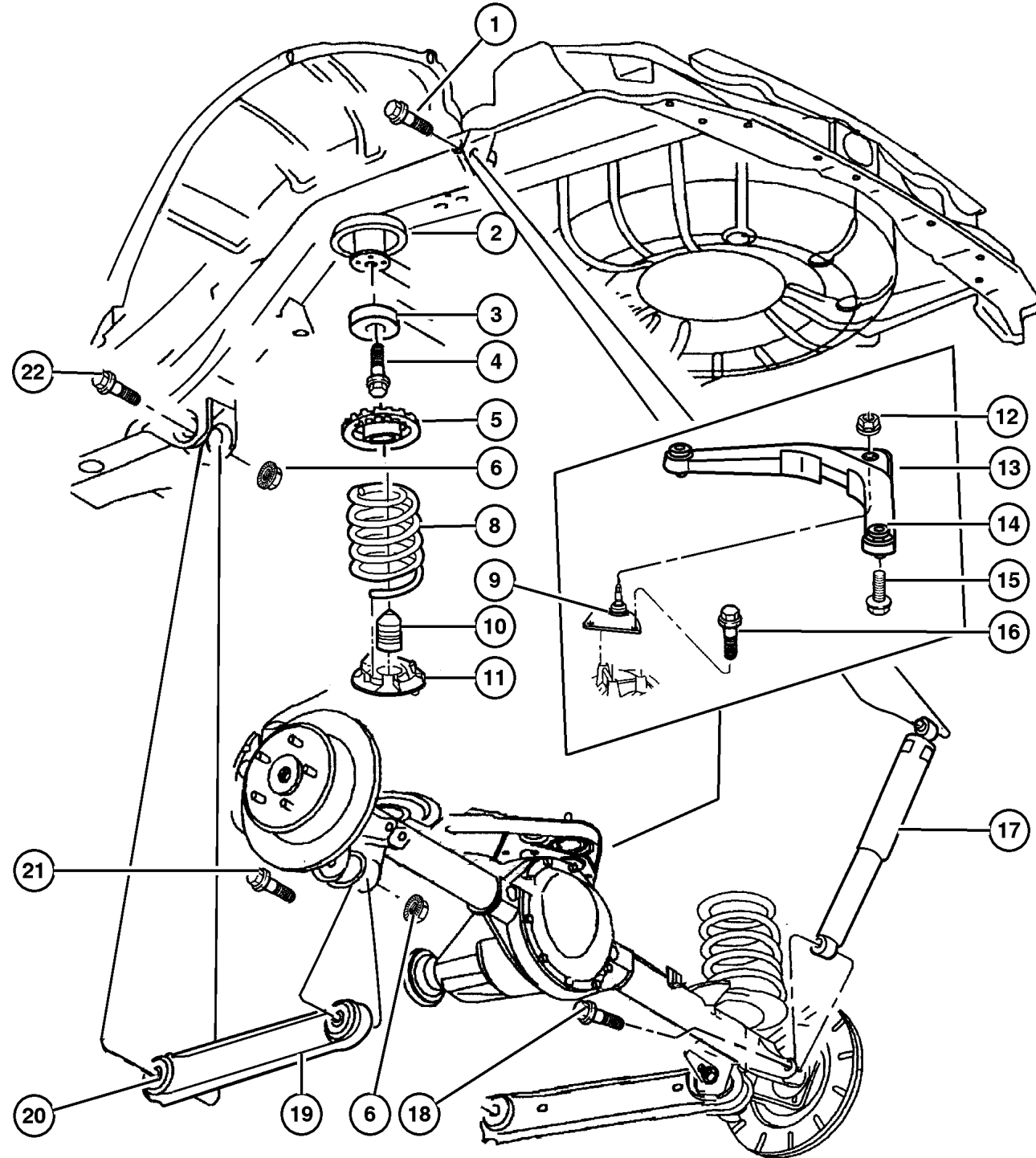
JEEP GRAND CHEROKEE (WJ)

SERIES	LINE	BODY	ENGINE	TRANSMISSION
H = Laredo	J = 4WD	74 = 4 Door	ERH = 4.0L, Power Tech I-6	DGK = 4 Speed Auto, 42RE
M = Sport	T = 2WD		EVA = 4.7L Power Tech V8	DGQ = 5 Speed Auto, 45RFE
P = Limited			EVC = 4.7L HO V8 MPI	DG0 = All Automatic Trans
S = Overland			ER0 = All 4.0L 6 Cyl Gas	
			EVO = All 4.7L Gas	

AR = Use as required - = Non illustrated part # = New this model year

December 1, 2003

Suspension, Rear,with Spring,Shocks and Control Arms
Figure 017-110



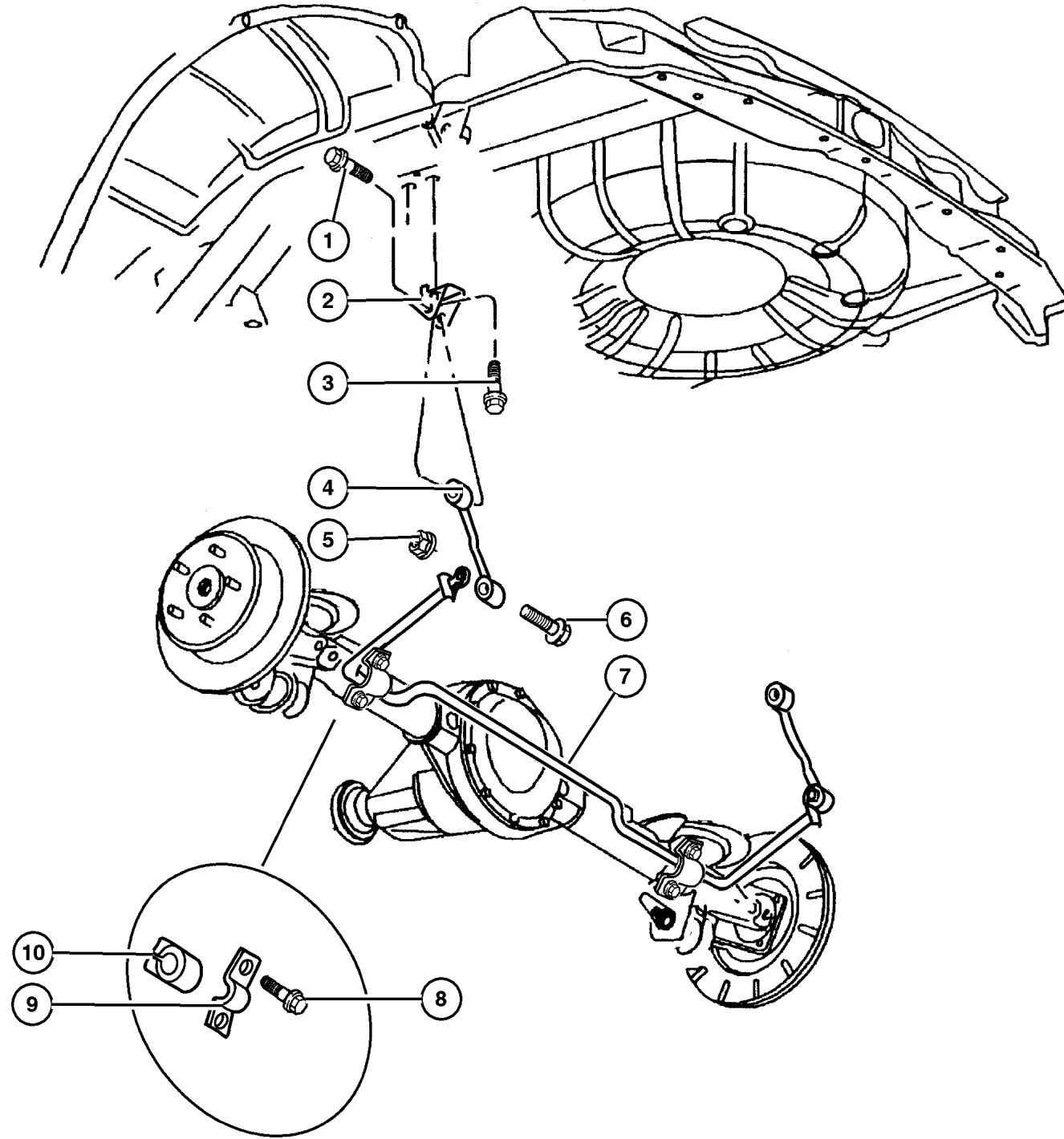
ITEM	PART NUMBER	QTY	LINE	SERIES	BODY	ENGINE	TRANS	TRIM	DESCRIPTION
	#52088 235AE	2							[SDU]
18	6505 935AA	2							SCREW, Shock, Mounting
19	52088 355AB	2							ARM, Control, With 2 Bushings, Lower
20	5208 8220	2							BUSHING, Control Arm, LCA to Sill, Mounting
21	6505 214AA	2							SCREW, Hex Flange Head, M14x2.00x114, LCA to Axle, Mounting
22	6506 033AA	2							BOLT, Hex Flange Head, M14x2.0x105, LCA to Sill, Mounting

JEEP GRAND CHEROKEE (WJ)				
SERIES	LINE	BODY	ENGINE	TRANSMISSION
H = Laredo	J = 4WD	74 = 4 Door	ERH = 4.0L, Power Tech I-6	DGK = 4 Speed Auto, 42RE
M = Sport	T = 2WD		EVA = 4.7L Power Tech V8	DGQ = 5 Speed Auto, 45RFE
P = Limited			EVC = 4.7L HO V8 MPI	DG0 = All Automatic Trans
S = Overland			ER0 = All 4.0L 6 Cyl Gas	
			EVO = All 4.7l Gas	

AR = Use as required - = Non illustrated part # = New this model year

December 1, 2003

Stabilizer Bar, Rear
Figure 017-210



ITEM	PART NUMBER	QTY	LINE	SERIES	BODY	ENGINE	TRANS	TRIM	DESCRIPTION
1	6505 935AA	2							SCREW, Sway Bar Link to Sill Bracket, Mounting
2	52088 525AC	2							BRACKET, Suspension, End Link to Sill, Mounting
3	6101 670	4							SCREW AND WASHER, Hex Head, M10x1.50x35, End Link Bracket to Sill, Mounting
4	52088 319AB	2							LINK, Sway Eliminator, Mounting
5	6502 696	2							NUT, Hex Flange Lock, M10x1.5, Sway Bar Link to Sway Bar, Mounting
6	6503 726	2							SCREW, Shoulder, Sway Bar Link to Sway Bar, Mounting
7	#52088 739AC	1							STABILIZER BAR, Rear Suspension
8	6503 571	4							SCREW AND WASHER, M10x1.50x35, Sway Bar Retainer to Axle, Mounting
9	5208 7865	2							RETAINER, Sway Bar
10	52088 738AD	2							BUSHING, Sway Bar

JEEP GRAND CHEROKEE (WJ)

SERIES	LINE	BODY	ENGINE	TRANSMISSION
H = Laredo	J = 4WD	74 = 4 Door	ERH = 4.0L, Power Tech I-6	DGK = 4 Speed Auto, 42RE
M = Sport	T = 2WD		EVA = 4.7L Power Tech V8	DGQ = 5 Speed Auto, 45RFE
P = Limited			EVC = 4.7L HO V8 MPI	DG0 = All Automatic Trans
S = Overland			ER0 = All 4.0L 6 Cyl Gas	
			EVO = All 4.7l Gas	

AR = Use as required - = Non illustrated part # = New this model year

December 1, 2003

Group – 019

Steering

GROUP 19 - Steering

Illustration Title

Group-Fig. No.

Steering Wheel

Steering Wheel Assembly Fig. 019-110

Steering Column

Steering Column Assy Fig. 019-210

Steering Gear

Steering Gear Fig. 019-310

Steering Linkage

Steering Linkage Fig. 019-410

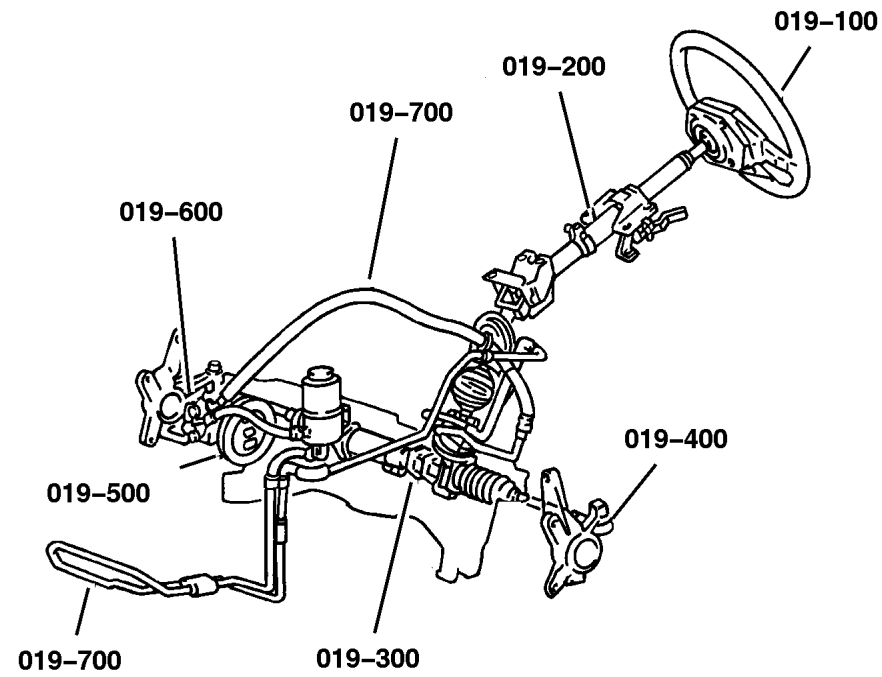
Power Steering Pump

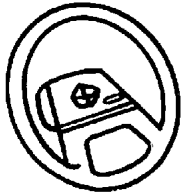
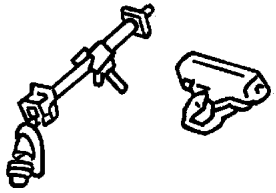
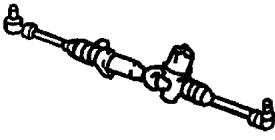
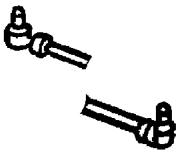
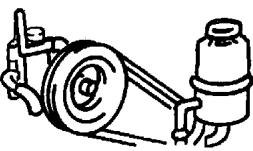
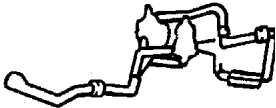
Power Steering Pump Fig. 019-510

Power Steering Hoses

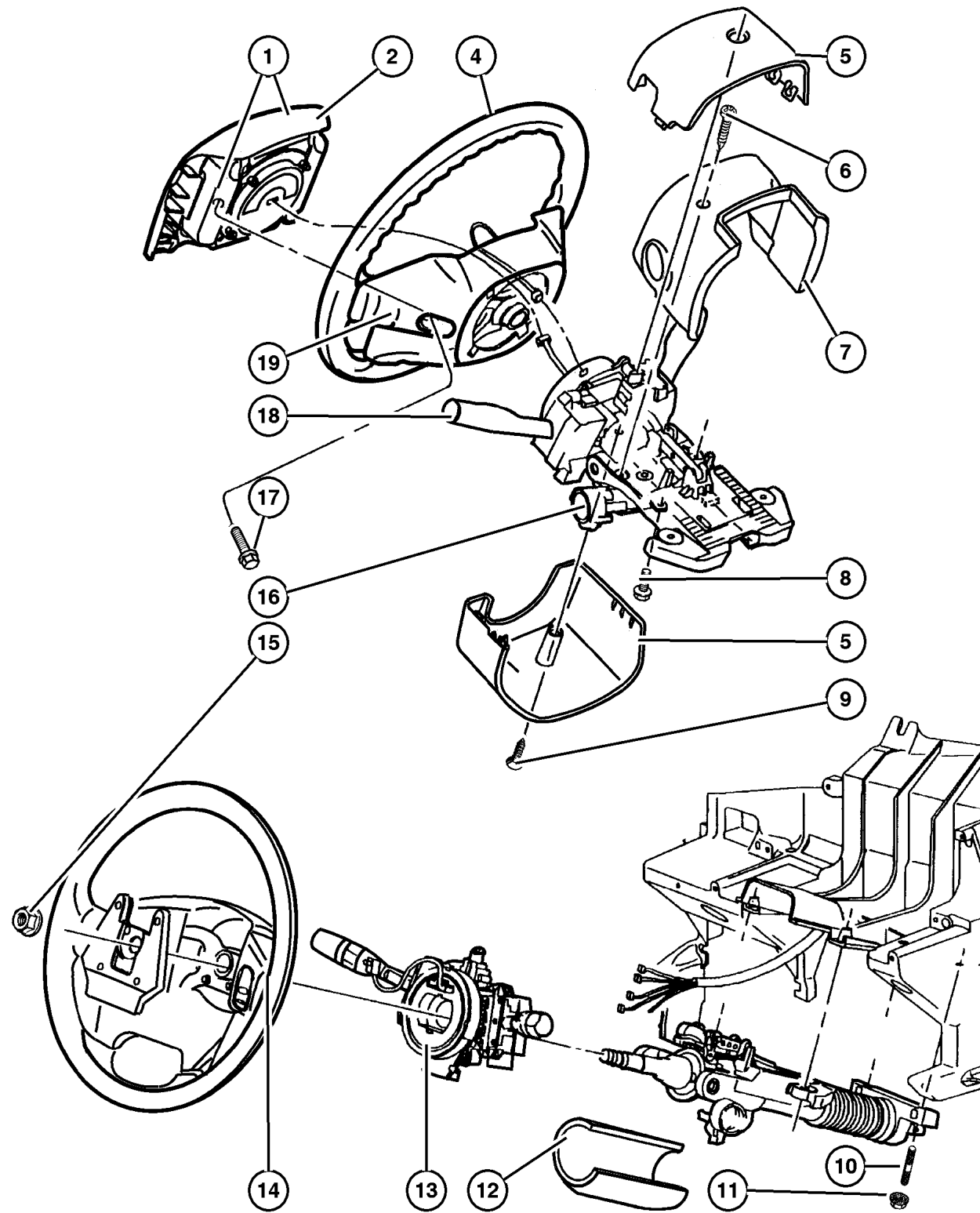
Power Steering Hoses-4.0L [ER0] Engine Fig. 019-710

Power Steering Hoses-4.7L [EV0] Engine Fig. 019-720



<p>019-100 Steering Wheel</p> 	<p>019-200 Steering Column</p> 	<p>019-300 Steering Gear</p> 	<p>019-400 Steering Linkage</p> 
<p>019-500 Power Steering Pump</p> 	<p>019-700 Power Steering Hoses</p> 		

Steering Wheel Assembly Figure 019-110



ITEM	PART NUMBER	QTY	LINE	SERIES	BODY	ENGINE	TRANS	TRIM	DESCRIPTION
Note: Sales Codes;									
[DG0]=Transmissions - All Automatic									
[GXX]=Sentry Key Theft Deterrent System									
[SCA]=Steering Wheel									
[SCL]=Steering Wheel - Leather Wrapped									
[SCW]=Steering Wheel - Wood/Leather Wrapped									
1									AIR BAG, Driver
	5GV61 XDVAC	1		H					
		1		M					
		1		P					[DV]
	5GV61 WL8AC	1		P					[L5]
	5GV61 XTMAC	1		P					[T5]
	5GV61 XDVAC	1		S					
2									COVER, Air Bag Module
	WH20 XDVAA	1		H					With Horn Switch
		1		M					With Horn Switch
		1		P					[DV] With Horn Switch
	WH20 WL8AA	1		P					[L5] With Horn Switch
	WH20 XTMAA	1		P					[T5] With Horn Switch
	WH20 XDVAA	1		S					With Horn Switch
-3									SWITCH, Horn
	5014 533AA	1		H					With Mounting Hardware
		1		M					With Mounting Hardware
		1		P					With Mounting Hardware
		1		S					With Mounting Hardware
4									WHEEL, Steering
	YF74 1DVAB	1							[SCA]
	WB61 1DVAC	1		H					[SCL]
		1		M					[SCL]
		1		P					[SCL] [DV]
	WB61 1L8AC	1		P					[SCL] [L5]
	WB61 1TMAC	1		P					[SCL] [T5]
	YF79 1DVAB	1							[SCW]
5									SHROUD, Steering Column
	5GE40 XDVAB	1		H					Upper And Lower
		1		M					Upper And Lower
		1		P					[DV], Upper And Lower
	5GE40 WL8AB	1		P					[L5], Upper And Lower
	5GE40 XTMAAB	1		P					[T5], Upper And Lower
	5GE40 XDVAB	1		S					Upper And Lower
6	6035 142	2							SCREW, .164-32x1.00, Shroud to Column, Mounting

JEEP GRAND CHEROKEE (WJ)

SERIES	LINE	BODY	ENGINE	TRANSMISSION
H = Laredo	J = 4WD	74 = 4 Door	ERH = 4.0L, Power Tech I-6	DGK = 4 Speed Auto, 42RE
M = Sport	T = 2WD		EVA = 4.7L Power Tech V8	DGQ = 5 Speed Auto, 45RFE
P = Limited			EVC = 4.7L HO V8 MPI	DG0 = All Automatic Trans
S = Overland			ER0 = All 4.0L 6 Cyl Gas	
			EVO = All 4.7L Gas	

AR = Use as required - = Non illustrated part # = New this model year

December 1, 2003

Steering Wheel Assembly Figure 019-110

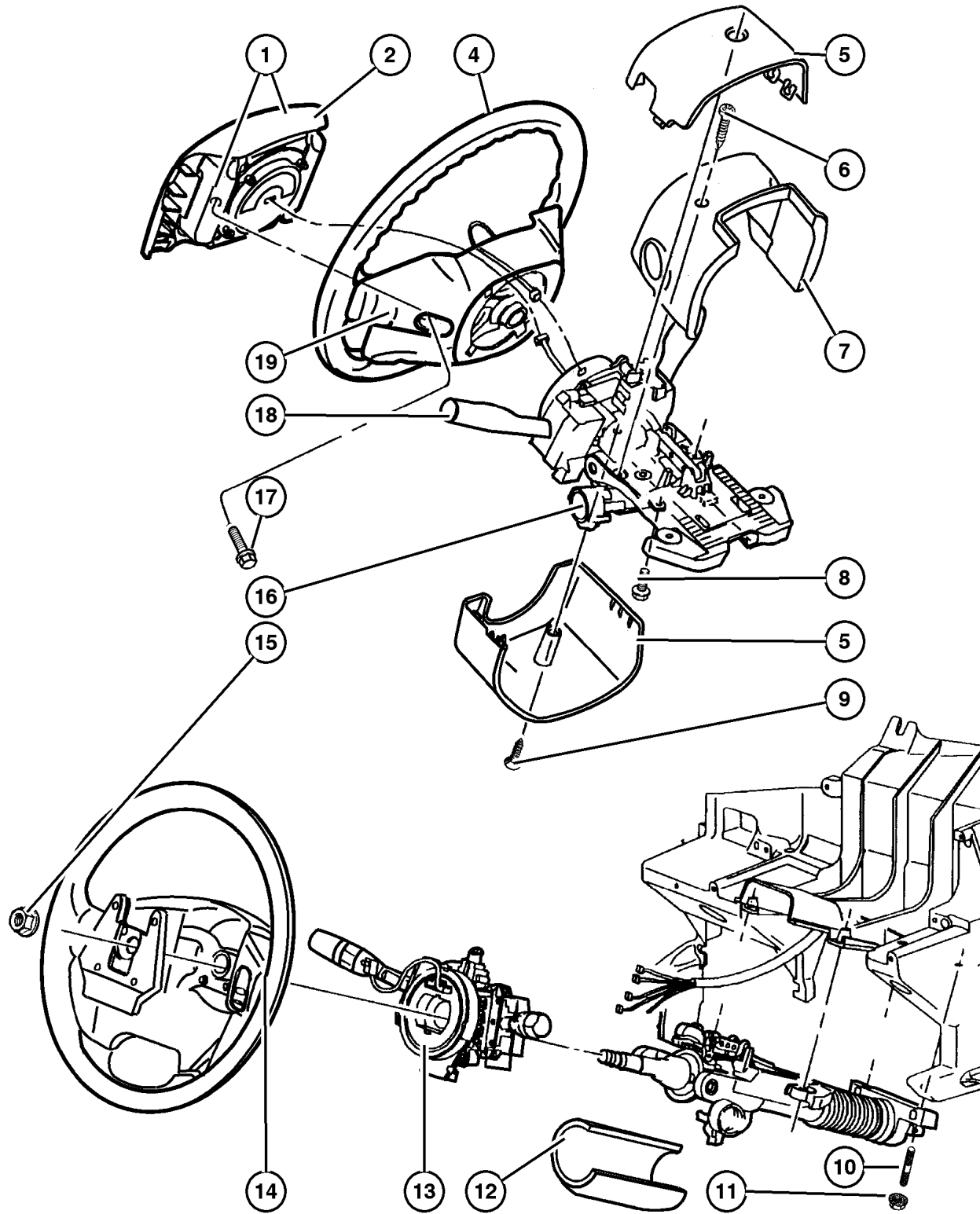
ITEM	PART NUMBER	QTY	LINE	SERIES	BODY	ENGINE	TRANS	TRIM	DESCRIPTION
7									SHROUD, Steering Column
	5GE39 XDVAA	1		H			DG0		Fixed, Upper
		1		M			DG0		Fixed, Upper
		1		P			DG0		Fixed [DV], Upper
	5GE39 WL8AA	1		P			DG0		Fixed [L5], Upper
	5GE39 XTMAA	1		P			DG0		Fixed [T5], Upper
	5GE39 XDVAA	1		S			DG0		Fixed, Upper
8	6505 513AA	1							SCREW, Tapping, M4x0.7x14, SKIM [GXX], Mounting
9	6034 678	1							SCREW, Self Piercing, .164-15-1, Shroud to Shroud, Mounting
10									STUD, M6x1.00mmx48.80mm, (NOT SERVICED) (Not Serviced)
11	6503 014	4							NUT AND WASHER, Hex, M6x1, Steering Column, Mounting
12	4690 413	2							COVER, Steering Column
13	56042 770AE	1							CLOCKSPRING
14									SWITCH, Speed Control
	56042 310AC	1							[SCA], Right
	5GY39 1DVAA	1		P					[SCL] [DV], Left
	5GY38 1L8AA	1		P					[SCL] [L5], Right
	5GY39 1L8AA	1		P					[SCL] [L5], Left
	5GY38 1TMAA	1		P					[SCL] [T5], Right
	5GY39 1TMAA	1		P					[SCL] [T5], Left
	56042 311AC	1							[SCA], Left
	5GY38 1DVAA	1							[SCW], Right
	5GY39 1DVAA	1							[SCW], Left
	5GY38 1DVAA	1		H					[SCL], Right
	5GY39 1DVAA	1		H					[SCL], Left
	5GY38 1DVAA	1		M					[SCL], Right
	5GY39 1DVAA	1		M					[SCL], Left
	5GY38 1DVAA	1		P					[SCL] [DV], Right
15	6505 248AA	1							NUT, Hex Flange Lock, Steering Wheel, Mounting
16	4686 665AC	1							MODULE, Immobilizer, [GXX]
17	6506 091AA	2							SCREW, M6x1x25, Air Bag, Mounting
18	4690 595AA	1							LEVER, Steering Column
19									SWITCH, Remote Radio
	56042 312AB	1							[SCW], Right
	56042 313AB	1							[SCW], Left

JEEP GRAND CHEROKEE (WJ)

SERIES	LINE	BODY	ENGINE	TRANSMISSION
H = Laredo	J = 4WD	74 = 4 Door	ERH = 4.0L, Power Tech I-6	DGK = 4 Speed Auto, 42RE
M = Sport	T = 2WD		EVA = 4.7L Power Tech V8	DGQ = 5 Speed Auto, 45RFE
P = Limited			EVC = 4.7L HO V8 MPI	DG0 = All Automatic Trans
S = Overland			ER0 = All 4.0L 6 Cyl Gas	
			EVO = All 4.7L Gas	

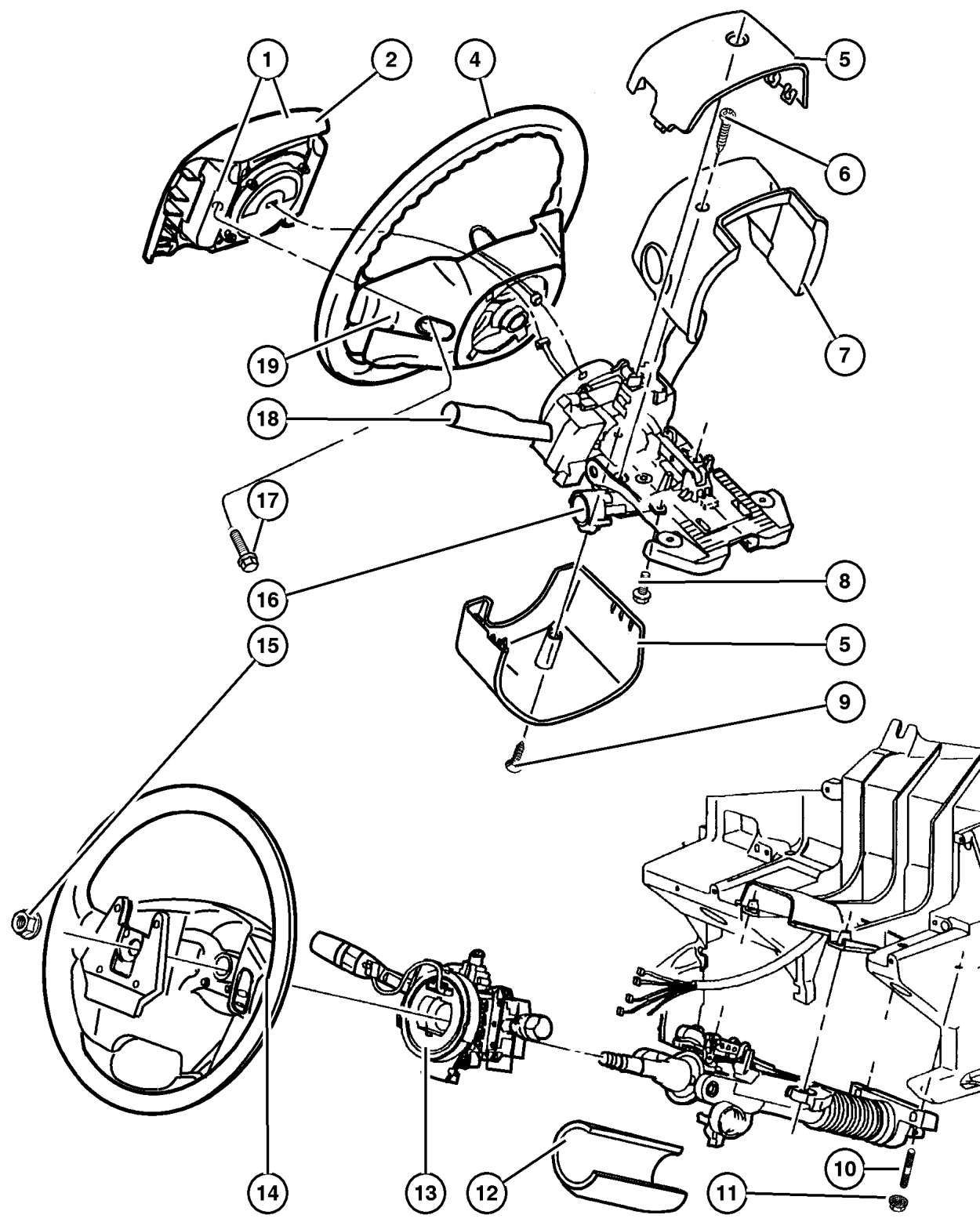
AR = Use as required - = Non illustrated part # = New this model year

December 1, 2003



Steering Wheel Assembly Figure 019-110

ITEM	PART NUMBER	QTY	LINE	SERIES	BODY	ENGINE	TRANS	TRIM	DESCRIPTION
	56042 312AB	1		H					[SCL], Right
	56042 313AB	1		H					[SCL], Left
	56042 312AB	1		M					[SCL], Right
	56042 313AB	1		M					[SCL], Left
	56042 312AB	1		P					[SCL], Right
	56042 313AB	1		P					[SCL], Left
-20	4595 749AA	1							LABEL, Air Bag Warning
-21	56042 934AA	1							WIRING, Steering Wheel
-22	56042 297AE	1							HOUSING, Switch

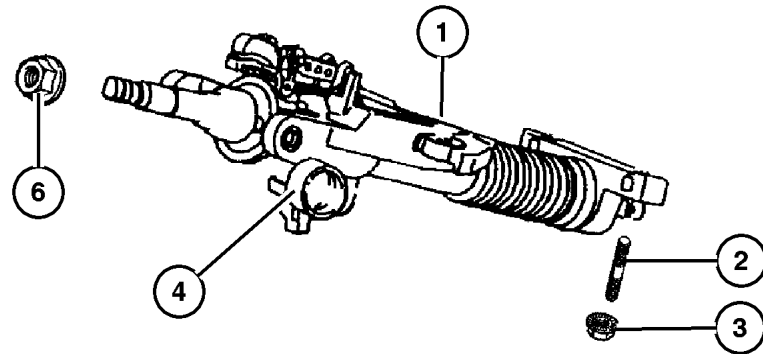


JEEP GRAND CHEROKEE (WJ)				
SERIES	LINE	BODY	ENGINE	TRANSMISSION
H = Laredo	J = 4WD	74 = 4 Door	ERH = 4.0L, Power Tech I-6	DGK = 4 Speed Auto, 42RE
M = Sport	T = 2WD		EVA = 4.7L Power Tech V8	DGQ = 5 Speed Auto, 45RFE
P = Limited			EVC = 4.7L HO V8 MPI	DG0 = All Automatic Trans
S = Overland			ER0 = All 4.0L 6 Cyl Gas	
			EVO = All 4.7L Gas	

AR = Use as required - = Non illustrated part # = New this model year

**Steering Column Assy
Figure 019-210**

ITEM	PART NUMBER	QTY	LINE	SERIES	BODY	ENGINE	TRANS	TRIM	DESCRIPTION
1	55115 970AH	1							COLUMN, Steering, Tilt
2									STUD, M6x1.00mmx48.80mm, (NOT SERVICED) (Not Serviced)
3	6503 014	4							NUT AND WASHER, Hex, M6x1, Steering Column, Mounting
4	4690 488	1							HOUSING, Steering Column Lock, Holds Cylinder and Key
-5	6035 937AA	2							SCREW, .164-18x1.00
6	6505 248AA	1							NUT, Hex Flange Lock, Steering Wheel, Mounting
-7	6503 641	AR							SCREW, M7X1.25X16.00, Steering Column Bracket, Mounting



JEEP GRAND CHEROKEE (WJ)

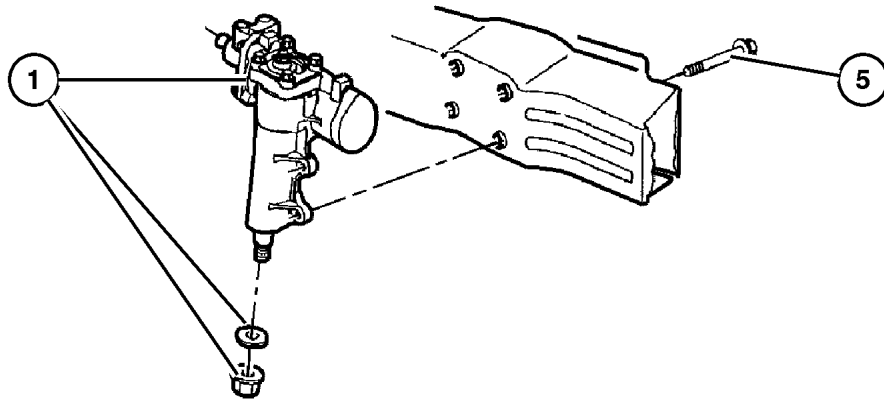
SERIES	LINE	BODY	ENGINE	TRANSMISSION
H = Laredo	J = 4WD	74 = 4 Door	ERH = 4.0L, Power Tech I-6	DGK = 4 Speed Auto, 42RE
M = Sport	T = 2WD		EVA = 4.7L Power Tech V8	DGQ = 5 Speed Auto, 45RFE
P = Limited			EVC = 4.7L HO V8 MPI	DG0 = All Automatic Trans
S = Overland			ER0 = All 4.0L 6 Cyl Gas	
			EVO = All 4.7l Gas	

AR = Use as required - = Non illustrated part # = New this model year

December 1, 2003

Steering Gear Figure 019-310

ITEM	PART NUMBER	QTY	LINE	SERIES	BODY	ENGINE	TRANS	TRIM	DESCRIPTION
1	52088 272AG	1							GEAR, Power Steering
-2	5014 667AA	1							SEAL KIT, Steering Gear Housing
-3	5014 665AA	1							SEAL KIT, Steering Gear
-4	5014 671AA	1							SEAL KIT, Steering gear pitman shaft
5	6504 965AA	4							SCREW, Hex Head, Steering Gear to Sill, Mounting



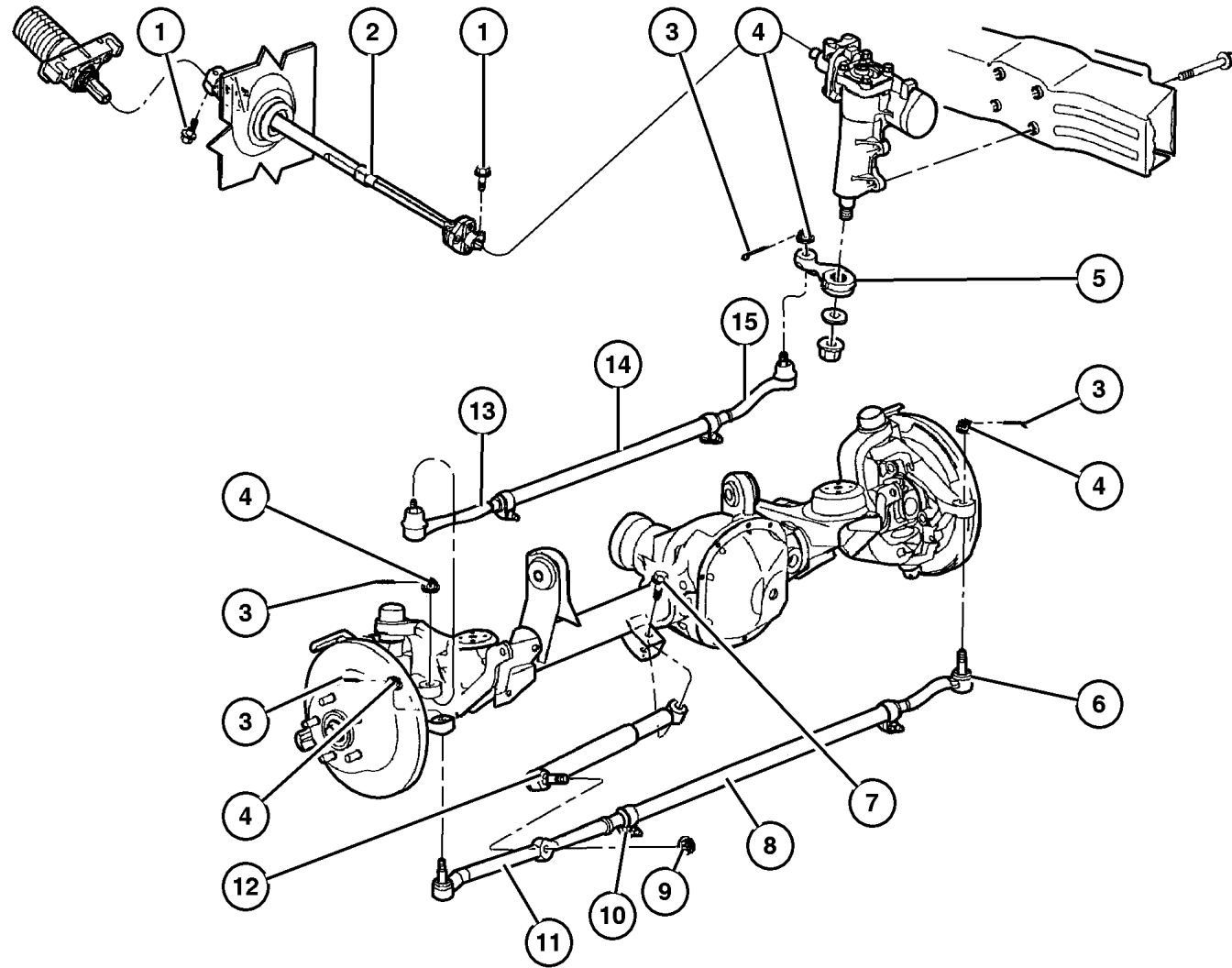
JEEP GRAND CHEROKEE (WJ)

SERIES	LINE	BODY	ENGINE	TRANSMISSION
H = Laredo	J = 4WD	74 = 4 Door	ERH = 4.0L, Power Tech I-6	DGK = 4 Speed Auto, 42RE
M = Sport	T = 2WD		EVA = 4.7L Power Tech V8	DGQ = 5 Speed Auto, 45RFE
P = Limited			EVC = 4.7L HO V8 MPI	DG0 = All Automatic Trans
S = Overland			ER0 = All 4.0L 6 Cyl Gas	
			EVO = All 4.7l Gas	

AR = Use as required - = Non illustrated part # = New this model year

December 1, 2003

Steering Linkage Figure 019-410



ITEM	PART NUMBER	QTY	LINE	SERIES	BODY	ENGINE	TRANS	TRIM	DESCRIPTION
1	6504 926AA	2							SCREW, Hex Flange Head, M10x1.5x40, Intermediate Shaft to Steering Column and Gear Box
2	52088 253AG	1							SHAFT, Intermediate
3									PIN, Cotter
	3420 2101	2							Tie Rod to Knuckle
		1							Drag Link to Pitman Arm
		1							Drag Link to Knuckle
4									NUT, Hex, .50-20
	6034 358	2							Tie Rod to Knuckle, Mounting
		1							Drag Link to Pitman Arm, Mounting
		1							Drag Link to Knuckle, Mounting
5	5208 8242	1							ARM, Pitman
6	52088 869AA	1							SOCKET, Tie Rod, Outer, to Knuckle, Left
7	6502 473	1							BOLT, Hex Flange Head, M12x1.75x65
8	52088 871AB	1							LINK, Steering, Adjuster Tube with Clamps
9	6505 822AA	1							NUT, Damper Stud to Tie Rod, Mounting
10	52088 872AA	1							CLAMP, Steering Damper
11	52088 870AA	1							SOCKET, Tie Rod, Outer, to Knuckle, Right
12	52088 251AB	1							DAMPER, Steering
13	5208 8461	1							SOCKET, Tie Rod
14	52088 463AB	1							LINK, Steering
15	5208 8511	1							SOCKET, Tie Rod

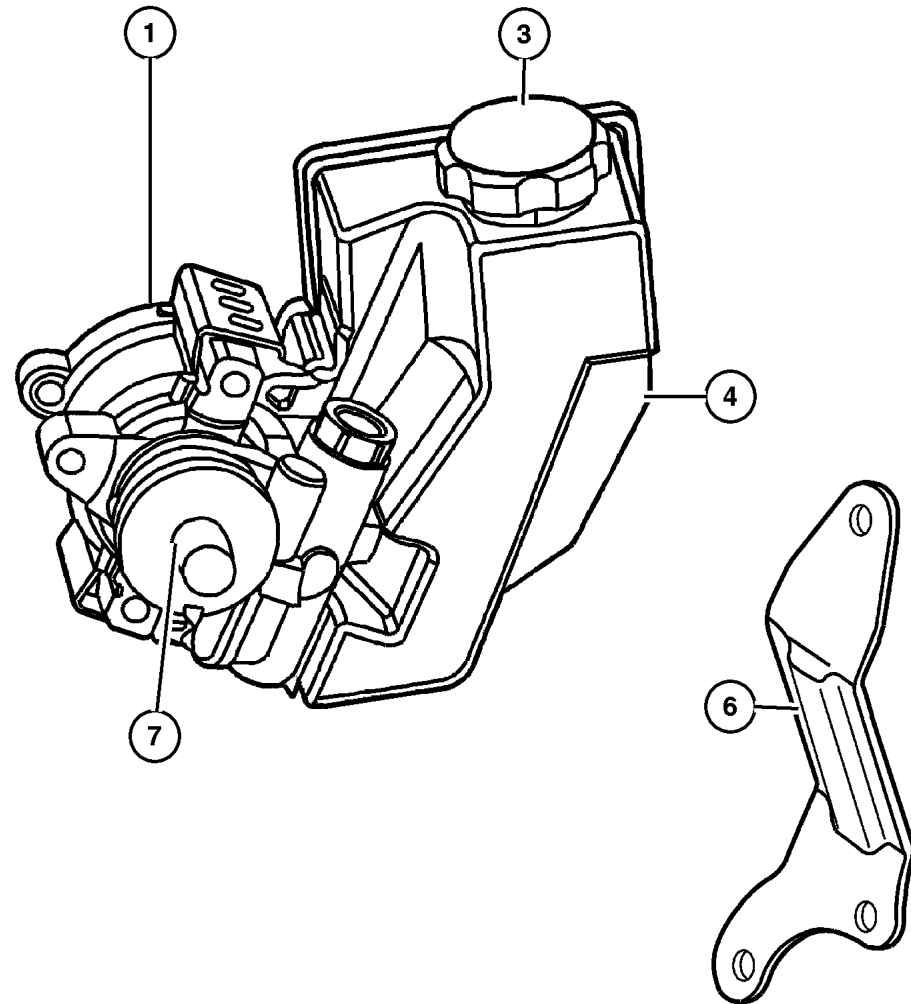
JEEP GRAND CHEROKEE (WJ)

SERIES	LINE	BODY	ENGINE	TRANSMISSION
H = Laredo	J = 4WD	74 = 4 Door	ERH = 4.0L, Power Tech I-6	DGK = 4 Speed Auto, 42RE
M = Sport	T = 2WD		EVA = 4.7L Power Tech V8	DGQ = 5 Speed Auto, 45RFE
P = Limited			EVC = 4.7L HO V8 MPI	DG0 = All Automatic Trans
S = Overland			ER0 = All 4.0L 6 Cyl Gas	
			EVO = All 4.7L Gas	

AR = Use as required - = Non illustrated part # = New this model year

December 1, 2003

**Power Steering Pump
Figure 019-510**



ITEM	PART NUMBER	QTY	LINE	SERIES	BODY	ENGINE	TRANS	TRIM	DESCRIPTION
Note: Sales Codes;									
[ER0] = 4.0L 6 Cyl Engine									
[EV0] = 4.7L Gas Engine									
1	52089 300AB	1				EV0			PUMP, Power Steering
-2	5080 551AA	1				ER0			PUMP ASSEMBLY, Power Steering with Pulley
3	4897 287AA	1				ER0			CAP, Power Steering Reservoir
	5073 626AA	1				EV0			
4	5016 184AA	1				ER0			RESERVOIR KIT, power steering pump, With Retaining Rings and Oring seal
-5	5093 219AA	1				EV0			RESERVOIR, Power Steering Pump
6	4854 157	1				ER0			BRACE, Power Steering Pump
7	4728 247	1				ER0			SEAL, Power Steering Pump Shaft
-8	53010 258AB	1				ER0, EV0			PULLEY, Power Steering Pump
-9	6502 425	3				ER0			SCREW AND WASHER, Hex Head, M8x1.25x95, Steering Pump and Brace, Mounting
-10	6102 045AA	3				EV0			SCREW AND WASHER, Hex Head, Steering Pump, Mounting
-11	52088 914AA	1				EV0			FITTING, Quick Disconnect
-12	5019 705AA	1				EV0			O RING
-13	4778 797AB	1				EV0			SEAL, Power Steering Pump, Fits Between Reservoir and Pump
-14	2537 833	1				EV0			SPRING, Power Steering Pump Flow

JEEP GRAND CHEROKEE (WJ)

SERIES	LINE	BODY	ENGINE	TRANSMISSION
H = Laredo	J = 4WD	74 = 4 Door	ERH = 4.0L, Power Tech I-6	DGK = 4 Speed Auto, 42RE
M = Sport	T = 2WD		EVA = 4.7L Power Tech V8	DGQ = 5 Speed Auto, 45RFE
P = Limited			EVC = 4.7L HO V8 MPI	DG0 = All Automatic Trans
S = Overland			ER0 = All 4.0L 6 Cyl Gas	
			EV0 = All 4.7L Gas	

AR = Use as required - = Non illustrated part # = New this model year

December 1, 2003

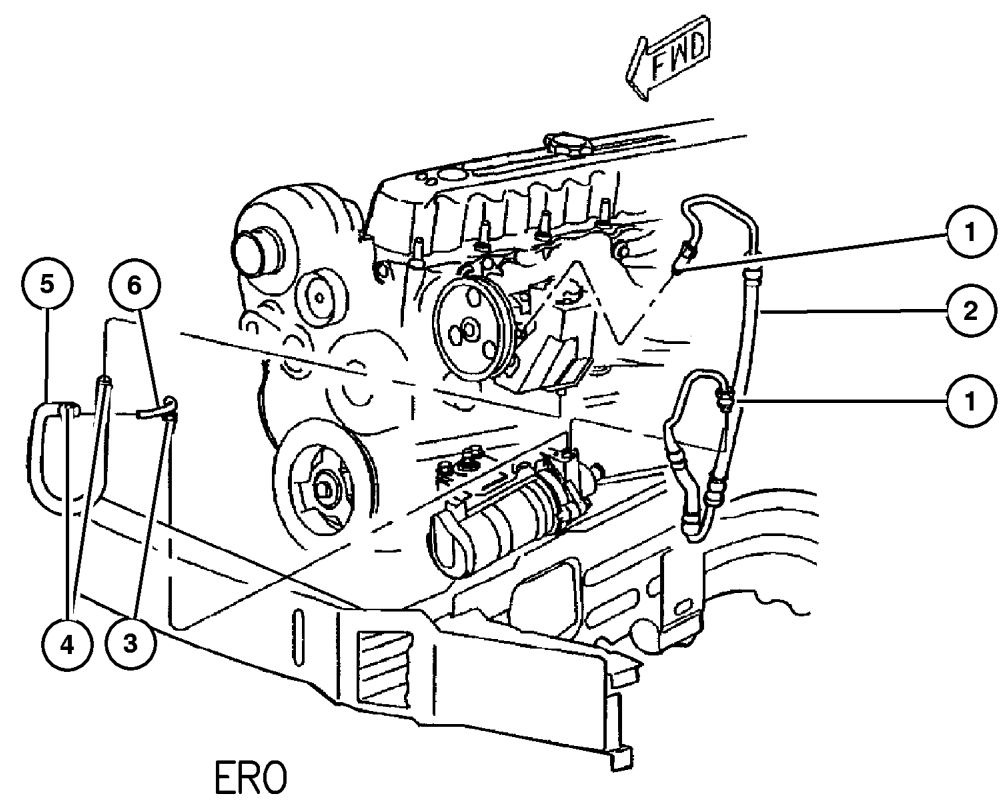
**Power Steering Hoses-4.0L [ER0] Engine
Figure 019-710**

ITEM	PART NUMBER	QTY	LINE	SERIES	BODY	ENGINE	TRANS	TRIM	DESCRIPTION
------	-------------	-----	------	--------	------	--------	-------	------	-------------

Note: Sales Codes;

ER0=All 4.0L 6 Cylinder Gas Engine

1	5205 254	2				ER0			O RING, Power Steering Hose
2	52088 452AD	1				ER0			HOSE, Power Steering Pressure, Includes Orings
3	5205 254	1				ER0			O RING, Power Steering Hose
4	2448 761	2				ER0			CLAMP, Hose
5	52088 774AB	1				ER0			HOSE, Power Steering Return, Includes Clamps
6	52088 775AA	1				ER0			TUBE, Power Steering Return, Includes Oring



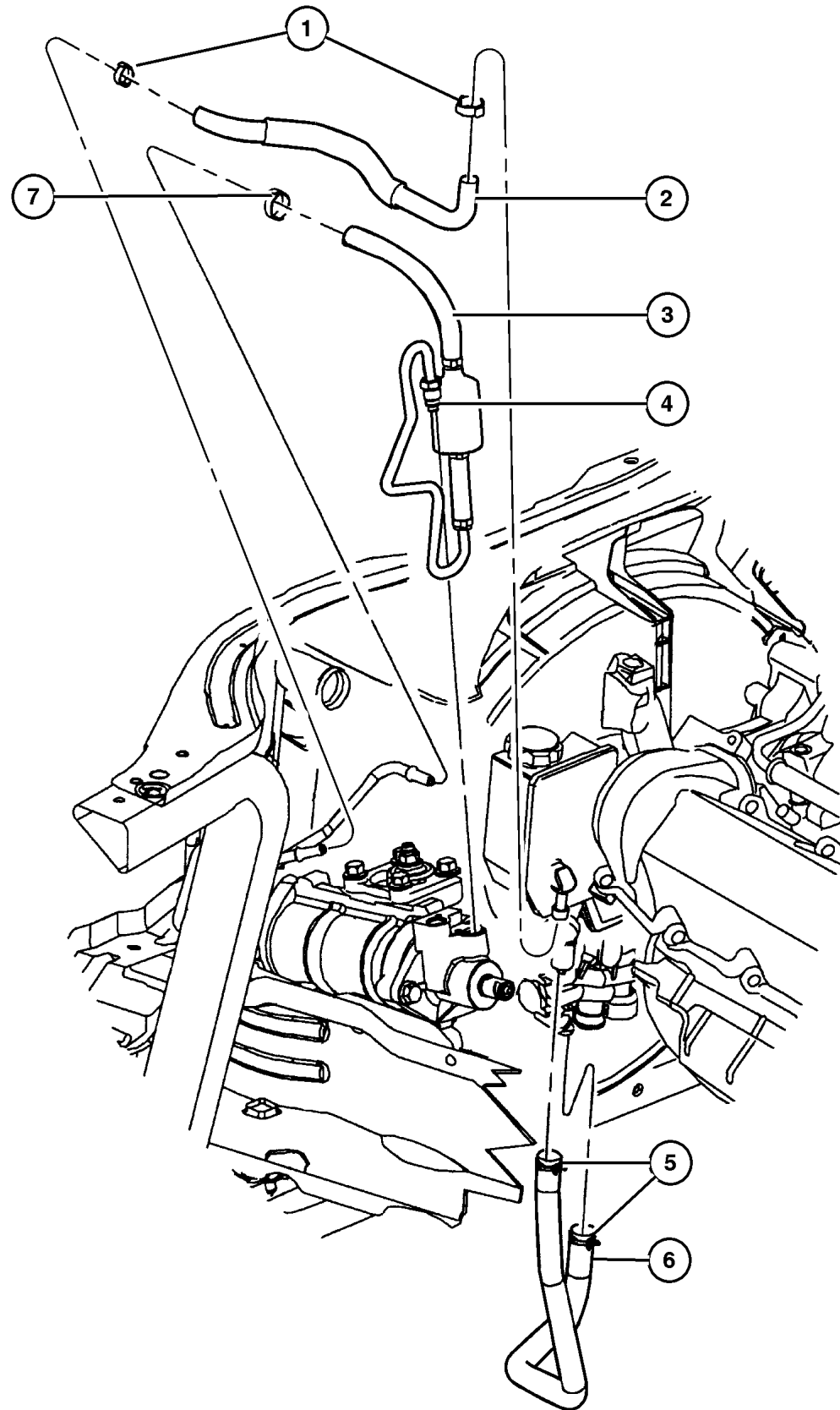
JEEP GRAND CHEROKEE (WJ)

SERIES	LINE	BODY	ENGINE	TRANSMISSION
H = Laredo	J = 4WD	74 = 4 Door	ERH = 4.0L, Power Tech I-6	DGK = 4 Speed Auto, 42RE
M = Sport	T = 2WD		EVA = 4.7L Power Tech V8	DGQ = 5 Speed Auto, 45RFE
P = Limited			EVC = 4.7L HO V8 MPI	DG0 = All Automatic Trans
S = Overland			ER0 = All 4.0L 6 Cyl Gas	
			EVO = All 4.7l Gas	

AR = Use as required - = Non illustrated part # = New this model year

December 1, 2003

**Power Steering Hoses-4.7L [EV0] Engine
Figure 019-720**



ITEM	PART NUMBER	QTY	LINE	SERIES	BODY	ENGINE	TRANS	TRIM	DESCRIPTION
Note:Sales Codes;									
EV0= All 4.7L Engines									
Note: For hoses that are attached to the Cooling Module,see Group 7.									
1	2448 770	2				EV0			CLAMP, Hose
2	52088 922AE	1				EV0			HOSE, Power Steering Return
3	52088 918AG	1				EV0			HOSE, Power Steering Return, Includes Items 4,7
4	5205 254	1				EV0			O RING, Power Steering Hose
5	6502 017	2				EV0			CLAMP, Heater Hose
6	52088 916AB	1				EV0			HOSE, Power Steering Reservoir, Includes Item 5
7	6507 233AA	1				EV0			CLAMP, Hose, Spring Type
-8	55116 805AA	1				EV0			CLIP, Hose to Shroud, Mounting
-9	52079 928AA	1				EV0			CLIP, Line, Pressure Line 1/2'
-10	52088 914AA	1				EV0			FITTING, Quick Disconnect
-11	6504 502	2				EV0			CLAMP, Fuel Hose, 1/4", Cooler To Reservoir
-12	5019 708AD	1				EV0			HOSE PACKAGE, Hydraulic Fan

JEEP GRAND CHEROKEE (WJ)

SERIES	LINE	BODY	ENGINE	TRANSMISSION
H = Laredo	J = 4WD	74 = 4 Door	ERH = 4.0L, Power Tech I-6	DGK = 4 Speed Auto, 42RE
M = Sport	T = 2WD		EVA = 4.7L Power Tech V8	DGQ = 5 Speed Auto, 45RFE
P = Limited			EVC = 4.7L HO V8 MPI	DG0 = All Automatic Trans
S = Overland			ER0 = All 4.0L 6 Cyl Gas	
			EV0 = All 4.7L Gas	

AR = Use as required - = Non illustrated part # = New this model year

December 1, 2003

Group – 42RE

Automatic Transmission 4 Speed

GROUP 42RE - Automatic Transmission 4 Speed

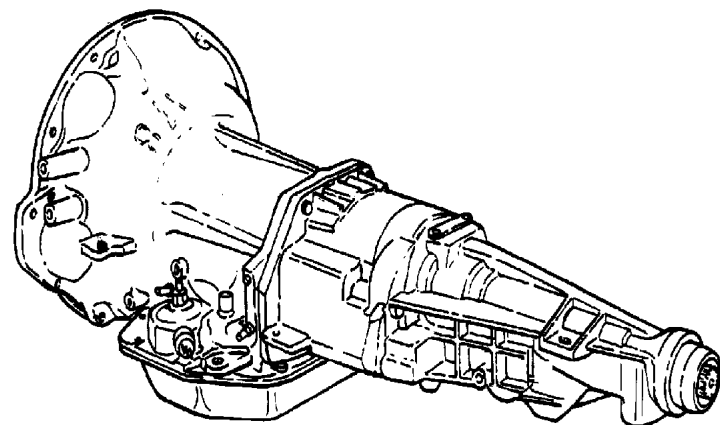
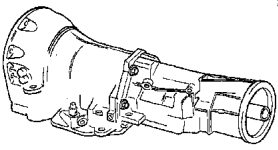
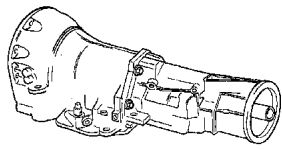

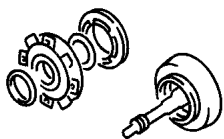
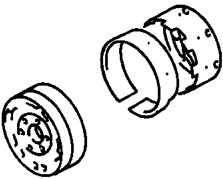
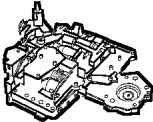
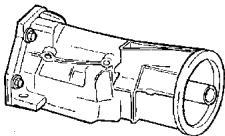
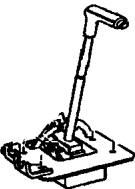
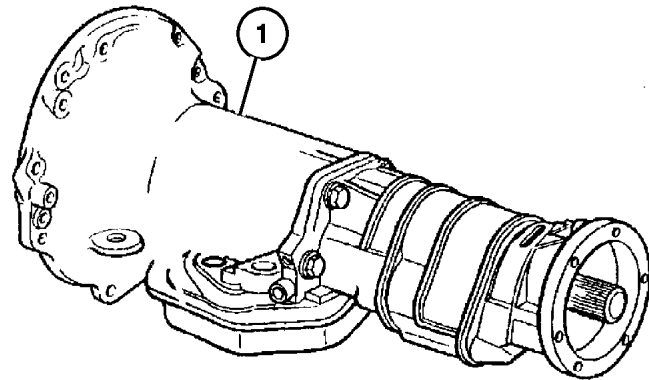


Illustration Title	Group-Fig. No.
Transmission Assembly	
Transmission Assembly [DGK]	Fig. 42RE-110
Case and Extension	
Case & Related Parts [DGK - 2WD]	Fig. 42RE-210
Case & Related Parts [DGK - 4WD]	Fig. 42RE-220
Case & Extension [DGK]	Fig. 42RE-230
Oil Pump	
Pump, Oil [DGK]	Fig. 42RE-310
Gear Train	
Clutch, Front & Rear [DGK]	Fig. 42RE-410
Gear Train & Intermediate Shaft [DGK]	Fig. 42RE-420
Output Shaft [DGK]	Fig. 42RE-430
Bands, Reverse and Kickdown	
Bands [DGK]	Fig. 42RE-510
Valve Body	
Valve Body [DGK]	Fig. 42RE-710
Servos [DGK]	Fig. 42RE-720
Parking Sprag [DGK]	Fig. 42RE-730
Overdrive Gear Train	
Overdrive Gear Train [DGK]	Fig. 42RE-1010
Gearshift Controls	
Gearshift Control [DGK]	Fig. 42RE-1210

42RE-100 Transmission Assembly 	42RE-200 Case and Extension 	42RE-300 Oil Pump 	42RE-400 Gear Train 
42RE-500 Bands, Reverse and Kickdown 	42RE-700 Valve Body 	42RE-1000 Overdrive Gear Train 	42RE-1200 Gearshift Controls 

**Transmission Assembly [DGK]
Figure 42RE-110**

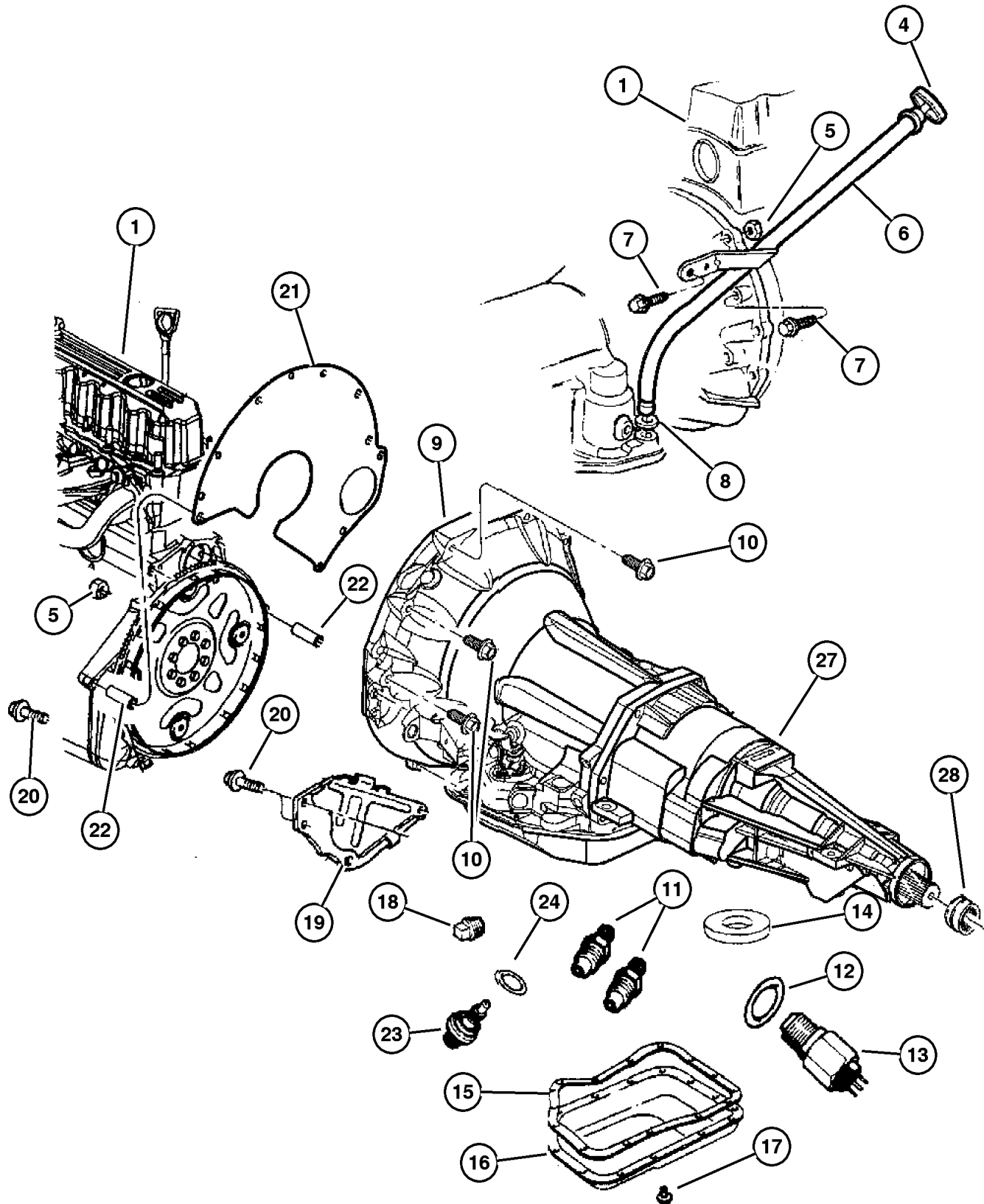
ITEM	PART NUMBER	QTY	LINE	SERIES	BODY	ENGINE	TRANS	TRIM	DESCRIPTION
NOTES:									
Sales Codes									
[DGK] = 4 Speed Automatic Transmissions - [42RE]									
1									TRANSMISSION PACKAGE
	5015 274AA	1	J				DGK		
	5015 273AA	1	T				DGK		
-2									OVERDRIVE
	52118 783AB	1	J				DGK		
	5211 8782	1	T				DGK		



JEEP GRAND CHEROKEE (WJ)				
SERIES	LINE	BODY	ENGINE	TRANSMISSION
H = Laredo	J = 4WD	74 = 4 Door	ERH = 4.0L, Power Tech I-6	DGK = 4 Speed Auto, 42RE
M = Sport	T = 2WD		EVA = 4.7L Power Tech V8	DGQ = 5 Speed Auto, 45RFE
P = Limited			EVC = 4.7L HO V8 MPI	DG0 = All Automatic Trans
S = Overland			ER0 = All 4.0L 6 Cyl Gas	
			EVO = All 4.7l Gas	

AR = Use as required - = Non illustrated part # = New this model year

Case & Related Parts [DGK - 2WD]
Figure 42RE-210



ITEM	PART NUMBER	QTY	LINE	SERIES	BODY	ENGINE	TRANS	TRIM	DESCRIPTION
NOTE:Sales Code									
[DGK]=4 Speed Automatic Transmission - [42RE]									
[DG0]=All 4 Speed Automatic Transmissions									
[ER0]=All 4.0L In-Line 6 Engines									
1									ENGINE, Complete, (NOT SERVICED) (Not Serviced)
-2	5080 605AA	1	T				DGK		OVERHAUL PACKAGE, Transmission
-3	5080 604AA	1	T				DGK		SEAL AND GASKET PACKAGE, Transmission
4	52118 641AD	1				ER0	DG0		INDICATOR, Transmission Fluid Level
5	J021 9422	1					DGK		NUT, Hex
6	5210 4247	1					DGK		TUBE, Transmission Oil Filler
7	0153 371	1					DGK		BOLT, Hex Head, .375-16x2.25
8	52118 629AB	1				ER0	DG0		SEAL, Oil Filler Tube
9	5211 8291	1	T				DGK		CASE, Transmission
10	J400 4370	2				ER0	DG0		BOLT AND WASHER, Hex Head, .437-14x2.75
11	6033 879	2	T				DGK		NUT, Inverted Flare, .62-18
12	2408 143	1	T				DGK		WASHER, Switch
13	3747 361	1	T				DGK		SWITCH, Neutral, Safety, Back Up
14	3681 601	3	T				DGK		MAGNET, Transmission
15	4295 875AC	1	T				DGK		GASKET, Oil Pan
16	52118 779AD	3	T				DGK		PAN, Transmission Oil
17	6036 402AA	14	T				DGK		SCREW
18	6028 095	1	T				DGK		PLUG, Pressure Check
19	52118 136AB	1				ER0	DG0		COVER, Converter
20	4723 548	2	T				DGK		SCREW AND WASHER, Hex Head, .312-18x.625
21	J323 7847	1				ER0	DG0		SPACER, Clutch Housing
22	J400 5148	2				ER0	DG0		DOWEL, Transmission
23	4800 879	1	T				DGK		SENSOR, Transmission Output Speed
24	6501 658AB	1	T				DGK		O RING, Trans Speed Sensor
-25	5211 8181	1	T				DGK		CLIP
-26	52104 248AA	1	T				DG0		GROMMET, Plug Shift Cable
27	5003 231AA	1	T				DGK		CASE, Transmission Rear
28	4531 216AB	1	T				DGK		SEAL, Output Shaft

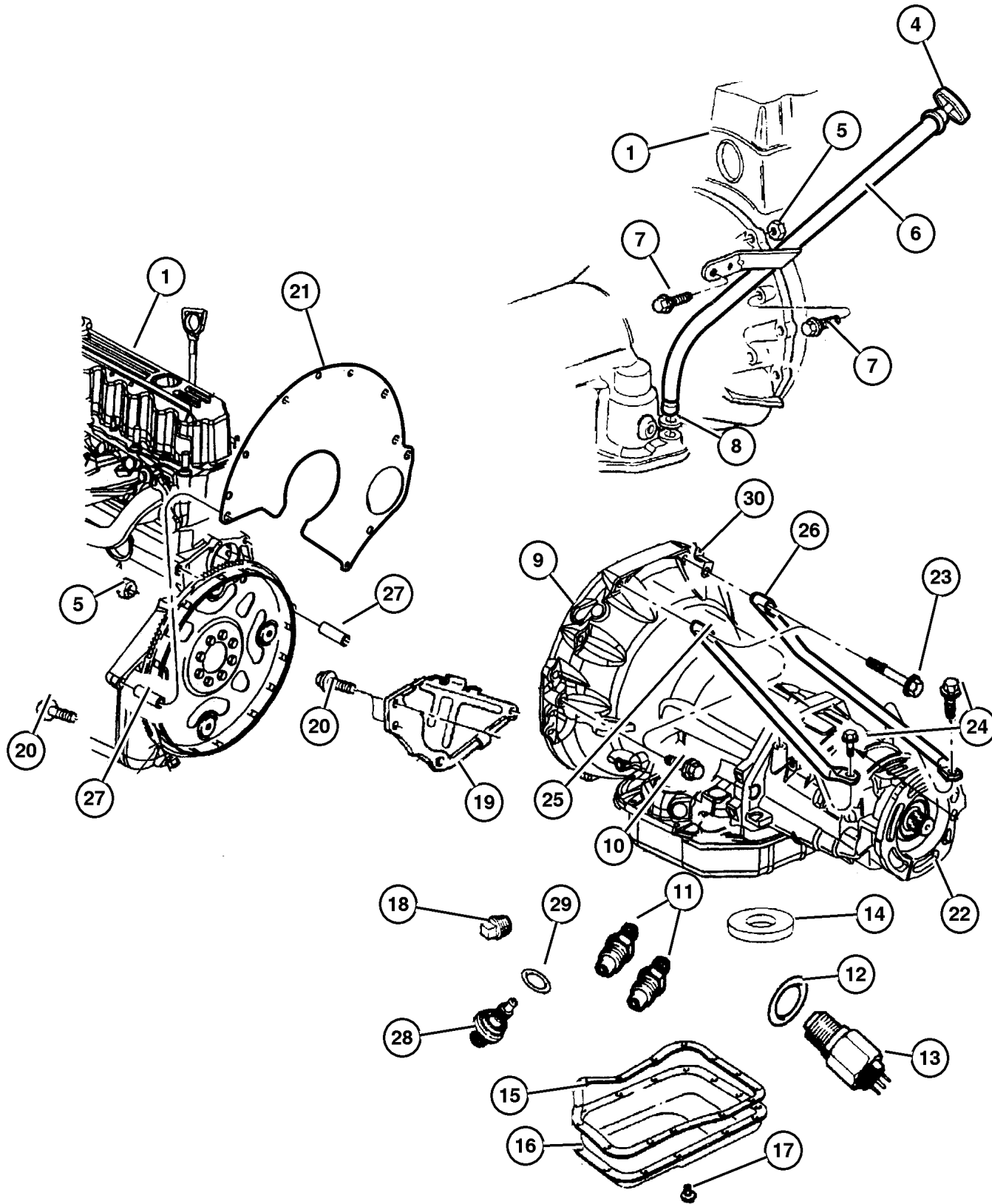
JEEP GRAND CHEROKEE (WJ)

SERIES	LINE	BODY	ENGINE	TRANSMISSION
H = Laredo	J = 4WD	74 = 4 Door	ERH = 4.0L, Power Tech I-6	DGK = 4 Speed Auto, 42RE
M = Sport	T = 2WD		EVA = 4.7L Power Tech V8	DGQ = 5 Speed Auto, 45RFE
P = Limited			EVC = 4.7L HO V8 MPI	DG0 = All Automatic Trans
S = Overland			ER0 = All 4.0L 6 Cyl Gas	
			EVO = All 4.7L Gas	

AR = Use as required - = Non illustrated part # = New this model year

December 1, 2003

Case & Related Parts [DGK - 4WD]
Figure 42RE-220



ITEM	PART NUMBER	QTY	LINE	SERIES	BODY	ENGINE	TRANS	TRIM	DESCRIPTION
NOTE:									
Sales Code:									
[DGK]=4 Speed Automatic Transmission - [42RE]									
[DG0]=All 4 Speed Automatic Transmissions									
[ER0]=All 4.0L In-Line 6 Engines									
1									ENGINE, Complete, (NOT SERVICED) (Not Serviced)
-2	5080 605AA	1	J				DGK		OVERHAUL PACKAGE, Transmission
-3	5080 604AA	1	J				DGK		SEAL AND GASKET PACKAGE, Transmission
4	52118 641AD	1				ER0	DG0		INDICATOR, Transmission Fluid Level
5	J021 9422	1					DGK		NUT, Hex
6	5210 4247	1					DGK		TUBE, Transmission Oil Filler
7	0153 371	1					DGK		BOLT, Hex Head, .375-16x2.25
8	52118 629AB	1				ER0	DG0		SEAL, Oil Filler Tube
9	5211 8291	1	J				DGK		CASE, Transmission
10	J400 4370	2				ER0	DG0		BOLT AND WASHER, Hex Head, .437-14x2.75
11	6033 879	2	J				DGK		NUT, Inverted Flare, .62-18
12	2408 143	1	J				DGK		WASHER, Switch
13	3747 361	1	J				DGK		SWITCH, Neutral, Safety, Back Up
14	3681 601	1	J			ER0			MAGNET, Transmission
15	4295 875AC	1	J				DGK		GASKET, Oil Pan
16	52118 779AD	3	J				DGK		PAN, Transmission Oil
17	6036 402AA	14	J				DGK		SCREW
18	6028 095	1	J				DGK		PLUG, Pressure Check
19	52118 136AB	1				ER0	DG0		COVER, Converter
20	4723 548	1	J				DGK		SCREW AND WASHER, Hex Head, .312-18x.625
21	J323 7847	1				ER0	DG0		SPACER, Clutch Housing
22	5012 428AA	1	J				DGK		ADAPTER, Transfer Case
23	6034 242	2	J			ER0	DG0		SCREW AND WASHER
24	6027 865	2	J			ER0	DG0		SCREW, .375-16x1.375
25	5210 4201	1	J			ER0	DG0		BRACE, Bending Transmission, Top Left
26	5210 4200	1	J			ER0	DG0		BRACE, Bending Transmission, Top Right
27	J400 5148	2				ER0			DOWEL, Transmission
28	4800 879	1	J				DGK		SENSOR, Transmission Output Speed

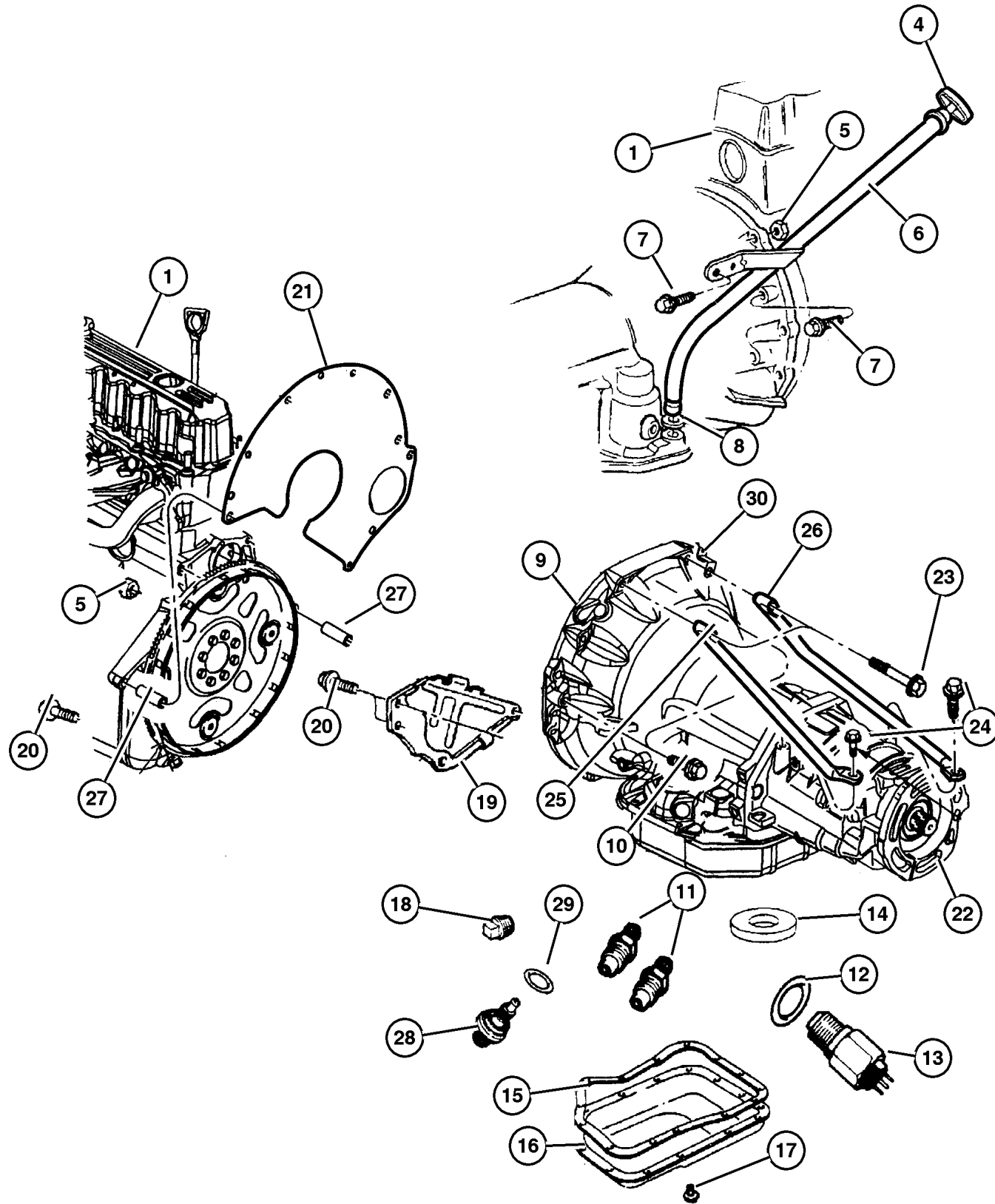
JEEP GRAND CHEROKEE (WJ)

SERIES	LINE	BODY	ENGINE	TRANSMISSION
H = Laredo	J = 4WD	74 = 4 Door	ERH = 4.0L, Power Tech I-6	DGK = 4 Speed Auto, 42RE
M = Sport	T = 2WD		EVA = 4.7L Power Tech V8	DGQ = 5 Speed Auto, 45RFE
P = Limited			EVC = 4.7L HO V8 MPI	DG0 = All Automatic Trans
S = Overland			ER0 = All 4.0L 6 Cyl Gas	
			EVO = All 4.7L Gas	

AR = Use as required - = Non illustrated part # = New this model year

December 1, 2003

Case & Related Parts [DGK - 4WD]
Figure 42RE-220



ITEM	PART NUMBER	QTY	LINE	SERIES	BODY	ENGINE	TRANS	TRIM	DESCRIPTION
29	6501 658AB	1	J				DGK		O RING, Trans Speed Sensor
30	5211 8181	1	J				DGK		CLIP

JEEP GRAND CHEROKEE (WJ)

SERIES	LINE	BODY	ENGINE	TRANSMISSION
H = Laredo	J = 4WD	74 = 4 Door	ERH = 4.0L, Power Tech I-6	DGK = 4 Speed Auto, 42RE
M = Sport	T = 2WD		EVA = 4.7L Power Tech V8	DGQ = 5 Speed Auto, 45RFE
P = Limited			EVC = 4.7L HO V8 MPI	DG0 = All Automatic Trans
S = Overland			ER0 = All 4.0L 6 Cyl Gas	
			EVO = All 4.7L Gas	

AR = Use as required - = Non illustrated part # = New this model year

December 1, 2003

Case & Extension [DGK]
Figure 42RE-230

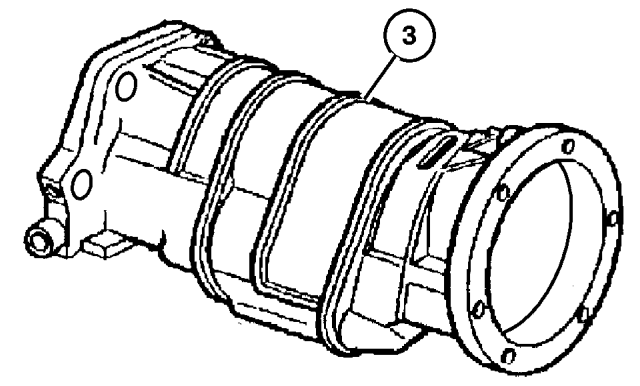
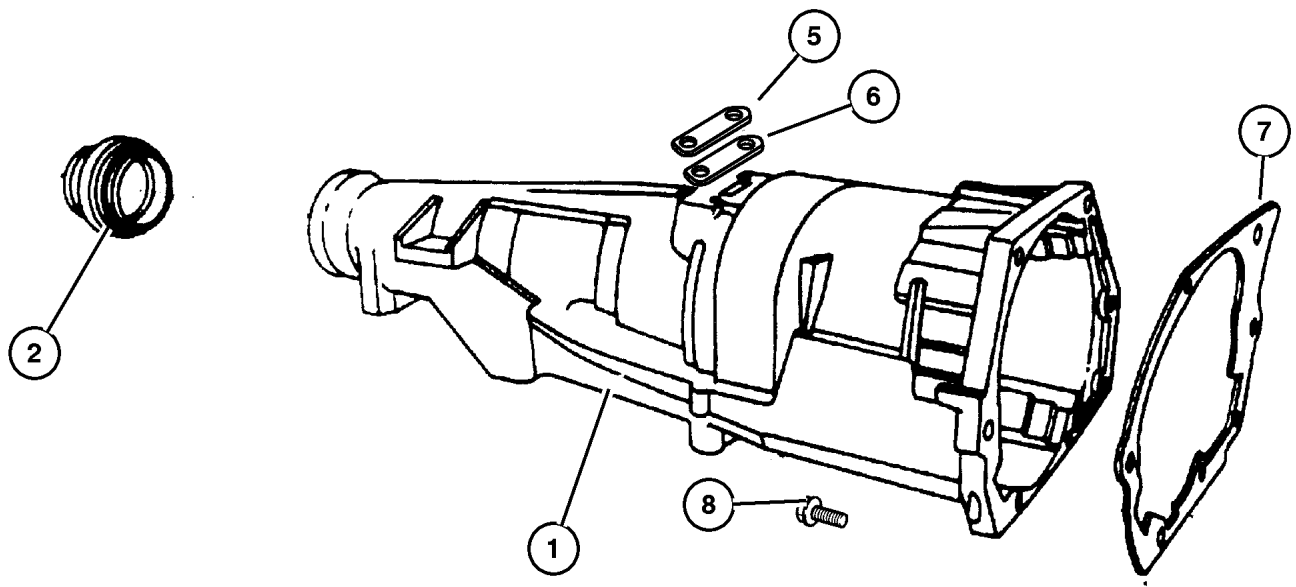
ITEM	PART NUMBER	QTY	LINE	SERIES	BODY	ENGINE	TRANS	TRIM	DESCRIPTION
------	-------------	-----	------	--------	------	--------	-------	------	-------------

NOTE:

Sales Code:

[DGK]=4 Speed Automatic Transmission - [42RE]

1	5003 231AA	1	T				DGK		CASE, Transmission Rear
2	4531 216AB	1	T				DGK		SEAL, Output Shaft
3	5012 428AA	1	J				DGK		ADAPTER, Transfer Case
-4	4269 956AB	1	J				DGK		SEAL, Adapter
5	2466 957	1	J				DGK		COVER, Transmission Converter
		1	T				DGK		
6	2801 398	1	J				DGK		GASKET, Transmission
		1	T				DGK		
7	4471 564	1	J				DGK		GASKET, Overdrive Piston Retainer
		1	T				DGK		
8	6036 046AA	7	J				DGK		SCREW, Hex Flange Head, .375-16x1.38
		7	T				DGK		



JEEP GRAND CHEROKEE (WJ)

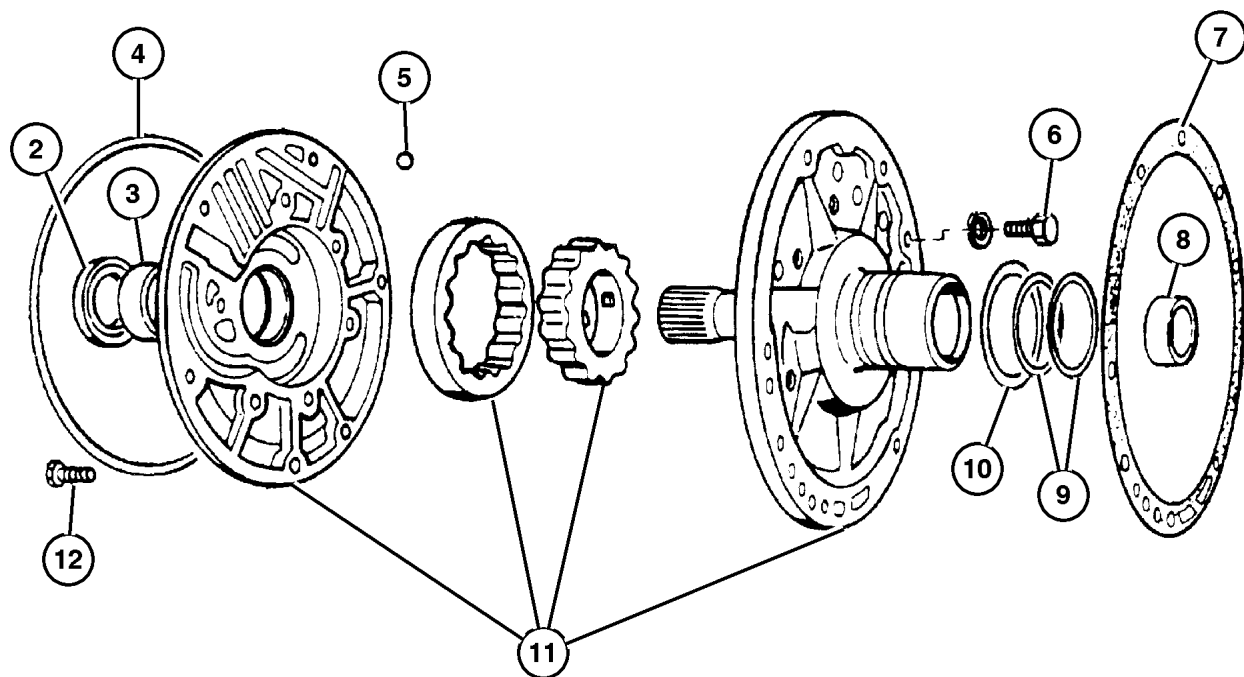
SERIES	LINE	BODY	ENGINE	TRANSMISSION
H = Laredo	J = 4WD	74 = 4 Door	ERH = 4.0L, Power Tech I-6	DGK = 4 Speed Auto, 42RE
M = Sport	T = 2WD		EVA = 4.7L Power Tech V8	DGQ = 5 Speed Auto, 45RFE
P = Limited			EVC = 4.7L HO V8 MPI	DG0 = All Automatic Trans
S = Overland			ER0 = All 4.0L 6 Cyl Gas	
			EVO = All 4.7l Gas	

AR = Use as required - = Non illustrated part # = New this model year

December 1, 2003

Pump, Oil [DGK]
Figure 42RE-310

ITEM	PART NUMBER	QTY	LINE	SERIES	BODY	ENGINE	TRANS	TRIM	DESCRIPTION
NOTE:									
Sales Code:									
[DGK]=4 Speed Automatic Transmission - [42RE]									
									GASKET AND SEAL PACKAGE, Transmission Oil Pump
	4713 108AB	1	J				DGK		
		1	T				DGK		
2	4412 475	1	J				DGK		SEAL, Impeller Hub, 57.25mm OD
		1	T				DGK		
3	2466 796	1	J				DGK		BUSHING, Front Pump
		1	T				DGK		
4	2204 709	1	J				DGK		SEAL, Front Pump Housing
		1	T				DGK		
5	0104 918	1	J				DGK		BALL, Valve Body Check
		1	T				DGK		
6	0179 815	6	J				DGK		SCREW, Hex Head, .312-18x.687
		6	T				DGK		
7	5211 8266	1	J				DGK		GASKET, Transmission Oil Pump
		1	T				DGK		
8	4058 635	1	J				DGK		BUSHING, Reaction Shaft
		1	T				DGK		
9									SEAL, Ring Reaction Support, 2 1/16 O.D.
	4471 874	2	J				DGK		
		2	T				DGK		
10	4617 786	1	J				DGK		THRUST WASHER, Front Clutch
		1	T				DGK		
11	4778 552AB	1	J				DGK		PUMP, Transmission Oil
		1	T				DGK		
12									SCREW AND WASHER, Hex Flange Head, .312-18x1.375
	6023 943	6	J				DGK		



JEEP GRAND CHEROKEE (WJ)

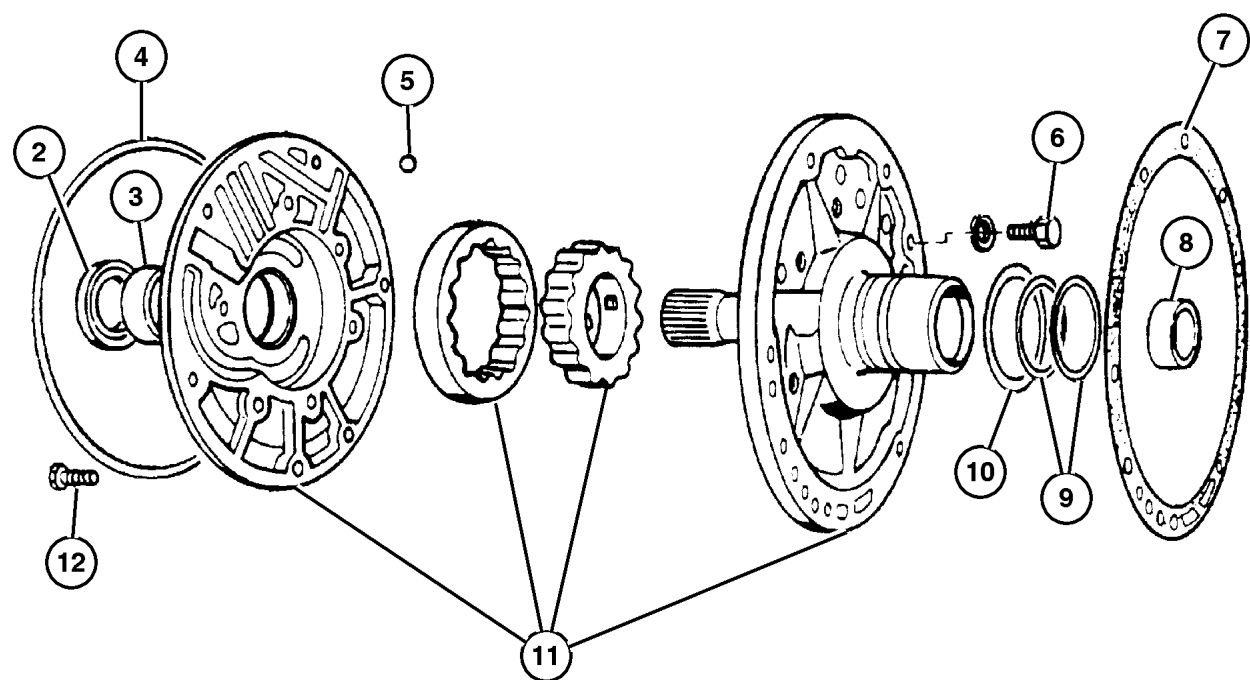
SERIES	LINE	BODY	ENGINE	TRANSMISSION
H = Laredo	J = 4WD	74 = 4 Door	ERH = 4.0L, Power Tech I-6	DGK = 4 Speed Auto, 42RE
M = Sport	T = 2WD		EVA = 4.7L Power Tech V8	DGQ = 5 Speed Auto, 45RFE
P = Limited			EVC = 4.7L HO V8 MPI	DG0 = All Automatic Trans
S = Overland			ER0 = All 4.0L 6 Cyl Gas	
			EVO = All 4.7L Gas	

AR = Use as required - = Non illustrated part # = New this model year

December 1, 2003

Pump, Oil [DGK]
Figure 42RE-310

ITEM	PART NUMBER	QTY	LINE	SERIES	BODY	ENGINE	TRANS	TRIM	DESCRIPTION
		6	T				DGK		

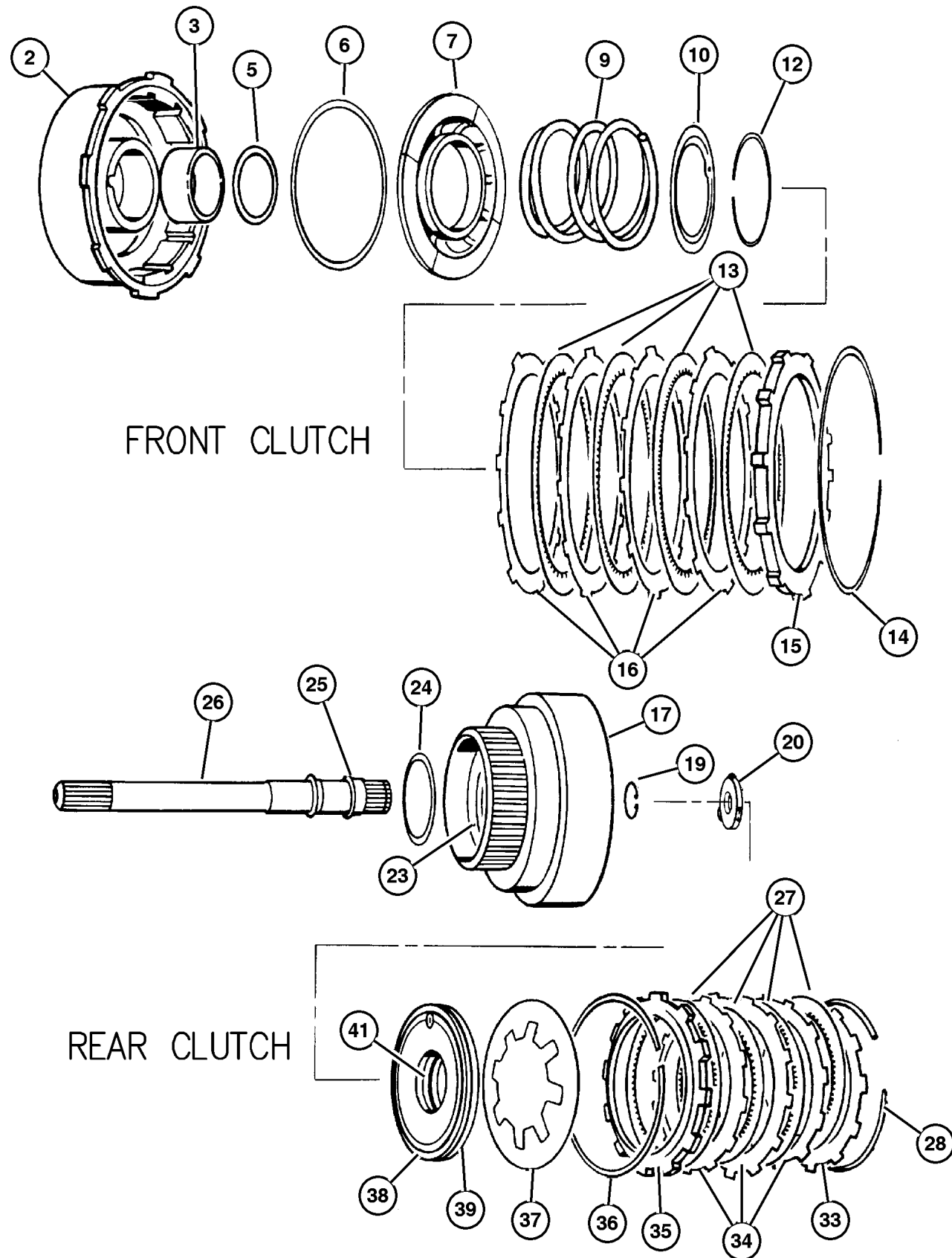


JEEP GRAND CHEROKEE (WJ)				
SERIES	LINE	BODY	ENGINE	TRANSMISSION
H = Laredo	J = 4WD	74 = 4 Door	ERH = 4.0L, Power Tech I-6	DGK = 4 Speed Auto, 42RE
M = Sport	T = 2WD		EVA = 4.7L Power Tech V8	DGQ = 5 Speed Auto, 45RFE
P = Limited			EVC = 4.7L HO V8 MPI	DG0 = All Automatic Trans
S = Overland			ER0 = All 4.0L 6 Cyl Gas	
			EVO = All 4.7l Gas	

AR = Use as required - = Non illustrated part # = New this model year

December 1, 2003

**Clutch, Front & Rear [DGK]
Figure 42RE-410**



ITEM	PART NUMBER	QTY	LINE	SERIES	BODY	ENGINE	TRANS	TRIM	DESCRIPTION
NOTE: Sales Code: [DGK]=4 Speed Automatic Transmission - [42RE]									
-1									SEAL PACKAGE, Transmission Clutch
	5252 926AB	1	J				DGK		
		1	T				DGK		
2									RETAINER AND BUSHING, Transmission Front Clutch
	4531 285AB	1	J				DGK		
		1	T				DGK		
3									BUSHING, Front Clutch
	4617 157	1	J				DGK		
		1	T				DGK		
-4									BUSHING, Rear Clutch
	4617 159	1	J				DGK		
		1	T				DGK		
5									SEAL, Front Clutch Piston
	52852 923AA	1	J				DGK		
		1	T				DGK		
6									SEAL, Front Piston Clutch
	52852 925AA	1	J				DGK		
		1	T				DGK		
7									PISTON, Clutch
	4617 154AB	1	J				DGK		
		1	T				DGK		
-8									CHECK BALL, Dia-.187
	0147 483	1	J				DGK		
		1	T				DGK		
9									SPRING, Front Clutch
	3515 054	1	J				DGK		
		1	T				DGK		
10									RETAINER, Transmission Front Clutch Piston Spring
	4617 516AC	1	J				DGK		
		1	T				DGK		
-11									CHECK BALL, Dia-.187
	0147 483	1	J				DGK		
		1	T				DGK		
12									SNAP RING
	1942 400	1	J				DGK		

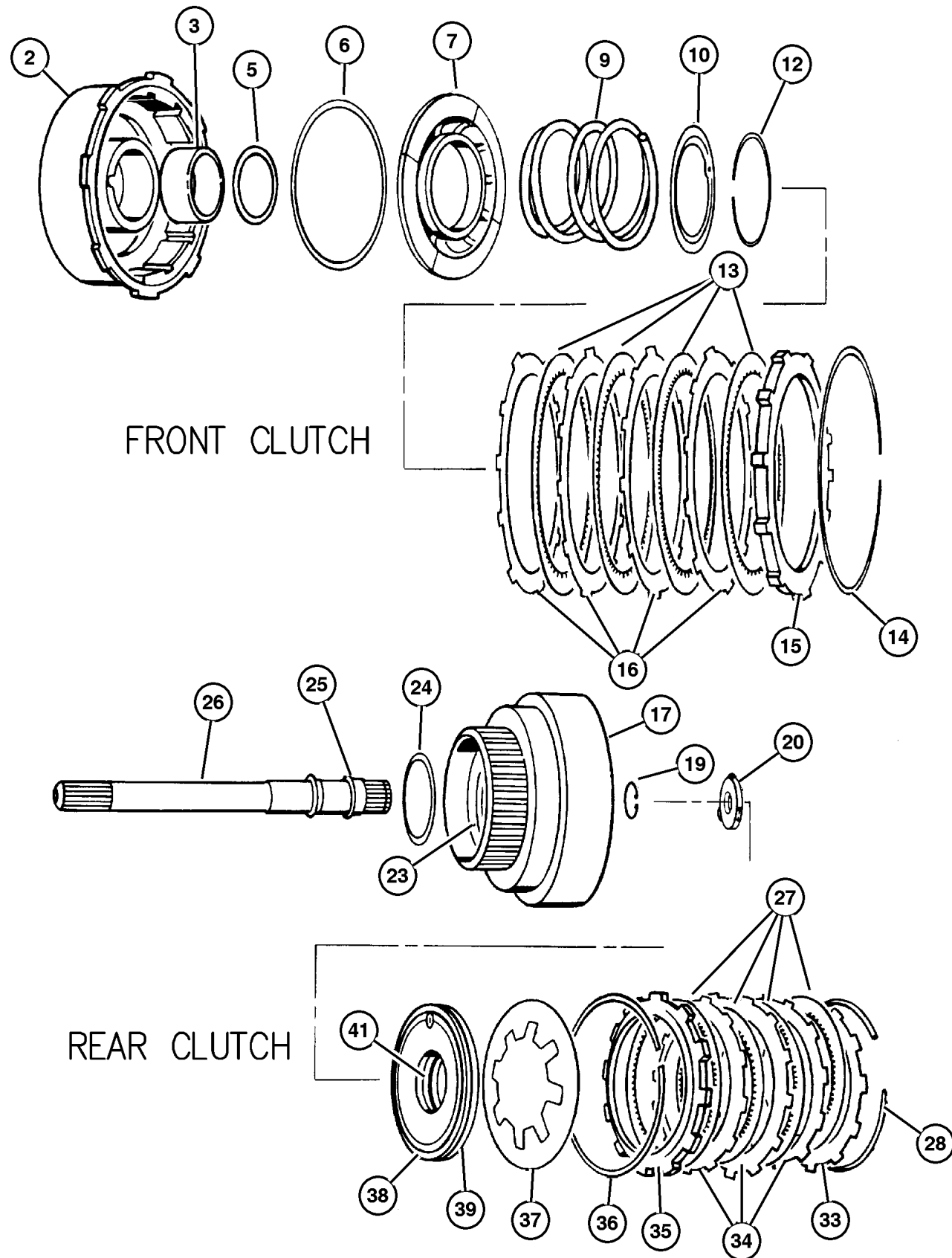
JEEP GRAND CHEROKEE (WJ)

SERIES	LINE	BODY	ENGINE	TRANSMISSION
H = Laredo	J = 4WD	74 = 4 Door	ERH = 4.0L, Power Tech I-6	DGK = 4 Speed Auto, 42RE
M = Sport	T = 2WD		EVA = 4.7L Power Tech V8	DGQ = 5 Speed Auto, 45RFE
P = Limited			EVC = 4.7L HO V8 MPI	DG0 = All Automatic Trans
S = Overland			ER0 = All 4.0L 6 Cyl Gas	
			EVO = All 4.7L Gas	

AR = Use as required - = Non illustrated part # = New this model year

December 1, 2003

Clutch, Front & Rear [DGK]
Figure 42RE-410



ITEM	PART NUMBER	QTY	LINE	SERIES	BODY	ENGINE	TRANS	TRIM	DESCRIPTION
		1	T				DGK		
13	4617 362	4	J				DGK		DISC, Direct Clutch
		4	T				DGK		
14	3410 571	1	J				DGK		SNAP RING
		1	T				DGK		
15									PLATE, Transmission Clutch Reaction
	4617 176AB	1	J				DGK		
		1	T				DGK		
16	1942 403AC	4	J				DGK		PLATE, Clutch Separator
		4	T				DGK		
17									RETAINER, Transmission Rear Clutch
	2464 463	1	J				DGK		
		1	T				DGK		
-18	0147 483	1	J				DGK		CHECK BALL, Dia-.187
		1	T				DGK		
19	6022 859	1	J				DGK		SNAP RING, .890625
		1	T				DGK		
20									THRUST WASHER, Output Shaft, Gray .052
	4505 185	1	J				DGK		
		1	T				DGK		
-21									THRUST WASHER, Output Shaft, Red .068
	4505 186	1	J				DGK		
		1	T				DGK		
-22									THRUST WASHER, Output Shaft, Green .083
	4505 187	1	J				DGK		
		1	T				DGK		
23									SEAL, Rear Clutch, 1.50 ODx.009 Thk
	4028 333	1	J				DGK		
		1	T				DGK		
24									THRUST WASHER, Front Clutch

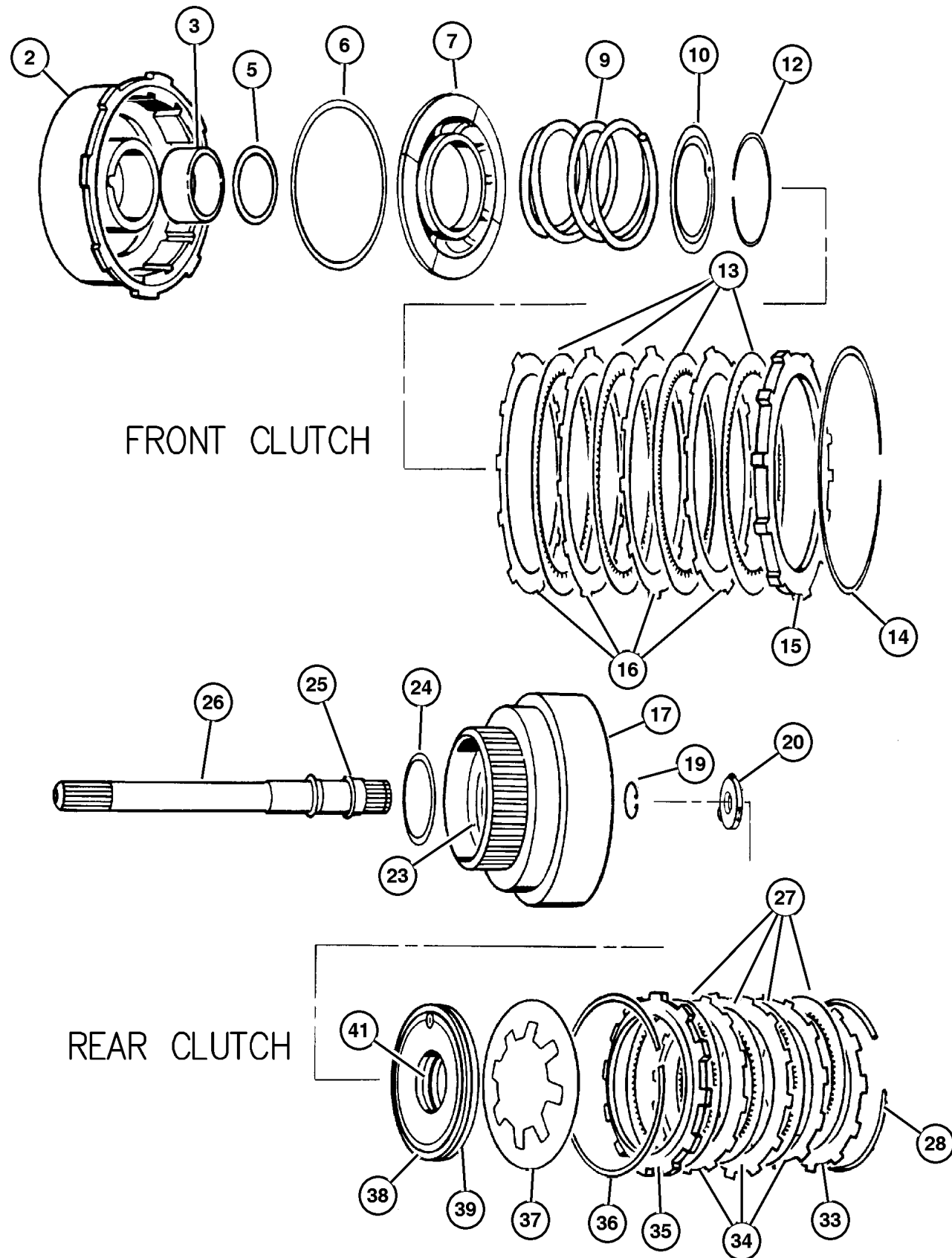
JEEP GRAND CHEROKEE (WJ)

SERIES	LINE	BODY	ENGINE	TRANSMISSION
H = Laredo	J = 4WD	74 = 4 Door	ERH = 4.0L, Power Tech I-6	DGK = 4 Speed Auto, 42RE
M = Sport	T = 2WD		EVA = 4.7L Power Tech V8	DGQ = 5 Speed Auto, 45RFE
P = Limited			EVC = 4.7L HO V8 MPI	DG0 = All Automatic Trans
S = Overland			ER0 = All 4.0L 6 Cyl Gas	
			EVO = All 4.7L Gas	

AR = Use as required - = Non illustrated part # = New this model year

December 1, 2003

Clutch, Front & Rear [DGK]
Figure 42RE-410



ITEM	PART NUMBER	QTY	LINE	SERIES	BODY	ENGINE	TRANS	TRIM	DESCRIPTION
	4617 786	1	J				DGK		
		1	T				DGK		
25	1401 221AB	1	J				DGK		SEAL, Input Shaft
		1	T				DGK		
26	4505 189	1	J				DGK		INPUT SHAFT, Transmission
		1	T				DGK		
27	4713 880	4	J				DGK		DISC, Clutch
		4	T				DGK		
28	4130 761	1	J				DGK		SNAP RING
		1	T				DGK		
-29	4539 121	1	J				DGK		SNAP RING, Rear Clutch, .076
		1	T				DGK		
-30	4539 123	1	J				DGK		SNAP RING, Rear Clutch, .095
		1	T				DGK		
-31	4539 122	1	J				DGK		SNAP RING, Rear Clutch, .098
		1	T				DGK		
-32	4539 124	1	J				DGK		SNAP RING, Rear Clutch, .107
		1	T				DGK		
33									PLATE, Transmission Clutch Reaction
	4617 176AB	1	J				DGK		
		1	T				DGK		
34	1942 403AB	3	J				DGK		PLATE, Clutch Separator
		3	T				DGK		
35	2466 281	1	J				DGK		PLATE, Clutch Pressure
		1	T				DGK		
36	2466 283	1	J				DGK		SPRING, Rear Clutch
		1	T				DGK		
37	4728 487	1	J				DGK		SPRING, Rear Clutch Piston

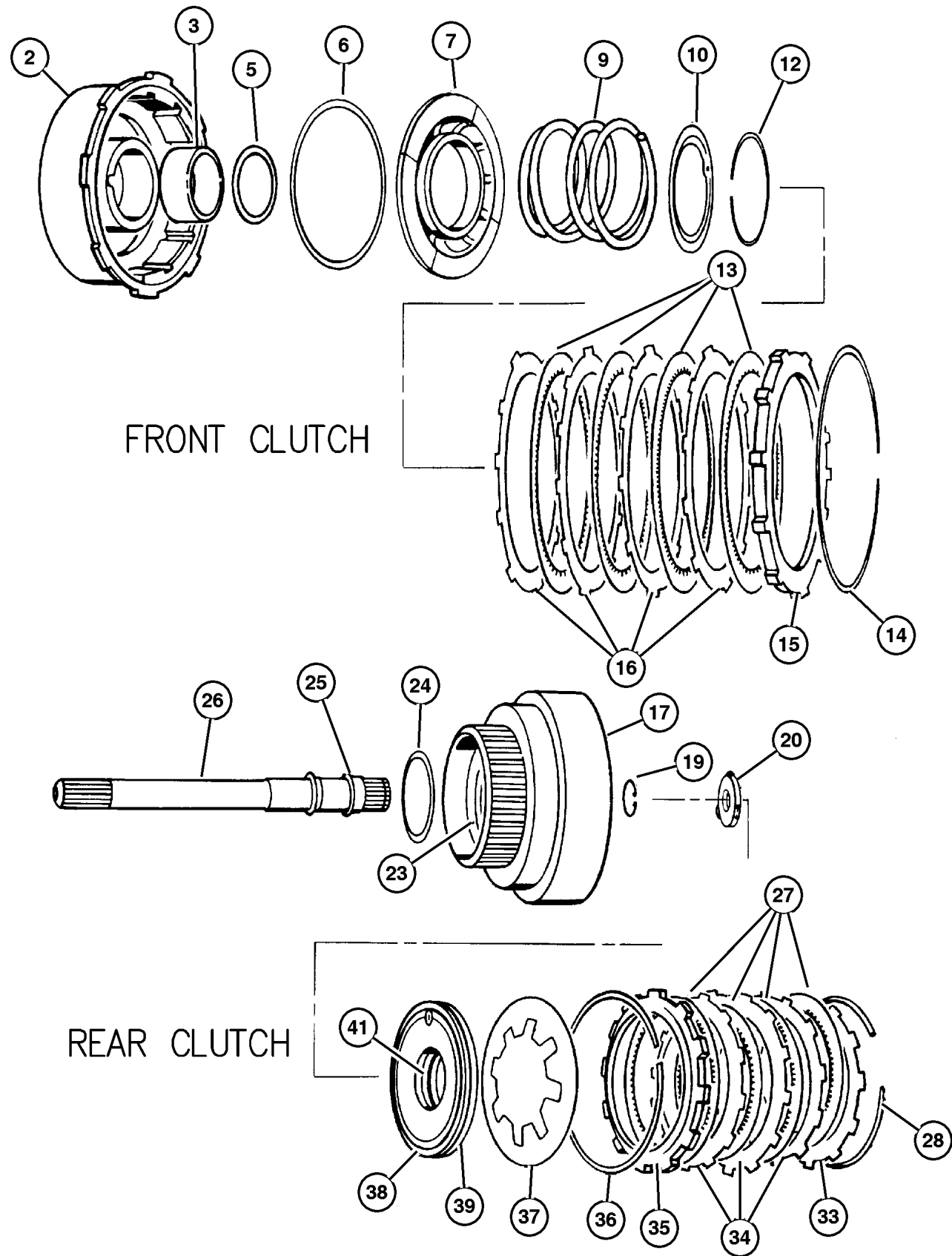
JEEP GRAND CHEROKEE (WJ)

SERIES	LINE	BODY	ENGINE	TRANSMISSION
H = Laredo	J = 4WD	74 = 4 Door	ERH = 4.0L, Power Tech I-6	DGK = 4 Speed Auto, 42RE
M = Sport	T = 2WD		EVA = 4.7L Power Tech V8	DGQ = 5 Speed Auto, 45RFE
P = Limited			EVC = 4.7L HO V8 MPI	DG0 = All Automatic Trans
S = Overland			ER0 = All 4.0L 6 Cyl Gas	
			EVO = All 4.7L Gas	

AR = Use as required - = Non illustrated part # = New this model year

December 1, 2003

Clutch, Front & Rear [DGK]
Figure 42RE-410



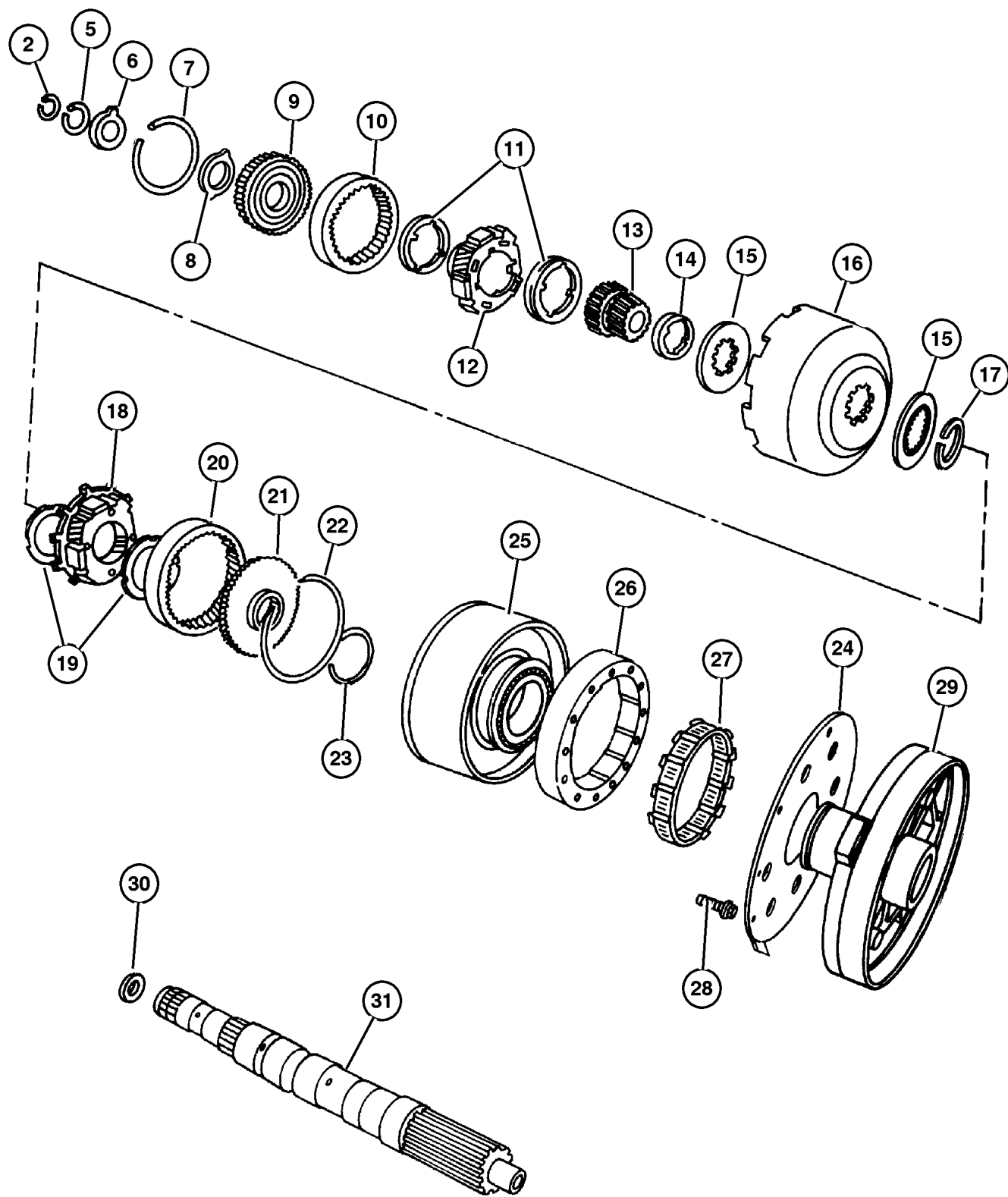
ITEM	PART NUMBER	QTY	LINE	SERIES	BODY	ENGINE	TRANS	TRIM	DESCRIPTION
		1	T				DGK		
38	2538 695	1	J				DGK		SEAL, Rear Clutch Piston
		1	T				DGK		
39	3515 716	1	J				DGK		PISTON, Clutch
		1	T				DGK		
-40	4617 405AD	1	J				DGK		CLUTCH, Front
		1	T				DGK		
41	2538 510	1	J				DGK		SEAL, Rear Clutch Piston
		1	T				DGK		

JEEP GRAND CHEROKEE (WJ)
 SERIES LINE BODY ENGINE TRANSMISSION
 H = Laredo J = 4WD 74 = 4 Door ERH = 4.0L, Power Tech I-6 DGK = 4 Speed Auto, 42RE
 M = Sport T = 2WD EVA = 4.7L Power Tech V8 DGQ = 5 Speed Auto, 45RFE
 P = Limited EVC = 4.7L HO V8 MPI DG0 = All Automatic Trans
 S = Overland ER0 = All 4.0L 6 Cyl Gas
 EV0 = All 4.7L Gas

AR = Use as required - = Non illustrated part # = New this model year

December 1, 2003

**Gear Train & Intermediate Shaft [DGK]
Figure 42RE-420**



ITEM	PART NUMBER	QTY	LINE	SERIES	BODY	ENGINE	TRANS	TRIM	DESCRIPTION
NOTE: Sales Code: [DGK]=4 Speed Automatic Transmission - [42RE]									
-1									SNAP RING PACKAGE, Transmission
	5014 226AA	1	J				DGK		
		1	T				DGK		
2	6026 289	1	J				DGK		SNAP RING, .946 ID
		1	T				DGK		
-3									SNAP RING
	6030 938	1	J				DGK		
		1	T				DGK		
-4									SNAP RING, Output Shaft, 1.029 OD
	6030 404	1	J				DGK		
		1	T				DGK		
5									SNAP RING, Annulus Gear, 1.375 ID
	6030 576	1	J				DGK		
		1	T				DGK		
6									THRUST WASHER, Annulus Gear
	3681 969	1	J				DGK		
		1	T				DGK		
7									SNAP RING
	6030 938	1	J				DGK		
		1	T				DGK		
8									PLATE, Annulus Gear Thrust
	4617 775	1	J				DGK		
		1	T				DGK		
9									SUPPORT, Annulus Gear
	4617 774	1	J				DGK		Front
		1	T				DGK		Front
10									GEAR, Front Annulus
	4130 512	1	J				DGK		
		1	T				DGK		
11									THRUST WASHER, Planetary Carrier
	4130 518	2	J				DGK		
		2	T				DGK		
12									CARRIER, Planetary Pinion
	4130 514	1	J				DGK		
		1	T				DGK		
13									GEAR, Sun

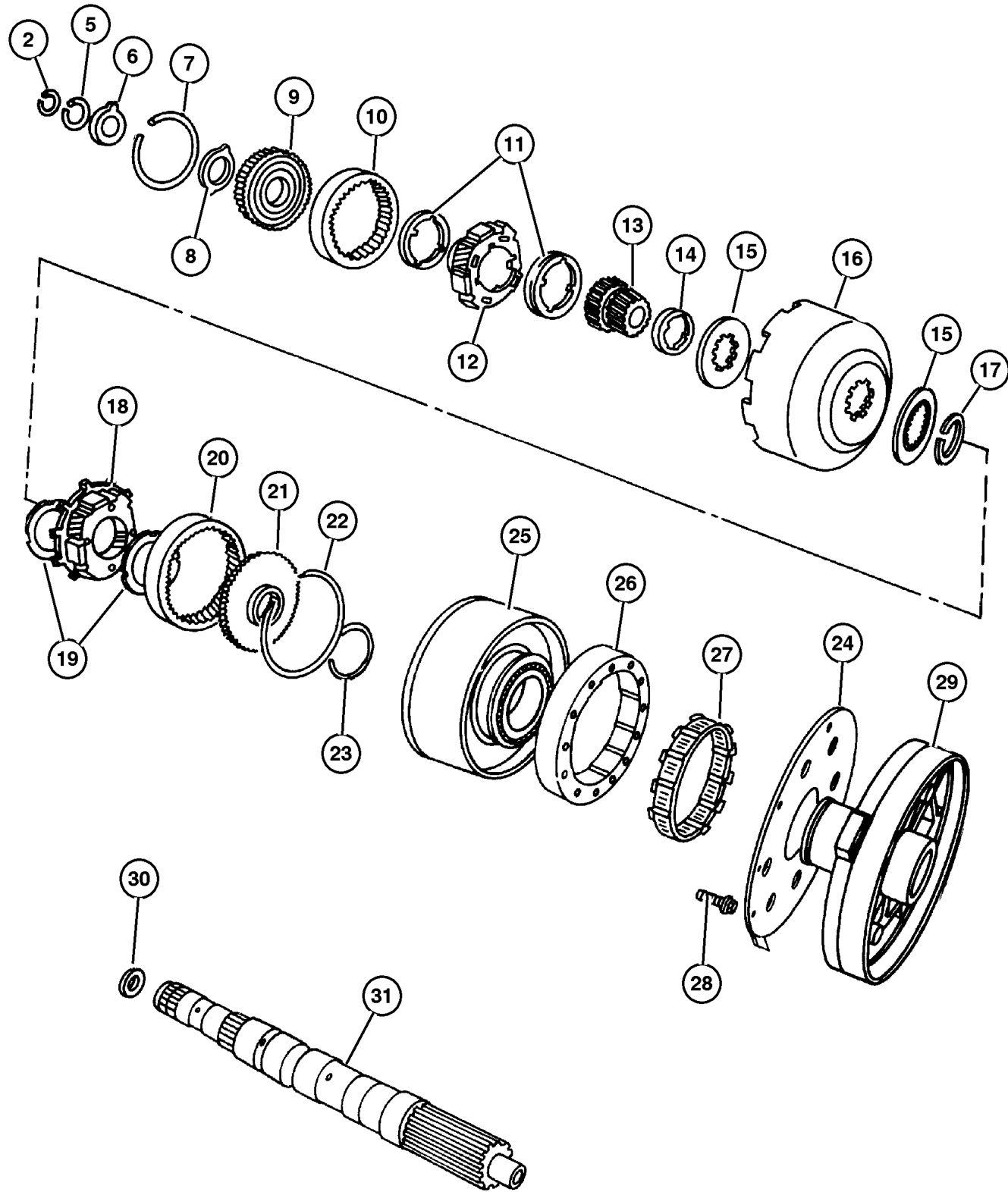
JEEP GRAND CHEROKEE (WJ)

SERIES	LINE	BODY	ENGINE	TRANSMISSION
H = Laredo	J = 4WD	74 = 4 Door	ERH = 4.0L, Power Tech I-6	DGK = 4 Speed Auto, 42RE
M = Sport	T = 2WD		EVA = 4.7L Power Tech V8	DGQ = 5 Speed Auto, 45RFE
P = Limited			EVC = 4.7L HO V8 MPI	DG0 = All Automatic Trans
S = Overland			ER0 = All 4.0L 6 Cyl Gas	
			EVO = All 4.7L Gas	

AR = Use as required - = Non illustrated part # = New this model year

December 1, 2003

**Gear Train & Intermediate Shaft [DGK]
Figure 42RE-420**



ITEM	PART NUMBER	QTY	LINE	SERIES	BODY	ENGINE	TRANS	TRIM	DESCRIPTION
	4130 685	1	J				DGK		
		1	T				DGK		
14	4130 736	1	J				DGK		SPACER, Sun Gear
		1	T				DGK		
15	4471 566	2	J				DGK		PLATE, Transmission Module
		2	T				DGK		
16	4531 288	1	J				DGK		SHELL, Sun Gear
		1	T				DGK		
17	1942 439	1	J				DGK		SNAP RING, Sun Gear Shell
		1	T				DGK		
18	4431 438	1	J				DGK		CARRIER, Planetary Pinion
		1	T				DGK		
19	3681 935	1	J				DGK		THRUST WASHER, Planetary Carrier
		1	T				DGK		
20	3743 184	1	J				DGK		GEAR, Rear Annulus
		1	T				DGK		
21	3515 501	1	J				DGK		SUPPORT, Annulus Gear
		1	T				DGK		Rear
22	1942 444	1	J				DGK		Rear
		1	T				DGK		SNAP RING
23	6033 480	1	J				DGK		SNAP RING, Reverse Drum
		1	T				DGK		
24	4471 564	1	J				DGK		GASKET, Overdrive Piston Retainer
		1	T				DGK		
25	4637 956	1	J				DGK		DRUM PACKAGE, Transmission
		1	T				DGK		
26	4431 690	1	J				DGK		CAM, Overrunning Clutch

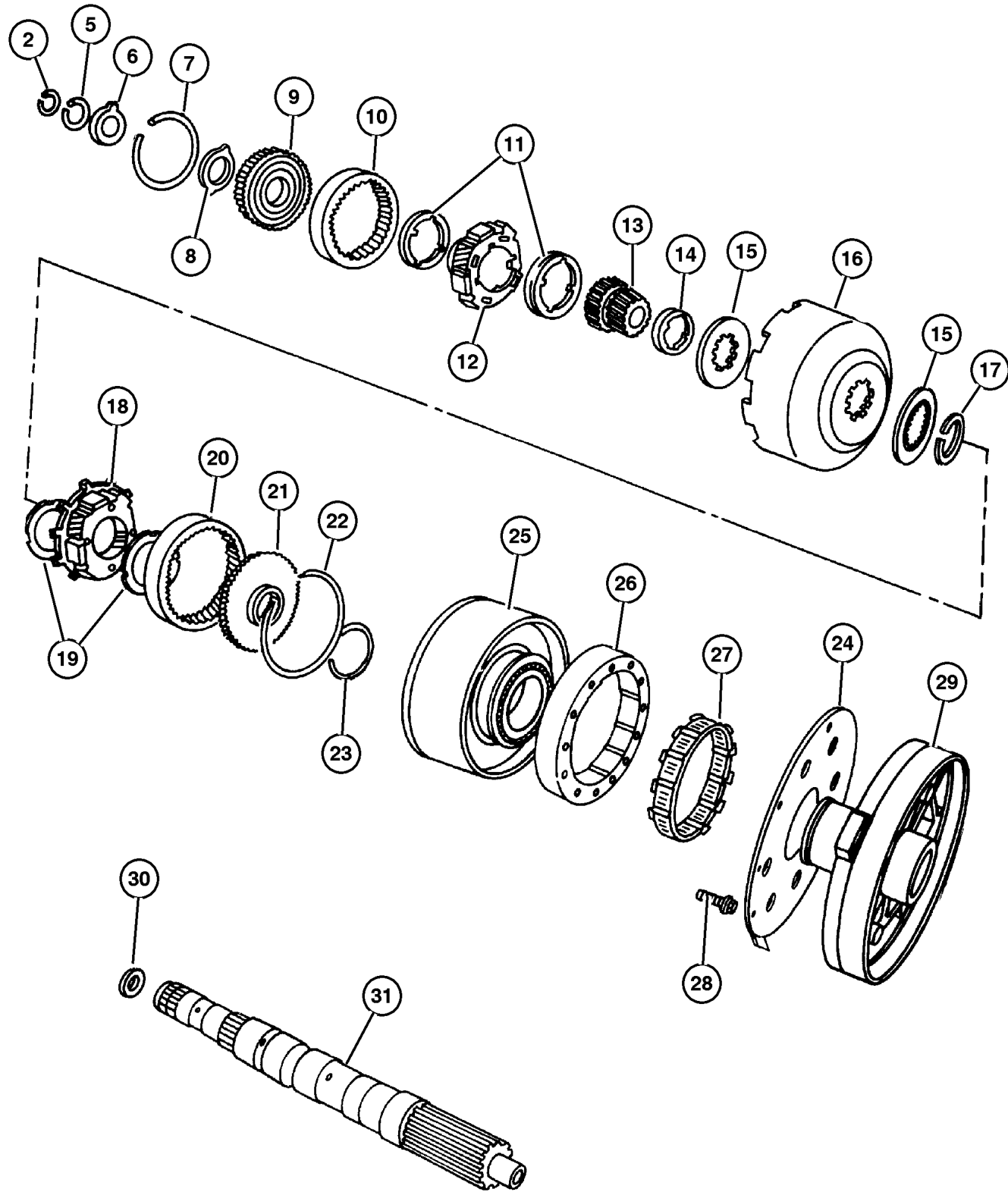
JEEP GRAND CHEROKEE (WJ)

SERIES	LINE	BODY	ENGINE	TRANSMISSION
H = Laredo	J = 4WD	74 = 4 Door	ERH = 4.0L, Power Tech I-6	DGK = 4 Speed Auto, 42RE
M = Sport	T = 2WD		EVA = 4.7L Power Tech V8	DGQ = 5 Speed Auto, 45RFE
P = Limited			EVC = 4.7L HO V8 MPI	DG0 = All Automatic Trans
S = Overland			ER0 = All 4.0L 6 Cyl Gas	
			EVO = All 4.7L Gas	

AR = Use as required - = Non illustrated part # = New this model year

December 1, 2003

**Gear Train & Intermediate Shaft [DGK]
Figure 42RE-420**



ITEM	PART NUMBER	QTY	LINE	SERIES	BODY	ENGINE	TRANS	TRIM	DESCRIPTION
		1	T				DGK		
27	4431 432	1	J				DGK		CLUTCH, Overrunning
		1	T				DGK		
28									SCREW, Hex Flange Head, .25-28x.875
	6033 616	5	J				DGK		
		5	T				DGK		
29									RETAINER, Transmission Overdrive Clutch Piston
	4617 246	1	J				DGK		
		1	T				DGK		
30									PLATE, Transmission Module
	4505 188	1	J				DGK		
		1	T				DGK		
31									INTERMEDIATE SHAFT, Transmission
	4617 604	1	J				DGK		
		1	T				DGK		

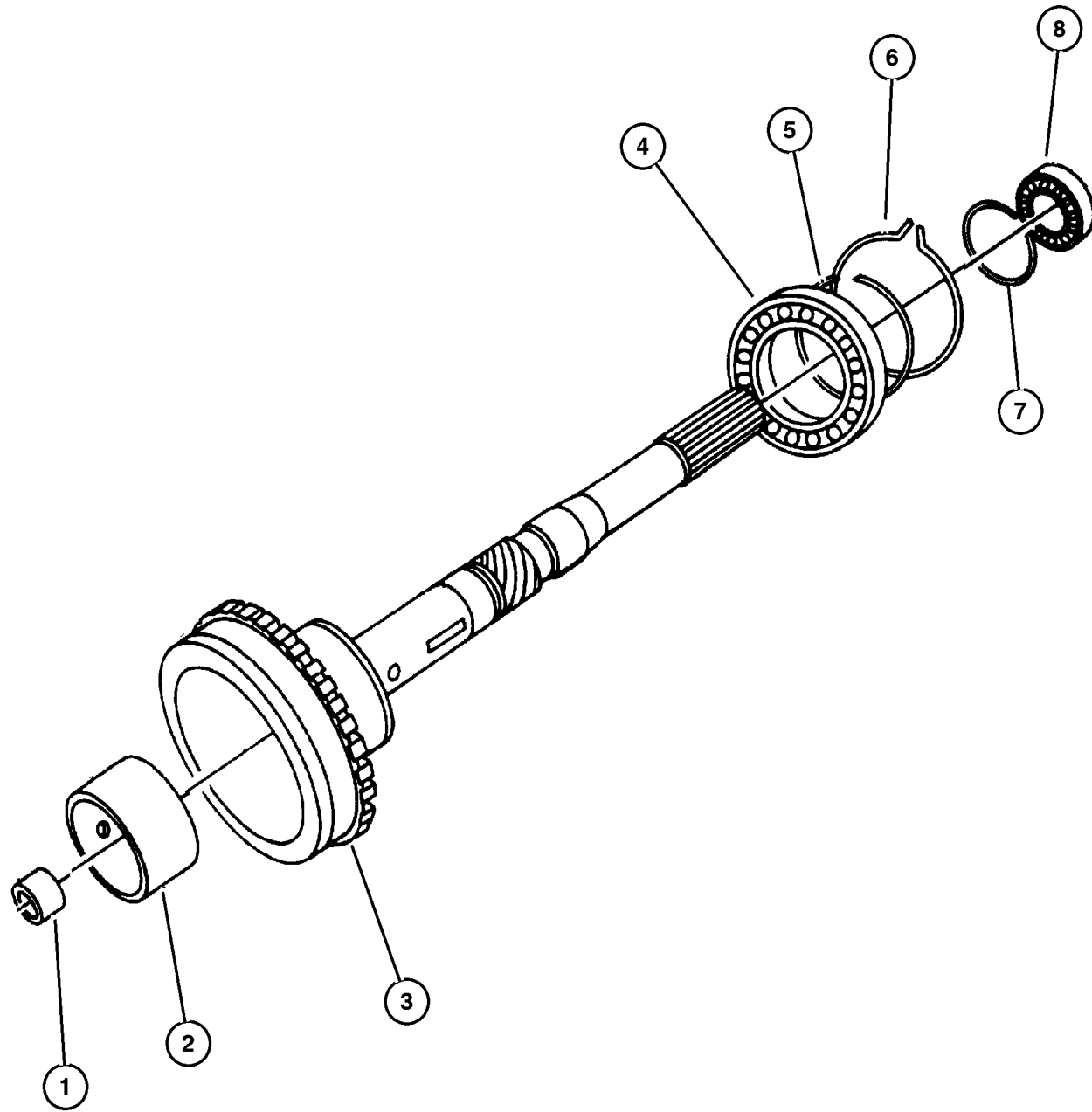
JEEP GRAND CHEROKEE (WJ)

SERIES	LINE	BODY	ENGINE	TRANSMISSION
H = Laredo	J = 4WD	74 = 4 Door	ERH = 4.0L, Power Tech I-6	DGK = 4 Speed Auto, 42RE
M = Sport	T = 2WD		EVA = 4.7L Power Tech V8	DGQ = 5 Speed Auto, 45RFE
P = Limited			EVC = 4.7L HO V8 MPI	DG0 = All Automatic Trans
S = Overland			ER0 = All 4.0L 6 Cyl Gas	
			EVO = All 4.7L Gas	

AR = Use as required - = Non illustrated part # = New this model year December 1, 2003

Output Shaft [DGK]
Figure 42RE-430

ITEM	PART NUMBER	QTY	LINE	SERIES	BODY	ENGINE	TRANS	TRIM	DESCRIPTION
NOTE:									
Sales Code:									
[DGK]=4 Speed Automatic Transmission - [42RE]									
1									BUSHING, (NOT SERVICED) (Not Serviced)
2									BUSHING, (NOT SERVICED) (Not Serviced)
3							DGK		SHAFT, Output
	4798 536	1	J				DGK		
	5003 232AA	1	T				DGK		
4									BEARING, Output Shaft
	4461 008	1	J				DGK		
		1	T				DGK		
5									SNAP RING, .946 ID
	6026 289	1	J				DGK		
		1	T				DGK		
6									SNAP RING, Output Shaft, 1.029 OD
	6030 404	1	J				DGK		
		1	T				DGK		
7									SNAP RING
	6030 938	1	J				DGK		
		1	T				DGK		
8									BEARING, Output Shaft
	4461 008	1	J				DGK		
		1	T				DGK		



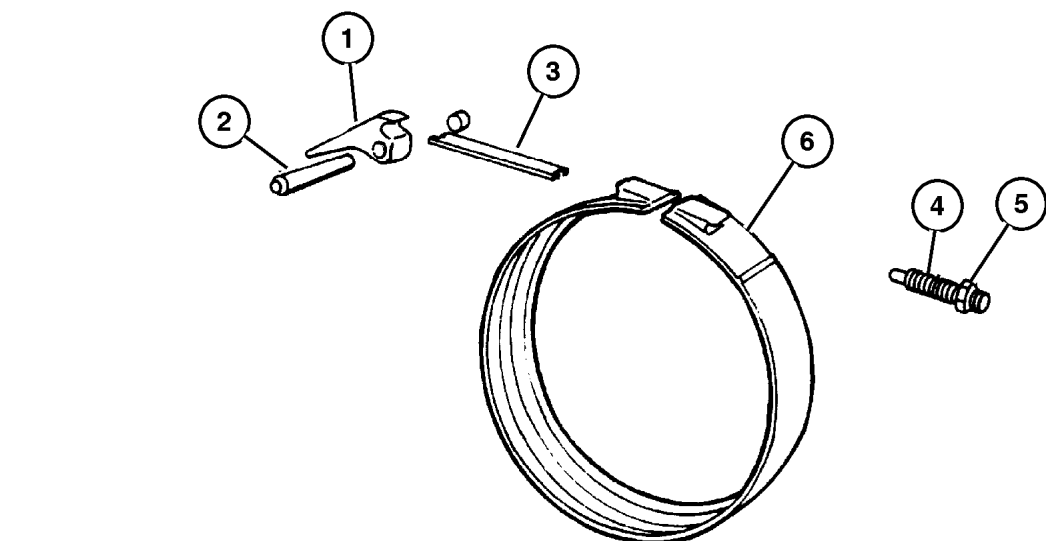
JEEP GRAND CHEROKEE (WJ)

SERIES	LINE	BODY	ENGINE	TRANSMISSION
H = Laredo	J = 4WD	74 = 4 Door	ERH = 4.0L, Power Tech I-6	DGK = 4 Speed Auto, 42RE
M = Sport	T = 2WD		EVA = 4.7L Power Tech V8	DGQ = 5 Speed Auto, 45RFE
P = Limited			EVC = 4.7L HO V8 MPI	DG0 = All Automatic Trans
S = Overland			ER0 = All 4.0L 6 Cyl Gas	
			EVO = All 4.7l Gas	

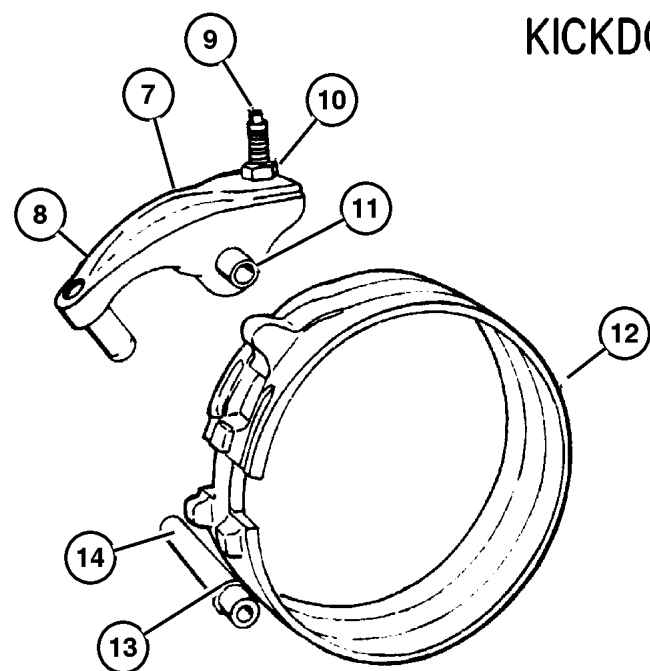
AR = Use as required - = Non illustrated part # = New this model year

December 1, 2003

**Bands [DGK]
Figure 42RE-510**



KICKDOWN BAND



DOUBLE WRAP REVERSE BAND

ITEM	PART NUMBER	QTY	LINE	SERIES	BODY	ENGINE	TRANS	TRIM	DESCRIPTION
NOTE: Sales Code: [DGK]=4 Speed Automatic Transmission - [42RE]									
1	5211 8264	1	J				DGK		LEVER, Kickdown
		1	T				DGK		
2	4531 181	1	J				DGK		SHAFT, Band Lever
		1	T				DGK		
3	3515 084	1	J				DGK		STRUT, Kickdown Band
		1	T				DGK		
4	6036 141AA	1	J				DGK		SCREW
		1	T				DGK		
5	0124 934	1	J				DGK		NUT, Hex Jam, .50-20
		1	T				DGK		
6	4617 849AB	1	J				DGK		BAND, Kickdown
		1	T				DGK		
7	4202 764AB	1	J				DGK		LEVER, Reverse Band
		1	T				DGK		
8	4202 765	1	J				DGK		LEVER, Reverse Band
		1	T				DGK		
9	2538 472	1	J				DGK		SCREW, Trans Reverse Band Adjusting, .375-24-1.88
		1	T				DGK		
10	0114 942	1	J				DGK		NUT, Hex, .375-24
		1	T				DGK		
11	3410 102	1	J				DGK		SHAFT, Reverse Band
		1	T				DGK		
12	4431 406	1	J				DGK		BAND, Reverse
		1	T				DGK		
13									O RING, Steering Gear

JEEP GRAND CHEROKEE (WJ)

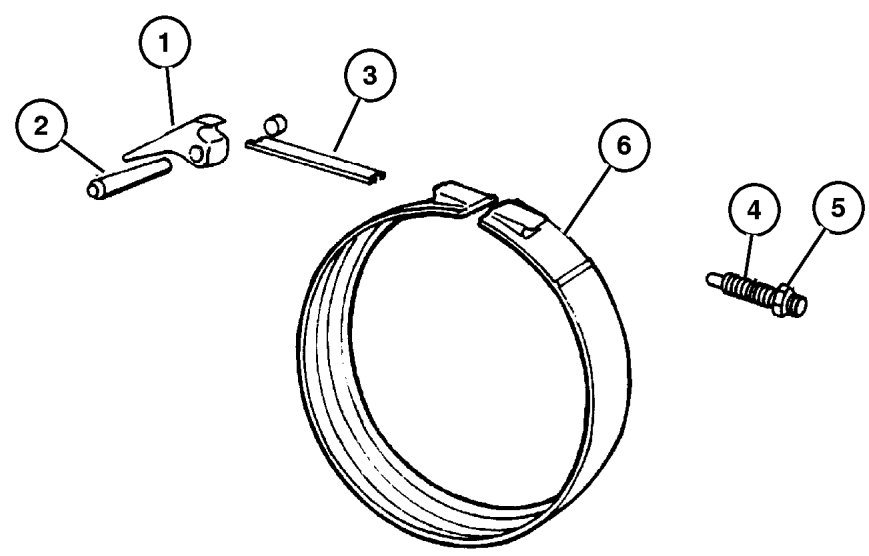
SERIES	LINE	BODY	ENGINE	TRANSMISSION
H = Laredo	J = 4WD	74 = 4 Door	ERH = 4.0L, Power Tech I-6	DGK = 4 Speed Auto, 42RE
M = Sport	T = 2WD		EVA = 4.7L Power Tech V8	DGQ = 5 Speed Auto, 45RFE
P = Limited			EVC = 4.7L HO V8 MPI	DG0 = All Automatic Trans
S = Overland			ER0 = All 4.0L 6 Cyl Gas	
			EVO = All 4.7L Gas	

AR = Use as required - = Non illustrated part # = New this model year

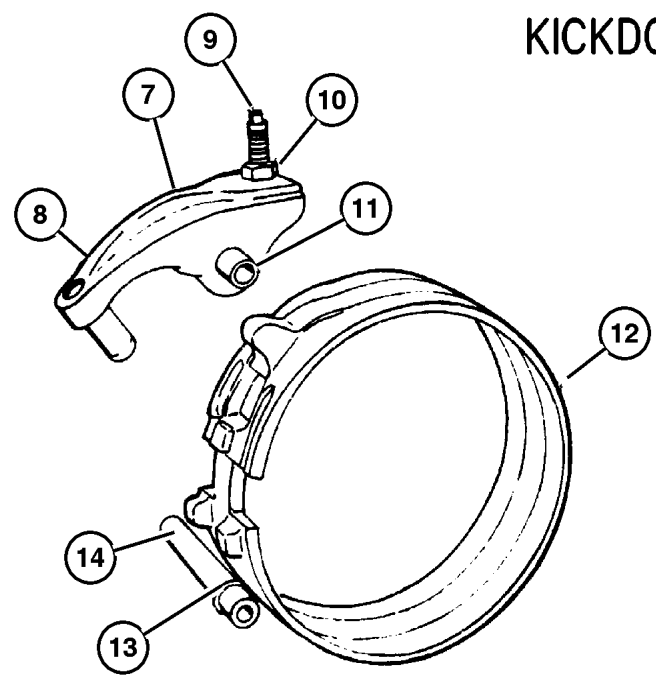
December 1, 2003

**Bands [DGK]
Figure 42RE-510**

ITEM	PART NUMBER	QTY	LINE	SERIES	BODY	ENGINE	TRANS	TRIM	DESCRIPTION
	6030 657	1	J				DGK		
		1	T				DGK		
14									SHAFT, Reverse Band
	3410 102	1	J				DGK		
		1	T				DGK		



KICKDOWN BAND



DOUBLE WRAP REVERSE BAND

JEEP GRAND CHEROKEE (WJ)				
SERIES	LINE	BODY	ENGINE	TRANSMISSION
H = Laredo	J = 4WD	74 = 4 Door	ERH = 4.0L, Power Tech I-6	DGK = 4 Speed Auto, 42RE
M = Sport	T = 2WD		EVA = 4.7L Power Tech V8	DGQ = 5 Speed Auto, 45RFE
P = Limited			EVC = 4.7L HO V8 MPI	DG0 = All Automatic Trans
S = Overland			ER0 = All 4.0L 6 Cyl Gas	
			EVO = All 4.7l Gas	

AR = Use as required - = Non illustrated part # = New this model year

December 1, 2003

Valve Body [DGK]
Figure 42RE-710

ITEM	PART NUMBER	QTY	LINE	SERIES	BODY	ENGINE	TRANS	TRIM	DESCRIPTION
------	-------------	-----	------	--------	------	--------	-------	------	-------------

NOTE:

Sales Code:

[DGK]=4 Speed Automatic Transmission - [42RE]

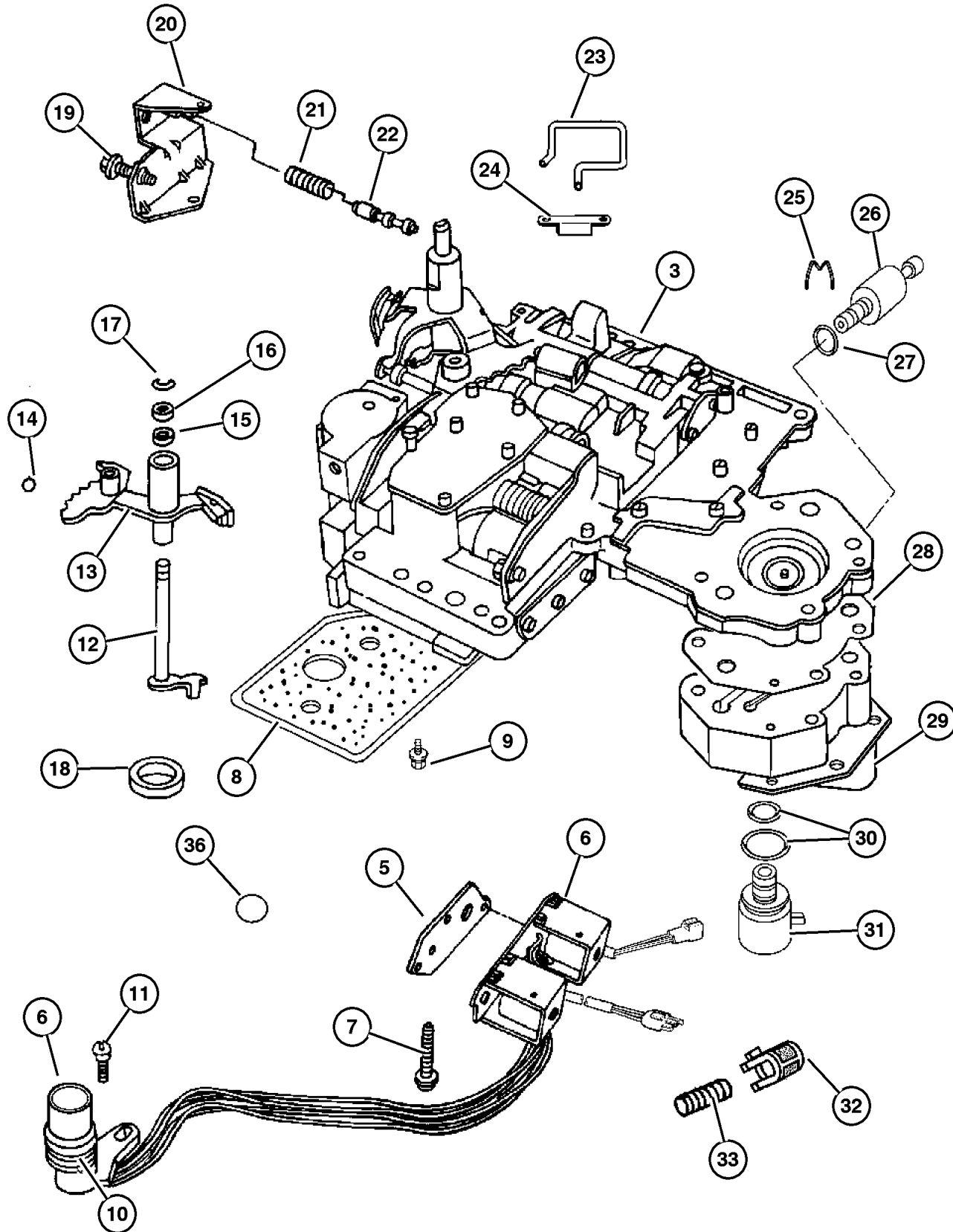
-1	5072 426AA	1	J				DGK		FILTER PACKAGE, Transmission Oil
		1	T				DGK		
-2	5072 413AA	1	J				DGK		SEAL AND GASKET PACKAGE, Valve Body and Servo
		1	T				DGK		
3	52119 633AB	1	T				DGK		BODY, Transfer Plate
		1	J				DGK		
-4	5211 8272	1	J				DGK		PLATE, Transmission Valve Body
		1	T				DGK		
5	4886 333AA	1	J				DGK		GASKET PACKAGE, Transmission Solenoid
		1	T				DGK		
6	52118 500AB	1	J				DGK		SOLENOID, Transmission Overdrive
		1	T				DGK		
7	0181 071	3	J				DGK		BOLT, Valve Body, .25-20x1.75
		3	T				DGK		
8	5211 8789	1	J				DGK		FILTER, Valve Body
		1	T				DGK		
9	6033 826	3	J				DGK		SCREW AND WASHER, Oil Filter Mounting, Fillester Head .190-24x2.500
		3	T				DGK		
10	6034 748	2	J				DGK		O RING, Solenoid Wiring, Transmission
		2	T				DGK		
11	6033 985	1	J				DGK		SCREW, Tapping, .19-24x.75
		1	T				DGK		
12									LEVER, Throttle Valve

JEEP GRAND CHEROKEE (WJ)

SERIES	LINE	BODY	ENGINE	TRANSMISSION
H = Laredo	J = 4WD	74 = 4 Door	ERH = 4.0L, Power Tech I-6	DGK = 4 Speed Auto, 42RE
M = Sport	T = 2WD		EVA = 4.7L Power Tech V8	DGQ = 5 Speed Auto, 45RFE
P = Limited			EVC = 4.7L HO V8 MPI	DG0 = All Automatic Trans
S = Overland			ER0 = All 4.0L 6 Cyl Gas	
			EVO = All 4.7L Gas	

AR = Use as required - = Non illustrated part # = New this model year

December 1, 2003



Valve Body [DGK]
Figure 42RE-710

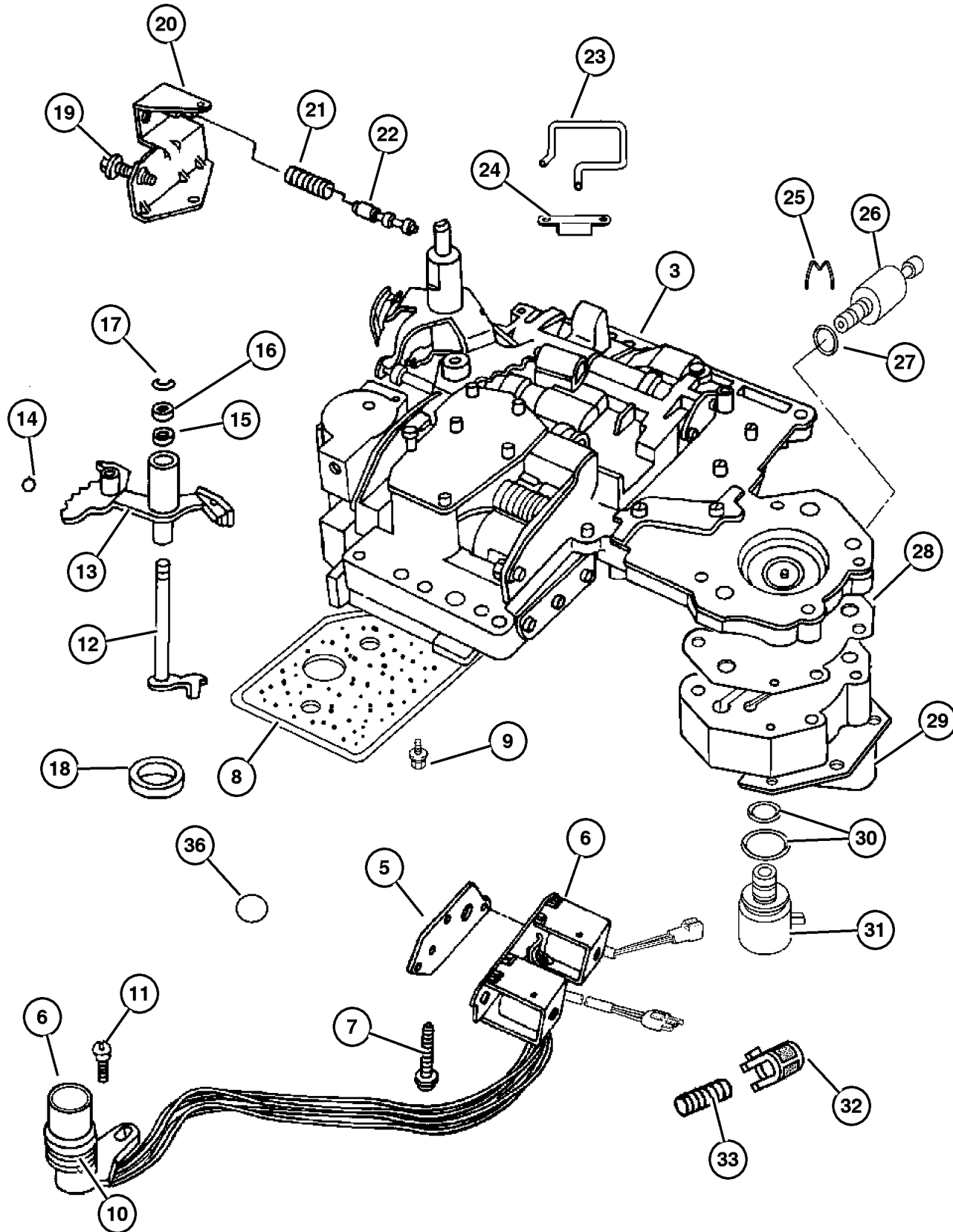
ITEM	PART NUMBER	QTY	LINE	SERIES	BODY	ENGINE	TRANS	TRIM	DESCRIPTION
	3681 227	1	J				DGK		
		1	T				DGK		
13	4617 439	1	J				DGK		LEVER, Manual Valve
		1	T				DGK		
14									BALL, Manual Lever Detent, .343 Diameter
	0147 488	1	J				DGK		
		1	T				DGK		
15									SEAL, Valve Lever Shift
	2466 548	1	J				DGK		
		1	T				DGK		
16									WASHER, Manual Valve Lever
	2538 062	1	J				DGK		
		1	T				DGK		
17									SNAP RING
	6035 208	2	J				DGK		
		2	T				DGK		
18									SEAL, Manual Shift Valve, 1.25 OD
	4505 098	1	J				DGK		
		1	T				DGK		
19									SCREW, Cap Head Lock, .312-24x1.25
	6030 609	1	J				DGK		
		1	T				DGK		
20									BRACKET, Valve Body Switch
	4617 010	1	J				DGK		
		1	T				DGK		
21									SPRING, Switch Valve
	4130 492	1	J				DGK		
		1	T				DGK		
22									VALVE, Trans Lockup Switch
	4505 036	1	J				DGK		
		1	T				DGK		
23									TUBE, Boost Valve
	4617 008	1	J				DGK		
		1	T				DGK		
24									RETAINER, Boost Valve Oil Supply Tube
	5211 7958	1	J				DGK		
		1	T				DGK		

JEEP GRAND CHEROKEE (WJ)

SERIES	LINE	BODY	ENGINE	TRANSMISSION
H = Laredo	J = 4WD	74 = 4 Door	ERH = 4.0L, Power Tech I-6	DGK = 4 Speed Auto, 42RE
M = Sport	T = 2WD		EVA = 4.7L Power Tech V8	DGQ = 5 Speed Auto, 45RFE
P = Limited			EVC = 4.7L HO V8 MPI	DG0 = All Automatic Trans
S = Overland			ER0 = All 4.0L 6 Cyl Gas	
			EVO = All 4.7L Gas	

AR = Use as required - = Non illustrated part # = New this model year

December 1, 2003



Valve Body [DGK]
Figure 42RE-710

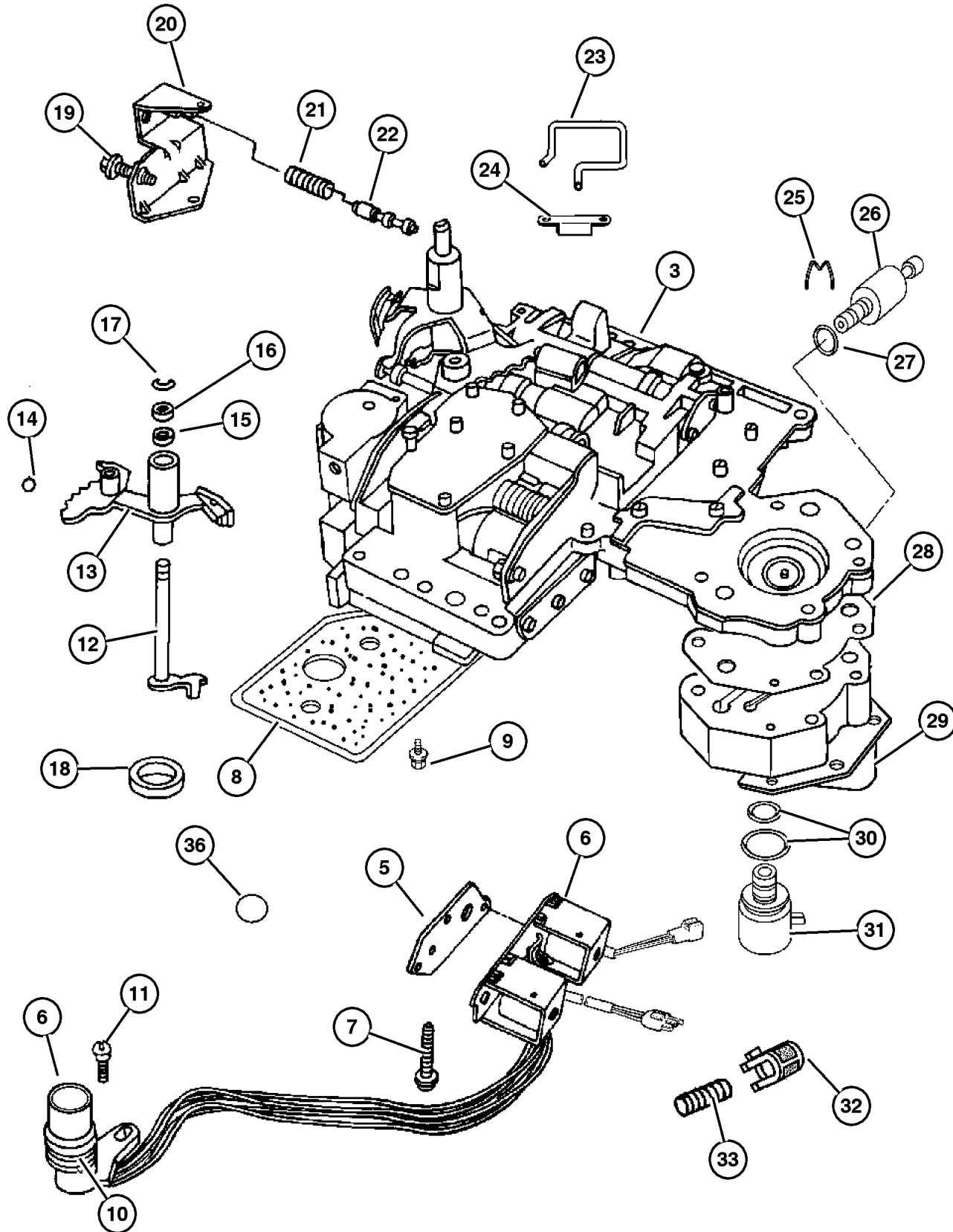
ITEM	PART NUMBER	QTY	LINE	SERIES	BODY	ENGINE	TRANS	TRIM	DESCRIPTION
25									CLIP, Transmission Governor Transducer
	4617 219	1	J				DGK		
		1	T				DGK		
26									TRANSDUCER, Pressure Sensor
	56028 196AD	1	J				DGK		
		1	T				DGK		
27									O RING, Pressure Switch
	6034 493	1	J				DGK		
		1	T				DGK		
28									GASKET, Transmission Solenoid
	4617 216	1	J				DGK		
		1	T				DGK		
29									RETAINER, Transmission Governor Solenoid
	52117 937AB	1	J				DGK		
		1	T				DGK		
30									O RING PACKAGE, Valve Body, Transmission
	4723 549	1	J				DGK		
		1	T				DGK		
31									SOLENOID, Transmission Governor
	4617 210	1	J				DGK		
		1	T				DGK		
32									SCREEN, Transmission Regulator Valve
	3878 313	1	J				DGK		
		1	T				DGK		
33									SPRING, Limit Valve
	4348 907	1	J				DGK		
		1	T				DGK		
-34									BOLT, .25-20 Transmission Transfer Plate & Valve Body To Case
	0179 798	3	J				DGK		
		3	T				DGK		
-35									VALVE, Regulator
	4130 169	1	J				DGK		
		1	T				DGK		
36									BALL, Check
	5211 8261	1	J				DGK		
	5211 8262	1	J				DGK		Large

JEEP GRAND CHEROKEE (WJ)

SERIES	LINE	BODY	ENGINE	TRANSMISSION
H = Laredo	J = 4WD	74 = 4 Door	ERH = 4.0L, Power Tech I-6	DGK = 4 Speed Auto, 42RE
M = Sport	T = 2WD		EVA = 4.7L Power Tech V8	DGQ = 5 Speed Auto, 45RFE
P = Limited			EVC = 4.7L HO V8 MPI	DG0 = All Automatic Trans
S = Overland			ER0 = All 4.0L 6 Cyl Gas	
			EVO = All 4.7L Gas	

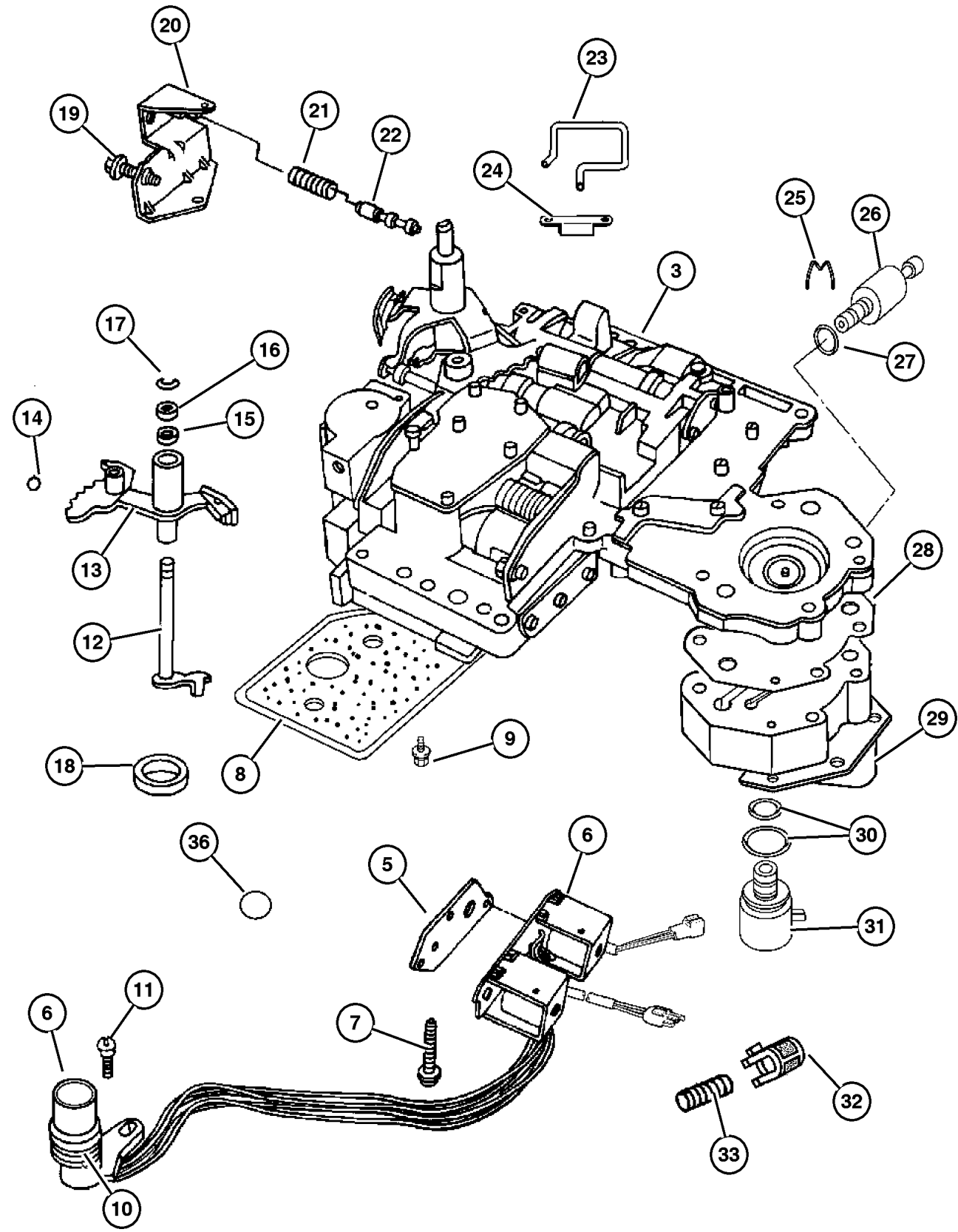
AR = Use as required - = Non illustrated part # = New this model year

December 1, 2003



Valve Body [DGK]
Figure 42RE-710

ITEM	PART NUMBER	QTY	LINE	SERIES	BODY	ENGINE	TRANS	TRIM	DESCRIPTION
	5211 8261	6	T				DGK		
	5211 8262	1	T				DGK	Large	

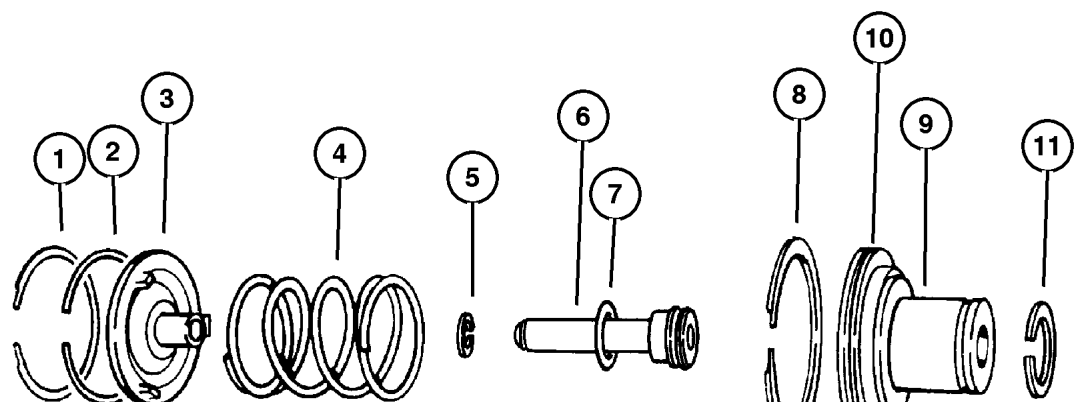


JEEP GRAND CHEROKEE (WJ)				
SERIES	LINE	BODY	ENGINE	TRANSMISSION
H = Laredo	J = 4WD	74 = 4 Door	ERH = 4.0L, Power Tech I-6	DGK = 4 Speed Auto, 42RE
M = Sport	T = 2WD		EVA = 4.7L Power Tech V8	DGQ = 5 Speed Auto, 45RFE
P = Limited			EVC = 4.7L HO V8 MPI	DG0 = All Automatic Trans
S = Overland			ER0 = All 4.0L 6 Cyl Gas	
			EVO = All 4.7l Gas	

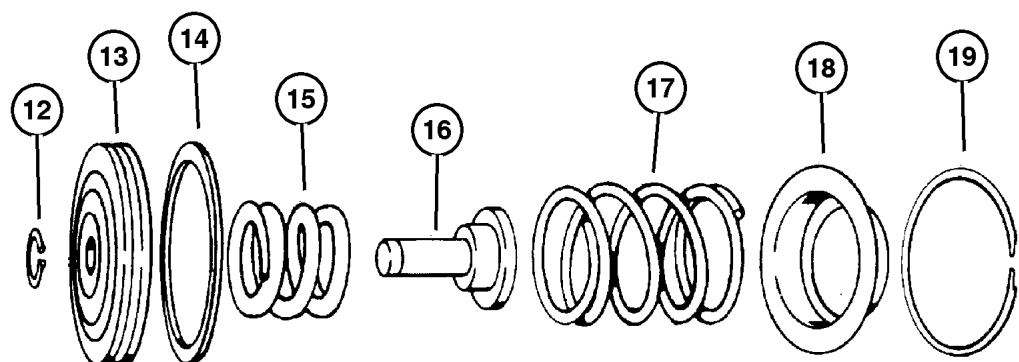
AR = Use as required - = Non illustrated part # = New this model year

December 1, 2003

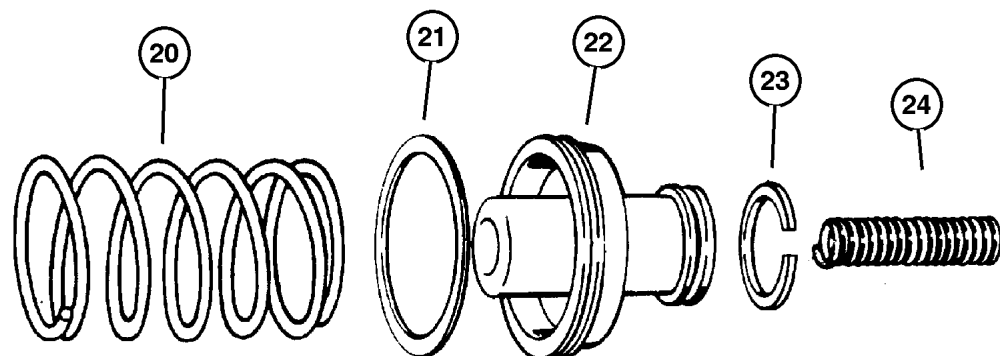
Servos [DGK]
Figure 42RE-720



KICKDOWN SERVO



LOW AND REVERSE SERVO



ACCUMULATOR PISTON AND SPRING

ITEM	PART NUMBER	QTY	LINE	SERIES	BODY	ENGINE	TRANS	TRIM	DESCRIPTION
NOTE: Sales Code: [DGK]=4 Speed Automatic Transmission - [42RE]									
1	6028 863	1	J				DGK		SNAP RING, Kickdown, 2.377
		1	T				DGK		
2	4295 966	1	J				DGK		SEAL, Servo Guide
		1	T				DGK		
3	3410 332	1	J				DGK		GUIDE, Kickdown Servo
		1	T				DGK		
4	4531 119	1	J				DGK		SPRING, Kickdown Servo Piston
		1	T				DGK		
5	6031 392	1	J				DGK		SNAP RING, Brake Master Cylinder
		1	T				DGK		
6	4058 780	1	J				DGK		ROD, Kickdown Servo Piston
		1	T				DGK		
7	6028 864	1	J				DGK		O RING, Kick Down Servo
		1	T				DGK		
8	4295 966	1	J				DGK		SEAL, Servo Guide
		1	T				DGK		
9	4058 777	1	J				DGK		PISTON, Kickdown Servo
		1	T				DGK		
10	6028 864	1	J				DGK		O RING, Kick Down Servo
		1	T				DGK		
11	3743 033	1	J				DGK		SEAL, Kickdown Servo
		1	T				DGK		
12	6027 153	1	J				DGK		SNAP RING, .435 ID
		1	T				DGK		
13	5211 8744	1	J				DGK		PISTON, Reverse Servo

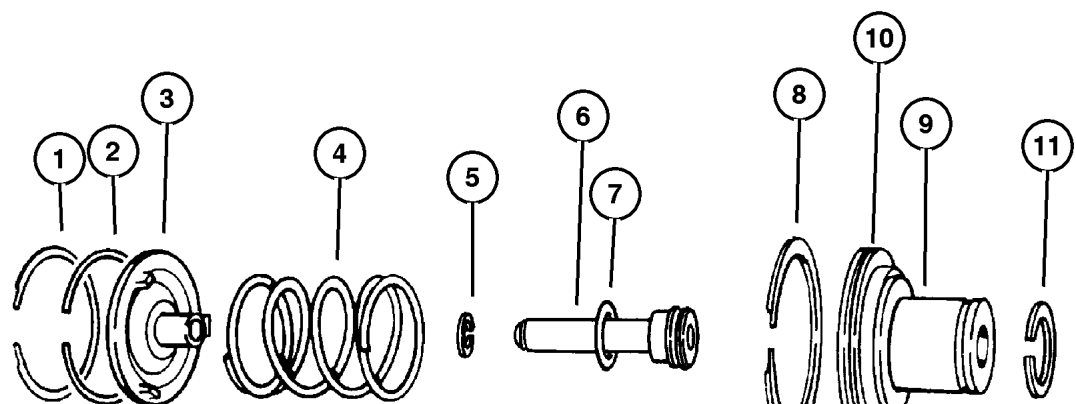
JEEP GRAND CHEROKEE (WJ)

SERIES	LINE	BODY	ENGINE	TRANSMISSION
H = Laredo	J = 4WD	74 = 4 Door	ERH = 4.0L, Power Tech I-6	DGK = 4 Speed Auto, 42RE
M = Sport	T = 2WD		EVA = 4.7L Power Tech V8	DGQ = 5 Speed Auto, 45RFE
P = Limited			EVC = 4.7L HO V8 MPI	DG0 = All Automatic Trans
S = Overland			ER0 = All 4.0L 6 Cyl Gas	
			EVO = All 4.7L Gas	

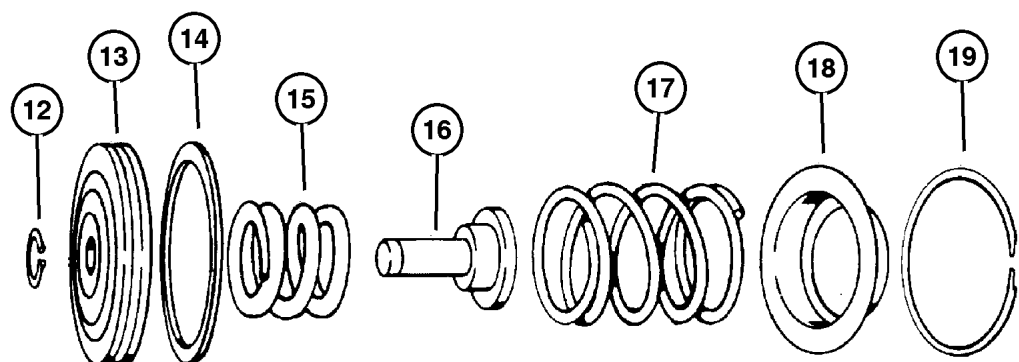
AR = Use as required - = Non illustrated part # = New this model year

December 1, 2003

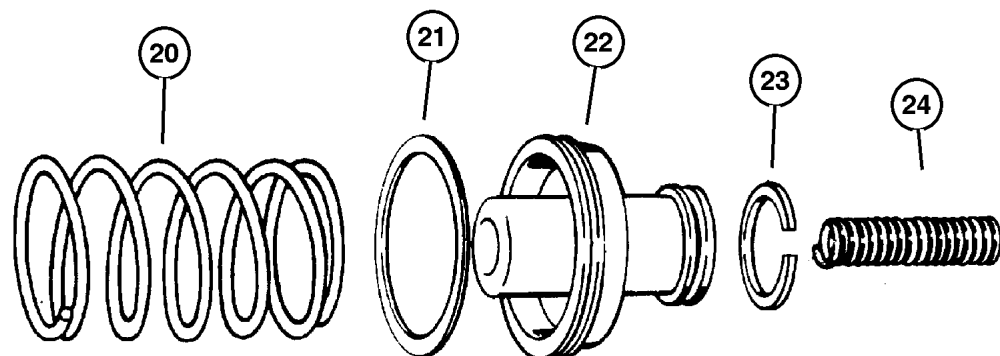
Servos [DGK]
Figure 42RE-720



KICKDOWN SERVO



LOW AND REVERSE SERVO



ACCUMULATOR PISTON AND SPRING

ITEM	PART NUMBER	QTY	LINE	SERIES	BODY	ENGINE	TRANS	TRIM	DESCRIPTION
		1	T				DGK		
14	4202 864	1	T				DGK		SEAL, Reverse Servo Piston
15	4130 824	1	J				DGK		SPRING, Reverse Servo Piston
	2801 274	1	T				DGK		
16	52118 740AB	1	J				DGK		PLUG, Reverse Servo Piston
		1	T				DGK		
17	2801 274	1	J				DGK		SPRING, Reverse Servo Piston
		1	T				DGK		
18									RETAINER, Transmission Rear Clutch
	2464 463	1	J				DGK		
		1	T				DGK		
19	2464 464	1	J				DGK		SNAP RING
		1	T				DGK		
20	4531 259	1	J				DGK		SPRING, Transmission Accumulator
		1	T				DGK		
21	3743 013	1	J				DGK		SEAL, Piston Accumulator
		1	T				DGK		
22	3743 650	1	J				DGK		PISTON, Accumulator
		1	T				DGK		
23	3743 010	1	J				DGK		SEAL, Piston Accumulator
		1	T				DGK		
24	4531 258	1	J				DGK		SPRING, Accumulator Piston
		1	T				DGK		
-25	4431 958	1	J				DGK		RING, Transmission
		1	T				DGK		
-26	4431 959	1	J				DGK		RING, Transmission
		1	T				DGK		

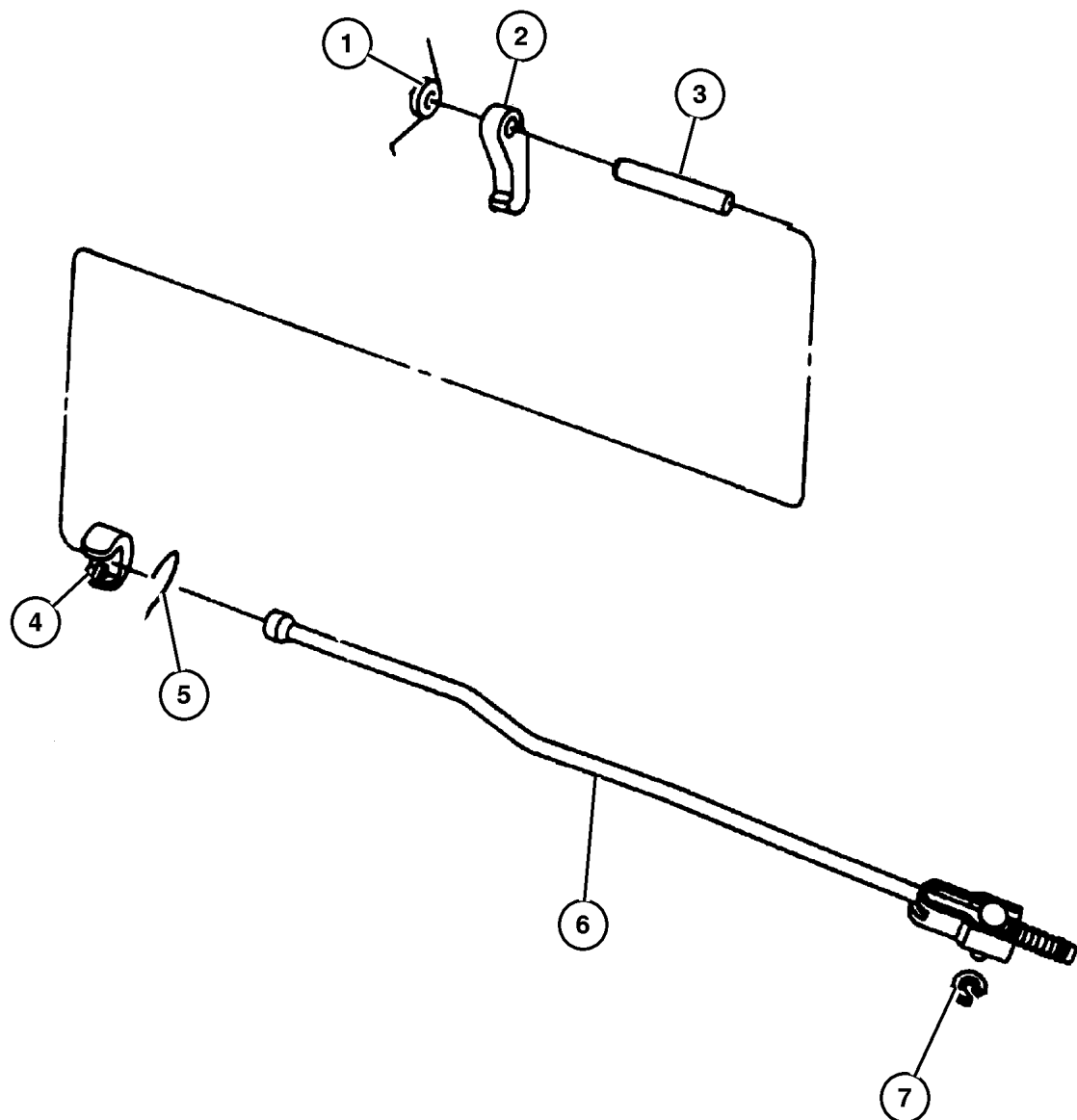
JEEP GRAND CHEROKEE (WJ)

SERIES	LINE	BODY	ENGINE	TRANSMISSION
H = Laredo	J = 4WD	74 = 4 Door	ERH = 4.0L, Power Tech I-6	DGK = 4 Speed Auto, 42RE
M = Sport	T = 2WD		EVA = 4.7L Power Tech V8	DGQ = 5 Speed Auto, 45RFE
P = Limited			EVC = 4.7L HO V8 MPI	DG0 = All Automatic Trans
S = Overland			ER0 = All 4.0L 6 Cyl Gas	
			EVO = All 4.7L Gas	

AR = Use as required - = Non illustrated part # = New this model year

December 1, 2003

**Parking Sprag [DGK]
Figure 42RE-730**



ITEM	PART NUMBER	QTY	LINE	SERIES	BODY	ENGINE	TRANS	TRIM	DESCRIPTION
NOTE:									
Sales Code:									
[DGK]=4 Speed Automatic Transmission - [42RE]									
1									SPRING, Parking Sprag
	2466 909	1	J				DGK		
		1	T				DGK		
2									SPRAG, Transmission Parking
	4471 415AB	1	J				DGK		
		1	T				DGK		
3									SHAFT, Parking Sprag
	2466 892	1	J				DGK		
		1	T				DGK		
4									PLUG, Parking Sprag
	2538 042	1	J				DGK		
		1	T				DGK		
5									SNAP RING, Transmission
	2538 034	1	J				DGK		
		1	T				DGK		
6									ROD, Parking Sprag
	4431 748	1	J				DGK		
		1	T				DGK		
7									SNAP RING, Rod
	6035 256	1	J				DGK		
		1	T				DGK		

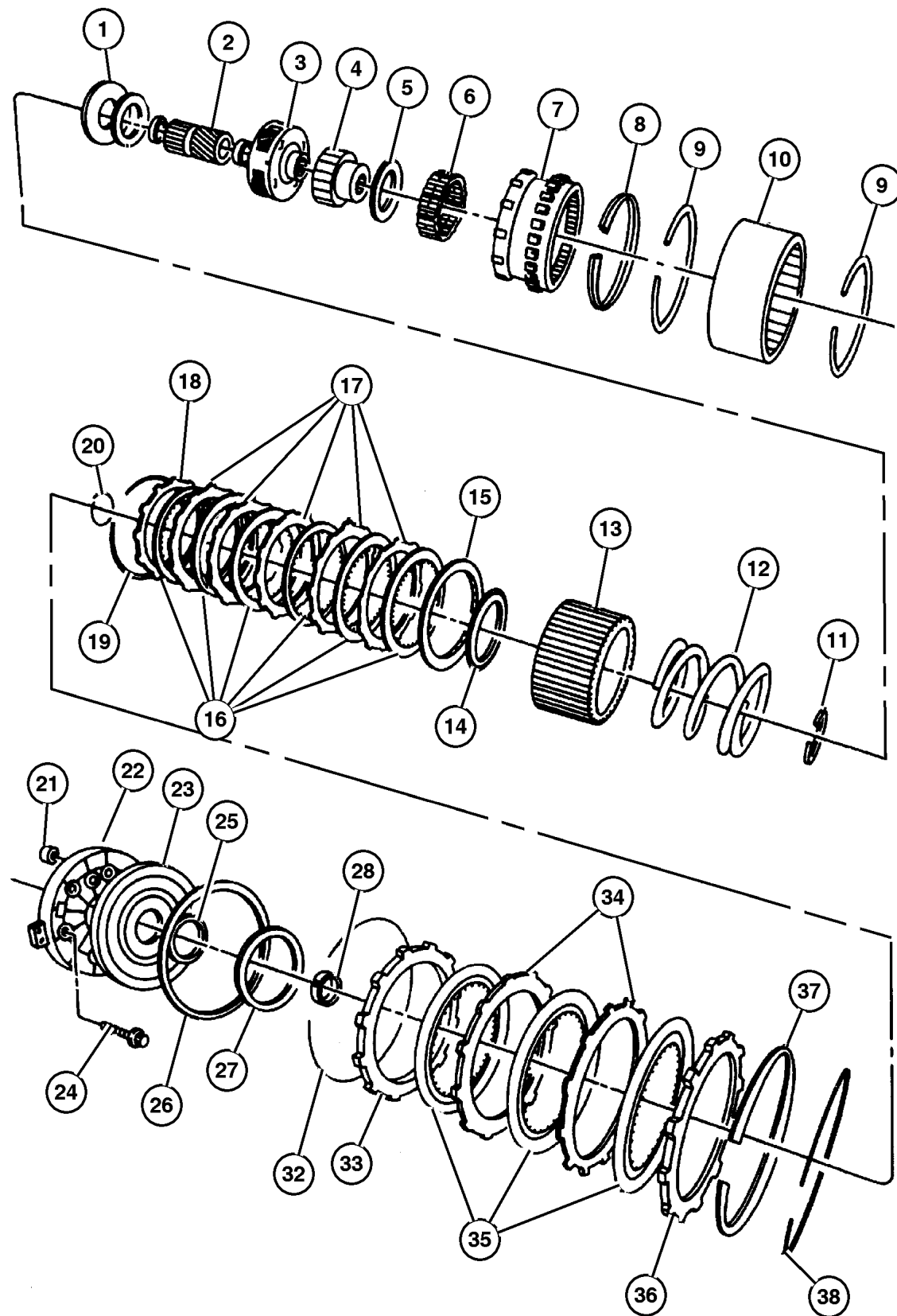
JEEP GRAND CHEROKEE (WJ)

SERIES	LINE	BODY	ENGINE	TRANSMISSION
H = Laredo	J = 4WD	74 = 4 Door	ERH = 4.0L, Power Tech I-6	DGK = 4 Speed Auto, 42RE
M = Sport	T = 2WD		EVA = 4.7L Power Tech V8	DGQ = 5 Speed Auto, 45RFE
P = Limited			EVC = 4.7L HO V8 MPI	DG0 = All Automatic Trans
S = Overland			ER0 = All 4.0L 6 Cyl Gas	
			EVO = All 4.7l Gas	

AR = Use as required - = Non illustrated part # = New this model year

December 1, 2003

**Overdrive Gear Train [DGK]
Figure 42RE-1010**



ITEM	PART NUMBER	QTY	LINE	SERIES	BODY	ENGINE	TRANS	TRIM	DESCRIPTION
NOTE: Sales Code: [DGK]=4 Speed Automatic Transmission - [42RE]									
1									PLATE PACKAGE, Transmission Module
	4740 774	1	J				DGK		
		1	T				DGK		
2									GEAR, Overdrive Sun
	5015 107AA	1	J				DGK		
		1	T				DGK		
3									CARRIER, O/Drive Planet Pinion
	4798 520	1	J				DGK		
		1	T				DGK		
4									RACE, Overrunning Clutch
	4461 124	1	J				DGK		
		1	T				DGK		
5									THRUST BEARING, Ovedrive Third Position
	4461 014	1	J				DGK		
		1	T				DGK		
6									CLUTCH, Overdrive Overrunning
	4461 015	1	J				DGK		
		1	T				DGK		
7									GEAR, Overdrive Annulus
	4761 010	1	J				DGK		
		1	T				DGK		
8									SNAP RING, 5.25 OD
	4461 059	1	J				DGK		
		1	T				DGK		
9									SNAP RING, 6.00 OD
	4461 060	2	J				DGK		
		2	T				DGK		
10									DRUM, Automatic Transmission
	4461 040	1	J				DGK		
		1	T				DGK		
11									SNAP RING, 2.1875 OD
	4461 063	1	J				DGK		
		1	T				DGK		
12									SPRING, Direct Clutch
	4461 032	1	J				DGK		
	4461 027	1	T				DGK		
13									HUB, Direct Clutch

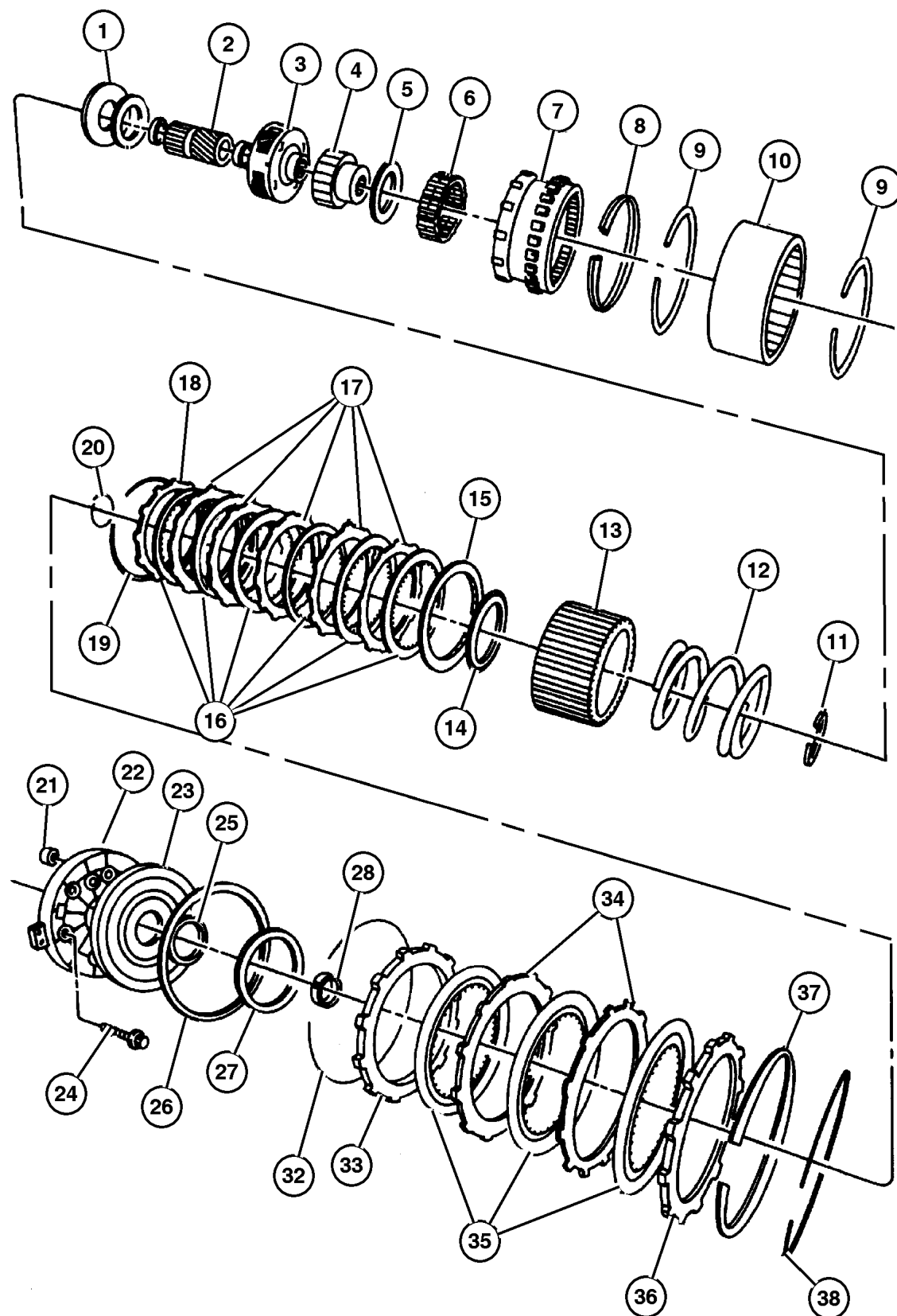
JEEP GRAND CHEROKEE (WJ)

SERIES	LINE	BODY	ENGINE	TRANSMISSION
H = Laredo	J = 4WD	74 = 4 Door	ERH = 4.0L, Power Tech I-6	DGK = 4 Speed Auto, 42RE
M = Sport	T = 2WD		EVA = 4.7L Power Tech V8	DGQ = 5 Speed Auto, 45RFE
P = Limited			EVC = 4.7L HO V8 MPI	DG0 = All Automatic Trans
S = Overland			ER0 = All 4.0L 6 Cyl Gas	
			EVO = All 4.7L Gas	

AR = Use as required - = Non illustrated part # = New this model year

December 1, 2003

Overdrive Gear Train [DGK]
Figure 42RE-1010



ITEM	PART NUMBER	QTY	LINE	SERIES	BODY	ENGINE	TRANS	TRIM	DESCRIPTION
	4461 072	1	J				DGK		
14	4446 724	1	J				DGK		THRUST BEARING, Overdrive
		1	T				DGK		
15	4461 030	1	J				DGK		PLATE, Transmission Clutch Reaction
		1	T				DGK		
16	4461 042	6	J				DGK		DISC, Direct Clutch
		6	T				DGK		
17									PLATE, Transmission Clutch Reaction
	4461 054	5	J				DGK		
		5	T				DGK		
18	4461 031	1	J				DGK		PLATE, Transmission Clutch Reaction
		1	T				DGK		
19	4461 027	1	J				DGK		SPRING, Direct Clutch
		1	T				DGK		
20	4461 064	1	J				DGK		SNAP RING, 1.875" OD
		1	T				DGK		
21	4412 583	1	J				DGK		FILTER, Overdrive Clutch
		1	T				DGK		
22	4617 246	1	J				DGK		RETAINER, Transmission Overdrive Clutch Piston
		1	T				DGK		
23	5211 8599	1	J				DGK		PISTON, Overdrive Clutch
		1	T				DGK		
24	6033 479	6	J				DGK		BOLT, Hex Head, .25-28x1-5/8
		6	T				DGK		
25	4431 696	1	J				DGK		SEAL, Overdrive Clutch Piston Outer

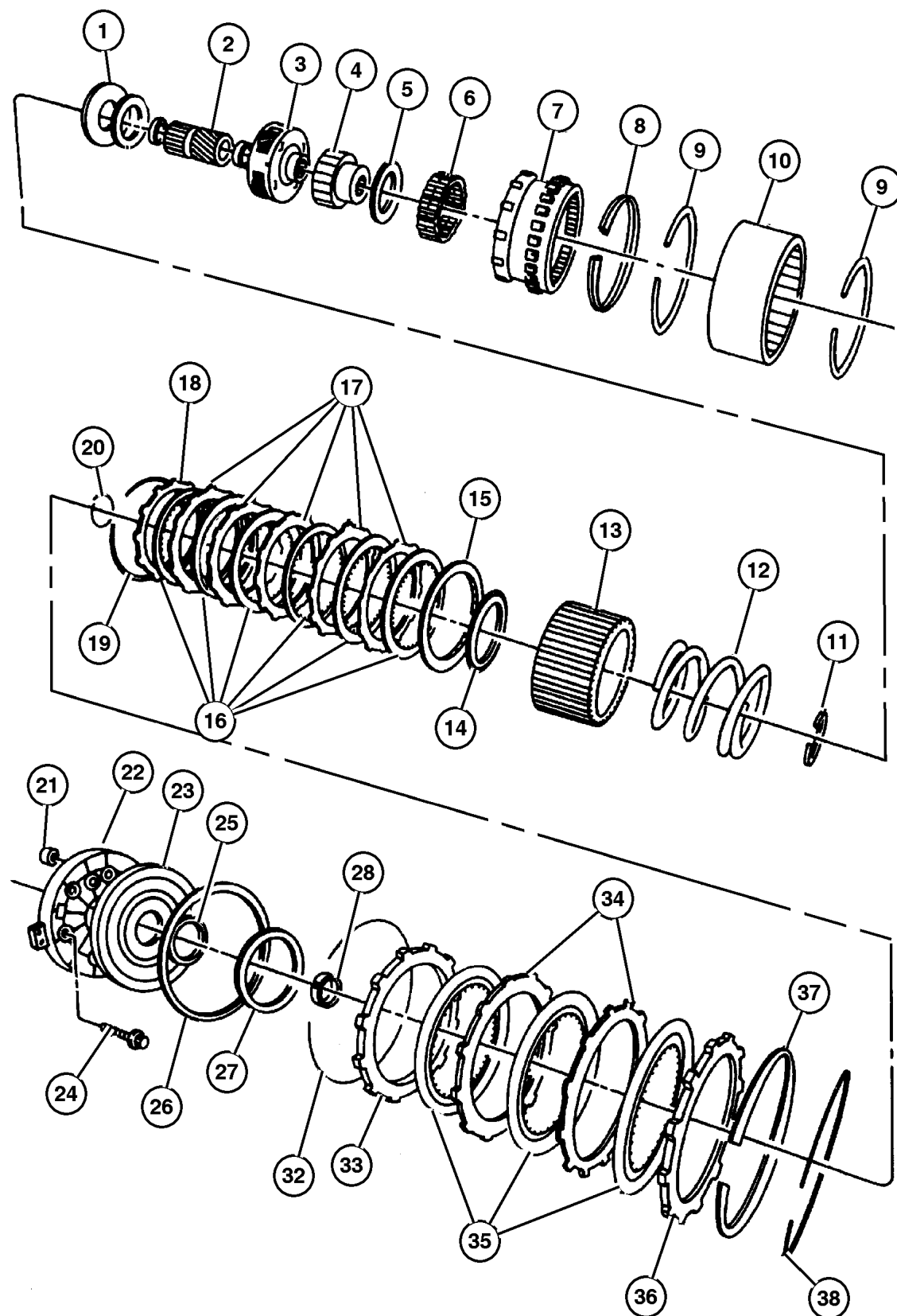
JEEP GRAND CHEROKEE (WJ)

SERIES	LINE	BODY	ENGINE	TRANSMISSION
H = Laredo	J = 4WD	74 = 4 Door	ERH = 4.0L, Power Tech I-6	DGK = 4 Speed Auto, 42RE
M = Sport	T = 2WD		EVA = 4.7L Power Tech V8	DGQ = 5 Speed Auto, 45RFE
P = Limited			EVC = 4.7L HO V8 MPI	DG0 = All Automatic Trans
S = Overland			ER0 = All 4.0L 6 Cyl Gas	
			EVO = All 4.7L Gas	

AR = Use as required - = Non illustrated part # = New this model year

December 1, 2003

**Overdrive Gear Train [DGK]
Figure 42RE-1010**



ITEM	PART NUMBER	QTY	LINE	SERIES	BODY	ENGINE	TRANS	TRIM	DESCRIPTION
		1	T				DGK		
26	4431 697	1	J				DGK		SEAL, Overdrive Clutch Piston
		1	T				DGK		
27									PLATE, Transmission O/Drive Clutch
	4431 585	1	J				DGK		[.123"-.125"] Thick
	4431 735	1	J				DGK		[.108"-.110"] Thick
	4431 585	1	T				DGK		[.123"-.125"] Thick
	4431 586	1	T				DGK		[.153"-.155"] Thick
	4431 587	1	T				DGK		[.183"-.185"] Thick
	4431 588	1	T				DGK		[.213"-.215"] Thick
	4431 590	1	T				DGK		[.243"-.245"] Thick
	4431 731	1	T				DGK		[.138"-.140"] Thick
	4431 732	1	T				DGK		[.168"-.170"] Thick
	4431 733	1	T				DGK		[.198"-.200"] Thick
	4431 734	1	T				DGK		[.228"-.245"] Thick
	4431 586	1	J				DGK		[.153"-.155"] Thick
	4431 735	1	T				DGK		[.108"-.110"] Thick
	4431 587	1	J				DGK		[.183"-.185"] Thick
	4431 588	1	J				DGK		[.213"-.215"] Thick
	4431 590	1	J				DGK		[.243"-.245"] Thick
	4431 731	1	J				DGK		[.138"-.140"] Thick
	4431 732	1	J				DGK		[.168"-.170"] Thick
	4431 733	1	J				DGK		[.198"-.200"] Thick
	4431 734	1	J				DGK		[.228"-.245"] Thick
28									SPACER, Intermediate Shaft, 1.58mm
	4431 916	1	J				DGK		
		1	T				DGK		
-29									SPACER, Intermediate Shaft, .175
	4431 917	1	J				DGK		
		1	T				DGK		
-30									SPACER, Intermediate Shaft, .193
	4431 918	1	J				DGK		
		1	T				DGK		
-31									SPACER, Intermediate Shaft, .211
	4431 919	1	J				DGK		
		1	T				DGK		
32									SNAP RING, Overdrive Clutch
	4461 082	1	J				DGK		
		1	T				DGK		

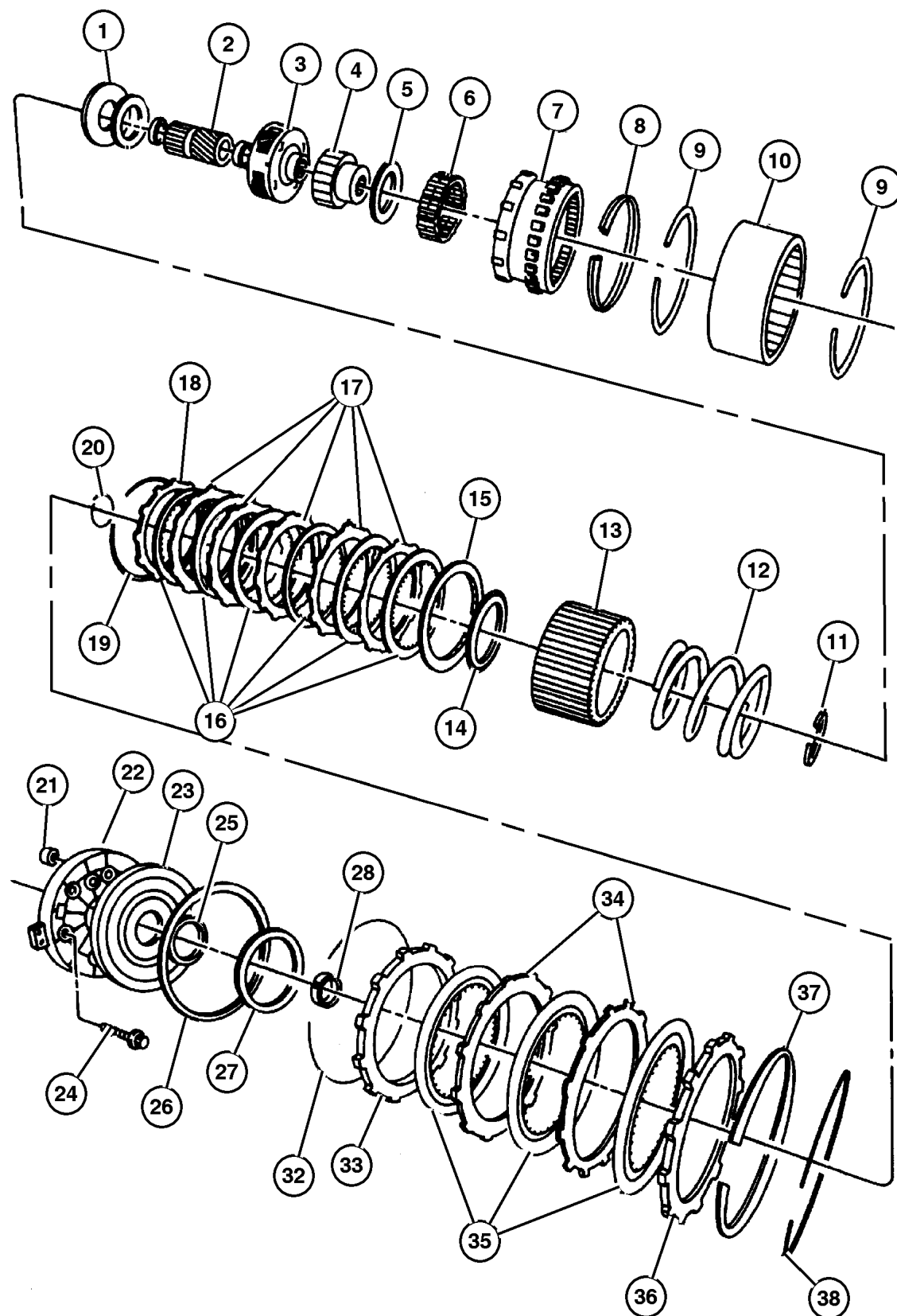
JEEP GRAND CHEROKEE (WJ)

SERIES	LINE	BODY	ENGINE	TRANSMISSION
H = Laredo	J = 4WD	74 = 4 Door	ERH = 4.0L, Power Tech I-6	DGK = 4 Speed Auto, 42RE
M = Sport	T = 2WD		EVA = 4.7L Power Tech V8	DGQ = 5 Speed Auto, 45RFE
P = Limited			EVC = 4.7L HO V8 MPI	DG0 = All Automatic Trans
S = Overland			ER0 = All 4.0L 6 Cyl Gas	
			EVO = All 4.7L Gas	

AR = Use as required - = Non illustrated part # = New this model year

December 1, 2003

Overdrive Gear Train [DGK]
Figure 42RE-1010



ITEM	PART NUMBER	QTY	LINE	SERIES	BODY	ENGINE	TRANS	TRIM	DESCRIPTION
33									PLATE, Transmission Clutch Reaction
	4461 048	1	J				DGK		
		1	T				DGK		
34									PLATE, Transmission Clutch Reaction
	4461 047	2	J				DGK		
		2	T				DGK		
35									DISC, Direct Clutch
	4461 181	3	J				DGK		
		3	T				DGK		
36									PLATE, Transmission Clutch Reaction
	4461 033	1	J				DGK		
		1	T				DGK		
37									SPRING, Overdrive Clutch
	4461 066	1	J				DGK		
		1	T				DGK		
38									SNAP RING, 6.50 OD
	4461 065	1	J				DGK		
		1	T				DGK		
-39	2808 673	1				ER0	DG0		ROLLER AND SPRING PACKAGE, Overrunning Clutch

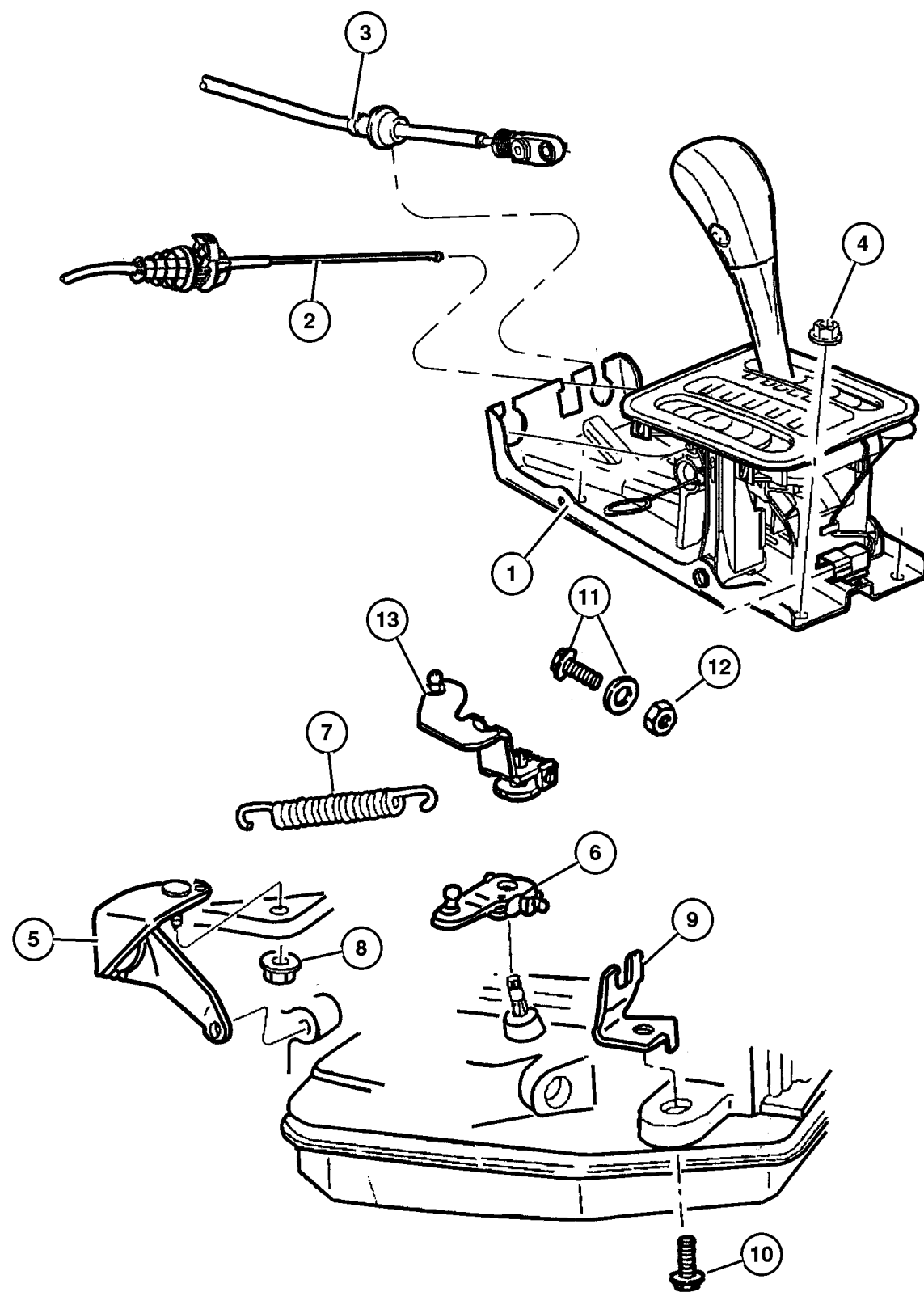
JEEP GRAND CHEROKEE (WJ)

SERIES	LINE	BODY	ENGINE	TRANSMISSION
H = Laredo	J = 4WD	74 = 4 Door	ERH = 4.0L, Power Tech I-6	DGK = 4 Speed Auto, 42RE
M = Sport	T = 2WD		EVA = 4.7L Power Tech V8	DGQ = 5 Speed Auto, 45RFE
P = Limited			EVC = 4.7L HO V8 MPI	DG0 = All Automatic Trans
S = Overland			ER0 = All 4.0L 6 Cyl Gas	
			EVO = All 4.7l Gas	

AR = Use as required - = Non illustrated part # = New this model year

December 1, 2003

**Gearshift Control [DGK]
Figure 42RE-1210**



ITEM	PART NUMBER	QTY	LINE	SERIES	BODY	ENGINE	TRANS	TRIM	DESCRIPTION
NOTES: Sales Codes									
[DGK] = 42RE 4 Speed Automatic Transmissions									
[DGQ] = 45RFE 5 Speed Automatic Transmissions									
[DG0] = All Automatic Transmissions									
[ER0] = All 4.0L Gas Engines									
[EVA] = Next Generation 4.7L Power Tech.									
[EVC] = 4.7L Power Tech Ho									
[EV0] = All 4.7L Gas Engines									
1									HOUSING AND LEVER, Shifter
	52109 670AC	1	T			ER0, EVA, EVC	DGK, DGQ		
	52109 671AC	1	J			ER0, EV0	DGK, DGQ		With [DHP]
2	52109 606AA	1					DG0		CABLE, Park Interlock
3	52104 060AF	1					DG0		CABLE, Gearshift Control
4	6506 929AA	1							NUT, Hex Flange Lock, M8x1.25
5	52104 057AC	1					DGK		BRACKET, Shift Cable
6	5210 4058	1					DGK		LEVER, Manual Control
7	5300 9055	1					DGK		SPRING, Throttle Valve Return
8	6028 114	1					DGK		NUT, Hex, .437-14
9	5207 8867	1				ER0			BRACKET, Cable
10	6029 799	1					DGK		BOLT, Hex Head, .375-16x1.00
11	6100 267	1				ER0			BOLT AND CONED WASHER, Hex Head, M6x25x12.5
12	6507 911AA	1				ER0			NUT
13	52078 723AD	1				ER0			LEVER, Throttle Valve

JEEP GRAND CHEROKEE (WJ)

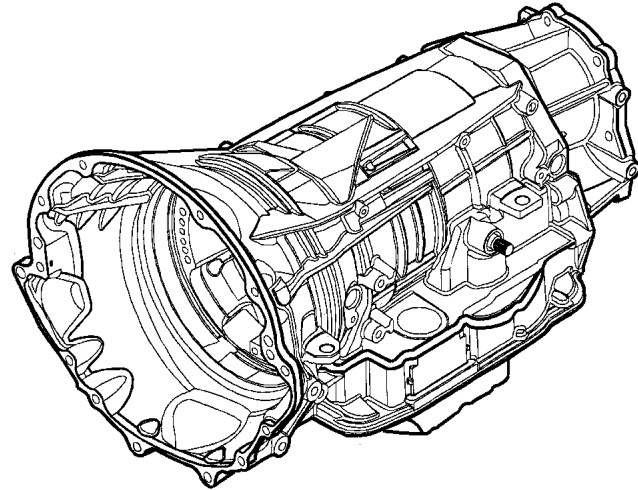
SERIES	LINE	BODY	ENGINE	TRANSMISSION
H = Laredo	J = 4WD	74 = 4 Door	ERH = 4.0L, Power Tech I-6	DGK = 4 Speed Auto, 42RE
M = Sport	T = 2WD		EVA = 4.7L Power Tech V8	DGQ = 5 Speed Auto, 45RFE
P = Limited			EVC = 4.7L HO V8 MPI	DG0 = All Automatic Trans
S = Overland			ER0 = All 4.0L 6 Cyl Gas	
			EV0 = All 4.7L Gas	

AR = Use as required - = Non illustrated part # = New this model year

December 1, 2003

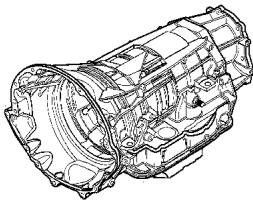
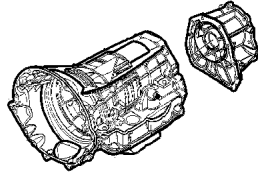
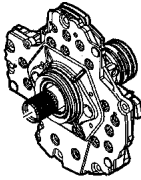
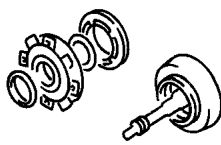
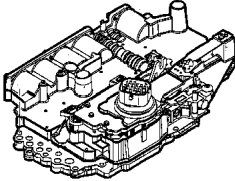
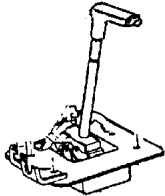
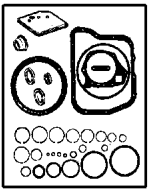
Group – 45RFE

Automatic Transmission Multi-Speed



GROUP 45RFE - Automatic Transmission Multi-Speed

Illustration Title	Group-Fig. No.
Transmission Assembly	
Transmission Assembly [DGQ]	Fig. 45RFE-110
Case and Extension	
Related Parts [DGQ]	Fig. 45RFE-210
Adapter & Extension [DGQ]	Fig. 45RFE-220
Oil Pump	
Pump, Oil [DGQ]	Fig. 45RFE-310
Gear Train	
Input Shaft [DGQ]	Fig. 45RFE-410
Underdrive [DGQ]	Fig. 45RFE-420
Overdrive [DGQ]	Fig. 45RFE-430
2/4 Clutch Retainer [DGQ]	Fig. 45RFE-440
Input / Reverse Planetary [DGQ]	Fig. 45RFE-450
Reaction Annulus / Sun Gear [DGQ]	Fig. 45RFE-460
Low / Reverse Clutch [DGQ]	Fig. 45RFE-470
Valve Body	
Valve Body [DGQ]	Fig. 45RFE-710
Parking Sprag [DGQ]	Fig. 45RFE-720
Gearshift Controls	
Gearshift Controls [DGQ]	Fig. 45RFE-1210
Seal and Shim Packages	
Low Reverse Clutch [DGQ]	Fig. 45RFE-1310
Input Clutch Plate [DGQ]	Fig. 45RFE-1320
Overhaul Package [DGQ]	Fig. 45RFE-1330
Input Clutch [DGQ]	Fig. 45RFE-1340
Planetary Plate [DGQ]	Fig. 45RFE-1350
2 & 4 Clutch	Fig. 45RFE-1360

45RFE-100 Transmission Assembly 	45RFE-200 Case and Extension 	45RFE-300 Oil Pump 	45RFE-400 Gear Train 
45RFE-700 Valve Body 	45RFE-1200 Gearshift Controls 	45RFE-1300 Seal and Shim Packages 	

**Transmission Assembly [DGQ]
Figure 45RFE-110**

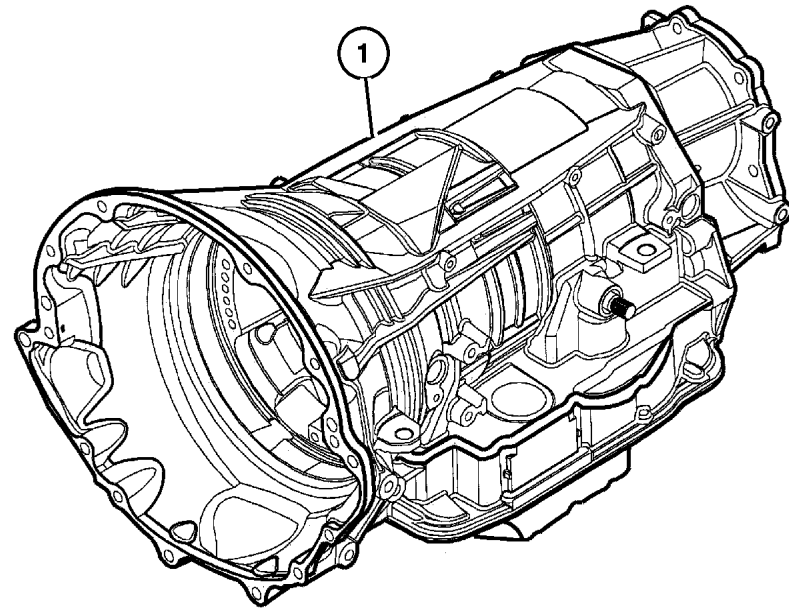
ITEM	PART NUMBER	QTY	LINE	SERIES	BODY	ENGINE	TRANS	TRIM	DESCRIPTION
------	-------------	-----	------	--------	------	--------	-------	------	-------------

NOTE:

Sales Codes

[DGQ] = 5 Speed Automatic Transmission [45RFE]

1									TRANSMISSION KIT, Automatic
	5086 264AA	1	J				DGQ		
	5093 559AA	1	T				DGQ		



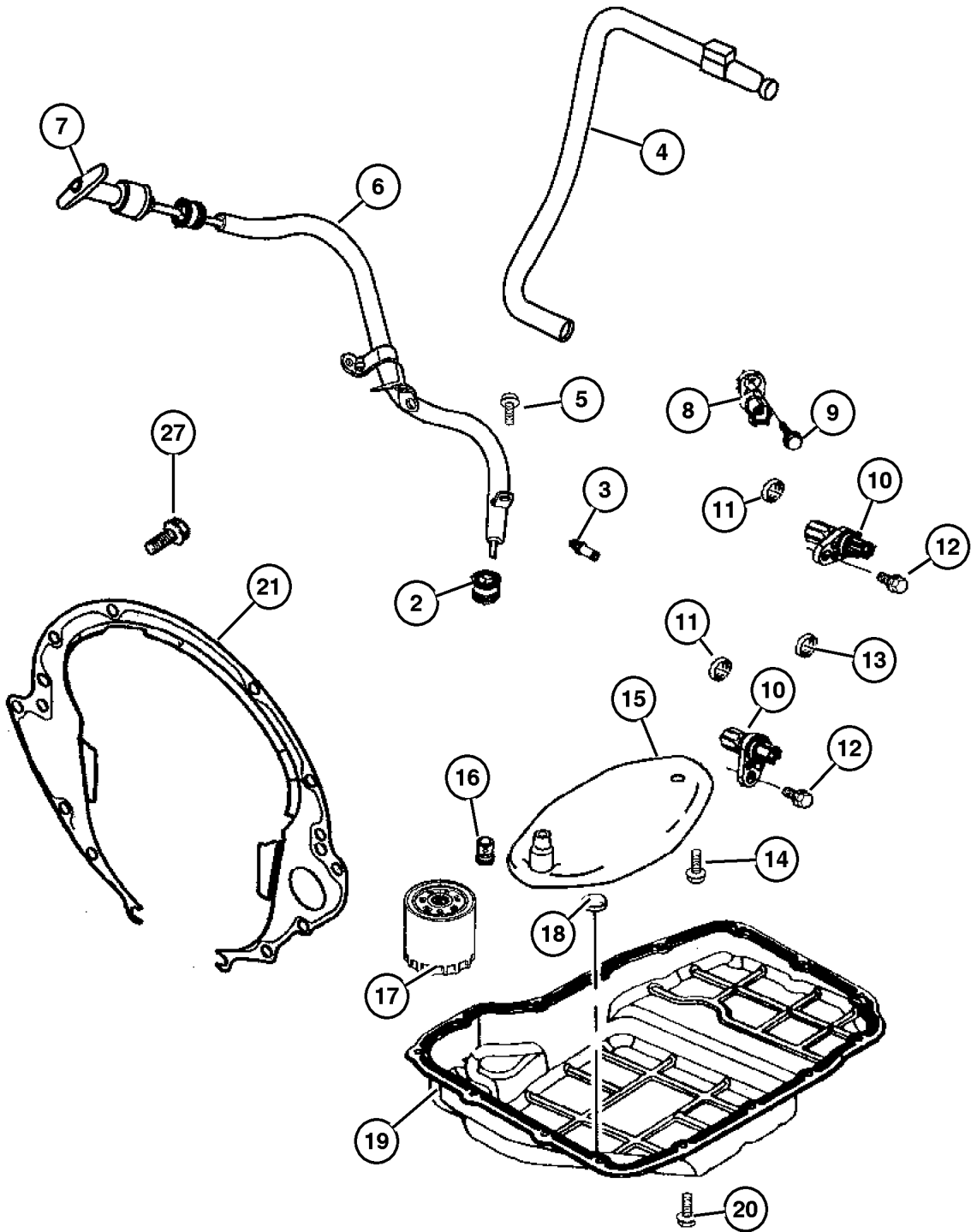
JEEP GRAND CHEROKEE (WJ)

SERIES	LINE	BODY	ENGINE	TRANSMISSION
H = Laredo	J = 4WD	74 = 4 Door	ERH = 4.0L, Power Tech I-6	DGK = 4 Speed Auto, 42RE
M = Sport	T = 2WD		EVA = 4.7L Power Tech V8	DGQ = 5 Speed Auto, 45RFE
P = Limited			EVC = 4.7L HO V8 MPI	DG0 = All Automatic Trans
S = Overland			ER0 = All 4.0L 6 Cyl Gas	
			EVO = All 4.7l Gas	

AR = Use as required - = Non illustrated part # = New this model year

December 1, 2003

Related Parts [DGQ]
Figure 45RFE-210



ITEM	PART NUMBER	QTY	LINE	SERIES	BODY	ENGINE	TRANS	TRIM	DESCRIPTION
NOTE:									
Sales Codes									
[DGQ] = 5 Speed Automatic Transmission [45RFE]									
[ER0] = All 4.0L 6 Cylinder Gas Engines									
[EV0] = All 4.7L Gas Engines									
-1									OVERHAUL PACKAGE, Transmission
	5014 221AJ	1	J				DGQ		
		1	T				DGQ		
2									GROMMET
	4810 021	1	J				DGQ		
		1	T				DGQ		
3									VENT, Transmission
	4799 861AB	1	J				DGQ		
		1	T				DGQ		
4	53032 457AA	1					DGQ		TUBE, Vent
5									BOLT, Hex Head, .375-16x2.25
	0153 371	3	T			ER0	DG0		
		1	J			ER0	DG0		
6	53013 507AA	1				EV0	DG0		TUBE, Transmission Oil Filler
7	52104 137AB	1				EV0	DG0		INDICATOR, Transmission Fluid
									Level
8									TRANSDUCER, Pressure Sensor
	4799 758AC	1	J				DGQ		
		1	T				DGQ		
9									SCREW
	6101 221	1	J				DGQ		
		15	T				DGQ		
10									SENSOR, Transmission Output
									Speed
	4799 061	2	J				DGQ		
		2	T				DGQ		
11									O RING
	4799 062	2	J				DGQ		
		2	T				DGQ		
12									BOLT, M6x1.00x20
	6101 331	2	J				DGQ		
		2	T				DGQ		
13									SEAL
	4799 346	1	J				DGQ		
		1	T				DGQ		

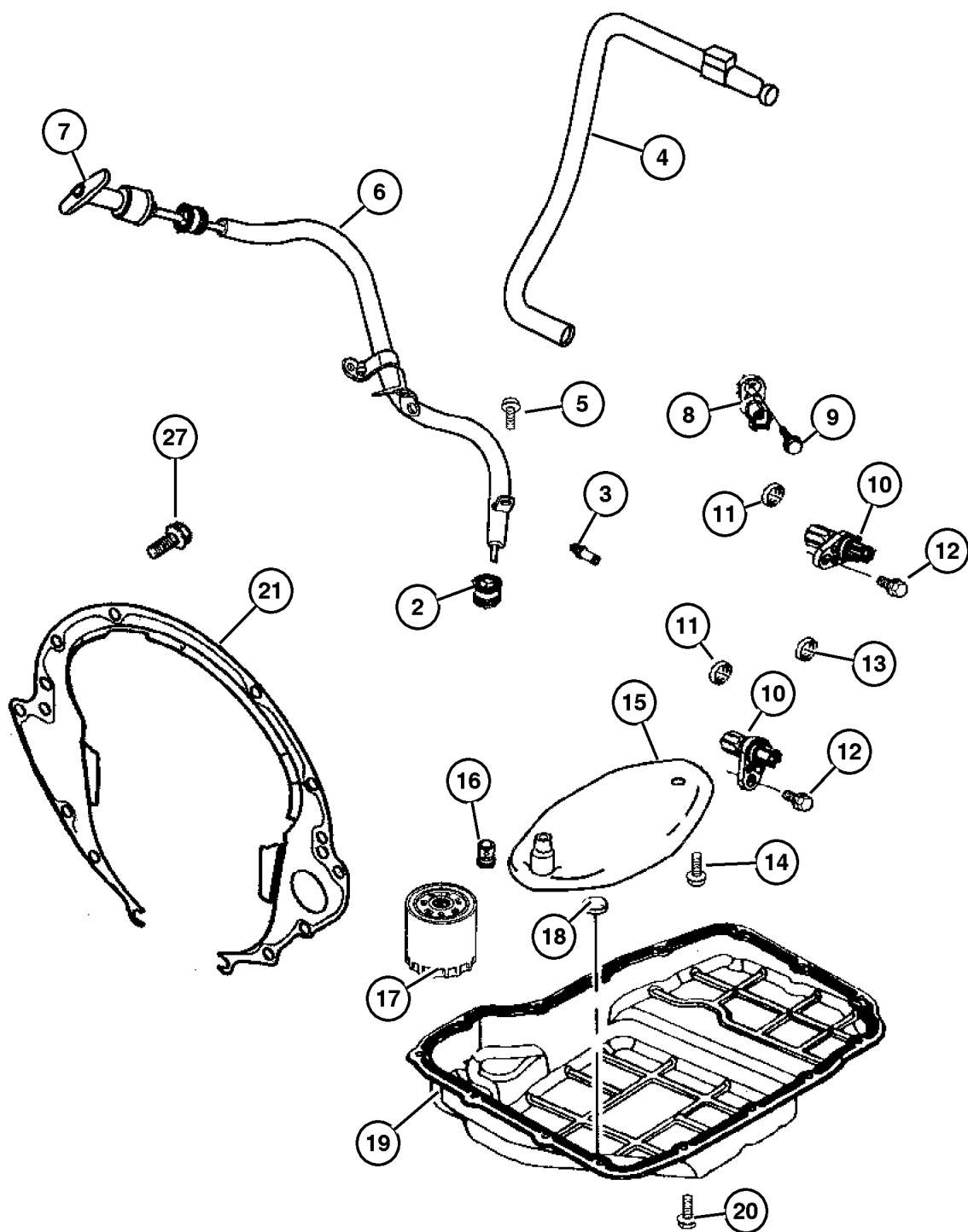
JEEP GRAND CHEROKEE (WJ)

SERIES	LINE	BODY	ENGINE	TRANSMISSION
H = Laredo	J = 4WD	74 = 4 Door	ERH = 4.0L, Power Tech I-6	DGK = 4 Speed Auto, 42RE
M = Sport	T = 2WD		EVA = 4.7L Power Tech V8	DGQ = 5 Speed Auto, 45RFE
P = Limited			EVC = 4.7L HO V8 MPI	DG0 = All Automatic Trans
S = Overland			ER0 = All 4.0L 6 Cyl Gas	
			EV0 = All 4.7L Gas	

AR = Use as required - = Non illustrated part # = New this model year

December 1, 2003

Related Parts [DGQ]
Figure 45RFE-210



ITEM	PART NUMBER	QTY	LINE	SERIES	BODY	ENGINE	TRANS	TRIM	DESCRIPTION
14									SCREW, Pan Head, M5 x 0.8 x 12.60
	6503 232	1	J				DGQ		
		2	T				DGQ		
15									FILTER PACKAGE, Transmission Oil
	5013 470AC	1	J				DGQ		
	5015 267AC	1	T				DGQ		
16									VALVE, Flow Control
	4799 681	1	J				DGQ		
		1	T				DGQ		
17									FILTER, Transmission Oil
	4799 662	1	J				DGQ		
		1	T				DGQ		
18									MAGNET, Transmission
	4446 728	1	J				DGQ		
		1	T				DGQ		
19									PAN, Transmission Oil
	5013 681AA	1	J				DGQ		
	4800 078AA	1	T				DGQ		
20									SCREW
	6101 221	15	J				DGQ		
		15	T				DGQ		
21	5210 4133	1					DGQ		COVER, Transmission Dust
-22	4799 433AB	2	J				DGQ		NUT, Transmission Case
-23									SNAP RING, Transmission
	4799 103	1	J				DGQ		L/R Retainer To Case
		1	T				DGQ		L/R Retainer To Case
-24	4799 986AA	1	J				DGQ		SEAL, Insulator
		1	T				DGQ		
-25									O RING, Control Valve
	6505 335AA	1	J				DGQ		
		1	T				DGQ		
-26									SEAL, Torque Converter Hub
	4736 547	1	J				DGQ		
		1	T				DGQ		
27	6022 266	4				EV0	DG0		SCREW, Hex Head, .375-16x1.5, Transmission to Engine

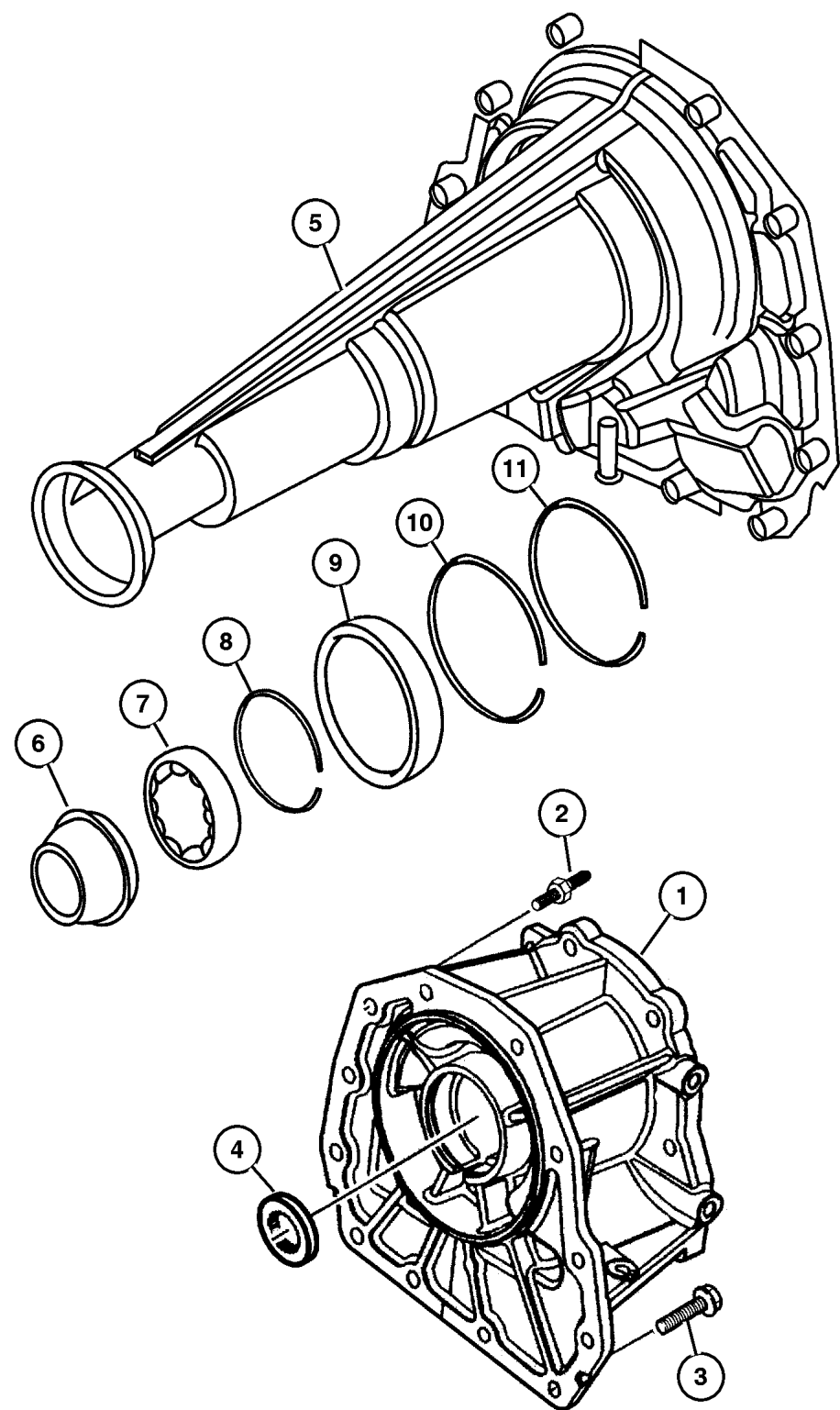
JEEP GRAND CHEROKEE (WJ)

SERIES	LINE	BODY	ENGINE	TRANSMISSION
H = Laredo	J = 4WD	74 = 4 Door	ERH = 4.0L, Power Tech I-6	DGK = 4 Speed Auto, 42RE
M = Sport	T = 2WD		EVA = 4.7L Power Tech V8	DGQ = 5 Speed Auto, 45RFE
P = Limited			EVC = 4.7L HO V8 MPI	DG0 = All Automatic Trans
S = Overland			ER0 = All 4.0L 6 Cyl Gas	
			EV0 = All 4.7L Gas	

AR = Use as required - = Non illustrated part # = New this model year

December 1, 2003

**Adapter & Extension [DGQ]
Figure 45RFE-220**



ITEM	PART NUMBER	QTY	LINE	SERIES	BODY	ENGINE	TRANS	TRIM	DESCRIPTION
NOTE:									
Sales Codes									
[DGQ] = 5 Speed Automatic Transmission [45RFE]									
1	5209 8690	1	J				DGQ		ADAPTER, Transfer Case
2									STUD, M10x1.5x62
	6505 064AA	2	J				DGQ		
		2	T				DGQ		
3									SCREW AND WASHER, Hex Head, M10x1.5x37
	6504 774	10	J				DGQ		
		10	T				DGQ		
4	5019 020AA	1	J				DGQ		SEAL, Input Gear
5	4799 495	1	T				DGQ		HOUSING, Transmission Rear
									Extension
6	4531 216AB	1	T				DGQ		SEAL, Output Shaft
7	2466 224	1	T				DGQ		BEARING, Output Shaft
8	4461 069	1	T				DGQ		SNAP RING
9	5086 303AA	1	T				DGQ		BEARING, Input Gear
10	5086 304AA	1	T				DGQ		SNAP RING
11	5086 314AA	1	T				DGQ		SNAP RING

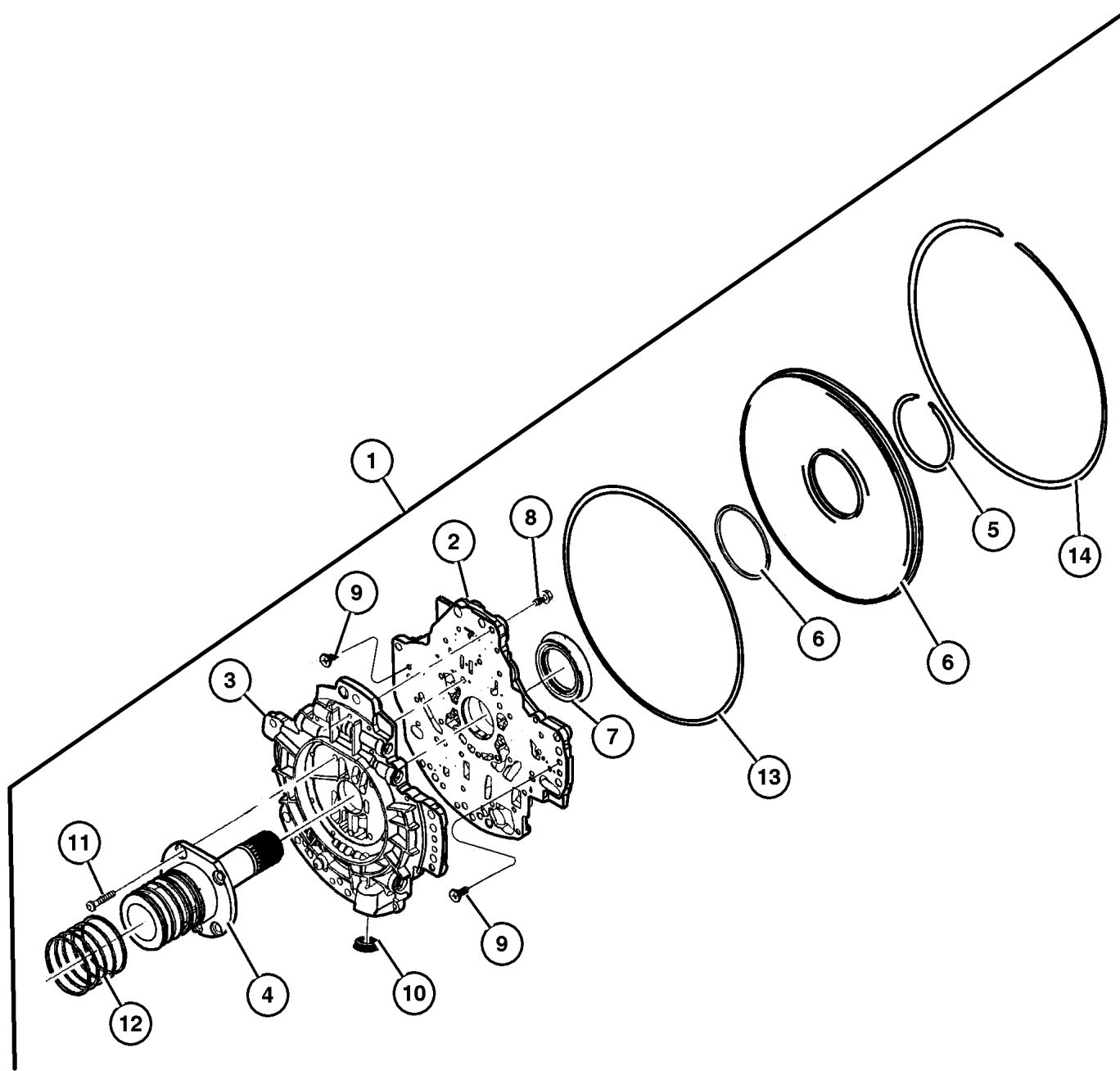
JEEP GRAND CHEROKEE (WJ)

SERIES	LINE	BODY	ENGINE	TRANSMISSION
H = Laredo	J = 4WD	74 = 4 Door	ERH = 4.0L, Power Tech I-6	DGK = 4 Speed Auto, 42RE
M = Sport	T = 2WD		EVA = 4.7L Power Tech V8	DGQ = 5 Speed Auto, 45RFE
P = Limited			EVC = 4.7L HO V8 MPI	DG0 = All Automatic Trans
S = Overland			ER0 = All 4.0L 6 Cyl Gas	
			EVO = All 4.7l Gas	

AR = Use as required - = Non illustrated part # = New this model year

December 1, 2003

**Pump, Oil [DGQ]
Figure 45RFE-310**



ITEM	PART NUMBER	QTY	LINE	SERIES	BODY	ENGINE	TRANS	TRIM	DESCRIPTION
NOTE: Sales Codes [DGQ] = 5 Speed Automatic Transmission [45RFE]									
1									PUMP PACKAGE, Transmission
	5073 004AB	1	J				DGQ		
		1	T				DGQ		
2									HOUSING, Pump, (NOT SERVICED) (Not Serviced)
3									BODY, Oil Pump Valve, (NOT SERVICED) (Not Serviced)
4									SUPPORT, Reaction Shaft, (NOT SERVICED) (Not Serviced)
5									SNAP RING, Transmission
	4799 082	1	J				DGQ		
		1	T				DGQ		
6									COVER, Oil Pump
	4799 609	1	J				DGQ		
		1	T				DGQ		
7									SEAL, Transmission Oil Pump
	4617 919	1	J				DGQ		
		1	T				DGQ		
8									SCREW AND WASHER, Pan Head, M5x.8x25
	6500 215	24	J				DGQ		
		24	T				DGQ		
9									SCREW, Pan Head, M5 x 0.8 x 12.60
	6503 232	1	J				DGQ		
		1	T				DGQ		
10									SEAL, Oil Pump
	4799 964AB	1	J				DGQ		
		1	T				DGQ		
11									SCREW, Button Head
	6504 661	5	J				DGQ		
		5	T				DGQ		
12									RING, Transmission
	4799 056	1	J				DGQ		
		5	T				DGQ		
13									O RING, Oil Pump, .
	4799 003	1	J				DGQ		
		1	T				DGQ		
14									SNAP RING, Transmission

JEEP GRAND CHEROKEE (WJ)

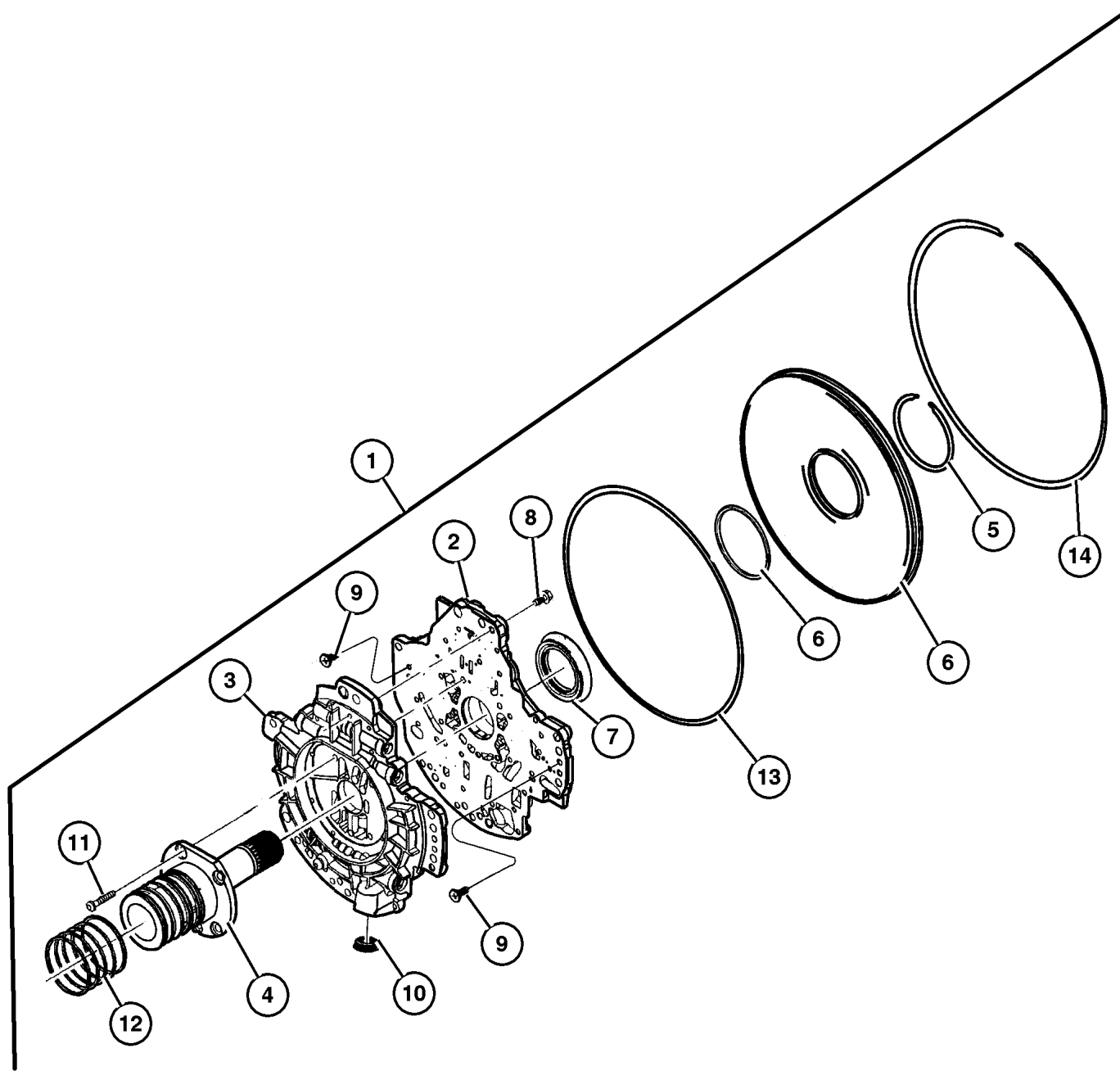
SERIES	LINE	BODY	ENGINE	TRANSMISSION
H = Laredo	J = 4WD	74 = 4 Door	ERH = 4.0L, Power Tech I-6	DGK = 4 Speed Auto, 42RE
M = Sport	T = 2WD		EVA = 4.7L Power Tech V8	DGQ = 5 Speed Auto, 45RFE
P = Limited			EVC = 4.7L HO V8 MPI	DG0 = All Automatic Trans
S = Overland			ER0 = All 4.0L 6 Cyl Gas	
			EVO = All 4.7L Gas	

AR = Use as required - = Non illustrated part # = New this model year

December 1, 2003

Pump, Oil [DGQ]
Figure 45RFE-310

ITEM	PART NUMBER	QTY	LINE	SERIES	BODY	ENGINE	TRANS	TRIM	DESCRIPTION
	4799 005	1	J				DGQ		
		1	T				DGQ		

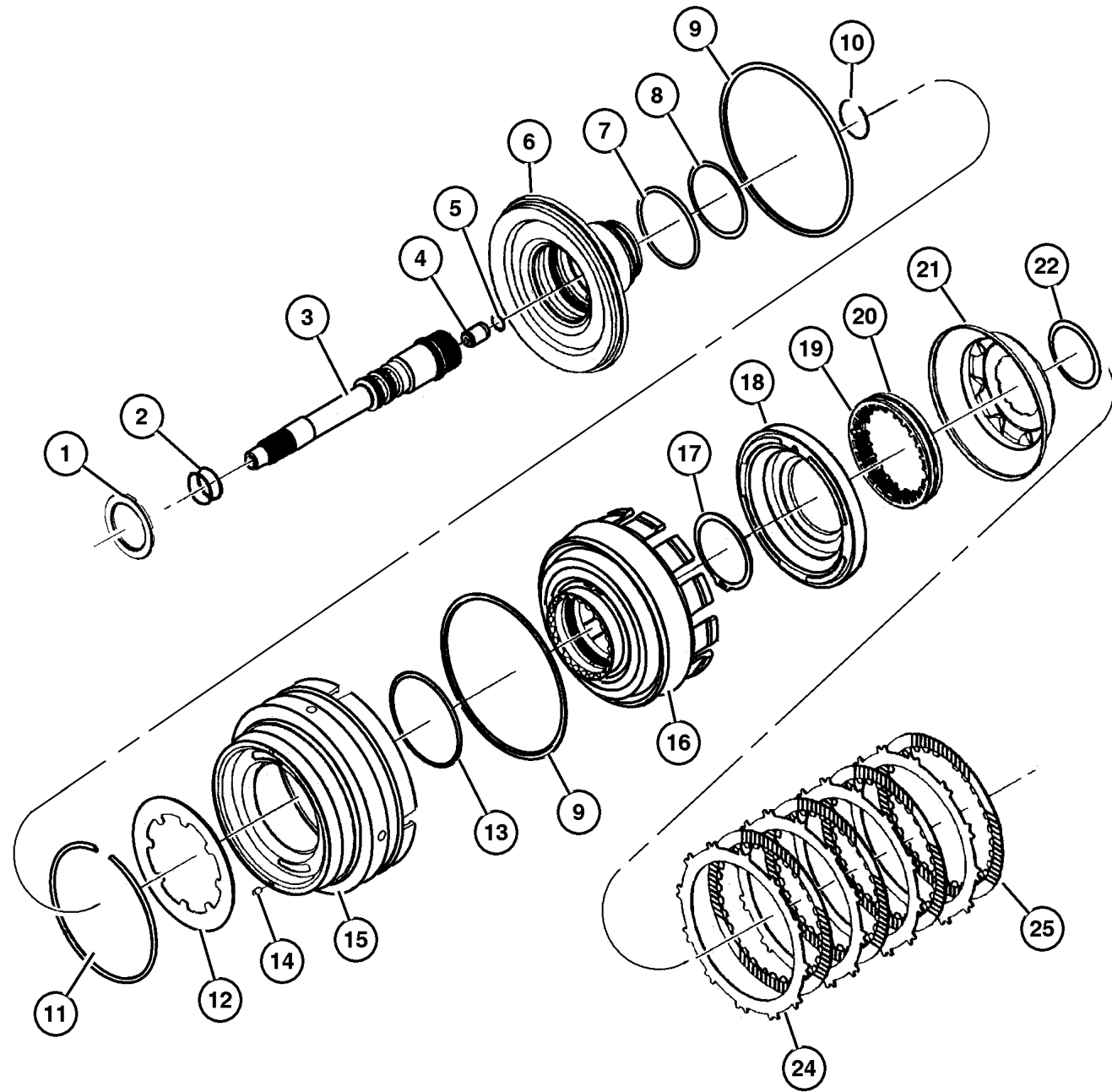


JEEP GRAND CHEROKEE (WJ)				
SERIES	LINE	BODY	ENGINE	TRANSMISSION
H = Laredo	J = 4WD	74 = 4 Door	ERH = 4.0L, Power Tech I-6	DGK = 4 Speed Auto, 42RE
M = Sport	T = 2WD		EVA = 4.7L Power Tech V8	DGQ = 5 Speed Auto, 45RFE
P = Limited			EVC = 4.7L HO V8 MPI	DG0 = All Automatic Trans
S = Overland			ER0 = All 4.0L 6 Cyl Gas	
			EVO = All 4.7l Gas	

AR = Use as required - = Non illustrated part # = New this model year

December 1, 2003

**Input Shaft [DGQ]
Figure 45RFE-410**



ITEM	PART NUMBER	QTY	LINE	SERIES	BODY	ENGINE	TRANS	TRIM	DESCRIPTION
------	-------------	-----	------	--------	------	--------	-------	------	-------------

NOTE:

Sales Codes

[DGQ] = 5 Speed Automatic Transmission [45RFE]

1	4799 469	1	J				DGQ		THRUST BEARING, Needle Roller
	4799 459	1	T				DGQ		
2									SEAL, Input Shaft, PKG 05013090AA
	4799 539	2	J				DGQ		
		2	T				DGQ		
3	4799 537	1	J				DGQ		SHAFT, Input
		1	T				DGQ		
4	4799 974AA	1	J				DGQ		CHECK VALVE, Transmission
		1	T				DGQ		
5									SNAP RING
	4799 978AA	1	J				DGQ		
		1	T				DGQ		
6	4799 536AC	1	J				DGQ		HUB, Input Clutch
		1	T				DGQ		
7									O RING, Transmission Clutch, PKG 05013090AA
	4799 073	1	J				DGQ		
		1	T				DGQ		
8									O RING, Transmission Clutch, PKG 05013090AA
	4799 755	1	J				DGQ		
		1	T				DGQ		
9	4799 090	1	J				DGQ		SEAL, Input, PKG 05013090aa
		1	T				DGQ		
10	4799 538	1	J				DGQ		SNAP RING, Input Shaft
		1	T				DGQ		
11									SNAP RING, Transmission
	4799 088	1	J				DGQ		
		1	T				DGQ		
12	4799 087	1	J				DGQ		SPRING, Piston Return

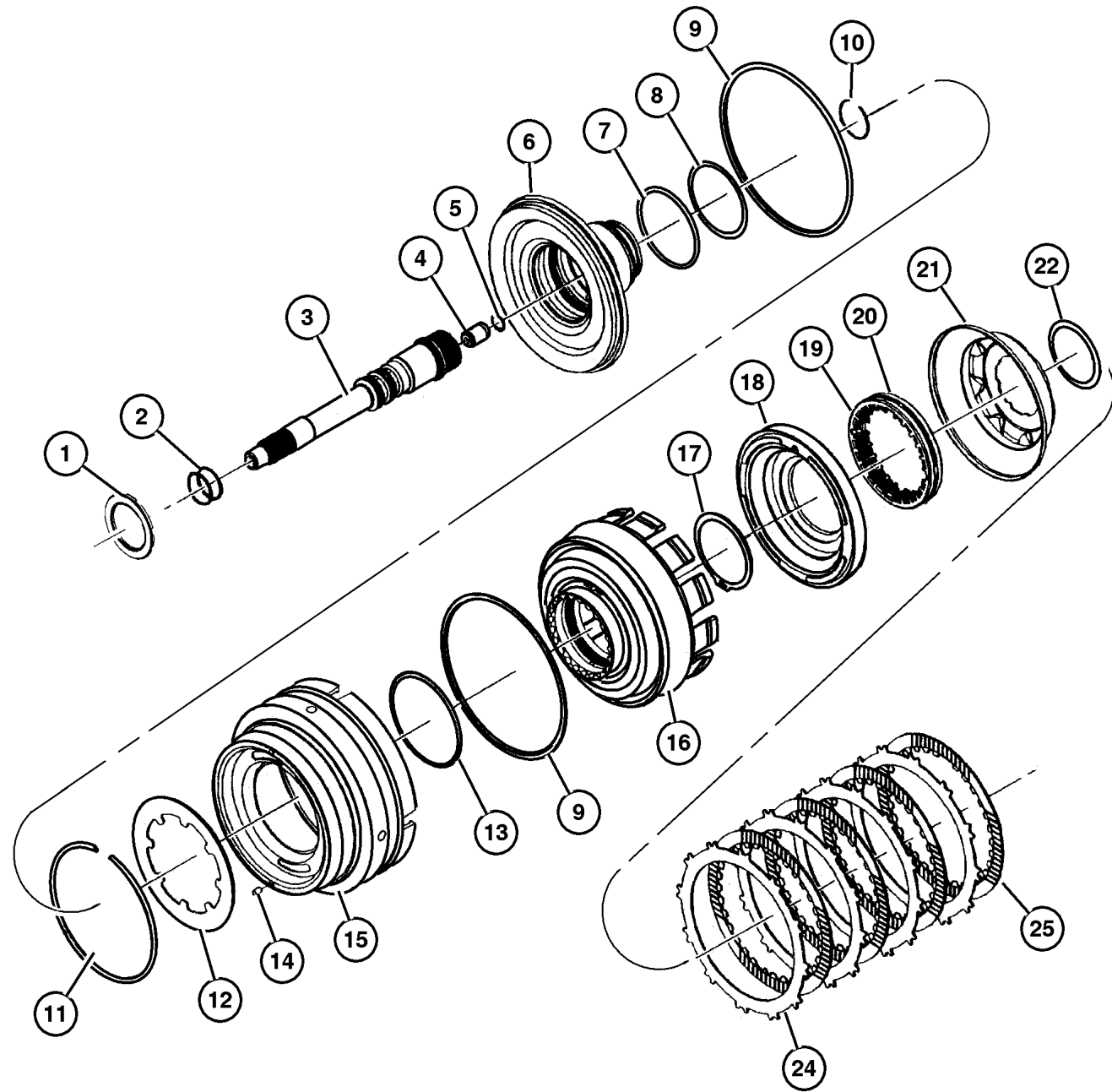
JEEP GRAND CHEROKEE (WJ)

SERIES	LINE	BODY	ENGINE	TRANSMISSION
H = Laredo	J = 4WD	74 = 4 Door	ERH = 4.0L, Power Tech I-6	DGK = 4 Speed Auto, 42RE
M = Sport	T = 2WD		EVA = 4.7L Power Tech V8	DGQ = 5 Speed Auto, 45RFE
P = Limited			EVC = 4.7L HO V8 MPI	DG0 = All Automatic Trans
S = Overland			ER0 = All 4.0L 6 Cyl Gas	
			EVO = All 4.7L Gas	

AR = Use as required - = Non illustrated part # = New this model year

December 1, 2003

**Input Shaft [DGQ]
Figure 45RFE-410**



ITEM	PART NUMBER	QTY	LINE	SERIES	BODY	ENGINE	TRANS	TRIM	DESCRIPTION
		1	T				DGQ		
13									O RING, Reverse & O/Drive Clutch Piston, Transmission, PKG 05013090AA
	4799 089	1	J				DGQ		
		1	T				DGQ		
14	4531 903	1	J				DGQ		FILTER, Reverse And O/D Clutch
		1	T				DGQ		
15	5073 525AA	AR	J				DGQ		PISTON, Reverse and Overdrive
		AR	T				DGQ		
16									RETAINER, Transmission Input Clutch
	4799 648	1	J				DGQ		
		1	T				DGQ		
17									SNAP RING
	4799 247	1	J				DGQ		
		1	T				DGQ		
18	4799 650	1	J				DGQ		PISTON, Underdrive
		1	T				DGQ		
19	5086 303AA	1	T				DGQ		BEARING, Input Gear
20		1	T				DGQ		SPRING, Undredrive Piston, PKG 05013090AA
	4799 101	1	J				DGQ		
		1	T				DGQ		
21	4799 652	1	J				DGQ		PISTON, Underdrive
		1	T				DGQ		
22									SNAP RING, Transmission, PKG 05013090AA , (NOT SERVICED) (Not Serviced)
-23	4799 103	1	J				DGQ		SNAP RING, Transmission
		1	T				DGQ		
24									PLATE, PKG 05013090AA, (NOT SERVICED) (Not Serviced)
25									DISC, Clutch, PKG 05013090AA, (NOT SERVICED) (Not Serviced)

JEEP GRAND CHEROKEE (WJ)

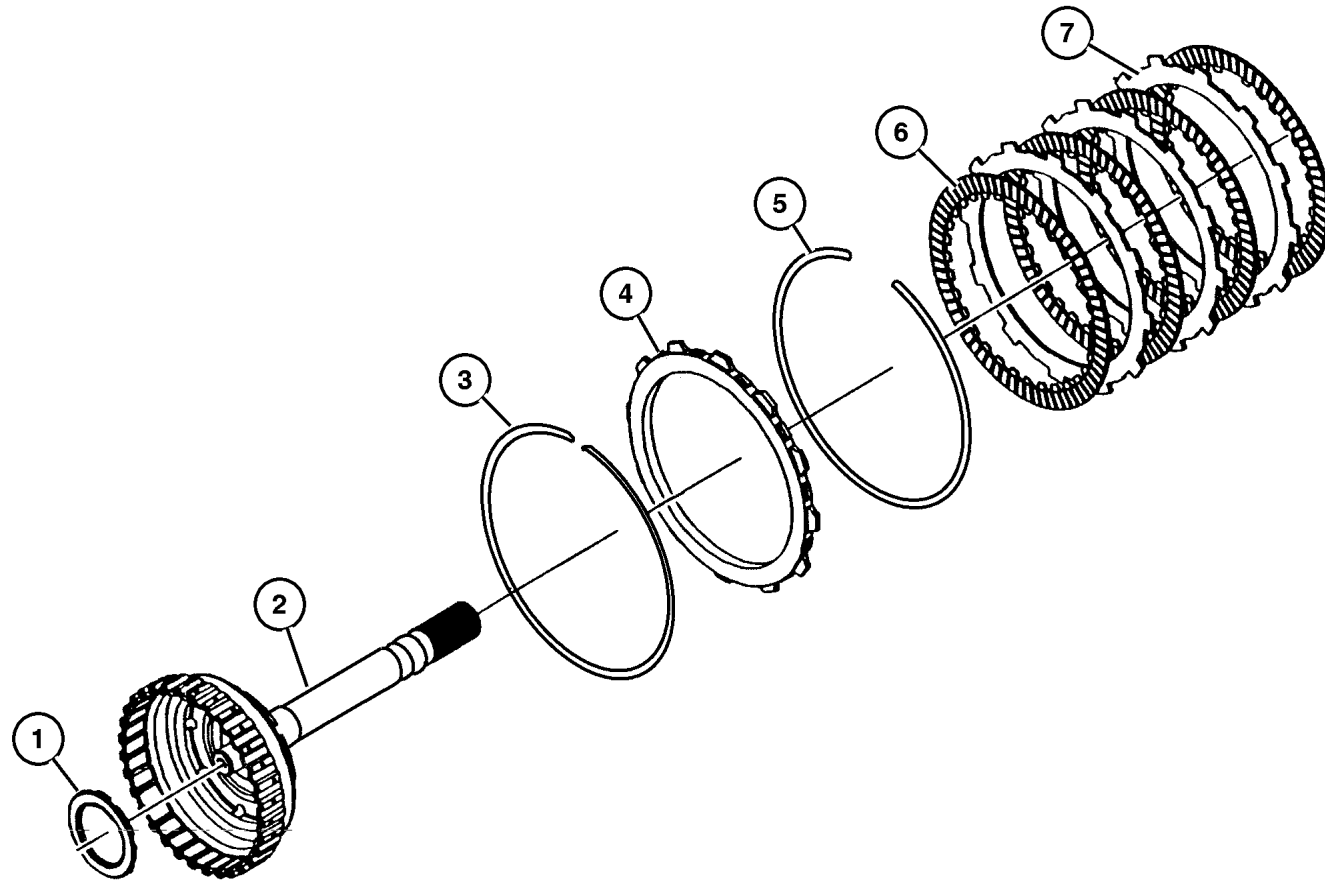
SERIES	LINE	BODY	ENGINE
H = Laredo	J = 4WD	74 = 4 Door	ERH = 4.0L, Power Tech I-6
M = Sport	T = 2WD		EVA = 4.7L Power Tech V8
P = Limited			EVC = 4.7L HO V8 MPI
S = Overland			ER0 = All 4.0L 6 Cyl Gas
			EVO = All 4.7l Gas

TRANSMISSION
DGK = 4 Speed Auto, 42RE
DGQ = 5 Speed Auto, 45RFE
DG0 = All Automatic Trans

AR = Use as required - = Non illustrated part # = New this model year

December 1, 2003

Underdrive [DGQ]
Figure 45RFE-420



ITEM	PART NUMBER	QTY	LINE	SERIES	BODY	ENGINE	TRANS	TRIM	DESCRIPTION
NOTE: Sales Codes [DGQ] = 5 Speed Automatic Transmission [45RFE]									
1									THRUST BEARING, Needle Roller
	4799 469	1	J				DGQ		
	4799 459	1	T				DGQ		
2									HUB AND SHAFT, Underdrive Clutch
	4799 546	1	J				DGQ		
		1	T				DGQ		
3									SNAP RING, Transmission
	4799 760	AR	J				DGQ		
		1	T				DGQ		
4									PLATE, Transmission Clutch Reaction
	4799 108AD	AR	J				DGQ		
		AR	T				DGQ		
5									SNAP RING, PKG 05013090AA, (NOT SERVICED) (Not Serviced)
6									DISC, Clutch, PKG 05013090AA, (NOT SERVICED) (Not Serviced)
7									PLATE, PKG 05013090AA, (NOT SERVICED) (Not Serviced)
-8									PLATE, Transmission Clutch Reaction
	4799 667	1	J				DGQ		
		1	T				DGQ		
-9									PLATE, Transmission Clutch Reaction
	4799 687AB	1	J				DGQ		
		1	T				DGQ		

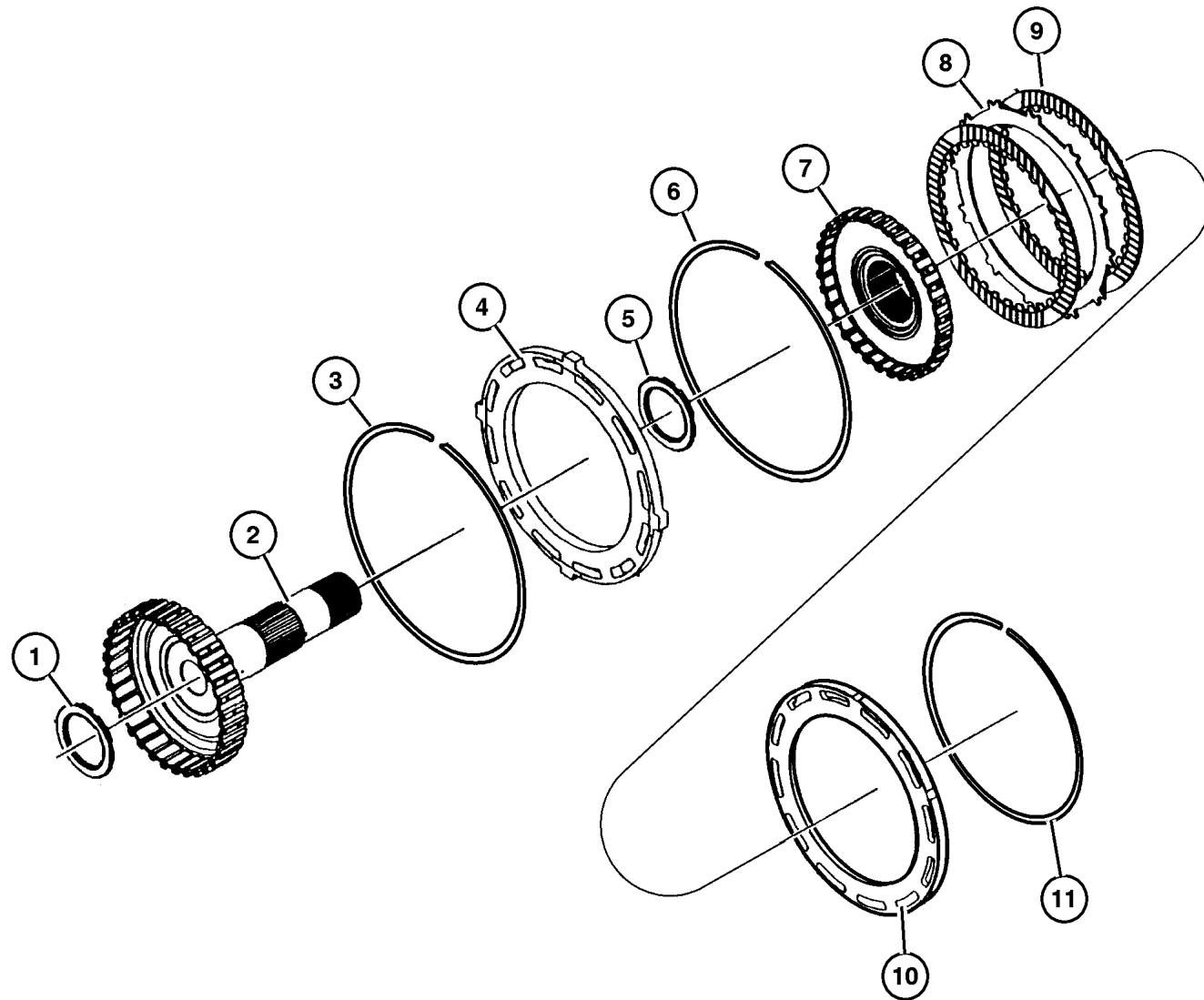
JEEP GRAND CHEROKEE (WJ)

SERIES	LINE	BODY	ENGINE	TRANSMISSION
H = Laredo	J = 4WD	74 = 4 Door	ERH = 4.0L, Power Tech I-6	DGK = 4 Speed Auto, 42RE
M = Sport	T = 2WD		EVA = 4.7L Power Tech V8	DGQ = 5 Speed Auto, 45RFE
P = Limited			EVC = 4.7L HO V8 MPI	DG0 = All Automatic Trans
S = Overland			ER0 = All 4.0L 6 Cyl Gas	
			EVO = All 4.7l Gas	

AR = Use as required - = Non illustrated part # = New this model year

December 1, 2003

Overdrive [DGQ]
Figure 45RFE-430



ITEM	PART NUMBER	QTY	LINE	SERIES	BODY	ENGINE	TRANS	TRIM	DESCRIPTION
NOTE:									
Sales Codes									
[DGQ] = 5 Speed Automatic Transmission [45RFE]									
1	4799 469	1	J				DGQ		THRUST BEARING, Needle Roller
	4799 459	1	T				DGQ		
2	4799 550	1	J				DGQ		HUB AND SHAFT, Overdrive Clutch
		1	T				DGQ		
3	4799 118	1	J				DGQ		SNAP RING, Overdrive Clutch
		1	T				DGQ		
4	4799 116AB	1	J				DGQ		PLATE, Clutch Pressure
		1	T				DGQ		
5	4799 469	1	J				DGQ		THRUST BEARING, Needle Roller
	4799 459	1	T				DGQ		
6	4799 117	1	J				DGQ		SNAP RING, Transmission
		1	T				DGQ		
7	4799 556	1	J				DGQ		HUB AND SHAFT, Reverse Clutch
		1	T				DGQ		
8									PLATE, PKG 05013090AA, (NOT SERVICED) (Not Serviced)
9									DISC, Clutch, PKG 05013090AA, (NOT SERVICED) (Not Serviced)
10									PLATE, Transmission Clutch Reaction
	4799 121	1	J				DGQ		
		1	T				DGQ		
11									SNAP RING, PKG 05013090AA, (NOT SERVICED) (Not Serviced)

JEEP GRAND CHEROKEE (WJ)

SERIES	LINE	BODY	ENGINE	TRANSMISSION
H = Laredo	J = 4WD	74 = 4 Door	ERH = 4.0L, Power Tech I-6	DGK = 4 Speed Auto, 42RE
M = Sport	T = 2WD		EVA = 4.7L Power Tech V8	DGQ = 5 Speed Auto, 45RFE
P = Limited			EVC = 4.7L HO V8 MPI	DG0 = All Automatic Trans
S = Overland			ER0 = All 4.0L 6 Cyl Gas	
			EVO = All 4.7L Gas	

AR = Use as required - = Non illustrated part # = New this model year

December 1, 2003

**2/4 Clutch Retainer [DGQ]
Figure 45RFE-440**

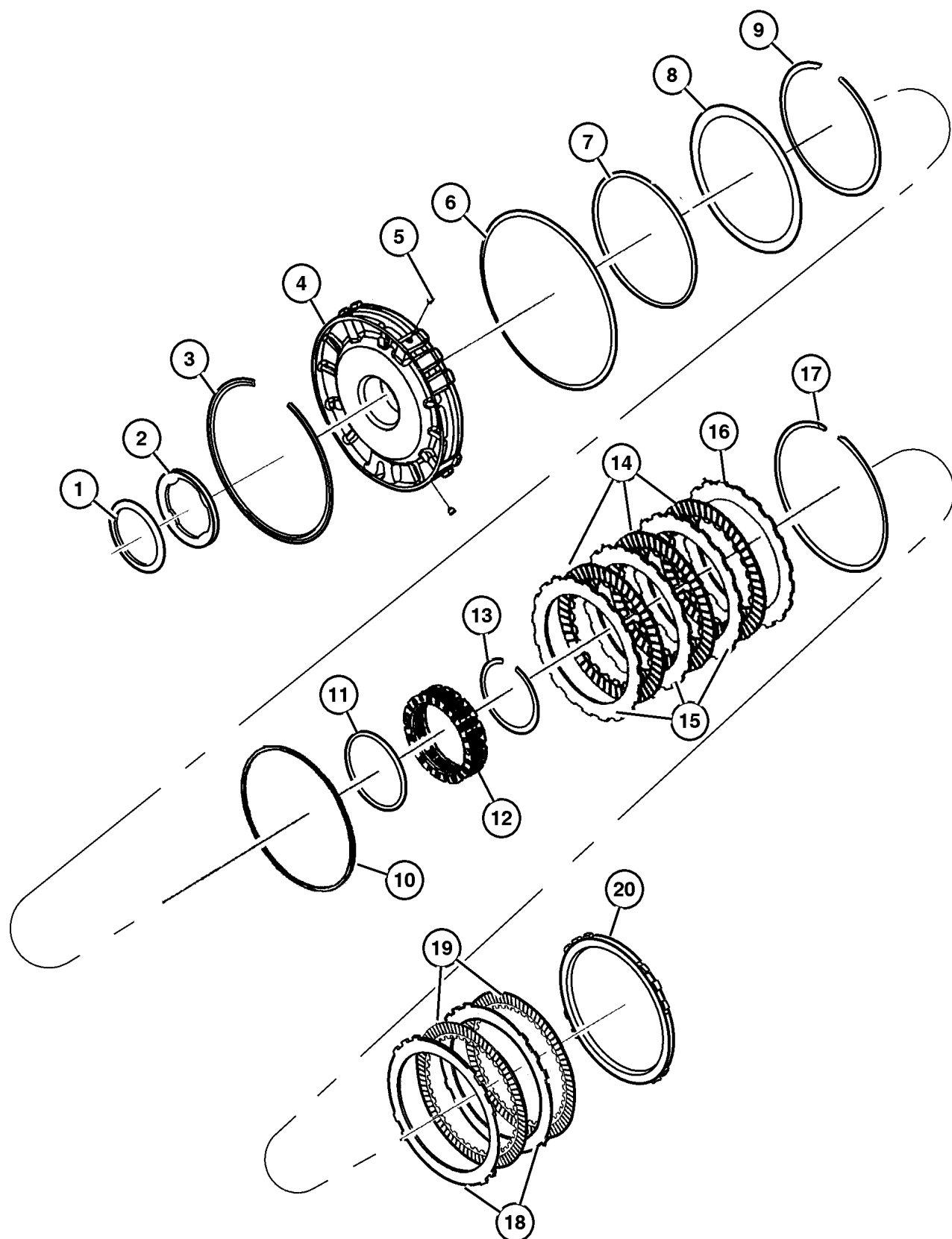
ITEM	PART NUMBER	QTY	LINE	SERIES	BODY	ENGINE	TRANS	TRIM	DESCRIPTION
NOTE:									
Sales Codes									
[DGQ] = 5 Speed Automatic Transmission [45RFE]									
1									THRUST BEARING, Needle Roller
	4799 936AB	1	J				DGQ		
		1	T				DGQ		
2									PLATE, Clutch Hub Thrust, PKG 05013093AB, (NOT SERVICED) (Not Serviced)
3	4799 680AB	1	J				DGQ		SNAP RING, Transmission
		1	T				DGQ		
4									RETAINER, Transmission 2nd and 4th Clutch Piston
	4799 498AB	1	J				DGQ		
		1	T				DGQ		
5									BLEED ORIFICE, Transmission
	4799 086	1	J				DGQ		
		1	T				DGQ		
6	4799 174	1	J				DGQ		SNAP RING, Transmission
		1	T				DGQ		
7									RING, PKG 05013093AB, (NOT SERVICED) (Not Serviced)
8									SPRING, 2nd And 4th Clutch Piston
	4799 521	1	J				DGQ		
		1	T				DGQ		
9	4799 522AB	1	J				DGQ		SNAP RING, Transmission
		1	T				DGQ		
10									RING, PKG 05013093AB, (NOT SERVICED) (Not Serviced)
11									RING, PKG 05013093AB, (NOT SERVICED) (Not Serviced)
12	4799 527AB	1	J				DGQ		SPRING, 2nd And 4th Clutch Piston
		1	T				DGQ		
13	4799 528AB	1	J				DGQ		SNAP RING, Transmission
		1	T				DGQ		
14									DISC, Clutch, PKG 05013087AA, (NOT SERVICED) (Not Serviced)

JEEP GRAND CHEROKEE (WJ)

SERIES	LINE	BODY	ENGINE	TRANSMISSION
H = Laredo	J = 4WD	74 = 4 Door	ERH = 4.0L, Power Tech I-6	DGK = 4 Speed Auto, 42RE
M = Sport	T = 2WD		EVA = 4.7L Power Tech V8	DGQ = 5 Speed Auto, 45RFE
P = Limited			EVC = 4.7L HO V8 MPI	DG0 = All Automatic Trans
S = Overland			ER0 = All 4.0L 6 Cyl Gas	
			EVO = All 4.7L Gas	

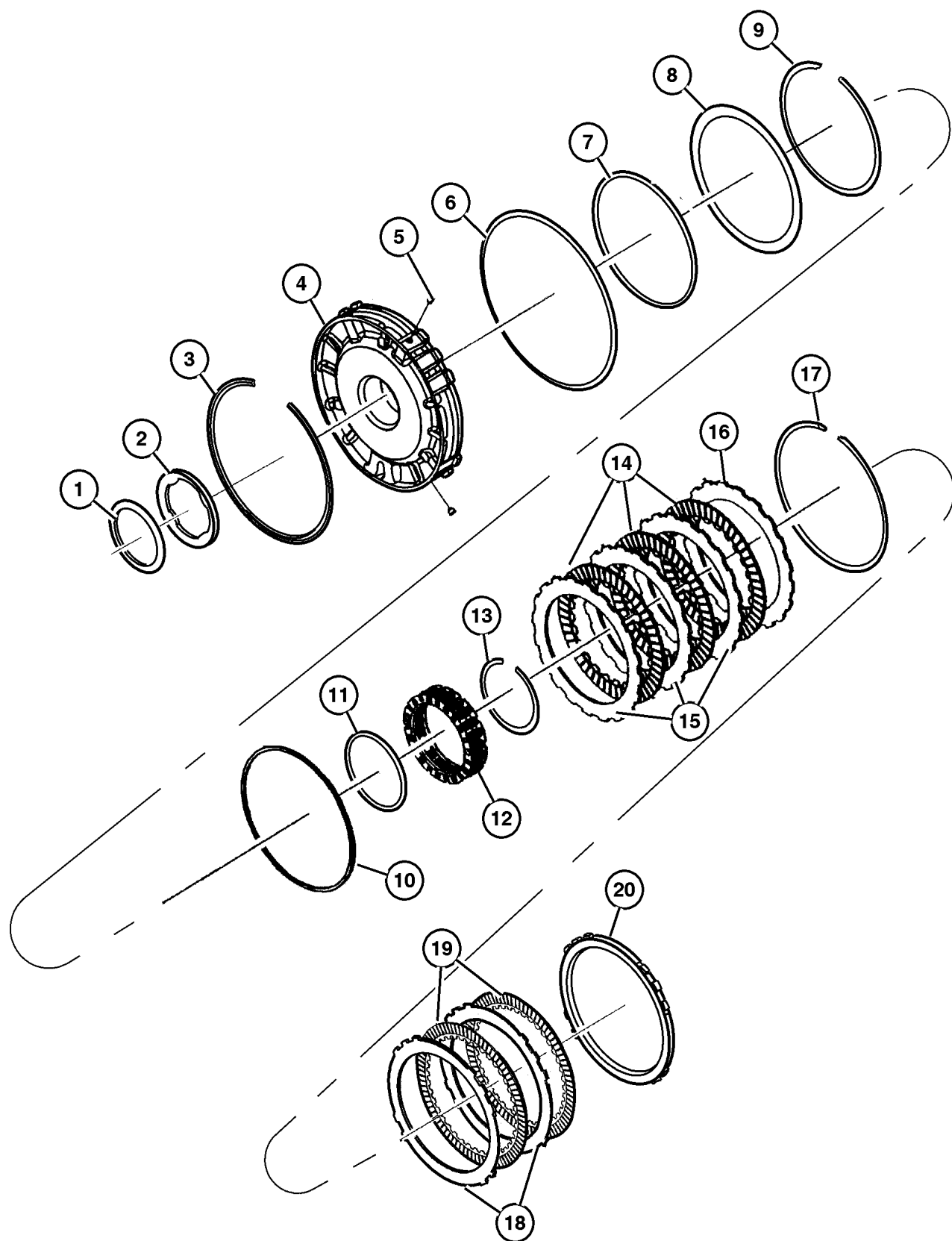
AR = Use as required - = Non illustrated part # = New this model year

December 1, 2003



**2/4 Clutch Retainer [DGQ]
Figure 45RFE-440**

ITEM	PART NUMBER	QTY	LINE	SERIES	BODY	ENGINE	TRANS	TRIM	DESCRIPTION
15									PLATE, Clutch Separator, PKG 05013087AA, (NOT SERVICED) (Not Serviced)
16									PLATE, Transmission Clutch Reaction
	4799 533	1	J				DGQ		
		1	T				DGQ		
17									SNAP RING, Transmission, PKG 05013087AA, (NOT SERVICED) (Not Serviced)
18									PLATE, PKG 05013087AA, (NOT SERVICED) (Not Serviced)
19									DISC, Clutch, PKG 05013087AA, (NOT SERVICED) (Not Serviced)
20									PLATE, PKG 05013087AA, (NOT SERVICED) (Not Serviced)
-21									CLUTCH, L/R Clutch
	4799 457AB	1	J				DGQ		
		1	T				DGQ		
-22									CLUTCH, Overrunning
	4799 465	1	J				DGQ		
		1	T				DGQ		
-23									RETAINER, Clutch
	5013 027AA	1	J				DGQ		
		1	T				DGQ		
-24									SPRING, Low/Reverse Clutch Piston
	4799 640	1	J				DGQ		
		1	T				DGQ		



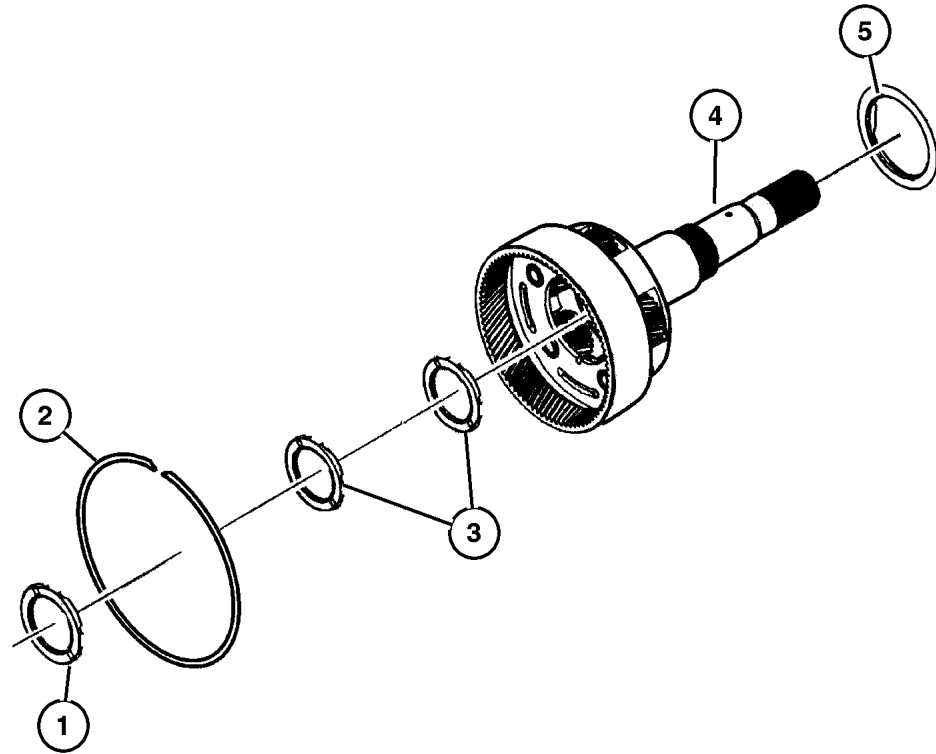
JEEP GRAND CHEROKEE (WJ)

SERIES	LINE	BODY	ENGINE	TRANSMISSION
H = Laredo	J = 4WD	74 = 4 Door	ERH = 4.0L, Power Tech I-6	DGK = 4 Speed Auto, 42RE
M = Sport	T = 2WD		EVA = 4.7L Power Tech V8	DGQ = 5 Speed Auto, 45RFE
P = Limited			EVC = 4.7L HO V8 MPI	DG0 = All Automatic Trans
S = Overland			ER0 = All 4.0L 6 Cyl Gas	
			EVO = All 4.7l Gas	

AR = Use as required - = Non illustrated part # = New this model year

December 1, 2003

**Input / Reverse Planetary [DGQ]
Figure 45RFE-450**



ITEM	PART NUMBER	QTY	LINE	SERIES	BODY	ENGINE	TRANS	TRIM	DESCRIPTION
NOTE:									
Sales Codes									
[DGQ] = 5 Speed Automatic Transmission [45RFE]									
1									THRUST BEARING, Needle Roller
	4799 459	1	J				DGQ		
		1	T				DGQ		
2									SNAP RING
	4799 247	1	J				DGQ		
		1	T				DGQ		
3									THRUST BEARING, Needle Roller
	52119 464AA	1	J				DGQ		
		1	T				DGQ		
4									CARRIER, Input Complete
	4799 500AE	1	T				DGQ		
		1	J				DGQ		
5									THRUST BEARING, Needle Roller
	4799 459	1	J				DGQ		
		1	T				DGQ		
-6									CARRIER, Reverse Complete
	4799 503AD	1	T				DGQ		
		1	J				DGQ		

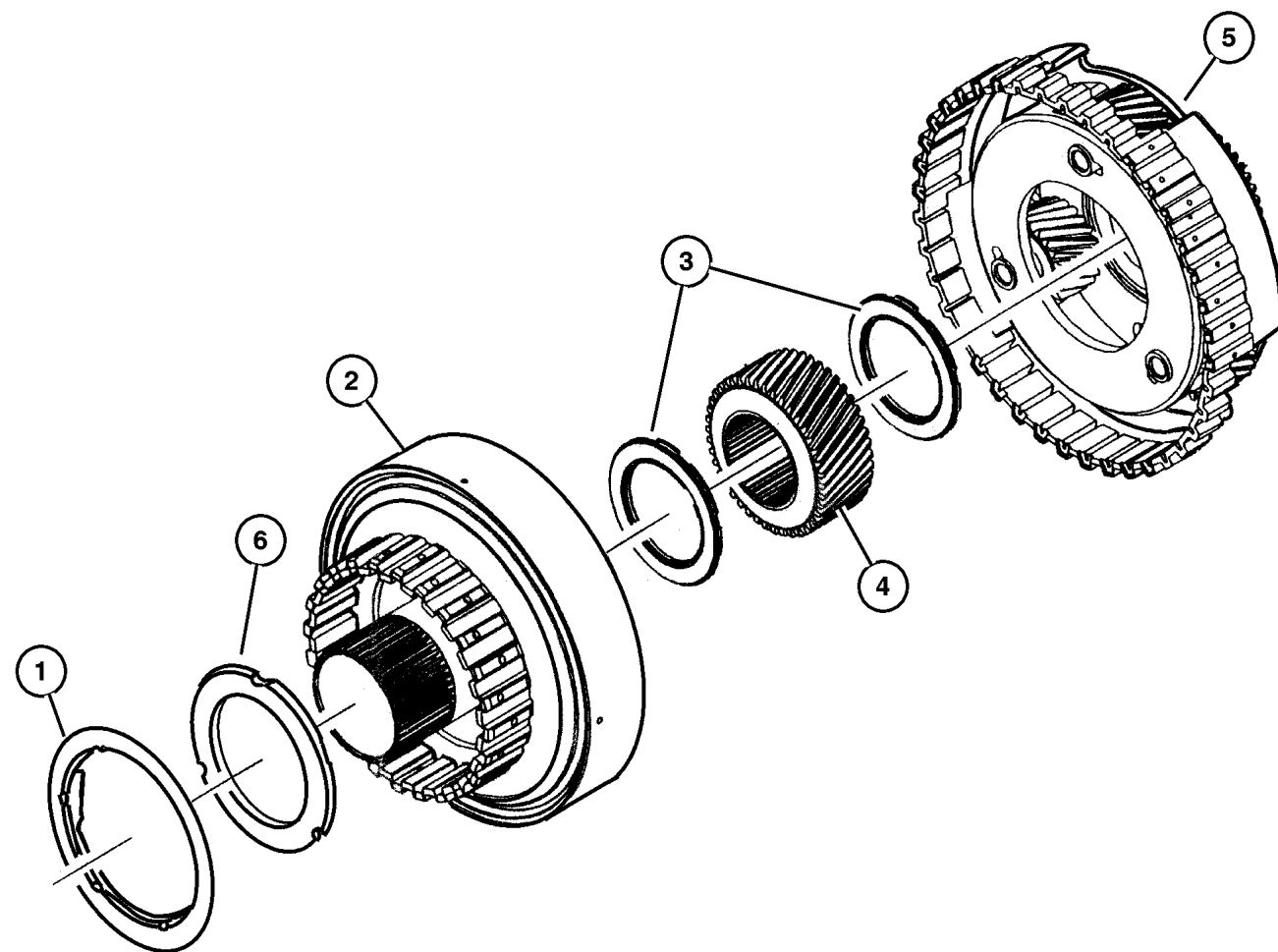
JEEP GRAND CHEROKEE (WJ)

SERIES	LINE	BODY	ENGINE	TRANSMISSION
H = Laredo	J = 4WD	74 = 4 Door	ERH = 4.0L, Power Tech I-6	DGK = 4 Speed Auto, 42RE
M = Sport	T = 2WD		EVA = 4.7L Power Tech V8	DGQ = 5 Speed Auto, 45RFE
P = Limited			EVC = 4.7L HO V8 MPI	DG0 = All Automatic Trans
S = Overland			ER0 = All 4.0L 6 Cyl Gas	
			EVO = All 4.7l Gas	

AR = Use as required - = Non illustrated part # = New this model year

December 1, 2003

**Reaction Annulus / Sun Gear [DGQ]
Figure 45RFE-460**



ITEM	PART NUMBER	QTY	LINE	SERIES	BODY	ENGINE	TRANS	TRIM	DESCRIPTION
NOTE:									
Sales Codes									
[DGQ] = 5 Speed Automatic Transmission [45RFE]									
1									THRUST BEARING, Needle Roller
	4799 459	1	J				DGQ		
		1	T				DGQ		
2									GEAR, Annulus
	4799 501	1	J				DGQ		
		1	T				DGQ		
3									THRUST BEARING, Needle Roller
	4799 469	1	J				DGQ		
	4799 459	1	T				DGQ		
4									GEAR, Reaction Sun
	4799 602	1	J				DGQ		
		1	T				DGQ		
5									CARRIER, Reaction Complete
	4799 619AB	1	J				DGQ		
		1	T				DGQ		
6									PLATE PACKAGE, Planetary Thrust
	5013 092AA	1	J				DGQ		
		1	T				DGQ		
-7									GEAR, Input Sun
	4799 586AB	1	T				DGQ		
		1	J				DGQ		

JEEP GRAND CHEROKEE (WJ)

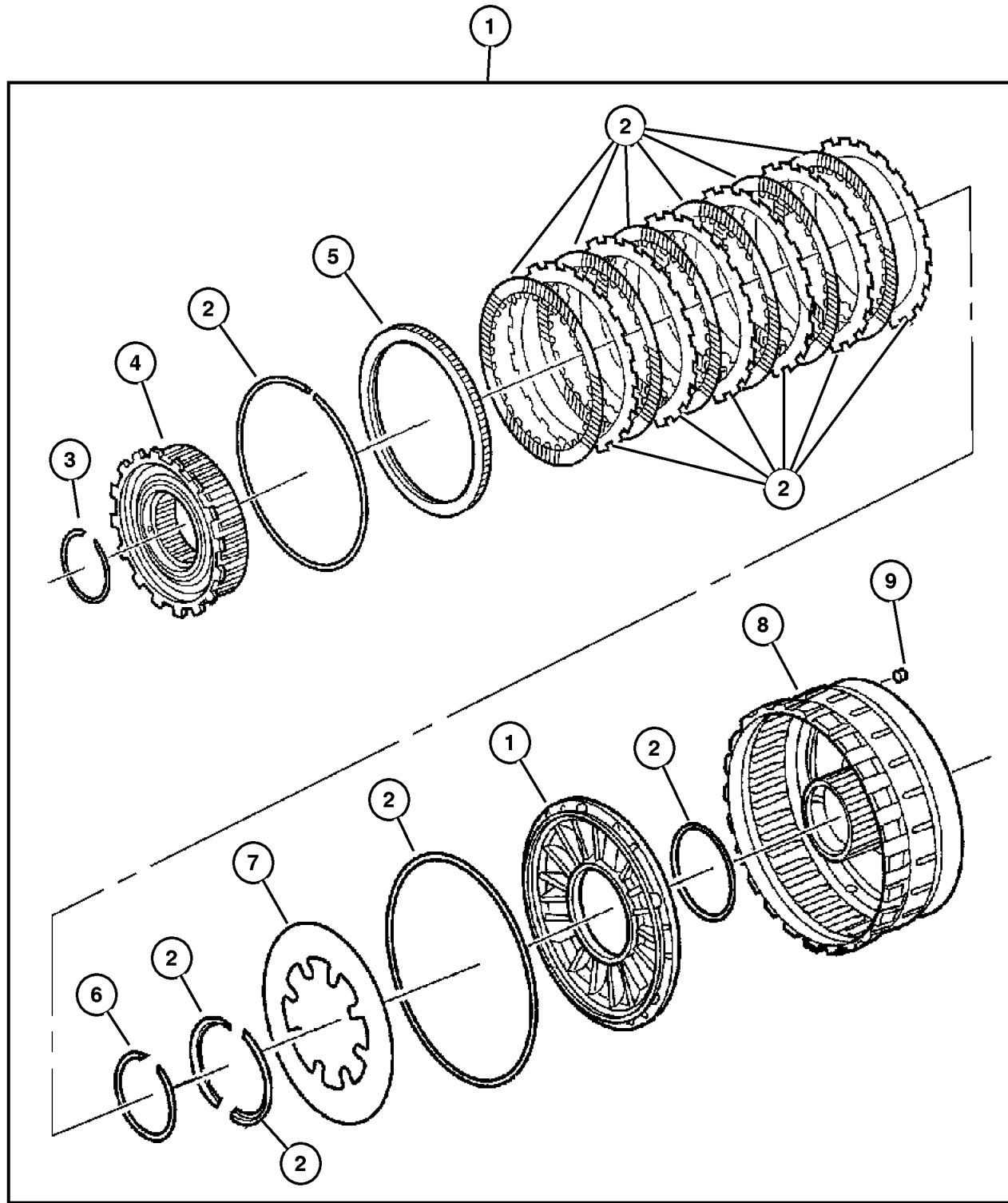
SERIES	LINE	BODY	ENGINE	TRANSMISSION
H = Laredo	J = 4WD	74 = 4 Door	ERH = 4.0L, Power Tech I-6	DGK = 4 Speed Auto, 42RE
M = Sport	T = 2WD		EVA = 4.7L Power Tech V8	DGQ = 5 Speed Auto, 45RFE
P = Limited			EVC = 4.7L HO V8 MPI	DG0 = All Automatic Trans
S = Overland			ER0 = All 4.0L 6 Cyl Gas	
			EVO = All 4.7l Gas	

AR = Use as required - = Non illustrated part # = New this model year

December 1, 2003

Low / Reverse Clutch [DGQ]
Figure 45RFE-470

ITEM	PART NUMBER	QTY	LINE	SERIES	BODY	ENGINE	TRANS	TRIM	DESCRIPTION
NOTE:									
Sales Codes									
[DGQ] = 5 Speed Automatic Transmission [45RFE]									
1									CLUTCH, L/R Clutch
	4799 457AB	1	J				DGQ		
		1	T				DGQ		
2									CLUTCH PACKAGE, Automatic Transmission, Low/Reverse
	5073 003AA	1	J				DGQ		
		1	T				DGQ		
3									SNAP RING
	4799 863AA	1	J				DGQ		
		1	T				DGQ		
4									CLUTCH, Overrunning
	4799 465	1	J				DGQ		
		1	T				DGQ		
5									PLATE, Transmission Clutch Reaction
	4799 667	1	J				DGQ		
		1	T				DGQ		
6									SNAP RING
	4799 863AA	1	J				DGQ		
		1	T				DGQ		
7									SPRING, Low/Reverse Clutch Piston
	4799 640	1	J				DGQ		
		1	T				DGQ		
8									RETAINER, Clutch
	5013 027AA	1	J				DGQ		
		1	T				DGQ		
9									BLEED ORIFICE, Transmission
	4799 086	1	J				DGQ		
		1	T				DGQ		



JEEP GRAND CHEROKEE (WJ)

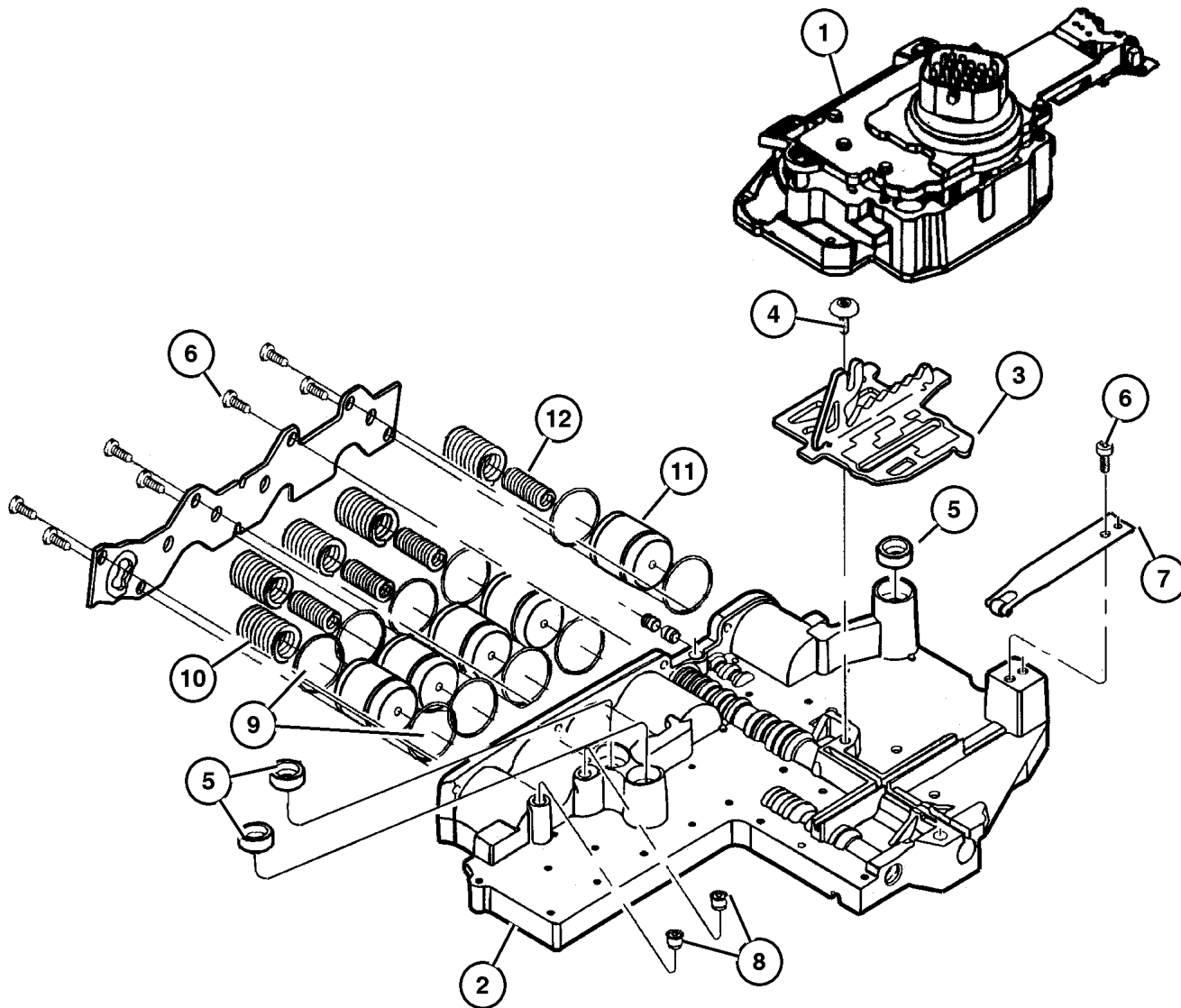
SERIES	LINE	BODY	ENGINE	TRANSMISSION
H = Laredo	J = 4WD	74 = 4 Door	ERH = 4.0L, Power Tech I-6	DGK = 4 Speed Auto, 42RE
M = Sport	T = 2WD		EVA = 4.7L Power Tech V8	DGQ = 5 Speed Auto, 45RFE
P = Limited			EVC = 4.7L HO V8 MPI	DG0 = All Automatic Trans
S = Overland			ER0 = All 4.0L 6 Cyl Gas	
			EVO = All 4.7l Gas	

AR = Use as required - = Non illustrated part # = New this model year

December 1, 2003

Valve Body [DGQ]
Figure 45RFE-710

ITEM	PART NUMBER	QTY	LINE	SERIES	BODY	ENGINE	TRANS	TRIM	DESCRIPTION
NOTE:									
Sales Codes									
[DGQ] = 5 Speed Automatic Transmission [45RFE]									
1									SOLENOID, Transmission
	4799 934AD	1	J				DGQ		
		1	T				DGQ		
2									VALVE BODY, Transfer Plate and Valve
	5080 732AA	1	J				DGQ		
		1	T				DGQ		
3									PLATE, Manual Valve Cam
	4799 654	1	J				DGQ		
		1	T				DGQ		
4									SCREW, Shoulder/Truss, M5x.8x12.5
	6501 710	1	J				DGQ		
		1	T				DGQ		
5									SEAL, Clutch Feed
	4799 778	3	J				DGQ		
		3	T				DGQ		
6									SCREW, Pan Head, M5 x 0.8 x 12.60
	6503 232	1	J				DGQ		
		2	T				DGQ		
7									DETENT, Valve Body
	52119 501AA	1	J				DGQ		
		1	T				DGQ		
8									BLEED ORIFICE, Transmission
	4799 086	1	J				DGQ		
		1	T				DGQ		
9									SEAL, Accumulator
	4446 544	10	J				DGQ		
		10	T				DGQ		
10									SPRING, Accumulator
	4471 880	5	J				DGQ		
		5	T				DGQ		
11									PISTON, 2nd and 4th Accumulator
	4446 620	5	J				DGQ		
	4446 620AC	5	T				DGQ		
12									SPRING, Accumulator
	4567 575	4	J				DGQ		



JEEP GRAND CHEROKEE (WJ)

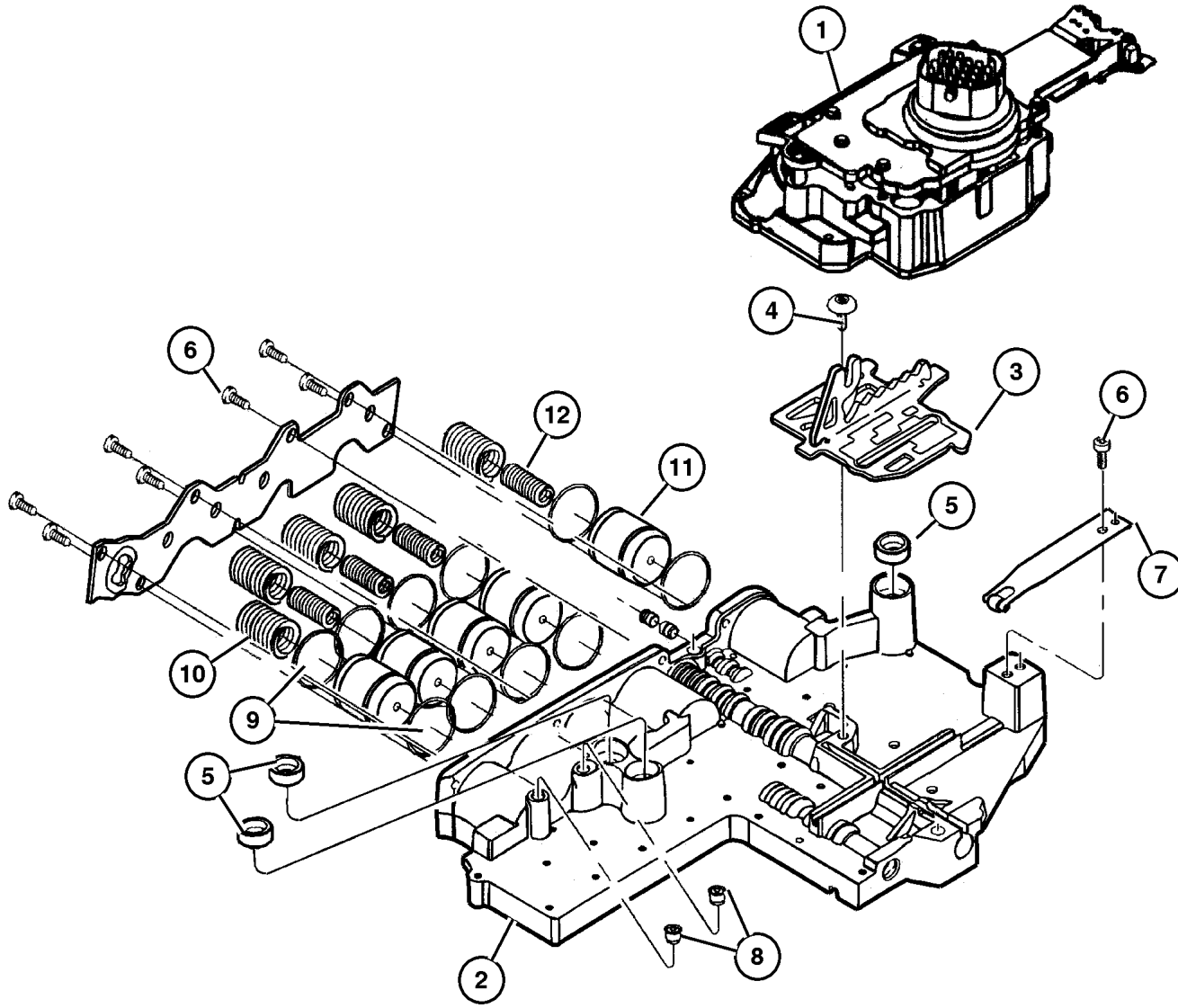
SERIES	LINE	BODY	ENGINE	TRANSMISSION
H = Laredo	J = 4WD	74 = 4 Door	ERH = 4.0L, Power Tech I-6	DGK = 4 Speed Auto, 42RE
M = Sport	T = 2WD		EVA = 4.7L Power Tech V8	DGQ = 5 Speed Auto, 45RFE
P = Limited			EVC = 4.7L HO V8 MPI	DG0 = All Automatic Trans
S = Overland			ER0 = All 4.0L 6 Cyl Gas	
			EVO = All 4.7L Gas	

AR = Use as required - = Non illustrated part # = New this model year

December 1, 2003

Valve Body [DGQ]
Figure 45RFE-710

ITEM	PART NUMBER	QTY	LINE	SERIES	BODY	ENGINE	TRANS	TRIM	DESCRIPTION
		4	T				DGQ		
-13	4446 602	7	J				DGQ		BALL, Check
		7	T				DGQ		

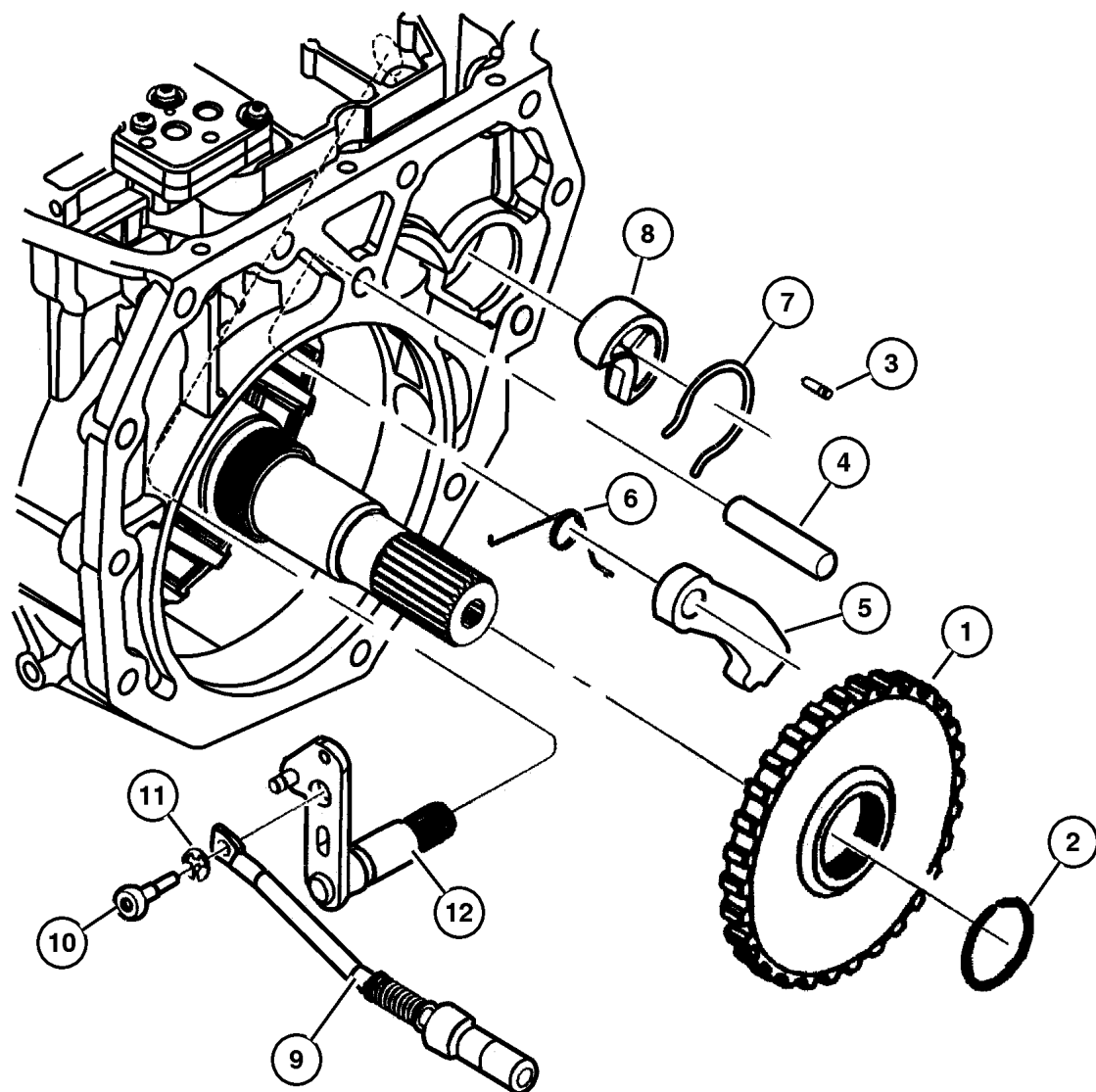


JEEP GRAND CHEROKEE (WJ)				
SERIES	LINE	BODY	ENGINE	TRANSMISSION
H = Laredo	J = 4WD	74 = 4 Door	ERH = 4.0L, Power Tech I-6	DGK = 4 Speed Auto, 42RE
M = Sport	T = 2WD		EVA = 4.7L Power Tech V8	DGQ = 5 Speed Auto, 45RFE
P = Limited			EVC = 4.7L HO V8 MPI	DG0 = All Automatic Trans
S = Overland			ER0 = All 4.0L 6 Cyl Gas	
			EVO = All 4.7l Gas	

AR = Use as required - = Non illustrated part # = New this model year

December 1, 2003

**Parking Sprag [DGQ]
Figure 45RFE-720**



ITEM	PART NUMBER	QTY	LINE	SERIES	BODY	ENGINE	TRANS	TRIM	DESCRIPTION
NOTE: Sales Codes [DGQ] = 5 Speed Automatic Transmission [45RFE]									
1	4799 493AB	1	T				DGQ		SPRAG, Transmission Parking
		1	J				DGQ		
2	4799 704	1	J				DGQ		SNAP RING, Transmission
		1	T				DGQ		
3	0456 636	1	J				DGQ		PIN
		1	T				DGQ		
4	4799 450	1	J				DGQ		SHAFT, Parking Pawl
		1	T				DGQ		
5	4799 744AD	1	J				DGQ		PAWL, Parking Sprag
		1	T				DGQ		
6	4799 451	1	J				DGQ		SPRING, Torsion
		1	T				DGQ		
7	4799 313	1	J				DGQ		SNAP RING
		1	T				DGQ		
8	4799 774	1	J				DGQ		GUIDE, Parking Sprag Pawl
		1	T				DGQ		
9	4799 611AB	1	J				DGQ		ROD, Parking Sprag
		1	T				DGQ		
10	6504 548	1	J				DGQ		SCREW, M6x1x30
		1	T				DGQ		
11	6035 256	1	J				DGQ		SNAP RING, Rod
		1	T				DGQ		
12	4799 453	1	J				DGQ		LEVER, Shift Shaft
		1	T				DGQ		

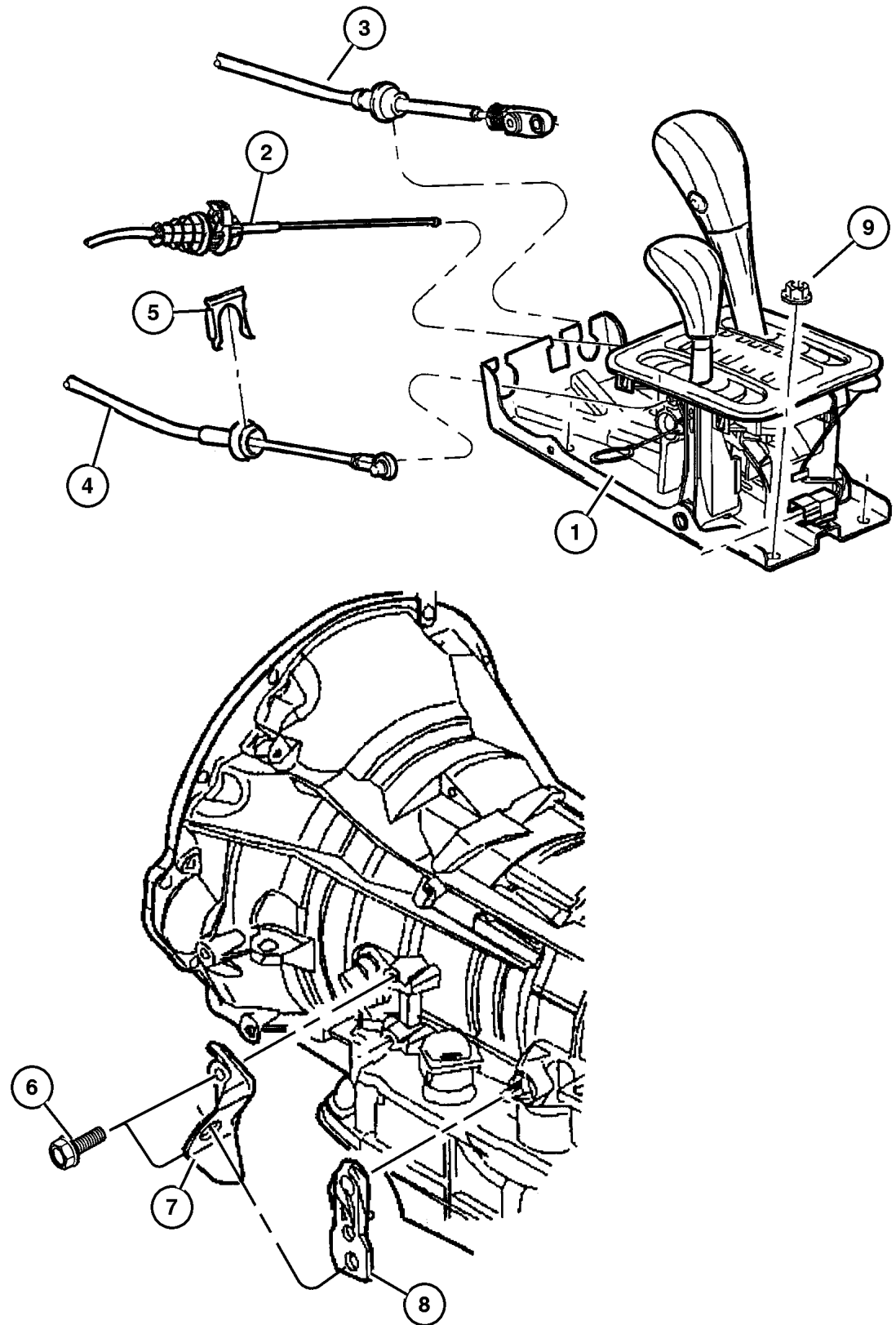
JEEP GRAND CHEROKEE (WJ)

SERIES	LINE	BODY	ENGINE	TRANSMISSION
H = Laredo	J = 4WD	74 = 4 Door	ERH = 4.0L, Power Tech I-6	DGK = 4 Speed Auto, 42RE
M = Sport	T = 2WD		EVA = 4.7L Power Tech V8	DGQ = 5 Speed Auto, 45RFE
P = Limited			EVC = 4.7L HO V8 MPI	DG0 = All Automatic Trans
S = Overland			ER0 = All 4.0L 6 Cyl Gas	
			EVO = All 4.7L Gas	

AR = Use as required - = Non illustrated part # = New this model year

December 1, 2003

Gearshift Controls [DGQ] Figure 45RFE-1210



ITEM	PART NUMBER	QTY	LINE	SERIES	BODY	ENGINE	TRANS	TRIM	DESCRIPTION
------	-------------	-----	------	--------	------	--------	-------	------	-------------

NOTES:

Sales Codes

[DGK] = 42RE 4 Speed Automatic Transmissions

[DGQ] = 45RFE 5 Speed Automatic Transmissions

[ER0] = All 4.0L Gas Engines

[EV0] = All 4.7L Gas Engines

[EVA] = Next Generation 4.7L Power Tech.

[EVC] = 4.7L Power Tech Ho

1									HOUSING AND LEVER, Shifter
	52109 670AC	1	T			ER0, EVA, EVC	DGK, DGQ		
	52109 671AC	1	J			ER0,	DGK,		With [DHP]
	52109 672AC	1	J			EV0	DGQ		With [DHF] Without [DSB]
	52109 673AD	1	J			ER0, EV0	DGK, DGQ		With [DHF] And [DSB]
2	52109 606AA	1					DG0		CABLE, Park Interlock
3	52104 060AF	1					DG0		CABLE, Gearshift Control
4	52104 218AB	1	J				DG0		CABLE, Gearshift Control
5	4269 830	2	J						CLIP, Cable
6	6101 758	2					DGQ		SCREW, Hex Head, M8x1.25x20
7	52104 371AC	1					DGQ		BRACKET, Shift Cable
8	52104 177AB	1					DGQ		LEVER, Manual Control
9	6505 245AA	4							NUT, M8x1.25

JEEP GRAND CHEROKEE (WJ)

SERIES	LINE	BODY	ENGINE	TRANSMISSION
H = Laredo	J = 4WD	74 = 4 Door	ERH = 4.0L, Power Tech I-6	DGK = 4 Speed Auto, 42RE
M = Sport	T = 2WD		EVA = 4.7L Power Tech V8	DGQ = 5 Speed Auto, 45RFE
P = Limited			EVC = 4.7L HO V8 MPI	DG0 = All Automatic Trans
S = Overland			ER0 = All 4.0L 6 Cyl Gas	
			EV0 = All 4.7L Gas	

AR = Use as required - = Non illustrated part # = New this model year

December 1, 2003

**Low Reverse Clutch [DGQ]
Figure 45RFE-1310**

LR CLUTCH PACKAGE 05013091aa

1

	D-ring, external (L/R piston outer)
	D-ring, internal (L/R piston inner)
(6)	Plate, clutch separator (1.74mm thk)
(6)	Disc assy, clutch (L/R)
	Snap ring, flat (1.5/1.6 thk)
	Snap ring, flat (2.03/2.13 thk)
	Snap ring, flat (2.54/2.68 thk)
(2)	Retainer, c-clip

ITEM	PART NUMBER	QTY	LINE	SERIES	BODY	ENGINE	TRANS	TRIM	DESCRIPTION
------	-------------	-----	------	--------	------	--------	-------	------	-------------

NOTE:

Sales Codes

[DGQ] = 5 Speed Automatic Transmission [45RFE]

1

CLUTCH PACKAGE, Automatic
Transmission, Low/Reverse

	5073 003AA	1	J				DGQ		
		1	T				DGQ		

JEEP GRAND CHEROKEE (WJ)

SERIES	LINE	BODY	ENGINE	TRANSMISSION
H = Laredo	J = 4WD	74 = 4 Door	ERH = 4.0L, Power Tech I-6	DGK = 4 Speed Auto, 42RE
M = Sport	T = 2WD		EVA = 4.7L Power Tech V8	DGQ = 5 Speed Auto, 45RFE
P = Limited			EVC = 4.7L HO V8 MPI	DG0 = All Automatic Trans
S = Overland			ER0 = All 4.0L 6 Cyl Gas	
			EVO = All 4.7l Gas	

AR = Use as required - = Non illustrated part # = New this model year

December 1, 2003

**Input Clutch Plate [DGQ]
Figure 45RFE-1320**

SELECTIVE THRUST PLATES 05013093aa
INPUT CLUTCH THRUST PLATE PKG

①

Thrust plate, input clutc 1.52 / 1.61
Thrust plate, input clutc 1.66 / 1.75
Thrust plate, input clutc 1.80 / 1.89
Thrust plate, input clutc 1.94 / 2.03
Thrust plate, input clutc 2.08 / 2.17
Thrust plate, input clutc 2.22 / 2.31
Thrust plate, input clutc 2.36 / 2.45
Thrust plate, input clutc 2.50 / 2.59
Thrust plate, input clutc 2.64 / 2.73
Thrust plate, input clutc 2.78 / 2.87
Thrust plate, input clutc 2.92 / 3.01
Thrust plate, input clutc 3.06 / 3.15
Thrust plate, input clutc 3.20 / 3.29
Thrust plate, input clutc 3.34 / 3.43
Thrust plate, input clutc 3.62 / 3.71

ITEM	PART NUMBER	QTY	LINE	SERIES	BODY	ENGINE	TRANS	TRIM	DESCRIPTION
------	-------------	-----	------	--------	------	--------	-------	------	-------------

NOTE:

Sales Codes

[DGQ] = 5 Speed Automatic Transmission [45RFE]

1

PLATE PACKAGE, Input Clutch Thrust

	5013 093AA	1	J				DGQ		
		1	T				DGQ		

JEEP GRAND CHEROKEE (WJ)

SERIES	LINE	BODY	ENGINE	TRANSMISSION
H = Laredo	J = 4WD	74 = 4 Door	ERH = 4.0L, Power Tech I-6	DGK = 4 Speed Auto, 42RE
M = Sport	T = 2WD		EVA = 4.7L Power Tech V8	DGQ = 5 Speed Auto, 45RFE
P = Limited			EVC = 4.7L HO V8 MPI	DG0 = All Automatic Trans
S = Overland			ER0 = All 4.0L 6 Cyl Gas	
			EVO = All 4.7l Gas	

AR = Use as required - = Non illustrated part # = New this model year

December 1, 2003

**Overhaul Package [DGQ]
Figure 45RFE-1330**

O/H seal/gasket package

05014221ac

1

	2&4 clutch package	
	Input clutch package	
	L/R clutch package	
	Sump filter & seal package	
	Cooler filter	
	fill tube sea	
	Frt pmp cover o-ring/seal assy	
	Rotating shaft seal,pmp hsg	
	Adapter seal, 4x4	
	Extension seal,4x2	
	Manual lever seal	
(2)	Speed sensor seal	
	Reaction supt ring seal	
	Rev O/D clutch filter	
(10)	Accumulator ring seal	
(3)	Valve body seal	
	Check valve o-ring	
	Solenoid insulator seal	
	T/C seal	

ITEM	PART NUMBER	QTY	LINE	SERIES	BODY	ENGINE	TRANS	TRIM	DESCRIPTION
------	-------------	-----	------	--------	------	--------	-------	------	-------------

NOTE:

Sales Codes

[DGQ] = 5 Speed Automatic Transmission [45RFE]

1 OVERHAUL PACKAGE, Transmission

	5014 221AJ	1	J				DGQ		
		1	T				DGQ		

JEEP GRAND CHEROKEE (WJ)

SERIES	LINE	BODY	ENGINE	TRANSMISSION
H = Laredo	J = 4WD	74 = 4 Door	ERH = 4.0L, Power Tech I-6	DGK = 4 Speed Auto, 42RE
M = Sport	T = 2WD		EVA = 4.7L Power Tech V8	DGQ = 5 Speed Auto, 45RFE
P = Limited			EVC = 4.7L HO V8 MPI	DG0 = All Automatic Trans
S = Overland			ER0 = All 4.0L 6 Cyl Gas	
			EVO = All 4.7l Gas	

AR = Use as required - = Non illustrated part # = New this model year

December 1, 2003

Input Clutch [DGQ]
Figure 45RFE-1340

INPUT CLUTCH PACKAGE

05013090aa

1

	O-ring, large (2.62mm x 79.84 ID,gm)
	O-ring, small (2.62mm x 70.56 ID,red)
(2)	Seal, internal lip
(2)	Ring seal, l-shaft
	O-ring, piston inner (2.62mm x 93.54 ID)
(5)	Plate, clutch separator (1.74mm thk)
(4)	Disc assy, clutch (u/d clutch)
(4)	Disc assy, clutch (o/d clutch)
(3)	PLate, clutch separator (2.21mm thk, O/D)
(2)	Disc assy, clutch (rev clutch)
	Snap ring,tapered, internal butterfly end
	Snap ring, flat (1.5/1.6 thk)
	Snap ring, flat (1.80/1.90 thk)
	Snap ring, flat (2.15/2.25 thk)
	Piston & seal, underdrive
	Piston & seal, underdrive balance

ITEM	PART NUMBER	QTY	LINE	SERIES	BODY	ENGINE	TRANS	TRIM	DESCRIPTION
------	-------------	-----	------	--------	------	--------	-------	------	-------------

NOTE:

Sales Codes

[DGQ] = 5 Speed Automatic Transmission [45RFE]

1

CLUTCH PACKAGE, Automatic
Transmission, Input

	5013 090AC	1	J				DGQ		
		1	T				DGQ		

JEEP GRAND CHEROKEE (WJ)

SERIES	LINE	BODY	ENGINE	TRANSMISSION
H = Laredo	J = 4WD	74 = 4 Door	ERH = 4.0L, Power Tech I-6	DGK = 4 Speed Auto, 42RE
M = Sport	T = 2WD		EVA = 4.7L Power Tech V8	DGQ = 5 Speed Auto, 45RFE
P = Limited			EVC = 4.7L HO V8 MPI	DG0 = All Automatic Trans
S = Overland			ER0 = All 4.0L 6 Cyl Gas	
			EVO = All 4.7l Gas	

AR = Use as required - = Non illustrated part # = New this model year

December 1, 2003

**Planetary Plate [DGQ]
Figure 45RFE-1350**

**SELECTIVE THRUST PLATES
PLANETARY THRUST PLATE PKG 05013092aa**

	Thrust plate, planetary	1.62 / 1.75
	Thrust plate, planetary	1.81 / 1.94
	Thrust plate, planetary	1.96 / 2.09
	Thrust plate, planetary	2.11 / 2.24
	Thrust plate, planetary	2.26 / 2.39
	Thrust plate, planetary	2.41 / 2.54
	Thrust plate, planetary	2.56 / 2.69
	Thrust plate, planetary	2.71 / 2.84
	Thrust plate, planetary	2.86 / 2.99
	Thrust plate, planetary	3.01 / 3.14
	Thrust plate, planetary	3.16 / 3.29
	Thrust plate, planetary	3.31 / 3.44
	Thrust plate, planetary	3.46 / 3.59
	Thrust plate, planetary	3.61 / 3.74
	Thrust plate, planetary	3.76 / 3.89
	Thrust plate, planetary	3.91 / 4.04
	Thrust plate, planetary	4.06 / 4.19
	Thrust plate, planetary	4.21 / 4.34
	Thrust plate, planetary	4.36 / 4.49

①

ITEM	PART NUMBER	QTY	LINE	SERIES	BODY	ENGINE	TRANS	TRIM	DESCRIPTION
------	-------------	-----	------	--------	------	--------	-------	------	-------------

NOTE:

Sales Codes

[DGQ] = 5 Speed Automatic Transmission [45RFE]

1	5013 092AA	1	J				DGQ		PLATE PACKAGE, Planetary Thrust
		1	T				DGQ		
-2	4799 830AB	AR	J				DGQ		PLATE, Clutch Hub Thrust [1.94/2.03]
	4799 831AB	AR	T				DGQ		[2.08/2.17]
	4799 832AB	AR	T				DGQ		[2.22/2.31]
	4799 833AB	AR	T				DGQ		[2.36/2.45]
	4799 834AB	AR	T				DGQ		[2.50/2.59]
	4799 835AB	AR	T				DGQ		[2.64/2.73]
	4799 836AB	AR	T				DGQ		[2.78/2.87]
	4799 837AB	AR	T				DGQ		[2.92/3.01]
	4799 831AB	AR	J				DGQ		[2.08/2.17]
	4799 832AB	AR	J				DGQ		[2.22/2.31]
	4799 833AB	AR	J				DGQ		[2.36/2.45]
	4799 834AB	AR	J				DGQ		[2.50/2.59]
	4799 835AB	AR	J				DGQ		[2.64/2.73]
	4799 836AB	AR	J				DGQ		[2.78/2.87]
	4799 837AB	AR	J				DGQ		[2.92/3.01]
	4799 830AB	AR	T				DGQ		[1.94/2.03]
-3	4799 810AC	AR	J				DGQ		PLATE, Planetary [2.26/2.39]
	4799 843AC	AR	J				DGQ		[3.01/3.14]
	4799 810AC	AR	T				DGQ		[2.26/2.39]
	4799 811AC	AR	T				DGQ		[2.41/2.54]
	4799 812AC	AR	T				DGQ		[2.56/2.69]
	4799 813AC	AR	T				DGQ		[2.71/2.84]
	4799 814AC	AR	T				DGQ		[2.86/2.99]
	4799 816AC	AR	T				DGQ		[3.16/3.29]
	4799 817AC	AR	T				DGQ		[3.31/3.44]
	4799 818AC	AR	T				DGQ		[3.46/3.59]
	4799 819AC	AR	T				DGQ		[3.61/3.74]
	4799 811AC	AR	J				DGQ		[2.41/2.54]
	4799 843AC	AR	T				DGQ		[3.01/3.14]
	4799 812AC	AR	J				DGQ		[2.56/2.69]
	4799 813AC	AR	J				DGQ		[2.71/2.84]
	4799 814AC	AR	J				DGQ		[2.86/2.99]
	4799 816AC	AR	J				DGQ		[3.16/3.29]

JEEP GRAND CHEROKEE (WJ)

SERIES	LINE	BODY	ENGINE	TRANSMISSION
H = Laredo	J = 4WD	74 = 4 Door	ERH = 4.0L, Power Tech I-6	DGK = 4 Speed Auto, 42RE
M = Sport	T = 2WD		EVA = 4.7L Power Tech V8	DGQ = 5 Speed Auto, 45RFE
P = Limited			EVC = 4.7L HO V8 MPI	DG0 = All Automatic Trans
S = Overland			ER0 = All 4.0L 6 Cyl Gas	
			EVO = All 4.7L Gas	

AR = Use as required - = Non illustrated part # = New this model year

December 1, 2003

**Planetary Plate [DGQ]
Figure 45RFE-1350**

ITEM	PART NUMBER	QTY	LINE	SERIES	BODY	ENGINE	TRANS	TRIM	DESCRIPTION
	4799 817AC	AR	J				DGQ		[3.31/3.44]
	4799 818AC	AR	J				DGQ		[3.46/3.59]
	4799 819AC	AR	J				DGQ		[3.61/3.74]

**SELECTIVE THRUST PLATES
PLANETARY THRUST PLATE PKG 05013092aa**

Thrust plate, planetary	1.62 / 1.75
Thrust plate, planetary	1.81 / 1.94
Thrust plate, planetary	1.96 / 2.09
Thrust plate, planetary	2.11 / 2.24
Thrust plate, planetary	2.26 / 2.39
Thrust plate, planetary	2.41 / 2.54
Thrust plate, planetary	2.56 / 2.69
Thrust plate, planetary	2.71 / 2.84
Thrust plate, planetary	2.86 / 2.99
Thrust plate, planetary	3.01 / 3.14
Thrust plate, planetary	3.16 / 3.29
Thrust plate, planetary	3.31 / 3.44
Thrust plate, planetary	3.46 / 3.59
Thrust plate, planetary	3.61 / 3.74
Thrust plate, planetary	3.76 / 3.89
Thrust plate, planetary	3.91 / 4.04
Thrust plate, planetary	4.06 / 4.19
Thrust plate, planetary	4.21 / 4.34
Thrust plate, planetary	4.36 / 4.49

①

JEEP GRAND CHEROKEE (WJ)

SERIES	LINE	BODY	ENGINE	TRANSMISSION
H = Laredo	J = 4WD	74 = 4 Door	ERH = 4.0L, Power Tech I-6	DGK = 4 Speed Auto, 42RE
M = Sport	T = 2WD		EVA = 4.7L Power Tech V8	DGQ = 5 Speed Auto, 45RFE
P = Limited			EVC = 4.7L HO V8 MPI	DG0 = All Automatic Trans
S = Overland			ER0 = All 4.0L 6 Cyl Gas	
			EVO = All 4.7l Gas	

AR = Use as required - = Non illustrated part # = New this model year

December 1, 2003

**2 & 4 Clutch
Figure 45RFE-1360**

2&4 CLUTCH PACKAGE 05013087aa

(2)	Disc assy, clutch (2nd clutch)
(2)	Plate, clutch separator
	D-ring, external (2nd outer)
	D-ring, internal (2nd inner)
	D-ring, internal (4th outer)
	D-ring, internal (4th inner)
(3)	Plate, clutch separator (4th clutch)
(3)	Disc assy, clutch (4th clutch)
	Snap ring (4th, 1.74/1.84 thk)
	Snap ring (4th, 2.15/2.25 thk)
	Snap ring (4th, 2.56/2.66 thk)

1

ITEM	PART NUMBER	QTY	LINE	SERIES	BODY	ENGINE	TRANS	TRIM	DESCRIPTION
------	-------------	-----	------	--------	------	--------	-------	------	-------------

NOTE:

Sales Codes

[DGQ] = 5 Speed Automatic Transmission [45RFE]

1

CLUTCH PACKAGE, Automatic
Transmission, 2/4

	5013 087AC	1	J				DGQ		
		1	T				DGQ		

JEEP GRAND CHEROKEE (WJ)

SERIES	LINE	BODY	ENGINE	TRANSMISSION
H = Laredo	J = 4WD	74 = 4 Door	ERH = 4.0L, Power Tech I-6	DGK = 4 Speed Auto, 42RE
M = Sport	T = 2WD		EVA = 4.7L Power Tech V8	DGQ = 5 Speed Auto, 45RFE
P = Limited			EVC = 4.7L HO V8 MPI	DG0 = All Automatic Trans
S = Overland			ER0 = All 4.0L 6 Cyl Gas	
			EVO = All 4.7l Gas	

AR = Use as required - = Non illustrated part # = New this model year

December 1, 2003

Group – 242

Transfer Case Model 242

GROUP 242 - Transfer Case Model 242

Illustration Title

Group-Fig. No.

Transfer Case Assembly

Transfer Case Select Trac [DHP] Fig. 242-110

Case and Related Parts

Case and Related Parts Select Trac [DHP] Fig. 242-210

Gear Train

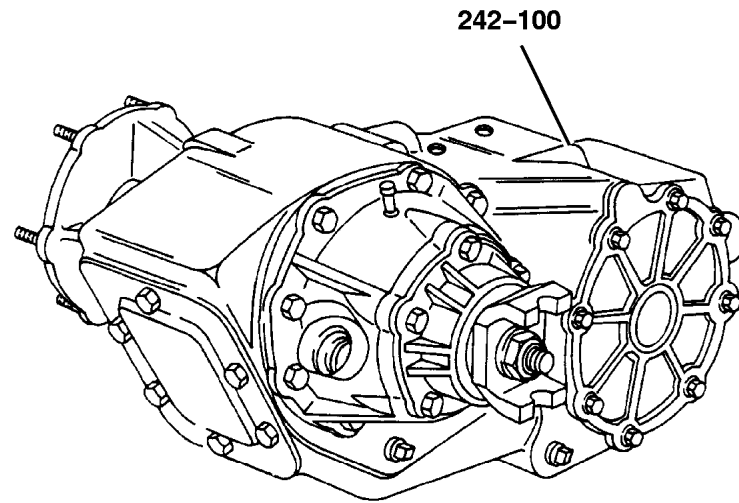
Gear Train Select Trac [DHP] Fig. 242-410

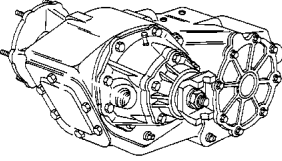
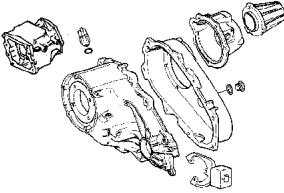
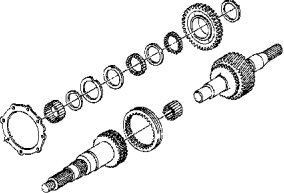
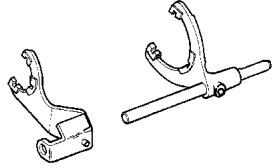

Fork and Rails

Fork and Rails Select Trac [DHP] Fig. 242-910

Gearshift Controls

Gearshift Controls Select Trac [DHP] Fig. 242-1210



<p>242-100 Transfer Case Assembly</p> 	<p>242-200 Case and Related Parts</p> 	<p>242-400 Gear Train</p> 	<p>242-900 Fork and Rails</p> 
<p>242-1200 Gearshift Controls</p> 			

**Transfer Case Select Trac [DHP]
Figure 242-110**

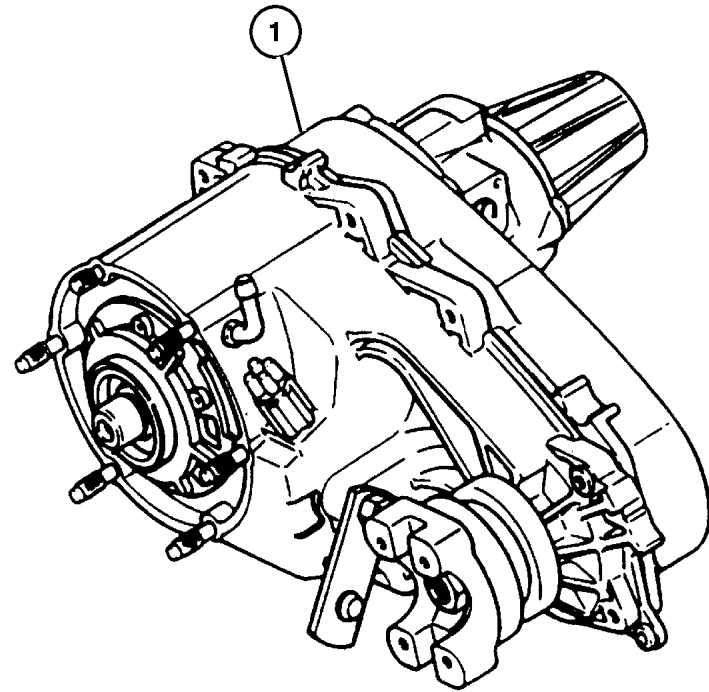
ITEM	PART NUMBER	QTY	LINE	SERIES	BODY	ENGINE	TRANS	TRIM	DESCRIPTION
------	-------------	-----	------	--------	------	--------	-------	------	-------------

NOTES: Sales Codes

[ER0] = All 4.0L 6 Cylinder Gas Engines

[EV0] = All 4.7L Gas Engines

1	52099 361AD	1	J			ER0			TRANSFER CASE, NP242
---	-------------	---	---	--	--	-----	--	--	----------------------



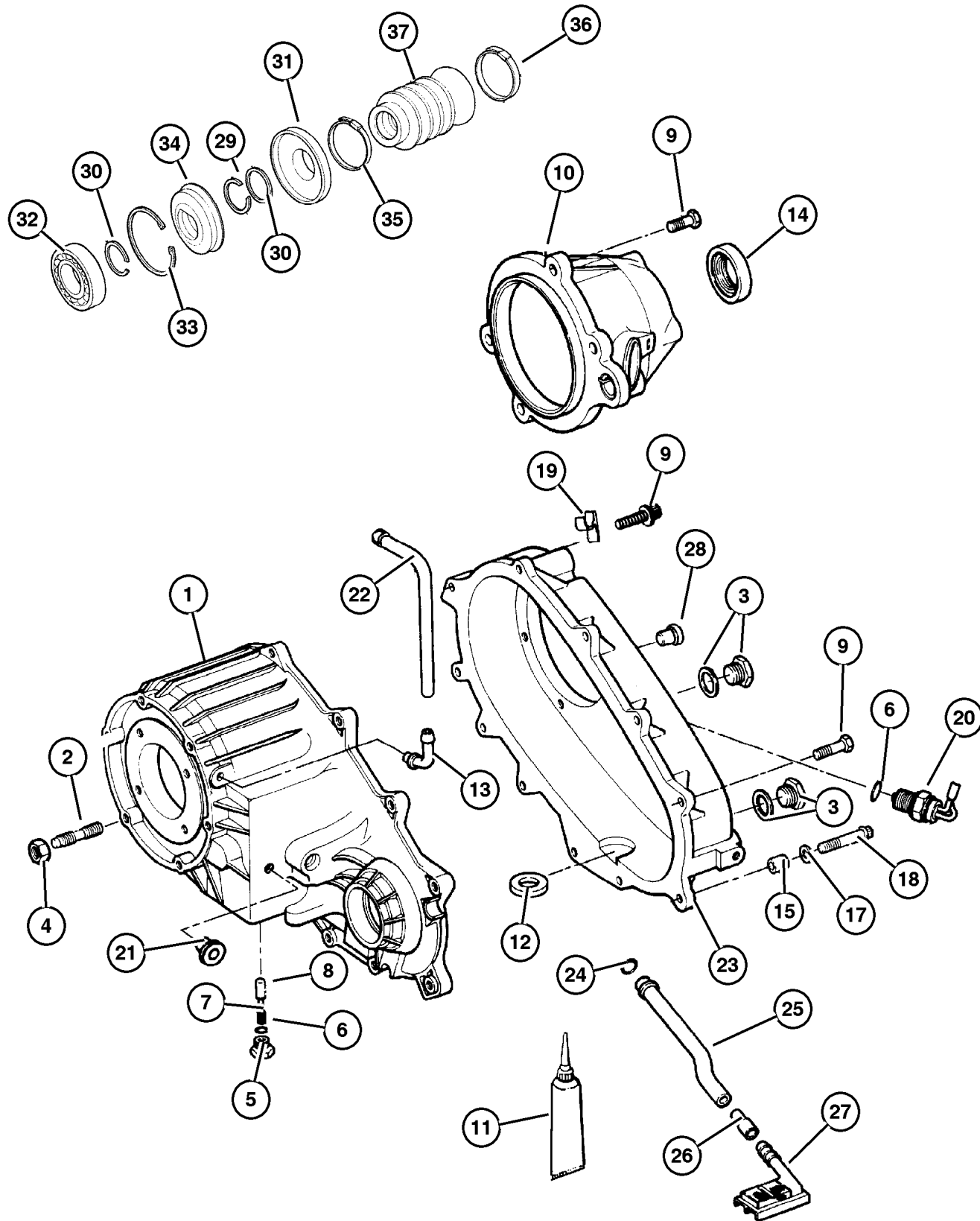
JEEP GRAND CHEROKEE (WJ)

SERIES	LINE	BODY	ENGINE	TRANSMISSION
H = Laredo	J = 4WD	74 = 4 Door	ERH = 4.0L, Power Tech I-6	DGK = 4 Speed Auto, 42RE
M = Sport	T = 2WD		EVA = 4.7L Power Tech V8	DGQ = 5 Speed Auto, 45RFE
P = Limited			EVC = 4.7L HO V8 MPI	DG0 = All Automatic Trans
S = Overland			ER0 = All 4.0L 6 Cyl Gas	
			EV0 = All 4.7L Gas	

AR = Use as required - = Non illustrated part # = New this model year

December 1, 2003

**Case and Related Parts Select Trac [DHP]
Figure 242-210**



ITEM	PART NUMBER	QTY	LINE	SERIES	BODY	ENGINE	TRANS	TRIM	DESCRIPTION
------	-------------	-----	------	--------	------	--------	-------	------	-------------

NOTES: Sales Codes

[ER0] = All 4.0L 6 Cylinder Gas Engines

[EV0] = All 4.7L Gas Engines

1	5014 045AA	1	J			ER0			CASE, Transfer Front
2	4505 365	6	J			ER0			STUD
3	4856 641	1	J			ER0			PLUG, Oil Fill
4	6033 172	6	J						NUT AND WASHER, Hex, .375-24
5	4886 473AA	1	J			ER0			SCREW
6	4338 956	1	J			ER0			SEAL, Vacuum Switch
7	5003 445AA	1	J			ER0			SPRING, Poppet Plunger
8	5003 444AA	1	J			ER0			PLUNGER
9									BOLT, Transfer Case
	4210 617	6	J			ER0			
		4	J			ER0			
10	5012 347AA	1	J			ER0			RETAINER, Transfer Case Rear
11	5010 884AA	1	J			ER0			SEALANT, RTV
12	3681 601	1	J			ER0			MAGNET, Transmission
13	4796 910	1	J			ER0			VENT, Transfer Case
14	4798 117	1	J			ER0			SEAL, Output Shaft
15	4116 310	2	J			ER0			DOWEL, Transfer Case
-16	4638 953	1	J			ER0			DOWEL
17	4210 983	2	J			ER0			WASHER, Flat
18	4210 614	2	J			ER0			BOLT, Hex Flange Head
19									CLIP, (NOT REQUIRED)
20	5083 138AA	1	J			ER0			SWITCH, Transfer Case, 5 Position
21	0015 105	1	J			ER0			PLUG
22	52099 366AB	1	J			ER0			VENT, Transfer Case
23	4886 373AA	1	J			ER0			CASE, Transfer Case Rear
24	4338 942	1	J			ER0			SEAL, Oil
25	8350 3523	1	J			ER0			TUBE, Oil Pickup
26	4338 944	1	J			ER0			CONNECTOR, Oil Tube Pickup
27	4338 943	1	J			ER0			FILTER, Transfer Case Oil
28	J813 0979	3	J			ER0			BOLT, Twelve Point Head, M10x1.5x48
29									SNAP RING, (NOT REQUIRED)
30									WASHER, (NOT REQUIRED)
31	5016 615AA	1	J			ER0			SLINGER, Oil
32	4338 892	1	J			ER0			BEARING
33	4798 116	1	J			ER0			SNAP RING
34	4798 117	1	J			ER0			SEAL, Output Shaft
35	4798 121	1	J			ER0			CLAMP, Boot

JEEP GRAND CHEROKEE (WJ)

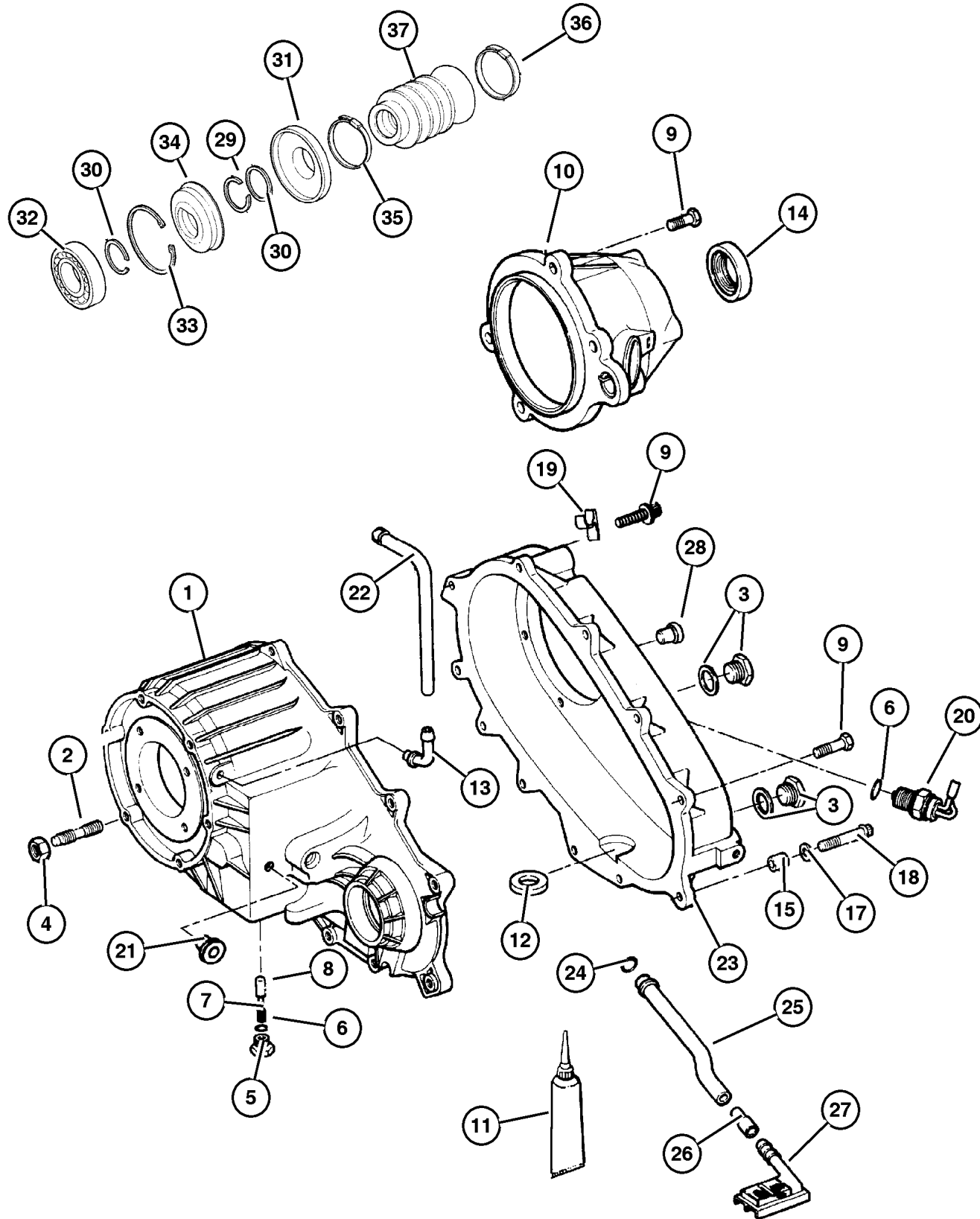
SERIES	LINE	BODY	ENGINE	TRANSMISSION
H = Laredo	J = 4WD	74 = 4 Door	ERH = 4.0L, Power Tech I-6	DGK = 4 Speed Auto, 42RE
M = Sport	T = 2WD		EVA = 4.7L Power Tech V8	DGQ = 5 Speed Auto, 45RFE
P = Limited			EVC = 4.7L HO V8 MPI	DG0 = All Automatic Trans
S = Overland			ER0 = All 4.0L 6 Cyl Gas	
			EV0 = All 4.7L Gas	

AR = Use as required - = Non illustrated part # = New this model year

December 1, 2003

Case and Related Parts Select Trac [DHP]
Figure 242-210

ITEM	PART NUMBER	QTY	LINE	SERIES	BODY	ENGINE	TRANS	TRIM	DESCRIPTION
36	4798 122	1	J			ER0			CLAMP, Boot
37	4798 123	1	J			ER0			BOOT, Driveshaft



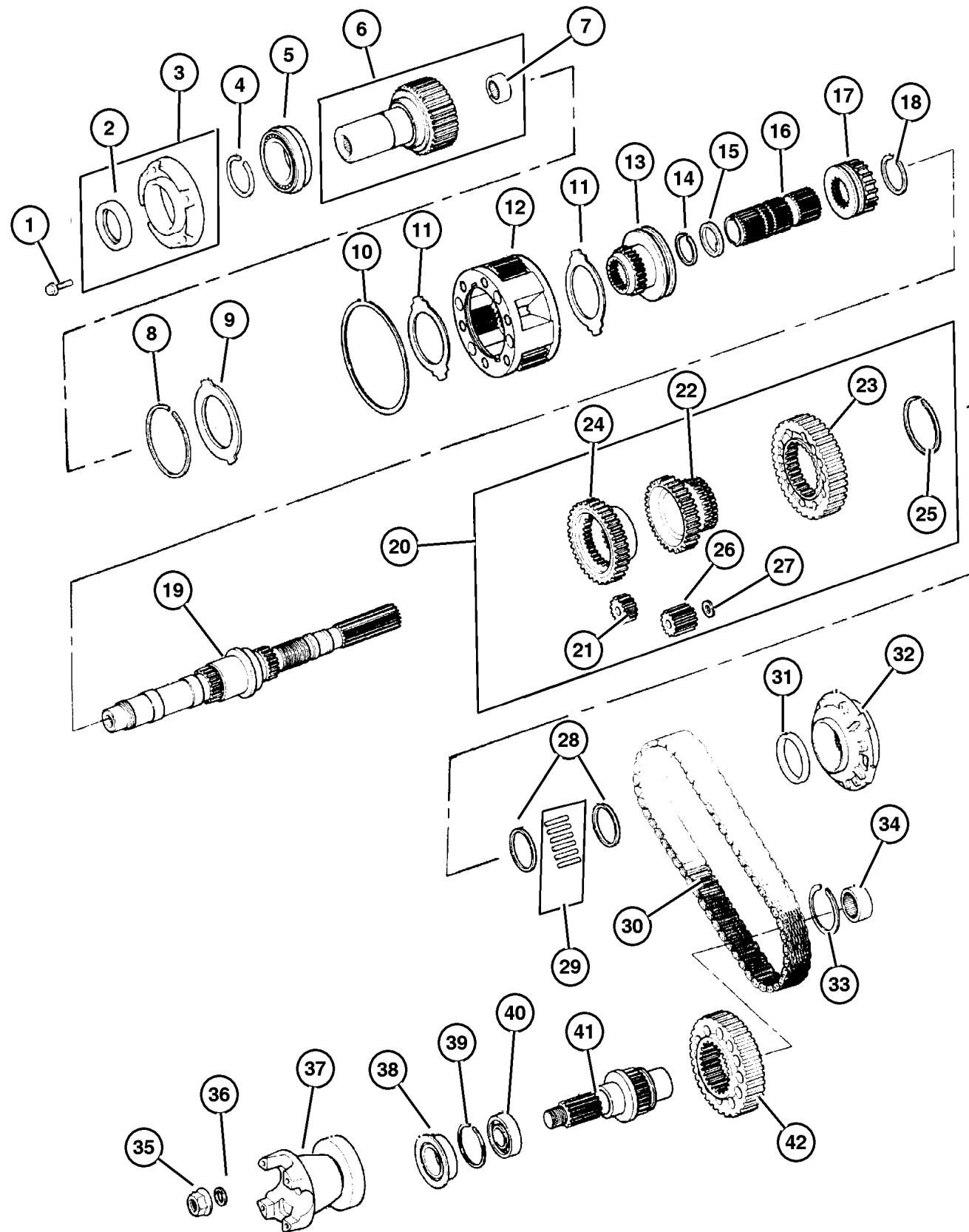
JEEP GRAND CHEROKEE (WJ)

SERIES	LINE	BODY	ENGINE	TRANSMISSION
H = Laredo	J = 4WD	74 = 4 Door	ERH = 4.0L, Power Tech I-6	DGK = 4 Speed Auto, 42RE
M = Sport	T = 2WD		EVA = 4.7L Power Tech V8	DGQ = 5 Speed Auto, 45RFE
P = Limited			EVC = 4.7L HO V8 MPI	DG0 = All Automatic Trans
S = Overland			ER0 = All 4.0L 6 Cyl Gas	
			EVO = All 4.7L Gas	

AR = Use as required - = Non illustrated part # = New this model year

December 1, 2003

**Gear Train Select Trac [DHP]
Figure 242-410**



ITEM	PART NUMBER	QTY	LINE	SERIES	BODY	ENGINE	TRANS	TRIM	DESCRIPTION
------	-------------	-----	------	--------	------	--------	-------	------	-------------

NOTES: Sales Codes

[DGQ] = Five Speed Automatic Transmission [45RFE]

[ER0] = All 4.0L 6 Cylinder Gas Engines

1	6501 371	5	J			ER0			BOLT, Retainer
2	5019 020AA	1	J			ER0			SEAL, Input
3	4338 973	1	J			ER0			EXTENSION, Transfer Case
4	0893 31A	1	J			ER0			SNAP RING
5	4746 155	1	J			ER0			BEARING, Input Gear
6	5003 446AA	1	J			ER0			GEAR, Input
7	8350 3507	1	J			ER0			BEARING, Input Shaft
8	4799 097	1	J				DGQ		SNAP RING
9	4338 909	1	J			ER0			RING
10	4219 065	1	J			ER0			SNAP RING, Annulus Gear
11	4338 908	1	J			ER0			THRUST WASHER, Planetary Carrier
12	4796 903AB	1	J			ER0			PLANETARY, Transfer Case
13	5003 746AA	1	J			ER0			SLEEVE, Shift Range
14	8350 3540	1	J			ER0			SNAP RING
15	8350 3539	1	J			ER0			WASHER, Intermediate Sleeve
16	4798 277	1	J			ER0			SHAFT, Intermediate
17	8350 3542	1	J			ER0			SLEEVE, Mode Synchronizer
18	8350 3537	1	J			ER0			SNAP RING
19	5016 614AA	1	J			ER0			MAINSHAFT, Transfer Case
20	8350 3529	1	J			ER0			DIFFERENTIAL, Transfer Case
21	8350 4170	3	J			ER0			GEAR, Planetary
22	8350 3531	1	J			ER0			SPROCKET, Transfer Case
23	8350 3531	1	J			ER0			SPROCKET, Transfer Case
24	8350 3530	1	J			ER0			GEAR, Differential Drive
25	8350 3532	1	J			ER0			SNAP RING
26	8350 4169	3	J			ER0			GEAR, Planetary
27	8350 4168	12	J			ER0			WASHER, Differential Gear
28									SPACER, Sprocket, (NOT REQUIRED)
29	5072 910AA	1	J			ER0			NEEDLE BEARING, Roller Cage, None
30	8350 4575	1	J			ER0			CHAIN, Transfer Case
31	4210 603	1	J			ER0			SEAL, Main Shaft
32	4338 936	1	J			ER0			PUMP, Transfer Case Oil
33	4167 991	1	J			ER0			SNAP RING, Bearing
34	4269 189	1	J			ER0			BEARING, Output Shaft
35	4167 924	1	J			ER0			NUT, Transfer Case Yoke

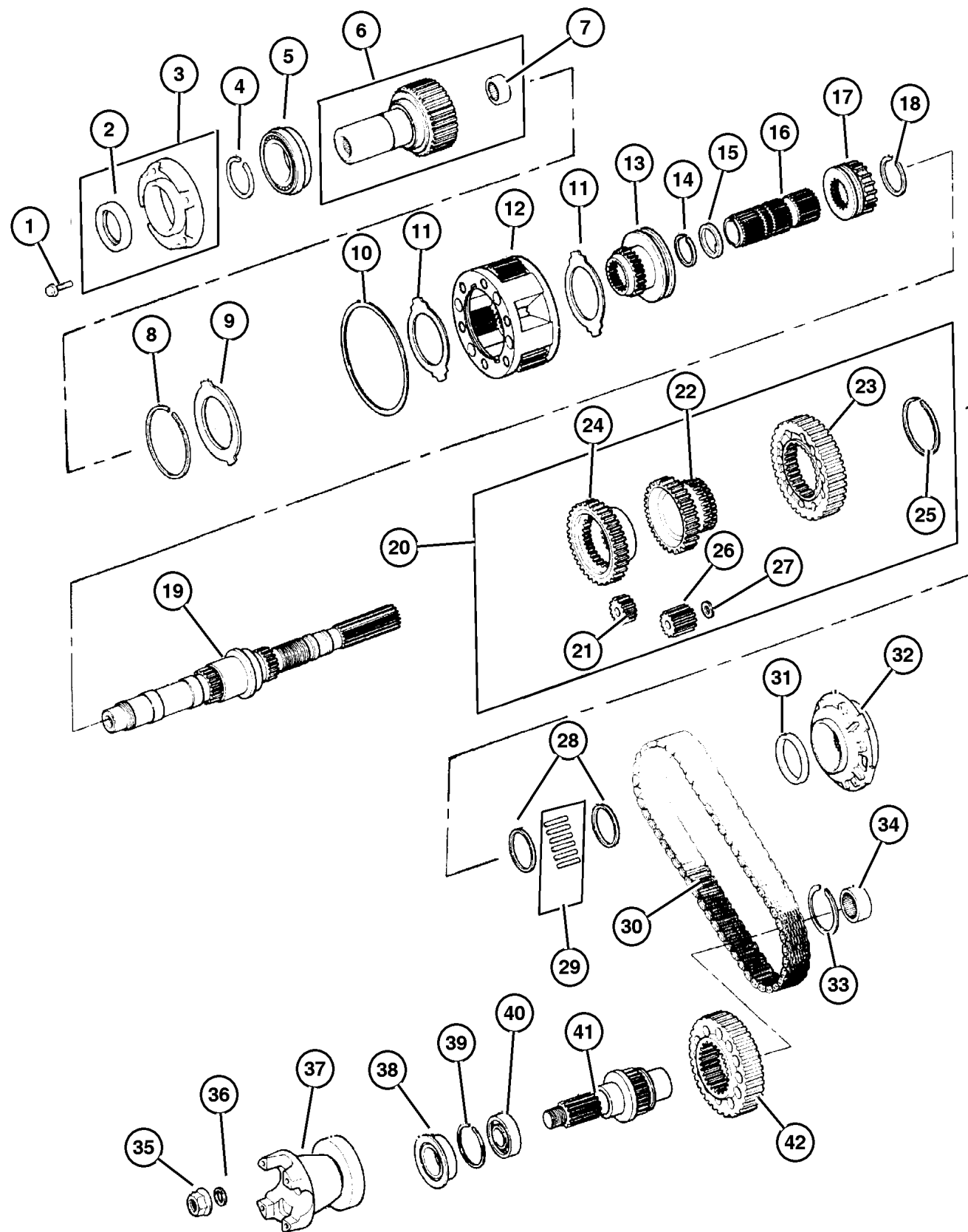
JEEP GRAND CHEROKEE (WJ)

SERIES	LINE	BODY	ENGINE	TRANSMISSION
H = Laredo	J = 4WD	74 = 4 Door	ERH = 4.0L, Power Tech I-6	DGK = 4 Speed Auto, 42RE
M = Sport	T = 2WD		EVA = 4.7L Power Tech V8	DGQ = 5 Speed Auto, 45RFE
P = Limited			EVC = 4.7L HO V8 MPI	DG0 = All Automatic Trans
S = Overland			ER0 = All 4.0L 6 Cyl Gas	
			EVO = All 4.7L Gas	

AR = Use as required - = Non illustrated part # = New this model year

December 1, 2003

**Gear Train Select Trac [DHP]
Figure 242-410**



ITEM	PART NUMBER	QTY	LINE	SERIES	BODY	ENGINE	TRANS	TRIM	DESCRIPTION
36	4210 973	1	J			ER0			WASHER, Transfer Case Yoke
37	5012 308AA	1	J			ER0			YOKE, Transfer Case
38	4798 125	1	J			ER0			SEAL, Output Shaft
39	0893 31A	1	J			ER0			SNAP RING
40	2466 224	1	J			ER0			BEARING, Output Shaft
41	5012 336AA	1	J			ER0			OUTPUT SHAFT, Transfer Case
42	8350 3518	1	J			ER0			SPROCKET, Transfer Case

JEEP GRAND CHEROKEE (WJ)

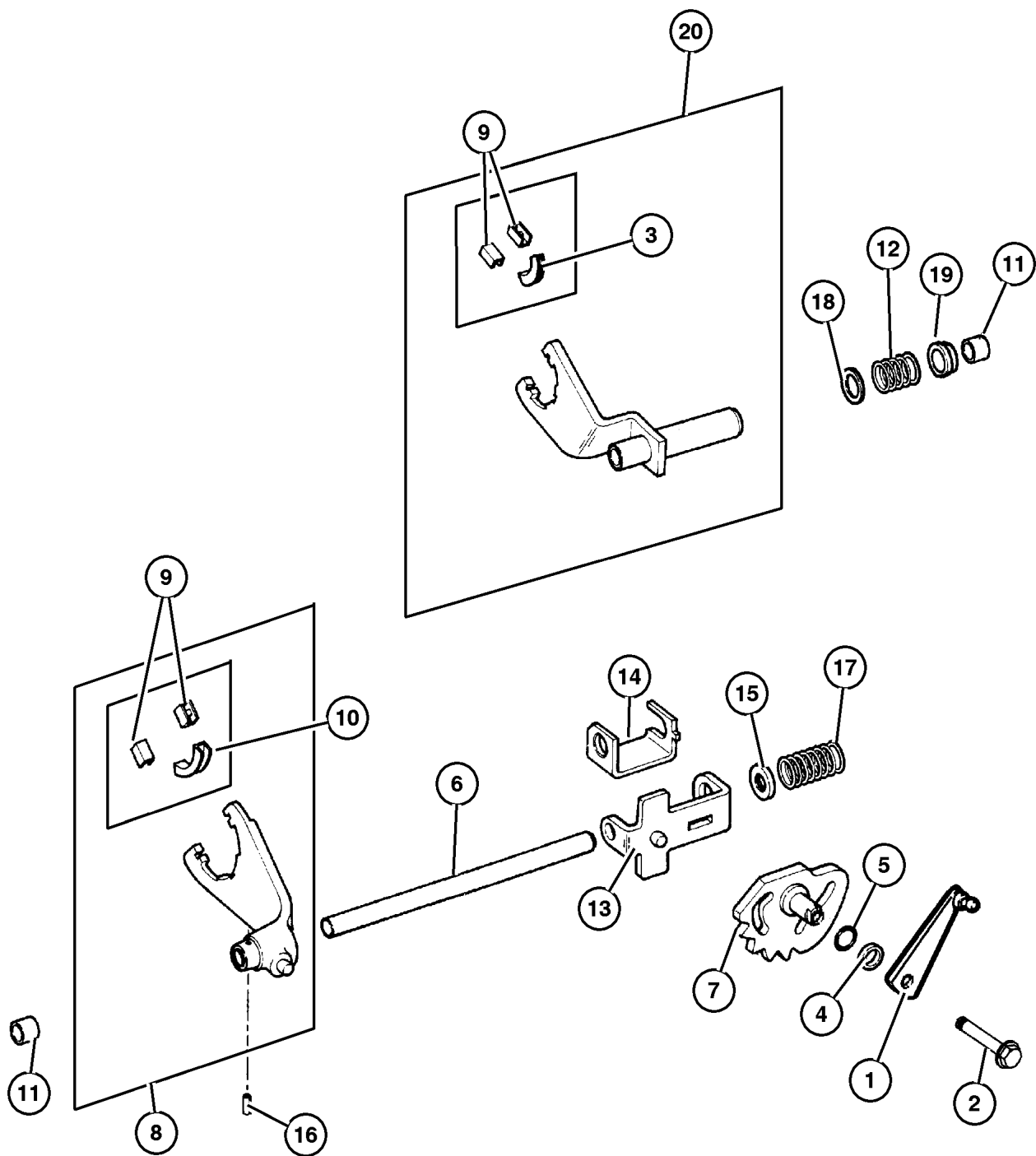
SERIES	LINE	BODY	ENGINE	TRANSMISSION
H = Laredo	J = 4WD	74 = 4 Door	ERH = 4.0L, Power Tech I-6	DGK = 4 Speed Auto, 42RE
M = Sport	T = 2WD		EVA = 4.7L Power Tech V8	DGQ = 5 Speed Auto, 45RFE
P = Limited			EVC = 4.7L HO V8 MPI	DG0 = All Automatic Trans
S = Overland			ER0 = All 4.0L 6 Cyl Gas	
			EVO = All 4.7L Gas	

AR = Use as required - = Non illustrated part # = New this model year

December 1, 2003

Fork and Rails Select Trac [DHP]
Figure 242-910

ITEM	PART NUMBER	QTY	LINE	SERIES	BODY	ENGINE	TRANS	TRIM	DESCRIPTION
NOTES: Sales Codes									
[ER0] = All 4.0L 6 Cylinder Gas Engines									
1	5012 307AA	1	J			ER0			LEVER, Transfer Case
2	5014 048AA	1	J			ER0			BOLT, Hex Head
3	4338 376	1	J			ER0			PAD, Shift Fork
4	4338 945	1	J			ER0			BUSHING, Shift Rail
5	5003 442AA	1	J			ER0			BEARING, Shift Lever Linkage
6	8350 4469	1	J			ER0			RAIL, Transfer Case
7	5072 569AA	1	J			ER0			SECTOR, Transfer Case
8	5003 459AA	1	J			ER0			FORK, Range
9	4167 969	2	J			ER0			PAD, Shift Fork
10	4167 970	1	J			ER0			PAD, Shift Fork
11	J813 4291	2	J			ER0			BUSHING, Shift Fork
12	8350 3513	1	J			ER0			SPRING, Mode Shift Fork
13	8350 3510	1	J			ER0			BRACKET, Shift Mode
14	8350 3511	1	J			ER0			BRACKET, Shift Mode
15	8350 3515	1	J			ER0			CUP, Shift Fork Spring
16	1664 355	1	J			ER0			PIN, Shift Fork
17	8350 3516	1	J			ER0			SPRING, Mode Shift Fork
18	8350 3512	1	J			ER0			WASHER, Flat
19	8350 3514	1	J			ER0			BUSHING, Shift Rail
20	4638 950	1	J			ER0			FORK, Transfer Case Mode Shift



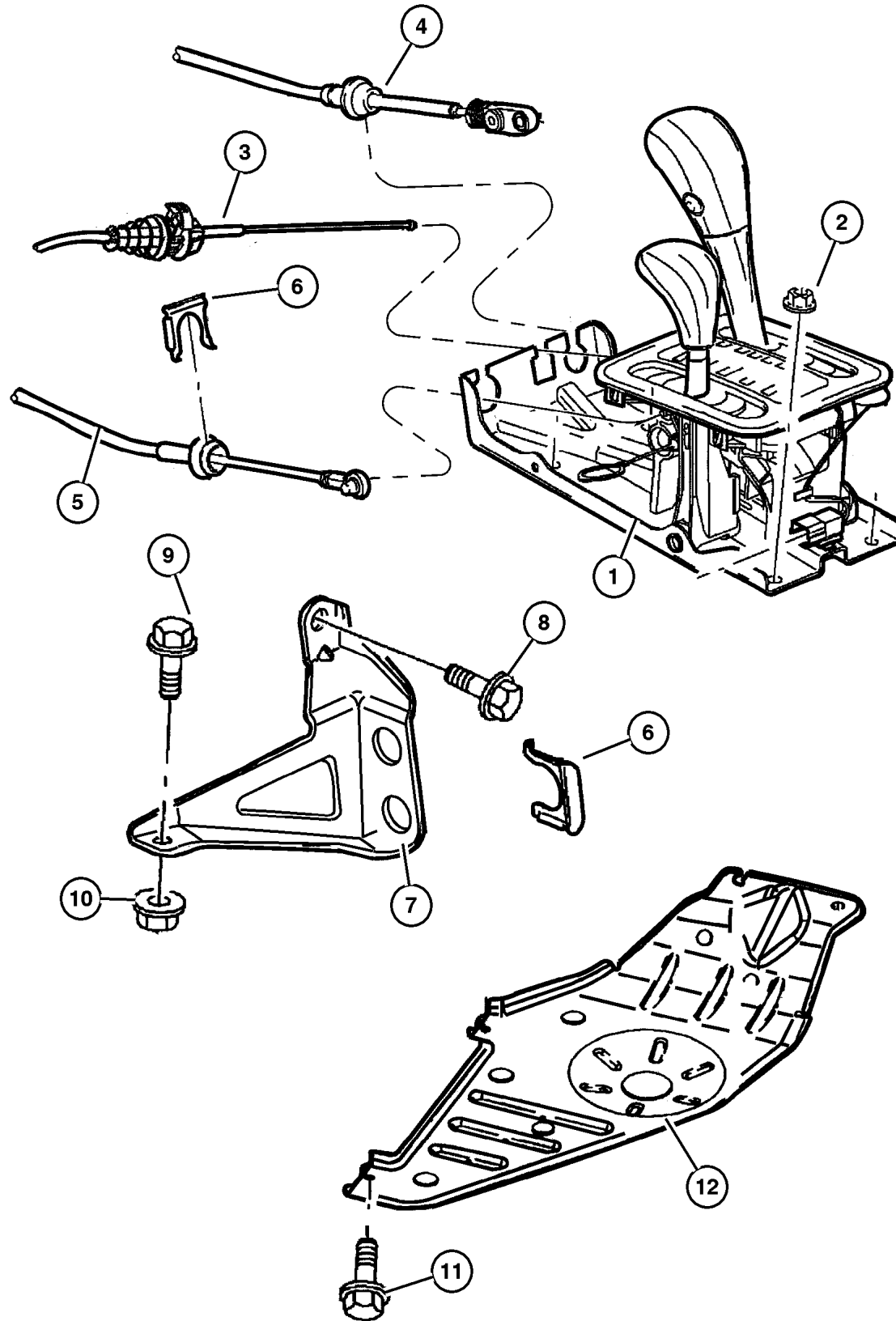
JEEP GRAND CHEROKEE (WJ)

SERIES	LINE	BODY	ENGINE	TRANSMISSION
H = Laredo	J = 4WD	74 = 4 Door	ERH = 4.0L, Power Tech I-6	DGK = 4 Speed Auto, 42RE
M = Sport	T = 2WD		EVA = 4.7L Power Tech V8	DGQ = 5 Speed Auto, 45RFE
P = Limited			EVC = 4.7L HO V8 MPI	DG0 = All Automatic Trans
S = Overland			ER0 = All 4.0L 6 Cyl Gas	
			EVO = All 4.7L Gas	

AR = Use as required - = Non illustrated part # = New this model year

December 1, 2003

**Gearshift Controls Select Trac [DHP]
Figure 242-1210**



ITEM	PART NUMBER	QTY	LINE	SERIES	BODY	ENGINE	TRANS	TRIM	DESCRIPTION
NOTES: Sales Codes									
[DGK] = 42RE 4 Speed Automatic Transmissions									
[DGQ] = 45RFE 5 Speed Automatic Transmissions									
[DG0] = All Automatic Transmissions									
[ER0] = All 4.0L Gas Engines									
[EVO] = All 4.7L Gas Engines									
1	52109 671AC	1	J			ER0, EVO	DGK, DGQ		HOUSING AND LEVER, Shifter
2	6505 245AA	4					DG0		NUT, M8x1.25
3	52109 606AA	1					DG0		CABLE, Park Interlock
4	52104 060AD	1					DG0		CABLE, Gearshift Control
5	52104 218AB	1	J				DG0		CABLE, Gearshift Control
6	4269 830	2	J						CLIP, Cable
7	52104 220AB	1	J				DGQ		BRACKET, Torque Shaft
	5210 4219	1	J				DGK		
8	6503 119	4							SCREW AND WASHER, Hex Head, M10x1.5x40
9	6501 756	1	J				DGK		SCREW AND WASHER, Hex Head, M10x1.5x30
10	6503 231	1	J				DGK		NUT, Brake Line
11	6503 571	4							SCREW AND WASHER, M10x1. 50x35
12	5205 8922	1	J						SKID PLATE, Transfer Case

JEEP GRAND CHEROKEE (WJ)

SERIES	LINE	BODY	ENGINE	TRANSMISSION
H = Laredo	J = 4WD	74 = 4 Door	ERH = 4.0L, Power Tech I-6	DGK = 4 Speed Auto, 42RE
M = Sport	T = 2WD		EVA = 4.7L Power Tech V8	DGQ = 5 Speed Auto, 45RFE
P = Limited			EVC = 4.7L HO V8 MPI	DG0 = All Automatic Trans
S = Overland			ER0 = All 4.0L 6 Cyl Gas	
			EVO = All 4.7L Gas	

AR = Use as required - = Non illustrated part # = New this model year

December 1, 2003

Group – 147

Transfer Case Model 147

GROUP 147 - Transfer Case Model 147

Illustration Title

Group-Fig. No.

Transfer Case Assembly

Transfer Case Single Mode [DHZ] Fig. 147-110

Case and Related Parts

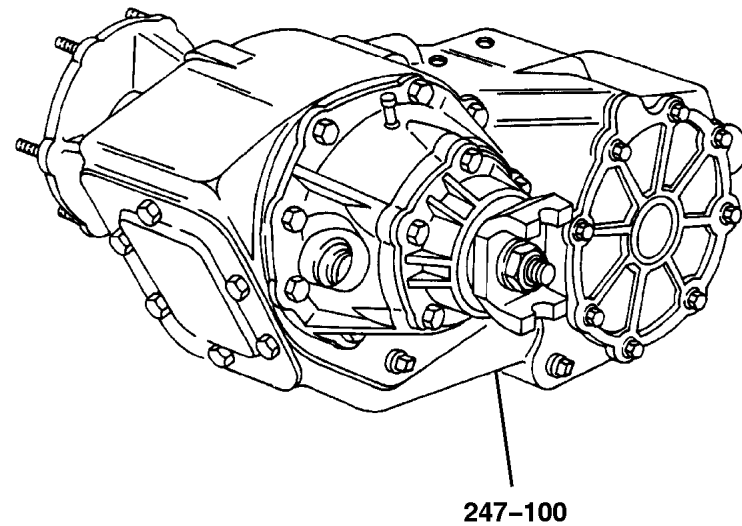
Case and Related Parts [DHZ] Fig. 147-210

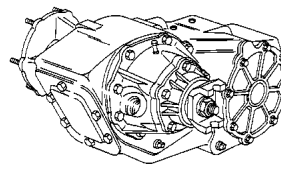
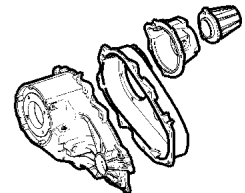
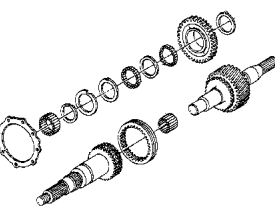

Gear Train

Gear Train Single Mode [DHZ] Fig. 147-410

Gearshift Controls

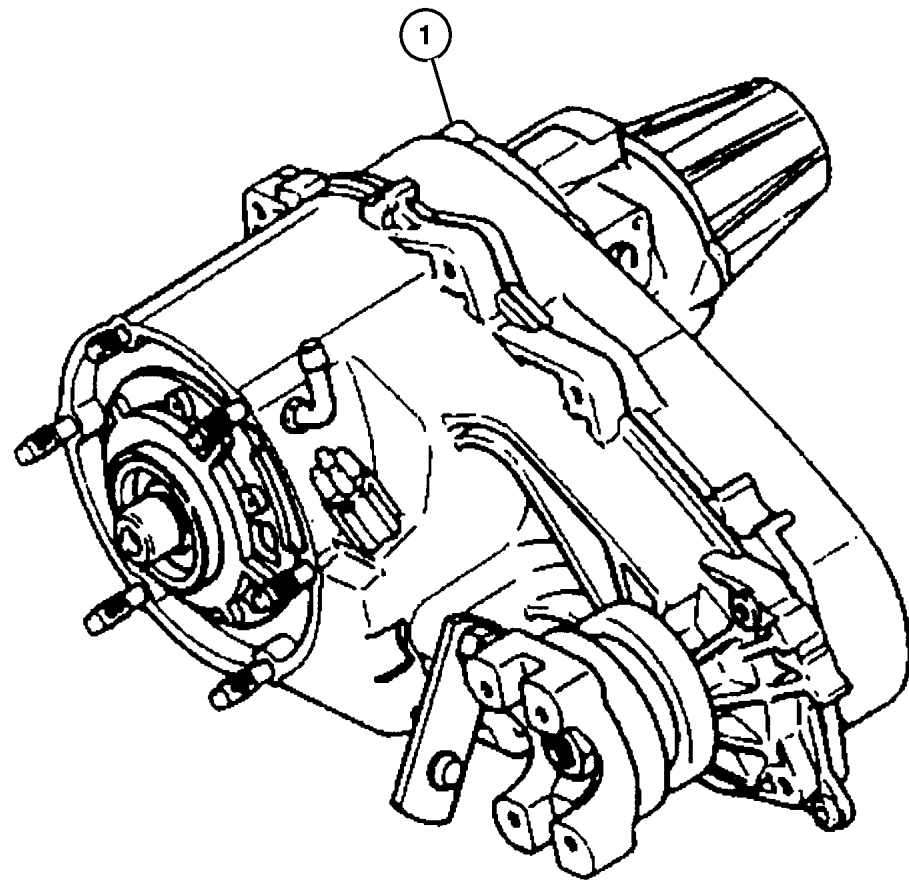
Gearshift Controls [DHZ] Fig. 147-1210



<p>147-100 Transfer Case Assembly</p> 	<p>147-200 Case and Related Parts</p> 	<p>147-400 Gear Train</p> 	<p>147-1200 Gearshift Controls</p> 
--	--	---	---

Transfer Case Single Mode [DHZ]
Figure 147-110

ITEM	PART NUMBER	QTY	LINE	SERIES	BODY	ENGINE	TRANS	TRIM	DESCRIPTION
1	#52853 114AA	1	J						TRANSFER CASE, NVG147



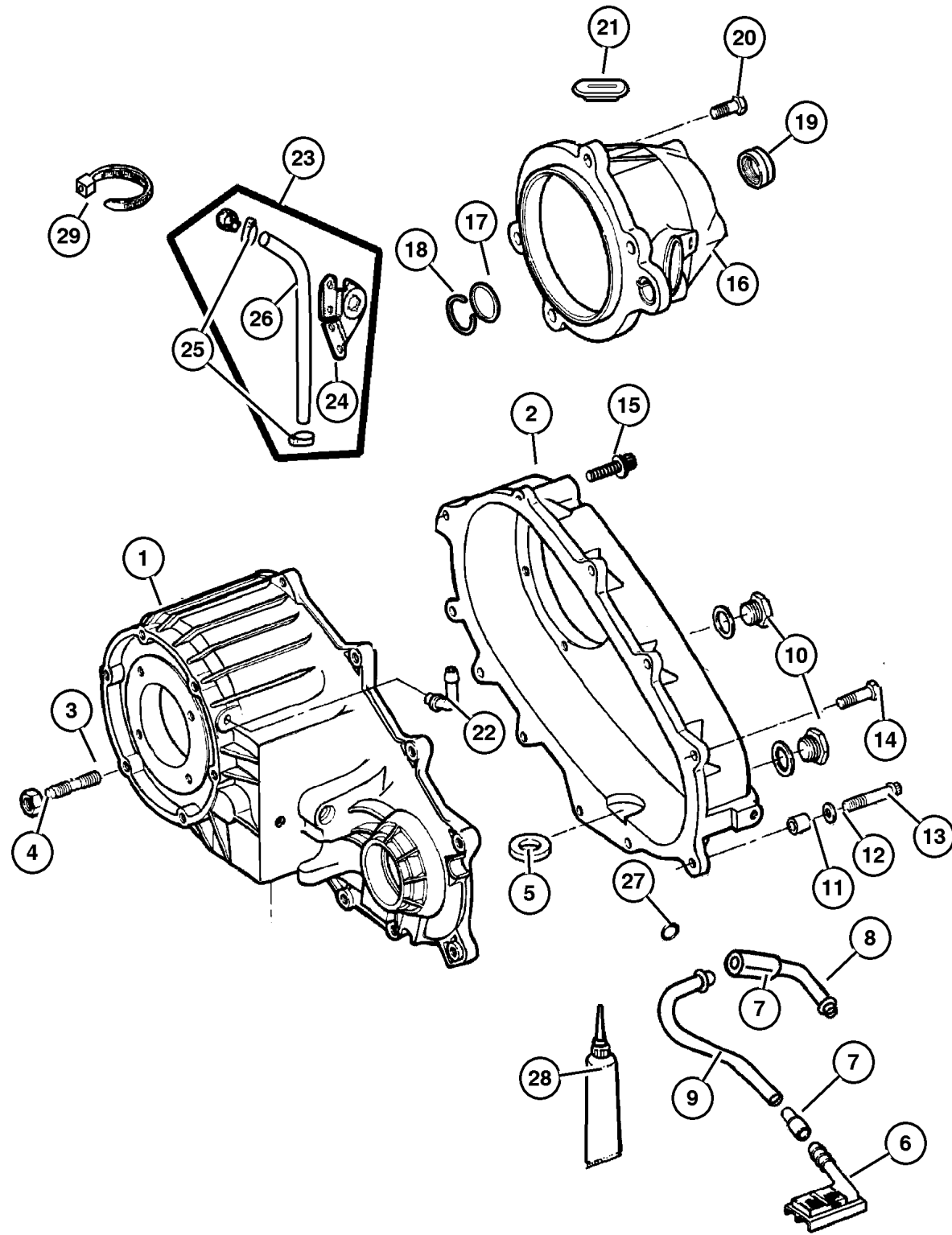
JEEP GRAND CHEROKEE (WJ)

SERIES	LINE	BODY	ENGINE	TRANSMISSION
H = Laredo	J = 4WD	74 = 4 Door	ERH = 4.0L, Power Tech I-6	DGK = 4 Speed Auto, 42RE
M = Sport	T = 2WD		EVA = 4.7L Power Tech V8	DGQ = 5 Speed Auto, 45RFE
P = Limited			EVC = 4.7L HO V8 MPI	DG0 = All Automatic Trans
S = Overland			ER0 = All 4.0L 6 Cyl Gas	
			EVO = All 4.7l Gas	

AR = Use as required - = Non illustrated part # = New this model year

December 1, 2003

Case and Related Parts [DHZ]
Figure 147-210



ITEM	PART NUMBER	QTY	LINE	SERIES	BODY	ENGINE	TRANS	TRIM	DESCRIPTION
Note: Sales Codes									
[EN0] = All 4/5 Cylinder Turbo Diesel Engines									
[ER0] = All 4.0L 6 Cyl Gas Engines									
[EV0] = All 4.7L Gas Engines									
1	#5103 036AA	1	J						CASE, Transfer Front
2	5101 823AA	1	J						CASE, Transfer Case Rear
3	4505 365	6	J						STUD
4	6033 172	6	J						NUT AND WASHER, Hex, .375-24
5	3681 601	1	J						MAGNET, Transmission
6	5012 326AA	1	J						FILTER, Transfer Case Oil
7	5012 327AA	2	J						CONNECTOR, Oil Tube Pickup
8	5013 018AA	1	J						TUBE, Oil Pickup
9	5012 328AA	1	J						TUBE, Oil Pickup
10	4856 641	2	J						PLUG, Oil Fill
11	4116 310	2	J						DOWEL, Transfer Case
12	4210 983	2	J						WASHER, Flat
13	4210 614	2	J						BOLT, Hex Flange Head
14	4210 617	6	J						BOLT, Transfer Case
15	J813 0979	3	J						BOLT, Twelve Point Head, M10x1.5x48
16	5066 086AA	1	J						RETAINER, Transfer Case Rear
17	4638 902	1	J						BUSHING, Extension Housing
18	4638 905	1	J						SNAP RING
19	4897 298AA	1	J						SEAL, Output Shaft
20	5086 051AA	4	J						BOLT, Retainer
21	5018 919AA	1	J						PLUG
22	4796 910	1	J						VENT, Transfer Case
23	52099 366AB	1	J						VENT, Transfer Case
24	J400 6661	1	J						CLAMP
25	6502 081	2	J						CLAMP, Oil Cooler Line
26	HFV00 516AB	1	J						HOSE, Fuel And Vapor, 25 Foot Roll 5/16"
27	5013 016AB	1	J						SEAL, Transfer Case
28	5010 884AA	1	J						SEALANT, RTV
29	J369 3058	1				EV0			STRAP, Retaining

JEEP GRAND CHEROKEE (WJ)

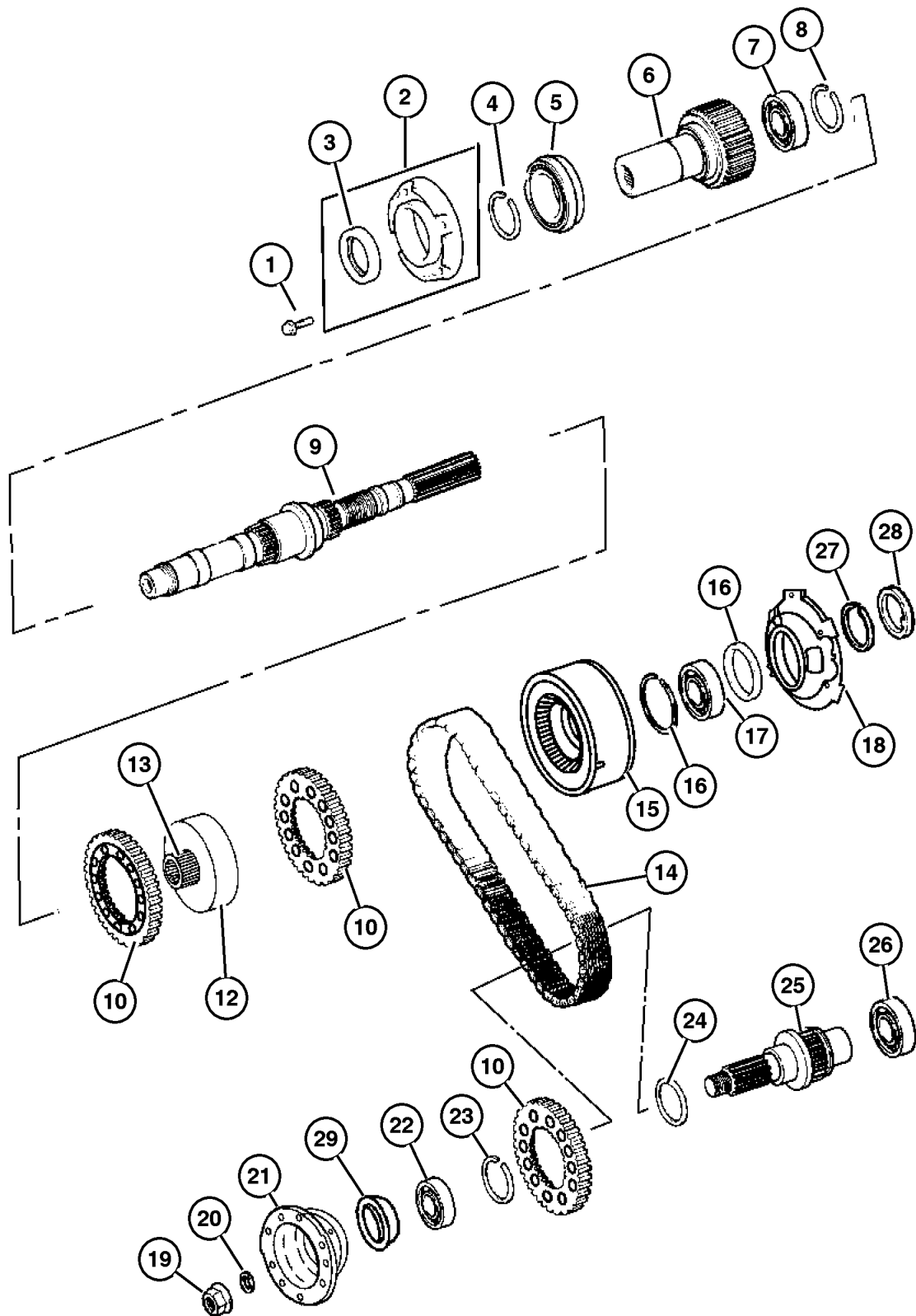
SERIES	LINE	BODY	ENGINE	TRANSMISSION
H = Laredo	J = 4WD	74 = 4 Door	ERH = 4.0L, Power Tech I-6	DGK = 4 Speed Auto, 42RE
M = Sport	T = 2WD		EVA = 4.7L Power Tech V8	DGQ = 5 Speed Auto, 45RFE
P = Limited			EVC = 4.7L HO V8 MPI	DG0 = All Automatic Trans
S = Overland			ER0 = All 4.0L 6 Cyl Gas	
			EV0 = All 4.7L Gas	

AR = Use as required - = Non illustrated part # = New this model year

December 1, 2003

**Gear Train Single Mode [DHZ]
Figure 147-410**

ITEM	PART NUMBER	QTY	LINE	SERIES	BODY	ENGINE	TRANS	TRIM	DESCRIPTION
1	6501 371	4	J						BOLT, Retainer
2	4338 973	1	J						EXTENSION, Transfer Case
3	5019 020AA	1	J						SEAL, Input Gear
4	0893 31A	1	J						SNAP RING
5	4338 891	1	J						BEARING, Input Gear
6	#5103 037AA	1	J						GEAR, Input
7	8350 3507	1	J						BEARING, Input Shaft
8	3821 558	1	J						SNAP RING
9	5012 313AA	1	J						MAINSHAFT, Transfer Case
10	5012 319AA	2	J						SPROCKET, Drive
-11	5012 316AA	2	J						SPACER, Sprocket
12	5012 315AA	1	J						CARRIER, Sprocket
13	8350 3543	1	J						BEARING PACKAGE, Transfer Case
14	5012 322AB	1	J						CHAIN, Transfer Case
15	5012 329AA	1	J						PUMP, Transfer Case Gear Rotor
16	4446 478	2	J						SNAP RING
17	4638 899	1	J						BEARING, Output Shaft
18	5013 017AB	1	J						PUMP, Transfer Case Oil
19	4167 924	1	J						NUT, Transfer Case Yoke
20	4210 973	1	J						WASHER, Transfer Case Yoke
21	5012 308AA	1	J						YOKE, Transfer Case
22	2466 224	1	J						BEARING, Output Shaft
23	5012 320AA	1	J						SNAP RING
24	5013 014AA	1	J						WASHER
25	5012 321AA	1	J						OUTPUT SHAFT, Transfer Case
26	4269 189	1	J						BEARING, Output Shaft
27	5013 014AA	1	J						WASHER
28	5013 015AA	2	J						SNAP RING
29	4798 125	1	J						SEAL, Output Shaft



JEEP GRAND CHEROKEE (WJ)

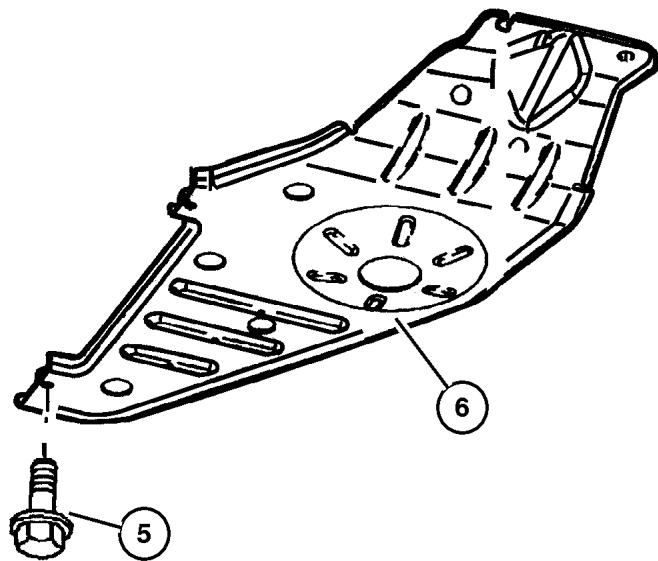
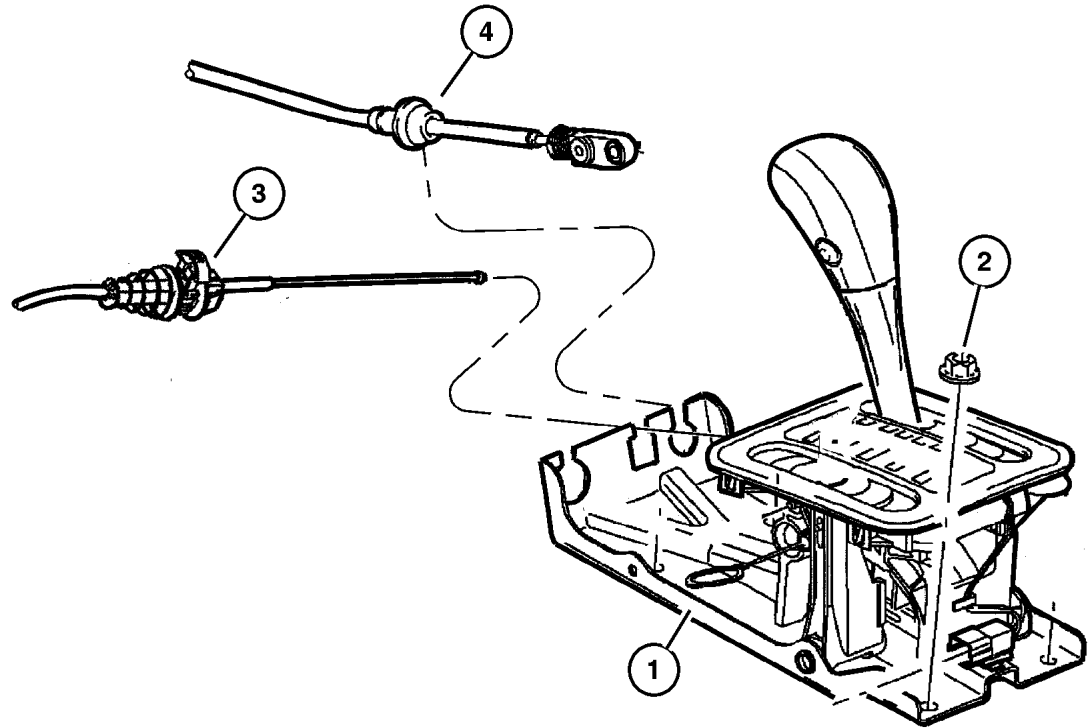
SERIES	LINE	BODY	ENGINE
H = Laredo	J = 4WD	74 = 4 Door	ERH = 4.0L, Power Tech I-6
M = Sport	T = 2WD		EVA = 4.7L Power Tech V8
P = Limited			EVC = 4.7L HO V8 MPI
S = Overland			ER0 = All 4.0L 6 Cyl Gas
			EVO = All 4.7L Gas

TRANSMISSION
 DGK = 4 Speed Auto, 42RE
 DGQ = 5 Speed Auto, 45RFE
 DG0 = All Automatic Trans

AR = Use as required - = Non illustrated part # = New this model year

December 1, 2003

**Gearshift Controls [DHZ]
Figure 147-1210**



ITEM	PART NUMBER	QTY	LINE	SERIES	BODY	ENGINE	TRANS	TRIM	DESCRIPTION
NOTES: Sales Codes									
[DGK] = 42RE 4 Speed Automatic Transmissions									
[DGQ] = 45RFE 5 Speed Automatic Transmissions									
[DG0] = All Automatic Transmissions									
[ER0] = All 4.0L Gas Engines									
[EV0] = All 4.7L Gas Engines									
1	#52080 434AA	1	J				DGK		HOUSING AND LEVER, Shifter
2	6506 929AA	1							NUT, Hex Flange Lock, M8x1.25
3	52109 606AA	1					DG0		CABLE, Park Interlock
4	52104 060AD	1					DG0		CABLE, Gearshift Control
5	6503 571	4							SCREW AND WASHER, M10x1.50x35
6	5205 8922	1	J						SKID PLATE, Transfer Case

JEEP GRAND CHEROKEE (WJ)

SERIES	LINE	BODY	ENGINE	TRANSMISSION
H = Laredo	J = 4WD	74 = 4 Door	ERH = 4.0L, Power Tech I-6	DGK = 4 Speed Auto, 42RE
M = Sport	T = 2WD		EVA = 4.7L Power Tech V8	DGQ = 5 Speed Auto, 45RFE
P = Limited			EVC = 4.7L HO V8 MPI	DG0 = All Automatic Trans
S = Overland			ER0 = All 4.0L 6 Cyl Gas	
			EV0 = All 4.7L Gas	

AR = Use as required - = Non illustrated part # = New this model year

December 1, 2003

Group – 247

Transfer Case Model 247

GROUP 247 - Transfer Case Model 247

Illustration Title

Group-Fig. No.

Transfer Case Assembly

Transfer Case Quadra Trac II on Demand [DHF] Fig. 247-110

Case and Related Parts

Case and Related Parts Quadra Trac II on Demand [DHF] Fig. 247-210

Gear Train

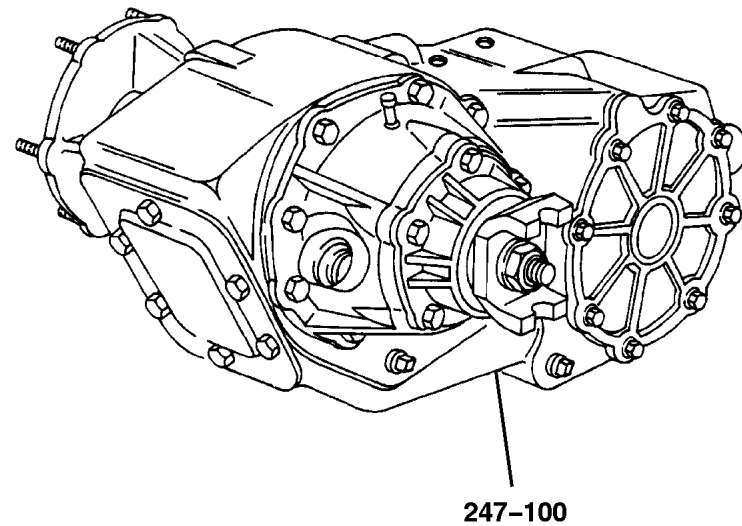
Gear Train Quadra Trac II on Demand [DHF] Fig. 247-410

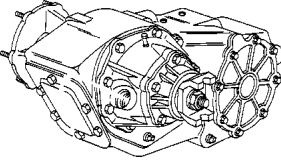
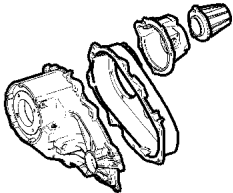
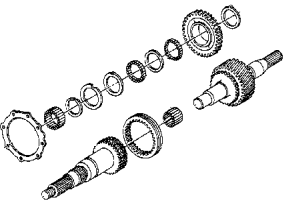
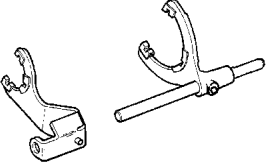

Fork and Rails

Fork and Rails Quadra Trac II on Demand [DHF] Fig. 247-910

Gearshift Controls

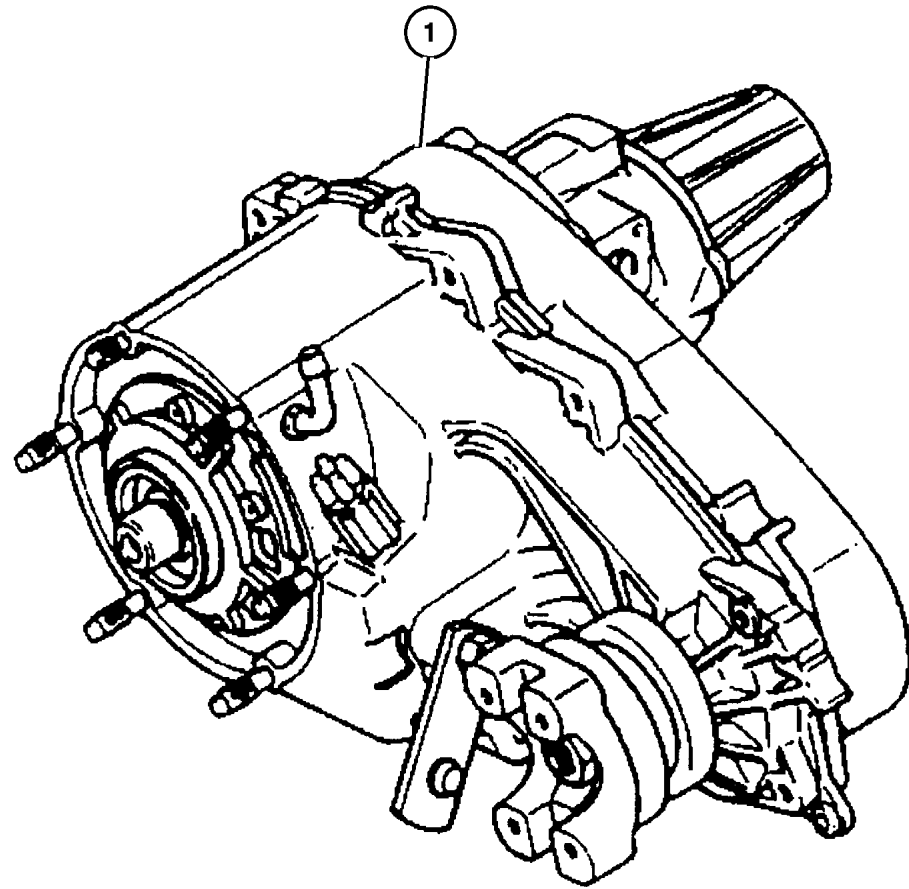
Gearshift Controls Quadra Trac II on Demand [DHF] Fig. 247-1210



<p>247-100 Transfer Case Assembly</p> 	<p>247-200 Case and Related Parts</p> 	<p>247-400 Gear Train</p> 	<p>247-900 Fork and Rails</p> 
<p>247-1200 Gearshift Controls</p> 			

**Transfer Case Quadra Trac II on Demand [DHF]
Figure 247-110**

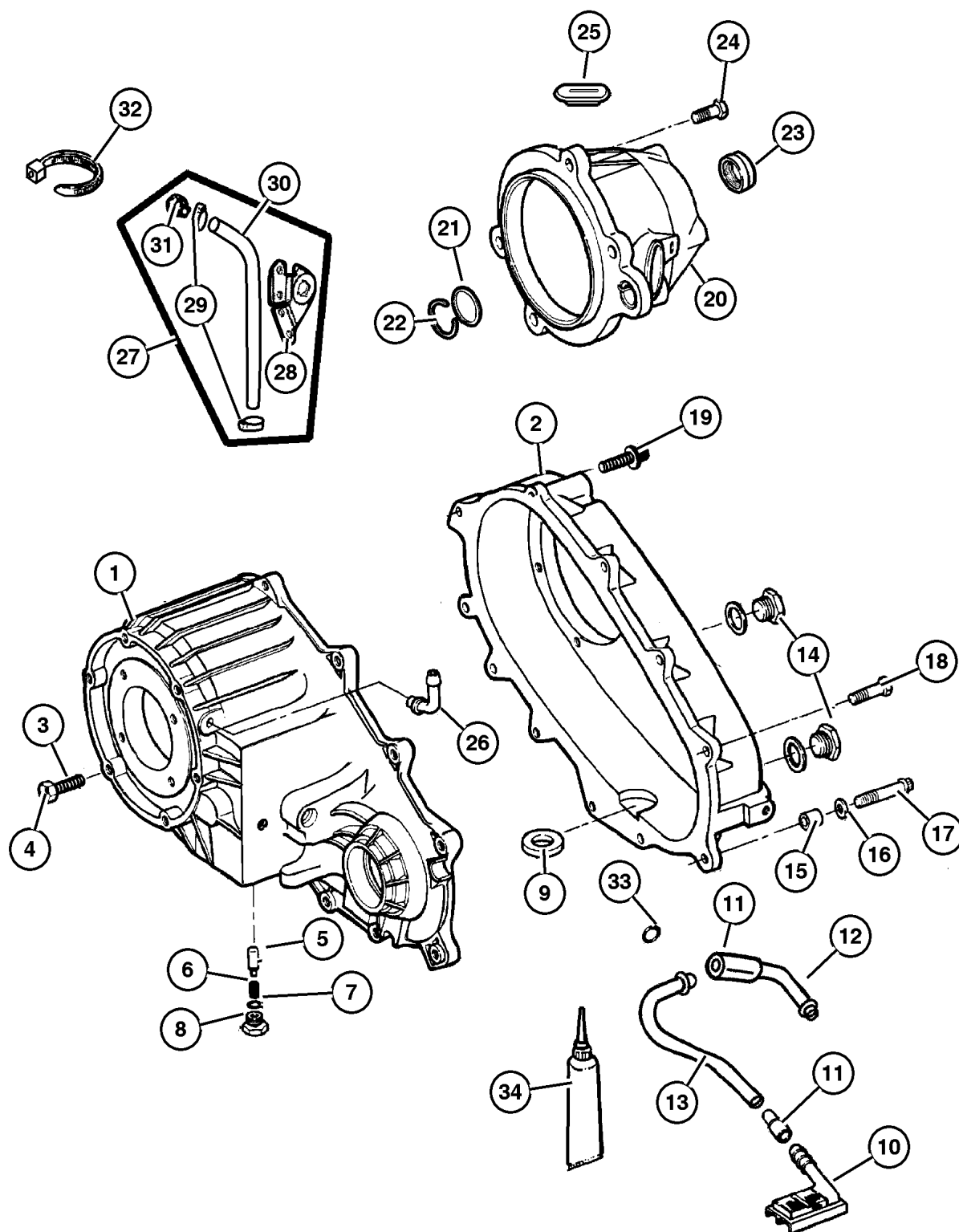
ITEM	PART NUMBER	QTY	LINE	SERIES	BODY	ENGINE	TRANS	TRIM	DESCRIPTION
NOTES: Sales Codes									
[ER0] = All 4.0L 6 Cylinder Gas Engines									
[EV0] = All 4.7L Gas Engines									
1									TRANSFER CASE, NP247
	52098 871AD	1	J			ER0			
	52105 905AB	1	J			EV0			



JEEP GRAND CHEROKEE (WJ)				
SERIES	LINE	BODY	ENGINE	TRANSMISSION
H = Laredo	J = 4WD	74 = 4 Door	ERH = 4.0L, Power Tech I-6	DGK = 4 Speed Auto, 42RE
M = Sport	T = 2WD		EVA = 4.7L Power Tech V8	DGQ = 5 Speed Auto, 45RFE
P = Limited			EVC = 4.7L HO V8 MPI	DG0 = All Automatic Trans
S = Overland			ER0 = All 4.0L 6 Cyl Gas	
			EV0 = All 4.7L Gas	

AR = Use as required - = Non illustrated part # = New this model year

**Case and Related Parts Quadra Trac II on Demand [DHF]
Figure 247-210**



ITEM	PART NUMBER	QTY	LINE	SERIES	BODY	ENGINE	TRANS	TRIM	DESCRIPTION
NOTES: Sales Codes									
[ER0] = All 4.0L 6 Cylinder Gas Engines									
[EV0] = All 4.7L Gas Engines									
1	5012 309AA	1	J			ER0			CASE, Transfer Front
2	5101 823AA	1	J			ER0			CASE, Transfer Case Rear
3	4505 365	6	J			ER0			STUD
4	6033 172	6	J			EV0			NUT AND WASHER, Hex, .375-24
5	5300 8217	1	J			ER0			PLUNGER
6	4638 497	1	J			EV0			SPRING, Shift Detent
7	4338 956	1	J			ER0			SEAL, Vacuum Switch
8	4886 473AA	1	J			ER0			SCREW
9	3681 601	1	J			EV0			MAGNET, Transmission
10	5012 326AA	1	J			ER0			FILTER, Transfer Case Oil
11	5012 327AA	2	J			ER0			CONNECTOR, Oil Tube Pickup
12	5013 018AA	1	J			ER0			TUBE, Oil Pickup
13	5012 328AA	1	J			EV0			TUBE, Oil Pickup
14		1	J			ER0			PLUG, Oil Fill

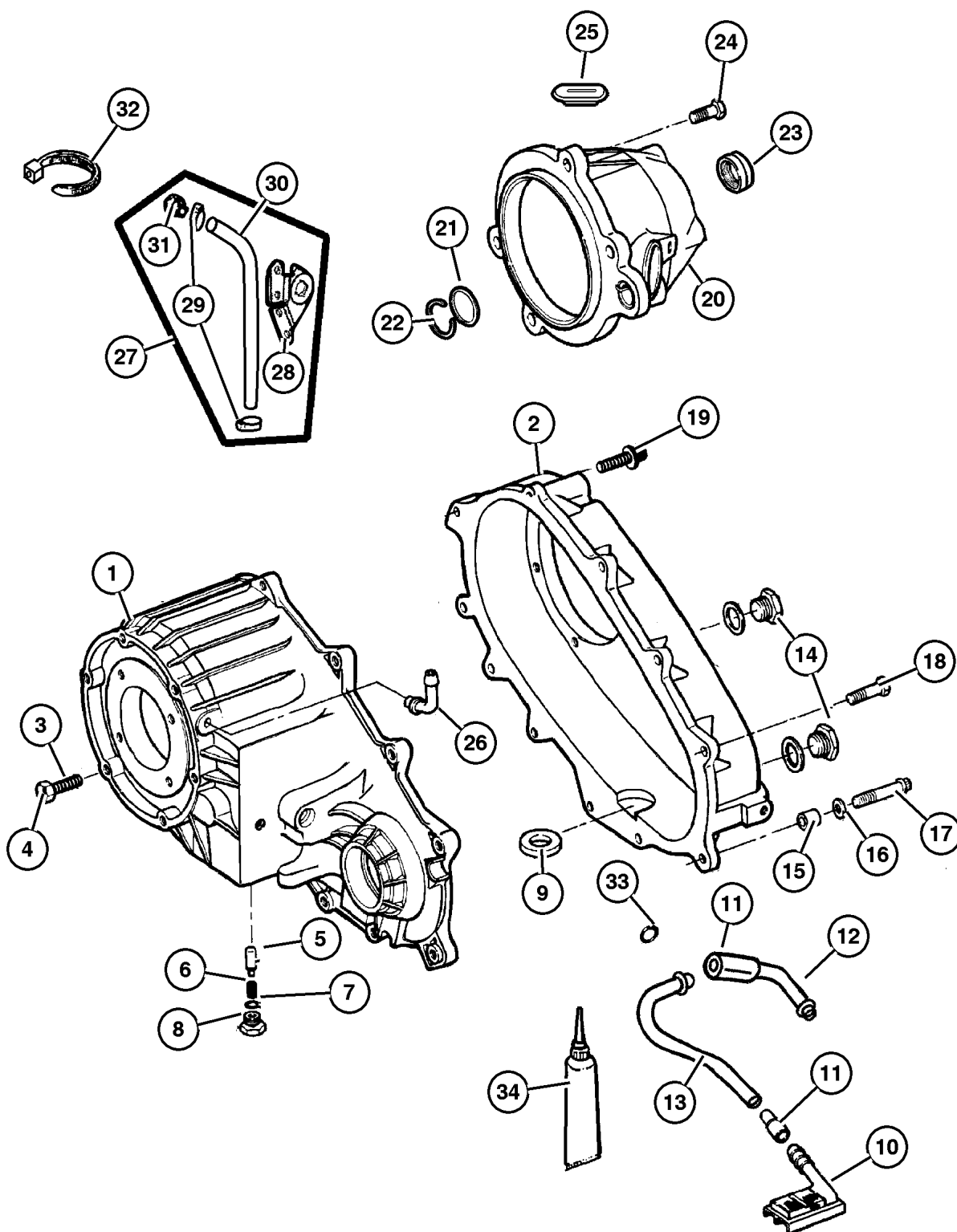
JEEP GRAND CHEROKEE (WJ)

SERIES	LINE	BODY	ENGINE	TRANSMISSION
H = Laredo	J = 4WD	74 = 4 Door	ERH = 4.0L, Power Tech I-6	DGK = 4 Speed Auto, 42RE
M = Sport	T = 2WD		EVA = 4.7L Power Tech V8	DGQ = 5 Speed Auto, 45RFE
P = Limited			EVC = 4.7L HO V8 MPI	DG0 = All Automatic Trans
S = Overland			ER0 = All 4.0L 6 Cyl Gas	
			EV0 = All 4.7L Gas	

AR = Use as required - = Non illustrated part # = New this model year

December 1, 2003

Case and Related Parts Quadra Trac II on Demand [DHF]
Figure 247-210



ITEM	PART NUMBER	QTY	LINE	SERIES	BODY	ENGINE	TRANS	TRIM	DESCRIPTION
	4856 641	2	J			ER0			
		2	J			EVO			
15	4116 310	2	J			ER0			DOWEL, Transfer Case
		2	J			EVO			
16	4210 983	2	J			ER0			WASHER, Flat
		2	J			EVO			
17	4210 614	2	J			ER0			BOLT, Hex Flange Head
		2	J			EVO			
18	4210 617	6	J			ER0			BOLT, Transfer Case
		6	J			EVO			
19	J813 0979	3	J			ER0			BOLT, Twelve Point Head, M10x1.5x48
		3	J			EVO			
20	5066 086AA	1	J			ER0			RETAINER, Transfer Case Rear
		1	J			EVO			
21	4638 902	1	J			ER0			BUSHING, Extension Housing
		1	J			EVO			
22	0893 31A	1	J			ER0			SNAP RING
		1	J			EVO			
23	4897 298AA	1	J			ER0			SEAL, Output Shaft
		1	J			EVO			
24	6501 371	4	J			ER0			BOLT, Retainer
		4	J			EVO			
25	5018 919AA	1	J			ER0			PLUG
		1	J			EVO			
26	4796 910	1	J			ER0			VENT, Transfer Case
		1	J			EVO			
27	52099 366AD	1	J						VENT, Transfer Case
28	J400 5701	1	J						CLIP

JEEP GRAND CHEROKEE (WJ)

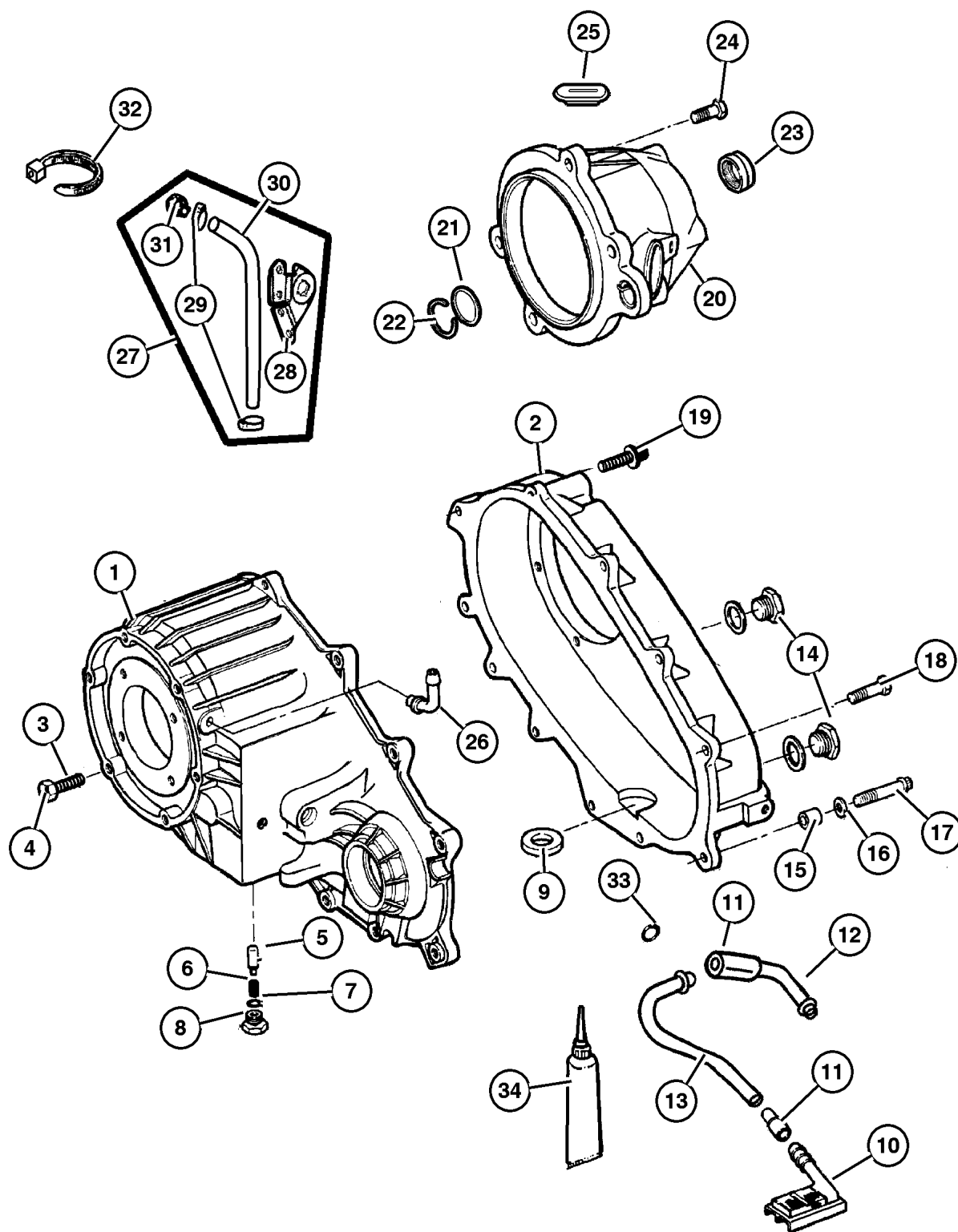
SERIES	LINE	BODY	ENGINE	TRANSMISSION
H = Laredo	J = 4WD	74 = 4 Door	ERH = 4.0L, Power Tech I-6	DGK = 4 Speed Auto, 42RE
M = Sport	T = 2WD		EVA = 4.7L Power Tech V8	DGQ = 5 Speed Auto, 45RFE
P = Limited			EVC = 4.7L HO V8 MPI	DG0 = All Automatic Trans
S = Overland			ER0 = All 4.0L 6 Cyl Gas	
			EVO = All 4.7L Gas	

AR = Use as required - = Non illustrated part # = New this model year

December 1, 2003

Case and Related Parts Quadra Trac II on Demand [DHF]
Figure 247-210

ITEM	PART NUMBER	QTY	LINE	SERIES	BODY	ENGINE	TRANS	TRIM	DESCRIPTION
29	6502 081	2	J						CLAMP, Oil Cooler Line
30	HFV00 516AB	1	J						HOSE, Fuel And Vapor, 25 Foot Roll 5/16"
31	J535 2955	1	J						VENT, Axle
32	J369 3058	1				EVO			STRAP, Retaining
33	5013 016AB	1	J			ER0			SEAL, Transfer Case
		1	J			EVO			
34	5010 884AA	1	J			ER0			SEALANT, RTV
		1	J			EVO			



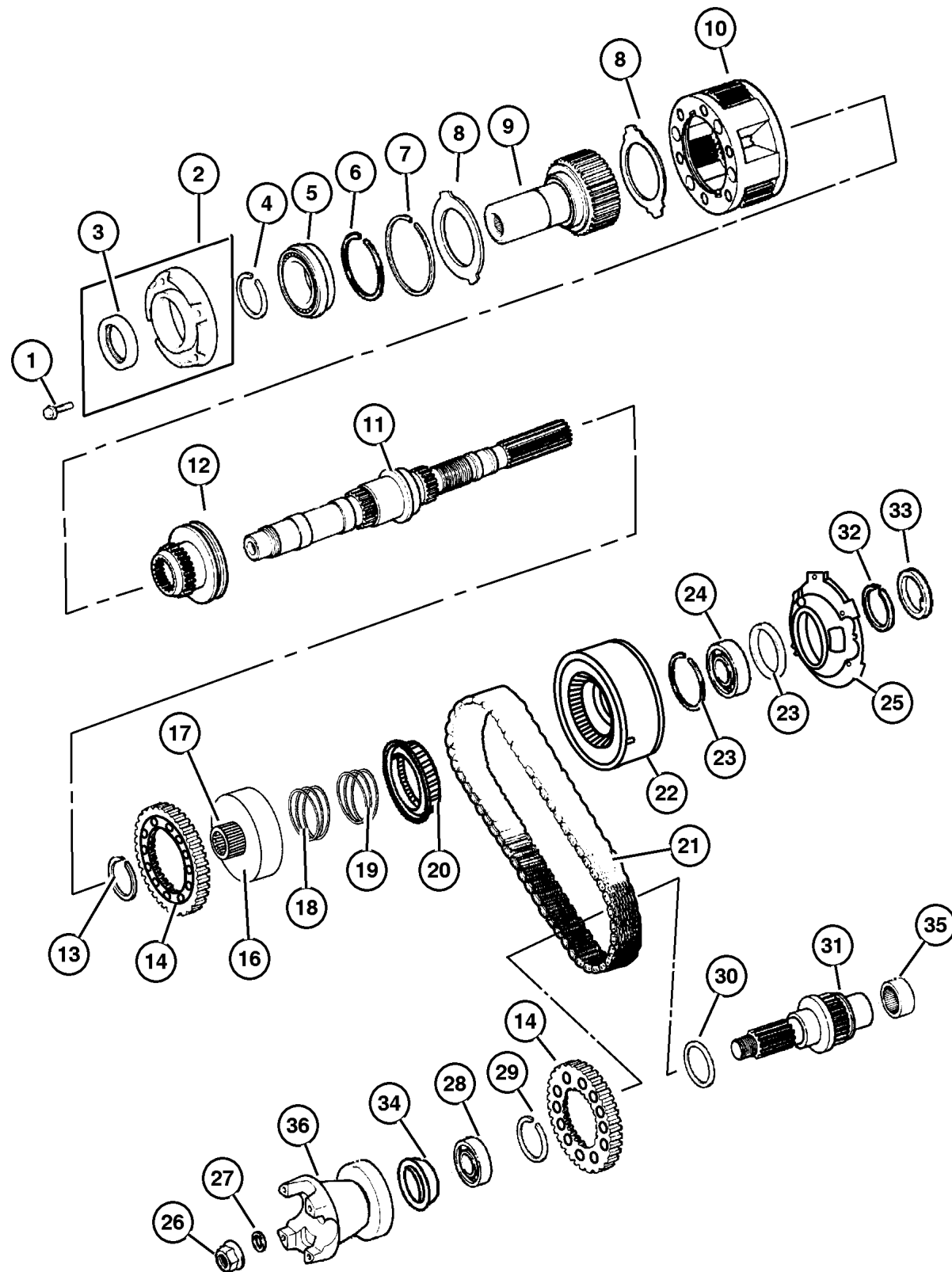
JEEP GRAND CHEROKEE (WJ)

SERIES	LINE	BODY	ENGINE	TRANSMISSION
H = Laredo	J = 4WD	74 = 4 Door	ERH = 4.0L, Power Tech I-6	DGK = 4 Speed Auto, 42RE
M = Sport	T = 2WD		EVA = 4.7L Power Tech V8	DGQ = 5 Speed Auto, 45RFE
P = Limited			EVC = 4.7L HO V8 MPI	DG0 = All Automatic Trans
S = Overland			ER0 = All 4.0L 6 Cyl Gas	
			EVO = All 4.7L Gas	

AR = Use as required - = Non illustrated part # = New this model year

December 1, 2003

**Gear Train Quadra Trac II on Demand [DHF]
Figure 247-410**



ITEM	PART NUMBER	QTY	LINE	SERIES	BODY	ENGINE	TRANS	TRIM	DESCRIPTION
------	-------------	-----	------	--------	------	--------	-------	------	-------------

NOTES: Sales Codes

[ER0] = All 4.0L 6 Cylinder Gas Engines

[EV0] = All 4.7L Gas Engines

1	6501 371	4	J			ER0			BOLT, Retainer
		4	J			EV0			
2	4338 973	1	J			ER0			EXTENSION, Transfer Case
		1	J			EV0			
3	5019 020AA	1	J			ER0			SEAL, Input Gear
		1	J			EV0			
4	3821 558	1	J			ER0			SNAP RING
		1	J			EV0			
5	4746 155	1	J			ER0			BEARING, Input Gear
		1	J			EV0			
6	4338 910	1	J			ER0			SNAP RING
		1	J			EV0			
7	4338 909	1	J			ER0			RING
		1	J			EV0			
8	4338 908	2	J			ER0			THRUST WASHER, Planetary Carrier
		2	J			EV0			
9	4798 126	1	J			ER0			GEAR, Input
	5012 311AA	1	J			EV0			
10	4796 903AB	1	J			ER0			PLANETARY, Transfer Case
		1	J			EV0			
11	5012 313AA	1	J			ER0			MAINSHAFT, Transfer Case
		1	J			EV0			
12	5012 314AA	1	J			ER0			SLEEVE, Shift Range
		1	J			EV0			
13									SNAP RING

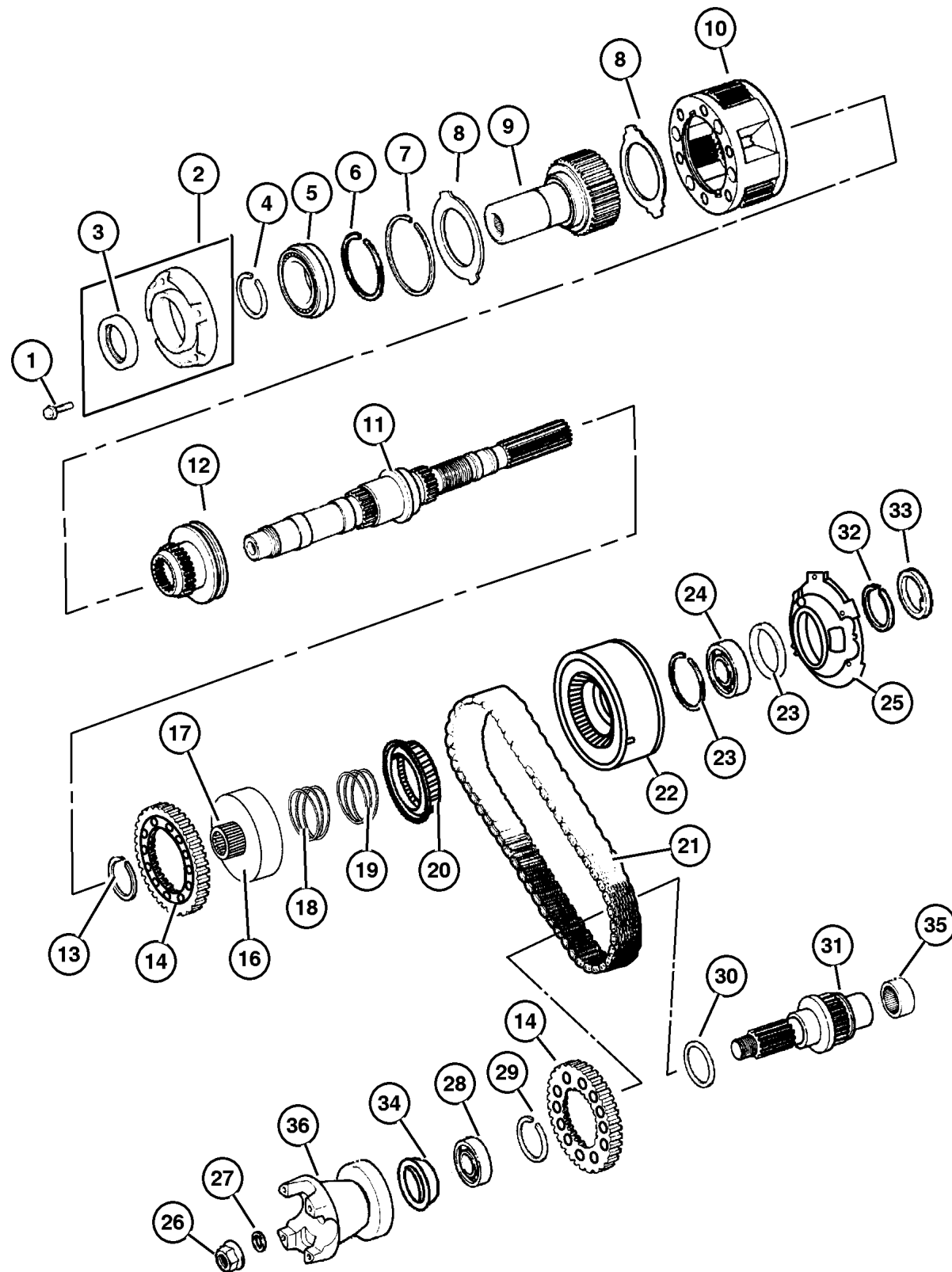
JEEP GRAND CHEROKEE (WJ)

SERIES	LINE	BODY	ENGINE	TRANSMISSION
H = Laredo	J = 4WD	74 = 4 Door	ERH = 4.0L, Power Tech I-6	DGK = 4 Speed Auto, 42RE
M = Sport	T = 2WD		EVA = 4.7L Power Tech V8	DGQ = 5 Speed Auto, 45RFE
P = Limited			EVC = 4.7L HO V8 MPI	DG0 = All Automatic Trans
S = Overland			ER0 = All 4.0L 6 Cyl Gas	
			EV0 = All 4.7L Gas	

AR = Use as required - = Non illustrated part # = New this model year

December 1, 2003

**Gear Train Quadra Trac II on Demand [DHF]
Figure 247-410**



ITEM	PART NUMBER	QTY	LINE	SERIES	BODY	ENGINE	TRANS	TRIM	DESCRIPTION
	4798 130	1	J			ER0			
		1	J			EVO			
14	5012 319AA	2	J			ER0			SPROCKET, Drive
		2	J			EVO			
-15	5012 316AA	2	J			ER0			SPACER, Sprocket
		2	J			EVO			
16	5012 315AA	1	J			ER0			CARRIER, Sprocket
		1	J			EVO			
17	8350 3543	1	J			ER0			BEARING PACKAGE, Transfer Case
		1	J			EVO			
18	4798 131	1	J			ER0			SPRING, Clutch
		1	J			EVO			
19	4897 521AA	1	J			ER0			SPRING, Clutch
		1	J			EVO			
20	4897 520AA	1	J			ER0			CLUTCH, Oneway
		1	J			EVO			
21	5012 322AB	1	J			ER0			CHAIN, Transfer Case
		1	J			EVO			
22	5012 329AA	1	J			ER0			PUMP, Transfer Case Gear Rotor
		1	J			EVO			
23	4446 478	2	J			ER0			SNAP RING
		2	J			EVO			
24	4638 899	1	J			ER0			BEARING, Output Shaft
		1	J			EVO			
25	5013 017AB	1	J			ER0			PUMP, Transfer Case Oil
		1	J			EVO			
26	4167 924	1	J			ER0			NUT, Transfer Case Yoke
		1	J			EVO			
27									WASHER, Transfer Case Yoke

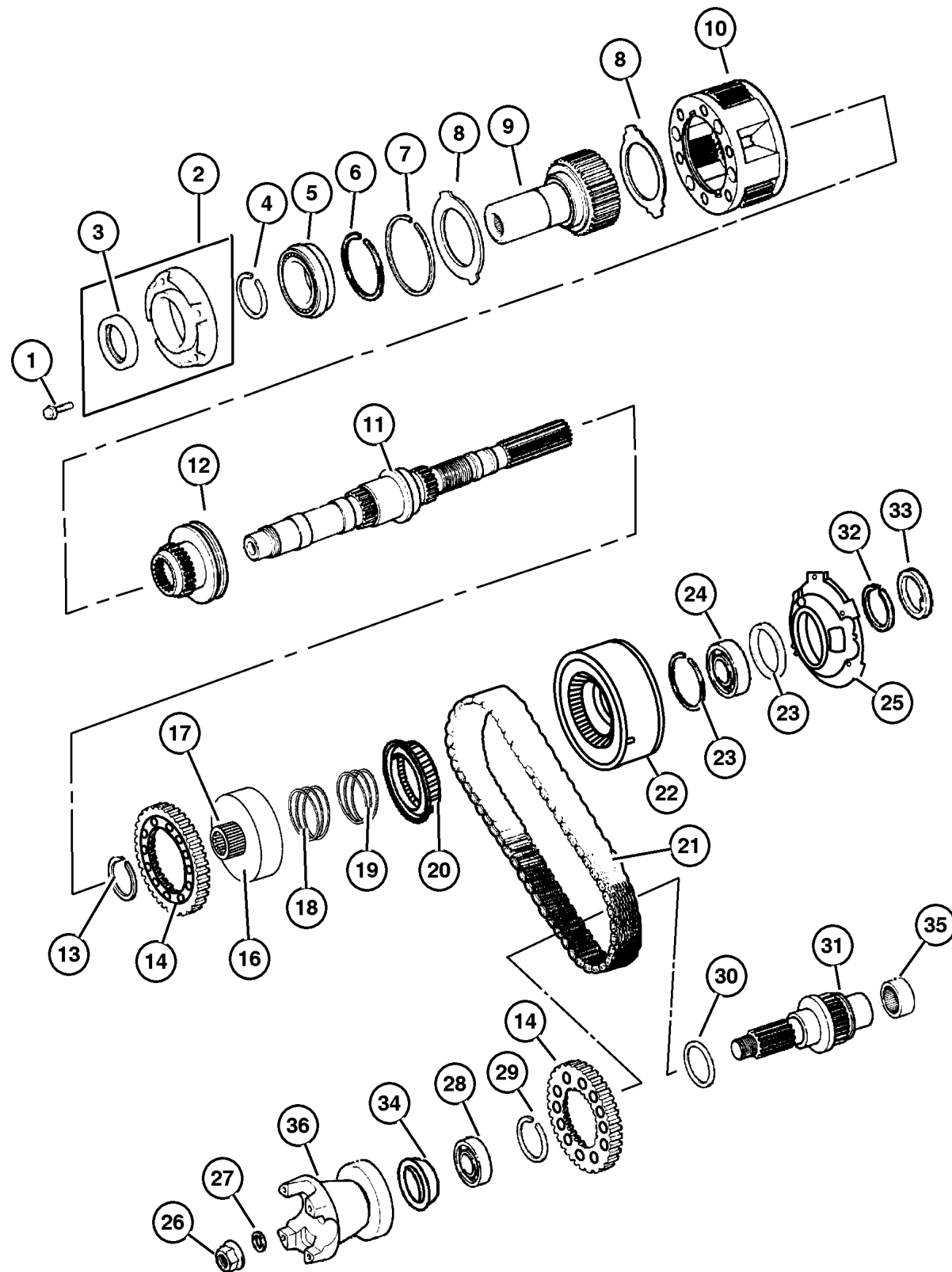
JEEP GRAND CHEROKEE (WJ)

SERIES	LINE	BODY	ENGINE	TRANSMISSION
H = Laredo	J = 4WD	74 = 4 Door	ERH = 4.0L, Power Tech I-6	DGK = 4 Speed Auto, 42RE
M = Sport	T = 2WD		EVA = 4.7L Power Tech V8	DGQ = 5 Speed Auto, 45RFE
P = Limited			EVC = 4.7L HO V8 MPI	DG0 = All Automatic Trans
S = Overland			ER0 = All 4.0L 6 Cyl Gas	
			EVO = All 4.7L Gas	

AR = Use as required - = Non illustrated part # = New this model year

December 1, 2003

**Gear Train Quadra Trac II on Demand [DHF]
Figure 247-410**



ITEM	PART NUMBER	QTY	LINE	SERIES	BODY	ENGINE	TRANS	TRIM	DESCRIPTION
	4210 973	1	J			ER0			
		1	J			EVO			
28	2466 224	1	J			ER0			BEARING, Output Shaft
		1	J			EVO			
29	5012 320AA	2	J			EVO			SNAP RING
		2	J			ER0			
30									WASHER
	5013 014AA	1	J			ER0			
		1	J			EVO			
31	5012 321AA	1	J			ER0			OUTPUT SHAFT, Transfer Case
		1	J			EVO			
32									WASHER
	5013 014AA	1	J			ER0			
		1	J			EVO			
33									SNAP RING
	4446 478	2	J			ER0			
		2	J			EVO			
34									SEAL, Output Shaft
	4798 125	1	J			ER0			
		1	J			EVO			
35									BEARING, Output Shaft
	4269 189	1	J			ER0			
		1	J			EVO			
36									YOKE, Transfer Case
	5012 308AA	1	J			ER0			
	5019 514AA	1	J			EVO			

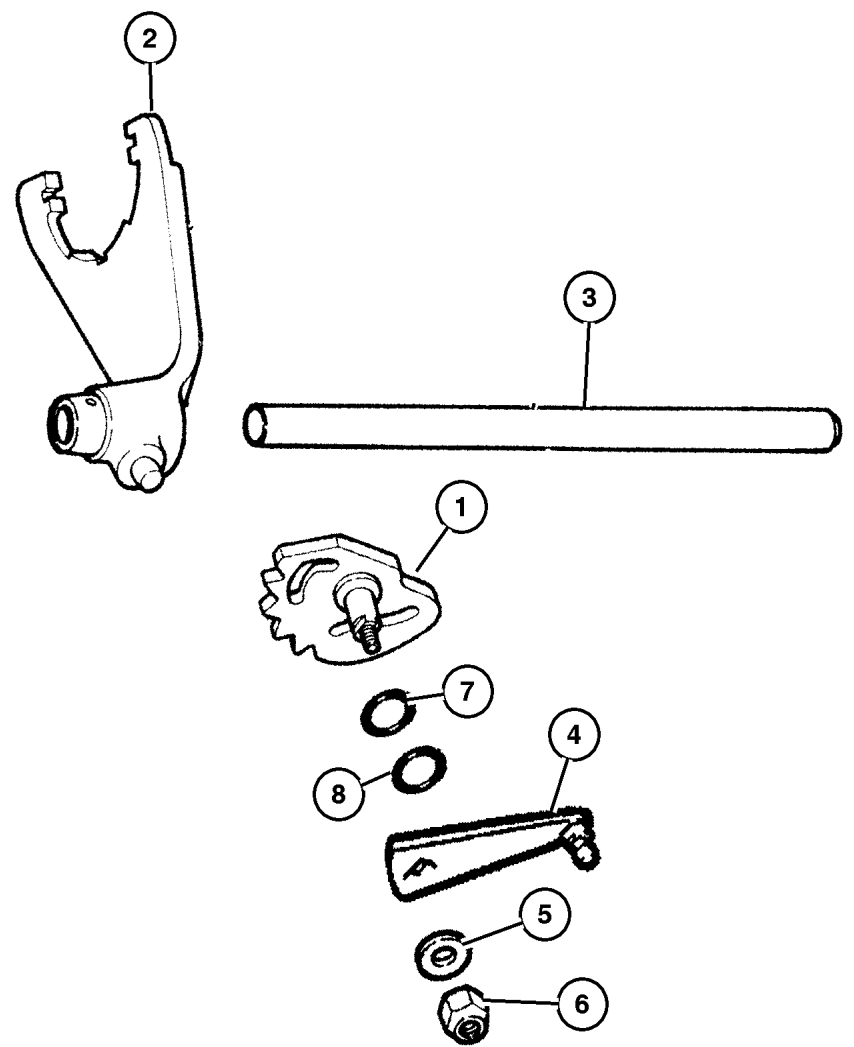
JEEP GRAND CHEROKEE (WJ)

SERIES	LINE	BODY	ENGINE	TRANSMISSION
H = Laredo	J = 4WD	74 = 4 Door	ERH = 4.0L, Power Tech I-6	DGK = 4 Speed Auto, 42RE
M = Sport	T = 2WD		EVA = 4.7L Power Tech V8	DGQ = 5 Speed Auto, 45RFE
P = Limited			EVC = 4.7L HO V8 MPI	DG0 = All Automatic Trans
S = Overland			ER0 = All 4.0L 6 Cyl Gas	
			EVO = All 4.7L Gas	

AR = Use as required - = Non illustrated part # = New this model year

December 1, 2003

Fork and Rails Quadra Trac II on Demand [DHF]
Figure 247-910



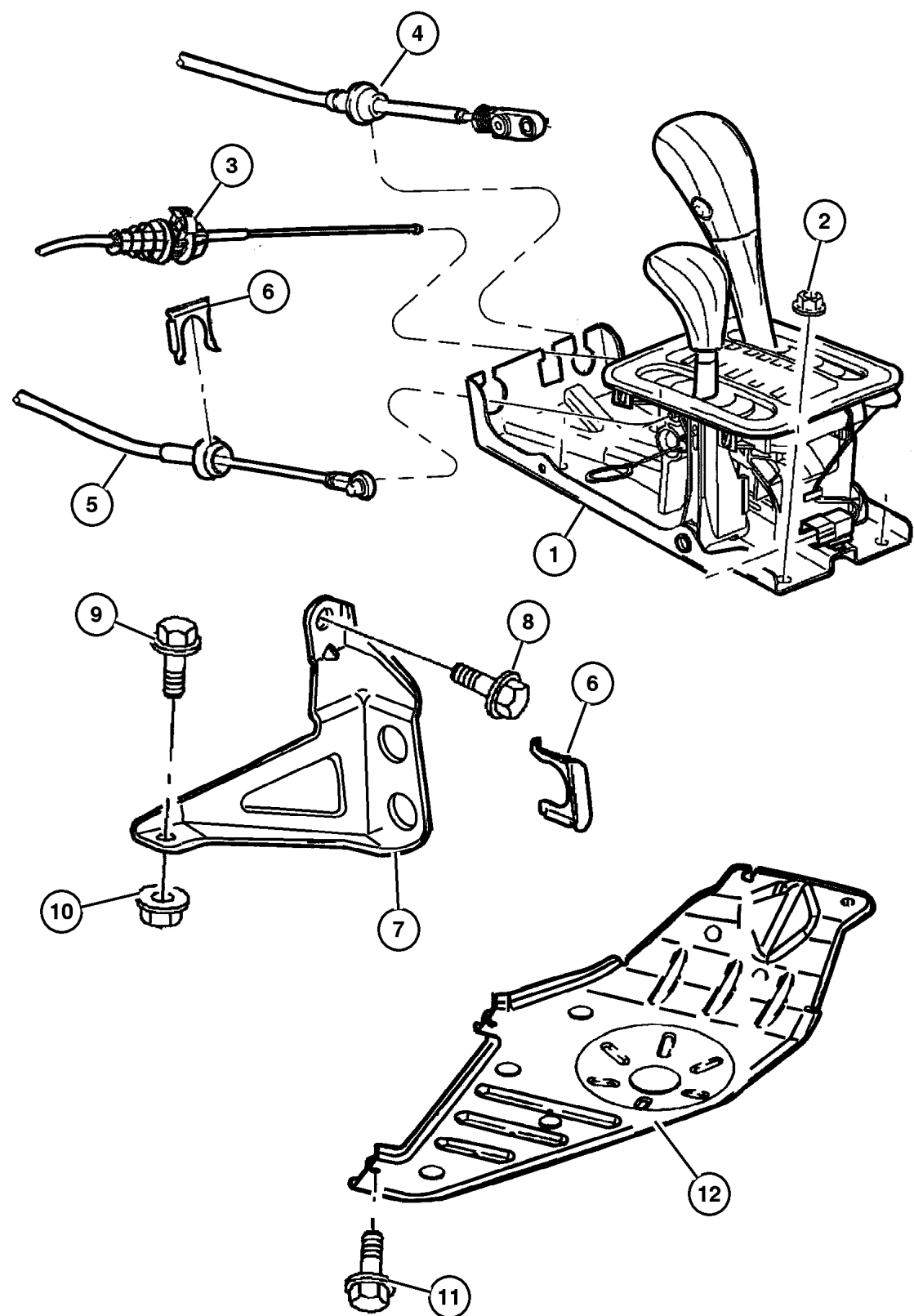
ITEM	PART NUMBER	QTY	LINE	SERIES	BODY	ENGINE	TRANS	TRIM	DESCRIPTION
NOTES: Sales Codes									
[ER0] = All 4.0L 6 Cylinder Gas Engines									
[EV0] = All 4.7L Gas Engines									
1	5012 312AA	1	J			ER0			SECTOR, Transfer Case
		1	J			EV0			
2	4798 136	1	J			ER0			FORK, Range
		1	J			EV0			
3	4798 135	1	J			ER0			RAIL, Transfer Case
		1	J			EV0			
4	5012 333AA	1	J			ER0			LEVER, Transfer Case
		1	J			EV0			
5	S243 6163	1	J			ER0			WASHER, Flat
		1	J			EV0			
6	6030 310	1	J			ER0			NUT
		1	J			EV0			
7	4167 963	1	J			ER0			SEAL, O-Ring
		1	J			EV0			
8	4167 964	1	J			ER0			SEAL, O-Ring
		1	J			EV0			

JEEP GRAND CHEROKEE (WJ)

SERIES	LINE	BODY	ENGINE	TRANSMISSION
H = Laredo	J = 4WD	74 = 4 Door	ERH = 4.0L, Power Tech I-6	DGK = 4 Speed Auto, 42RE
M = Sport	T = 2WD		EVA = 4.7L Power Tech V8	DGQ = 5 Speed Auto, 45RFE
P = Limited			EVC = 4.7L HO V8 MPI	DG0 = All Automatic Trans
S = Overland			ER0 = All 4.0L 6 Cyl Gas	
			EV0 = All 4.7L Gas	

AR = Use as required - = Non illustrated part # = New this model year

**Gearshift Controls Quadra Trac II on Demand [DHF]
Figure 247-1210**



ITEM	PART NUMBER	QTY	LINE	SERIES	BODY	ENGINE	TRANS	TRIM	DESCRIPTION
NOTES: Sales Codes									
[DGK] = 42RE 4 Speed Automatic Transmissions									
[DGQ] = 45RFE 5 Speed Automatic Transmissions									
[DG0] = All Automatic Transmissions									
[EVC] = 4.7L Power Tech Eight Cylinder Engine									
[ER0] = All 4.0L Gas Engines									
[EV0] = All 4.7L Gas Engines									
1	52109 672AC	1	J			ER0, EV0	DGK, DGQ		HOUSING AND LEVER, Shifter With [DHF] Without [DSB]
	52109 673AD	1	J			ER0, EV0	DGK, DGQ		With [DHF] And [DSB]
2	6506 929AA	1							NUT, Hex Flange Lock, M8x1.25
3	52109 606AA	1					DG0		CABLE, Park Interlock
4	52104 060AD	1					DG0		CABLE, Gearshift Control
5	52104 218AB	1	J				DG0		CABLE, Gearshift Control
6	4269 830	2	J						CLIP, Cable
7	52104 220AB	1	J				DGQ		BRACKET, Torque Shaft
	5210 4219	1	J				DGK		
8	6503 119	4							SCREW AND WASHER, Hex Head, M10x1.5x40
9	6101 054	1	J				DGK		BOLT AND WASHER, Hex Head, M10x1.5x40
10	6503 231	1	J				DGK		NUT, Brake Line
11	6503 571	4							SCREW AND WASHER, M10x1.50x35
12	5205 8922	1	J						SKID PLATE, Transfer Case

JEEP GRAND CHEROKEE (WJ)

SERIES	LINE	BODY	ENGINE	TRANSMISSION
H = Laredo	J = 4WD	74 = 4 Door	ERH = 4.0L, Power Tech I-6	DGK = 4 Speed Auto, 42RE
M = Sport	T = 2WD		EVA = 4.7L Power Tech V8	DGQ = 5 Speed Auto, 45RFE
P = Limited			EVC = 4.7L HO V8 MPI	DG0 = All Automatic Trans
S = Overland			ER0 = All 4.0L 6 Cyl Gas	
			EV0 = All 4.7L Gas	

AR = Use as required - = Non illustrated part # = New this model year

December 1, 2003

Group – 022

Wheels, Covers and Jacks

GROUP 22 - Wheels, Covers and Jacks

Illustration Title

Group-Fig. No.

Wheels and Hardware

Wheels and Hardware Fig. 022-130

Wheel Covers and Center Caps

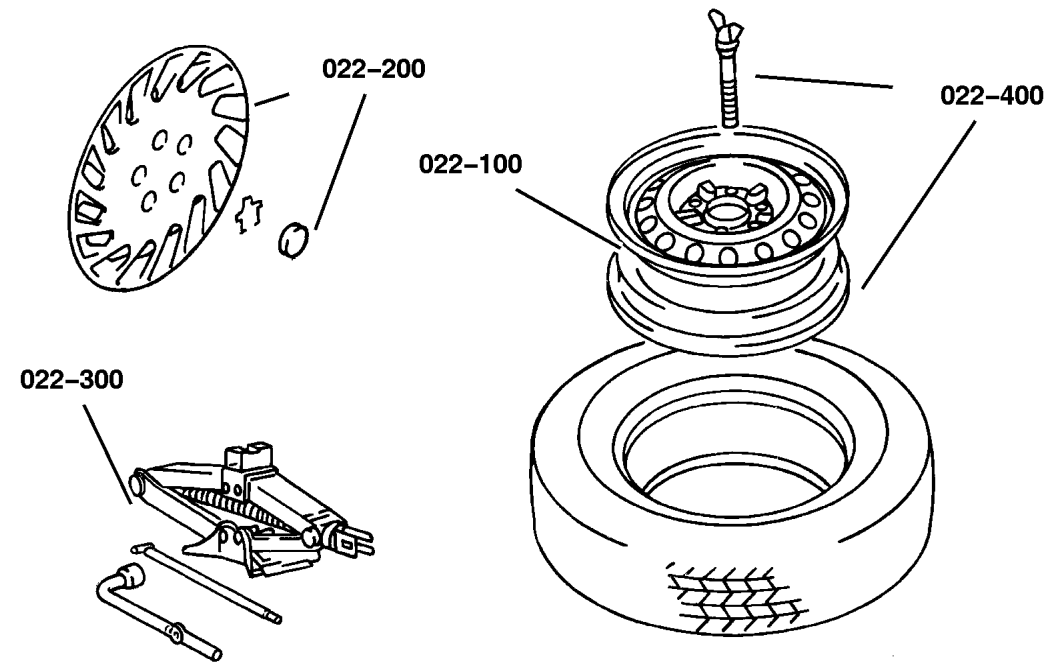
Caps, Wheel Cover and center Fig. 022-230


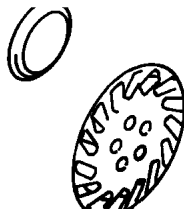
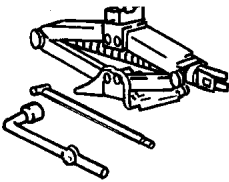
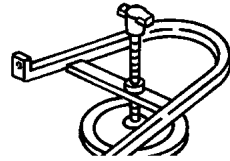
Jack Stowage

Jack Stowage Fig. 022-330

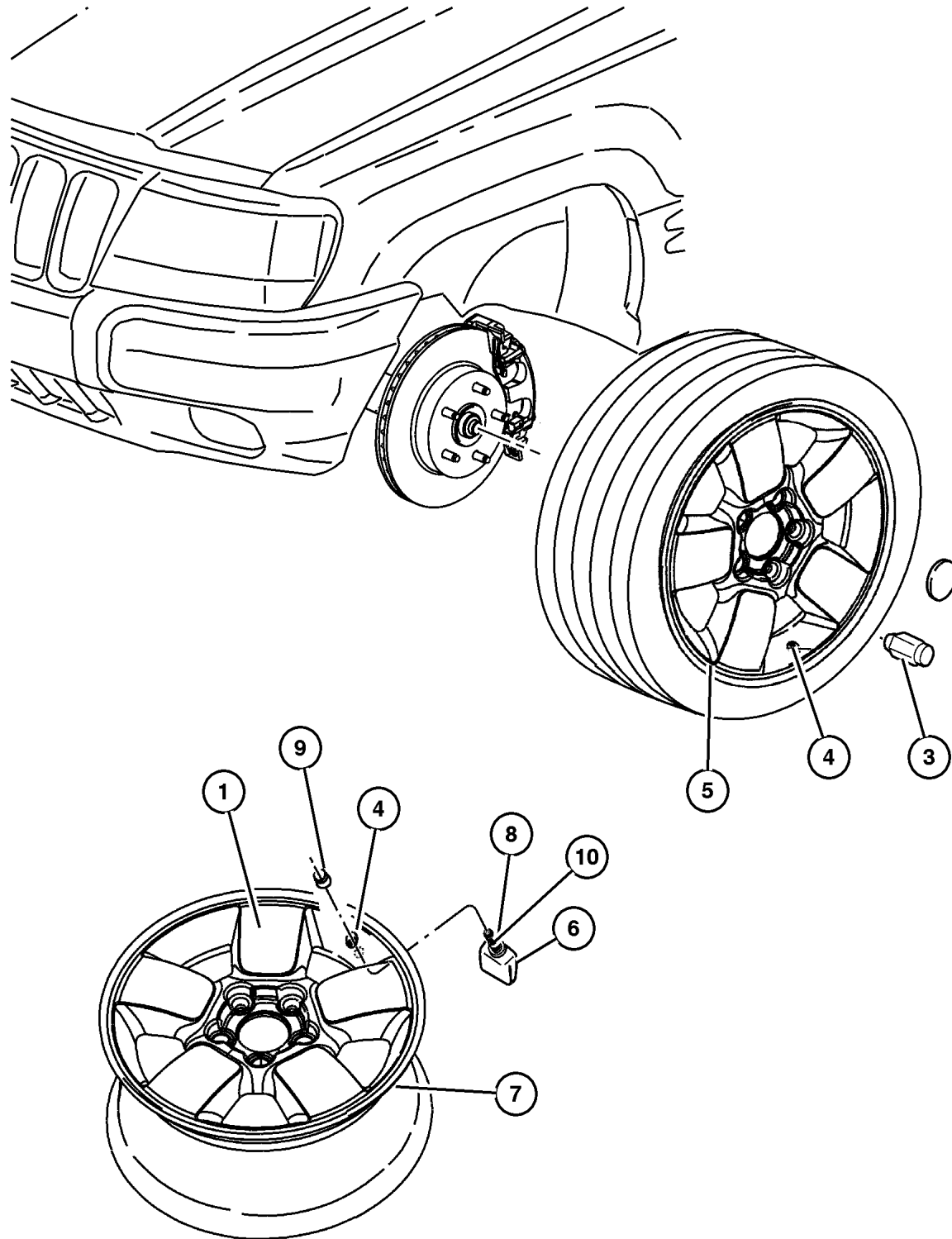
Spare Tire Stowage

Spare Wheel Stowage Fig. 022-460



<p>022-100 Wheels and Hardware</p> 	<p>022-200 Wheel Covers and Center Caps</p> 	<p>022-300 Jack Stowage</p> 	<p>022-400 Spare Tire Stowage</p> 
---	--	---	--

Wheels and Hardware Figure 022-130



ITEM	PART NUMBER	QTY	LINE	SERIES	BODY	ENGINE	TRANS	TRIM	DESCRIPTION
Note: Sales Code WDR,WDS = 16x7.0 Aluminum Wheel									
Note: Sales Code WGP = 17x7.5 Cast Aluminum									
Note: Sales Code WFZ = 17 x 7.5 Aluminum, 7 Spoke									
1									WHEEL, Aluminum
	52080 260AA	4							[WGM]
	52080 333AA	4							[WGW]
	5EZ98 TAEAB	4							[WDS]
	5EZ99 PAKAD	4							[WDR]
	#5HE38 PAKAC	4							[WGP], Small Cap
	5HF54 PAKAA	4							[WGP], Large Cap [5HF45PAKAA]
	5HU03 MA8AA	4							[WFZ]
	5HF55 ZDRAA	4							[WFQ]
	#52080 465AA	4							[WPV]
-2									WHEEL, Steel
	4766 601AA	1							[WF1]
	5208 8446	1							[WDQ]
3	6036 310AA	20							NUT, Wheel, .50x20
4	2073 355	5							STEM, Wheel Valve
5									WEIGHT, Wheel Balance Tape, (NOT SERVICED) (Not Serviced)
6	52088 990AC	4							SENSOR, Tire Pressure, valve stem
7	52109 664AA	1							MAGNET
8	52088 961AA	5							NUT
9	5083 124AA	4							CAP, Valve Stem, Chrome
10	5083 123AA	4							GROMMET
-11	4897 346AA	4							VALVE CORE, WHEEL SENSOR VALVE, ALUMINUM

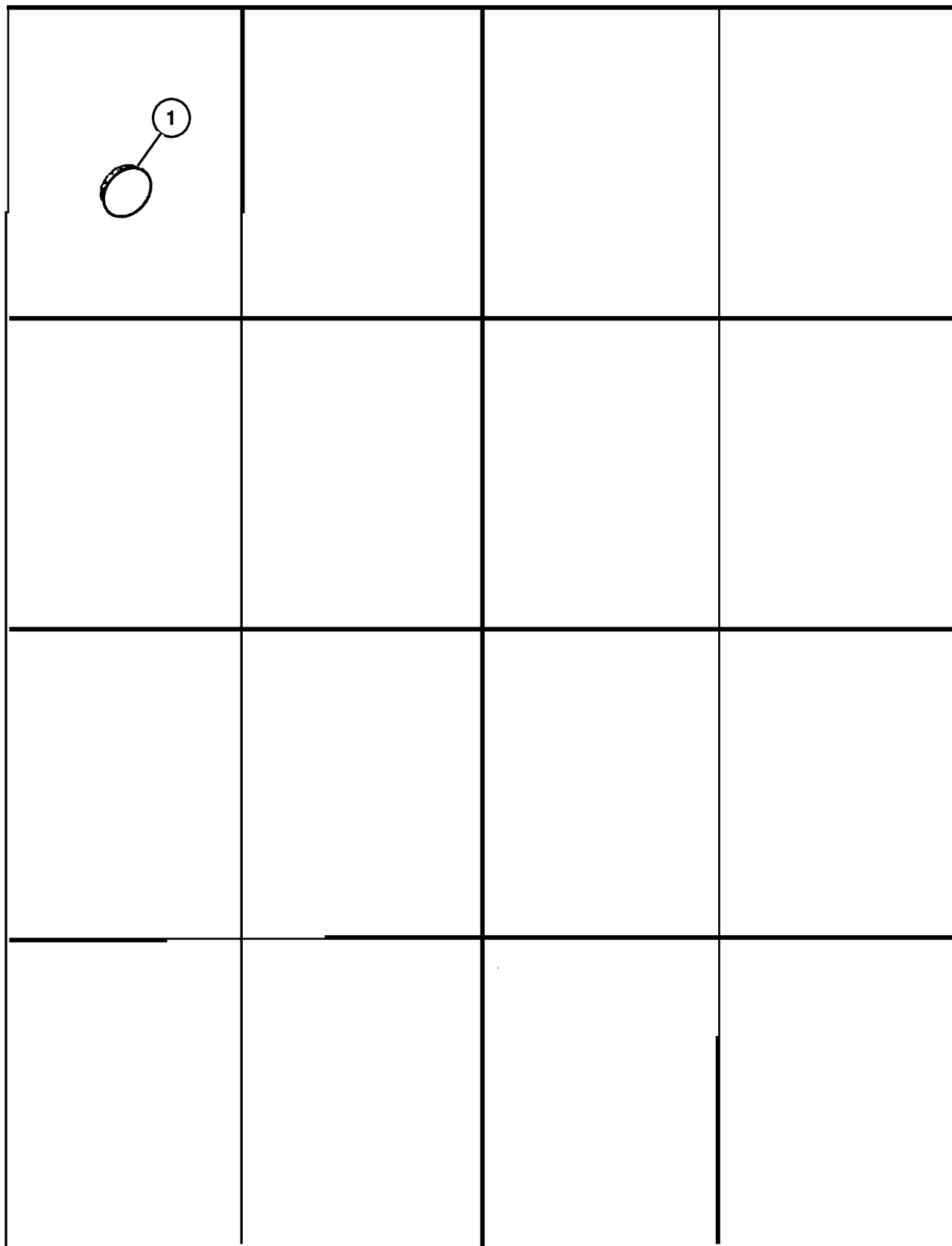
JEEP GRAND CHEROKEE (WJ)

SERIES	LINE	BODY	ENGINE	TRANSMISSION
H = Laredo	J = 4WD	74 = 4 Door	ERH = 4.0L, Power Tech I-6	DGK = 4 Speed Auto, 42RE
M = Sport	T = 2WD		EVA = 4.7L Power Tech V8	DGQ = 5 Speed Auto, 45RFE
P = Limited			EVC = 4.7L HO V8 MPI	DG0 = All Automatic Trans
S = Overland			ER0 = All 4.0L 6 Cyl Gas	
			EVO = All 4.7l Gas	

AR = Use as required - = Non illustrated part # = New this model year

December 1, 2003

**Caps, Wheel Cover and center
Figure 022-230**



ITEM	PART NUMBER	QTY	LINE	SERIES	BODY	ENGINE	TRANS	TRIM	DESCRIPTION
------	-------------	-----	------	--------	------	--------	-------	------	-------------

Note:
 WFZ = 17 x 7.5 Aluminum
 WGP = 17 x 7.5 Aluminum
 WDR = 16 x 7.0 Aluminum
 WGM = 17 x 7.5 Aluminum
 WDS = 16 x 7.0 Aluminum

1									CAP, Wheel Center
	52080 263AA	4							[WGM]
	52080 334AA	4							[WGW]
	52059 522AA	4							[WDR,WDS,WGP] Small Cap [WGP], For Large Cap [WGP] Use 5HF45PAKAA.
	5HF52 XZAAA	4							[WGG,WF9,WFQ]
	#52080 466AA	4							[WPV]

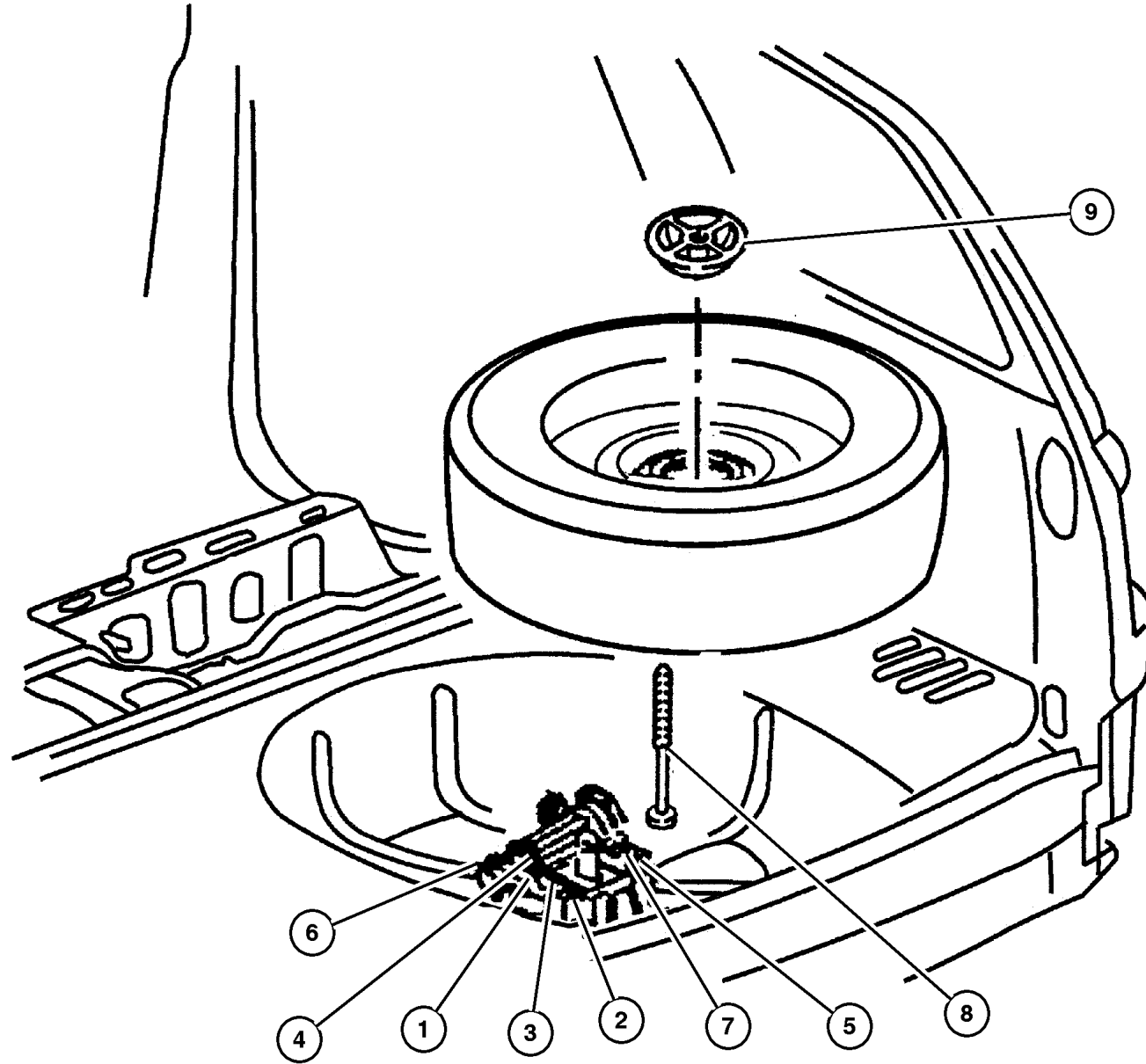
JEEP GRAND CHEROKEE (WJ)

SERIES	LINE	BODY	ENGINE	TRANSMISSION
H = Laredo	J = 4WD	74 = 4 Door	ERH = 4.0L, Power Tech I-6	DGK = 4 Speed Auto, 42RE
M = Sport	T = 2WD		EVA = 4.7L Power Tech V8	DGQ = 5 Speed Auto, 45RFE
P = Limited			EVC = 4.7L HO V8 MPI	DG0 = All Automatic Trans
S = Overland			ER0 = All 4.0L 6 Cyl Gas	
			EVO = All 4.7l Gas	

AR = Use as required - = Non illustrated part # = New this model year

December 1, 2003

Jack Stowage
Figure 022-330



ITEM	PART NUMBER	QTY	LINE	SERIES	BODY	ENGINE	TRANS	TRIM	DESCRIPTION
1	#52080 427AA	1							JACK
2	5205 9121	1							EXTENSION, Jack Handle, With [RCE]
3	#52059 122AC	1							EXTENSION, Jack Handle BRACKET, Tool Hold Down
4	52059 134AA	2							Bottle Jack
	#52080 435AA	1							Scissor Jack [under seat]
5	6100 048	4							NUT, Hex, M6x1.00
6	52059 105AB	1							WRENCH, Wheel Lug Nut
7	52059 148AA	1							CLIP
8									J BOLT, Spare Tire Hold Down, (NOT SERVICED) (Not Serviced)
9	52059 414AD	1							CUP, Spare Tire Retention
-10	6503 070	1							WINGNUT, Jack and Tire Hold Down

JEEP GRAND CHEROKEE (WJ)

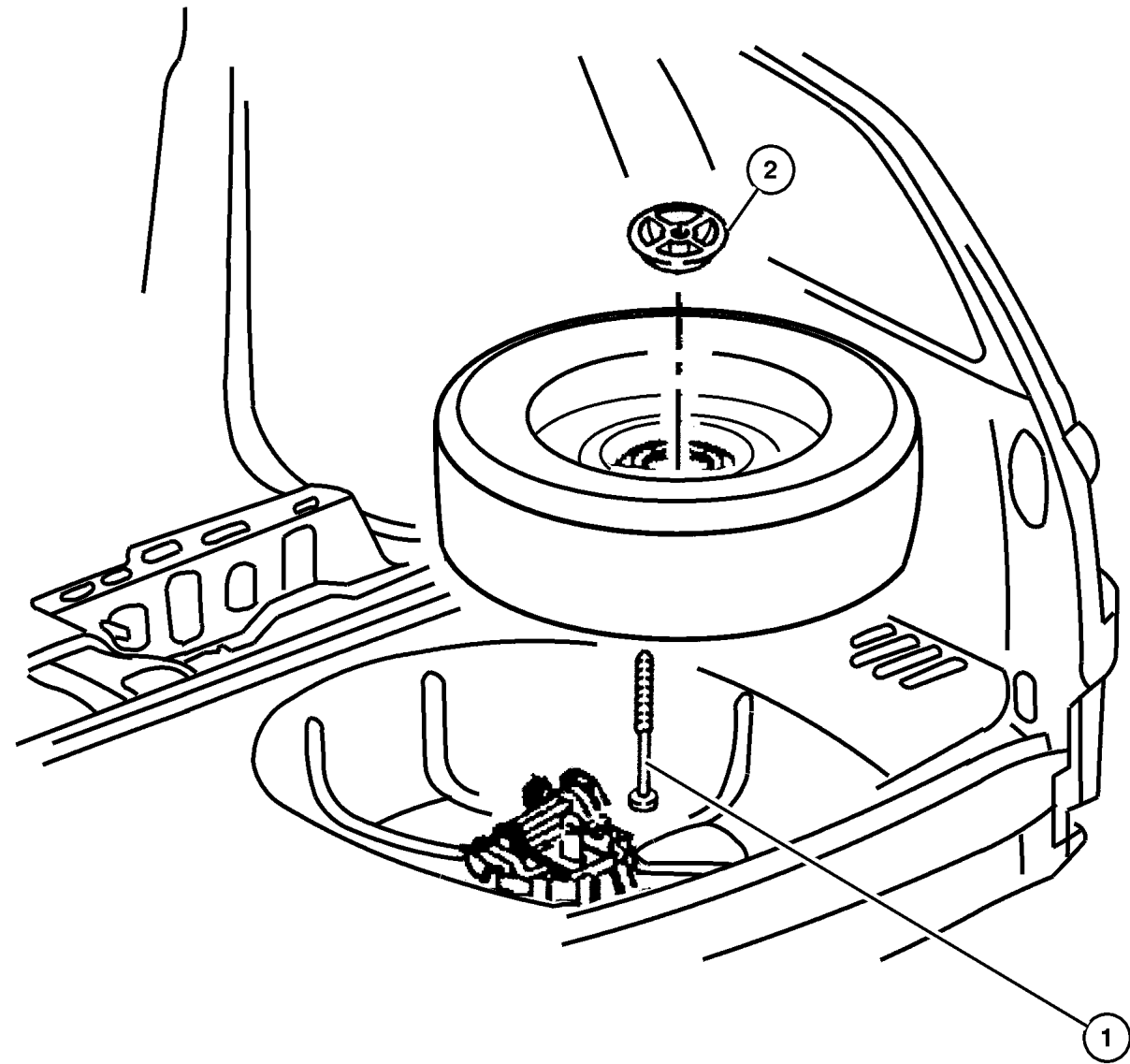
SERIES	LINE	BODY	ENGINE	TRANSMISSION
H = Laredo	J = 4WD	74 = 4 Door	ERH = 4.0L, Power Tech I-6	DGK = 4 Speed Auto, 42RE
M = Sport	T = 2WD		EVA = 4.7L Power Tech V8	DGQ = 5 Speed Auto, 45RFE
P = Limited			EVC = 4.7L HO V8 MPI	DG0 = All Automatic Trans
S = Overland			ER0 = All 4.0L 6 Cyl Gas	
			EVO = All 4.7l Gas	

AR = Use as required - = Non illustrated part # = New this model year

December 1, 2003

Spare Wheel Stowage
Figure 022-460

ITEM	PART NUMBER	QTY	LINE	SERIES	BODY	ENGINE	TRANS	TRIM	DESCRIPTION
1	52059 169AB	1							BOLT, J, M10x1.5x150
2	52059 414AD	1							CUP, Spare Tire Retention



JEEP GRAND CHEROKEE (WJ)				
SERIES	LINE	BODY	ENGINE	TRANSMISSION
H = Laredo	J = 4WD	74 = 4 Door	ERH = 4.0L, Power Tech I-6	DGK = 4 Speed Auto, 42RE
M = Sport	T = 2WD		EVA = 4.7L Power Tech V8	DGQ = 5 Speed Auto, 45RFE
P = Limited			EVC = 4.7L HO V8 MPI	DG0 = All Automatic Trans
S = Overland			ER0 = All 4.0L 6 Cyl Gas	
			EVO = All 4.7l Gas	

AR = Use as required - = Non illustrated part # = New this model year

December 1, 2003

Group – 23D

Wiper/Lock Cylinder and Keys

GROUP 23D - Wiper/Lock Cylinder and Keys

Illustration Title

Group-Fig. No.

Lock Cylinders and Keys

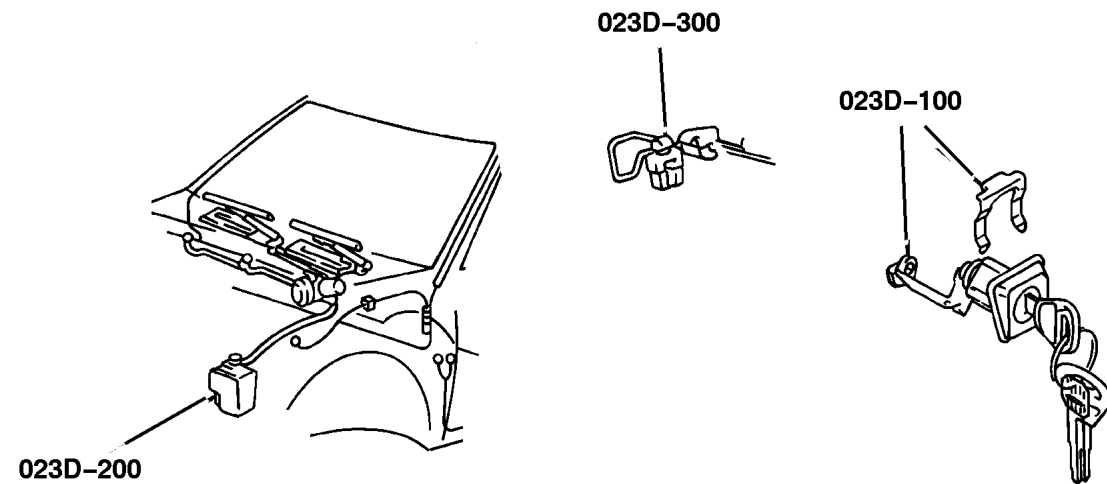
Lock Cylinder & Keys Fig. 23D-130

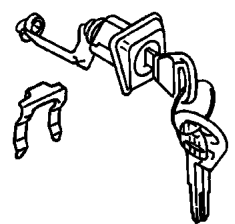
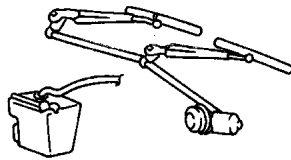
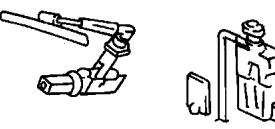
Windshield Wiper and Washer Systems

Windshield Wiper & Washer Fig. 23D-230

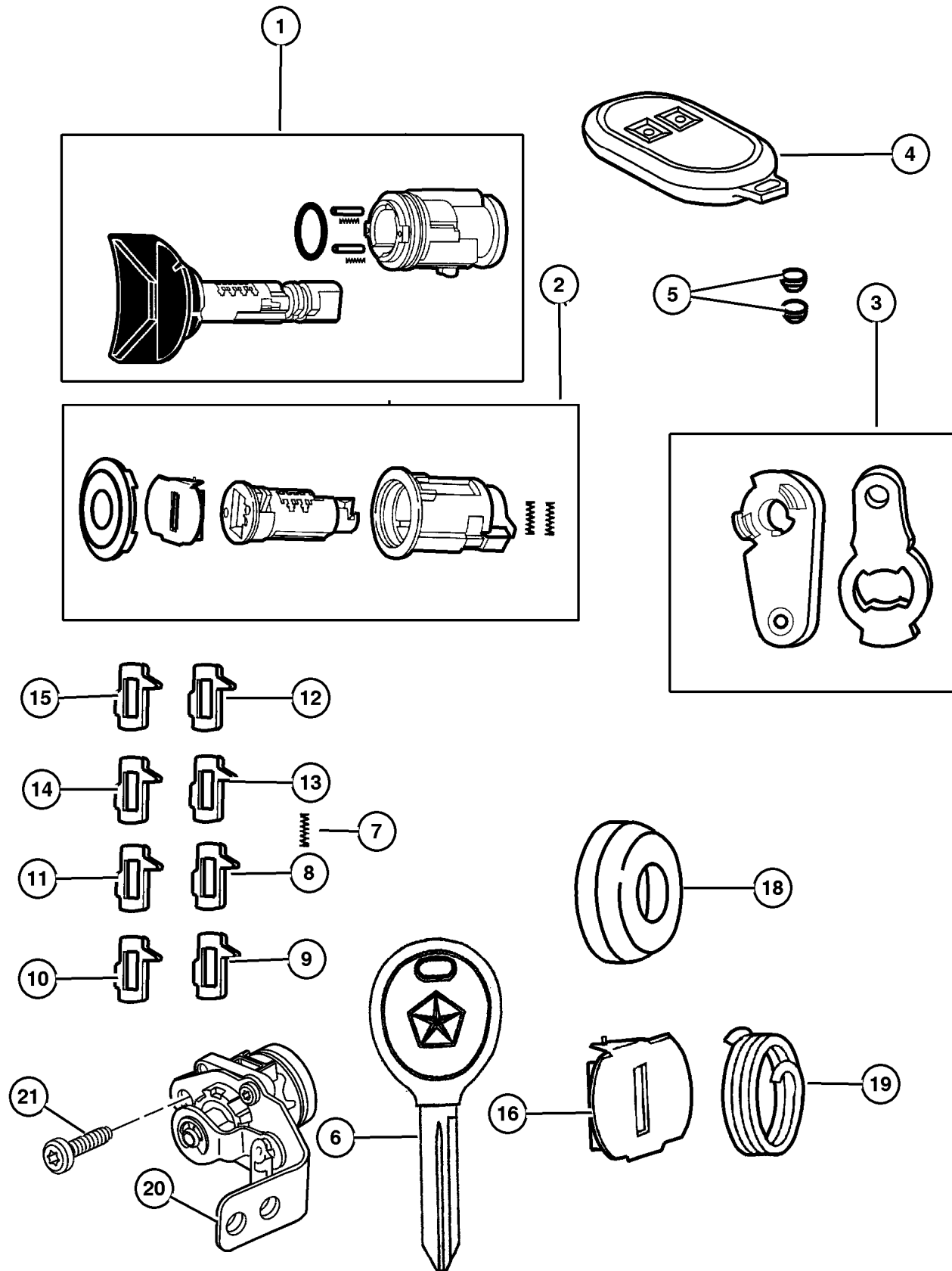
Rear Wiper and Washer System

Rear Wiper & Washer System Fig. 23D-330



<p>23D-100 Lock Cylinders and Keys</p> 	<p>23D-200 Windshield Wiper and Washer Systems</p> 	<p>23D-300 Rear Wiper and Washer System</p> 	
---	---	---	--

Lock Cylinder & Keys Figure 23D-130



ITEM	PART NUMBER	QTY	LINE	SERIES	BODY	ENGINE	TRANS	TRIM	DESCRIPTION
1	5083 915AA	1							CYLINDER, Ignition Lock
2	5013 682AA	1							CYLINDER, Door Lock
3	55136 554AA	1							LEVER, Door Lock Cylinder
4	56036 859AD	1							TRANSMITTER, Keyless Entry Frequency 315 (#1) Primary Driver
	56036 860AD	1							Frequency 433 (#2) Secondary Driver
5	8350 4802	1							BATTERY, Transmitter
6	5018 699AA	1							KEY, Master
7	5010 883AB	1							SPRING, Ignition Tumbler, Sidebar
8	4778 117	1	T						TUMBLER, Door and Deck Number 1, Wide
9	4778 118	1	T						TUMBLER, Door and Deck Number 2, Wide
10	4778 119	1	T						TUMBLER, Door and Deck Number 3, Wide
11	4778 120	1	T						TUMBLER, Door and Deck Number 4, Wide
12	5010 879AA	1							TUMBLER, Ignition Number 1, Sidebar
13	5010 880AA	1							TUMBLER, Ignition Number 2, Sidebar
14	5010 881AA	1							TUMBLER, Ignition Number 3, Sidebar
15	5010 882AA	1							TUMBLER, Ignition Number 4, Sidebar
16									SHUTTER, Door, Deck and Liftgate, Bright, Serviced in Lock Kit Only, (NOT SERVICED) (Not Serviced)
-17	5019 605AA	1	T						SHUTTER, Lock Cylinder
18	4778 149	1	T						CAP, Door Lock Cylinder, Bright
19	4778 121	1							SPRING, Door and Deck Tumbler
20	55136 763AA	1							BRACKET, Security
21	5013 808AA	1							SCREW, Security Bracket Mounting
-22	55136 557AA	1							SWITCH, Security Alarm
-23	4686 665AC	1							MODULE, Immobilizer
-24	4378 793	1	J						SPRING, Cylinder Return

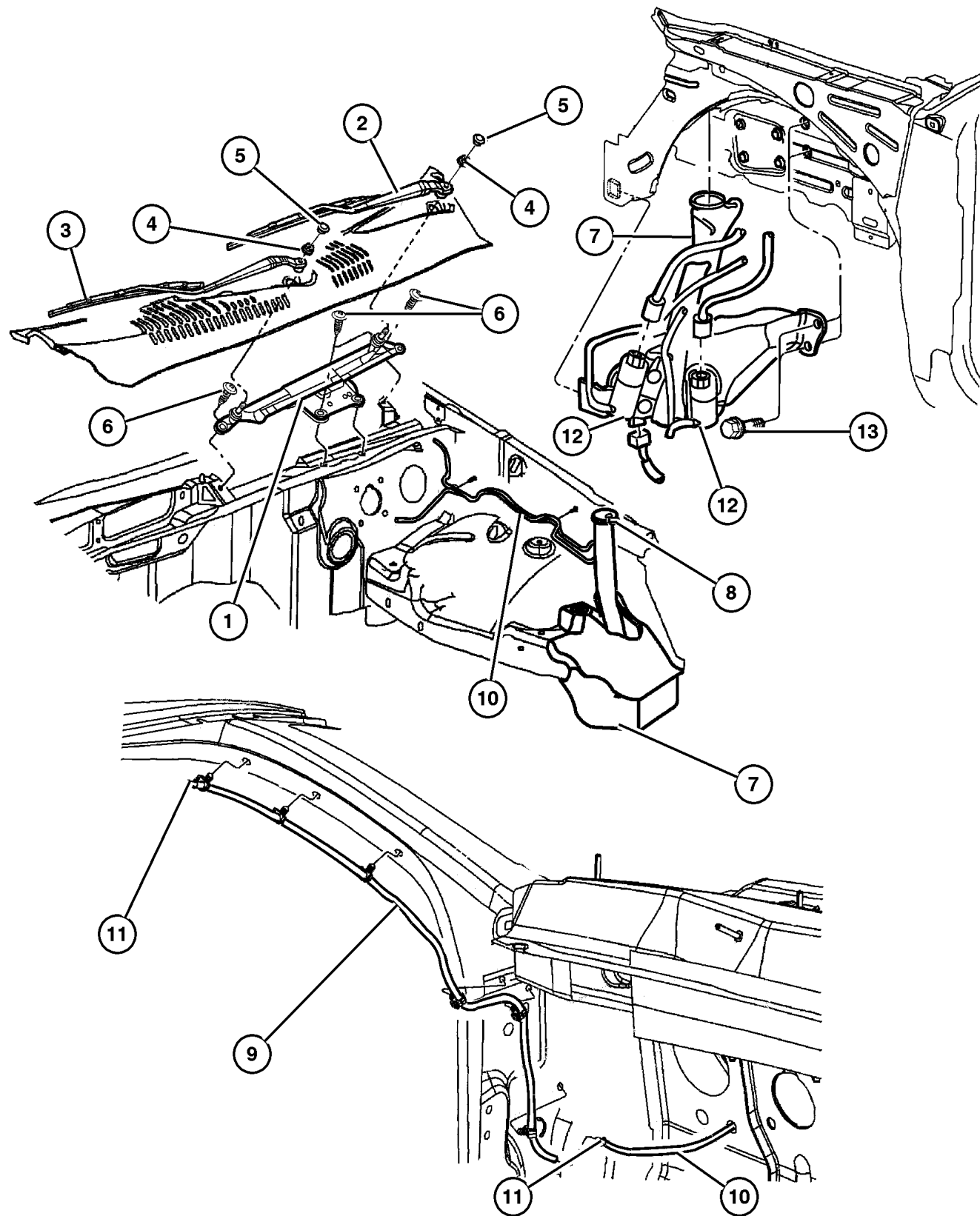
JEEP GRAND CHEROKEE (WJ)

SERIES	LINE	BODY	ENGINE	TRANSMISSION
H = Laredo	J = 4WD	74 = 4 Door	ERH = 4.0L, Power Tech I-6	DGK = 4 Speed Auto, 42RE
M = Sport	T = 2WD		EVA = 4.7L Power Tech V8	DGQ = 5 Speed Auto, 45RFE
P = Limited			EVC = 4.7L HO V8 MPI	DG0 = All Automatic Trans
S = Overland			ER0 = All 4.0L 6 Cyl Gas	
			EVO = All 4.7L Gas	

AR = Use as required - = Non illustrated part # = New this model year

December 1, 2003

Windshield Wiper & Washer Figure 23D-230



ITEM	PART NUMBER	QTY	LINE	SERIES	BODY	ENGINE	TRANS	TRIM	DESCRIPTION
Notes:									
	[ER0]=4.0L Engine								
	[EV0]=4.7L Engine								
1	55155 092AD	1							MODULE, Wiper, Wiper Motor Included
2	5102 042AA	1							ARM, Wiper Drivers Side
	5102 043AA	1							ARM, Wiper Passenger Side
3	5102 044AA	1							BLADE, Wiper
4	6503 335	2							NUT, Hex, M10X1.25
5	55155 765AA	2							CAP, Wiper Arm Nut
6	6100 568	4							BOLT AND WASHER, Implement Attaching
7	5069 421AA	1							RESERVOIR, Washer
8	5012 603AA	1							CAP, Washer Reservoir
9	55155 522AF	1							HOSE, Windshield Washer
10	HWV00 532AB	1							HOSE 1FT, Windshield Washer, 5/32"
11	4778 224	1							CONNECTOR, Washer Hose, In Line
12	55077 301AB	1							PUMP, Washer, Windshield
13									SCREW, .250-14x.875, (NOT SERVICED) (Not Serviced)
-14	55156 723AA	2							NOZZLE, Washer, Windshield
-15	4882 797	1							SENSOR, Washer Fluid Level
-16	5013 755AA	1							GROMMET, Washer Reservoir, Sensor Grommet
-17	5011 809AA	1							GROMMET, Windshield Washer Pump, Pump Grommet
-18	55155 694AB	1							HOSE, Washer Reservoir

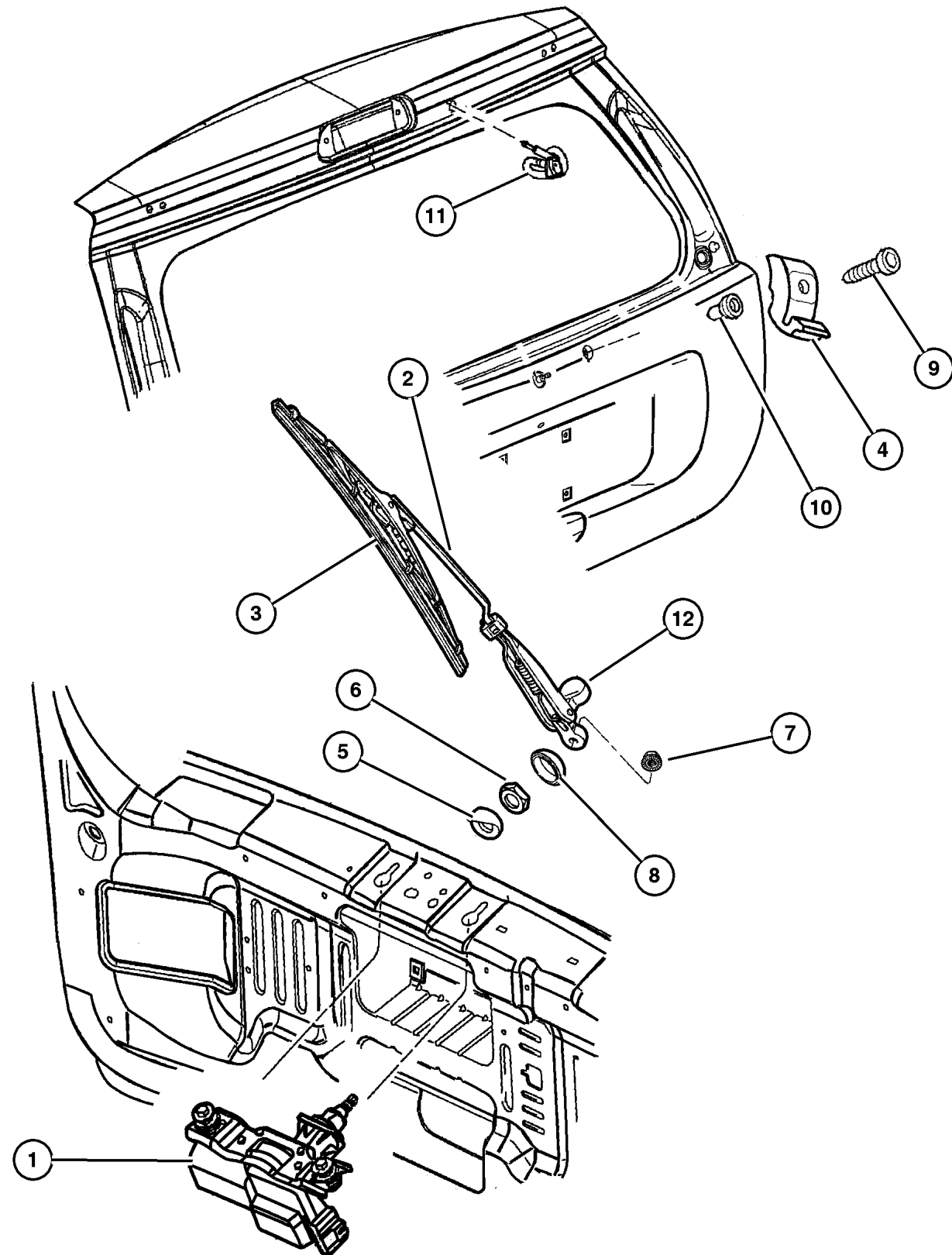
JEEP GRAND CHEROKEE (WJ)

SERIES	LINE	BODY	ENGINE	TRANSMISSION
H = Laredo	J = 4WD	74 = 4 Door	ERH = 4.0L, Power Tech I-6	DGK = 4 Speed Auto, 42RE
M = Sport	T = 2WD		EVA = 4.7L Power Tech V8	DGQ = 5 Speed Auto, 45RFE
P = Limited			EVC = 4.7L HO V8 MPI	DG0 = All Automatic Trans
S = Overland			ER0 = All 4.0L 6 Cyl Gas	
			EVO = All 4.7L Gas	

AR = Use as required - = Non illustrated part # = New this model year

December 1, 2003

Rear Wiper & Washer System Figure 23D-330



ITEM	PART NUMBER	QTY	LINE	SERIES	BODY	ENGINE	TRANS	TRIM	DESCRIPTION
1	55155 122AG	1							MOTOR, Wiper
2	5102 882AA	1							ARM, Liftgate Wiper
3	5102 881AA	1							BLADE, Wiper
4	5515 5124	1							RAMP, Wiper Park
5	5515 5358	1							BEZEL, Wiper Motor
6	6507 801AA	1							NUT, Hex, M20x1.00
7	6500 165	1							NUT, Wiper Arm
8	5507 6650	1							COVER, Rear Wiper Motor
9	6505 062AA	1							SCREW, Pilot Point
10	6503 245	1							RIVET, Ramp Attaching
11	55155 201AC	1							NOZZLE, Washer, Windshield
12	55077 097AC	1							CAP, Wiper Arm Nut
-13	55077 241AB	1							PUMP, Washer, Windshield
-14	4882 797	1							SENSOR, Washer Fluid Level
-15	55155 524AC	1							HOSE, Windshield Washer

JEEP GRAND CHEROKEE (WJ)

SERIES	LINE	BODY	ENGINE	TRANSMISSION
H = Laredo	J = 4WD	74 = 4 Door	ERH = 4.0L, Power Tech I-6	DGK = 4 Speed Auto, 42RE
M = Sport	T = 2WD		EVA = 4.7L Power Tech V8	DGQ = 5 Speed Auto, 45RFE
P = Limited			EVC = 4.7L HO V8 MPI	DG0 = All Automatic Trans
S = Overland			ER0 = All 4.0L 6 Cyl Gas	
			EVO = All 4.7l Gas	

AR = Use as required - = Non illustrated part # = New this model year

December 1, 2003

Group – 024

Air Conditioning & Heater

GROUP 24 - Air Conditioning & Heater

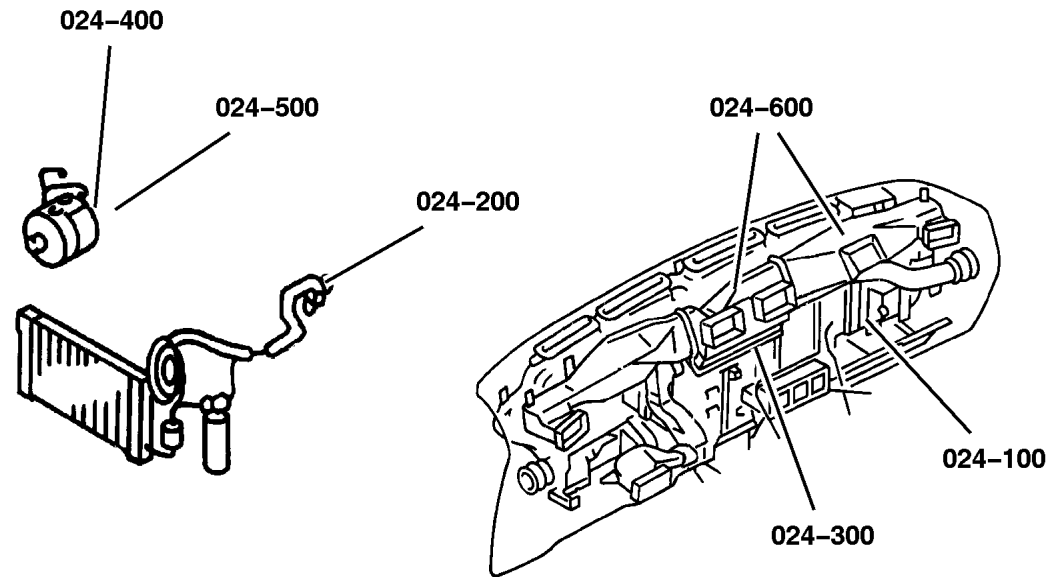


Illustration Title

Group-Fig. No.

Air Conditioner and Heater Units

HEVAC with Auto Temp Control, LHD Fig. 024-150

HEVAC with Manual Control, LHD Fig. 024-170

Air Conditioner and Heater Plumbing

Hoses, Heater 4.0L Engine Fig. 024-240

Hoses, Heater 4.7L Engine Fig. 024-245

Accumulator, Condenser and Lines 4.0L Engines Fig. 024-250

Accumulator, Condenser and Lines 4.7L Engine Fig. 024-255

Hevac Vacuum Engine Lines and Controls Fig. 024-260

Air Conditioner and Heater Controls

Control, Heater and Air Conditioner Fig. 024-330

Air Conditioning Compressor

Compressor, Air Conditioning 4.0L Engine Fig. 024-410

Compressor, Air Conditioning 4.7L Engine Fig. 024-420

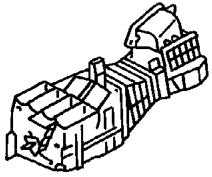
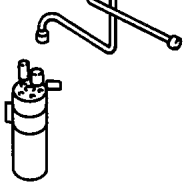
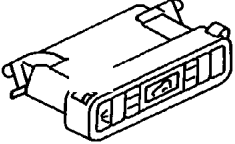
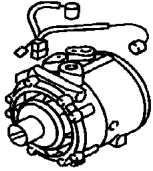
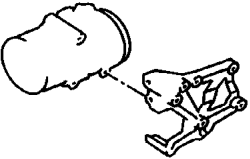
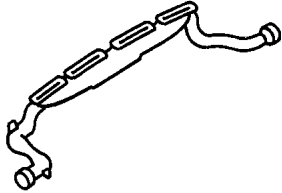
Air Conditioning Compressor Mounting

Compressor, Mounting 4.0L Engine Fig. 024-510

Compressor, Mounting 4.7L Engine Fig. 024-520

Air Ducts and Outlets

Air Ducts and Outlets Fig. 024-610

<p>024-100 Air Conditioner and Heater Units</p> 	<p>024-200 Air Conditioner and Heater Plumbing</p> 	<p>024-300 Air Conditioner and Heater Controls</p> 	<p>024-400 Air Conditioning Compressor</p> 
<p>024-500 Air Conditioning Compressor Mounting</p> 	<p>024-600 Air Ducts and Outlets</p> 		

HEVAC with Auto Temp Control, LHD
Figure 024-150

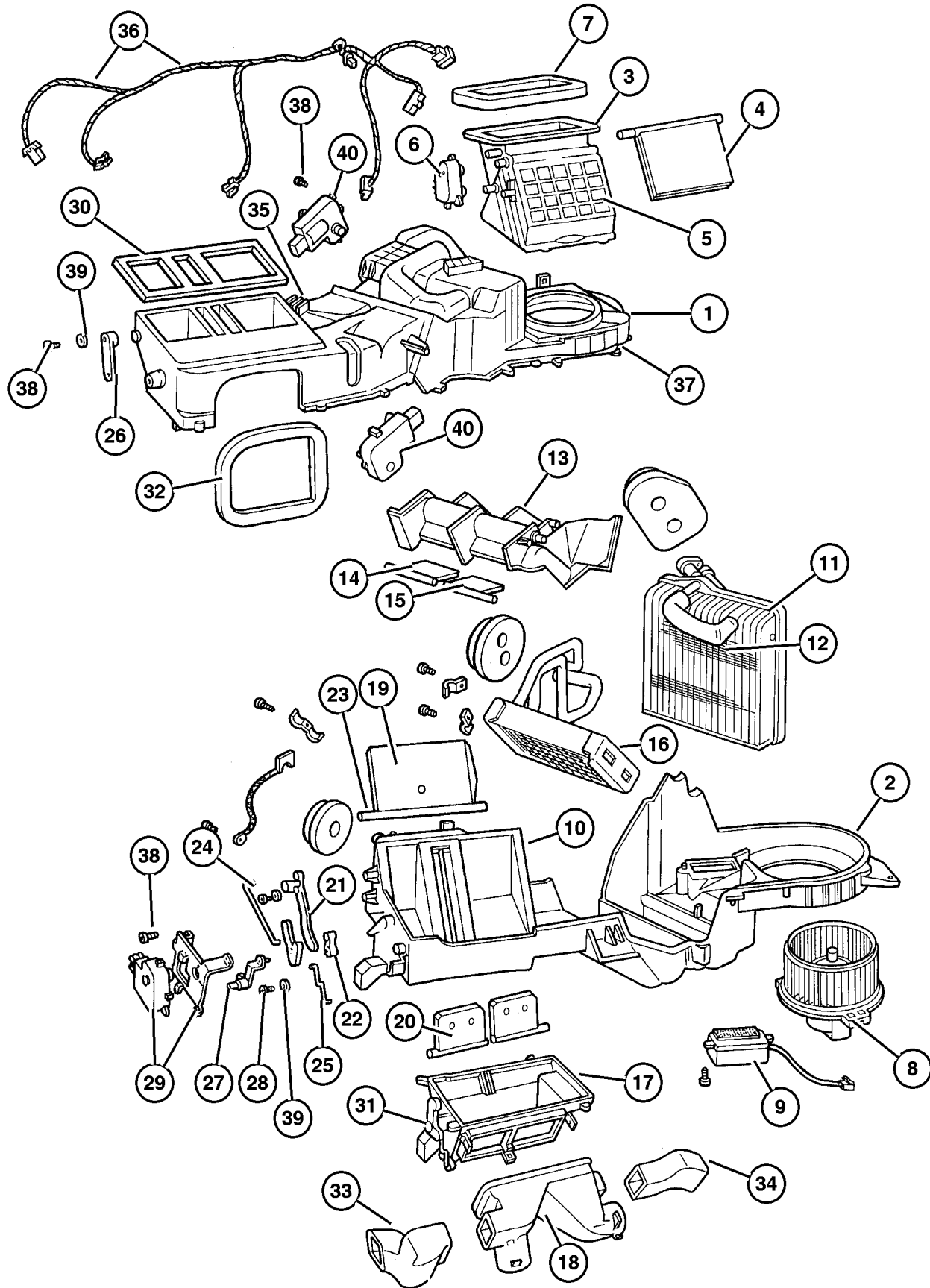
ITEM	PART NUMBER	QTY	LINE	SERIES	BODY	ENGINE	TRANS	TRIM	DESCRIPTION
Note: Sales Codes:									
EVO = All 4.7L Gas Engines									
HAF = Auto Temp Control									
1	5073 483AC	1							CASE, Heater And A/C Unit, Upper
2	5101 785AA	1							CASE, Heater And A/C Unit, Lower
3	5012 713AC	1							HOUSING, Air Recirculating
4	5012 712AA	1							DOOR, Air Inlet
5	5012 711AA	3							LINK, Heater and Damper Control
6	5012 710AA	2							SERVO, A/C Temperature Door
7	5012 709AA	1							SEAL, Air Inlet
8	5096 256AA	1							MOTOR, Blower
9	5012 699AA	1							RESISTOR, Blower Motor, [HAF]
10	5012 698AB	1							INSULATOR, Air Conditioning
11	5101 786AA	1							EVAPORATOR, Air Conditioning
12	5101 760AA	1							THERMISTOR, A/C Evaporator Air, Probe
13	5073 480AB	1							CASE, Heater And A/C Unit
14	5012 693AA	1							DOOR, Blend Air
15	5012 692AA	1							DOOR, Blend Air
16	5101 761AA	1							CORE, Heater
17	5012 743AB	1							HOUSING, A/C Unit
18	5012 742AB	1							COVER, Heater
19	5012 740AB	1							DOOR, Distribution Duct
20	5012 739AA	1							DOOR, Floor Defroster Duct
21	5012 738AA	1							LEVER, Panel Door
22	5012 735AB	1							LEVER, Panel Door
23	5012 734AA	1							SHAFT, A/C and Heater Door
24	5012 733AB	1							LINK, Heater and Defroster Door
25	5012 732AA	1							SHAFT, Defroster Door
26	5012 731AA	1							LEVER, A/C Vent Defrost Door
27	5012 730AA	1							LEVER, Panel Door
28	5012 729AA	2							SCREW, Tapping
29	5012 728AB	1							SERVO, Mode Door
30	5012 727AA	1							SEAL, Demister
31	5012 726AA	1							SEAL, Defroster Duct
32	5015 354AA	1							SEAL, Panel
33	5012 722AD	1							DUCT, Floor Distribution
34	5012 722AD	1							DUCT, Floor Distribution
35	5012 721AA	1							SEAL, Air Conditioning Unit
36	5102 031AA	1							HARNASS
37	4720 533	32							SCREW, Heater Housing
38	4720 534	3							SCREW, Pan Head

JEEP GRAND CHEROKEE (WJ)

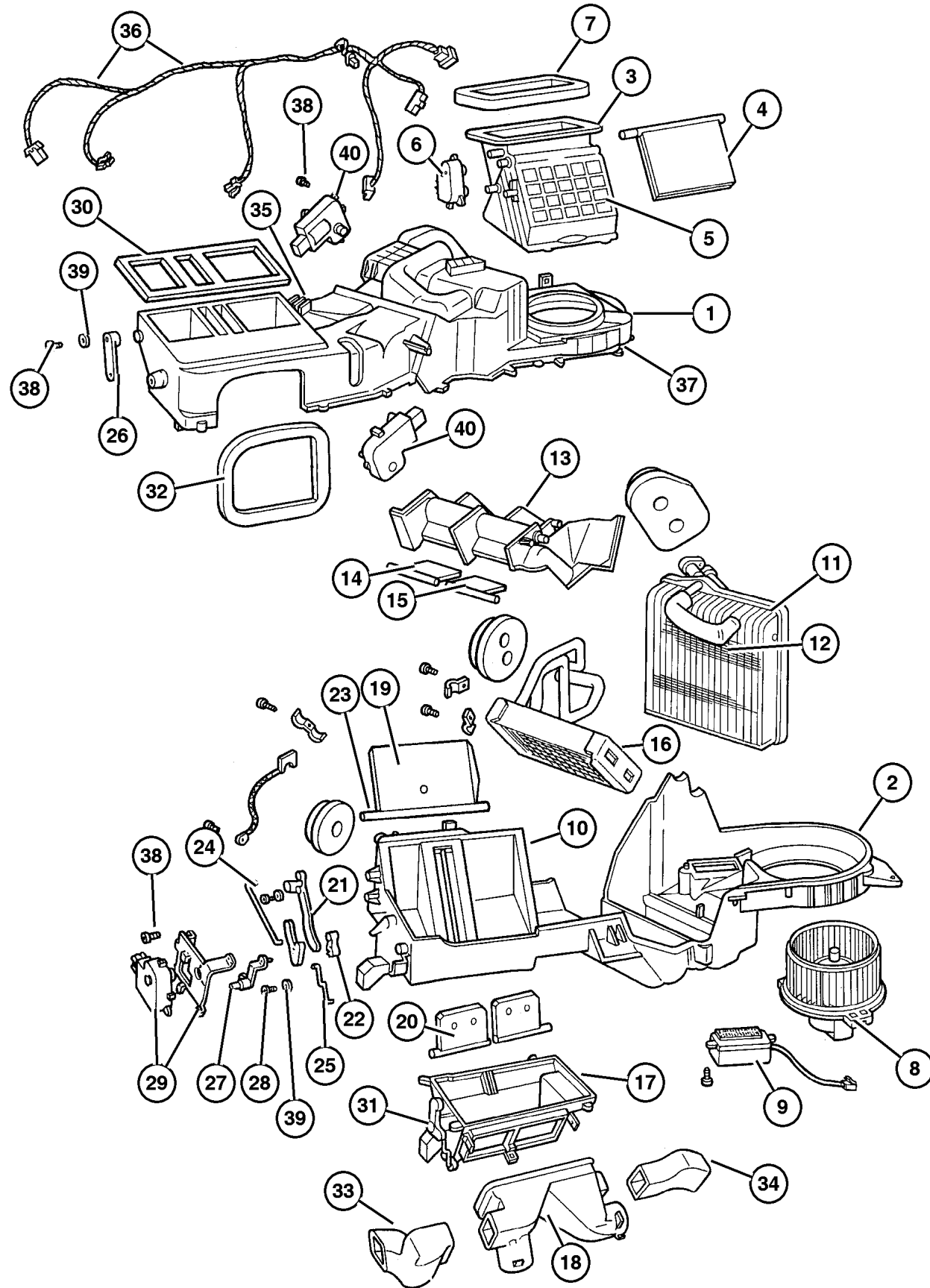
SERIES	LINE	BODY	ENGINE	TRANSMISSION
H = Laredo	J = 4WD	74 = 4 Door	ERH = 4.0L, Power Tech I-6	DGK = 4 Speed Auto, 42RE
M = Sport	T = 2WD		EVA = 4.7L Power Tech V8	DGQ = 5 Speed Auto, 45RFE
P = Limited			EVC = 4.7L HO V8 MPI	DG0 = All Automatic Trans
S = Overland			ER0 = All 4.0L 6 Cyl Gas	
			EVO = All 4.7L Gas	

AR = Use as required - = Non illustrated part # = New this model year

December 1, 2003



HEVAC with Auto Temp Control, LHD
Figure 024-150



ITEM	PART NUMBER	QTY	LINE	SERIES	BODY	ENGINE	TRANS	TRIM	DESCRIPTION
39	5012 756AA	2							SPRING
40	5012 710AA	2							SERVO, A/C Temperature Door

JEEP GRAND CHEROKEE (WJ)

SERIES	LINE	BODY	ENGINE	TRANSMISSION
H = Laredo	J = 4WD	74 = 4 Door	ERH = 4.0L, Power Tech I-6	DGK = 4 Speed Auto, 42RE
M = Sport	T = 2WD		EVA = 4.7L Power Tech V8	DGQ = 5 Speed Auto, 45RFE
P = Limited			EVC = 4.7L HO V8 MPI	DG0 = All Automatic Trans
S = Overland			ER0 = All 4.0L 6 Cyl Gas	
			EVO = All 4.7L Gas	

AR = Use as required - = Non illustrated part # = New this model year

December 1, 2003

HEVAC with Manual Control, LHD
Figure 024-170

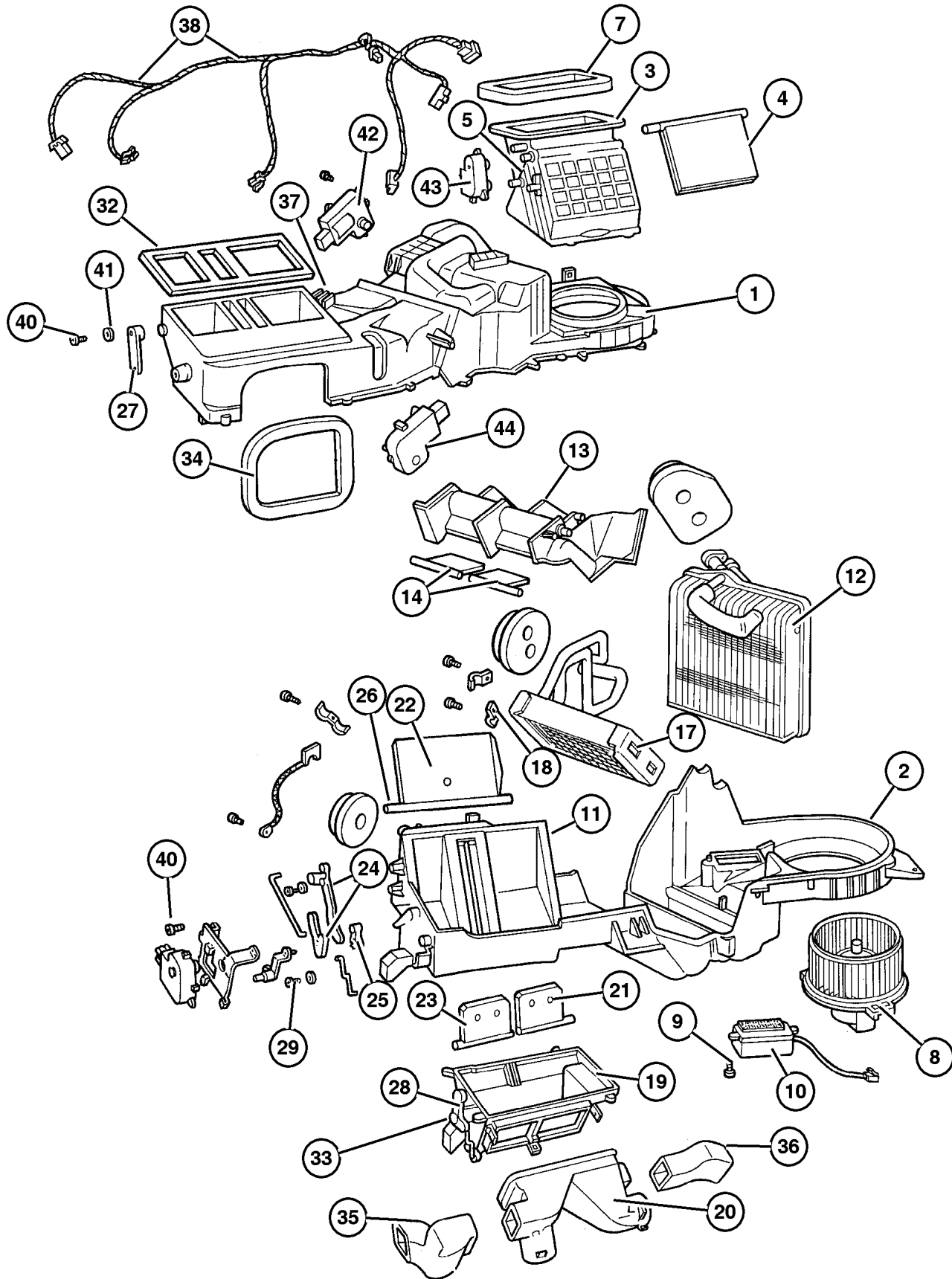
ITEM	PART NUMBER	QTY	LINE	SERIES	BODY	ENGINE	TRANS	TRIM	DESCRIPTION
Note: Sales Code									
EVO = All 4.7L Gas Engines									
HAA = Air Conditioning									
1	5073 480AB	1							CASE, Heater And A/C Unit, Upper Middle
	5073 483AC	1							Upper
2	5073 487AA	1							CASE, Heater And A/C Unit, Lower, Lower
3	5012 754AC	1							HOUSING, Air Recirculating
4	5012 712AA	1							DOOR, Air Inlet
5	5012 753AA	1							LEVER, A/C Recirculation Door
-6	5012 752AA	1							DIAPHRAGM, Heater and A/C Unit
7	5012 709AA	1							SEAL, Air Inlet
8	5096 256AA	1							MOTOR, Blower
9	5012 729AA	1							SCREW, Tapping
10	5014 212AA	1							RESISTOR, Blower Motor
11	5012 698AB	1							INSULATOR, Air Conditioning
12	5101 786AA	1							EVAPORATOR, Air Conditioning
13	5012 762AA	1							HOUSING, A/C Unit
14	5012 751AA	1							DOOR, Blend Air
-15	5012 711AA	3							LINK, Heater and Damper Control
-16	5012 750AA	1							SERVO, A/C Temperature Door
17	5102 268AA	1							CORE, Heater
18	5012 745AA	1							CLAMP, Heater
19	5012 762AA	1							HOUSING, A/C Unit
20	5012 742AB	1							COVER, Heater
21	5012 741AA	1							DOOR, Panel
22	5012 740AB	1							DOOR, Distribution Duct
23	5012 739AA	1							DOOR, Floor Defroster Duct
24	5012 738AA	1							LEVER, Panel Door
25	5012 735AB	1							LEVER, Panel Door
26	5012 734AA	1							SHAFT, A/C and Heater Door
27	5012 731AA	1							LEVER, A/C Vent Defrost Door
28	5012 761AA	1							LEVER, Panel Door
29	5012 729AA	1							SCREW, Tapping
-30	5012 760AA	1							DIAPHRAGM, Heater and A/C Unit
-31	5012 759AA	1							DIAPHRAGM, Heater and A/C Unit
32	5012 727AA	1							SEAL, Demister
33	5012 726AA	1							SEAL, Defroster Duct
34	5015 355AA	1							SEAL, Panel
35	5012 722AD	1							DUCT, Floor Distribution
36	5012 722AD	1							DUCT, Floor Distribution

JEEP GRAND CHEROKEE (WJ)

SERIES	LINE	BODY	ENGINE	TRANSMISSION
H = Laredo	J = 4WD	74 = 4 Door	ERH = 4.0L, Power Tech I-6	DGK = 4 Speed Auto, 42RE
M = Sport	T = 2WD		EVA = 4.7L Power Tech V8	DGQ = 5 Speed Auto, 45RFE
P = Limited			EVC = 4.7L HO V8 MPI	DG0 = All Automatic Trans
S = Overland			ER0 = All 4.0L 6 Cyl Gas	
			EVO = All 4.7L Gas	

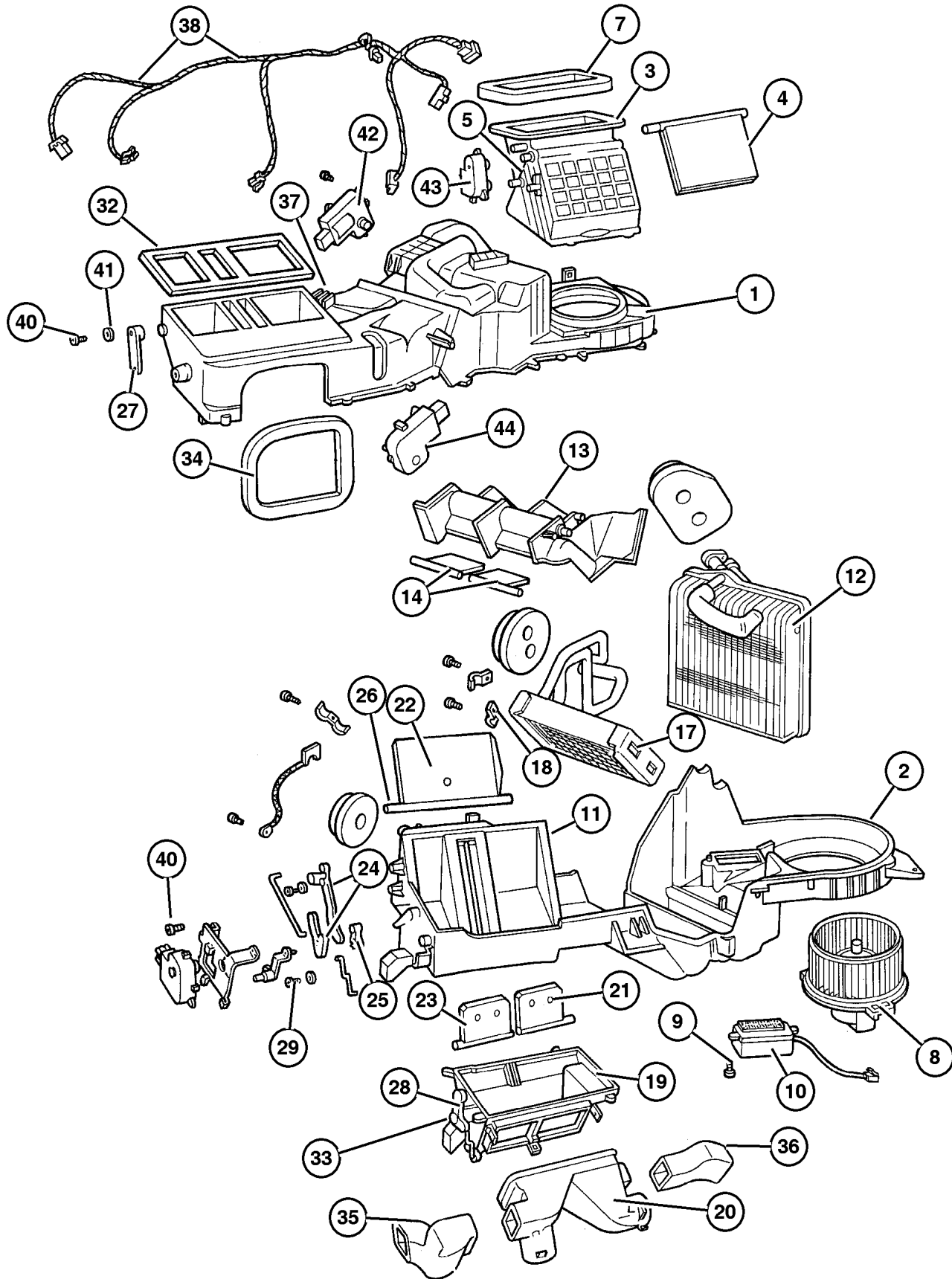
AR = Use as required - = Non illustrated part # = New this model year

December 1, 2003



HEVAC with Manual Control, LHD
Figure 024-170

ITEM	PART NUMBER	QTY	LINE	SERIES	BODY	ENGINE	TRANS	TRIM	DESCRIPTION
37	5012 721AA	1							SEAL, Air Conditioning Unit
38	5101 760AA	1							THERMISTOR, A/C Evaporator Air
-39	5012 757AC	1							TUBE, Vacuum
40	4720 533	32							SCREW, Heater Housing
41	4720 534	3							SCREW, Pan Head
42	5012 756AA	5							SPRING
43	5012 750AA	1							SERVO, A/C Temperature Door
44	5012 750AA	1							SERVO, A/C Temperature Door
-45	6504 441	1				EVO			SCREW AND WASHER, HEVAC Mounting



JEEP GRAND CHEROKEE (WJ)

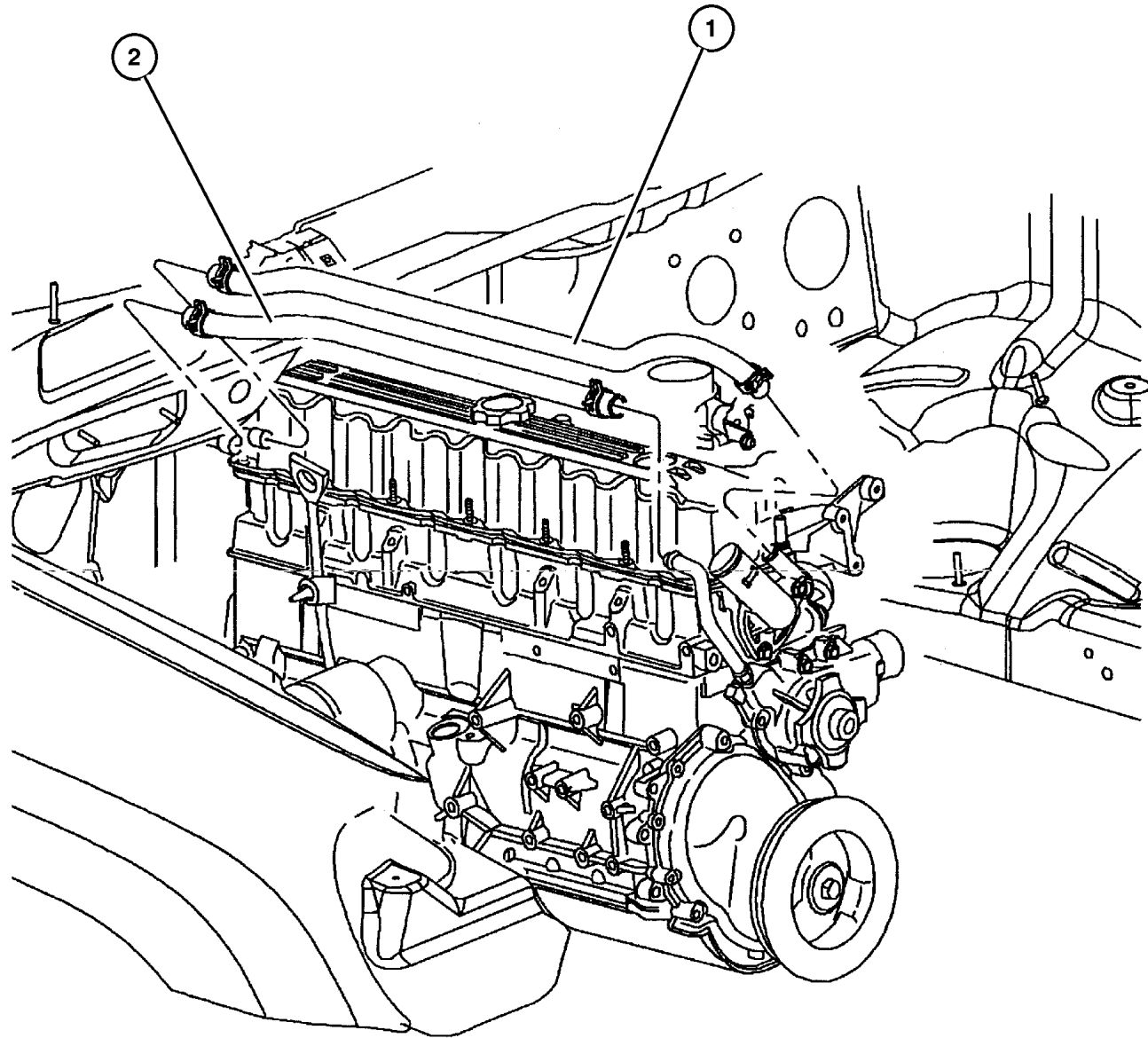
SERIES	LINE	BODY	ENGINE	TRANSMISSION
H = Laredo	J = 4WD	74 = 4 Door	ERH = 4.0L, Power Tech I-6	DGK = 4 Speed Auto, 42RE
M = Sport	T = 2WD		EVA = 4.7L Power Tech V8	DGQ = 5 Speed Auto, 45RFE
P = Limited			EVC = 4.7L HO V8 MPI	DG0 = All Automatic Trans
S = Overland			ER0 = All 4.0L 6 Cyl Gas	
			EVO = All 4.7L Gas	

AR = Use as required - = Non illustrated part # = New this model year

December 1, 2003

Hoses, Heater 4.0L Engine
Figure 024-240

ITEM	PART NUMBER	QTY	LINE	SERIES	BODY	ENGINE	TRANS	TRIM	DESCRIPTION
Note: Sales Code ER0 = 4.0 L Engine									
1	5511 5890	1				ER0			HOSE, Heater Supply
2	55115 897AB	1				ER0			HOSE, Heater Return
-3	HHR00 034AA	1							HOSE 1FT, Heater, 3/4"
-4	5014 206AA	1							CLAMP, Heater



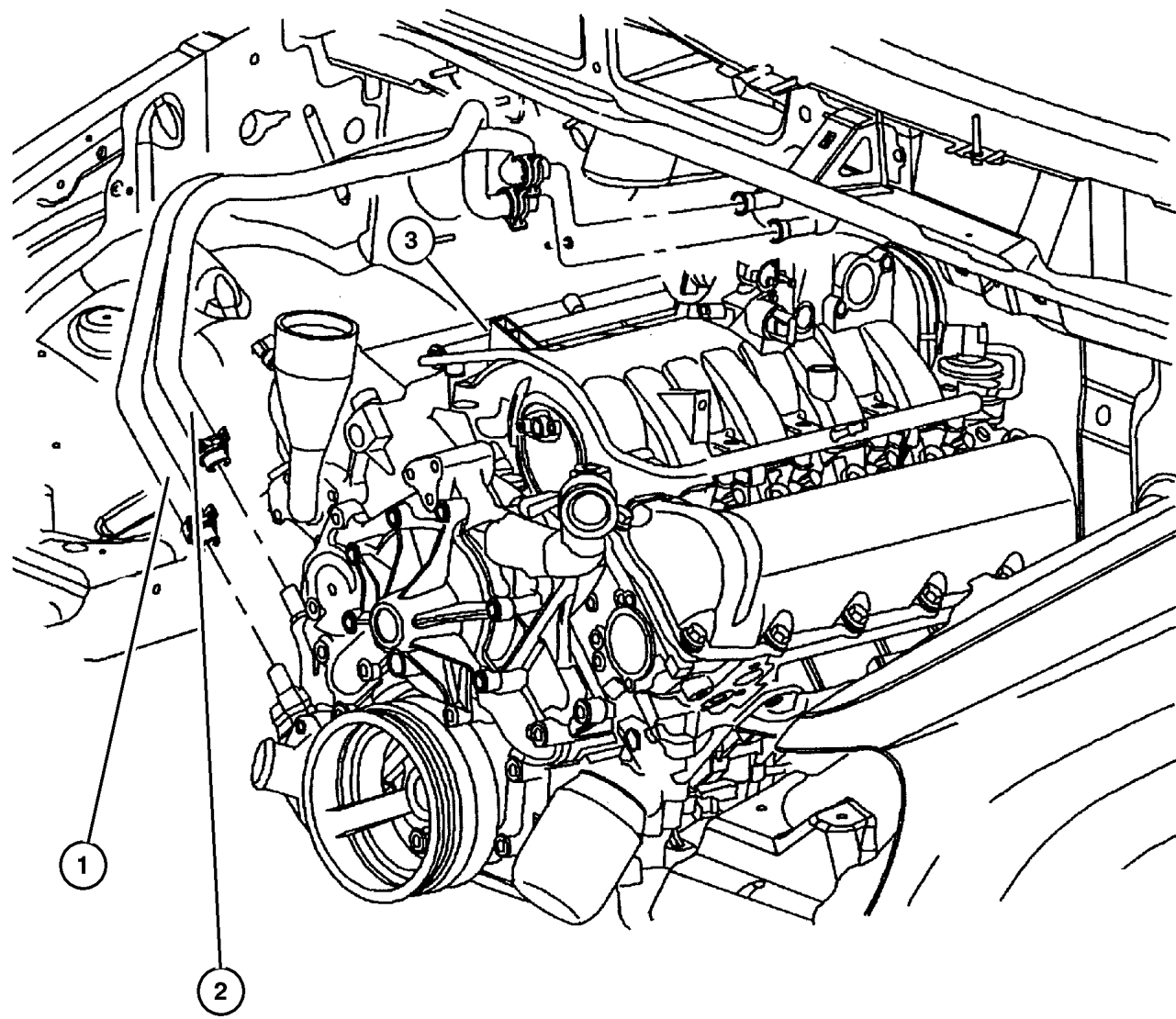
JEEP GRAND CHEROKEE (WJ)				
SERIES	LINE	BODY	ENGINE	TRANSMISSION
H = Laredo	J = 4WD	74 = 4 Door	ERH = 4.0L, Power Tech I-6	DGK = 4 Speed Auto, 42RE
M = Sport	T = 2WD		EVA = 4.7L Power Tech V8	DGQ = 5 Speed Auto, 45RFE
P = Limited			EVC = 4.7L HO V8 MPI	DG0 = All Automatic Trans
S = Overland			ER0 = All 4.0L 6 Cyl Gas	
			EVO = All 4.7l Gas	

AR = Use as required - = Non illustrated part # = New this model year

December 1, 2003

Hoses, Heater 4.7L Engine Figure 024-245

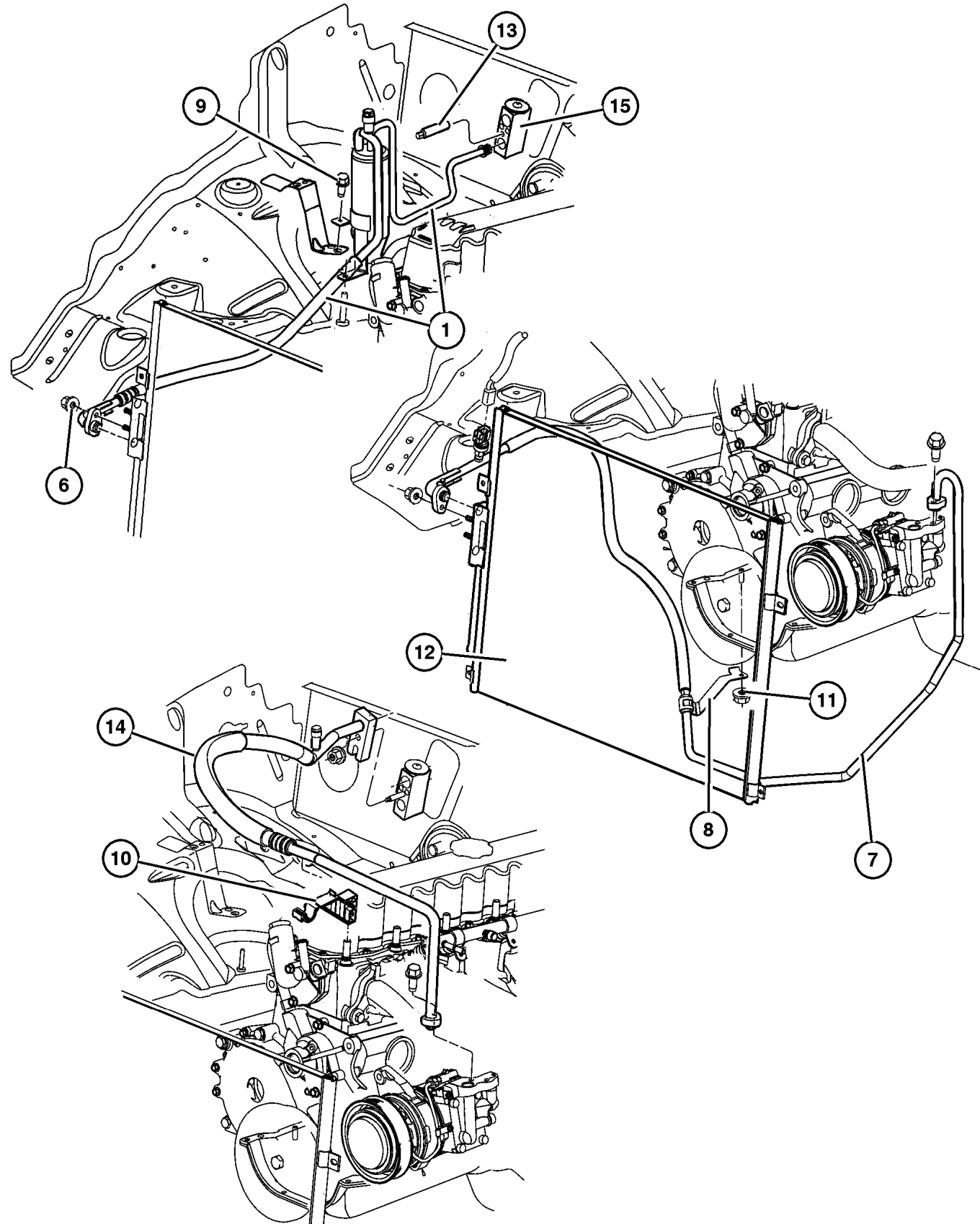
ITEM	PART NUMBER	QTY	LINE	SERIES	BODY	ENGINE	TRANS	TRIM	DESCRIPTION
Note: Sales Code EVO = 4.7 L Engine									
1	#5103 318AA	1				EVO			TUBE AND HOSE, Supply
2	#5103 319AA	1				EVO			TUBE AND HOSE, Return
3	5102 318AA	1				EVO			CLIP, Heater Hose
-4	HHR00 034AA	1							HOSE 1FT, Heater, 3/4", HHR00034AA



JEEP GRAND CHEROKEE (WJ)				
SERIES	LINE	BODY	ENGINE	TRANSMISSION
H = Laredo	J = 4WD	74 = 4 Door	ERH = 4.0L, Power Tech I-6	DGK = 4 Speed Auto, 42RE
M = Sport	T = 2WD		EVA = 4.7L Power Tech V8	DGQ = 5 Speed Auto, 45RFE
P = Limited			EVC = 4.7L HO V8 MPI	DG0 = All Automatic Trans
S = Overland			ER0 = All 4.0L 6 Cyl Gas	
			EVO = All 4.7L Gas	

AR = Use as required - = Non illustrated part # = New this model year December 1, 2003

Accumulator, Condenser and Lines 4.0L Engines Figure 024-250



ITEM	PART NUMBER	QTY	LINE	SERIES	BODY	ENGINE	TRANS	TRIM	DESCRIPTION
Note: Sales Code ER0 = All 4.0L Engines									
Note: Sales Code EV0 = All 4.7L Gas Engines									
Note: Sales Code EX0 = All 3.1L Engines									
1	#55116 560AG	1				ER0, EV0			LINE, A/C
-2	5073 291AA	1				ER0, EV0			O RING, A/C Line
-3	5073 292AA	1				ER0, EV0			O RING, A/C Line
-4	5073 260AA	1				ER0			CAP
-5	5011 346AA	1				ER0			VALVE CORE, Service Port
6	6101 445	1							NUT AND WASHER, Hex Nut-Coned Washer, M8 x 1.25
7	55117 262AC	1				ER0			LINE, A/C Discharge
8	5012 988AA	1				ER0			BRACKET, A/C Line
9	6102 132AA	2							SCREW, Hex Head, M6x1x20
10	55116 419AB	1				ER0			BRACKET, Hose
11	6033 560	1				ER0			NUT AND WASHER, Hex Nut-Coned Washer, .25-20
12	#55116 931AA	1				ER0			COOLER, Condenser and Aux TOC STUD
13	6507 440AA	1							STUD
14	55116 555AB	1				ER0			LINE, A/C Suction
15	4885 974AC	1							VALVE, A/C Expansion

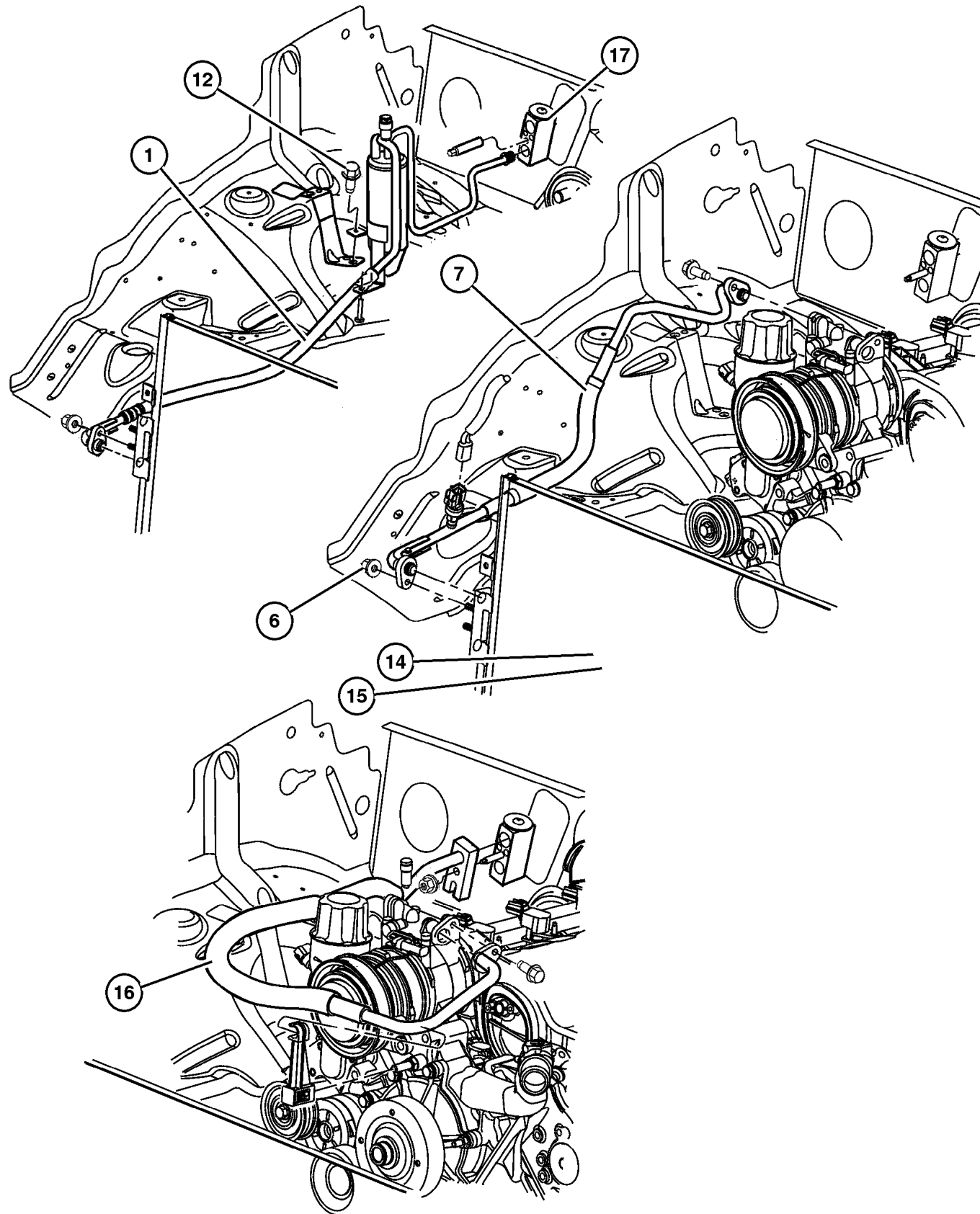
JEEP GRAND CHEROKEE (WJ)

SERIES	LINE	BODY	ENGINE	TRANSMISSION
H = Laredo	J = 4WD	74 = 4 Door	ERH = 4.0L, Power Tech I-6	DGK = 4 Speed Auto, 42RE
M = Sport	T = 2WD		EVA = 4.7L Power Tech V8	DGQ = 5 Speed Auto, 45RFE
P = Limited			EVC = 4.7L HO V8 MPI	DG0 = All Automatic Trans
S = Overland			ER0 = All 4.0L 6 Cyl Gas	
			EV0 = All 4.7L Gas	

AR = Use as required - = Non illustrated part # = New this model year

December 1, 2003

Accumulator, Condenser and Lines 4.7L Engine Figure 024-255



ITEM	PART NUMBER	QTY	LINE	SERIES	BODY	ENGINE	TRANS	TRIM	DESCRIPTION
Note: Sales Code ER0 = All 4.0L Engines									
Note: Sales Code EVO = All 4.7L Gas Engines									
1	#55116 560AG	1				ER0, EVO			LINE, A/C
-2	5073 291AA	1				ER0, EVO			O RING, A/C Line
-3	5073 292AA	1				ER0, EVO			O RING, A/C Line
-4	5073 293AA	1				ER0, EVO			CLIP
-5	5073 294AA	1				ER0, EVO			VALVE CORE, High Flow
6	6101 445	1				ER0, EVO			NUT AND WASHER, Hex Nut-Coned Washer, M8 x 1.25
7	55116 467AC	1				EVO			LINE, A/C Discharge
-8	5073 617AA	1				EVO			TRANSDUCER, Pressure Sensor
-9	5080 519AA	1				EVO			O RING, A/C Line
-10	5080 520AA	1				EVO			O RING, A/C Line
-11	5011 346AA	1				EVO			VALVE CORE, Service Port
12	6502 064	6							SCREW, Tapping, M6x1x20
-13	55116 809AA	1							LABEL, Refrigerant
14	55115 918AC	1				EVO			CONDENSER, Air Conditioning, Up to 3-3-03
15	#55116 931AA	1				EVO			COOLER, Condenser and Aux TOC, After 3-3-03
16	55116 556AB	1				EVO			LINE, A/C Suction
17	4885 974AC	1							VALVE, A/C Expansion
-18	4885 802AA	1							O RING, Expansion Valve 15.54MM ID
	4885 803AA	1							10.25MM ID

JEEP GRAND CHEROKEE (WJ)

SERIES	LINE	BODY	ENGINE	TRANSMISSION
H = Laredo	J = 4WD	74 = 4 Door	ERH = 4.0L, Power Tech I-6	DGK = 4 Speed Auto, 42RE
M = Sport	T = 2WD		EVA = 4.7L Power Tech V8	DGQ = 5 Speed Auto, 45RFE
P = Limited			EVC = 4.7L HO V8 MPI	DG0 = All Automatic Trans
S = Overland			ER0 = All 4.0L 6 Cyl Gas	
			EVO = All 4.7L Gas	

AR = Use as required - = Non illustrated part # = New this model year

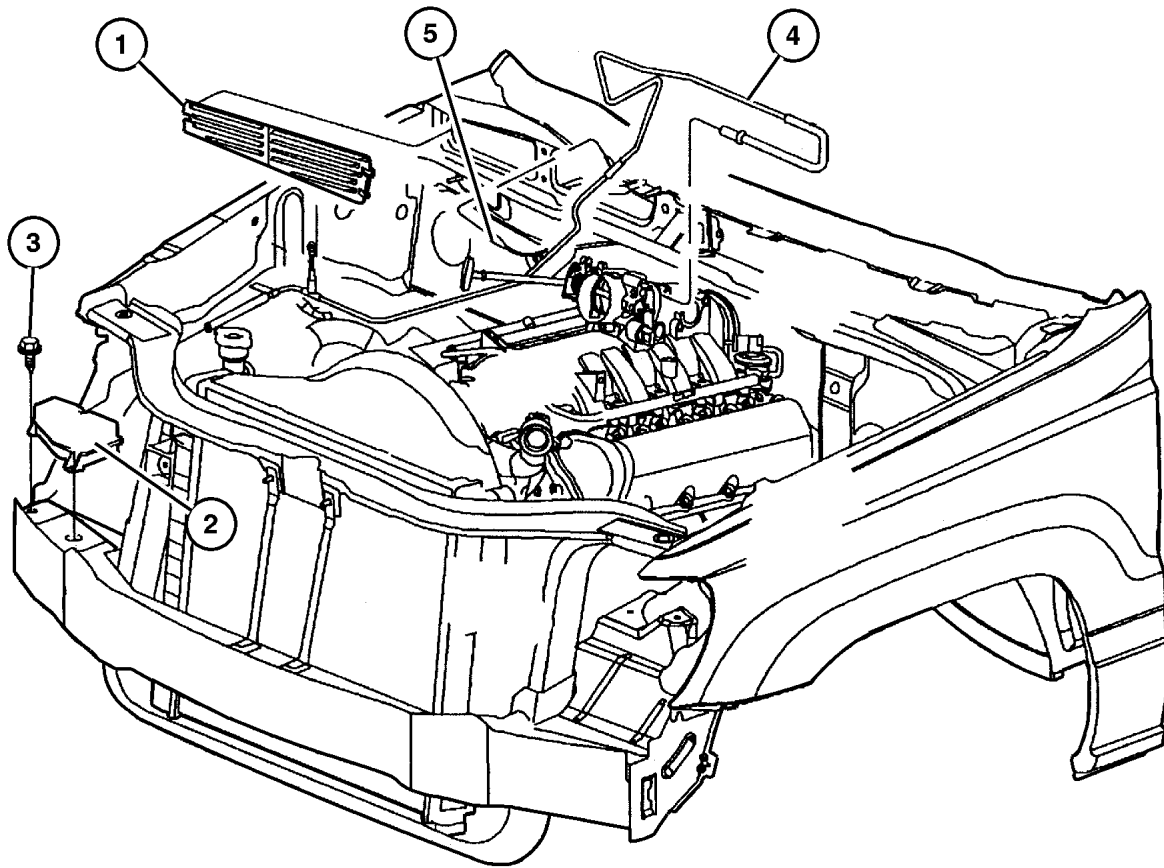
December 1, 2003

Hevac Vacuum Engine Lines and Controls
Figure 024-260

ITEM	PART NUMBER	QTY	LINE	SERIES	BODY	ENGINE	TRANS	TRIM	DESCRIPTION
------	-------------	-----	------	--------	------	--------	-------	------	-------------

Note: Sales Code ER0 = 4.0 L Engine
 Note: Sales Code EX0 = 3.1 L Engine
 Note: Sales Code EV0 = 4.7 L Engine

1	5511 5885	1							BAFFLE, Air
2	5511 5899	1				ER0, EV0			RESERVOIR, Vacuum
3									SCREW, Hex Flange Head Tapping, M4.8 x 1.59 x 14.00, (NOT SERVICED) (Not Serviced)
4									VACUUM HARNESS, Heater and A/C
	55115 900AE	1				EV0			
	55115 901AE	1				ER0			
5	3580 172	1							CAP, Vacuum



JEEP GRAND CHEROKEE (WJ)

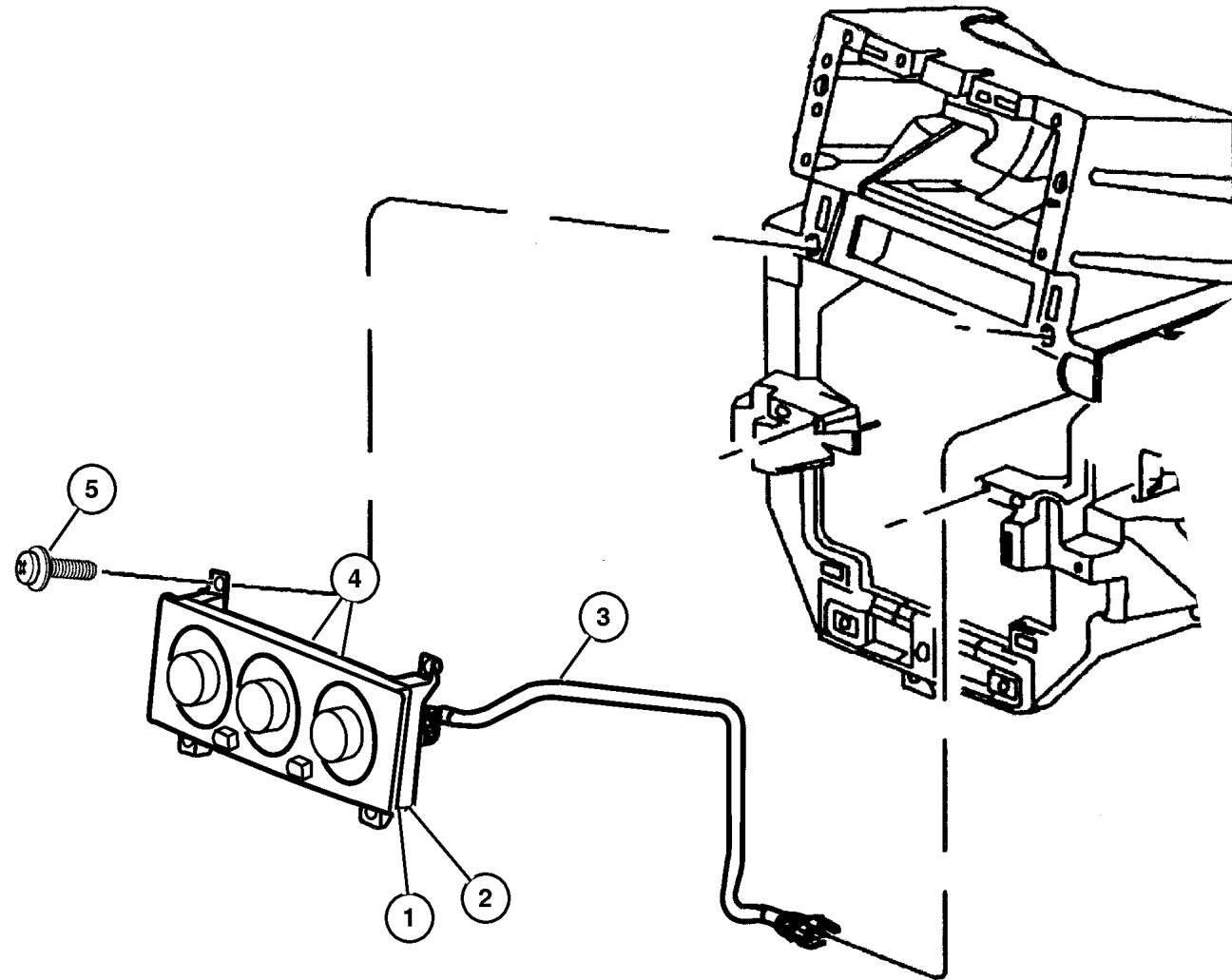
SERIES	LINE	BODY	ENGINE	TRANSMISSION
H = Laredo	J = 4WD	74 = 4 Door	ERH = 4.0L, Power Tech I-6	DGK = 4 Speed Auto, 42RE
M = Sport	T = 2WD		EVA = 4.7L Power Tech V8	DGQ = 5 Speed Auto, 45RFE
P = Limited			EVC = 4.7L HO V8 MPI	DG0 = All Automatic Trans
S = Overland			ER0 = All 4.0L 6 Cyl Gas	
			EV0 = All 4.7L Gas	

AR = Use as required - = Non illustrated part # = New this model year

December 1, 2003

**Control, Heater and Air Conditioner
Figure 024-330**

ITEM	PART NUMBER	QTY	LINE	SERIES	BODY	ENGINE	TRANS	TRIM	DESCRIPTION
Note: Sales Code HAA = Air Conditioning									
Note: Sales Code HAF = Auto Temp Control									
1	55115 904AC	1							CONTROL, A/C And Heater
2	55116 885AB	1							CONTROL, Auto Temp Control
3	5012 977AA	1							HARNES, A/C And Heater Vacuum
4	5013 124AA	2							BULB, Heater and A/C Control
5									SCREW, Tapping, (NOT SERVICED) (Not Serviced)
-6	5012 976AA	1							KNOB, ATC Control



JEEP GRAND CHEROKEE (WJ)

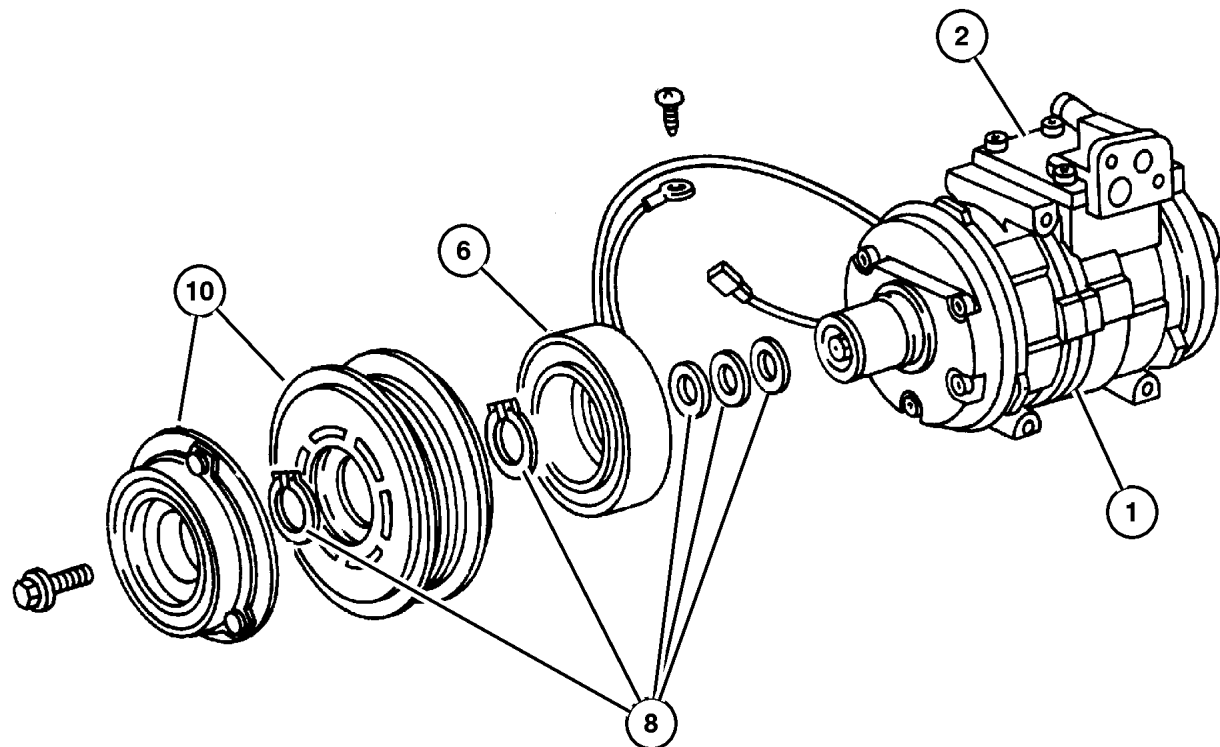
SERIES	LINE	BODY	ENGINE	TRANSMISSION
H = Laredo	J = 4WD	74 = 4 Door	ERH = 4.0L, Power Tech I-6	DGK = 4 Speed Auto, 42RE
M = Sport	T = 2WD		EVA = 4.7L Power Tech V8	DGQ = 5 Speed Auto, 45RFE
P = Limited			EVC = 4.7L HO V8 MPI	DG0 = All Automatic Trans
S = Overland			ER0 = All 4.0L 6 Cyl Gas	
			EVO = All 4.7l Gas	

AR = Use as required - = Non illustrated part # = New this model year

December 1, 2003

**Compressor, Air Conditioning 4.0L Engine
Figure 024-410**

ITEM	PART NUMBER	QTY	LINE	SERIES	BODY	ENGINE	TRANS	TRIM	DESCRIPTION
Note: Sales Code ER0 = 4.0 L Engine									
1	#55116 807AD	1				ER0			COMPRESSOR, Air Conditioning
2	5014 413AA	1				ER0			MANIFOLD KIT, A/C Compressor
-3	4728 854	1				ER0			SEAL, Manifold To Compressor
-4	55116 423AA	1				ER0			BOLT, A/C Line Mounting
-5	5264 457	1				ER0			BOLT KIT, A/C Compressor Manifold
6	5003 681AA	1				ER0			COIL, Air Conditioning Clutch
-7	5014 415AA	1				ER0			CLUTCH, A/C Compressor
8	5264 454	1				ER0			SNAP RING KIT, A/C Clutch
-9	8230 0102	1				ER0			LUBRICANT, Oil, 75w90
10	4720 834	1				ER0			PULLEY HUB KIT, A/C Compressor



JEEP GRAND CHEROKEE (WJ)

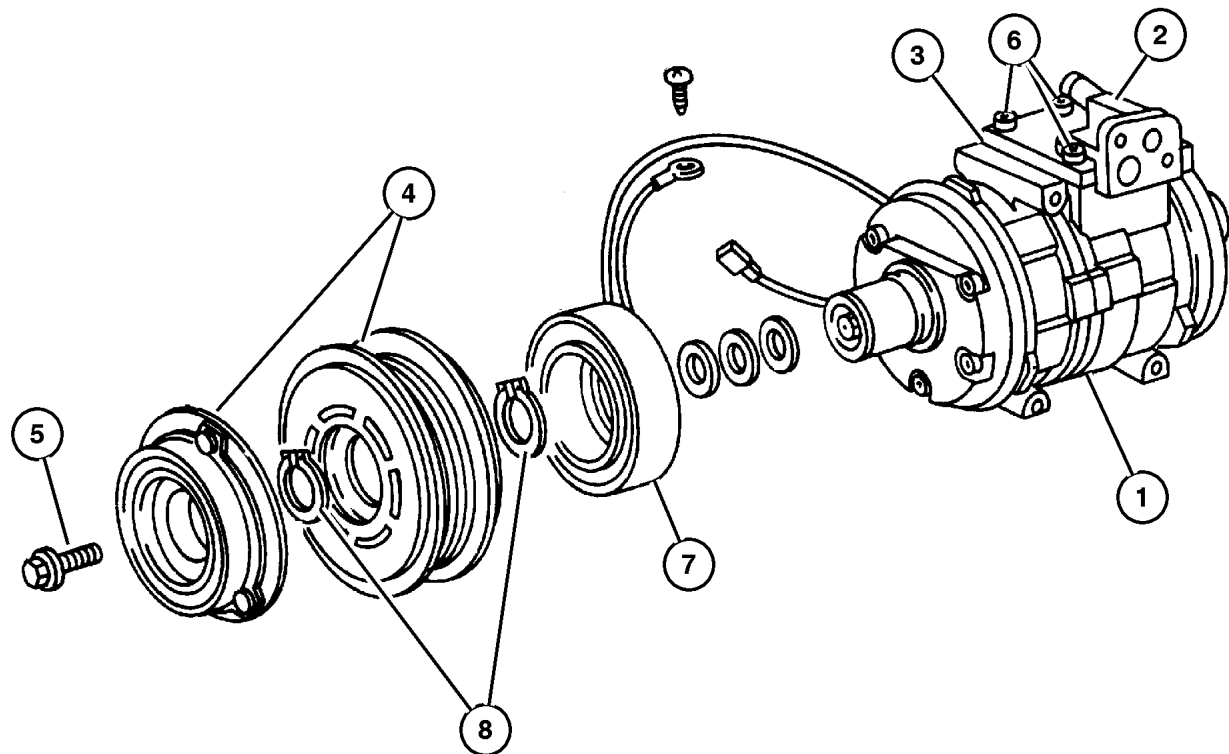
SERIES	LINE	BODY	ENGINE	TRANSMISSION
H = Laredo	J = 4WD	74 = 4 Door	ERH = 4.0L, Power Tech I-6	DGK = 4 Speed Auto, 42RE
M = Sport	T = 2WD		EVA = 4.7L Power Tech V8	DGQ = 5 Speed Auto, 45RFE
P = Limited			EVC = 4.7L HO V8 MPI	DG0 = All Automatic Trans
S = Overland			ER0 = All 4.0L 6 Cyl Gas	
			EVO = All 4.7l Gas	

AR = Use as required - = Non illustrated part # = New this model year

December 1, 2003

**Compressor, Air Conditioning 4.7L Engine
Figure 024-420**

ITEM	PART NUMBER	QTY	LINE	SERIES	BODY	ENGINE	TRANS	TRIM	DESCRIPTION
Note: Sales Code EVO = 4.7 L Engine									
1	#55116 806AD	1				EVO			COMPRESSOR, Air Conditioning
2	5014 414AA	1				EVO			MANIFOLD KIT, A/C Compressor
3	4728 854	1				EVO			SEAL, Manifold To Compressor
4	5014 416AA	1				EVO			CLUTCH OVERHAUL KIT, A/C Compressor
5	55116 423AA	1				EVO			BOLT, A/C Line Mounting
6	5264 457	1				EVO			BOLT KIT, A/C Compressor Manifold
7	5003 681AA	1				EVO			COIL, Air Conditioning Clutch
8	5264 454	1				EVO			SNAP RING KIT, A/C Clutch
-9	8230 0102	1				EVO			LUBRICANT, Oil, 75w90
-10	53031 709AA	1				EVO			BRACE, A/C Compressor



JEEP GRAND CHEROKEE (WJ)

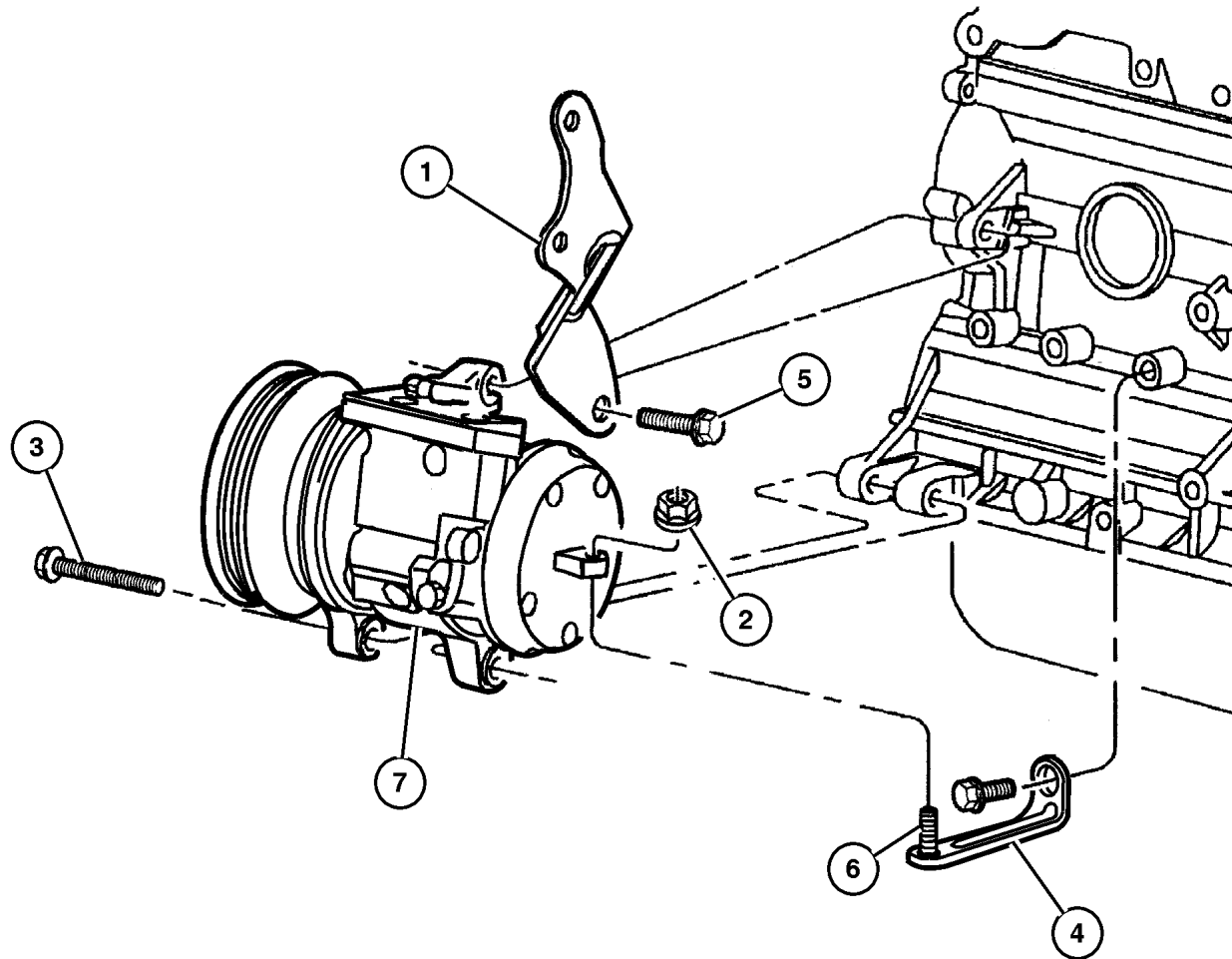
SERIES	LINE	BODY	ENGINE	TRANSMISSION
H = Laredo	J = 4WD	74 = 4 Door	ERH = 4.0L, Power Tech I-6	DGK = 4 Speed Auto, 42RE
M = Sport	T = 2WD		EVA = 4.7L Power Tech V8	DGQ = 5 Speed Auto, 45RFE
P = Limited			EVC = 4.7L HO V8 MPI	DG0 = All Automatic Trans
S = Overland			ER0 = All 4.0L 6 Cyl Gas	
			EVO = All 4.7L Gas	

AR = Use as required - = Non illustrated part # = New this model year

December 1, 2003

**Compressor, Mounting 4.0L Engine
Figure 024-510**

ITEM	PART NUMBER	QTY	LINE	SERIES	BODY	ENGINE	TRANS	TRIM	DESCRIPTION
Note: Sales Code ER0 = All 4.0L Engines									
Note: Sales Code EVO = All 4.7L Gas Engines									
1	4854 157	1				ER0			BRACE, Power Steering Pump
2	6506 929AA	1							NUT, Hex Flange Lock, M8x1.25
3	6504 344	1				ER0			SCREW AND WASHER, Hex Head
4	53013 053AA	1				ER0			BRACE, A/C Compressor
5	6101 985	8				EVO			SCREW AND WASHER, M10x1.50x45.00
6									SCREW AND WASHER, Hex Head, (NOT SERVICED) (Not Serviced)
7	#55116 807AD	1				ER0			COMPRESSOR, Air Conditioning



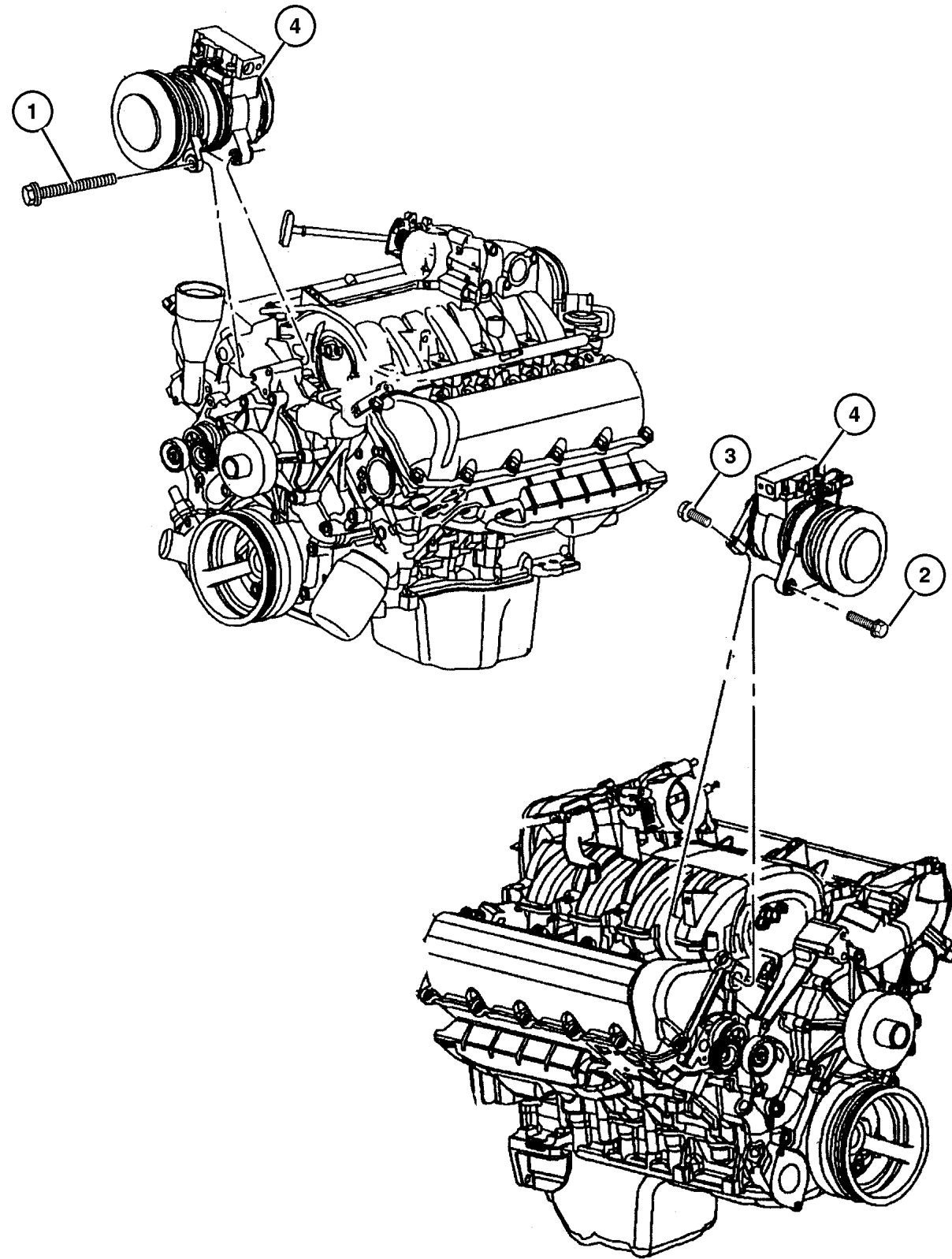
JEEP GRAND CHEROKEE (WJ)

SERIES	LINE	BODY	ENGINE	TRANSMISSION
H = Laredo	J = 4WD	74 = 4 Door	ERH = 4.0L, Power Tech I-6	DGK = 4 Speed Auto, 42RE
M = Sport	T = 2WD		EVA = 4.7L Power Tech V8	DGQ = 5 Speed Auto, 45RFE
P = Limited			EVC = 4.7L HO V8 MPI	DG0 = All Automatic Trans
S = Overland			ER0 = All 4.0L 6 Cyl Gas	
			EVO = All 4.7L Gas	

AR = Use as required - = Non illustrated part # = New this model year

December 1, 2003

Compressor, Mounting 4.7L Engine
Figure 024-520



ITEM	PART NUMBER	QTY	LINE	SERIES	BODY	ENGINE	TRANS	TRIM	DESCRIPTION
------	-------------	-----	------	--------	------	--------	-------	------	-------------

Note: Sales Code EV0 = 4.7 L Engine

1	6504 344	1				EV0			SCREW AND WASHER, Hex Head
2	6505 487AA	1				EV0			SCREW AND WASHER, M10x1.5x45
3	6102 047AA	6				EV0			SCREW, Hex Head, M8x1.25x50
4	#55116 806AD	1				EV0			COMPRESSOR, Air Conditioning
-5	53031 709AA	1				EV0			BRACE, A/C Compressor

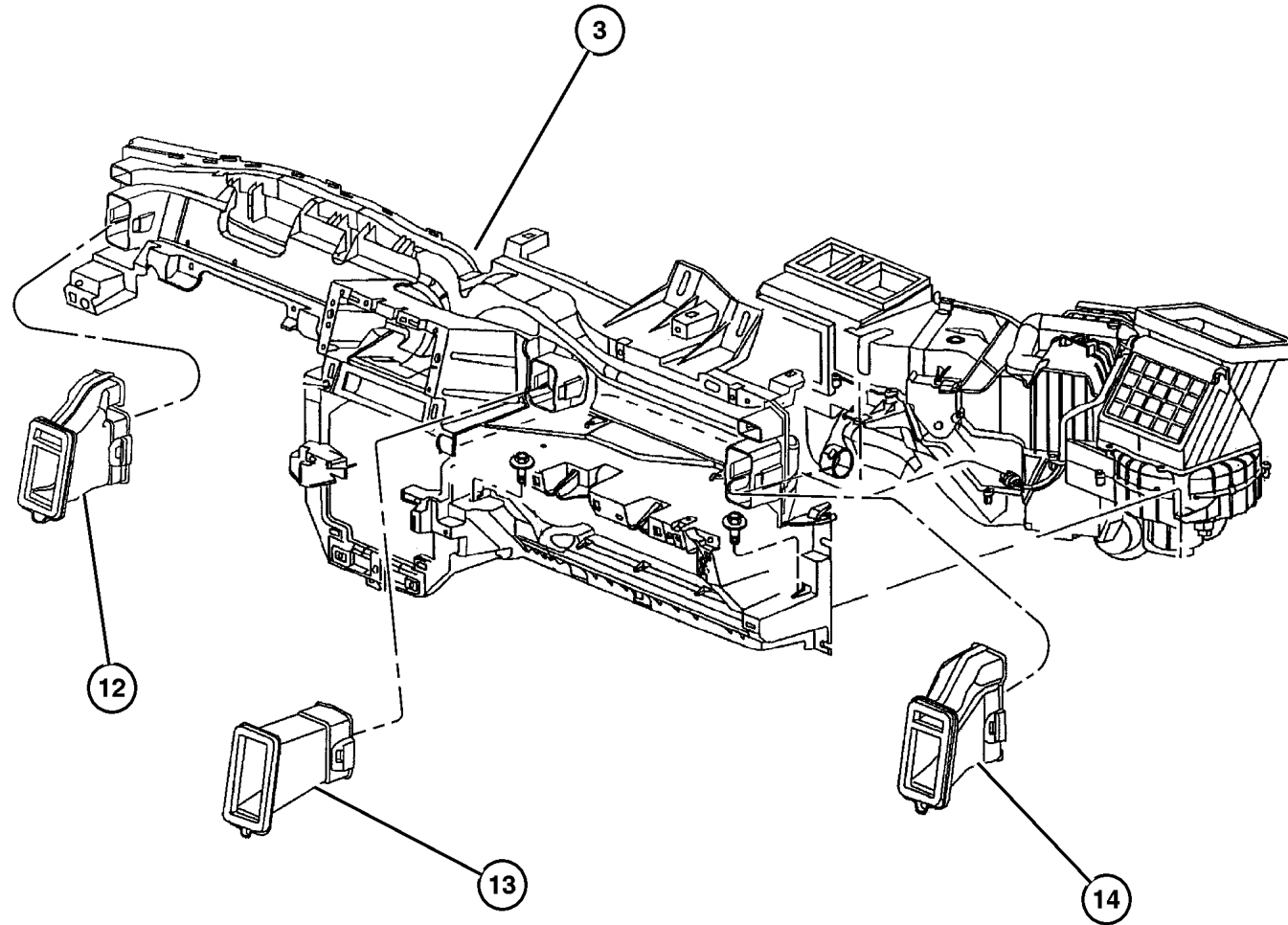
JEEP GRAND CHEROKEE (WJ)

SERIES	LINE	BODY	ENGINE	TRANSMISSION
H = Laredo	J = 4WD	74 = 4 Door	ERH = 4.0L, Power Tech I-6	DGK = 4 Speed Auto, 42RE
M = Sport	T = 2WD		EVA = 4.7L Power Tech V8	DGQ = 5 Speed Auto, 45RFE
P = Limited			EVC = 4.7L HO V8 MPI	DG0 = All Automatic Trans
S = Overland			ER0 = All 4.0L 6 Cyl Gas	
			EV0 = All 4.7L Gas	

AR = Use as required - = Non illustrated part # = New this model year

December 1, 2003

Air Ducts and Outlets Figure 024-610



ITEM	PART NUMBER	QTY	LINE	SERIES	BODY	ENGINE	TRANS	TRIM	DESCRIPTION
-1	55116 569AA	1							BRACKET, Instrument Panel, Steering Column Support
-2	6102 141AA	5							SCREW, M6x1x25
3	55116 407AE	1							DUCT, Instrument Panel, Structural
-4	6034 319	2							CLIP, Push, .164-7.5
-5	6034 833	2							CLIP, Push, .164-7.5
-6	55116 373AB	1							BRACKET, Instrument Panel, C/Channel Cover
-7	6101 946	3							SCREW, Tapping
-8	55116 373AB	1							BRACKET, Instrument Panel, Courtesy Lamp
-9	55116 041AB	1							BRACKET, Instrument Panel, Center to Floor
-10									SCREW, Self Tapping, M6x1x15, (NOT SERVICED) (Not Serviced)
-11	5511 6014	1							DUCT, Defroster
12	55116 287AB	1							DUCT, Instrument Panel, Extension, Left
13	55116 285AB	1							DUCT, Instrument Panel
14	55116 286AB	1							DUCT, Instrument Panel, Extension, Right
-15									DUCT, Floor Distribution, Heat Front
	55196 828AA	1							Right
	55196 829AA	1							Left

JEEP GRAND CHEROKEE (WJ)

SERIES	LINE	BODY	ENGINE	TRANSMISSION
H = Laredo	J = 4WD	74 = 4 Door	ERH = 4.0L, Power Tech I-6	DGK = 4 Speed Auto, 42RE
M = Sport	T = 2WD		EVA = 4.7L Power Tech V8	DGQ = 5 Speed Auto, 45RFE
P = Limited			EVC = 4.7L HO V8 MPI	DG0 = All Automatic Trans
S = Overland			ER0 = All 4.0L 6 Cyl Gas	
			EVO = All 4.7l Gas	

AR = Use as required - = Non illustrated part # = New this model year

December 1, 2003

Group – 025

Emission Systems

GROUP 25 - Emission Systems

Illustration Title

Group-Fig. No.

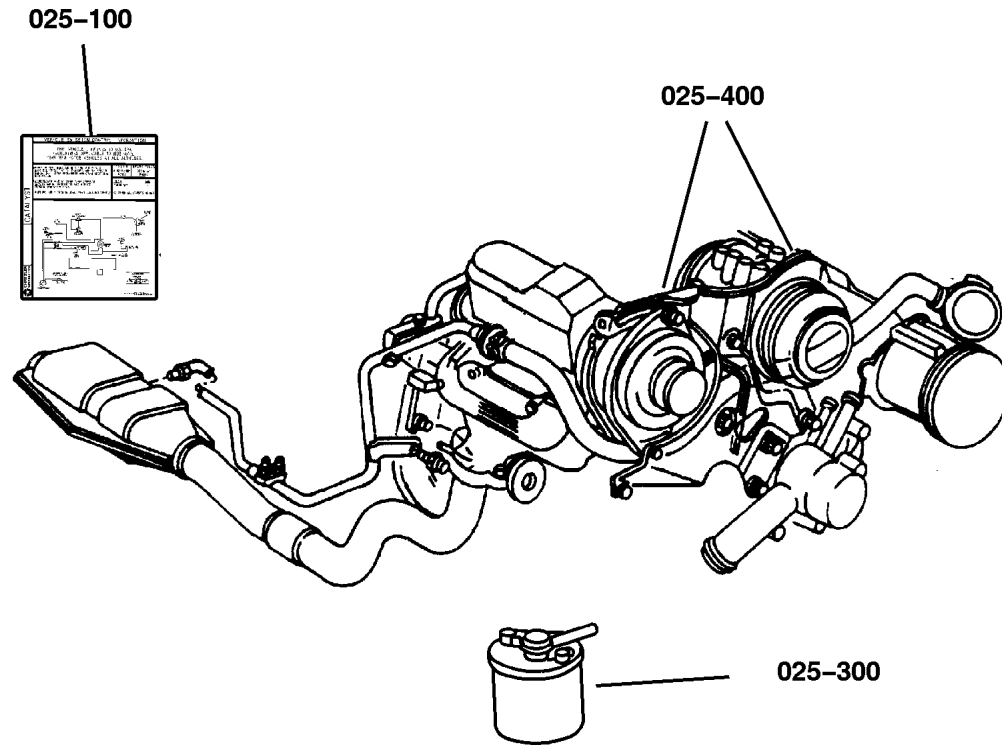
Vacuum Canister

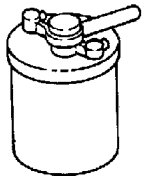
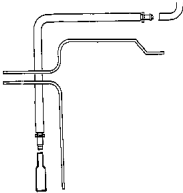
Vacuum Canister, 4.0 [ERH], 4.7 [EVA, EVC] Fig. 025-310

Emission Harness

Emission Control Vacuum Harness, 4.0 [ERH], 4.7 [EVA, EVC] Fig. 025-410

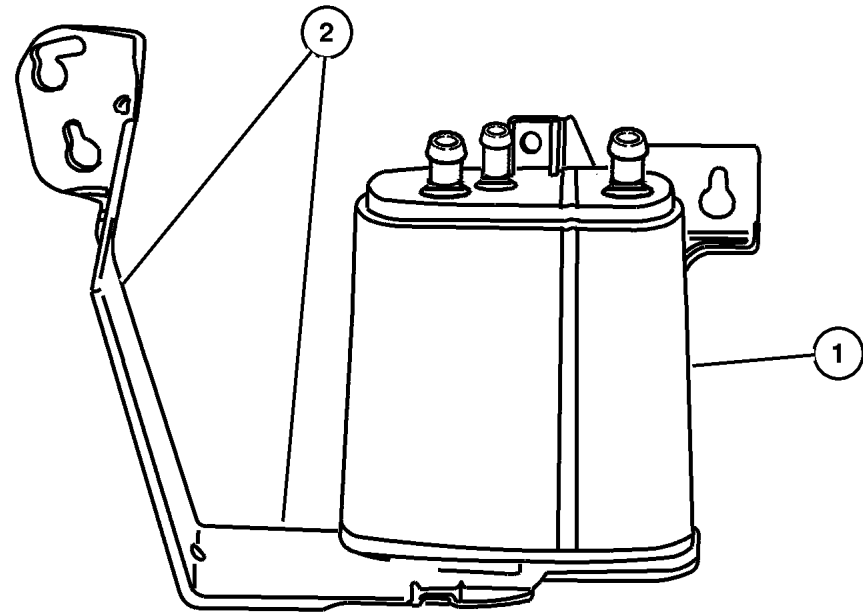
Leak Detection Pump, 4.0 [ERH], 4.7 [EVA, EVC] Fig. 025-420



<p>025-300 Vacuum Canister</p> 	<p>025-400 Emission Harness</p> 		
---	--	--	--

Vacuum Canister, 4.0 [ERH], 4.7 [EVA, EVC]
Figure 025-310

ITEM	PART NUMBER	QTY	LINE	SERIES	BODY	ENGINE	TRANS	TRIM	DESCRIPTION
Sales Codes									
[ER0]= All, 6 Cylinder Gas Engines									
[EV0]= All 4.7L V-8 Gas Engines									
1	53013 096AB	1				ER0, EV0			CANISTER, Vapor
2	53013 463AH	1				ER0, EV0			BRACKET, Vapor Canister
-3	4669 177	2				ER0, EV0			GROMMET, Air Cleaner Bracket
-4	52109 720AD	1				ER0, EV0			BRACE
-5	6505 242AA	1				ER0, EV0			SCREW, Canister To Sill



JEEP GRAND CHEROKEE (WJ)

SERIES	LINE	BODY	ENGINE	TRANSMISSION
H = Laredo	J = 4WD	74 = 4 Door	ERH = 4.0L, Power Tech I-6	DGK = 4 Speed Auto, 42RE
M = Sport	T = 2WD		EVA = 4.7L Power Tech V8	DGQ = 5 Speed Auto, 45RFE
P = Limited			EVC = 4.7L HO V8 MPI	DG0 = All Automatic Trans
S = Overland			ER0 = All 4.0L 6 Cyl Gas	
			EV0 = All 4.7L Gas	

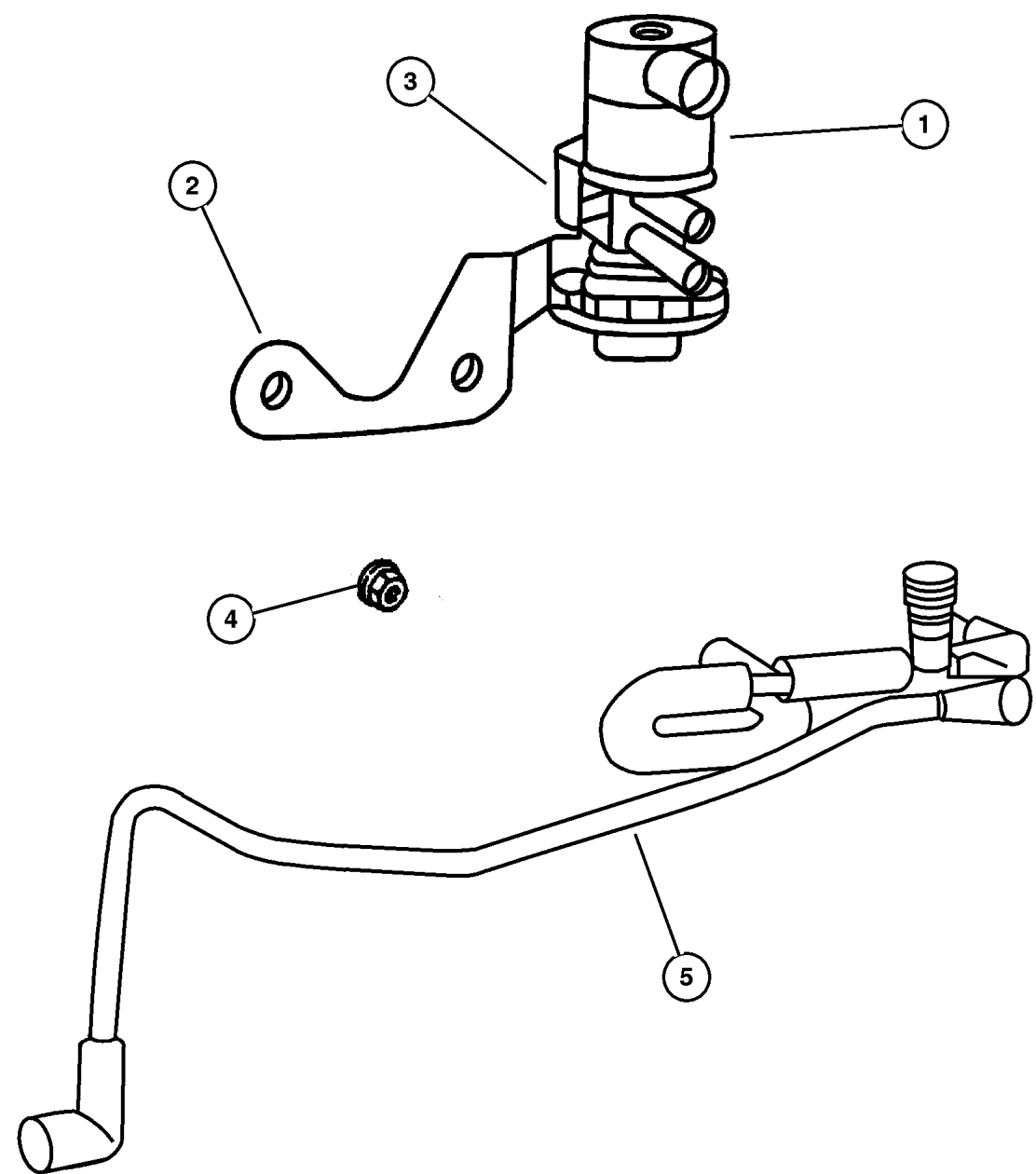
AR = Use as required - = Non illustrated part # = New this model year

December 1, 2003

**Emission Control Vacuum Harness, 4.0 [ERH], 4.7 [EVA, EVC]
Figure 025-410**

ITEM	PART NUMBER	QTY	LINE	SERIES	BODY	ENGINE	TRANS	TRIM	DESCRIPTION
------	-------------	-----	------	--------	------	--------	-------	------	-------------

Note; Sales Codes
 [ER0]= All 4.0L, 6 Cylinder Gas Engines
 [EV0]= All 4.7L V-8 Gas Engines



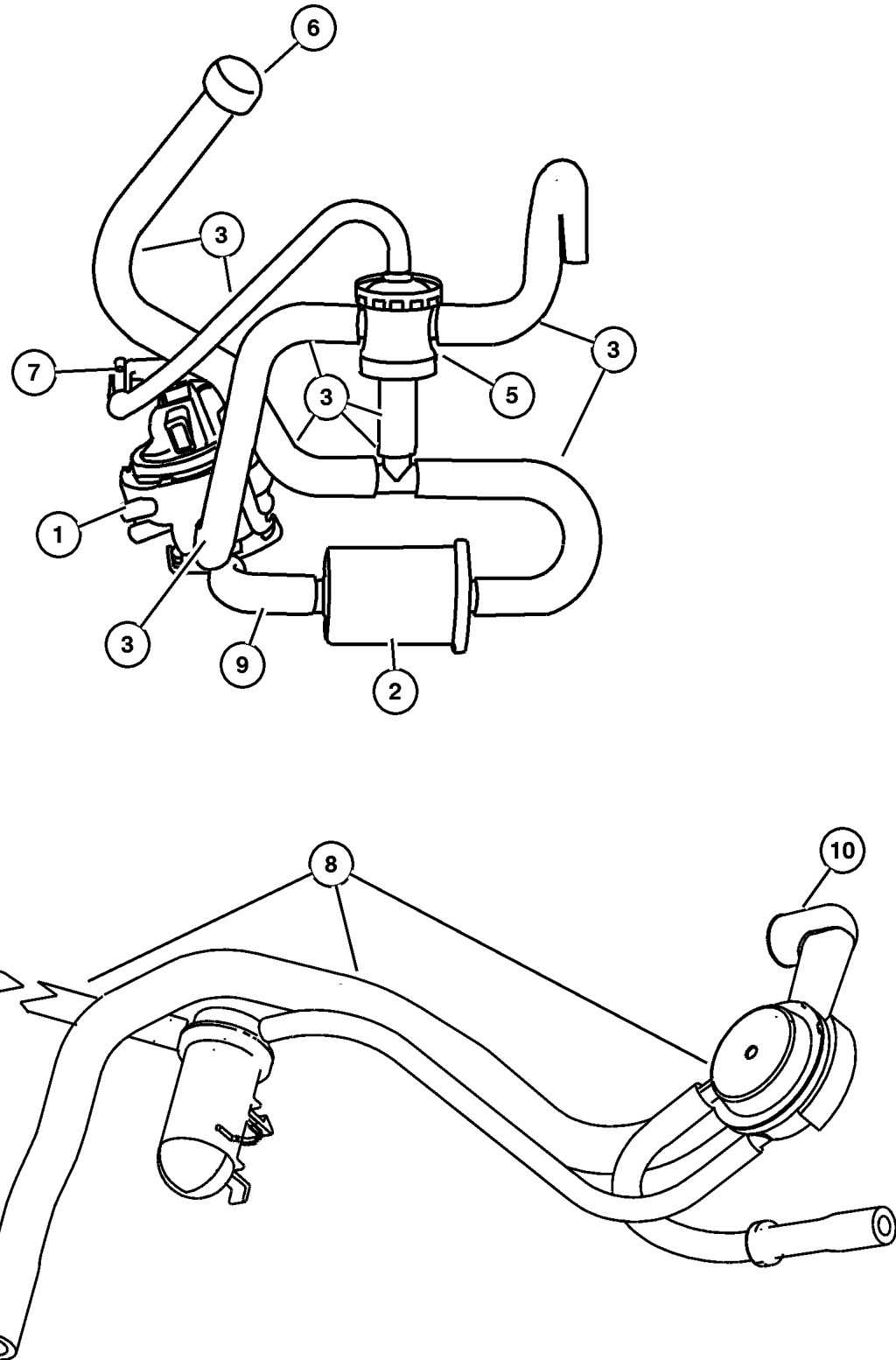
1	52128 550AA	1				ER0			SOLENOID, Duty Cycle Purge
		1				EV0			
2	53013 421AB	1				ER0, EV0			BRACKET, Duty Cycle Purge Solenoid
3	53013 012AA	2				ER0, EV0			GROMMET, Serviced With Item 1
4	6102 160AA	2				ER0, EV0			SCREW, Hex Flange Head
5									HARNESS, Vapor Purge, Also Includes Items 1,2,3
	53013 632AD	1				ER0			
	53013 636AD	1				EV0			

JEEP GRAND CHEROKEE (WJ)				
SERIES	LINE	BODY	ENGINE	TRANSMISSION
H = Laredo	J = 4WD	74 = 4 Door	ERH = 4.0L, Power Tech I-6	DGK = 4 Speed Auto, 42RE
M = Sport	T = 2WD		EVA = 4.7L Power Tech V8	DGQ = 5 Speed Auto, 45RFE
P = Limited			EVC = 4.7L HO V8 MPI	DG0 = All Automatic Trans
S = Overland			ER0 = All 4.0L 6 Cyl Gas	
			EV0 = All 4.7L Gas	

AR = Use as required - = Non illustrated part # = New this model year

December 1, 2003

**Leak Detection Pump, 4.0 [ERH], 4.7 [EVA, EVC]
Figure 025-420**



ITEM	PART NUMBER	QTY	LINE	SERIES	BODY	ENGINE	TRANS	TRIM	DESCRIPTION
Note; Sales Codes									
[ER0]= All 4.0L, 6 Cylinder Gas Engines									
[EV0]= All 4.7L V-8 Gas Engines									
1	4891 414AD	1				ER0, EV0			PUMP, Leak Detection
2	53013 376AB	1				ER0, EV0			FILTER, Leak Detection Pump
3	53013 640AE	1				ER0, EV0			HOSE, Leak Detection Pump
-4	4794 205AA	2				ER0, EV0			CLIP, Hose
5	4669 865	1				ER0, EV0			VALVE, Vent
6	53031 643AA	1				ER0, EV0			CAP, Vent Tube
7	4306 994	1				ER0, EV0			TEE, Hose, .25x.25x.25
8	52100 468AG	1							HOSE, Fuel Vapor
9	53013 646AB	1				ER0, EV0			HOSE, Leak Detection Pump to Filter
10	52098 655AJ	1							HOSE, Axle Vent

JEEP GRAND CHEROKEE (WJ)

SERIES	LINE	BODY	ENGINE	TRANSMISSION
H = Laredo	J = 4WD	74 = 4 Door	ERH = 4.0L, Power Tech I-6	DGK = 4 Speed Auto, 42RE
M = Sport	T = 2WD		EVA = 4.7L Power Tech V8	DGQ = 5 Speed Auto, 45RFE
P = Limited			EVC = 4.7L HO V8 MPI	DG0 = All Automatic Trans
S = Overland			ER0 = All 4.0L 6 Cyl Gas	
			EV0 = All 4.7L Gas	

AR = Use as required - = Non illustrated part # = New this model year

December 1, 2003

Group – DWJ

Doors and Related Parts

GROUP DWJ - Doors and Related Parts

Illustration Title

Group-Fig. No.

Front Door

Door, Front Shell and Hinges	Fig. DWJ-110
Door, Front Glass and Regulators	Fig. DWJ-120
Door, Front Lock and Controls	Fig. DWJ-130

Rear Door

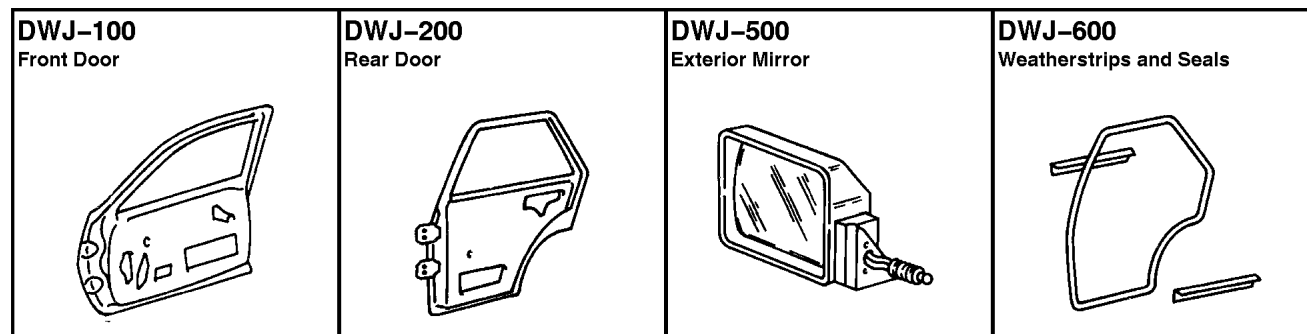
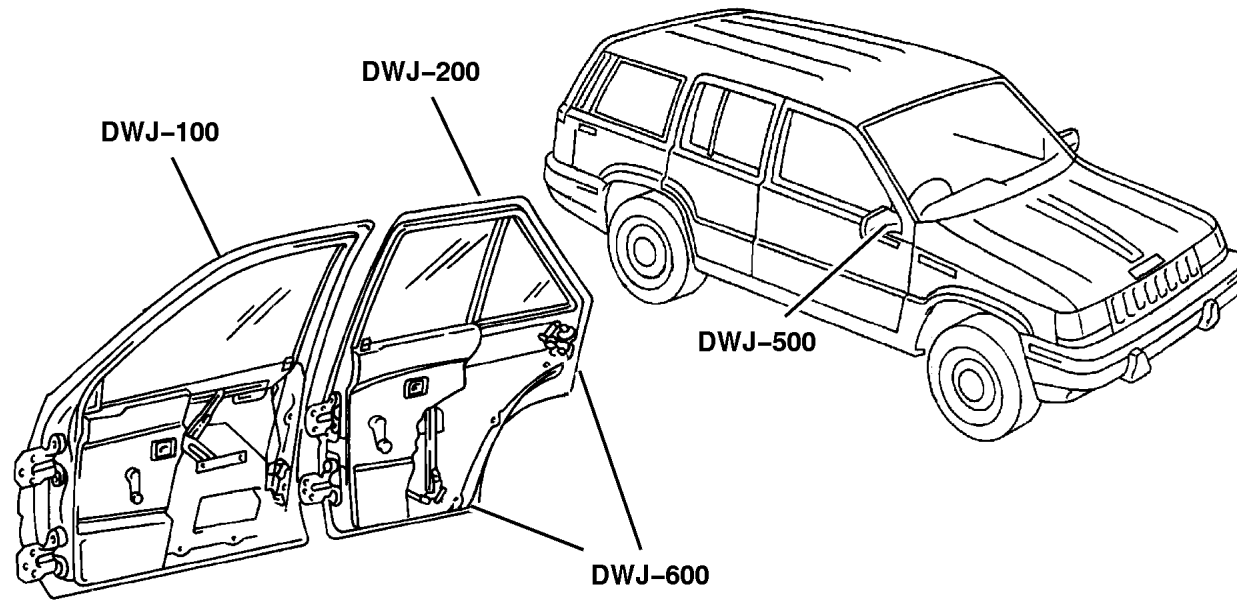
Door, Rear Shell and Hinges	Fig. DWJ-210
Door, Rear Glass and Regulators	Fig. DWJ-220
Door, Rear Lock and Controls	Fig. DWJ-230

Exterior Mirror

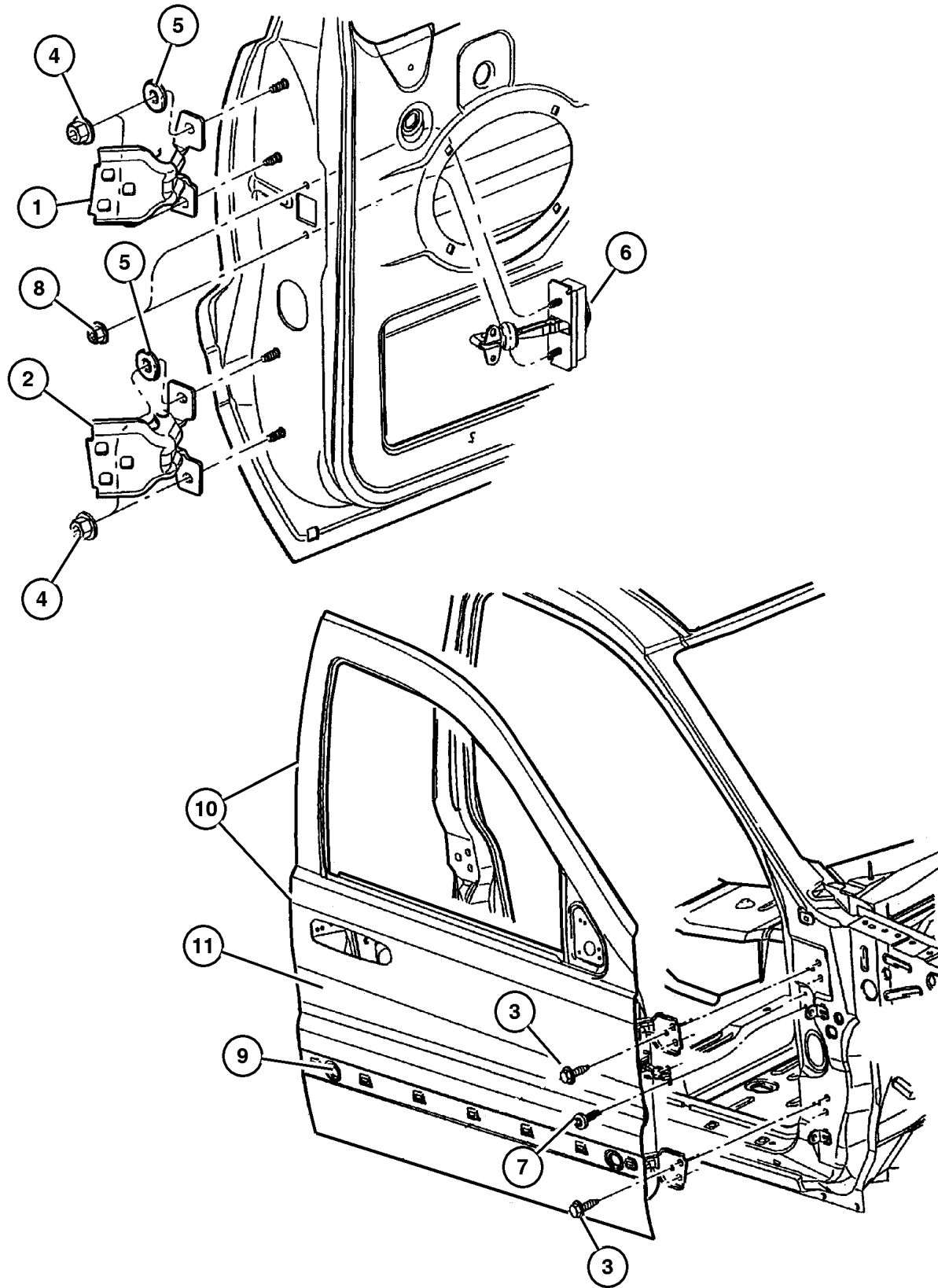
Mirrors, Exterior	Fig. DWJ-510
-------------------------	--------------

Weatherstrips and Seals

Door, Front Weatherstrips and Seals	Fig. DWJ-610
Door, Rear Weatherstrips and Seals	Fig. DWJ-620
Door, Rear Tail Gate Weatherstrips and Seals	Fig. DWJ-630



Door, Front Shell and Hinges
Figure DWJ-110



ITEM	PART NUMBER	QTY	LINE	SERIES	BODY	ENGINE	TRANS	TRIM	DESCRIPTION
1									HINGE, Door, Upper
	55363 417AB	2							Right
	55136 481AE	2							Left
2									HINGE, Door, Lower
	55363 417AB	2							Left
	55136 481AE	2							Right
3	6503 328	14							SCREW, Hex Head, M8x1.25x30
4									NUT AND WASHER, Hex, M8x1.25, (NOT SERVICED) (Not Serviced)
5	55136 971AC	4							WASHER, Flat
6									CHECK, Front Door
	55135 590AC	1							Right
	55135 591AC	1							Left
7									SCREW, Torx Round Head, M6-1.0x20.0, (NOT SERVICED) (Not Serviced)
8	6503 504	2							NUT AND WASHER, Hex, M6x1
9	55257 380AB	12							PLUG
10									DOOR, Front
	55135 920AG	1							Right
	55135 921AG	1							Left
11									PANEL, Front Door Outer Repair
	55135 922AC	1							Right
	55135 923AC	1							Left
-12	6505 201AA	2							NUT, M5x.080x26.41
-13									SEAL, Front Door, Lower
	55136 114AC	1							Right
	55136 115AC	1							Left
-14	55135 934AC	1							REINFORCEMENT, Armrest Bracket Front Door

JEEP GRAND CHEROKEE (WJ)

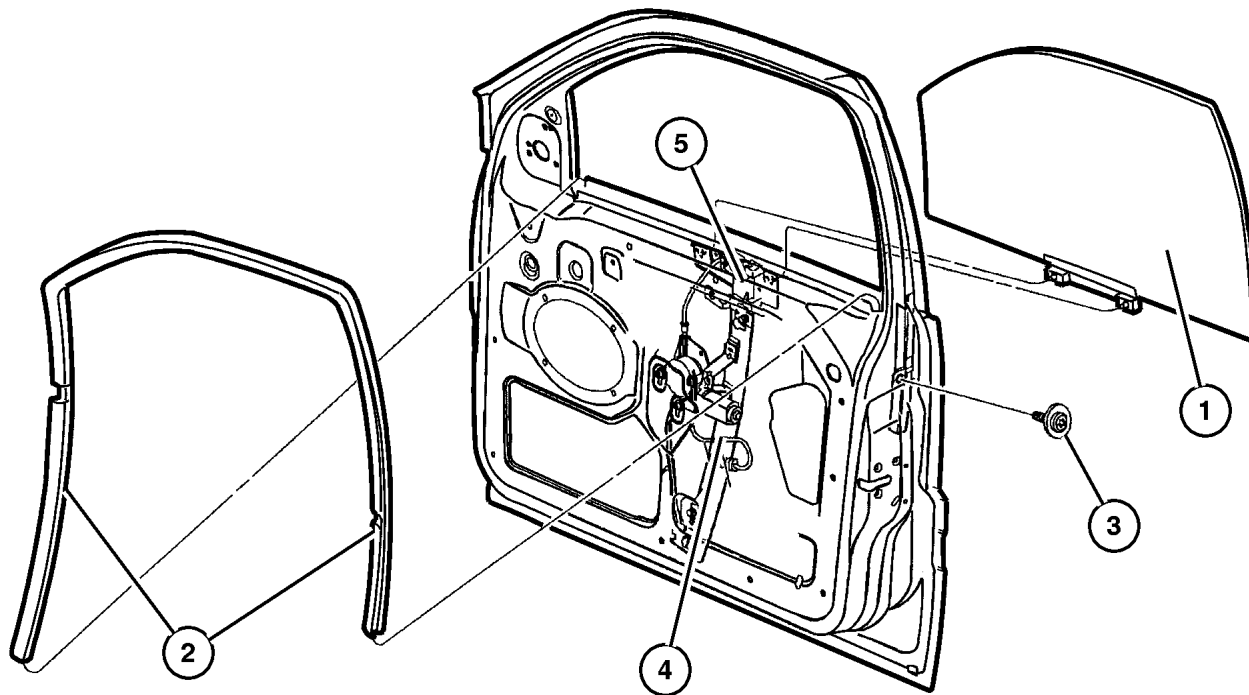
SERIES	LINE	BODY	ENGINE	TRANSMISSION
H = Laredo	J = 4WD	74 = 4 Door	ERH = 4.0L, Power Tech I-6	DGK = 4 Speed Auto, 42RE
M = Sport	T = 2WD		EVA = 4.7L Power Tech V8	DGQ = 5 Speed Auto, 45RFE
P = Limited			EVC = 4.7L HO V8 MPI	DG0 = All Automatic Trans
S = Overland			ER0 = All 4.0L 6 Cyl Gas	
			EVO = All 4.7L Gas	

AR = Use as required - = Non illustrated part # = New this model year

December 1, 2003

Door, Front Glass and Regulators
Figure DWJ-120

ITEM	PART NUMBER	QTY	LINE	SERIES	BODY	ENGINE	TRANS	TRIM	DESCRIPTION
1									GLASS, Front Door
	55136 002AC	1							Right
	55136 003AC	1							Left
	5019 810AA	1							EXPORT, Right
	5019 811AA	1							EXPORT, Left
2									SEAL, Front Door Glass
	55136 024AG	1							Right
	55136 025AG	1							Left
3	6504 987AA	2							SCREW AND WASHER, Tapping, M6-1.0x20.0
4									REGULATOR, Front Door Window
	55363 286AC	1							Right
	55363 287AC	1							Left
5									SCREW, M6X1.00X16.00, (NOT SERVICED) (Not Serviced)
-6									CHANNEL, Front Door Glass Lower
	5513 6016	1							Front
	5513 6017	1							Rear
-7	5086 563AA	1							CLIP, Regulator



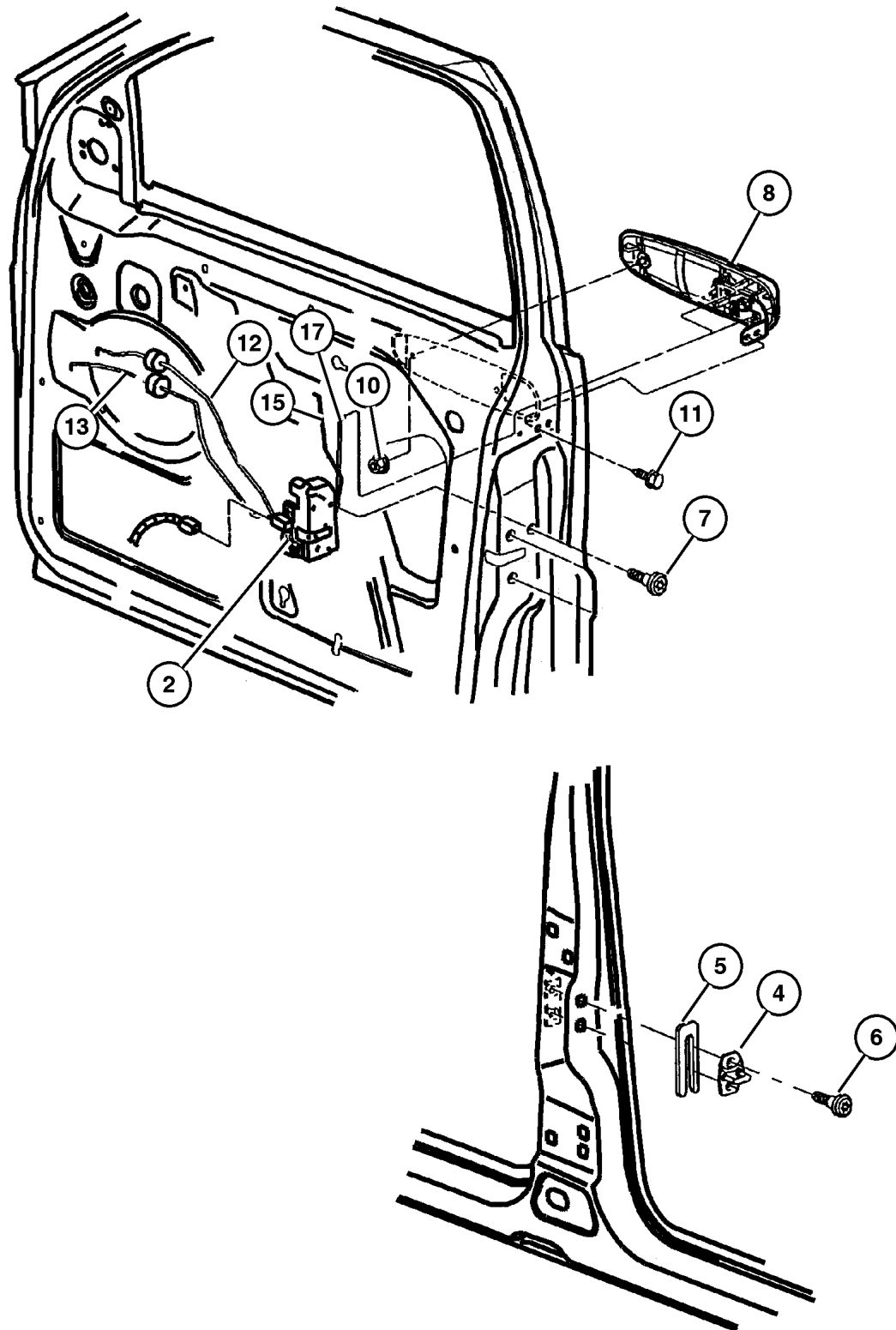
JEEP GRAND CHEROKEE (WJ)

SERIES	LINE	BODY	ENGINE	TRANSMISSION
H = Laredo	J = 4WD	74 = 4 Door	ERH = 4.0L, Power Tech I-6	DGK = 4 Speed Auto, 42RE
M = Sport	T = 2WD		EVA = 4.7L Power Tech V8	DGQ = 5 Speed Auto, 45RFE
P = Limited			EVC = 4.7L HO V8 MPI	DG0 = All Automatic Trans
S = Overland			ER0 = All 4.0L 6 Cyl Gas	
			EVO = All 4.7l Gas	

AR = Use as required - = Non illustrated part # = New this model year

December 1, 2003

Door, Front Lock and Controls
Figure DWJ-130



ITEM	PART NUMBER	QTY	LINE	SERIES	BODY	ENGINE	TRANS	TRIM	DESCRIPTION
-1									HANDLE, Door Interior
	5FX74 1DBAD	1		S					[DB], Right
	5FX74 1L5AD	1		P					[L5], Right
	5FX74 1T5AD	1		P					[T5], Right
	5FX75 1DVAD	1		P					[DV], Left
	5FX75 1L5AD	1		P					[L5], Left
	5FX75 1T5AD	1		P					[T5], Left
	5FX75 1DBAD	1		S					[DB], Left
	5FX72 1DVAC	1		H					[DV], Right
	5FX73 1DVAC	1		H					[DV], Left
	5FX72 1L5AC	1		H					[L5], Right
	5FX73 1L5AC	1		H					[L5], Left
	5FX72 1T5AC	1		H					[T5], Right
	5FX73 1T5AC	1		H					[T5], Left
	5FX74 1DVAD	1		P					[DV], Right
2									LATCH, Front Door
	55363 472AD	1							Right
	55363 473AD	1							Left
-3									CLIP, Door Latch
	5086 396AA	1		P					
		1	J	S					
		1	J	X					
4	4780 607AA	2							STRIKER, Door
5	4520 289	AR							SPACER, Door Latch Striker
6	6506 749AA	4							SCREW, 6 Lobed
7	6033 876	6							SCREW, Tapping, M6.3x1.8x38.1
8									HANDLE, Exterior Door
	55135 636AD	1		H, M					Right
	QR38 YJRAC	1		P					[JR], Right
	QR38 ZDRAC	1		P					[DR], Right
	QR38 ZMQAC	1		P					[MQ], Right
	QR38 AXRAC	1	J	S					[XR], Right
	QR38 BB8AC	1	J	S					[B8], Right
	QR38 WELAC	1	J	S					[EL], Right
	QR38 YJRAC	1	J	S					[JR], Right
	QR38 WSBAC	1	J	S					[SB], Right
	QR38 ZDRAC	1	J	S					[DR], Right
	5GG27 AXRAB	1		P					[XR], Left
	55136 351AD	1		H, M					Left
	5GG27 BB8AB	1		P					[B8], Left
	5GG27 SW1AB	1		P					[W1], Left

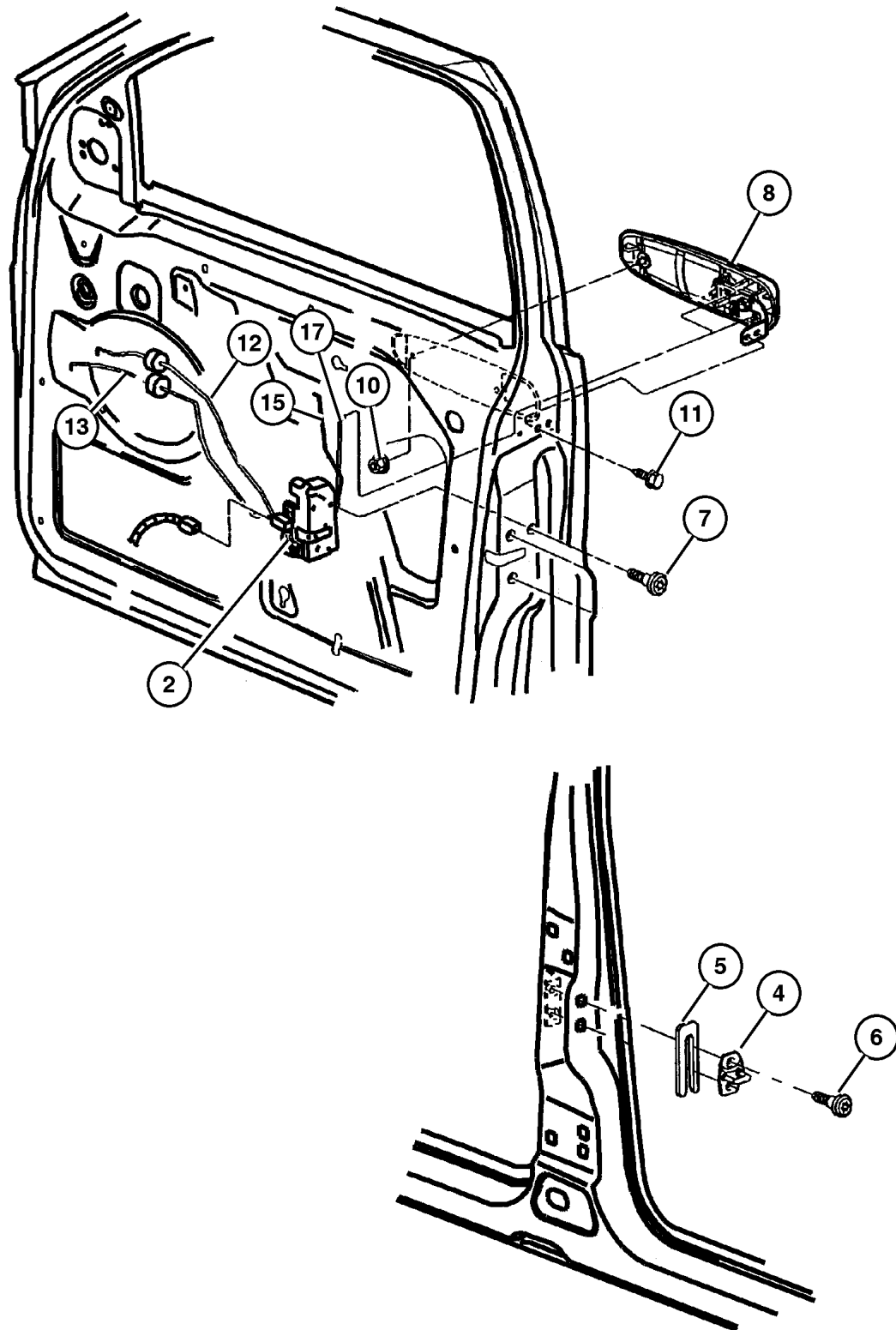
JEEP GRAND CHEROKEE (WJ)

SERIES	LINE	BODY	ENGINE	TRANSMISSION
H = Laredo	J = 4WD	74 = 4 Door	ERH = 4.0L, Power Tech I-6	DGK = 4 Speed Auto, 42RE
M = Sport	T = 2WD		EVA = 4.7L Power Tech V8	DGQ = 5 Speed Auto, 45RFE
P = Limited			EVC = 4.7L HO V8 MPI	DG0 = All Automatic Trans
S = Overland			ER0 = All 4.0L 6 Cyl Gas	
			EVO = All 4.7L Gas	

AR = Use as required - = Non illustrated part # = New this model year

December 1, 2003

Door, Front Lock and Controls
Figure DWJ-130



ITEM	PART NUMBER	QTY	LINE	SERIES	BODY	ENGINE	TRANS	TRIM	DESCRIPTION
	5GG27 WELAB	1		P					[EL], Left
	5GG27 WSBAB	1		P					[SB], Left
	5GG27 XBQAB	1		P					[BQ], Left
	5GG27 YFFAB	1		P					[FF], Left
	5GG27 YJRAB	1		P					[JR], Left
	5GG27 ZDRAB	1		P					[DR], Left
	5GG27 ZMQAB	1		P					[MQ], Left
	5GG27 AXRAB	1	J	S					[XR], Left
	QR38 AXRAC	1		P					[XR], Right
	5GG27 BB8AB	1	J	S					[B8], Left
	5GG27 WELAB	1	J	S					[EL], Left
	5GG27 WSBAB	1	J	S					[SB], Left
	5GG27 YJRAB	1	J	S					[JR], Left
	5GG27 ZDRAB	1	J	S					[DR], Left
	QR38 BB8AC	1		P					[B8], Right
	QR38 SW1AC	1		P					[W1], Right
	QR38 WELAC	1		P					[EL], Right
	QR38 WSBAC	1		P					[SB], Right
	QR38 XBQAC	1		P					[BQ], Right
	QR38 YFFAC	1		P					[FF], Right
-9	4615 346	1							CLIP, Outside Door Handle
10	6503 226	4							NUT, Hex Flange, M5x.8
11	6505 365AA	2							SCREW
12	5014 378AA	1							ROD, Inside Handle to Latch, Right
13									ROD, Inside Lock to Latch
	5014 380AA	1							Right
	5014 381AA	1							Left
-14	5071 063AA	1							RETAINER, Lock Rod
15									LINK, Exterior Door Handle
	5014 372AA	1							Right
	5014 372AB	1							Left
-16	4615 346	1							CLIP, Outside Door Handle
17	5014 386AA	1							LINK, Key Cylinder To Latch, Right

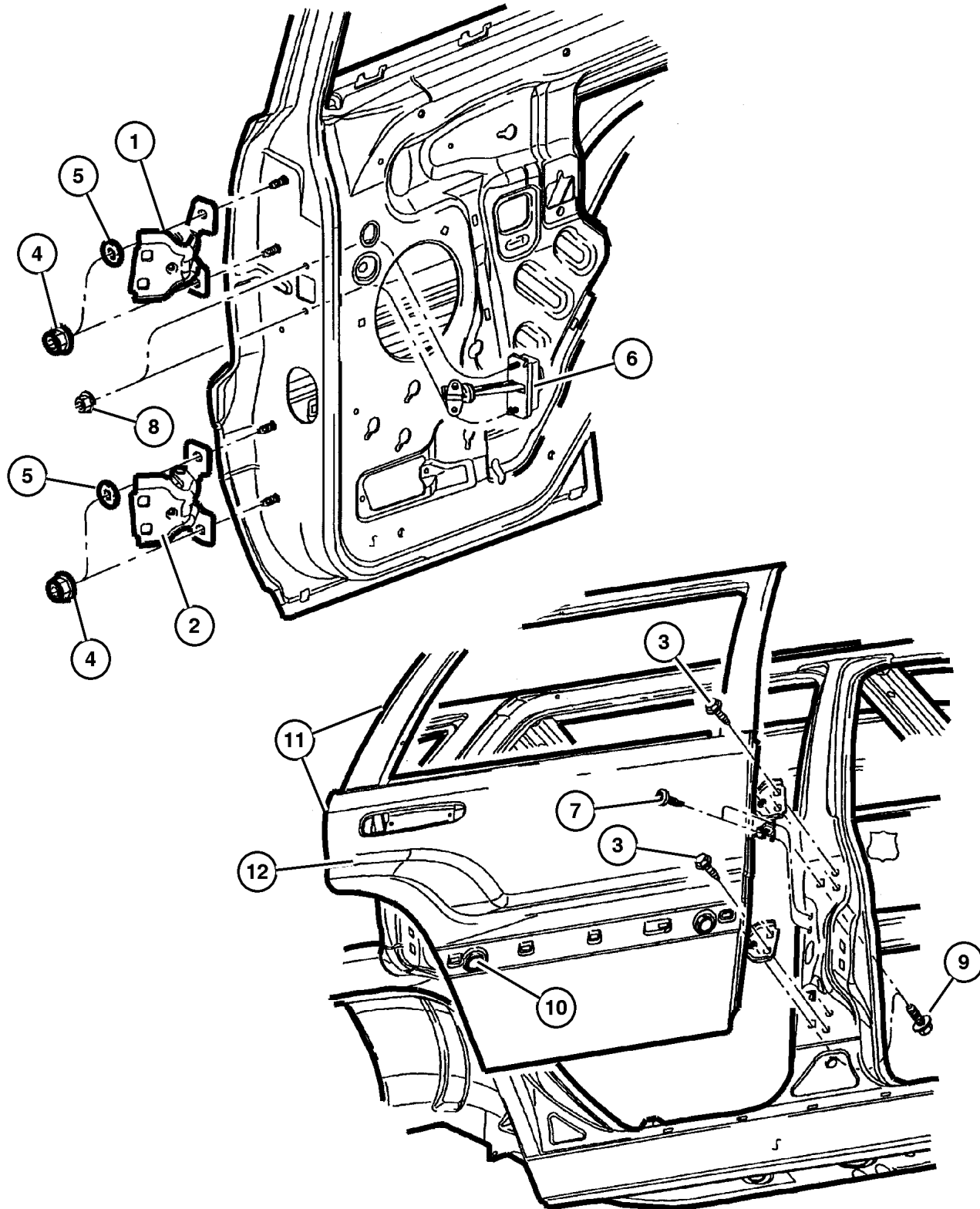
JEEP GRAND CHEROKEE (WJ)

SERIES	LINE	BODY	ENGINE	TRANSMISSION
H = Laredo	J = 4WD	74 = 4 Door	ERH = 4.0L, Power Tech I-6	DGK = 4 Speed Auto, 42RE
M = Sport	T = 2WD		EVA = 4.7L Power Tech V8	DGQ = 5 Speed Auto, 45RFE
P = Limited			EVC = 4.7L HO V8 MPI	DG0 = All Automatic Trans
S = Overland			ER0 = All 4.0L 6 Cyl Gas	
			EVO = All 4.7L Gas	

AR = Use as required - = Non illustrated part # = New this model year

December 1, 2003

Door, Rear Shell and Hinges
Figure DWJ-210



ITEM	PART NUMBER	QTY	LINE	SERIES	BODY	ENGINE	TRANS	TRIM	DESCRIPTION
1									HINGE, Door Half, Upper
	55135 575AE	2							Left
	#55363 416AC	2							Right
2									HINGE, Door Half, Lower
	55135 575AE	2							Right
	#55363 416AC	2							Left
3	6503 328	8							SCREW, Hex Head, M8x1.25x30
4									NUT AND WASHER, Hex, M8x1.25, (NOT SERVICED) (Not Serviced)
5	55136 971AC	4							WASHER, Flat
6									CHECK, Rear Door
	55135 658AB	1							Right
	55135 659AB	1							Left
7									SCREW, Torx Head, M6x1.0x16, (NOT SERVICED) (Not Serviced)
8	6503 504	2							NUT AND WASHER, Hex, M6x1
9	6503 538	4							SCREW AND WASHER, Hex Head, M8x1.25x30
10	55257 380AB	12							PLUG
11									DOOR, Rear
	55136 700AG	1							Right
	55136 701AG	1							Left
12									PANEL, Rear Door
	55136 702AC	1							Right
	55136 703AC	1							Left
-13									NUT, Rivet, M5x.080x26.41, (NOT SERVICED) (Not Serviced)
-14									SEAL, Rear Door, Retainer
	55136 900AB	1							Right
	55136 901AB	1							Left

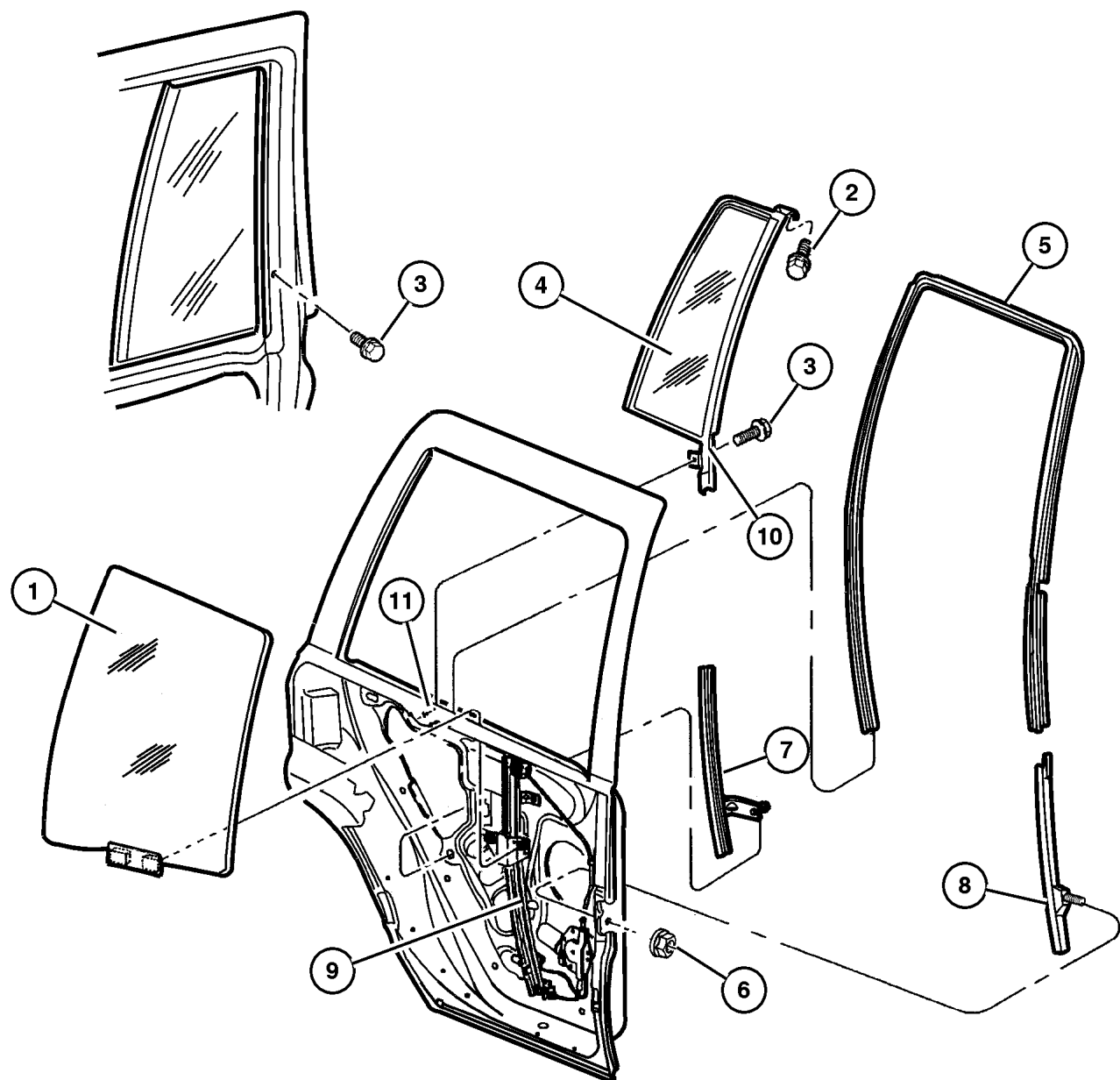
JEEP GRAND CHEROKEE (WJ)

SERIES	LINE	BODY	ENGINE	TRANSMISSION
H = Laredo	J = 4WD	74 = 4 Door	ERH = 4.0L, Power Tech I-6	DGK = 4 Speed Auto, 42RE
M = Sport	T = 2WD		EVA = 4.7L Power Tech V8	DGQ = 5 Speed Auto, 45RFE
P = Limited			EVC = 4.7L HO V8 MPI	DG0 = All Automatic Trans
S = Overland			ER0 = All 4.0L 6 Cyl Gas	
			EVO = All 4.7L Gas	

AR = Use as required - = Non illustrated part # = New this model year

December 1, 2003

Door, Rear Glass and Regulators
Figure DWJ-220



ITEM	PART NUMBER	QTY	LINE	SERIES	BODY	ENGINE	TRANS	TRIM	DESCRIPTION
1									GLASS, Rear Door
	5513 6064	1							Sunscreen, Right
	5513 6065	1							Sunscreen, Left
	5019 686AA	1							EXPORT, Right
	5019 687AA	1							EXPORT, Left
2									SCREW, Tapping, .164-15x.75, (NOT SERVICED) (Not Serviced)
3									SCREW, Hex Flange Head, [.164-18x.75], (NOT SERVICED) (Not Serviced)
4									GLASS PACKAGE, Rear Door Qtr
	5016 914AG	1							Right
	5016 915AG	1							Left
5									SEAL, Rear Door Glass
	55136 080AI	1							Right
	55136 081AI	1							Left
6	6503 504	2							NUT AND WASHER, Hex, M6x1
7									CHANNEL, Rear Door Glass Lower
	55137 102AA	1							Right
	55137 103AA	1							Left
8									CHANNEL, Rear Door Glass Lower
	5513 6716	1							Right
	5513 6717	1							Left
9									REGULATOR, Rear Door Window
	55363 284AC	1							Right
	55363 285AC	1							Left
10	55137 006AB	2							CLIP
11	6505 223AA	2							NUT, Spring, M6
-12	5086 563AA	1							CLIP, Regulator
-13	55156 736AA	2		P, S					TAPE, Anti Chip

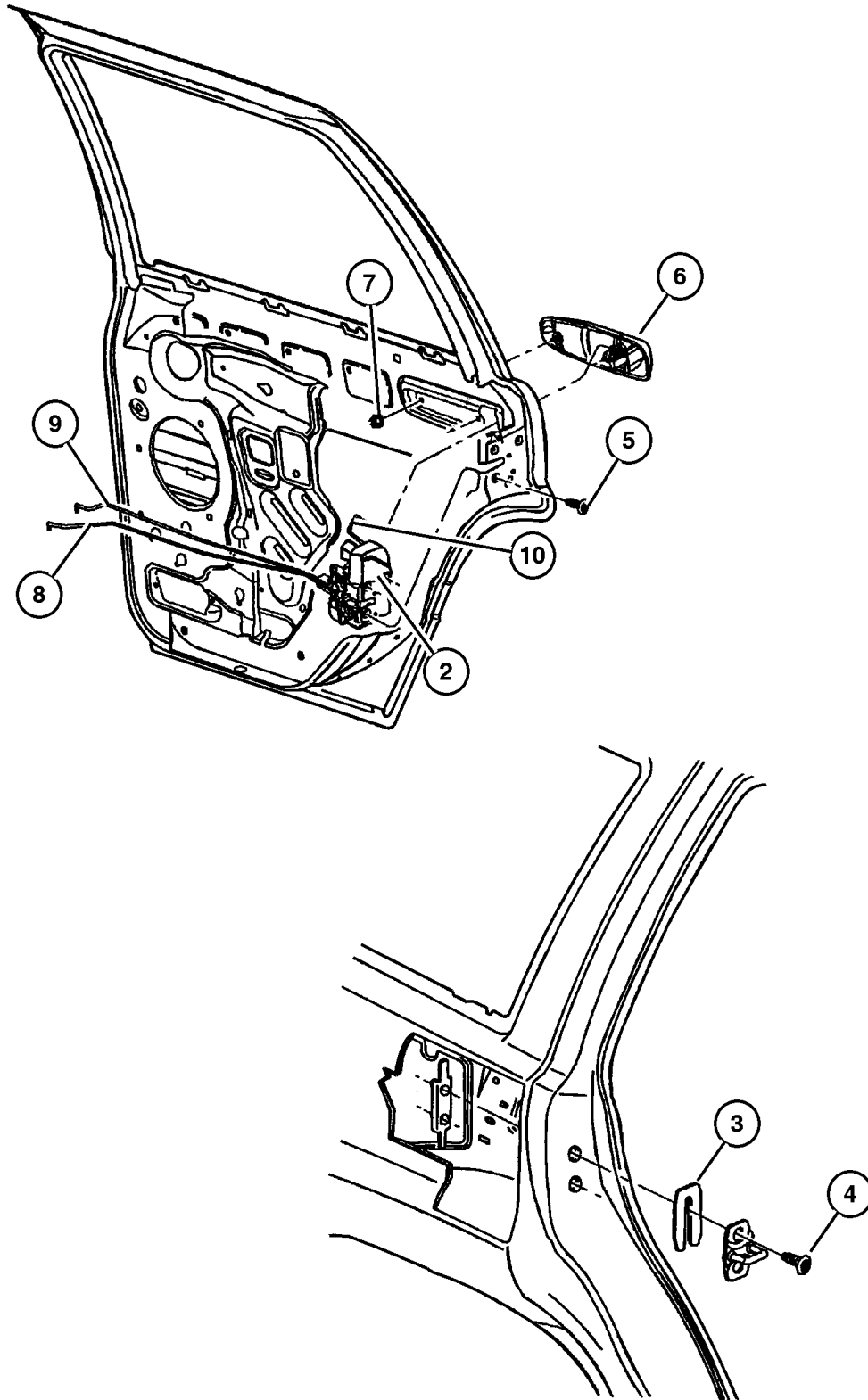
JEEP GRAND CHEROKEE (WJ)

SERIES	LINE	BODY	ENGINE	TRANSMISSION
H = Laredo	J = 4WD	74 = 4 Door	ERH = 4.0L, Power Tech I-6	DGK = 4 Speed Auto, 42RE
M = Sport	T = 2WD		EVA = 4.7L Power Tech V8	DGQ = 5 Speed Auto, 45RFE
P = Limited			EVC = 4.7L HO V8 MPI	DG0 = All Automatic Trans
S = Overland			ER0 = All 4.0L 6 Cyl Gas	
			EVO = All 4.7L Gas	

AR = Use as required - = Non illustrated part # = New this model year

December 1, 2003

Door, Rear Lock and Controls
Figure DWJ-230



ITEM	PART NUMBER	QTY	LINE	SERIES	BODY	ENGINE	TRANS	TRIM	DESCRIPTION
-1									HANDLE, Door Interior
	5FX72 1DVAC	1		H					[DV], Right
	5FX75 1DVAD	1		P					[DV], Left
	5FX75 1L5AD	1		P					[L5], Left
	5FX75 1T5AD	1		P					[T5], Left
	5FX74 1DBAD	1		S					[DB], Right
	5FX75 1DBAD	1		S					[DB], Left
	5FX72 1L5AC	1		H					[L5], Right
	5FX72 1T5AC	1		H					[T5], Right
	5FX73 1DVAC	1		H					[DV], Left
	5FX73 1L5AC	1		H					[L5], Left
	5FX73 1T5AC	1		H					[T5], Left
	5FX74 1DVAD	1		P					[DV], Right
	5FX74 1L5AD	1		P					[L5], Right
	5FX74 1T5AD	1		P					[T5], Right
2									LATCH, Rear Door
	55363 474AC	1							Right
	55363 475AC	1							Left
3	4520 289	AR							SPACER, Door Latch Striker
4	6506 749AA	4							SCREW, 6 Lobed
5									SCREW, Tapping, M6.3x1.8x38.1, (NOT SERVICED) (Not Serviced)
6									HANDLE, Exterior Door
	55135 838AD	1		H, M					Right
	5FW46 YJRAC	1		P, S					[JR], Right
	5FW46 ZDRAC	1		P, S					[DR], Right
	5FW46 ZMQAC	1		P, S					[MQ], Right
	5FW47 AXRAC	1		P, S					[XR], Left
	5FW47 BB8AC	1		P, S					[B8], Left
	5FW47 SW1AC	1		P, S					[W1], Left
	5FW47 WELAC	1		P, S					[EL], Left
	5FW47 WSBAC	1		P, S					[SB], Left
	5FW47 XBQAC	1		P, S					[BQ], Left
	5FW47 YFFAC	1		P, S					[FF], Left
	55135 839AD	1		H, M					Left
	5FW47 YJRAC	1		P, S					[JR], Left
	5FW47 ZDRAC	1		P, S					[DR], Left
	5FW47 ZMQAC	1		P, S					[MQ], Left
	5FW46 AXRAC	1		P, S					[XR], Right
	5FW46 BB8AC	1		P, S					[B8], Right
	5FW46 SW1AC	1		P, S					[W1], Right

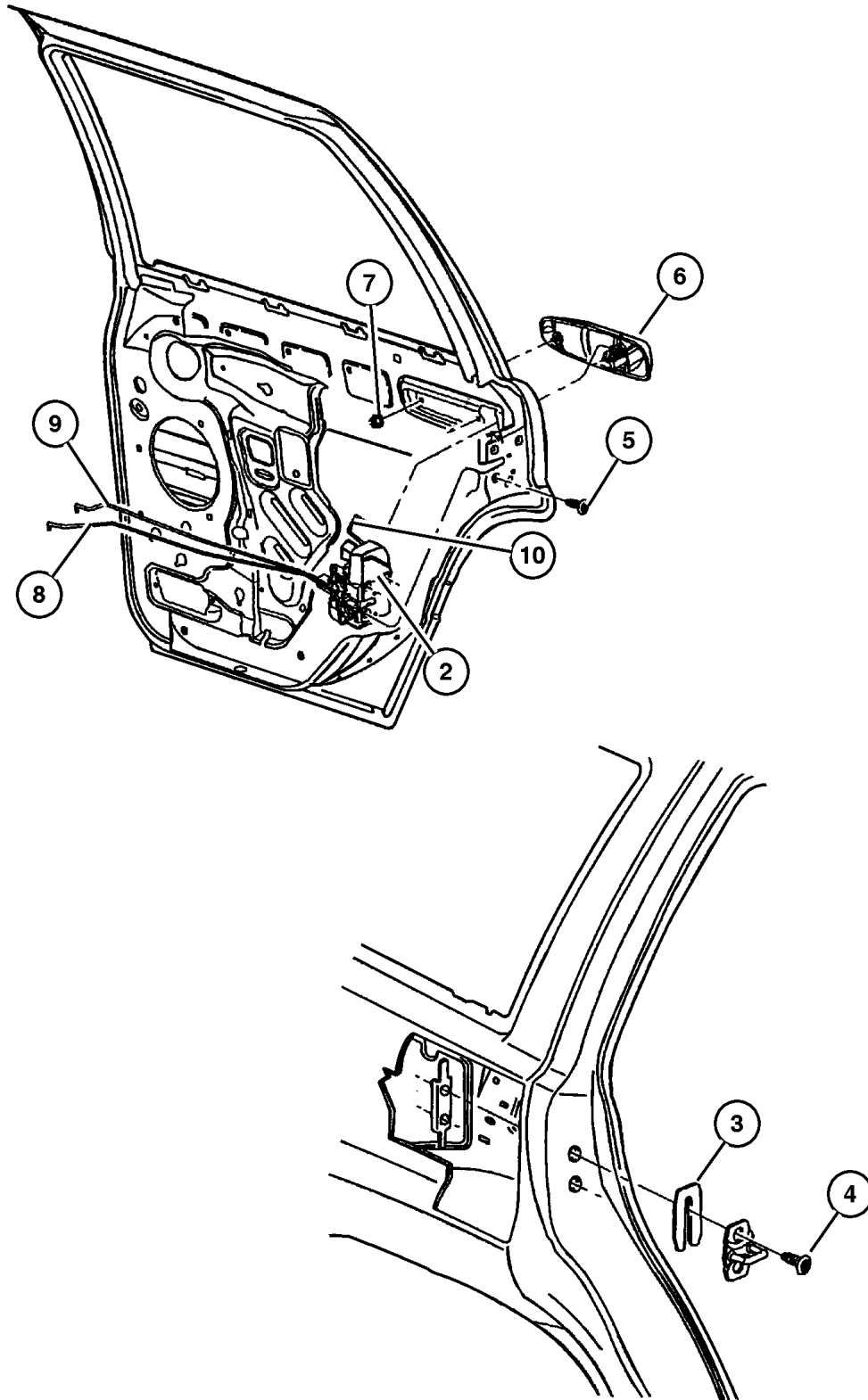
JEEP GRAND CHEROKEE (WJ)

SERIES	LINE	BODY	ENGINE	TRANSMISSION
H = Laredo	J = 4WD	74 = 4 Door	ERH = 4.0L, Power Tech I-6	DGK = 4 Speed Auto, 42RE
M = Sport	T = 2WD		EVA = 4.7L Power Tech V8	DGQ = 5 Speed Auto, 45RFE
P = Limited			EVC = 4.7L HO V8 MPI	DG0 = All Automatic Trans
S = Overland			ER0 = All 4.0L 6 Cyl Gas	
			EVO = All 4.7l Gas	

AR = Use as required - = Non illustrated part # = New this model year

December 1, 2003

Door, Rear Lock and Controls
Figure DWJ-230



ITEM	PART NUMBER	QTY	LINE	SERIES	BODY	ENGINE	TRANS	TRIM	DESCRIPTION
	5FW46 WELAC	1		P, S					[EL], Right
	5FW46 WSBAC	1		P, S					[SB], Right
	5FW46 XBQAC	1		P, S					[BQ], Right
	5FW46 YFFAC	1		P, S					[FF], Right
7	6503 226	4							NUT, Hex Flange, M5x.8
8									ROD, Inside Handle to Latch
	5014 384AB	1							Right
	5014 385AB	1							Left
9									ROD, Inside Lock to Latch
	5014 382AB	1							Right
	5014 383AB	1							Left
10									LINK, Exterior Door Handle
	5014 372AA	1							Right
	5014 372AB	1							Left
-11	4615 346	1							CLIP, Outside Door Handle

JEEP GRAND CHEROKEE (WJ)

SERIES	LINE	BODY	ENGINE	TRANSMISSION
H = Laredo	J = 4WD	74 = 4 Door	ERH = 4.0L, Power Tech I-6	DGK = 4 Speed Auto, 42RE
M = Sport	T = 2WD		EVA = 4.7L Power Tech V8	DGQ = 5 Speed Auto, 45RFE
P = Limited			EVC = 4.7L HO V8 MPI	DG0 = All Automatic Trans
S = Overland			ER0 = All 4.0L 6 Cyl Gas	
			EVO = All 4.7l Gas	

AR = Use as required - = Non illustrated part # = New this model year

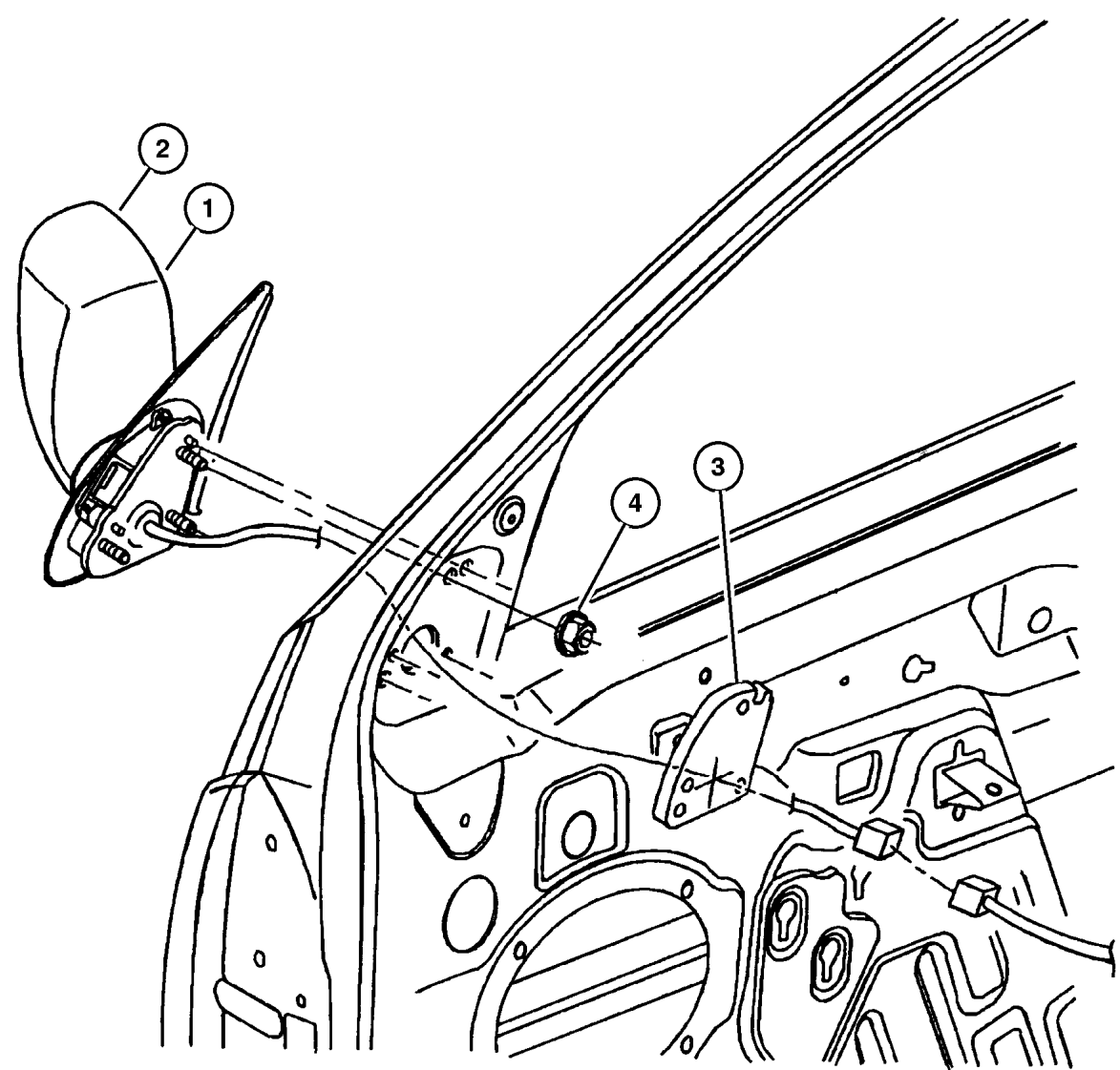
December 1, 2003

Mirrors, Exterior
Figure DWJ-510

ITEM	PART NUMBER	QTY	LINE	SERIES	BODY	ENGINE	TRANS	TRIM	DESCRIPTION
------	-------------	-----	------	--------	------	--------	-------	------	-------------

Note: Sales Code GTF = Power Fold-Away
 Note: Sales Code GTN = Power Fold-Away
 Note: Sales Code GTM = Power Fold-Away Heated
 Note: Sales Code GTR = Power Fold-Away
 Note: Sales Code GTW = Power Fold-Away Black
 Note: Sales Code GT3 = Power Fold-Away Hea

1									MIRROR, Outside, Rearview, Electric, Heated
	55156 880AA	1							[GT3], Right
	#55155 231AI	1							[GT3], Left
	55156 880AA	1							[GTM], Right
	55155 233AE	1							[GTM], [Up To 9-12-02], Left
	55155 233AG	1							[GTM], [After 9-12-02], Left
2									MIRROR, Outside Rearview Electric Foldaway
	55155 446AG	1							[GTN], Right
	55155 447AF	1							[GTN], Left
3									SEAL, Mirror
	55136 274AB	1							Right
	55136 275AB	1							Left
4	J420 0408	6							NUT AND WASHER, Hex Nut-Coned Washer, M5 x 0.80
-5									GLASS, Mirror Replacement
	5013 636AA	1							[GTN], Right
	5013 637AA	1							[GTN], Left
	5017 072AA	1							[GTM], Right
	5017 073AA	1							[GTM], Left
	5017 072AA	1							[GT3], Right
	#5017 075AB	1							[GT3], Left

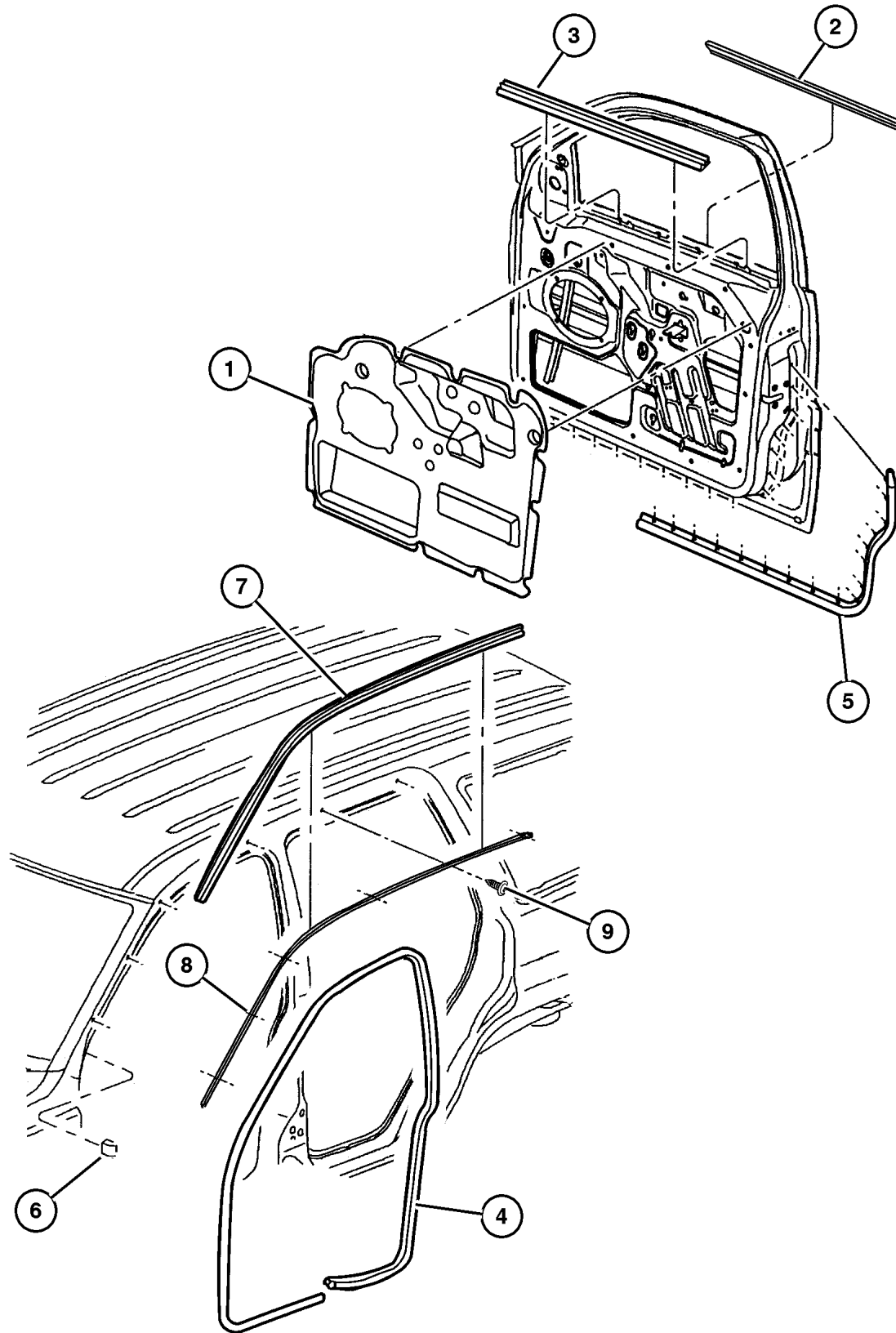


JEEP GRAND CHEROKEE (WJ)				
SERIES	LINE	BODY	ENGINE	TRANSMISSION
H = Laredo	J = 4WD	74 = 4 Door	ERH = 4.0L, Power Tech I-6	DGK = 4 Speed Auto, 42RE
M = Sport	T = 2WD		EVA = 4.7L Power Tech V8	DGQ = 5 Speed Auto, 45RFE
P = Limited			EVC = 4.7L HO V8 MPI	DG0 = All Automatic Trans
S = Overland			ER0 = All 4.0L 6 Cyl Gas	
			EVO = All 4.7l Gas	

AR = Use as required - = Non illustrated part # = New this model year

December 1, 2003

Door, Front Weatherstrips and Seals
Figure DWJ-610



ITEM	PART NUMBER	QTY	LINE	SERIES	BODY	ENGINE	TRANS	TRIM	DESCRIPTION
1									INSULATOR, Front Door
	55135 874AI	1							Right
	55135 875AI	1							Left
2									WEATHERSTRIP, Front Door Belt
	55135 878AD	1							Right
	55135 879AD	1							Left
3									WEATHERSTRIP, Front Door Belt
	#55135 898AD	1							Right
	#55135 899AD	1							Left
4	55135 918AI	2							SEAL, Front Door
5									SEAL, Front Door
	55136 115AC	1							Right
		1							Left
6									BLOCKER, Seal Exterior A Pillar
	55363 144AB	1							Right
	55363 145AB	1							Left
7									SEAL, Body Side
	55135 869AF	1							Right
	55135 872AF	1							Left
8									MOLDING, Windshield
	55136 902AE	1							Right
	55136 903AE	1							Left
9									SCREW, Tapping, .164-18x.437, 06033605, (NOT SERVICED) (Not Serviced)

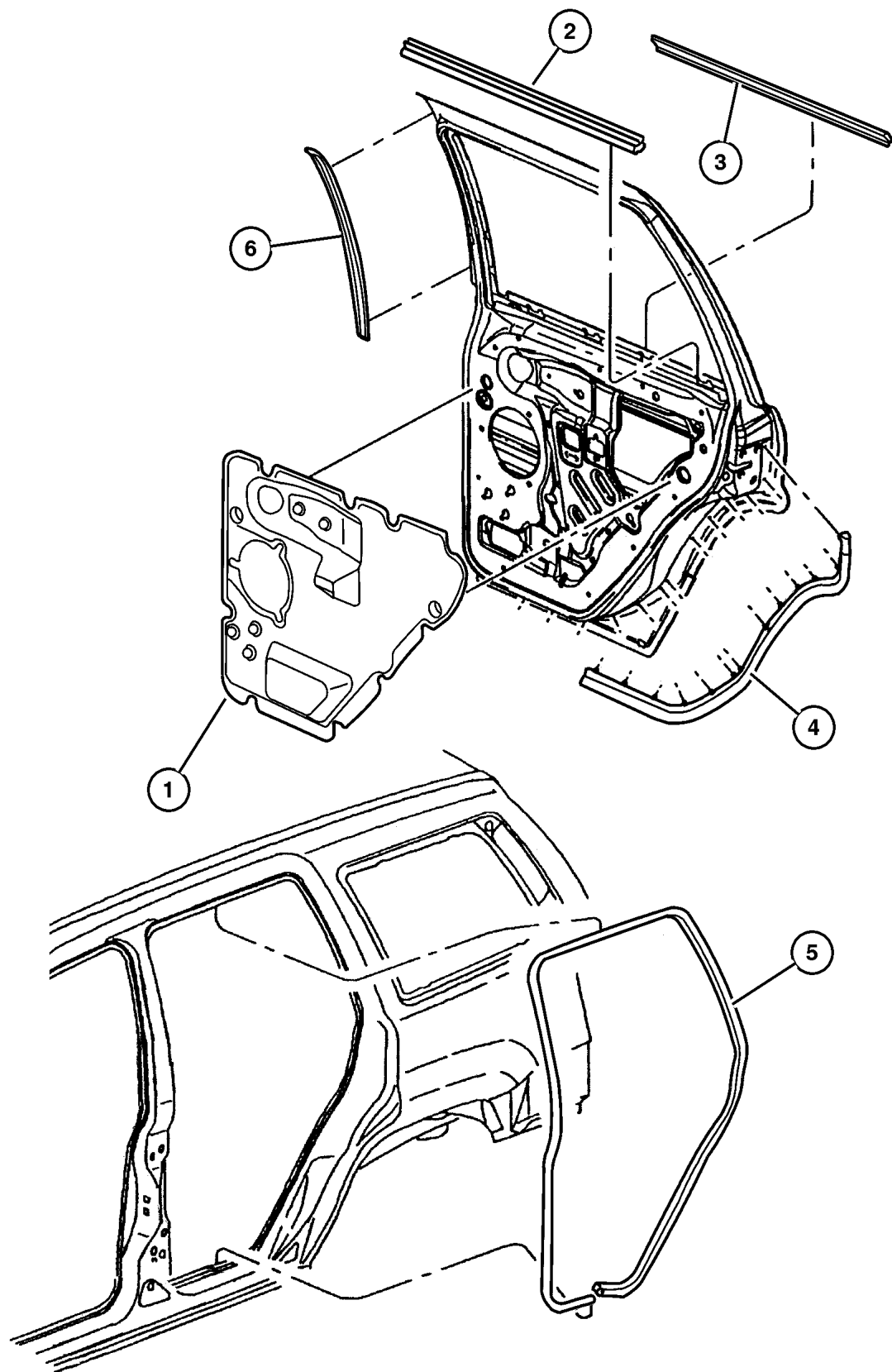
JEEP GRAND CHEROKEE (WJ)

SERIES	LINE	BODY	ENGINE	TRANSMISSION
H = Laredo	J = 4WD	74 = 4 Door	ERH = 4.0L, Power Tech I-6	DGK = 4 Speed Auto, 42RE
M = Sport	T = 2WD		EVA = 4.7L Power Tech V8	DGQ = 5 Speed Auto, 45RFE
P = Limited			EVC = 4.7L HO V8 MPI	DG0 = All Automatic Trans
S = Overland			ER0 = All 4.0L 6 Cyl Gas	
			EVO = All 4.7l Gas	

AR = Use as required - = Non illustrated part # = New this model year

December 1, 2003

**Door, Rear Weatherstrips and Seals
Figure DWJ-620**



ITEM	PART NUMBER	QTY	LINE	SERIES	BODY	ENGINE	TRANS	TRIM	DESCRIPTION
1	55135 876AF	1							INSULATOR, Rear Door Right
	55135 877AF	1							Left
2	#55135 888AD	1							WEATHERSTRIP, Rear Door Belt, Inner Right
	#55135 889AD	1							Left
3	55135 890AD	1							WEATHERSTRIP, Rear Door Belt, Outer Right
	55135 891AD	1							Left
4	55136 116AD	1							SEAL, Rear Door Right
	55136 117AD	1							Left
5	55135 958AI	2							SEAL, Rear Door
6	55136 118AD	1							SEAL, B-Pillar Right
	55136 119AD	1							Left

JEEP GRAND CHEROKEE (WJ)

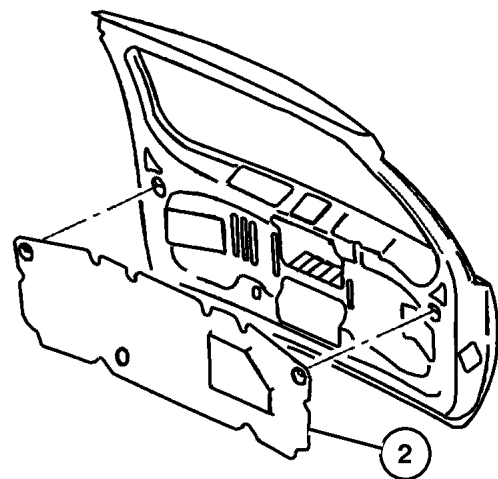
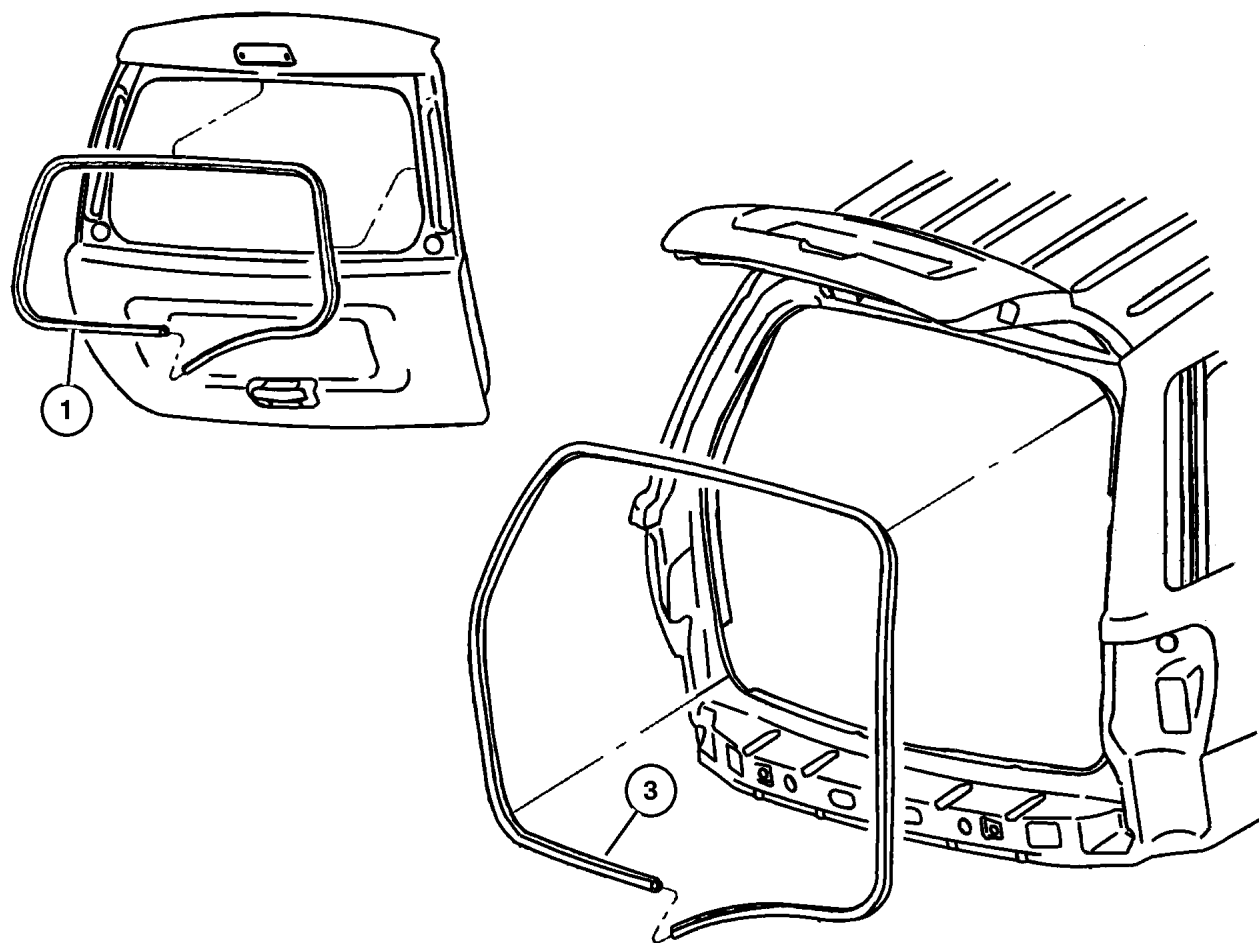
SERIES	LINE	BODY	ENGINE	TRANSMISSION
H = Laredo	J = 4WD	74 = 4 Door	ERH = 4.0L, Power Tech I-6	DGK = 4 Speed Auto, 42RE
M = Sport	T = 2WD		EVA = 4.7L Power Tech V8	DGQ = 5 Speed Auto, 45RFE
P = Limited			EVC = 4.7L HO V8 MPI	DG0 = All Automatic Trans
S = Overland			ER0 = All 4.0L 6 Cyl Gas	
			EVO = All 4.7l Gas	

AR = Use as required - = Non illustrated part # = New this model year

December 1, 2003

**Door, Rear Tail Gate Weatherstrips and Seals
Figure DWJ-630**

ITEM	PART NUMBER	QTY	LINE	SERIES	BODY	ENGINE	TRANS	TRIM	DESCRIPTION
1	55363 160AC	1							WEATHERSTRIP, Liftgate Glass
2	55136 185AC	1							INSULATION, liftgate
3	55135 388AD	1							SEAL, Liftgate



JEEP GRAND CHEROKEE (WJ)

SERIES	LINE	BODY	ENGINE	TRANSMISSION
H = Laredo	J = 4WD	74 = 4 Door	ERH = 4.0L, Power Tech I-6	DGK = 4 Speed Auto, 42RE
M = Sport	T = 2WD		EVA = 4.7L Power Tech V8	DGQ = 5 Speed Auto, 45RFE
P = Limited			EVC = 4.7L HO V8 MPI	DG0 = All Automatic Trans
S = Overland			ER0 = All 4.0L 6 Cyl Gas	
			EVO = All 4.7l Gas	

AR = Use as required - = Non illustrated part # = New this model year

December 1, 2003

Group – EWJ

Exterior Ornamentation

GROUP EWJ - Exterior Ornamentation

Illustration Title

Group-Fig. No.

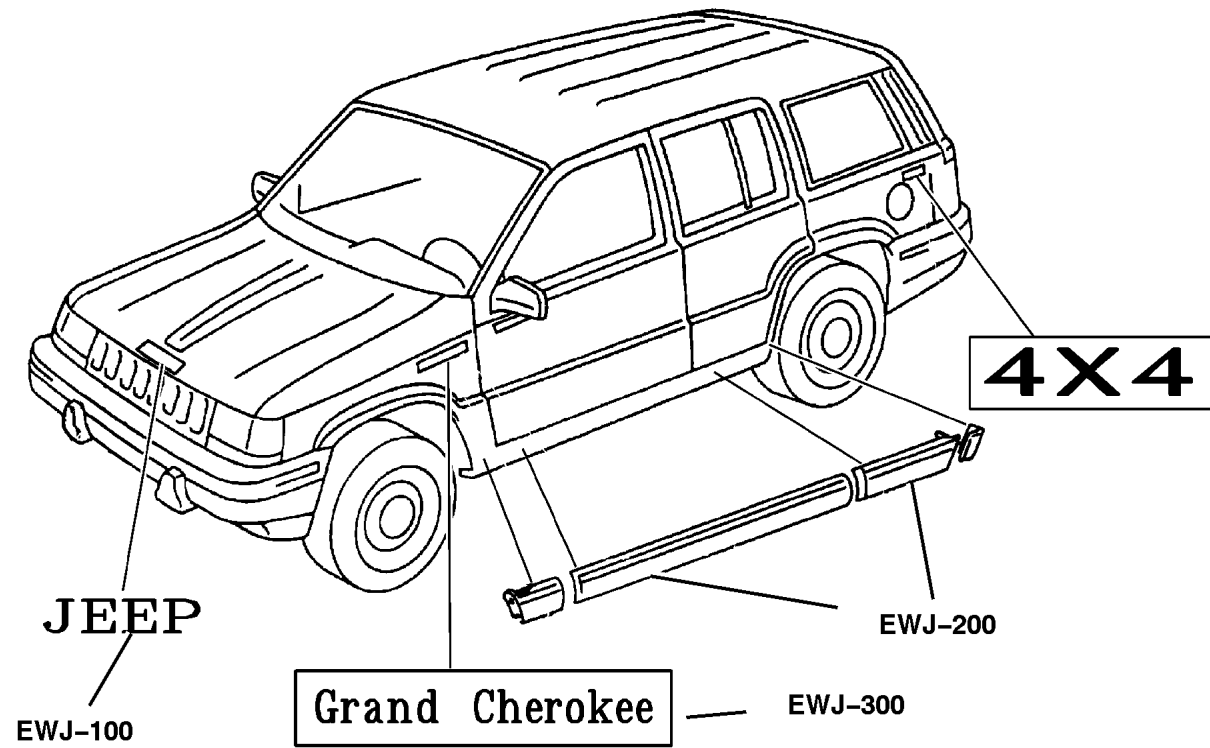
Nameplates

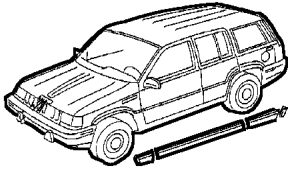
Nameplates and Decals Fig. EWJ-120

Moldings and Ornamentation

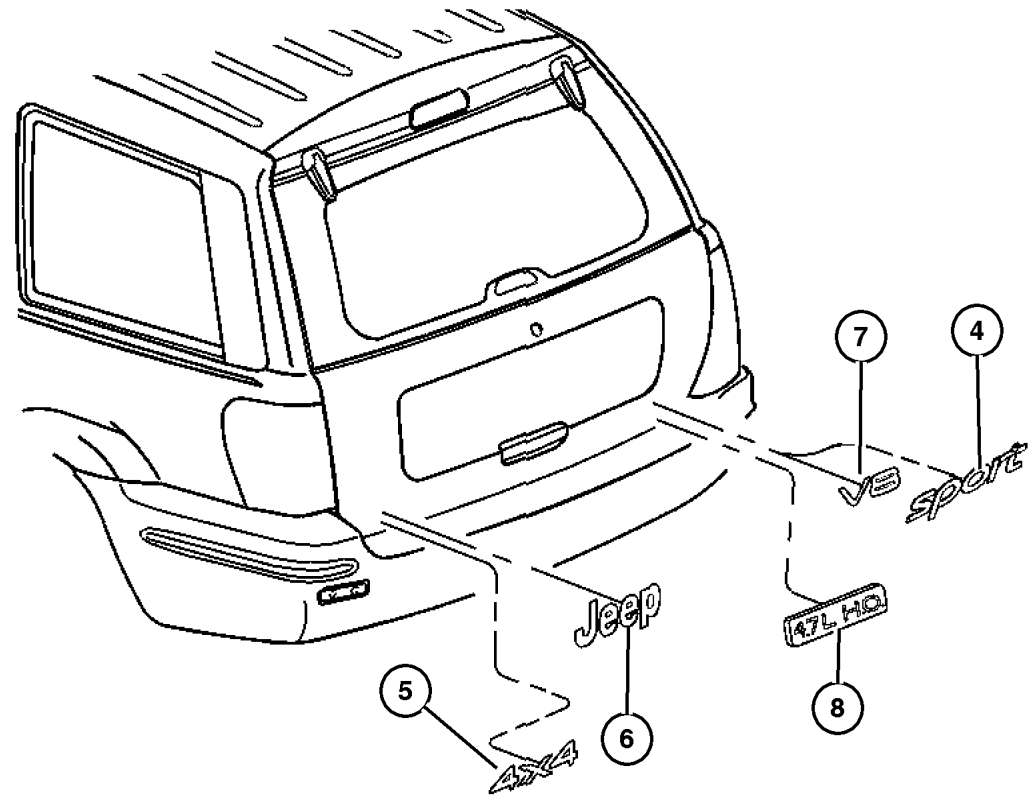
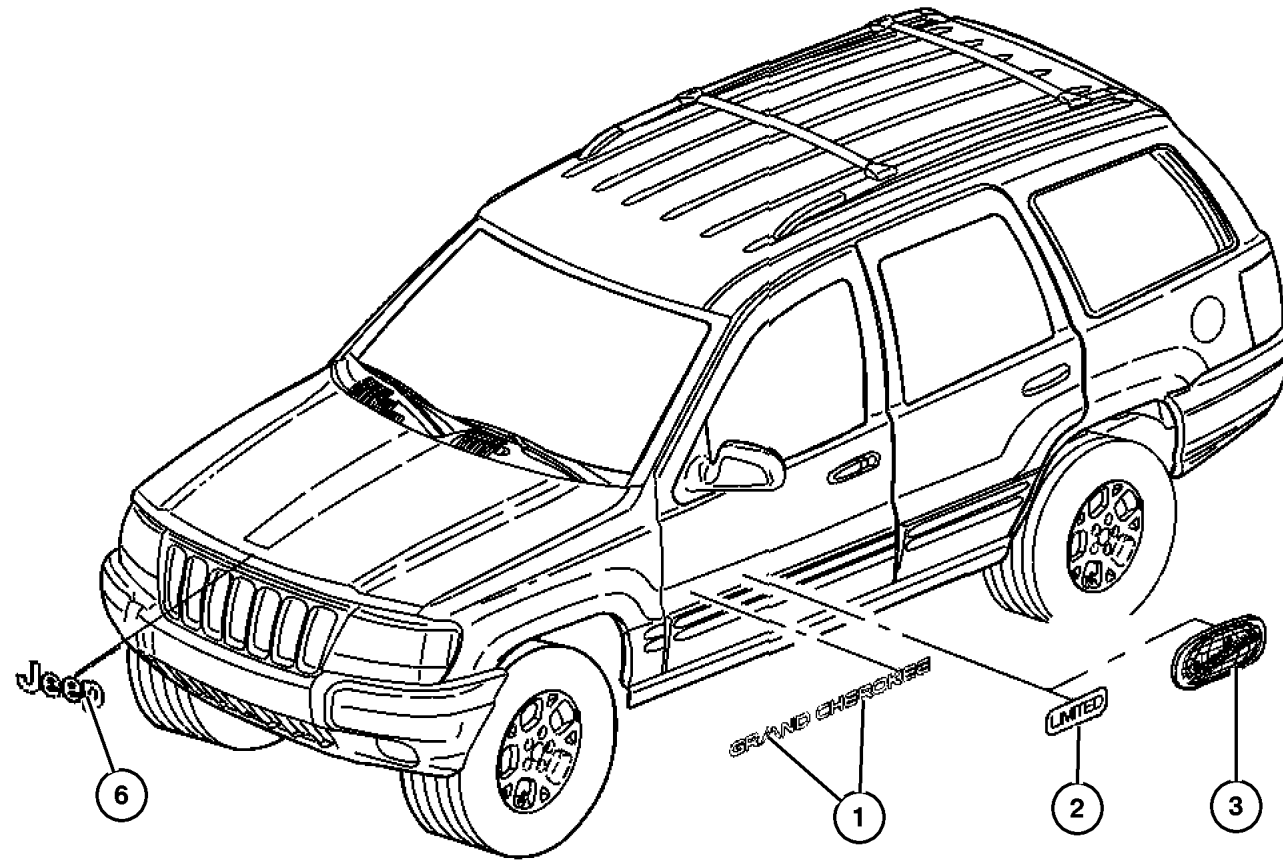
Moldings, Upper Fig. EWJ-210

Cladding and Sill Moldings Fig. EWJ-220



<p>EWJ-100 Nameplates</p> <p>Grand Cherokee JEEP</p>	<p>EWJ-200 Moldings and Ornamentation</p> 		
---	--	--	--

**Nameplates and Decals
Figure EWJ-120**



ITEM	PART NUMBER	QTY	LINE	SERIES	BODY	ENGINE	TRANS	TRIM	DESCRIPTION
1	5515 5621	2							NAMEPLATE, Grand Cherokee [MVB]
	5JM98 CA1AA	2							[KWS]
2	55156 043AA	2		P					DIMENSIONAL GRAPHIC, Limited [MVA], Up To 12-5-02 Large
	#55156 043AB	2		P					[MVA], After 12-5-02 Small
3	55156 590AA	2	J						NAMEPLATE, Overland, [MZM]
4	55156 273AF	1							DIMENSIONAL GRAPHIC, Sport, [MVJ]
5	5515 5623	1	J						NAMEPLATE, 4 x 4 [MWT]
	5JN00 CA1AA	1	J						[KRS]
6	5515 5622	2							NAMEPLATE, Jeep, Jeep, [MVC]
7	5515 5620	1							NAMEPLATE, V8 [MVE]
	5JM89 CA1AA	1							[KSS]
8	55156 208AA	2							NAMEPLATE, 4.7L HO, [MTB]
-9	#55156 867AA	2		H					DIMENSIONAL GRAPHIC, Special Edition, [MZ7]
-10	55155 994AA	1							NAMEPLATE, Quadra Drive, [MZB]
-11	55156 895AA	2							DIMENSIONAL GRAPHIC, Freedom Edition, [MS1]
-12	55157 022AA	2							DIMENSIONAL GRAPHIC, Rocky Mountain, [MZW]
-13	#55157 106AA	1							DECAL, Trail Rated, MT2
-14	#55157 099AA	2							NAMEPLATE, Columbia Edition, [MTS]

JEEP GRAND CHEROKEE (WJ)

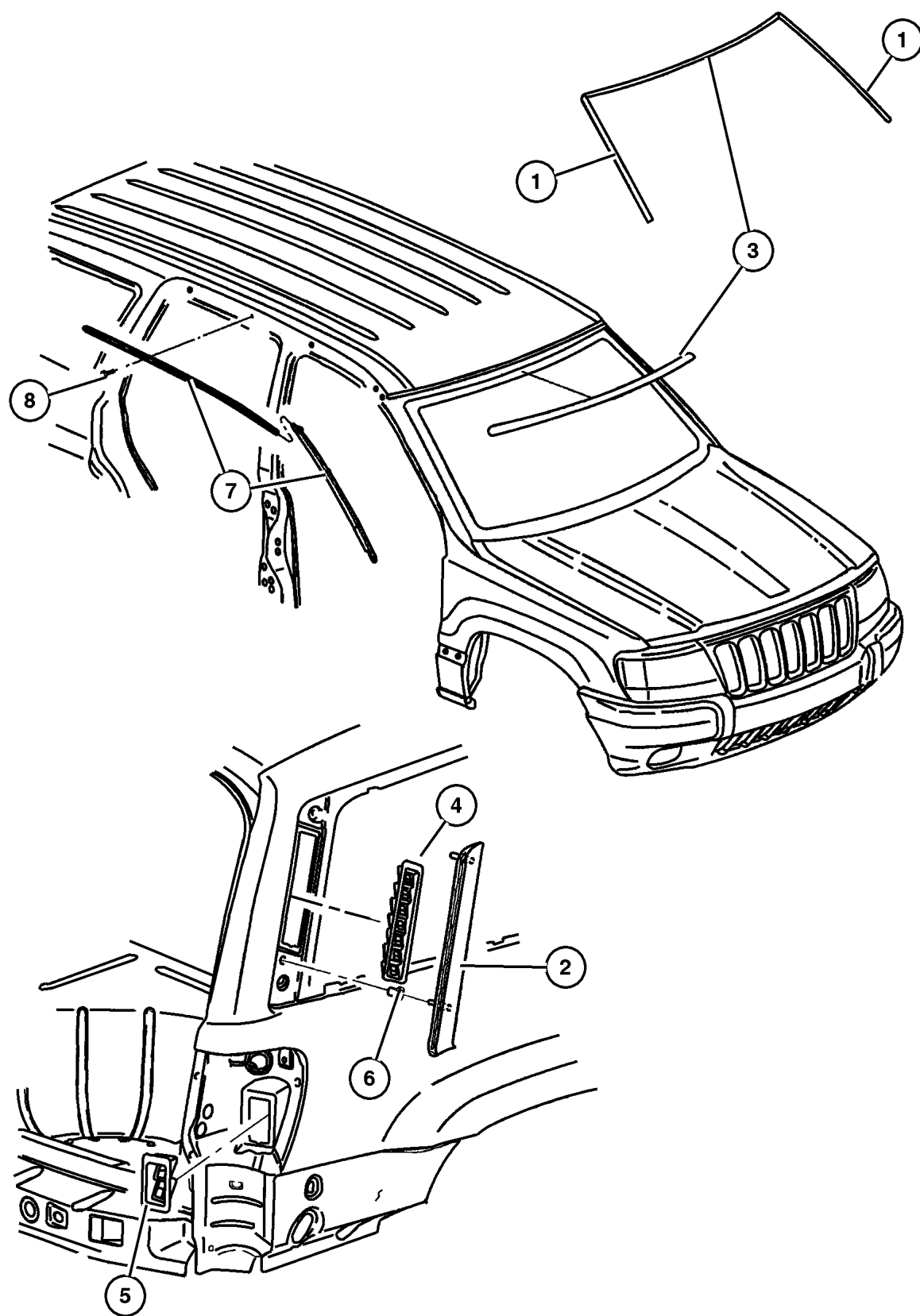
SERIES	LINE	BODY	ENGINE	TRANSMISSION
H = Laredo	J = 4WD	74 = 4 Door	ERH = 4.0L, Power Tech I-6	DGK = 4 Speed Auto, 42RE
M = Sport	T = 2WD		EVA = 4.7L Power Tech V8	DGQ = 5 Speed Auto, 45RFE
P = Limited			EVC = 4.7L HO V8 MPI	DG0 = All Automatic Trans
S = Overland			ER0 = All 4.0L 6 Cyl Gas	
			EVO = All 4.7L Gas	

AR = Use as required - = Non illustrated part # = New this model year

December 1, 2003

Moldings, Upper Figure EWJ-210

ITEM	PART NUMBER	QTY	LINE	SERIES	BODY	ENGINE	TRANS	TRIM	DESCRIPTION
1									MOLDING, Windshield
	55136 902AE	1							Right
	55136 903AE	1							Left
2									APPLIQUE, D Pillar
	5EZ20 AXRAE	1		P, S					[XR], Right
	5EZ20 ZMQAE	1		P, S					[MQ], Right
	5EZ21 AXRAE	1		P, S					[XR], Left
	5EZ21 BB8AE	1		P, S					[B8], Left
	5EZ21 SW1AE	1		P, S					[W1], Left
	5EZ21 WELAE	1		P, S					[EL], Left
	5EZ21 WSBAE	1		P, S					[SB], Left
	5EZ21 XBQAE	1		P, S					[BQ], Left
	5EZ21 YFFAE	1		P, S					[FF], Left
	5EZ21 YJRAE	1		P, S					[JR], Left
	5EZ21 ZDRAE	1		P, S					[DR], Left
	5EZ20 BB8AE	1		P, S					[B8], Right
	5EZ21 ZMQAE	1		P, S					[MQ], Left
	5JG18 RXFAB	1		H					Right
	5JG19 RXFAB	1		H					Left
	5EZ20 SW1AE	1		P, S					[W1], Right
	5EZ20 WELAE	1		P, S					[EL], Right
	5EZ20 WSBAE	1		P, S					[SB], Right
	5EZ20 XBQAE	1		P, S					[BQ], Right
	5EZ20 YFFAE	1		P, S					[FF], Right
	5EZ20 YJRAE	1		P, S					[JR], Right
	5EZ20 ZDRAE	1		P, S					[DR], Right
3									MOLDING, Windshield, 55135592ad, (NOT SERVICED) (Not Serviced)
4	55136 278AF	1							EXHAUSTER, Quarter Panel, Right
5	55136 280AB	2							EXHAUSTER, Quarter Panel
6	6004 512	4							CLIP, D Pillar Exhauster
7									SEAL, Body Side
	55135 869AC	1							Right
	55135 872AC	1							Left
8									SCREW, Tapping, .164-18x.437, 06033605, (NOT SERVICED) (Not Serviced)



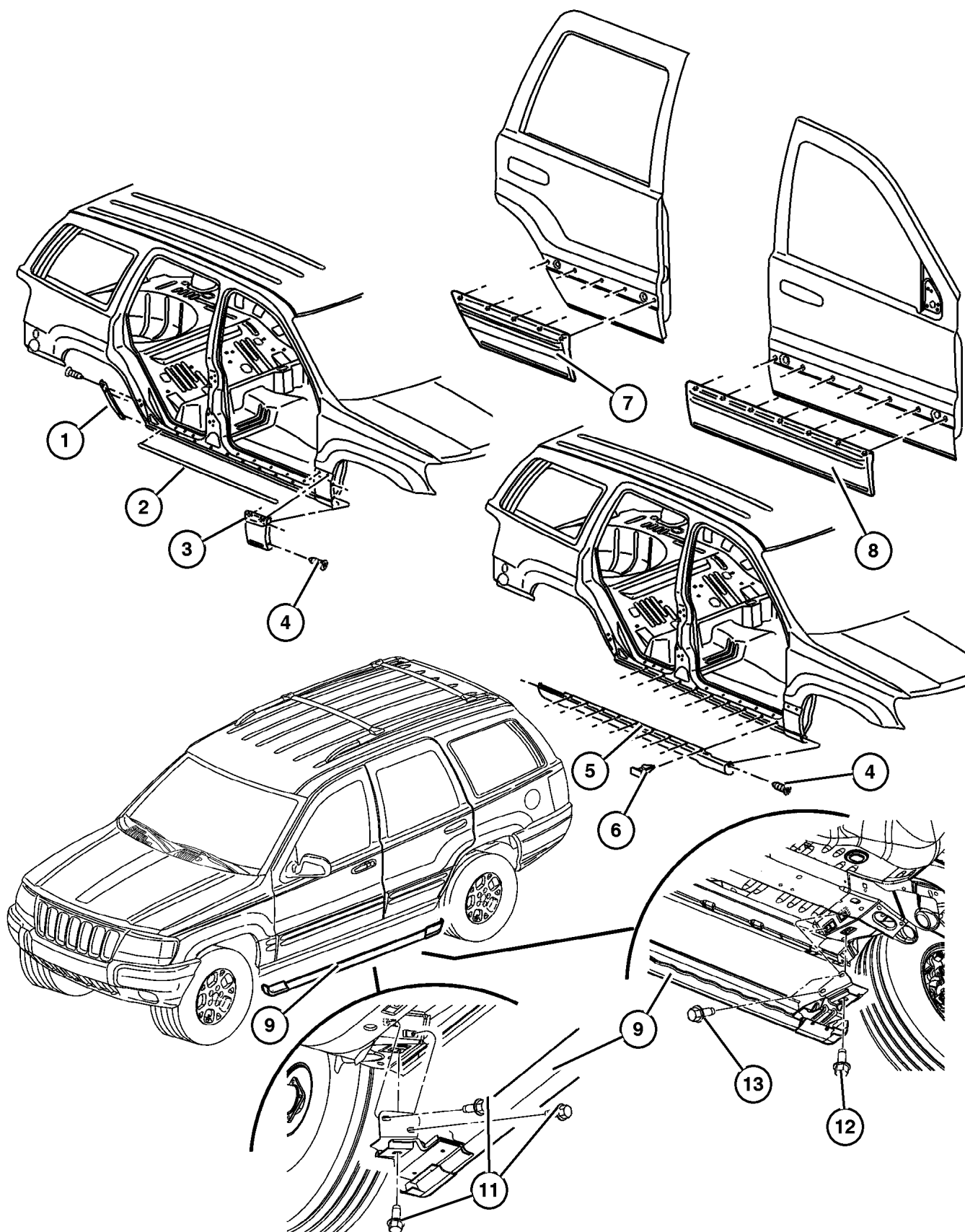
JEEP GRAND CHEROKEE (WJ)

SERIES	LINE	BODY	ENGINE	TRANSMISSION
H = Laredo	J = 4WD	74 = 4 Door	ERH = 4.0L, Power Tech I-6	DGK = 4 Speed Auto, 42RE
M = Sport	T = 2WD		EVA = 4.7L Power Tech V8	DGQ = 5 Speed Auto, 45RFE
P = Limited			EVC = 4.7L HO V8 MPI	DG0 = All Automatic Trans
S = Overland			ER0 = All 4.0L 6 Cyl Gas	
			EVO = All 4.7L Gas	

AR = Use as required - = Non illustrated part # = New this model year

December 1, 2003

Cladding and Sill Moldings Figure EWJ-220



ITEM	PART NUMBER	QTY	LINE	SERIES	BODY	ENGINE	TRANS	TRIM	DESCRIPTION
Note; Sales Codes									
[ADX] = Special Appearance Package									
1									CLADDING, Quarter Panel
	5EY8 8AXR	1		P					[K4B], Right
	5EY8 8ZMQ	1		P					[K4Z], Right
	5EY8 9AXR	1		P					[K4B], Left
	5EY8 9BB8	1		P					[K4M], Left
	5EY8 9SW1	1		P					[K4N], Left
	5EY8 9WEL	1		P					[K4W], Left
	5EY8 9WSB	1		P					[K4L], Left
	5EY8 9XBQ	1		P					[K4Q], Left
	5EY8 9YFF	1		P					[K4F], Left
	5EY8 9YJR	1		P					[K4J], Left
	5EY8 9ZDR	1		P					[K4D], Left
	5EY8 8BB8	1		P					[K4M], Right
	5EY8 9ZMQ	1		P					[K4Z], Left
	5EY78 WLPAB	1		H					[K4H], Right
	5EY78 ZSPAB	1		H					[K4S], Right
	5EY78 RXFAB	1		H					[K4X], Right
	5EY79 WLPAB	1		H					[K4H], Left
	5EY79 ZSPAB	1		H					[K4S], Left
	5EY79 RXFAB	1		H					[K4X], Left
	5EY78 WLPAB	1		M					[K4H], Right
	5EY78 ZSPAB	1		M					[K4S], Right
	5EY79 WLPAB	1		M					[K4H], Left
	5EY8 8SW1	1		P					[K4N], Right
	5EY79 ZSPAB	1		M					[K4S], Left
	5HB04 AXRAB	1	J	S					[K4B], Right
	5HB04 BB8AB	1	J	S					[K4M], Right
	5HB04 WELAB	1	J	S					[K4W], Right
	5HB04 WSBAB	1	J	S					[K4L], Right
	5HB04 YJRAB	1	J	S					[K4J], Right
	5HB04 ZDRAB	1	J	S					[K4D], Right
	5HB05 AXRAB	1	J	S					[K4B], Left
	5HB05 BB8AB	1	J	S					[K4M], Left
	5HB05 WELAB	1	J	S					[K4W], Left
	5EY8 8WEL	1		P					[K4W], Right
	5HB05 WSBAB	1	J	S					[K4L], Left
	5HB05 YJRAB	1	J	S					[K4J], Left
	5HB05 ZDRAB	1	J	S					[K4D], Left
	5EY8 8AXR	1		H					[K4B][ALZ,ADZ,AYG], Right

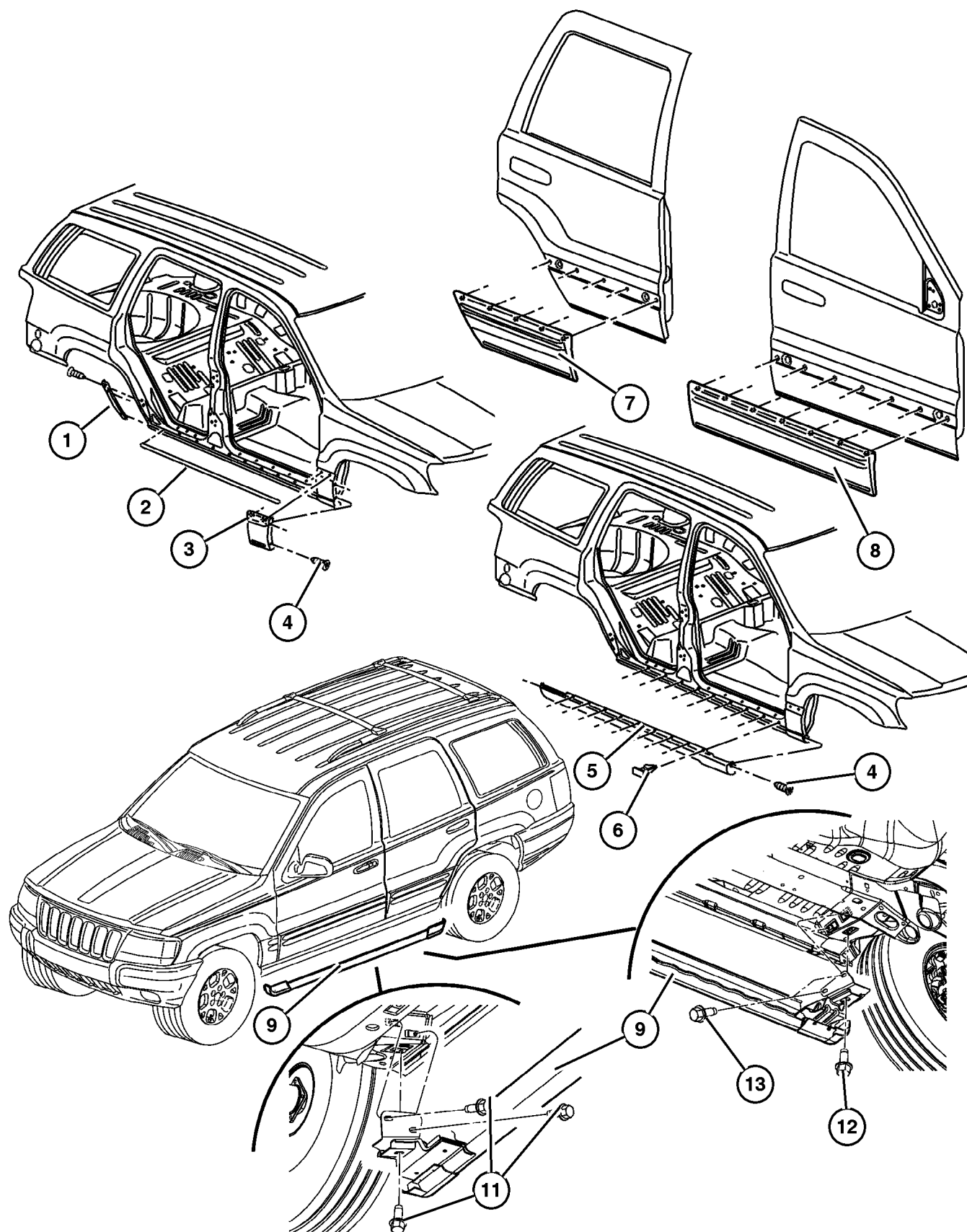
JEEP GRAND CHEROKEE (WJ)

SERIES	LINE	BODY	ENGINE	TRANSMISSION
H = Laredo	J = 4WD	74 = 4 Door	ERH = 4.0L, Power Tech I-6	DGK = 4 Speed Auto, 42RE
M = Sport	T = 2WD		EVA = 4.7L Power Tech V8	DGQ = 5 Speed Auto, 45RFE
P = Limited			EVC = 4.7L HO V8 MPI	DG0 = All Automatic Trans
S = Overland			ER0 = All 4.0L 6 Cyl Gas	
			EVO = All 4.7L Gas	

AR = Use as required - = Non illustrated part # = New this model year

December 1, 2003

Cladding and Sill Moldings
Figure EWJ-220



ITEM	PART NUMBER	QTY	LINE	SERIES	BODY	ENGINE	TRANS	TRIM	DESCRIPTION
	5EY8 8BB8	1		H					[K4M][ALZ,ADZ,AYG], Right
	5EY8 8SW1	1		H					[K4N][ALZ,ADZ,AYG], Right
	5EY8 8WEL	1		H					[K4W][ALZ,ADZ,AYG], Right
	5EY8 8WSB	1		H					[K4L][ALZ,ADZ,AYG], Right
	5EY8 8XBQ	1		H					[K4Q][ALZ,ADZ,AYG], Right
	5EY8 8YFF	1		H					[K4F][ALZ,ADZ,AYG], Right
	5EY8 8WSB	1		P					[K4L], Right
	5EY8 8YJR	1		H					[K4J][ALZ,ADZ,AYG], Right
	5EY8 8ZDR	1		H					[K4D][ALZ,ADZ,AYG], Right
	5EY8 8ZMQ	1		H					[K4Z][ALZ,ADZ,AYG], Right
	5EY8 9AXR	1		H					[K4B][ALZ,ADZ,AYG], Left
	5EY8 9BB8	1		H					[K4M][ALZ,ADZ,AYG], Left
	5EY8 9SW1	1		H					[K4N][ALZ,ADZ,AYG], Left
	5EY8 9WEL	1		H					[K4W][ALZ,ADZ,AYG], Left
	5EY8 9WSB	1		H					[K4L][ALZ,ADZ,AYG], Left
	5EY8 9XBQ	1		H					[K4Q][ALZ,ADZ,AYG], Left
	5EY8 9YFF	1		H					[K4F][ALZ,ADZ,AYG], Left
	5EY8 8XBQ	1		P					[K4Q], Right
	5EY8 9YJR	1		H					[K4J][ALZ,ADZ,AYG], Left
	5EY8 9ZDR	1		H					[K4D][ALZ,ADZ,AYG], Left
	5EY8 9ZMQ	1		H					[K4Z][ALZ,ADZ,AYG], Left
	5EY8 8YFF	1		P					[K4F], Right
	5EY8 8YJR	1		P					[K4J], Right
	5EY8 8ZDR	1		P					[K4D], Right
2									MOLDING, Sill Cover
	5EY64 WLPAC	1		H					[K5H], Right
	5EY65 ZSPAC	1		M					[K5S], Left
	5EY64 ZSPAC	1		H					[K5S], Right
	5EY64 RXFAC	1		H					[K5X], Right
	5EY65 WLPAC	1		H					[K5H], Left
	5EY65 ZSPAC	1		H					[K5S], Left
	5EY65 RXFAC	1		H					[K5X], Left
	5EY64 WLPAC	1		M					[K5H], Right
	5EY64 ZSPAC	1		M					[K5S], Right
	5EY65 WLPAC	1		M					[K5H], Left
3									CLADDING, Fender
	5015 766AB	1		P					[Service Dealer Paint], Right
	5FR17 RXFAC	1		H					[K4X], Left
	5FR16 WLPAC	1		M					[K4H], Right
	5FR16 ZSPAC	1		M					[K4S], Right
	5FR17 WLPAC	1		M					[K4H], Left

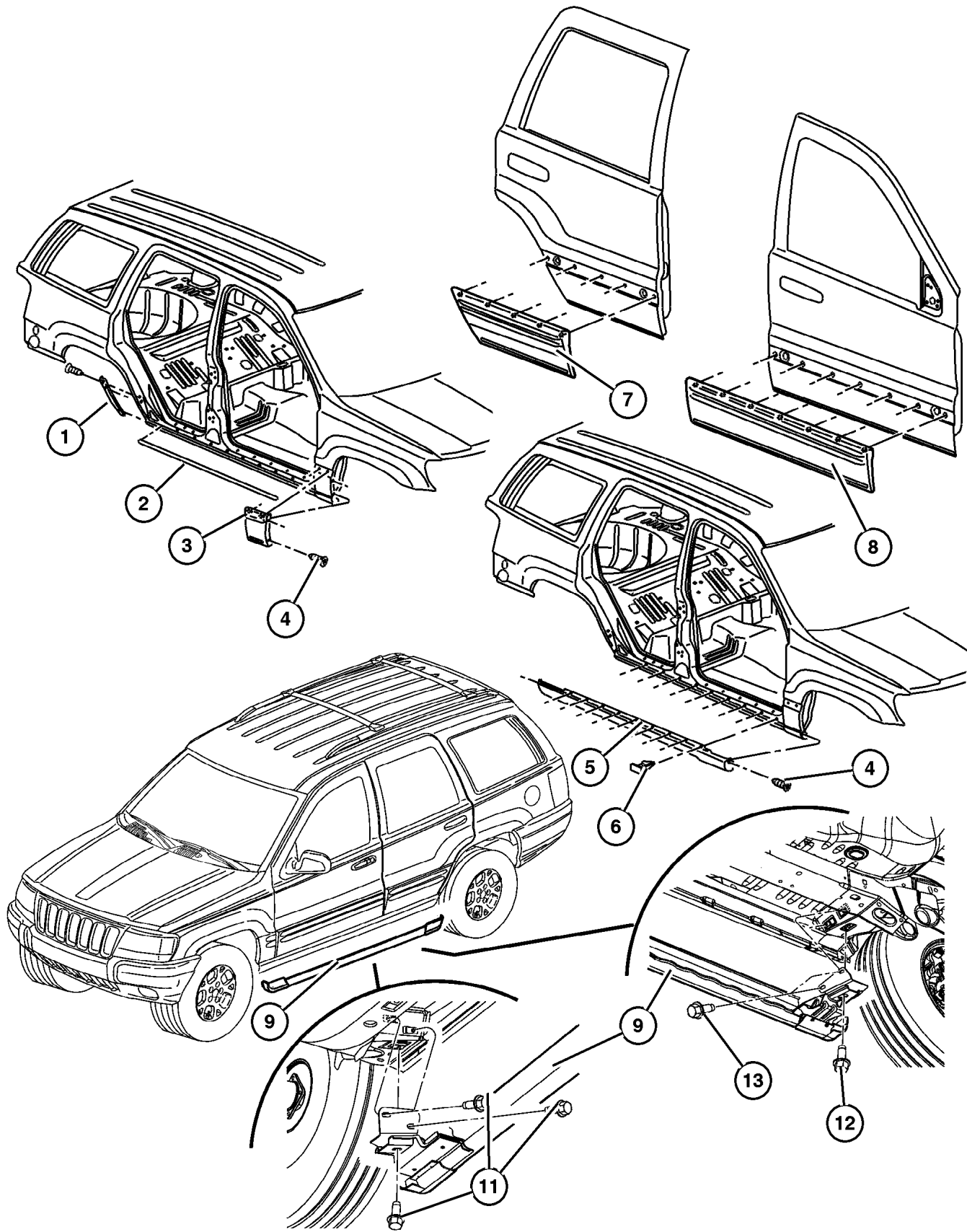
JEEP GRAND CHEROKEE (WJ)

SERIES	LINE	BODY	ENGINE	TRANSMISSION
H = Laredo	J = 4WD	74 = 4 Door	ERH = 4.0L, Power Tech I-6	DGK = 4 Speed Auto, 42RE
M = Sport	T = 2WD		EVA = 4.7L Power Tech V8	DGQ = 5 Speed Auto, 45RFE
P = Limited			EVC = 4.7L HO V8 MPI	DG0 = All Automatic Trans
S = Overland			ER0 = All 4.0L 6 Cyl Gas	
			EVO = All 4.7L Gas	

AR = Use as required - = Non illustrated part # = New this model year

December 1, 2003

Cladding and Sill Moldings Figure EWJ-220



ITEM	PART NUMBER	QTY	LINE	SERIES	BODY	ENGINE	TRANS	TRIM	DESCRIPTION
	5FR17 ZSPAC	1		M					[K4S], Left
	#5HA94 TZZAB	1	J	S					[Service Dealer Paint], Right
	#5HA95 TZZAB	1	J	S					[Service Dealer Paint], Left
	5015 767AB	1		P					[Service Dealer Paint], Left
	5015 766AB	1		H					[ALZ,ADZ,AYG][Service Dealer Paint], Right
	5015 767AB	1		H					[ALZ,ADZ,AYG][Service Dealer Paint], Left
	5FR16 WLPAC	1		H					[K4H], Right
	5FR16 ZSPAC	1		H					[K4S], Right
	5FR16 RXFAC	1		H					[K4X], Right
	5FR17 WLPAC	1		H					[K4H], Left
	5FR17 ZSPAC	1		H					[K4S], Left
4	6035 217	4							SCREW, Round Head, .164-18.5
5									MOLDING, Sill Cover
	5EY64 WLPAC	1		H					[K5H], Right
	5EY65 ZSPAC	1		M					[K5S], Left
	5EY64 ZSPAC	1		H					[K5S], Right
	5EY64 RXFAC	1		H					[K5X], Right
	5EY65 WLPAC	1		H					[K5H], Left
	5EY65 ZSPAC	1		H					[K5S], Left
	5EY65 RXFAC	1		H					[K5X], Left
	5EY64 WLPAC	1		M					[K5H], Right
	5EY64 ZSPAC	1		M					[K5S], Right
	5EY65 WLPAC	1		M					[K5H], Left
6									RETAINER
	5FR56 XXXAB	18		H					
		18		M					
7									CLADDING, Rear Door
	5015 772AB	1		P					[Service Dealer Paint], Right
	5EY75 RXFAF	1		H					[K4X], Left
	5EY74 WLPAC	1		M					[K4H], Right
	5EY74 ZSPAC	1		M					[K4S], Right
	5EY75 WLPAC	1		M					[K4H], Left
	5EY75 ZSPAC	1		M					[K4S], Left
	#5HB30 TZZAB	1	J	S					[Service Dealer Paint], Right
	#5HB31 TZZAB	1	J	S					[Service Dealer Paint], Left
	5015 773AB	1		P					[Service Dealer Paint], Left
	5015 772AB	1		H					[ALZ,ADZ,AYG][Service Dealer Paint], Left
	5015 773AB	1		H					[ALZ,ADZ,AYG][Service Dealer Paint], Right

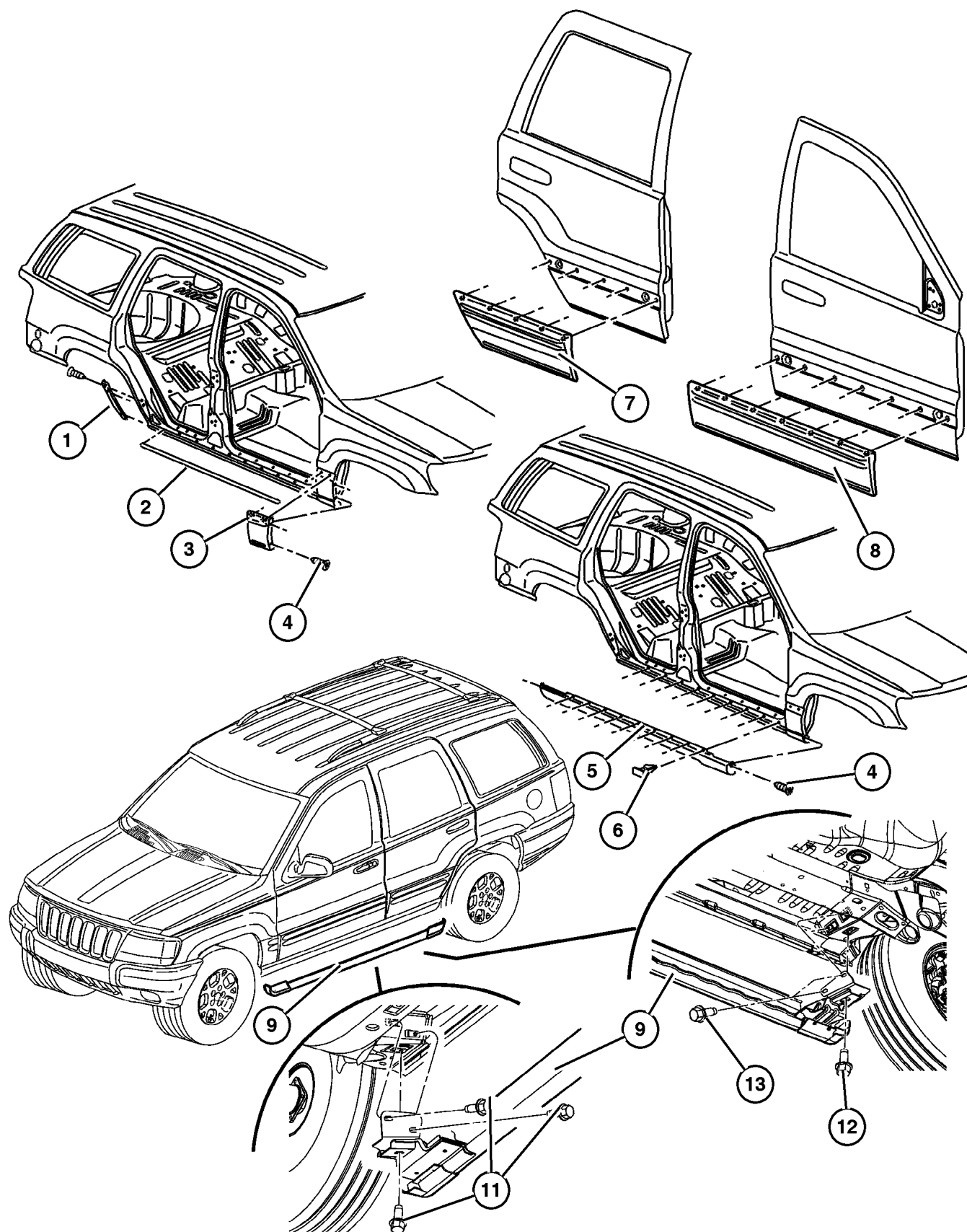
JEEP GRAND CHEROKEE (WJ)

SERIES	LINE	BODY	ENGINE	TRANSMISSION
H = Laredo	J = 4WD	74 = 4 Door	ERH = 4.0L, Power Tech I-6	DGK = 4 Speed Auto, 42RE
M = Sport	T = 2WD		EVA = 4.7L Power Tech V8	DGQ = 5 Speed Auto, 45RFE
P = Limited			EVC = 4.7L HO V8 MPI	DG0 = All Automatic Trans
S = Overland			ER0 = All 4.0L 6 Cyl Gas	
			EVO = All 4.7L Gas	

AR = Use as required - = Non illustrated part # = New this model year

December 1, 2003

Cladding and Sill Moldings Figure EWJ-220



ITEM	PART NUMBER	QTY	LINE	SERIES	BODY	ENGINE	TRANS	TRIM	DESCRIPTION
	5EY74 WLPAF	1		H					[K4H], Right
	5EY74 ZSPAF	1		H					[K4S], Right
	5EY74 RXFAF	1		H					[K4X], Right
	5EY75 WLPAF	1		H					[K4H], Left
	5EY75 ZSPAF	1		H					[K4S], Left
8									CLADDING, Front Door
	5015 770AB	1		P					[Service Dealer Paint], Right
	5FR21 RXFAF	1		H					[K4X], Left
	5FR20 WLPAF	1		M					[K4H], Right
	5FR20 ZSPAF	1		M					[K4S], Right
	5FR21 WLPAF	1		M					[K4H], Left
	5FR21 ZSPAF	1		M					[K4S], Left
	#5HB28 TZZAB	1	J	S					[Service Dealer Paint], Right
	#5HB29 TZZAB	1	J	S					[Service Dealer Paint], Left
	5015 771AB	1		P					[Service Dealer Paint], Left
	5015 770AB	1		H					[ALZ,ADZ,AYG][Service Dealer Paint], Right
	5015 771AB	1		H					[ALZ,ADZ,AYG][Service Dealer Paint], Left
	5FR20 WLPAF	1		H					[K4H], Right
	5FR20 ZSPAF	1		H					[K4S], Right
	5FR20 RXFAF	1		H					[K4X], Right
	5FR21 WLPAF	1		H					[K4H], Left
	5FR21 ZSPAF	1		H					[K4S], Left
9									RAIL, Rocker Panel
	5HU38 VF7AG	1							[K9K], Right
	5HU39 VF7AG	1							[K9K], Left
	#YY32 WS2AC	1							[K1S], Right
	#YY33 WS2AC	1							[K1S], Left
-10									CAP
	5HU42 VF7AC	1							[K9K], Front Right
	5HU43 VF7AC	1							[K9K], Front Left
	5HU44 VF7AC	1							[K9K], Rear Right
	5HU45 VF7AC	1							[K9K], Rear Left
11	6507 331AA	12							SCREW
12	6507 332AA	2							SCREW
13	6507 333AA	2							SCREW
-14	55156 736AA	2		P, S					TAPE, Anti Chip

JEEP GRAND CHEROKEE (WJ)

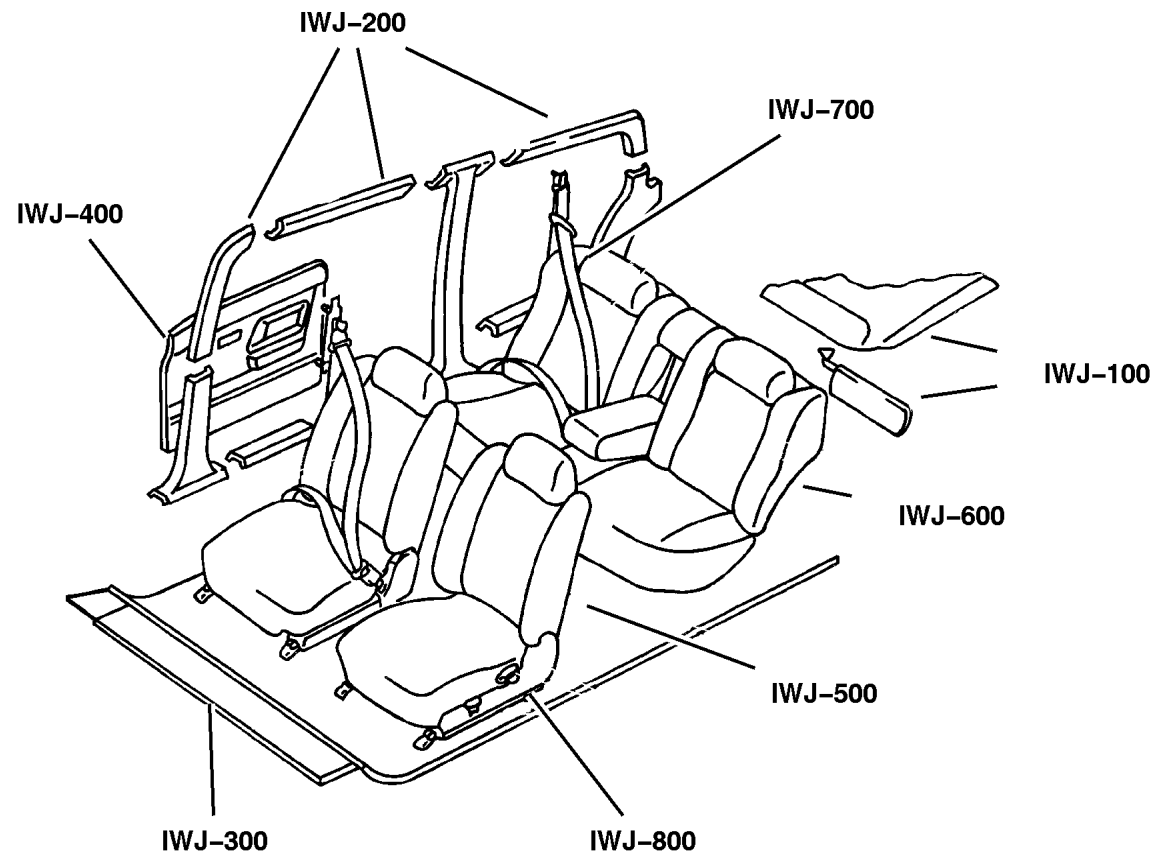
SERIES	LINE	BODY	ENGINE	TRANSMISSION
H = Laredo	J = 4WD	74 = 4 Door	ERH = 4.0L, Power Tech I-6	DGK = 4 Speed Auto, 42RE
M = Sport	T = 2WD		EVA = 4.7L Power Tech V8	DGQ = 5 Speed Auto, 45RFE
P = Limited			EVC = 4.7L HO V8 MPI	DG0 = All Automatic Trans
S = Overland			ER0 = All 4.0L 6 Cyl Gas	
			EVO = All 4.7L Gas	

AR = Use as required - = Non illustrated part # = New this model year

December 1, 2003

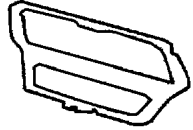
Group – IWJ

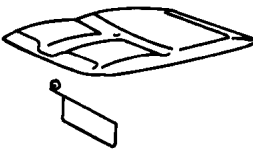
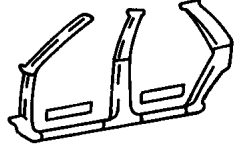
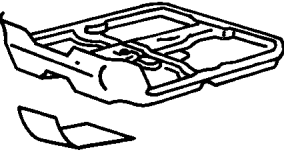
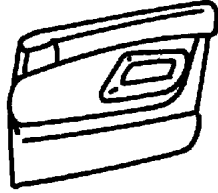

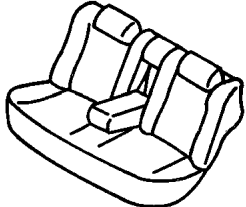
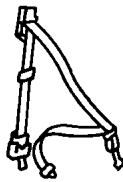
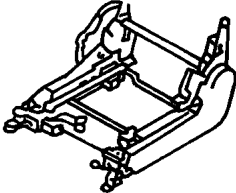
Interior Trim



Group – IWJ

Interior Trim

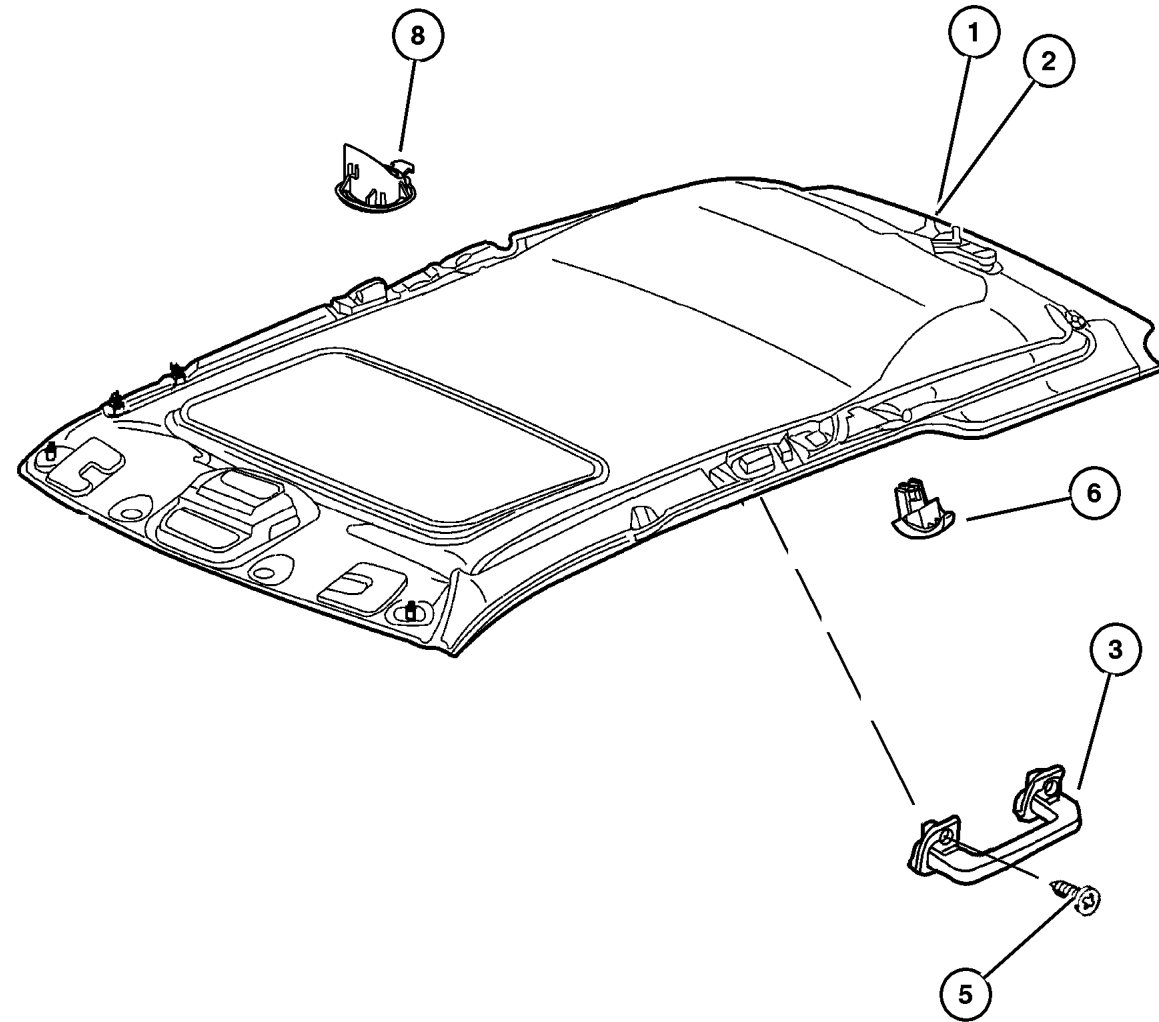
<p>IWJ-1000 Lift Gate Trim</p> 			
---	--	--	--

<p>IWJ-100 Headliner and Visor</p> 	<p>IWJ-200 Panel – Mouldings, Scuff Plates</p> 	<p>IWJ-300 Carpet</p> 	<p>IWJ-400 Door Trim Panels</p> 
<p>IWJ-500 Front Seats and Attaching Parts</p> 	<p>IWJ-600 Rear Seats and Attaching Parts</p> 	<p>IWJ-700 Seat Belts – Front and Rear</p> 	<p>IWJ-800 Adjusters, Covers, Shields and Risers</p> 

GROUP IWJ - Interior Trim

Illustration Title	Group-Fig. No.
Headliner and Visor	
Headliner and Assist Handle	Fig. IWJ-110
Sunvisor	Fig. IWJ-120
Panel - Mouldings, Scuff Plates	
Front Trim Panels and Scuff Plates	Fig. IWJ-210
Rear Trim Panels	Fig. IWJ-220
Side Air Bag Curtain	Fig. IWJ-230
Carpet	
Carpet and Insulation	Fig. IWJ-310
Door Trim Panels	
Door Trim Panels	Fig. IWJ-410
Front Seats and Attaching Parts	
Front Seat, Cloth, Trim Code [E7]	Fig. IWJ-510
Front Seat, Leather, Trim Code [JL]	Fig. IWJ-520
Front Seat, Leather, Trim Code [XL]	Fig. IWJ-530
Front Seat, Leather, Trim Code [TL]	Fig. IWJ-540
Front Seat, Cloth, Trim Code [S5]	Fig. IWJ-550
Front Seat, Cloth, Trim Code [T5]	Fig. IWJ-560
Front Seat, Cloth, Trim Code [L7]	Fig. IWJ-570
Rear Seats and Attaching Parts	
Rear Seat, Trim Code [E7]	Fig. IWJ-610
Rear Seat, Trim Code [JL]	Fig. IWJ-620
Rear Seat, Trim Code [XL]	Fig. IWJ-630
Rear Seat, Trim Code [TL]	Fig. IWJ-640
Rear Seat, Trim Code [S5]	Fig. IWJ-650
Rear Seat, Trim Code [T5]	Fig. IWJ-660
Rear Seat, Trim Code [L7]	Fig. IWJ-670
Seat Belts - Front and Rear	
Front Seat	Fig. IWJ-710
Rear Seat Belt	Fig. IWJ-720
Adjusters, Covers, Shields and Risers	
Recliner and Adjusters	Fig. IWJ-810
Lift Gate Trim	
Liftgate Panel and Scuff Plate	Fig. IWJ-1010

Headliner and Assist Handle Figure IWJ-110



ITEM	PART NUMBER	QTY	LINE	SERIES	BODY	ENGINE	TRANS	TRIM	DESCRIPTION
Sales Codes :									
[CGS] = With Side Airbags									
[GWA] = Sunroof									
[JHC] = Windshield Wiper, Rain Sensitive									
1									HEADLINER, Without Sunroof
	5HG77 TL2AE	1							Without Side Airbags [CGS], Rain Sensitive Wipers [JHC]
	5HG86 TL2AE	1							With Side Airbags [CGS], Without Rain Sensitive Wipers [JHC]
	5HG87 TL2AE	1							With Side Airbags [CGS], Rain Sensitive Wipers [JHC]
	5HG90 TL2AE	1							With Rain Sensitive Wipers [JHC], Without Side Airbags [CGS]
2									HEADLINER, With Sunroof, [GWA]
	5HG93 TL2AE	1							Without Side Airbags [CGS], Rain Sensitive Wipers [JHC]
	5HG94 TL2AE	1							With Side Airbags [CGS], Without Rain Sensitive Wipers [JHC]
	5HG95 TL2AE	1							[DV, L5, T5], With Side Airbags [CGS], Rain Sensitive Wipers [JHC]
	5HG95 XDBAE	1							[DB], With Side Airbags [CGS], Rain Sensitive Wipers [JHC]
	5HG99 TL2AE	1							With Rain Sensitive Wipers [JHC], Without Side Airbags [CGS]
3									HANDLE, Roof Grab
	5FS60 TL2AB	1							[DV, L5, T5], Right
	5FS60 XDBAB	1							[DB], Right
	5FS61 TL2AB	1							[DV, L5, T5], Left
	5FS61 XDBAB	1							[DB], Left
-4	4746 232	2							CLIP, Z-Axis, Visor & Grab Handle Attach
5	6035 324	2							SCREW, .164-18x.75
6									HOOK, Coat
	5FS52 TL2AB	2							[DV, L5, T5]
	5FS52 XDBAB	2							[DB]
-7	5028 203AA	1							CLIP, Roof Rail, Headliner Mounting, 'Z' Clip for Coat Hook Retension
8									BEZEL, tether anchor, Rear Sides
	5GX26 1DBAB	1							[DB], Right
	5GX26 1L2AB	1							[DV, L5, T5], Right
	5GX27 1DBAB	1							[DB], Left

JEEP GRAND CHEROKEE (WJ)

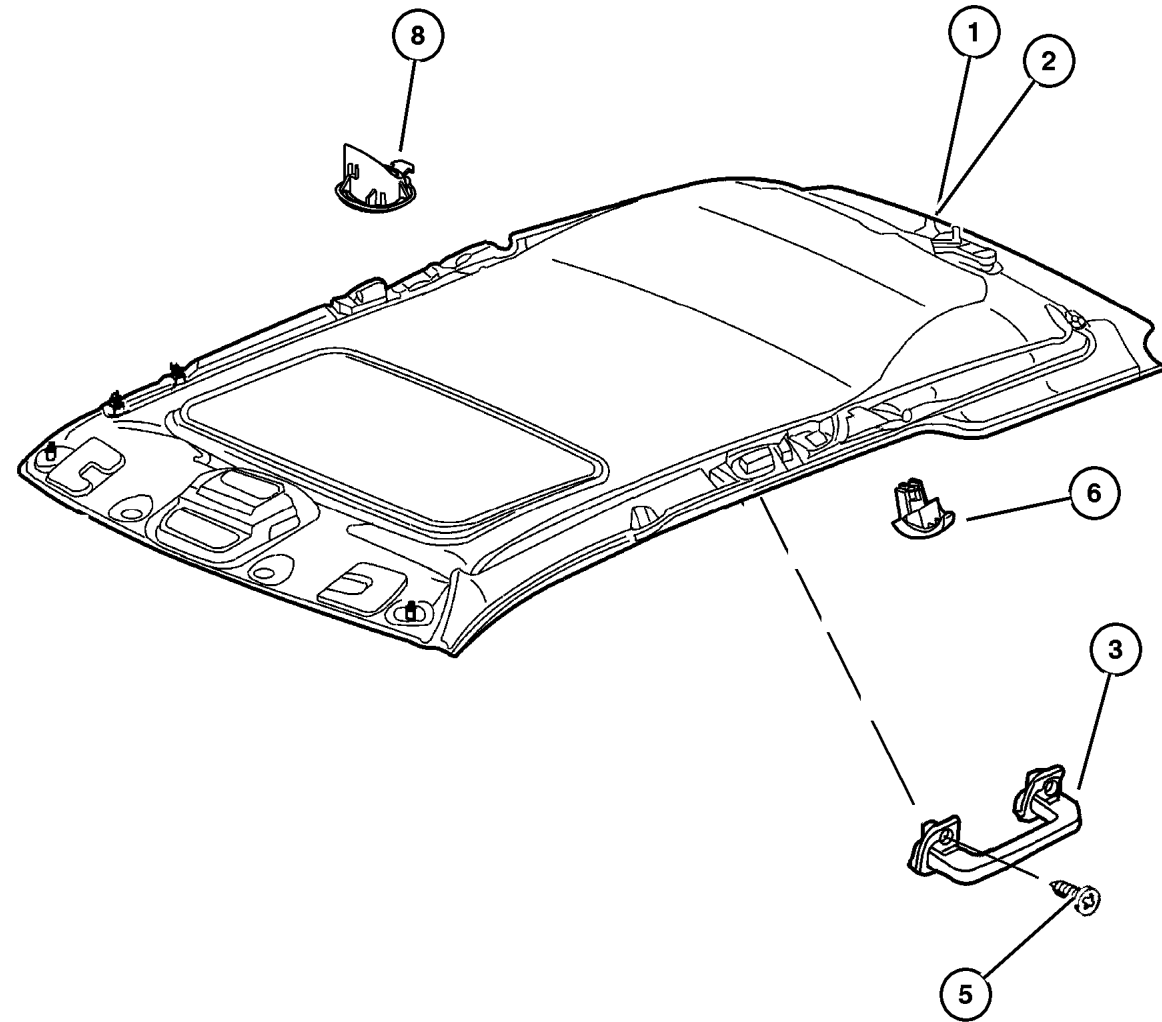
SERIES	LINE	BODY	ENGINE	TRANSMISSION
H = Laredo	J = 4WD	74 = 4 Door	ERH = 4.0L, Power Tech I-6	DGK = 4 Speed Auto, 42RE
M = Sport	T = 2WD		EVA = 4.7L Power Tech V8	DGQ = 5 Speed Auto, 45RFE
P = Limited			EVC = 4.7L HO V8 MPI	DG0 = All Automatic Trans
S = Overland			ER0 = All 4.0L 6 Cyl Gas	
			EVO = All 4.7L Gas	

AR = Use as required - = Non illustrated part # = New this model year

December 1, 2003

Headliner and Assist Handle Figure IWJ-110

ITEM	PART NUMBER	QTY	LINE	SERIES	BODY	ENGINE	TRANS	TRIM	DESCRIPTION
	5GX27 1L2AB	1							[DV, L5, T5], Left



JEEP GRAND CHEROKEE (WJ)

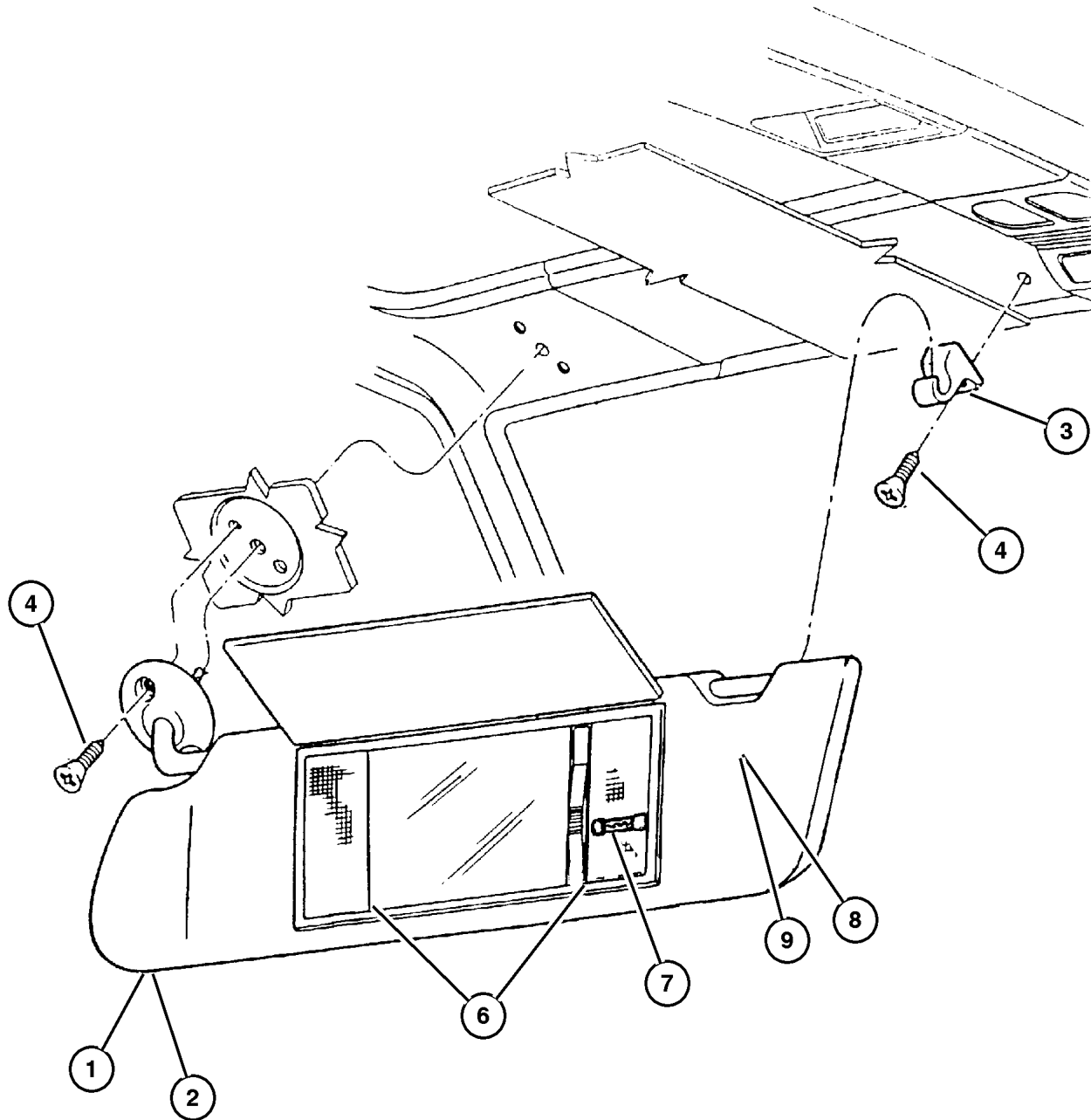
SERIES	LINE	BODY	ENGINE	TRANSMISSION
H = Laredo	J = 4WD	74 = 4 Door	ERH = 4.0L, Power Tech I-6	DGK = 4 Speed Auto, 42RE
M = Sport	T = 2WD		EVA = 4.7L Power Tech V8	DGQ = 5 Speed Auto, 45RFE
P = Limited			EVC = 4.7L HO V8 MPI	DG0 = All Automatic Trans
S = Overland			ER0 = All 4.0L 6 Cyl Gas	
			EVO = All 4.7l Gas	

AR = Use as required - = Non illustrated part # = New this model year

December 1, 2003

**Sunvisor
Figure IWJ-120**

ITEM	PART NUMBER	QTY	LINE	SERIES	BODY	ENGINE	TRANS	TRIM	DESCRIPTION
1									VISOR, Illuminated
	5HG78 TL2AC	1							[DV, L5, T5], Up to 8/7/03, Right
	5HG78 XDBAC	1							[DB], Up to 8/7/03, Right
	5HG79 TL2AC	1							[DV, L5, T5], Up to 8/7/03, Left
	5HG79 XDBAC	1							[DB], Up to 8/7/03, Left
	#5HG78 TL2AD	1							[DV, L5, T5], After 8/7/03, Right
	5HG78 XDBAC	1							[DB], After 8/7/03, Right
	#5HG79 TL2AD	1							[DV, L5, T5], After 8/7/03, Left
	5HG79 XDBAC	1							[DB], After 8/7/03, Left
2									VISOR, W/Mirror
	5HG82 TL2AC	1							Up to 8/7/03, Right
	5HG83 TL2AC	1							Up to 8/7/03, Left
	#5HG82 TL2AD	1							After 8/7/03, Right
	#5HG83 TL2AD	1							After 8/7/03, Left
3									SUPPORT, Visor
	5FS40 TL2AB	2							[DV, L5, T5]
	5FS40 XDBAB	2							[DB]
4	6035 324	2							SCREW, .164-18x.75
-5	4746 232	2							CLIP, Z-Axis, Visor & Grab Handle Attach
6	4778 794	1							LENS, Illuminated Visor
7	6501 966	1							BULB, Sunvisor
8	4787 437AA	2							LABEL, Air Bag Warning
9	55352 825AA	1							LABEL, Visor Warning, CANADA ONLY, High Rollover Risk



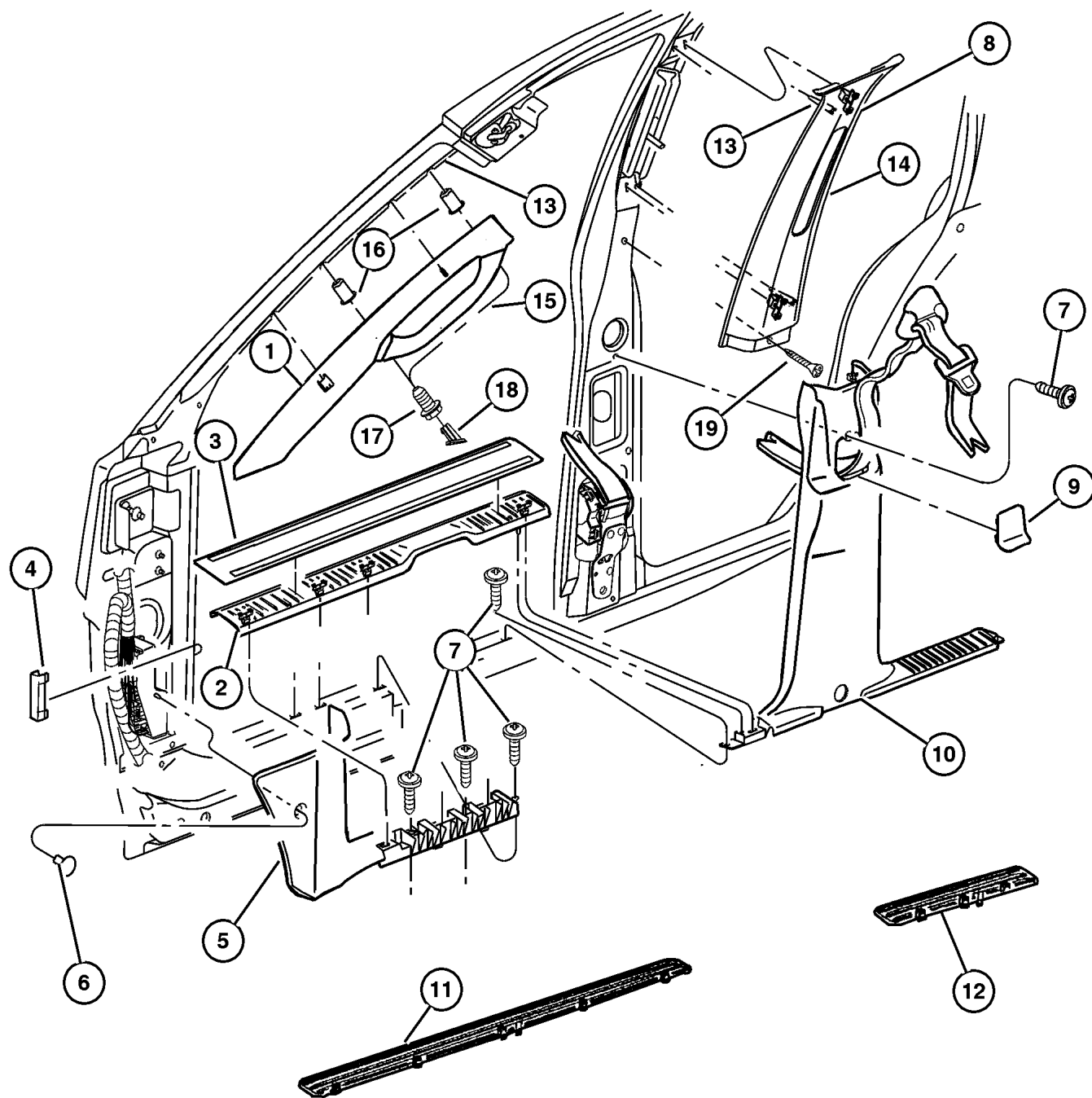
JEEP GRAND CHEROKEE (WJ)

SERIES	LINE	BODY	ENGINE	TRANSMISSION
H = Laredo	J = 4WD	74 = 4 Door	ERH = 4.0L, Power Tech I-6	DGK = 4 Speed Auto, 42RE
M = Sport	T = 2WD		EVA = 4.7L Power Tech V8	DGQ = 5 Speed Auto, 45RFE
P = Limited			EVC = 4.7L HO V8 MPI	DG0 = All Automatic Trans
S = Overland			ER0 = All 4.0L 6 Cyl Gas	
			EVO = All 4.7l Gas	

AR = Use as required - = Non illustrated part # = New this model year

December 1, 2003

Front Trim Panels and Scuff Plates
Figure IWJ-210



ITEM	PART NUMBER	QTY	LINE	SERIES	BODY	ENGINE	TRANS	TRIM	DESCRIPTION
1									MOLDING, A-PILLAR
	5HF62 TL2AD	1							[DV, L5], Right
	5HF62 XDBAD	1							[DB], Right
	5HF62 XT5AD	1							[T5], Right
	5HF63 TL2AD	1							[DV, L5], Left
	5HF63 XDBAD	1							[DB], Left
	5HF63 XT5AD	1							[T5], Left
2									SILL COVER, Interior
	5FX10 WL5AC	1							[L5], Right
	5FX10 XDVAC	1							[DB, DV], Right
	5FX10 XT5AC	1							[T5], Right
	5FX11 WL5AC	1							[L5], Left
	5FX11 XDVAC	1							[DB, DV], Left
	5FX11 XT5AC	1							[T5], Left
3									PROTECTOR, Door Opening, (NOT SERVICED) (Not Serviced)
4	55196 878AC	2							CLIP, Trim Panel
5									PANEL, Cowl
	5FA60 WL5AE	1							[L5], Right
	5FA60 XDVAE	1							[DB, DV], Right
	5FA60 XT5AE	1							[T5], Right
	5HM22 WL5AB	1							[L5], Left
	5HM22 XDVAB	1							[DB, DV], Left
	5HM22 XT5AB	1							[T5], Left
6	6503 339	2							NUT, Plastic
7	6032 723	6							SCREW, Self Tapping, M4.2x1.69x19.05
8									PANEL, B Pillar
	5GY46 TL2AI	1							[DV, L5], Right
	5GY46 XDBAI	1							[DB], Right
	5GY46 XT5AI	1							[T5], Right
	5GY47 TL2AI	1							[DV, L5], Left
	5GY47 XDBAI	1							[DB], Left
	5GY47 XT5AI	1							[T5], Left
9									COVER, B Pillar Trim Panel
	5FP8 6WL5	2							[L5]
	5FP8 6XDV	2							[DB, DV]
	5FP8 6XT5	2							[T5]
10									PANEL, B Pillar Lower Trim
	5FW54 WL5AB	1							[L5], Right
	5FW54 XDVAB	1							[DB, DV], Right
	5FW54 XT5AB	1							[T5], Right

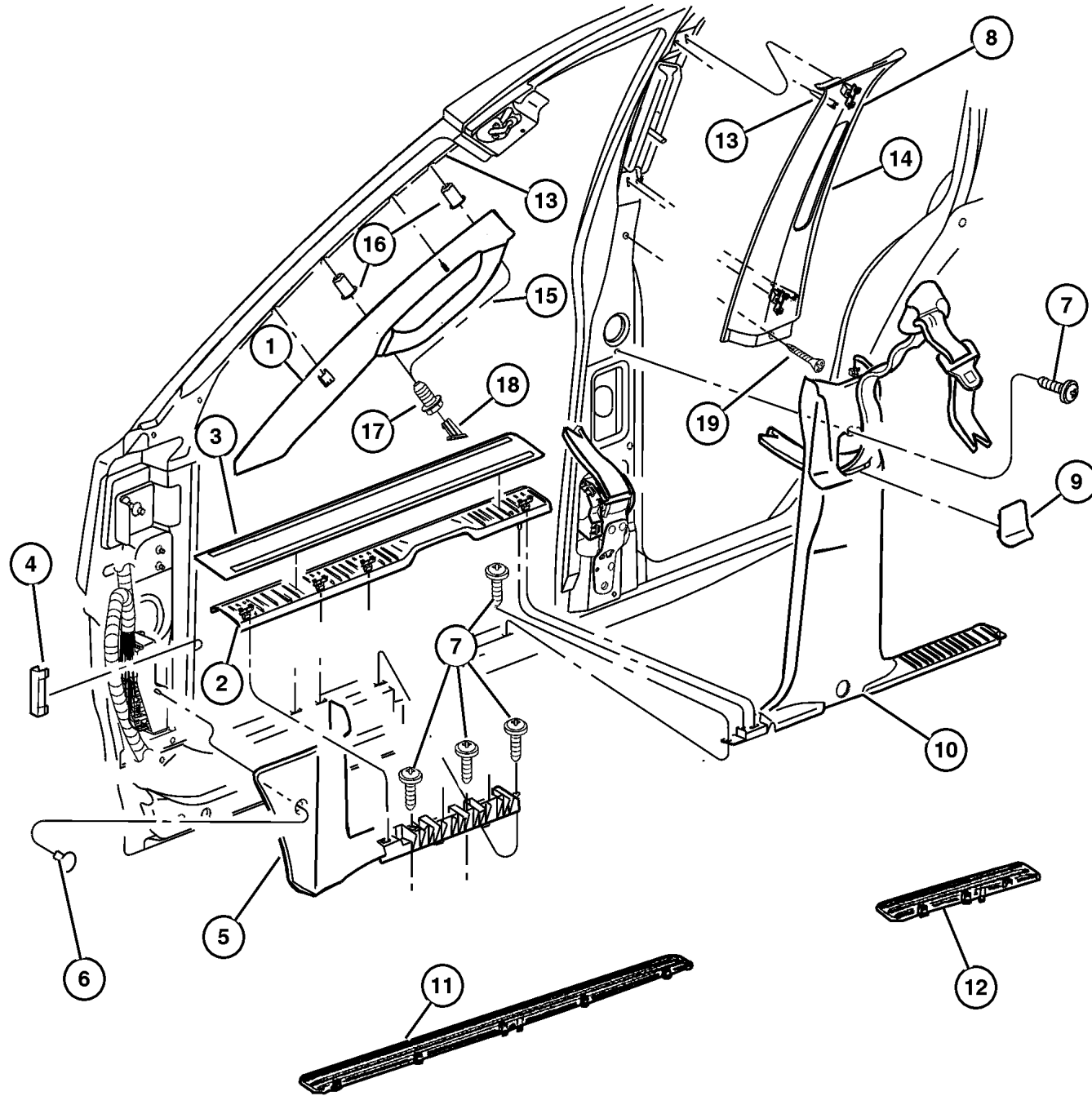
JEEP GRAND CHEROKEE (WJ)

SERIES	LINE	BODY	ENGINE	TRANSMISSION
H = Laredo	J = 4WD	74 = 4 Door	ERH = 4.0L, Power Tech I-6	DGK = 4 Speed Auto, 42RE
M = Sport	T = 2WD		EVA = 4.7L Power Tech V8	DGQ = 5 Speed Auto, 45RFE
P = Limited			EVC = 4.7L HO V8 MPI	DG0 = All Automatic Trans
S = Overland			ER0 = All 4.0L 6 Cyl Gas	
			EVO = All 4.7L Gas	

AR = Use as required - = Non illustrated part # = New this model year

December 1, 2003

**Front Trim Panels and Scuff Plates
Figure IWJ-210**



ITEM	PART NUMBER	QTY	LINE	SERIES	BODY	ENGINE	TRANS	TRIM	DESCRIPTION
	5FW55 WL5AB	1							[L5], Left
	5FW55 XDVAB	1							[DB, DV], Left
	5FW55 XT5AB	1							[T5], Left
11	5GH22 DX9AA	2							PLATE, Front Door Scuff
12	5GH23 DX9AA	2							PLATE, Rear Door Scuff
13	6507 014AA	1							CLIP, Trim Panel
14									ADJUSTER, Seat Belt Turning Loop, Slider, Also serviced in B Trim Panel, Item #8
	5HD92 TL2AD	1							[DV, L5]
	5HD92 XDBAD	1							[DB]
	5HD92 XT5AD	1							[T5]
15									HANDLE, Roof Grab
	5HD63 TL2AC	1							[DV, L5]
	5HD63 XDBAC	1							[DB]
	5HD63 XT5AC	1							[T5]
16	6505 201AA	4							NUT
17	6507 518AA	4							SCREW
18									PLUG, Assist and Grab Handle
	5HK67 TL2AB	4							[DV, L5]
	5HK67 XDBAB	4							[DB]
	5HK67 XT5AB	4							[T5]
19	6032 723	2							SCREW, Self Tapping, M4.2x1.69x19.05

JEEP GRAND CHEROKEE (WJ)

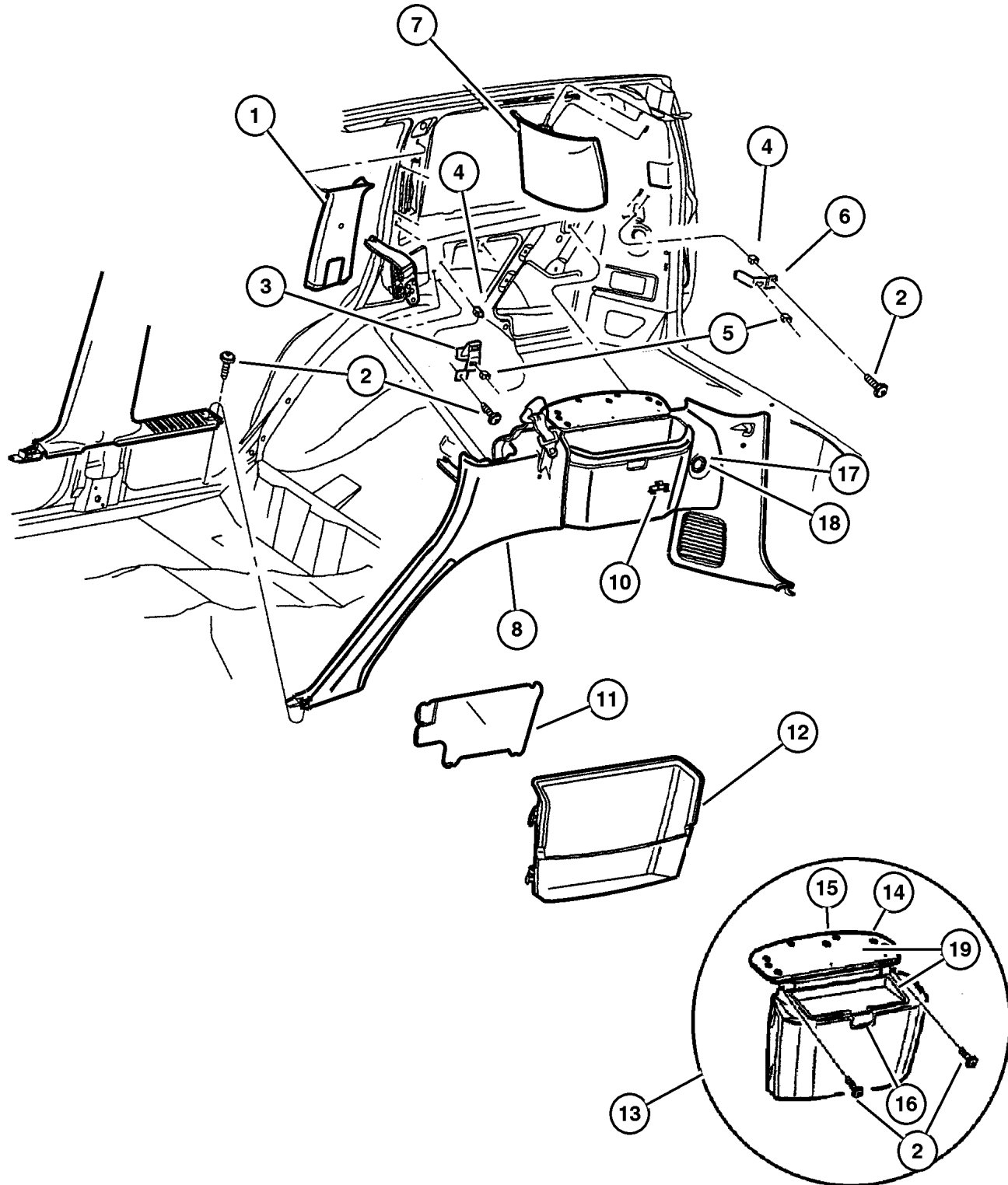
SERIES	LINE	BODY	ENGINE	TRANSMISSION
H = Laredo	J = 4WD	74 = 4 Door	ERH = 4.0L, Power Tech I-6	DGK = 4 Speed Auto, 42RE
M = Sport	T = 2WD		EVA = 4.7L Power Tech V8	DGQ = 5 Speed Auto, 45RFE
P = Limited			EVC = 4.7L HO V8 MPI	DG0 = All Automatic Trans
S = Overland			ER0 = All 4.0L 6 Cyl Gas	
			EVO = All 4.7L Gas	

AR = Use as required - = Non illustrated part # = New this model year

December 1, 2003

Rear Trim Panels
Figure IWJ-220

ITEM	PART NUMBER	QTY	LINE	SERIES	BODY	ENGINE	TRANS	TRIM	DESCRIPTION
1									PANEL, C Pillar
	5GY48 TL2AH	1							[DV, L5], Right
	5GY48 XDBAH	1							[DB], Right
	5GY48 XT5AH	1							[T5], Right
	5GY49 TL2AH	1							[DV, L5], Left
	5GY49 XDBAH	1							[DB], Left
	5GY49 XT5AH	1							[T5], Left
2	6032 723	6							SCREW, Self Tapping, M4.2x1.69x19.05
3	55196 742AB	2							BRACKET, Quarter Trim, Front
4	6035 498	2							NUT, Spring Type, .164-7.5
5	6035 773	2							NUT
6	55196 744AB	2							BRACKET, Quarter Trim, Rear
7									PANEL, D Pillar Trim
	5FA72 WL5AD	1							[L5], Right
	5FA72 XDVAD	1							[DB, DV], Right
	5FA72 XT5AD	1							[T5], Right
	#5FA73 WL5AD	1							[L5], Left
	#5FA73 XDVAD	1							[DB, DV], Left
	#5FA73 XT5AD	1							[T5], Left
8									PANEL, Quarter Trim
	5HD13 1DVAF	1							[DV, DB], Left
	5HD13 WL5AF	1							[L5], Left
	5HD13 XT5AF	1							[T5], Left
	5HD14 1DVAF	1							[DV, DB], Right
	5HD14 1L5AF	1							[L5], Right
	5HD14 1T5AF	1							[T5], Right
-9	6505 675AA	1							CLIP, Molding
10	55196 901AB	4							LOOP, Cargo Tie Down
11									COVER, Bolt
	5FY38 WL5AA	1							[L5]
	5FY38 XDVA	1							[DB, DV]
	5FY38 XT5AA	1							[T5]
12									BIN, Storage, Cover
	5FS1 4WL5	1							[L5]
	5FS1 4XDV	1							[DB, DV]
	5FS1 4XT5	1							[T5]
13									BIN, Storage, Quarter Panel
	5FW37 1DVAD	1							[DB, DV]
	5FW37 1L5AD	1							[L5]
	5FW37 1T5AD	1							[T5]
14	4754 478	4							BUMPER, Armrest Lid



JEEP GRAND CHEROKEE (WJ)

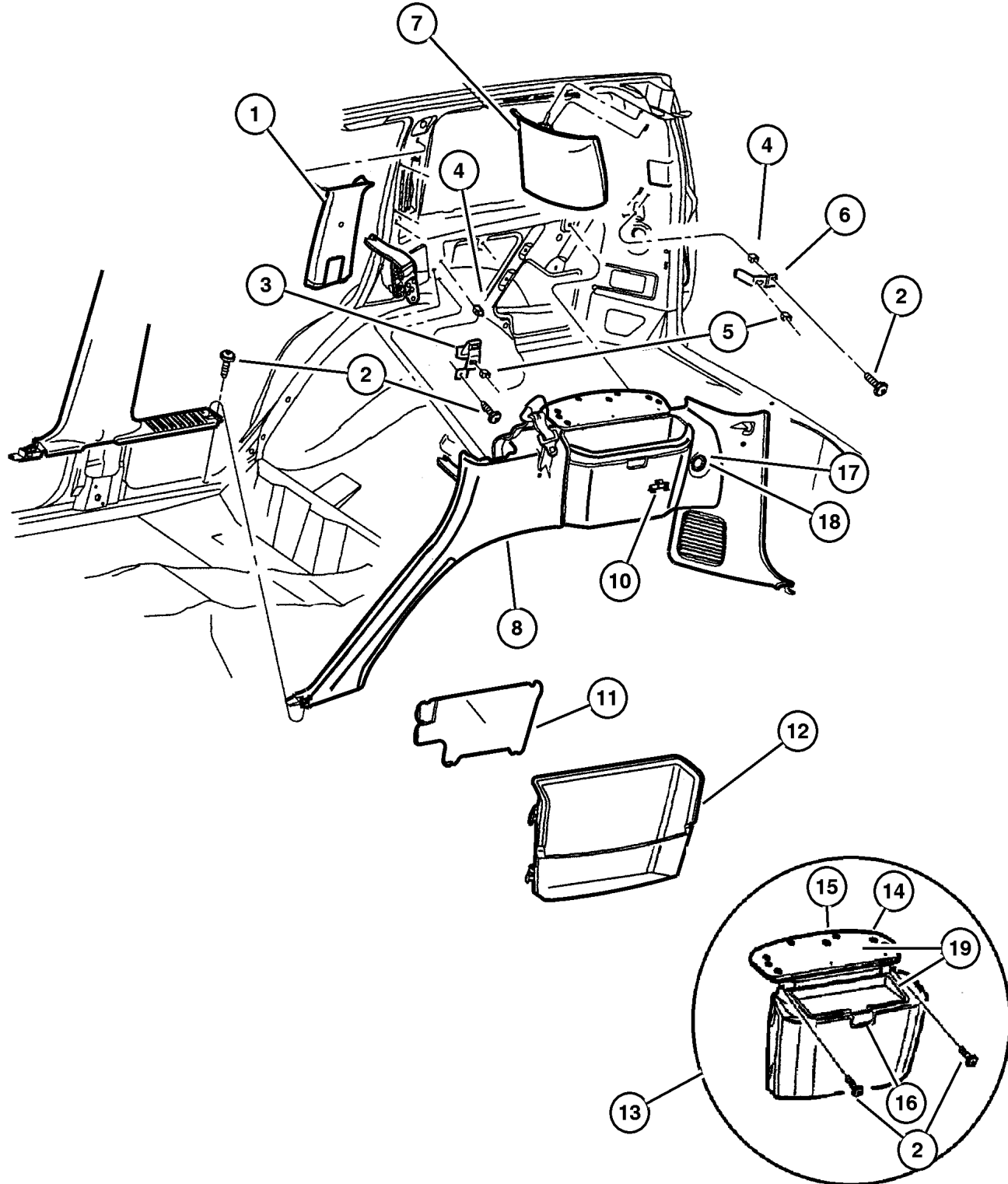
SERIES	LINE	BODY	ENGINE	TRANSMISSION
H = Laredo	J = 4WD	74 = 4 Door	ERH = 4.0L, Power Tech I-6	DGK = 4 Speed Auto, 42RE
M = Sport	T = 2WD		EVA = 4.7L Power Tech V8	DGQ = 5 Speed Auto, 45RFE
P = Limited			EVC = 4.7L HO V8 MPI	DG0 = All Automatic Trans
S = Overland			ER0 = All 4.0L 6 Cyl Gas	
			EVO = All 4.7L Gas	

AR = Use as required - = Non illustrated part # = New this model year

December 1, 2003

Rear Trim Panels
Figure IWJ-220

ITEM	PART NUMBER	QTY	LINE	SERIES	BODY	ENGINE	TRANS	TRIM	DESCRIPTION
15									DOOR
	5FS2 01DV	1							[DB, DV]
	5FS2 01L5	1							[L5]
	5FS2 01T5	1							[T5]
16	5519 6620	1							LATCH, Storage Bin Lid
17	4685 591	1							CAP, Cigar Lighter, Power Outlet, Rear
18	HX32 DX9AB	1							PLUG, 12 V-Outlet
19	5FS21 DX9AC	1							LID, Storage Bin



JEEP GRAND CHEROKEE (WJ)

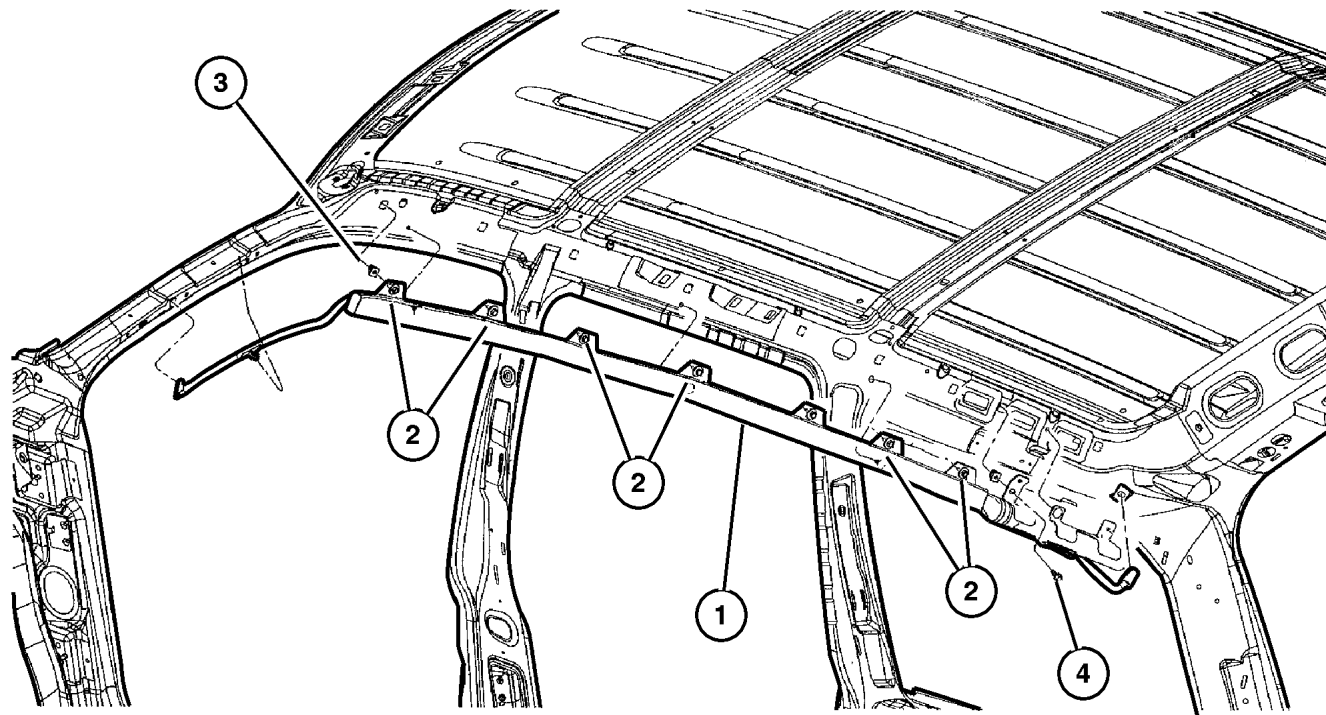
SERIES	LINE	BODY	ENGINE	TRANSMISSION
H = Laredo	J = 4WD	74 = 4 Door	ERH = 4.0L, Power Tech I-6	DGK = 4 Speed Auto, 42RE
M = Sport	T = 2WD		EVA = 4.7L Power Tech V8	DGQ = 5 Speed Auto, 45RFE
P = Limited			EVC = 4.7L HO V8 MPI	DG0 = All Automatic Trans
S = Overland			ER0 = All 4.0L 6 Cyl Gas	
			EVO = All 4.7L Gas	

AR = Use as required - = Non illustrated part # = New this model year

December 1, 2003

**Side Air Bag Curtain
Figure IWJ-230**

ITEM	PART NUMBER	QTY	LINE	SERIES	BODY	ENGINE	TRANS	TRIM	DESCRIPTION
1									AIR BAG, Side Curtain
	#55116 436AJ	1							Right
	#55116 437AJ	1							Left
2									SCREW AND WASHER, M6x1.00x18.50, (NOT SERVICED) (Not Serviced)
3									NUT, 22.0 Wide x 14.7 x 10.2 Height, (NOT SERVICED) (Not Serviced)
4									SCREW AND WASHER, M6x1.00x26.50, (NOT SERVICED) (Not Serviced)

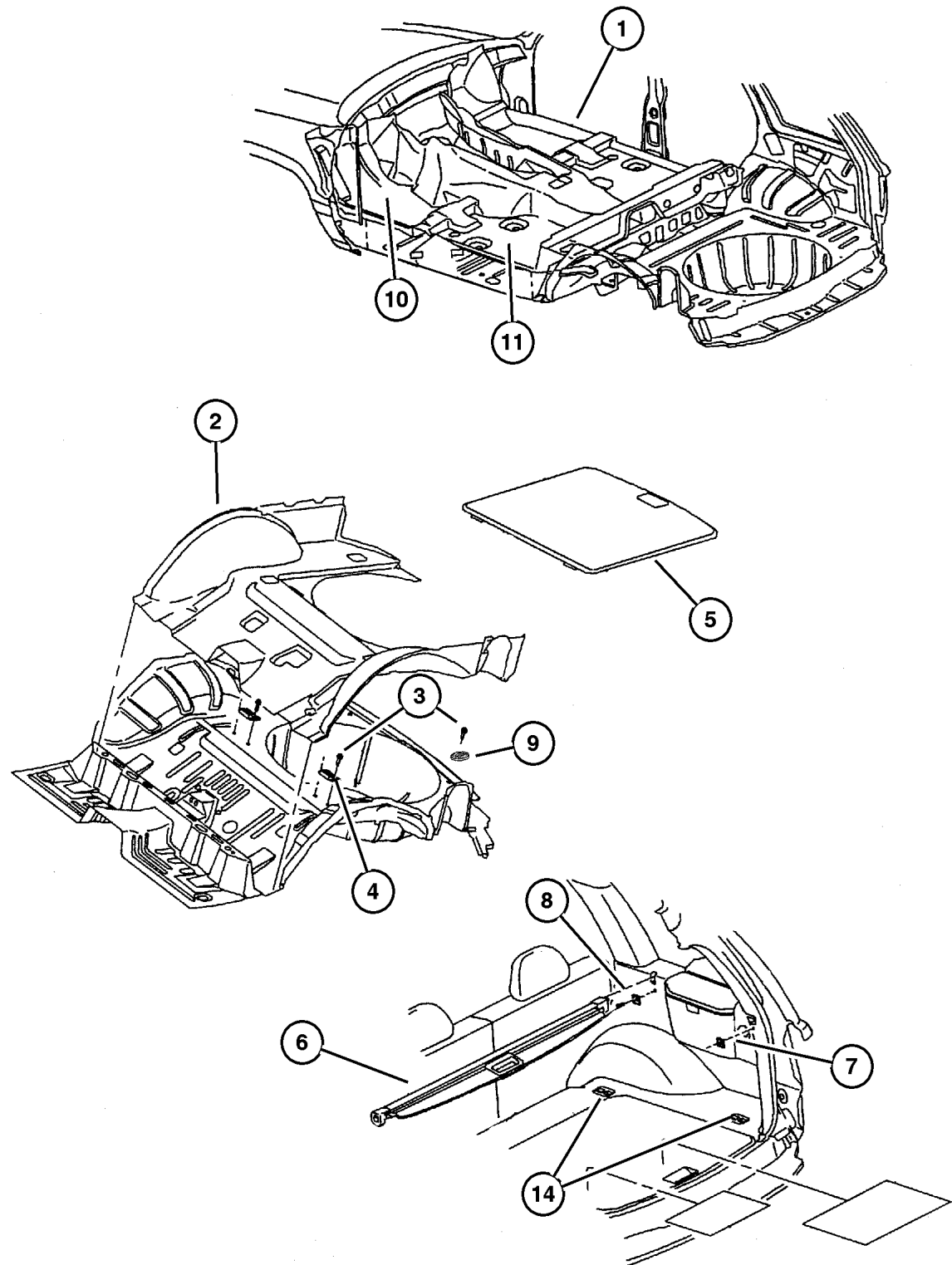


JEEP GRAND CHEROKEE (WJ)				
SERIES	LINE	BODY	ENGINE	TRANSMISSION
H = Laredo	J = 4WD	74 = 4 Door	ERH = 4.0L, Power Tech I-6	DGK = 4 Speed Auto, 42RE
M = Sport	T = 2WD		EVA = 4.7L Power Tech V8	DGQ = 5 Speed Auto, 45RFE
P = Limited			EVC = 4.7L HO V8 MPI	DG0 = All Automatic Trans
S = Overland			ER0 = All 4.0L 6 Cyl Gas	
			EVO = All 4.7l Gas	

AR = Use as required - = Non illustrated part # = New this model year

December 1, 2003

**Carpet and Insulation
Figure IWJ-310**



ITEM	PART NUMBER	QTY	LINE	SERIES	BODY	ENGINE	TRANS	TRIM	DESCRIPTION
1	5FA14 WL8AI	1							CARPET, Front Floor
	5FA14 WL8AK	1							[L5], With Heal Pad
	5FA14 WL8AK	1							[L5], Without Heal Pad
	5FA14 XDVAI	1							[DB, DV], With Heal Pad
	5FA14 XDVAK	1							[DB, DV], Without Heal Pad
	5FA14 XTMAI	1							[T5], With Heal Pad
5FA14 XTMAK	1							[T5], Without Heal Pad	
2	5FS70 WL8AL	1							CARPET, Cargo Floor
	5FS70 WL8AL	1							[L5]
	5FS70 XDVAL	1							[DB, DV]
	5FS70 XTMAL	1							[T5]
3	6035 122	8							RIVET, .187x.70 Black
4	55196 748AA	2							BRACKET, Spare Tire
5	5HB54 1DVAD	1							COVER, Spare Tire
	5HB54 1L8AD	1							[DB, DV]
	5HB54 1L8AD	1							[L5]
	5HB54 1TMAD	1							[T5]
6	5FS27 1DVAB	1							COVER, Cargo Compartment
	5FS27 1L5AB	1							[DB, DV]
	5FS27 1L5AB	1							[L5]
	5FS27 1T5AB	1							[T5]
7	55196 901AB	4							LOOP, Cargo Tie Down
8									SCREW, [.164-18x1.625], (NOT SERVICED) (Not Serviced)
9	55196 832AB	2							RETAINER, Dual Lock
10	8220 4571	1			74				MAT KIT, Floor - Front
	8220 4571	1			74				[L5], Molded Carpeted With Logo
	8220 6758	1			74				[T5], Molded Carpeted With Logo
	8220 7429	1							[DV], Molded Carpeted With Logo
	8220 7426	1							[DV], Slush
	8220 6756	1			74				[T5], Slush
	8220 4402	1			74				[L5], Slush
	#8220 8237	1							[L5], Carpeted Without Logo
	#8220 8238	1							[DV], Carpeted Without Logo
	#8220 8239	1							[T5], Carpeted Without Logo
11	8220 4405	1			74				MAT KIT, Floor - Rear
	8220 4405	1			74				[L5], Slush
	8220 6757	1			74				[T5], Slush
	8220 7425	1							[DV], Slush
	8220 4574	1			74				[L5], Molded Carpeted
	8220 6759	1			74				[T5], Molded Carpeted
	8220 7430	1							[DV], Molded Carpeted

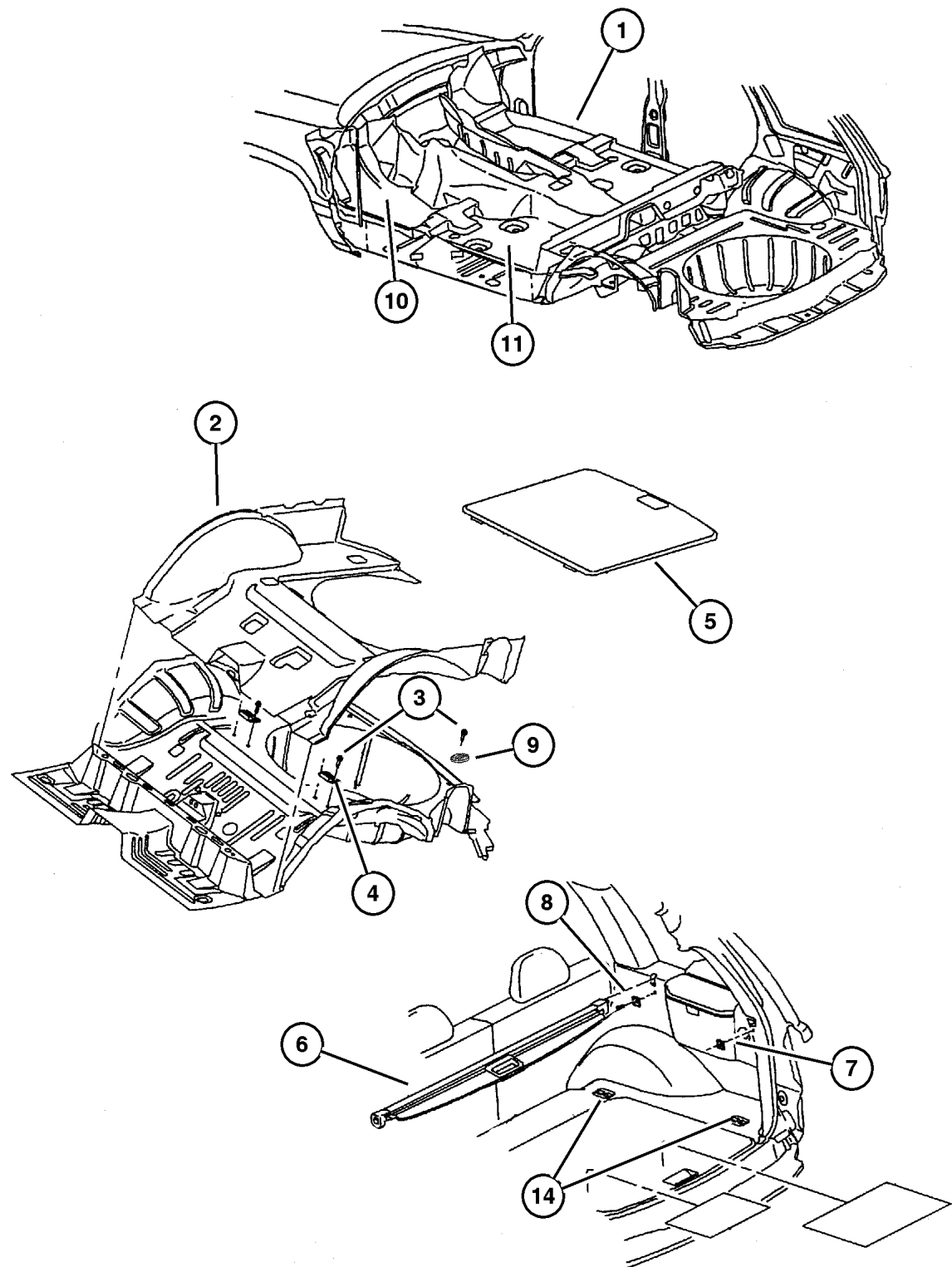
JEEP GRAND CHEROKEE (WJ)

SERIES	LINE	BODY	ENGINE	TRANSMISSION
H = Laredo	J = 4WD	74 = 4 Door	ERH = 4.0L, Power Tech I-6	DGK = 4 Speed Auto, 42RE
M = Sport	T = 2WD		EVA = 4.7L Power Tech V8	DGQ = 5 Speed Auto, 45RFE
P = Limited			EVC = 4.7L HO V8 MPI	DG0 = All Automatic Trans
S = Overland			ER0 = All 4.0L 6 Cyl Gas	
			EVO = All 4.7L Gas	

AR = Use as required - = Non illustrated part # = New this model year

December 1, 2003

Carpet and Insulation
Figure IWJ-310



ITEM	PART NUMBER	QTY	LINE	SERIES	BODY	ENGINE	TRANS	TRIM	DESCRIPTION
	#8220 8240	1			74				[L5], Carpeted
	#8220 8241	1			74				[DV], Carpeted
	#8220 8242	1			74				[T5], Carpeted
-12	#5JQ58 XDVAA	1	J	S					MAT KIT, Floor, Overland After 2/11/03
	5GJ93 XDVAA	1	J	S					Up to 2/11/03
-13	55196 834AA	1							CLIP, Carpet
14	5086 138AA	4							LOOP, Cargo Tie Down
-15	8220 7426	1							MAT KIT, Floor - Front, Freedom Edition
-16	8220 7425	1							MAT KIT, Floor - Rear, Freedom Edition

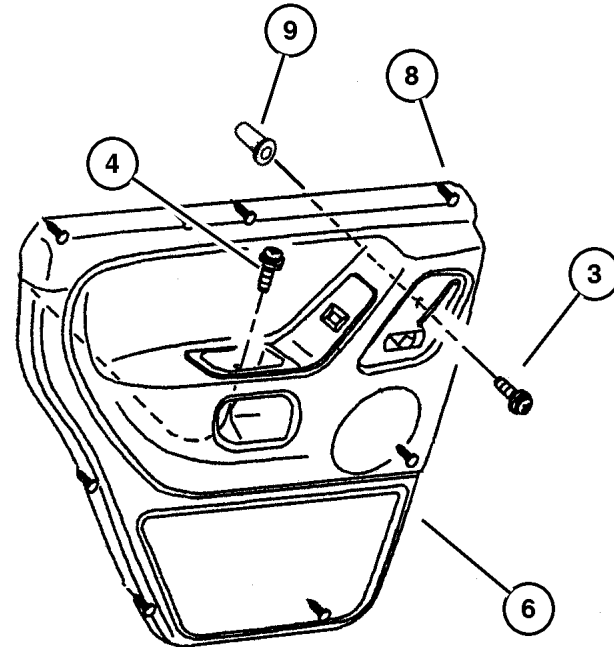
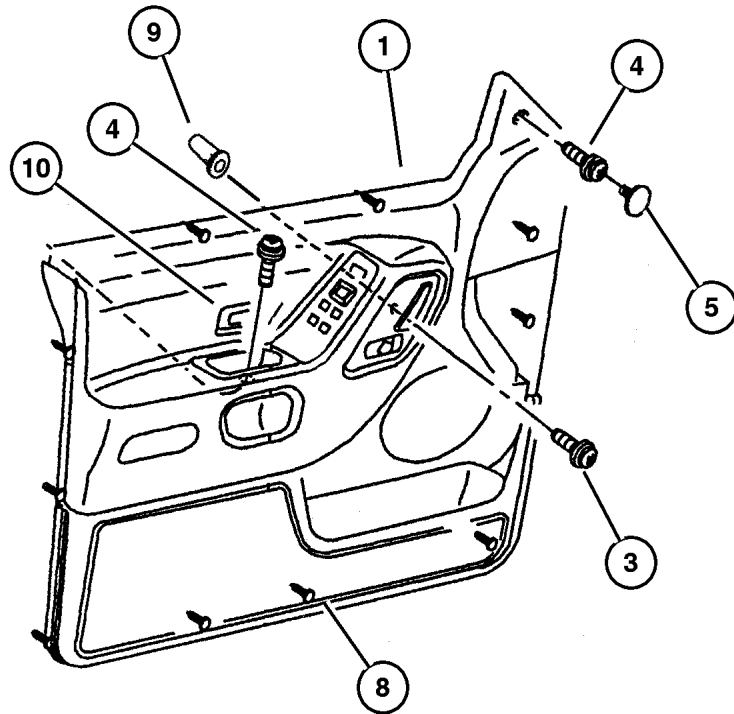
JEEP GRAND CHEROKEE (WJ)

SERIES	LINE	BODY	ENGINE	TRANSMISSION
H = Laredo	J = 4WD	74 = 4 Door	ERH = 4.0L, Power Tech I-6	DGK = 4 Speed Auto, 42RE
M = Sport	T = 2WD		EVA = 4.7L Power Tech V8	DGQ = 5 Speed Auto, 45RFE
P = Limited			EVC = 4.7L HO V8 MPI	DG0 = All Automatic Trans
S = Overland			ER0 = All 4.0L 6 Cyl Gas	
			EVO = All 4.7l Gas	

AR = Use as required - = Non illustrated part # = New this model year

December 1, 2003

Door Trim Panels
Figure IWJ-410



ITEM	PART NUMBER	QTY	LINE	SERIES	BODY	ENGINE	TRANS	TRIM	DESCRIPTION
1									PANEL, Front Door Trim
	WY63 1T5AA	1		H					[T5], Laredo, Left
	#YX95 1DVAA	1		P					[DV], Limited, Left
	#YX95 1L5AA	1		P					[L5], Limited, Left
	#YX95 1T5AA	1		P					[T5], Limited, Left
	#YX98 1DBAA	1		S					[DB], Overland, Right
	#YX99 1DBAA	1		S					[DB], Overland, Left
	WY63 1DVAA	1		H					[DV], Laredo, Left
	WY63 1L5AA	1		H					[L5], Laredo, Left
	XE84 1T5AA	1		H					[T5], Laredo, Right
	XE84 1L5AA	1		H					[L5], Laredo, Right
	XE84 1DVAA	1		H					[DV], Laredo, Right
	#YX94 1DVAA	1		P					[DV], Limited, Right
	#YX94 1L5AA	1		P					[L5], Limited, Right
	#YX94 1T5AA	1		P					[T5], Limited, Right
-2									MOLDING, Front Door, Woodgrain
	5GY85 AAAAA	1		S					Left
	5GY86 AAAAA	1		S					Right
3	6505 156AA	2							SCREW, M5X0.8X16.00~~
4	6032 723	6							SCREW, Self Tapping, M4.2x1.69x19.05
5									PLUG, Door Trim Panel
	5FC1 1WL8	2							[L5]
	5FC1 1XDV	2							[DB, DV]
	5FC1 1XTM	2							[T5]
6									PANEL, Rear Door Trim
	XF17 1T5AA	1		H					[T5], Laredo, Left
	XE91 1DVAA	1		P					[DV], Limited, Left
	XE91 1L5AA	1		P					[L5], Limited, Left
	XE91 1T5AA	1		P					[T5], Limited, Left
	XE77 1DBAA	1		S					[DB], Overland, Left
	XE76 1DBAA	1		S					[DB], Overland, Right
	XF17 1L5AA	1		H					[L5], Laredo, Left
	XF17 1DVAA	1		H					[DV], Laredo, Left
	XF16 1T5AA	1		H					[T5], Laredo, Right
	XF16 1L5AA	1		H					[L5], Laredo, Right
	XF16 1DVAA	1		H					[DV], Laredo, Right
	XE90 1L5AA	1		P					[L5], Limited, Right
	XE90 1T5AA	1		P					[T5], Limited, Right
	XE90 1DVAA	1		P					[DV], Limited, Right
-7									MOLDING, Rear Door, Woodgrain

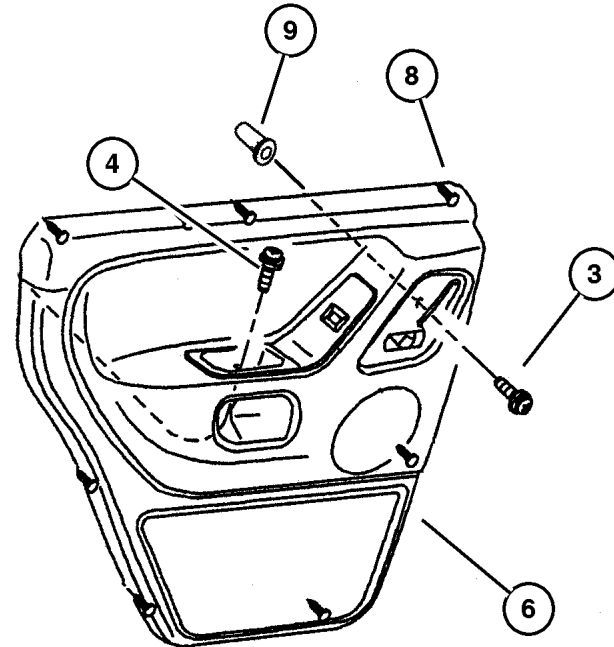
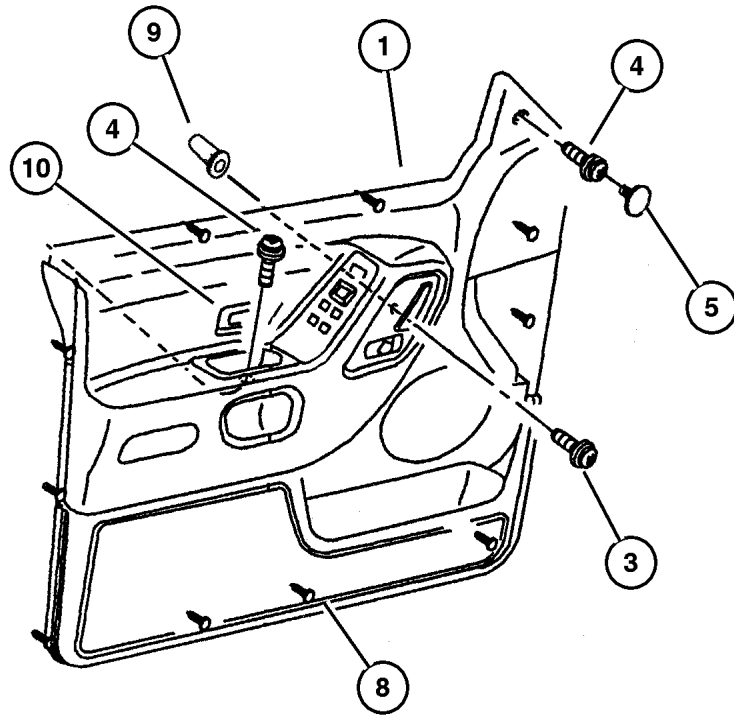
JEEP GRAND CHEROKEE (WJ)

SERIES	LINE	BODY	ENGINE	TRANSMISSION
H = Laredo	J = 4WD	74 = 4 Door	ERH = 4.0L, Power Tech I-6	DGK = 4 Speed Auto, 42RE
M = Sport	T = 2WD		EVA = 4.7L Power Tech V8	DGQ = 5 Speed Auto, 45RFE
P = Limited			EVC = 4.7L HO V8 MPI	DG0 = All Automatic Trans
S = Overland			ER0 = All 4.0L 6 Cyl Gas	
			EVO = All 4.7L Gas	

AR = Use as required - = Non illustrated part # = New this model year

December 1, 2003

Door Trim Panels
Figure IWJ-410



ITEM	PART NUMBER	QTY	LINE	SERIES	BODY	ENGINE	TRANS	TRIM	DESCRIPTION
	5GY87 AAAAA	1		S					[DB], Overland, Left
	5GY88 AAAAA	1		S					[DB], Overland, Right
8									FASTENER, Door Trim Panel
	6507 686AA	11		H					Front Door
		11		P					Front Door
		11		S					Front Door
		9		H					Rear Door
		9		P					Rear Door
		9		S					Rear Door
9	6505 201AA	2							NUT
10									BEZEL, Switch, Memory Seats
	UH63 1DBAA	1		S					[DB]
	UH63 1DVAA	1		P					[DV]
	UH63 1L5AA	1		P					[L5]
	UH63 1T5AA	1		P					[T5]

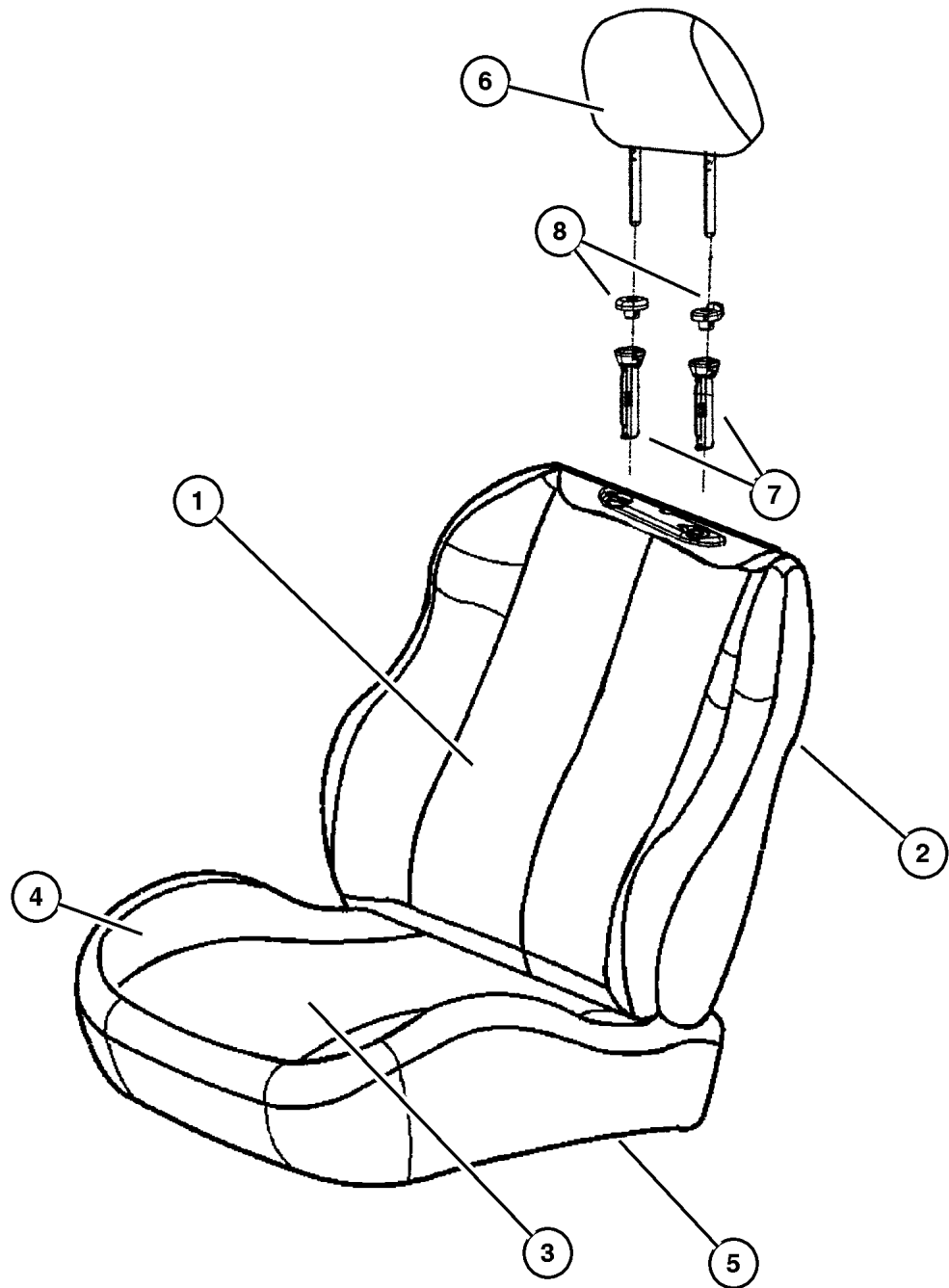
JEEP GRAND CHEROKEE (WJ)

SERIES	LINE	BODY	ENGINE	TRANSMISSION
H = Laredo	J = 4WD	74 = 4 Door	ERH = 4.0L, Power Tech I-6	DGK = 4 Speed Auto, 42RE
M = Sport	T = 2WD		EVA = 4.7L Power Tech V8	DGQ = 5 Speed Auto, 45RFE
P = Limited			EVC = 4.7L HO V8 MPI	DG0 = All Automatic Trans
S = Overland			ER0 = All 4.0L 6 Cyl Gas	
			EVO = All 4.7l Gas	

AR = Use as required - = Non illustrated part # = New this model year

December 1, 2003

Front Seat, Cloth, Trim Code [E7]
Figure IWJ-510



ITEM	PART NUMBER	QTY	LINE	SERIES	BODY	ENGINE	TRANS	TRIM	DESCRIPTION
1									COVER, Front Seat Back
	XQ24 1DVAA	1						E7	[DV], Left
	XQ24 1L5AA	1						E7	[L5], Left
	XQ24 1T5AA	1						E7	[T5], Left
	XR82 1DVAA	1						E7	[DV], Right
	XR82 1L5AA	1						E7	[L5], Right
	XR82 1T5AA	1						E7	[T5], Right
2									BACK, Front Seat
	XQ23 1DVAA	1						E7	[DV], Left
	XQ23 1L5AA	1						E7	[L5], Left
	XQ23 1T5AA	1						E7	[T5], Left
	XR84 1DVAA	1						E7	[DV], Right
	XR84 1L5AA	1						E7	[L5], Right
	XR84 1T5AA	1						E7	[T5], Right
3									COVER, Front Seat Cushion
	YE90 1DVAA	1						E7	[DV], Right
	YE90 1L5AA	1						E7	[L5], Right
	YE90 1T5AA	1						E7	[T5], Right
	YE91 1DVAA	1						E7	[DV], Left
	YE91 1L5AA	1						E7	[L5], Left
	YE91 1T5AA	1						E7	[T5], Left
4									FOAM, Seat Cushion
	5093 494AA	1						E7	Right
	5093 495AA	1						E7	Left
5									FRAME, Front Seat
	4856 470	1						E7	Right
	4856 471	1						E7	Left
6									HEADREST, Front
	XZ85 1DVAA	2						E7	[DV]
	XZ85 1L5AA	2						E7	[L5]
	XZ85 1T5AA	2						E7	[T5]
7	5013 152AA	2						E7	CYLINDER, Headrest
8									COVER, Headrest Sleeve
	UK04 1DVAA	4						E7	[DV], Flush Button
	UK04 1L5AA	4						E7	[L5], Flush Button
	UK04 1T5AA	4						E7	[T5], Flush Button
	UK05 1DVAA	4						E7	[DV], Protruding Button
	UK05 1L5AA	4						E7	[L5], Protruding Button
	UK05 1T5AA	4						E7	[T5], Protruding Button
-9	5093 493AA	2						E7	WIRE KIT, Trimming
-10	5018 505AA	AR							EXTENDER, Seat Belt

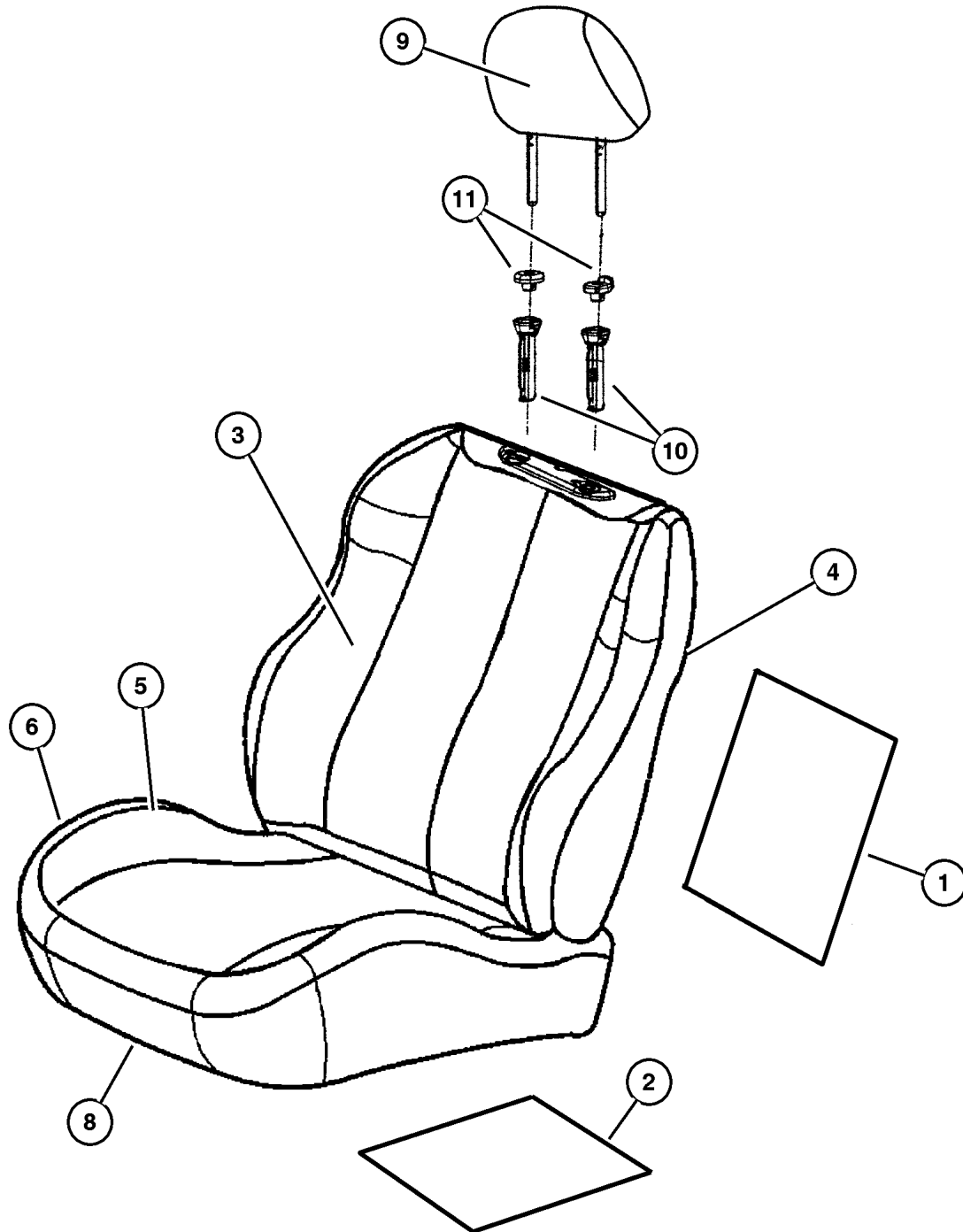
JEEP GRAND CHEROKEE (WJ)

SERIES	LINE	BODY	ENGINE	TRANSMISSION
H = Laredo	J = 4WD	74 = 4 Door	ERH = 4.0L, Power Tech I-6	DGK = 4 Speed Auto, 42RE
M = Sport	T = 2WD		EVA = 4.7L Power Tech V8	DGQ = 5 Speed Auto, 45RFE
P = Limited			EVC = 4.7L HO V8 MPI	DG0 = All Automatic Trans
S = Overland			ER0 = All 4.0L 6 Cyl Gas	
			EVO = All 4.7L Gas	

AR = Use as required - = Non illustrated part # = New this model year

December 1, 2003

**Front Seat, Leather, Trim Code [JL]
Figure IWJ-520**



ITEM	PART NUMBER	QTY	LINE	SERIES	BODY	ENGINE	TRANS	TRIM	DESCRIPTION
Sales Codes:									
[JTG] = Power Heated									
1	5102 314AA	1						JL	HEATER, Stick-on Pad, Back
2	5102 315AA	2						JL	HEATER, Stick-on Pad, Cushion
3									COVER, Front Seat Back
	WK36 1DVAA	1						JL	[DV]
	WK36 1L5AA	1						JL	[L5]
	WK36 1T5AA	1						JL	[T5]
4									BACK, Front Seat
	WK52 1DVAA	1						JL	[DV], Non-Heated, Right
	YM03 1DVAA	1						JL	[DV], Includes Stick-on Heater Pad, Sales Code [JTG], Left
	YM03 1L5AA	1						JL	[L5], Includes Stick-on Heater Pad, Sales Code [JTG], Left
	YM03 1T5AA	1						JL	[T5], Includes Stick-on Heater Pad, Sales Code [JTG], Left
	WK52 1L5AA	1						JL	[L5], Non-Heated, Right
	WK52 1T5AA	1						JL	[T5], Non-Heated, Right
	WK53 1DVAA	1						JL	[DV], Non-Heated, Left
	WK53 1L5AA	1						JL	[L5], Non-Heated, Left
	WK53 1T5AA	1						JL	[T5], Non-Heated, Left
	YM02 1DVAA	1						JL	[DV], Includes Stick-on Heater Pad, Sales Code [JTG], Right
	YM02 1L5AA	1						JL	[L5], Includes Stick-on Heater Pad, Sales Code [JTG], Right
	YM02 1T5AA	1						JL	[T5], Includes Stick-on Heater Pad, Sales Code [JTG], Right
5									COVER, Front Seat Cushion
	XR52 1DVAA	1						JL	[DV], Right,Power
	XR52 1L5AA	1						JL	[L5], Right,Power
	XR52 1T5AA	1						JL	[T5], Right,Power
	XR53 1DVAA	1						JL	[DV], Left
	XR53 1L5AA	1						JL	[L5], Left
	XR53 1T5AA	1						JL	[T5], Left
	#ZJ66 1DVAA	1						JL	[DV], Right,Manual
	#ZJ66 1L5AA	1						JL	[L5], Right,Manual
	#ZJ66 1T5AA	1						JL	[T5], Right,Manual
6									FOAM, Seat Cushion
	5093 494AA	1						JL	Right
	5093 495AA	1						JL	Left
-7	5093 493AA	1						JL	WIRE KIT, Trimming
8									FRAME, Front Seat

JEEP GRAND CHEROKEE (WJ)

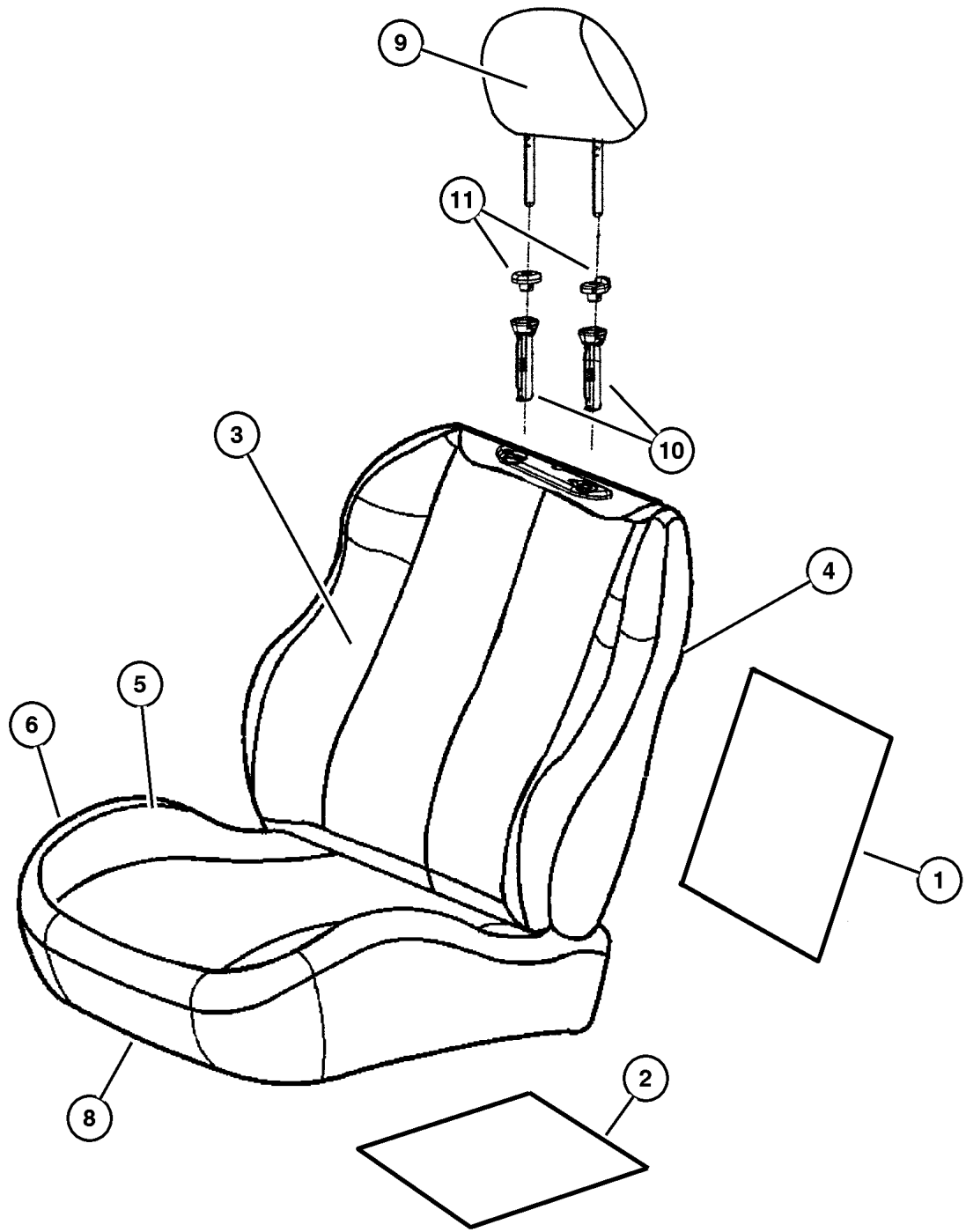
SERIES	LINE	BODY	ENGINE	TRANSMISSION
H = Laredo	J = 4WD	74 = 4 Door	ERH = 4.0L, Power Tech I-6	DGK = 4 Speed Auto, 42RE
M = Sport	T = 2WD		EVA = 4.7L Power Tech V8	DGQ = 5 Speed Auto, 45RFE
P = Limited			EVC = 4.7L HO V8 MPI	DG0 = All Automatic Trans
S = Overland			ER0 = All 4.0L 6 Cyl Gas	
			EVO = All 4.7L Gas	

AR = Use as required - = Non illustrated part # = New this model year

December 1, 2003

**Front Seat, Leather, Trim Code [JL]
Figure IWJ-520**

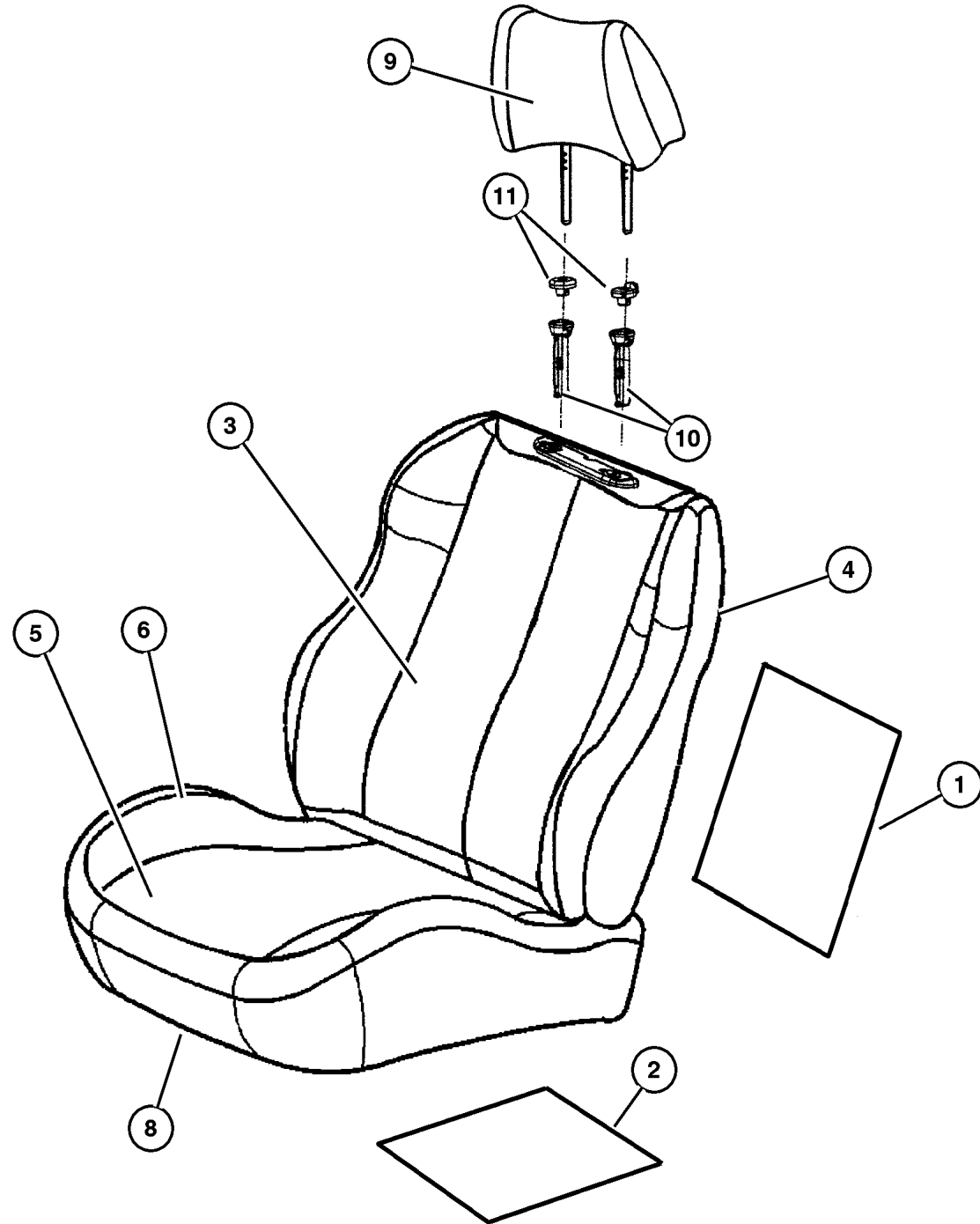
ITEM	PART NUMBER	QTY	LINE	SERIES	BODY	ENGINE	TRANS	TRIM	DESCRIPTION
	4856 470	1						JL	Right
	4856 471	1						JL	Left
9	XZ83 1DVAA	1						JL	HEADREST, Front [DV]
	XZ83 1L5AA	1						JL	[L5]
	XZ83 1T5AA	1						JL	[T5]
10	5013 152AA	2						JL	CYLINDER, Headrest
11	UK04 1DVAA	1						JL	COVER, Headrest Sleeve [DV], Flush Button
	UK04 1L5AA	1						JL	[L5], Flush Button
	UK04 1T5AA	1						JL	[T5], Flush Button
	UK05 1DVAA	1						JL	[DV], Protruding Button
	UK05 1L5AA	1						JL	[L5], Protruding Button
	UK05 1T5AA	1						JL	[T5], Protruding Button
-12	5018 505AA	AR						JL	EXTENDER, Seat Belt



JEEP GRAND CHEROKEE (WJ)				
SERIES	LINE	BODY	ENGINE	TRANSMISSION
H = Laredo	J = 4WD	74 = 4 Door	ERH = 4.0L, Power Tech I-6	DGK = 4 Speed Auto, 42RE
M = Sport	T = 2WD		EVA = 4.7L Power Tech V8	DGQ = 5 Speed Auto, 45RFE
P = Limited			EVC = 4.7L HO V8 MPI	DG0 = All Automatic Trans
S = Overland			ER0 = All 4.0L 6 Cyl Gas	
			EVO = All 4.7l Gas	

AR = Use as required - = Non illustrated part # = New this model year December 1, 2003

**Front Seat, Leather, Trim Code [XL]
Figure IWJ-530**



ITEM	PART NUMBER	QTY	LINE	SERIES	BODY	ENGINE	TRANS	TRIM	DESCRIPTION
Sales Codes: [JRF] = Power 10 Way,Memory Driver Non-Heated, 6 way Passenger. [JRH] = Power 10 Way,Memory Driver Heated, 6 way Passenger. [JTF] = Power 10-Way Heated Memory.									
1	5102 314AA	2						XL	HEATER, Stick-on Pad, Back
2	5102 315AA	2						XL	HEATER, Stick-on Pad, Cushion
3	WN52 1T5AA	2						XL	[T5]
	WN52 1L5AA	2						XL	[L5]
	WN52 1DVAA	2						XL	[DV]
4	WN49 1DVAA	1						XL	BACK, Front Seat [DV], Non-Heated, Sales Code [JRF], Left
	YM05 1DVAA	1						XL	[DV], Includes Stick-on Heater Pad, Sales Code [JRH], Left
	YM05 1L5AA	1						XL	[L5], Includes Stick-on Heater Pad, Sales Code [JRH], Left
	YM05 1T5AA	1						XL	[T5], Includes Stick-on Heater Pad, Sales Code [JRH], Left
	YM06 1DVAA	1						XL	[DV], Includes Stick-on Heater Pad, Sales Code [JRH], Right
	YM06 1L5AA	1						XL	[L5], Includes Stick-on Heater Pad, Sales Code [JRH], Right
	YM06 1T5AA	1						XL	[T5], Includes Stick-on Heater Pad, Sales Code [JRH], Right
	WN49 1L5AA	1						XL	[L5], Non-Heated, Sales Code [JRF], Left
	WN49 1T5AA	1						XL	[T5], Non-Heated, Sales Code [JRF], Left
	XC50 1DVAA	1						XL	[DV], Non-Heated, Sales Code [JRF], Right
	XC50 1L5AA	1						XL	[L5], Non-Heated, Sales Code [JRF], Right
	XC50 1T5AA	1						XL	[T5], Non-Heated, Sales Code [JRF], Right
	YM04 1DVAA	1						XL	[DV], Includes Stick-on Heater Pad, Sales Code [JTF], Right
	YM04 1L5AA	1						XL	[L5], Includes Stick-on Heater Pad, Sales Code [JTF], Right
	YM04 1T5AA	1						XL	[T5], Includes Stick-on Heater Pad, Sales Code [JTF], Right
5									COVER, Front Seat Cushion

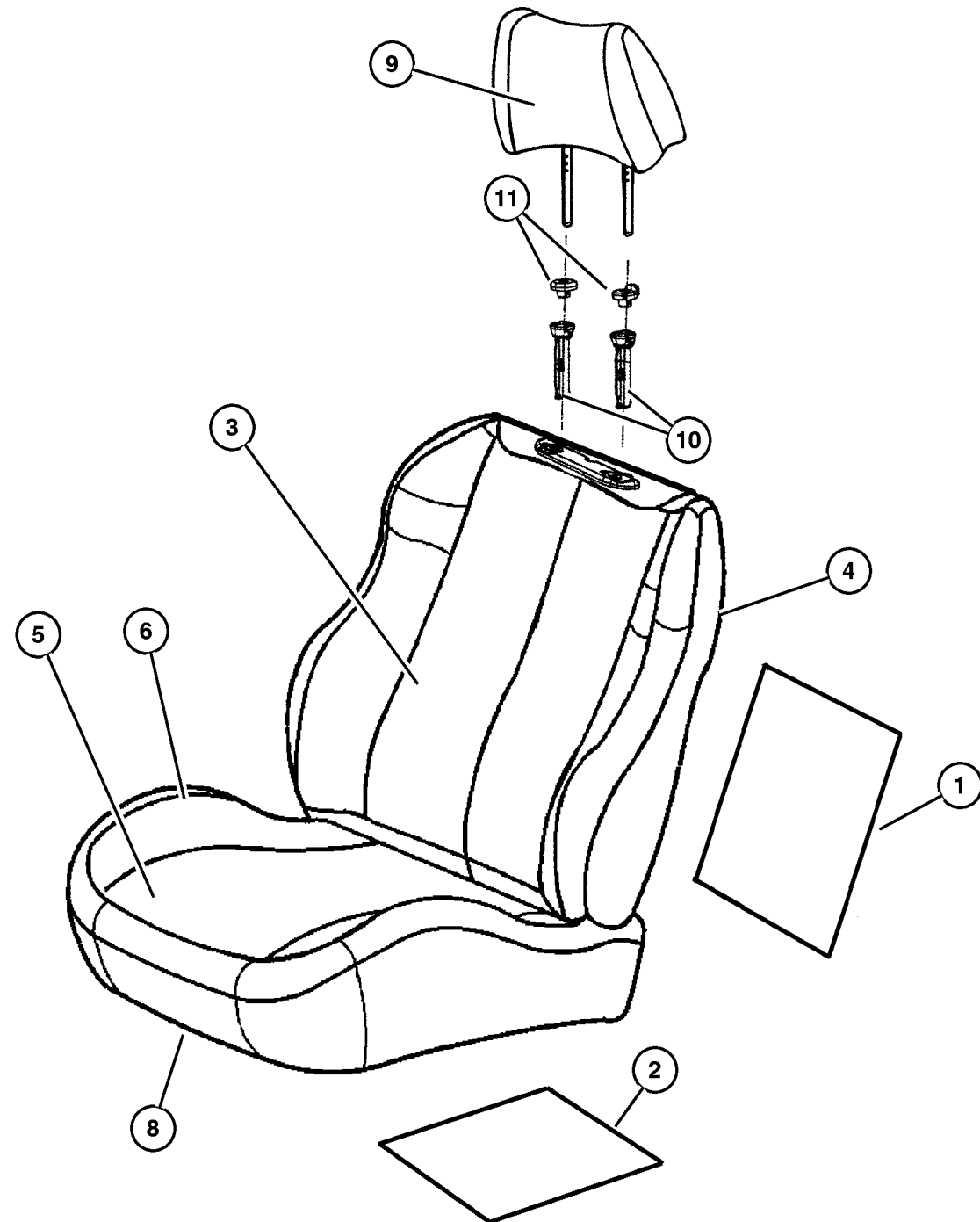
JEEP GRAND CHEROKEE (WJ)

SERIES	LINE	BODY	ENGINE	TRANSMISSION
H = Laredo	J = 4WD	74 = 4 Door	ERH = 4.0L, Power Tech I-6	DGK = 4 Speed Auto, 42RE
M = Sport	T = 2WD		EVA = 4.7L Power Tech V8	DGQ = 5 Speed Auto, 45RFE
P = Limited			EVC = 4.7L HO V8 MPI	DG0 = All Automatic Trans
S = Overland			ER0 = All 4.0L 6 Cyl Gas	
			EVO = All 4.7L Gas	

AR = Use as required - = Non illustrated part # = New this model year

December 1, 2003

**Front Seat, Leather, Trim Code [XL]
Figure IWJ-530**



ITEM	PART NUMBER	QTY	LINE	SERIES	BODY	ENGINE	TRANS	TRIM	DESCRIPTION
	XR17 1T5AA	1						XL	[T5], Left
	XR17 1L5AA	1						XL	[L5], Left
	XR17 1DVAA	1						XL	[DV], Left
	XR16 1T5AA	1						XL	[T5], Right
	XR16 1L5AA	1						XL	[L5], Right
	XR16 1DVAA	1						XL	[DV], Right
6									FOAM, Seat Cushion
	5093 494AA	1						XL	Right
	5093 495AA	1						XL	Left
-7	5093 493AA	2						XL	WIRE KIT, Trimming
8									FRAME, Front Seat
	4856 470	1						XL	Right
	4856 471	1						XL	Left
9									HEADREST, Front
	XZ84 1T5AA	2						XL	[T5]
	XZ84 1L5AA	2						XL	[L5]
	XZ84 1DVAA	2						XL	[DV]
10	5013 152AA	8						XL	CYLINDER, Headrest
11									COVER, Headrest Sleeve
	UK05 1T5AA	4						XL	[T5], Protruding Button
	UK05 1L5AA	4						XL	[L5], Protruding Button
	UK05 1DVAA	4						XL	[DV], Protruding Button
	UK04 1T5AA	4						XL	[T5], Flush Button
	UK04 1L5AA	4						XL	[L5], Flush Button
	UK04 1DVAA	4						XL	[DV], Flush Button
-12	5018 505AA	AR							EXTENDER, Seat Belt

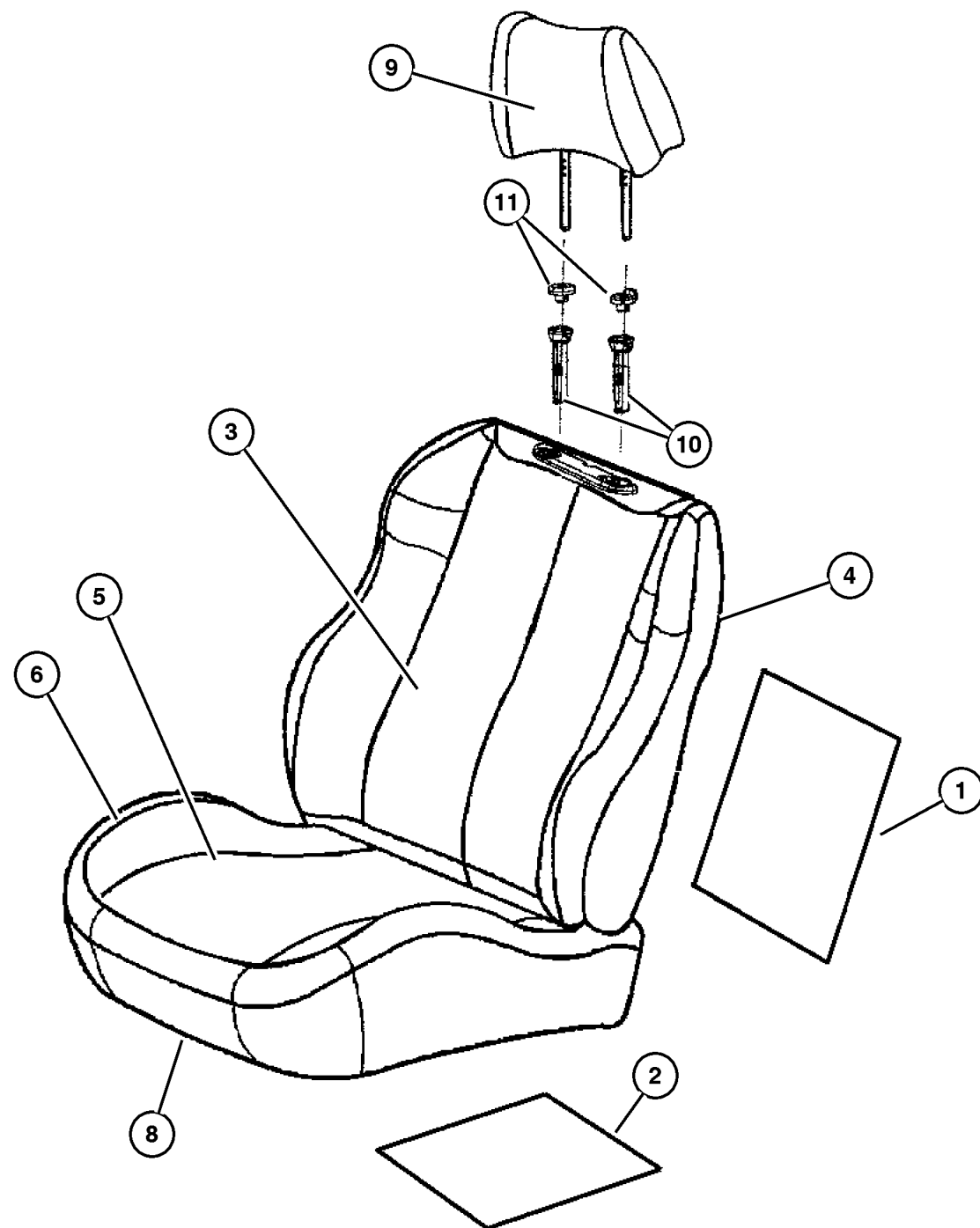
JEEP GRAND CHEROKEE (WJ)

SERIES	LINE	BODY	ENGINE	TRANSMISSION
H = Laredo	J = 4WD	74 = 4 Door	ERH = 4.0L, Power Tech I-6	DGK = 4 Speed Auto, 42RE
M = Sport	T = 2WD		EVA = 4.7L Power Tech V8	DGQ = 5 Speed Auto, 45RFE
P = Limited			EVC = 4.7L HO V8 MPI	DG0 = All Automatic Trans
S = Overland			ER0 = All 4.0L 6 Cyl Gas	
			EVO = All 4.7L Gas	

AR = Use as required - = Non illustrated part # = New this model year

December 1, 2003

**Front Seat, Leather, Trim Code [TL]
Figure IWJ-540**



ITEM	PART NUMBER	QTY	LINE	SERIES	BODY	ENGINE	TRANS	TRIM	DESCRIPTION
1	5102 314AA	2	J	S	74			TL	HEATER, Stick-on Pad, Back, Back
2	5102 315AA	2	J	S	74			TL	HEATER, Stick-on Pad, Cushion, Cushion
3	#YL87 1DVAA	2	J	S	74			TL	COVER, Front Seat Back
4	#YL88 1DVAA	1	J	S	74			TL	BACK, Front Seat
	#YL89 1DVAA	1	J	S	74			TL	Includes Stick-on Heater Pad, Right
5	#YL90 1DVAA	1	J	S	74			TL	Includes Stick-on Heater Pad, Left
	#YL91 1DVAA	1	J	S	74			TL	COVER, Front Seat Cushion
6	5093 494AA	1						TL	Right
	5093 495AA	1						TL	Left
-7	5093 493AA	2						TL	WIRE KIT, Trimming
8	4856 470	1						TL	FRAME, Front Seat
	4856 471	1						TL	Right
	4856 471	1						TL	Left
9	XZ82 1DVAA	2						TL	HEADREST, Front
10	5013 152AA	2						TL	CYLINDER, Headrest
11									COVER, Headrest Sleeve
	UK04 1DVAA	1						TL	Flush Button
	UK05 1DVAA	1						TL	Protruding Button
-12	5018 505AA	AR							EXTENDER, Seat Belt

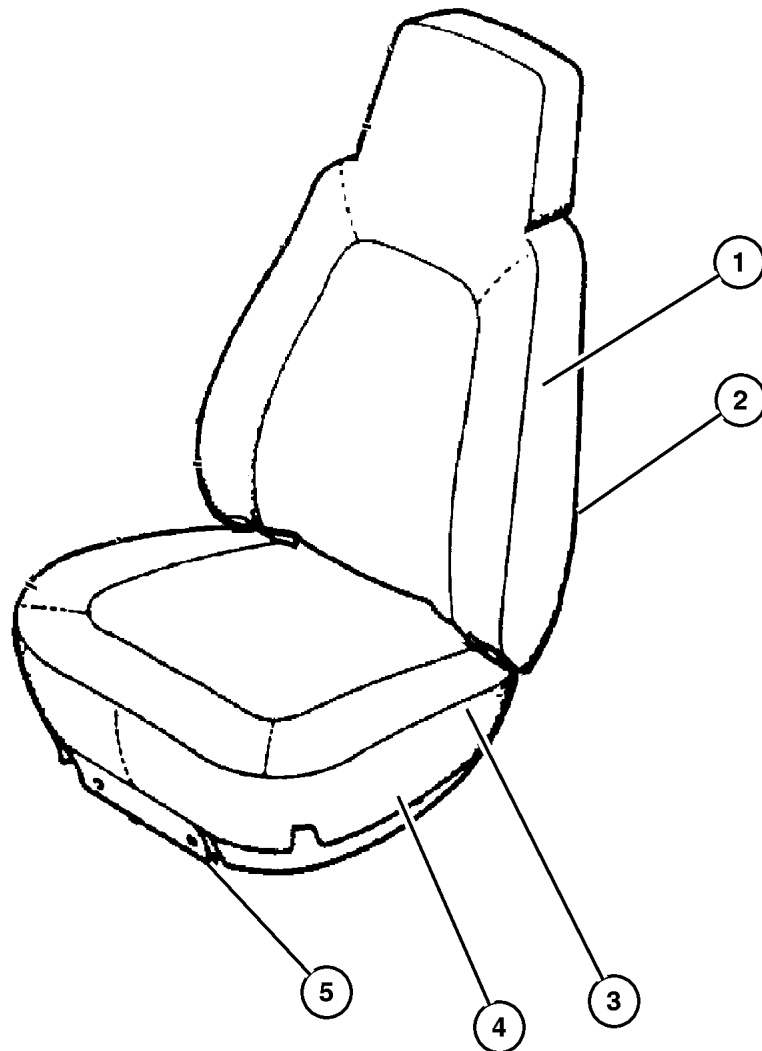
JEEP GRAND CHEROKEE (WJ)

SERIES	LINE	BODY	ENGINE	TRANSMISSION
H = Laredo	J = 4WD	74 = 4 Door	ERH = 4.0L, Power Tech I-6	DGK = 4 Speed Auto, 42RE
M = Sport	T = 2WD		EVA = 4.7L Power Tech V8	DGQ = 5 Speed Auto, 45RFE
P = Limited			EVC = 4.7L HO V8 MPI	DG0 = All Automatic Trans
S = Overland			ER0 = All 4.0L 6 Cyl Gas	
			EVO = All 4.7L Gas	

AR = Use as required - = Non illustrated part # = New this model year

December 1, 2003

**Front Seat, Cloth, Trim Code [S5]
Figure IWJ-550**



ITEM	PART NUMBER	QTY	LINE	SERIES	BODY	ENGINE	TRANS	TRIM	DESCRIPTION
1									COVER, Front Seat Back
	XS00 1DVAA	1						S5	[DV], Right & Left
	XS00 1L5AA	1						S5	[L5], Right & Left
	XS00 1T5AA	1						S5	[T5], Right & Left
2									BACK, Front Seat
	XR98 1DVAA	1						S5	[DV], Right
	XR98 1L5AA	1						S5	[L5], Right
	XR98 1T5AA	1						S5	[T5], Right
	XR99 1DVAA	1						S5	[DV], Left
	XR99 1L5AA	1						S5	[L5], Left
	XR99 1T5AA	1						S5	[T5], Left
3									COVER, Front Seat Cushion
	YE90 1DVAA	1						S5	[DV], Right
	YE90 1L5AA	1						S5	[L5], Right
	YE90 1T5AA	1						S5	[T5], Right
	YE91 1DVAA	1						S5	[DV], Left
	YE91 1L5AA	1						S5	[L5], Left
	YE91 1T5AA	1						S5	[T5], Left
4									FOAM, Seat Cushion
	5093 494AA	1						S5	Right
	5093 495AA	1						S5	Left
5									FRAME, Front Seat
	4856 470	1						S5	Right
	4856 471	1						S5	Left
-6	5093 493AA	2						S5	WIRE KIT, Trimming
-7	5018 505AA	AR							EXTENDER, Seat Belt

JEEP GRAND CHEROKEE (WJ)

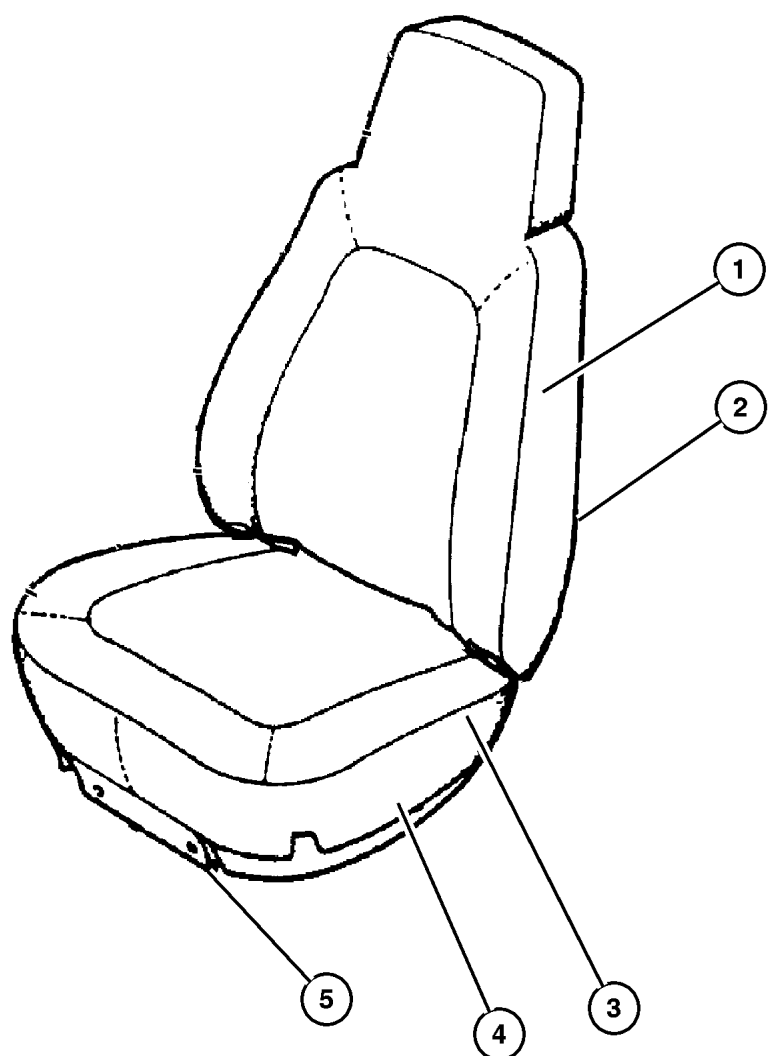
SERIES	LINE	BODY	ENGINE	TRANSMISSION
H = Laredo	J = 4WD	74 = 4 Door	ERH = 4.0L, Power Tech I-6	DGK = 4 Speed Auto, 42RE
M = Sport	T = 2WD		EVA = 4.7L Power Tech V8	DGQ = 5 Speed Auto, 45RFE
P = Limited			EVC = 4.7L HO V8 MPI	DG0 = All Automatic Trans
S = Overland			ER0 = All 4.0L 6 Cyl Gas	
			EVO = All 4.7L Gas	

AR = Use as required - = Non illustrated part # = New this model year

December 1, 2003

**Front Seat, Cloth, Trim Code [T5]
Figure IWJ-560**

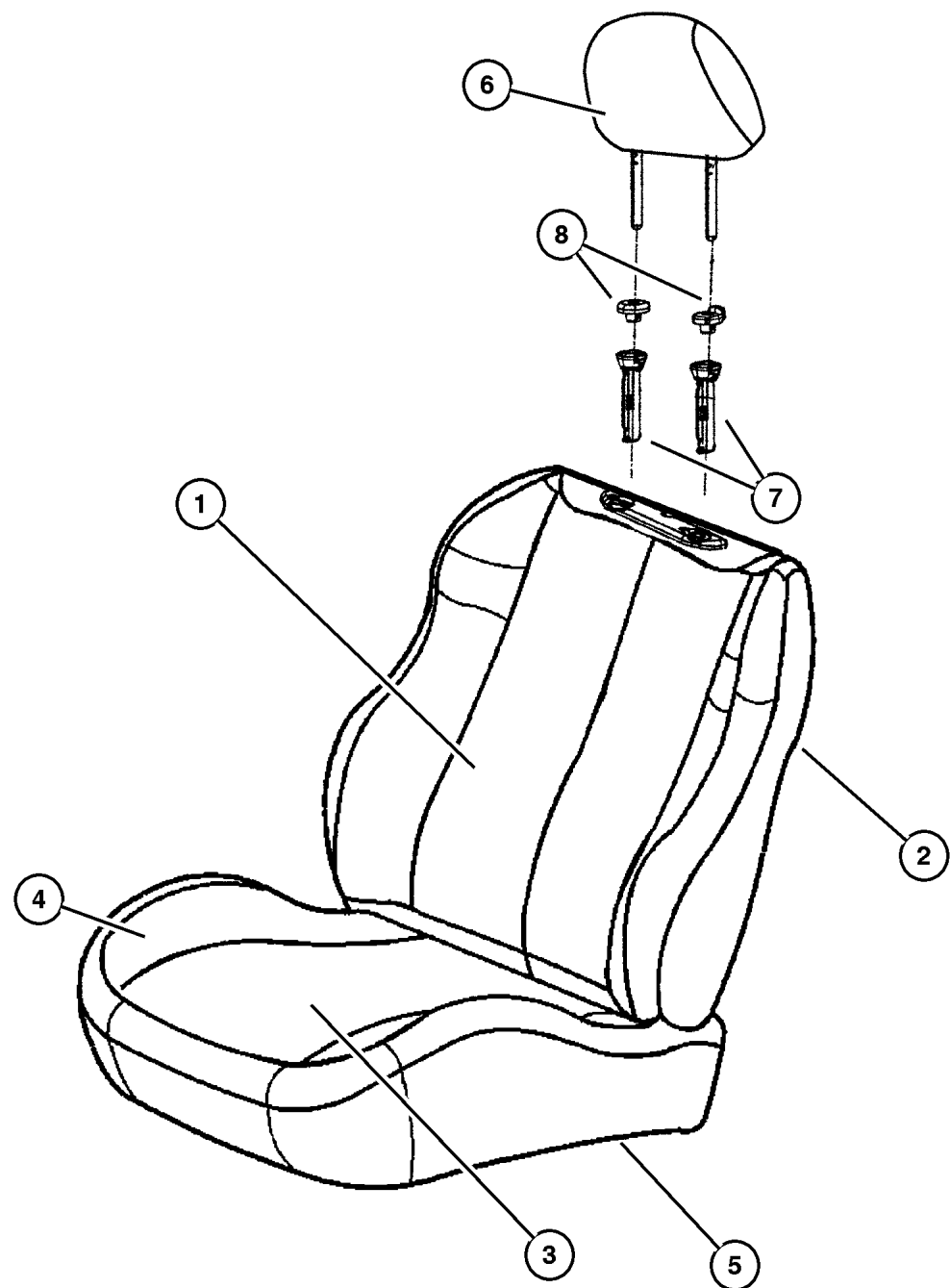
ITEM	PART NUMBER	QTY	LINE	SERIES	BODY	ENGINE	TRANS	TRIM	DESCRIPTION
1	#ZA95 1DVAA	1						T5	COVER, Front Seat Back, Right & Left
2	#ZA96 1DVAA	1						T5	BACK, Front Seat Right
	#ZA97 1DVAA	1						T5	Left
3	YE90 1DVAA	1						T5	COVER, Front Seat Cushion Right
	YE91 1DVAA	1						T5	Left
4	5093 494AA	1						T5	FOAM, Seat Cushion Right
	5093 495AA	1						T5	Left
5	4856 470	1						T5	FRAME, Front Seat Right
	4856 471	1						T5	Left
-6	5093 493AA	2						T5	WIRE KIT, Trimming
-7	5018 505AA	AR							EXTENDER, Seat Belt



JEEP GRAND CHEROKEE (WJ)				
SERIES	LINE	BODY	ENGINE	TRANSMISSION
H = Laredo	J = 4WD	74 = 4 Door	ERH = 4.0L, Power Tech I-6	DGK = 4 Speed Auto, 42RE
M = Sport	T = 2WD		EVA = 4.7L Power Tech V8	DGQ = 5 Speed Auto, 45RFE
P = Limited			EVC = 4.7L HO V8 MPI	DG0 = All Automatic Trans
S = Overland			ER0 = All 4.0L 6 Cyl Gas	
			EVO = All 4.7l Gas	

AR = Use as required - = Non illustrated part # = New this model year December 1, 2003

Front Seat, Cloth, Trim Code [L7]
Figure IWJ-570



ITEM	PART NUMBER	QTY	LINE	SERIES	BODY	ENGINE	TRANS	TRIM	DESCRIPTION
1									COVER, Front Seat Back
	#1AC52 1DVAA	1						L7	Right
	#1AC53 1DVAA	1						L7	Left
2									BACK, Front Seat
	#1AC54 1DVAA	1						L7	Right
	#1AC55 1DVAA	1						L7	Left
3									COVER, Front Seat Cushion
	#1AC38 1DVAA	1						L7	Right
	#1AC39 1DVAA	1						L7	Left
4									FOAM, Seat Cushion
	5093 495AA	1						L7	Left
	5093 494AA	1						L7	Right
5									FRAME, Front Seat
	4856 471AB	1						L7	Left
	4856 470AB	1						L7	Right
6	#1AG91 1DVAA	2						L7	HEADREST, Front
7	5013 152AA	2						L7	CYLINDER, Headrest
8									COVER, Headrest Sleeve
	UK04 1DVAA	1						L7	Flush Button
	UK05 1DVAA	1						L7	Protruding Button
-9	5093 493AA	2						JL	WIRE KIT, Trimming
-10	5018 505AA	AR							EXTENDER, Seat Belt

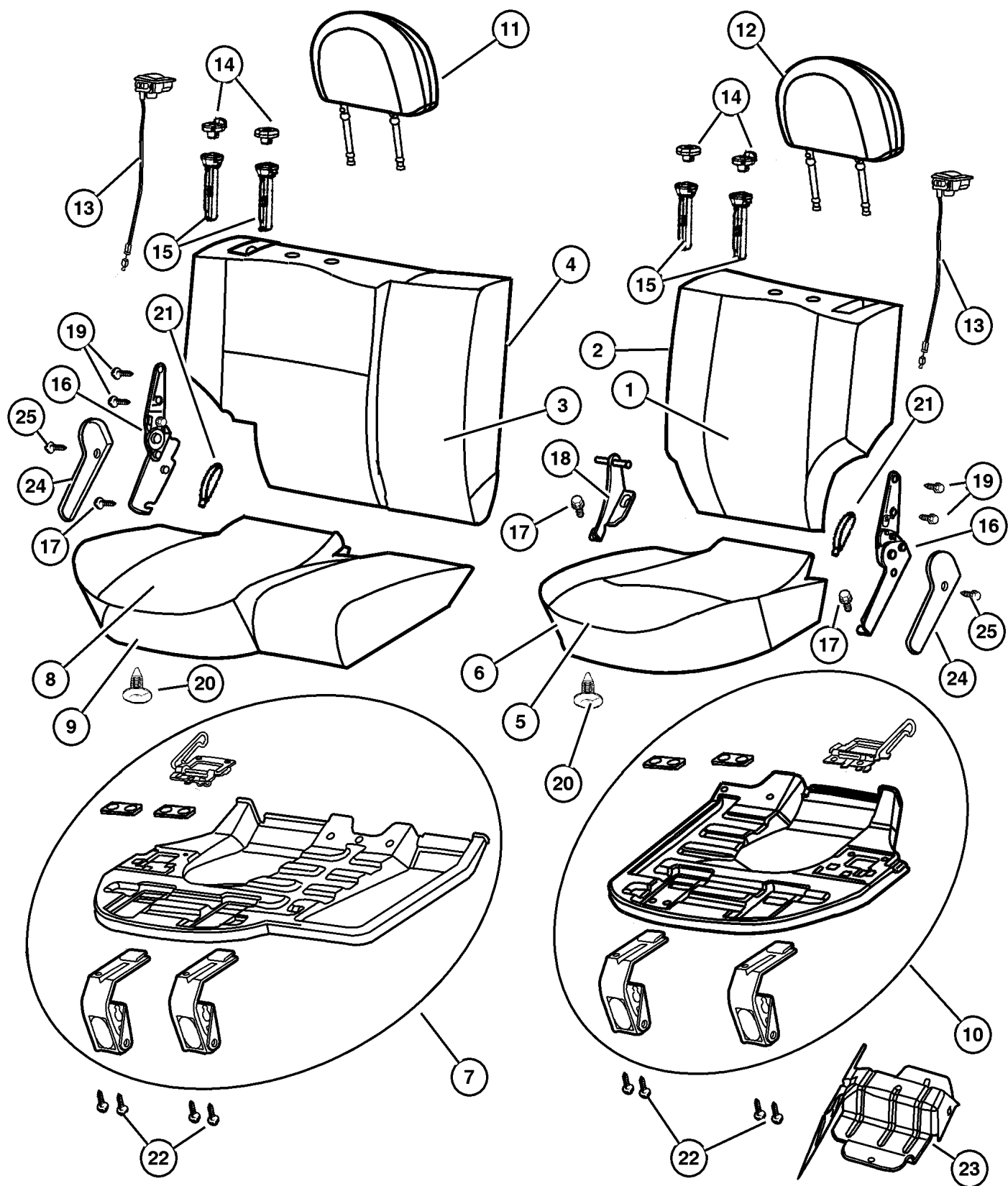
JEEP GRAND CHEROKEE (WJ)

SERIES	LINE	BODY	ENGINE	TRANSMISSION
H = Laredo	J = 4WD	74 = 4 Door	ERH = 4.0L, Power Tech I-6	DGK = 4 Speed Auto, 42RE
M = Sport	T = 2WD		EVA = 4.7L Power Tech V8	DGQ = 5 Speed Auto, 45RFE
P = Limited			EVC = 4.7L HO V8 MPI	DG0 = All Automatic Trans
S = Overland			ER0 = All 4.0L 6 Cyl Gas	
			EVO = All 4.7L Gas	

AR = Use as required - = Non illustrated part # = New this model year

December 1, 2003

Rear Seat, Trim Code [E7]
Figure IWJ-610



ITEM	PART NUMBER	QTY	LINE	SERIES	BODY	ENGINE	TRANS	TRIM	DESCRIPTION
1	XR91 1DVAA	1						E7	COVER, Rear Seat Back, 40%
	XR91 1L5AA	1						E7	[L5]
	XR91 1T5AA	1						E7	[T5]
2	XR97 1DVAA	1						E7	SEAT BACK, Rear, 40%
	XR97 1L5AA	1						E7	[L5]
	XR97 1T5AA	1						E7	[T5]
3	XR90 1DVAA	1						E7	COVER, Rear Seat Back, 60%
	XR90 1L5AA	1						E7	[L5]
	XR90 1T5AA	1						E7	[T5]
4	XR96 1DVAA	1						E7	SEAT BACK, Rear, 60%
	XR96 1L5AA	1						E7	[L5]
	XR96 1T5AA	1						E7	[T5]
5	YE89 1DVAA	1						E7	COVER, Rear Seat Cushion, 40%
	YE89 1L5AA	1						E7	[L5]
	YE89 1T5AA	1						E7	[T5]
6	XR89 1DVAA	1						E7	CUSHION, Rear Seat, 40%
	XR89 1L5AA	1						E7	[L5]
	XR89 1T5AA	1						E7	[T5]
7	5093 498AA	1						E7	PANEL, Seat Cushion Base, 60%
8	YE88 1DVAA	1						E7	COVER, Rear Seat Cushion, 60%
	YE88 1L5AA	1						E7	[L5]
	YE88 1T5AA	1						E7	[T5]
9	XR88 1DVAA	1						E7	CUSHION, Rear Seat, 60%
	XR88 1L5AA	1						E7	[L5]
	XR88 1T5AA	1						E7	[T5]
10	5093 499AA	1						E7	PANEL, Seat Cushion Base, 40%
11	XR83 1DVAA	2						E7	HEADREST, Rear, Right
	XR83 1L5AA	2						E7	[L5]
	XR83 1T5AA	2						E7	[T5]
12	XR83 1DVAA	2						E7	HEADREST, Rear, Left
	XR83 1L5AA	2						E7	[L5]

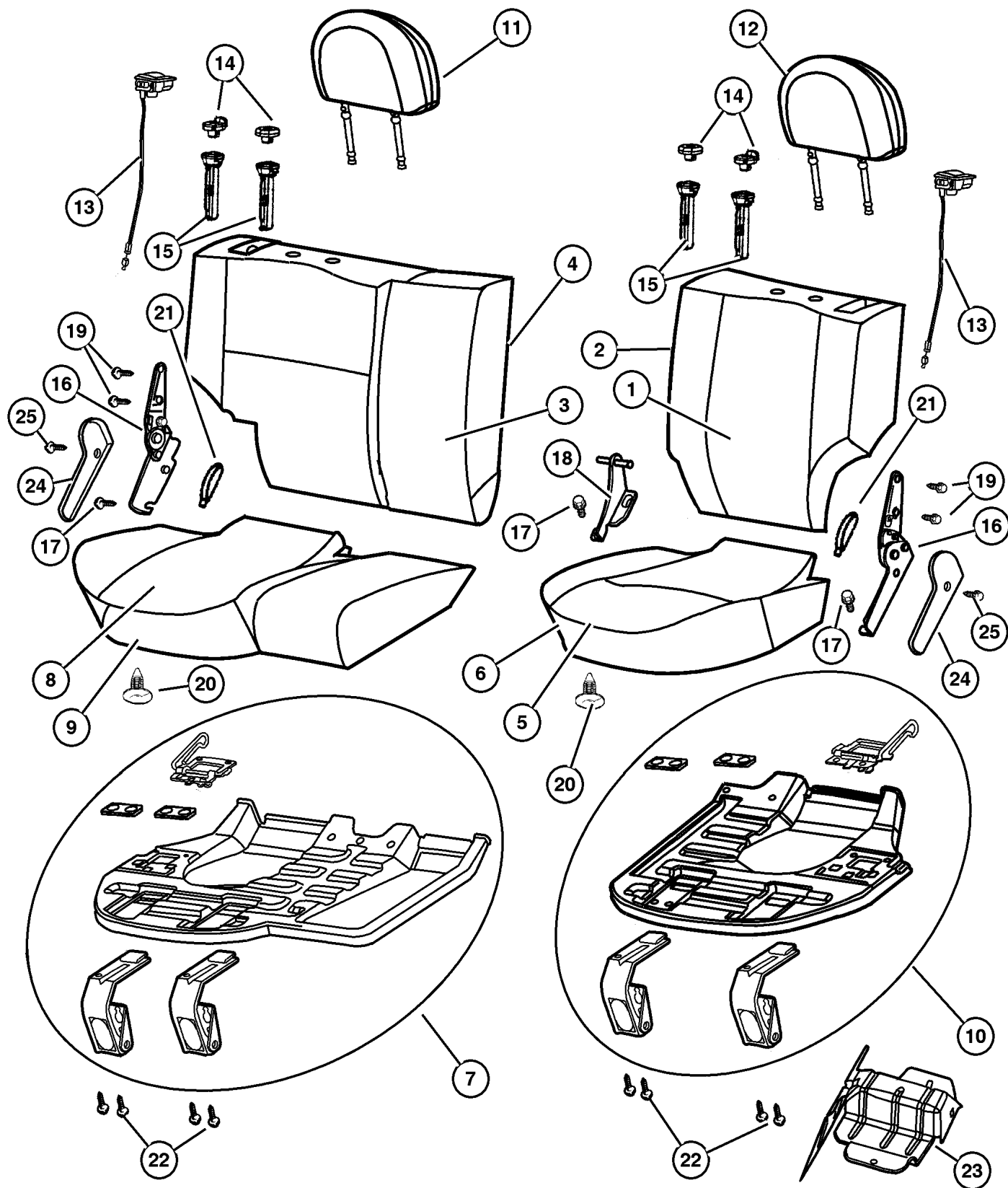
JEEP GRAND CHEROKEE (WJ)

SERIES	LINE	BODY	ENGINE	TRANSMISSION
H = Laredo	J = 4WD	74 = 4 Door	ERH = 4.0L, Power Tech I-6	DGK = 4 Speed Auto, 42RE
M = Sport	T = 2WD		EVA = 4.7L Power Tech V8	DGQ = 5 Speed Auto, 45RFE
P = Limited			EVC = 4.7L HO V8 MPI	DG0 = All Automatic Trans
S = Overland			ER0 = All 4.0L 6 Cyl Gas	
			EVO = All 4.7L Gas	

AR = Use as required - = Non illustrated part # = New this model year

December 1, 2003

Rear Seat, Trim Code [E7]
Figure IWJ-610



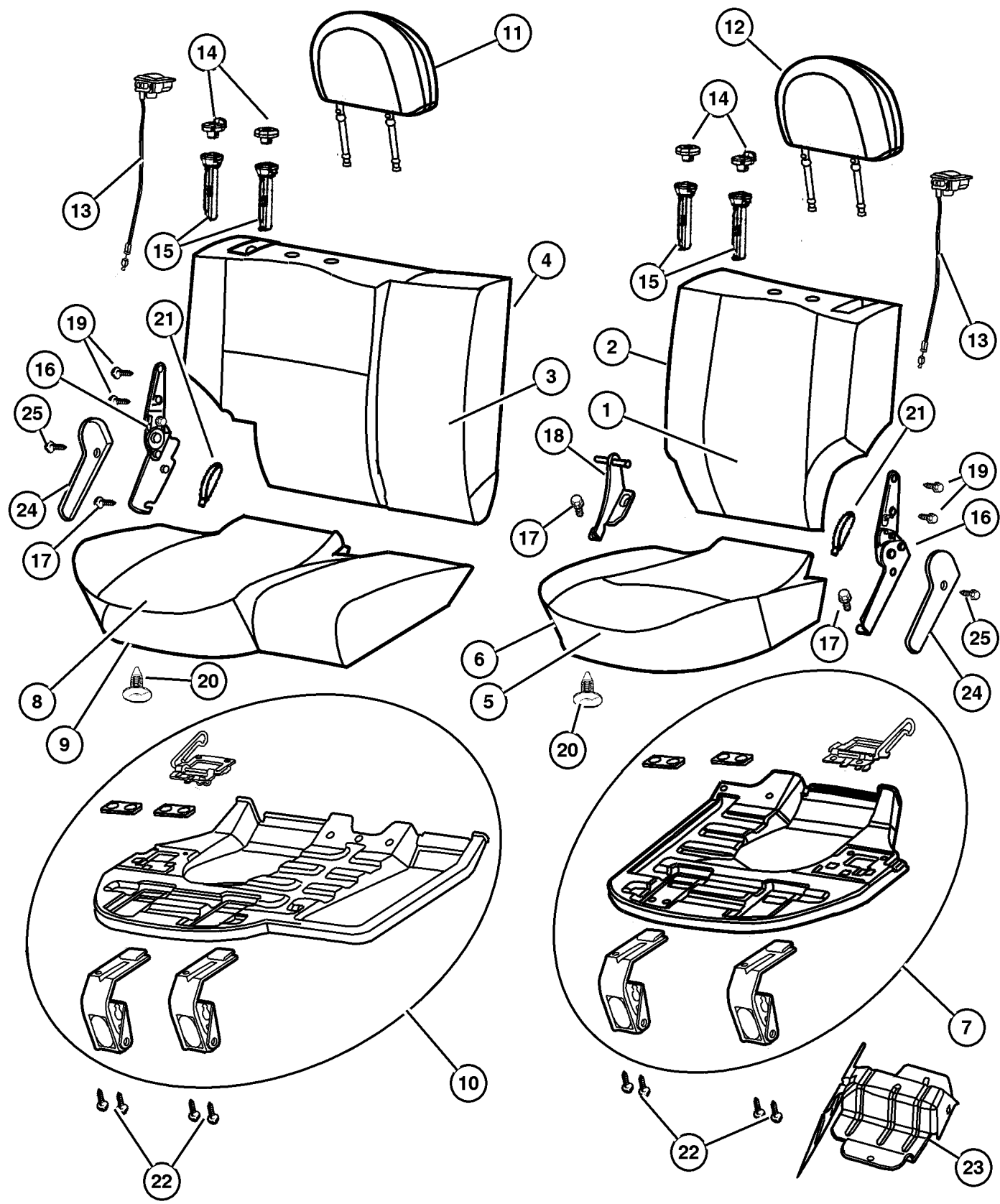
ITEM	PART NUMBER	QTY	LINE	SERIES	BODY	ENGINE	TRANS	TRIM	DESCRIPTION
	XR83 1T5AA	2						E7	[T5]
13	SX64 1DVAA	2						E7	[DV]
	SX64 1L5AA	2						E7	[L5]
	SX64 1T5AA	2						E7	[T5]
14	UK04 1DVAA	4						E7	[DV], Flush Button
	UK04 1L5AA	4						E7	[L5], Flush Button
	UK04 1T5AA	4						E7	[T5], Flush Button
	UK05 1DVAA	4						E7	[DV], Protruding Button
	UK05 1L5AA	4						E7	[L5], Protruding Button
	UK05 1T5AA	4						E7	[T5], Protruding Button
15	5013 152AA	2						E7	CYLINDER, Headrest
16	5093 500AA	1						E7	Right
	5093 501AA	1						E7	Left
17	6507 385AA	4							SCREW AND WASHER, Hex Head
18	5080 268AB	1						E7	BRACKET, Pivot
19	4720 768	4						E7	BOLT, Seat
20	5019 522AA	1						E7	RETAINER, Cushion Cover
21									STRAP, Seat Pull
	SL00 1DVAA	1						E7	[DV]
	SL00 1L5AA	1						E7	[L5]
	SL00 1T5AA	1						E7	[T5]
22	6100 558	8							BOLT AND CONED WASHER, Hex Head, M6x25x14
23	55196 740AC	1							BRACKET, Seat Rear Seat Cushion Latch, Right
	55196 741AF	1							Rear Seat Cushion Latch, Left
24	UN70 1DVAA	1						E7	[DV], Right
	UN70 1L5AA	1						E7	[L5], Right
	UN70 1T5AA	1						E7	[T5], Right
	UN71 1DVAA	1						E7	[DV], Left
	UN71 1L5AA	1						E7	[L5], Left
	UN71 1T5AA	1						E7	[T5], Left
25	5072 471AA	2						E7	RIVET
-26	6504 438	2							BOLT, Hex Flange Head, M8x35, Child Tether Attach

JEEP GRAND CHEROKEE (WJ)
 SERIES LINE BODY ENGINE TRANSMISSION
 H = Laredo J = 4WD 74 = 4 Door ERH = 4.0L, Power Tech I-6 DGK = 4 Speed Auto, 42RE
 M = Sport T = 2WD EVA = 4.7L Power Tech V8 DGQ = 5 Speed Auto, 45RFE
 P = Limited EVC = 4.7L HO V8 MPI DG0 = All Automatic Trans
 S = Overland ER0 = All 4.0L 6 Cyl Gas
 EVO = All 4.7L Gas

AR = Use as required - = Non illustrated part # = New this model year

December 1, 2003

Rear Seat, Trim Code [JL]
Figure IWJ-620



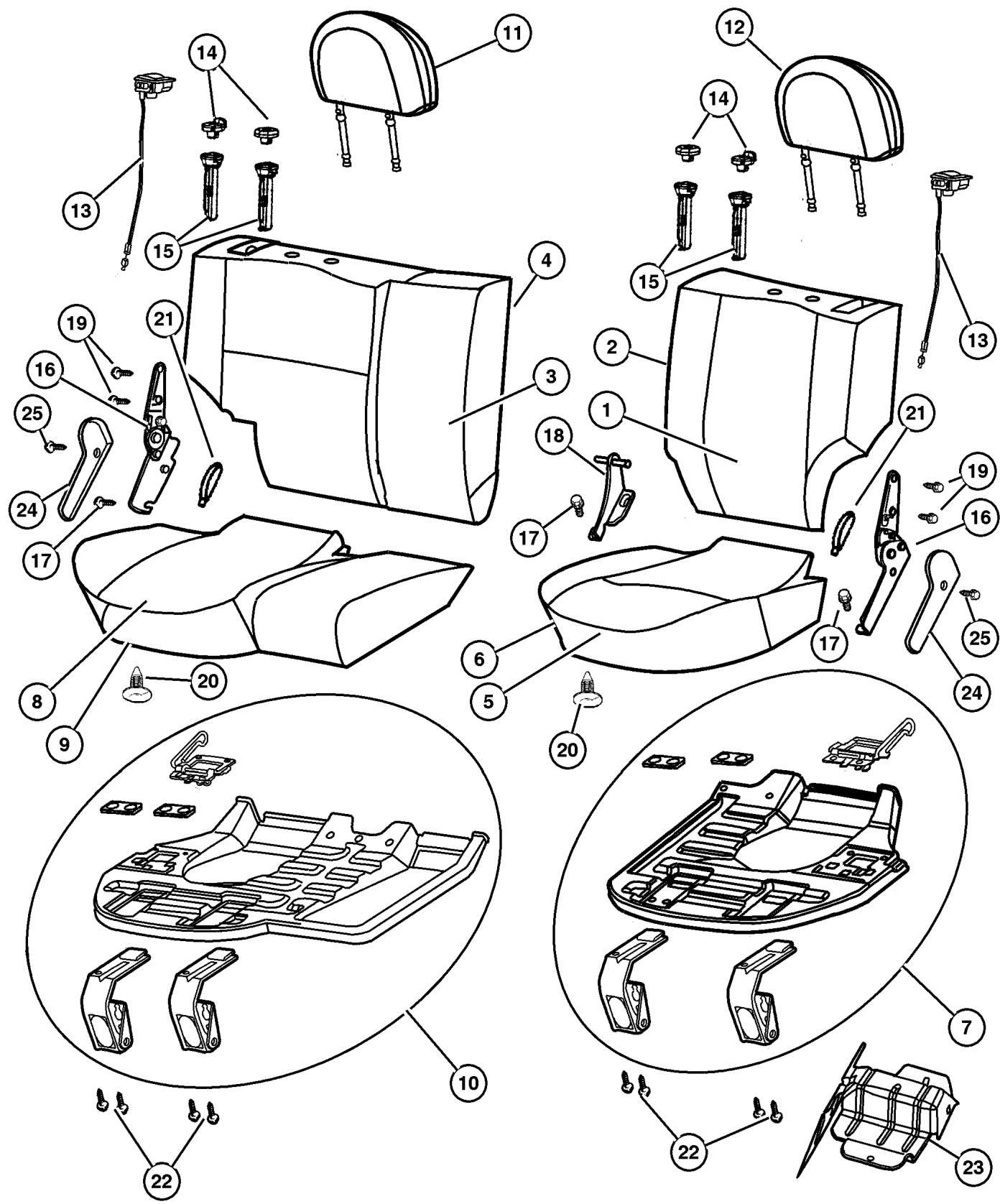
ITEM	PART NUMBER	QTY	LINE	SERIES	BODY	ENGINE	TRANS	TRIM	DESCRIPTION
1	XR75 1DVAA	1						JL	COVER, Rear Seat Back, 40% [DV]
	XR75 1L5AA	1						JL	[L5]
	XR75 1T5AA	1						JL	[T5]
2	XR73 1DVAA	1						JL	SEAT BACK, Rear, 40% [DV]
	XR73 1L5AA	1						JL	[L5]
	XR73 1T5AA	1						JL	[T5]
3	XR74 1DVAA	1						JL	COVER, Rear Seat Back, 60% [DV]
	XR74 1L5AA	1						JL	[L5]
	XR74 1T5AA	1						JL	[T5]
4	XR72 1DVAA	1						JL	SEAT BACK, Rear, 60% [DV]
	XR72 1L5AA	1						JL	[L5]
	XR72 1T5AA	1						JL	[T5]
5	WK33 1DVAA	1						JL	COVER, Rear Seat Cushion, 40% [DV]
	WK33 1L5AA	1						JL	[L5]
	WK33 1T5AA	1						JL	[T5]
6	XR71 1DVAA	1						JL	CUSHION, Rear Seat, 40% [DV]
	XR71 1L5AA	1						JL	[L5]
	XR71 1T5AA	1						JL	[T5]
7	5093 499AA	1					JL	PANEL, Seat Cushion Base, 40%	
8	WK32 1DVAA	1						JL	COVER, Rear Seat Cushion, 60% [DV]
	WK32 1L5AA	1						JL	[L5]
	WK32 1T5AA	1						JL	[T5]
9	XR70 1DVAA	1						JL	CUSHION, Rear Seat, 60% [DV]
	XR70 1L5AA	1						JL	[L5]
	XR70 1T5AA	1						JL	[T5]
10	5093 498AA	1					JL	PANEL, Seat Cushion Base, 60%	
11	XR69 1DVAA	1						JL	HEADREST, Rear, Right [DV]
	XR69 1L5AA	1						JL	[L5]
	XR69 1T5AA	1						JL	[T5]
12	XR69 1DVAA	1						JL	HEADREST, Rear, Left [DV]
	XR69 1L5AA	1						JL	[L5]

JEEP GRAND CHEROKEE (WJ)
 SERIES H = Laredo M = Sport P = Limited S = Overland
 LINE J = 4WD T = 2WD
 BODY 74 = 4 Door
 ENGINE ERH = 4.0L, Power Tech I-6
 EVA = 4.7L Power Tech V8
 EVC = 4.7L HO V8 MPI
 ER0 = All 4.0L 6 Cyl Gas
 EVO = All 4.7L Gas
 TRANSMISSION DGK = 4 Speed Auto, 42RE
 DGQ = 5 Speed Auto, 45RFE
 DG0 = All Automatic Trans

AR = Use as required - = Non illustrated part # = New this model year

December 1, 2003

Rear Seat, Trim Code [JL]
Figure IWJ-620

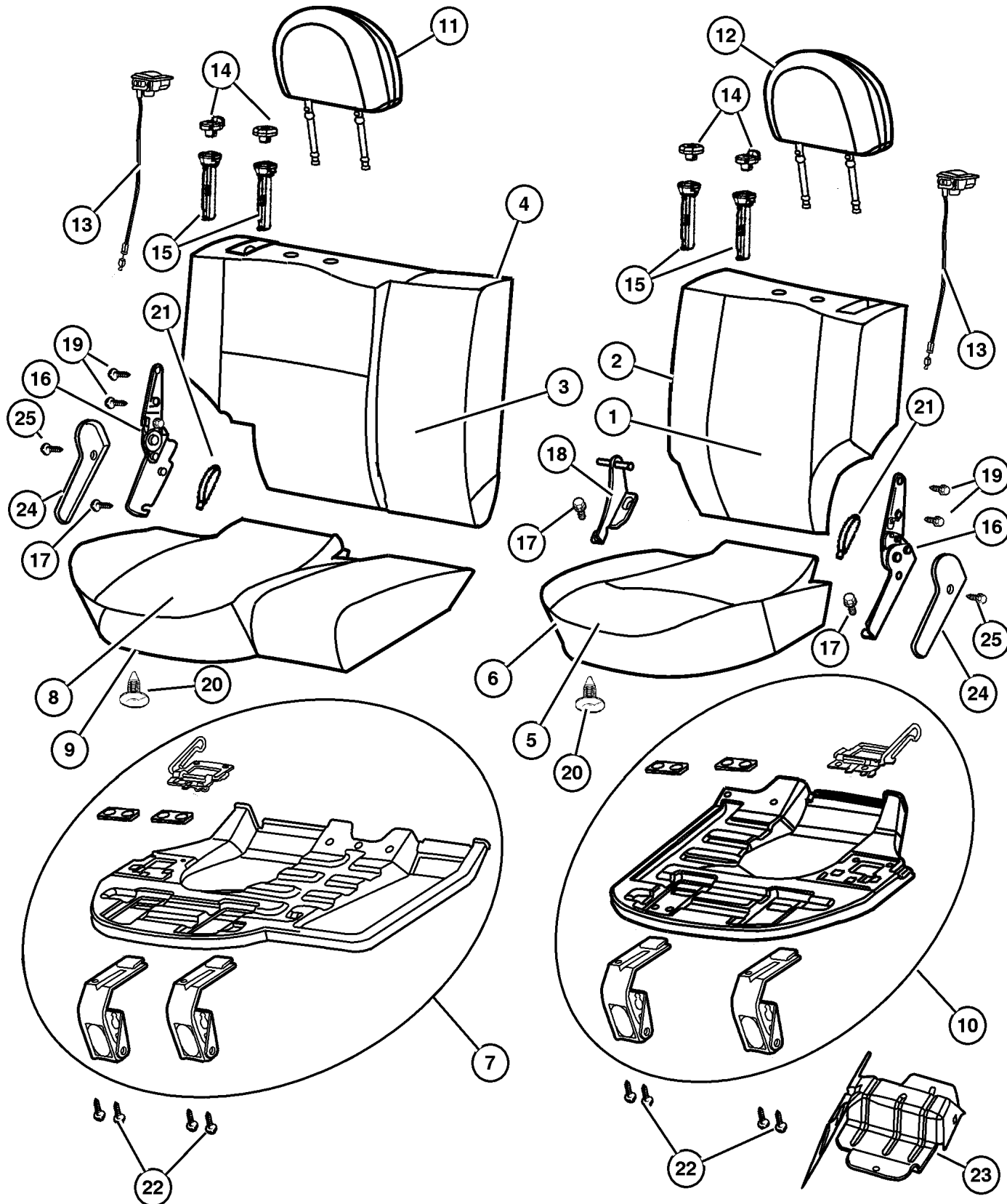


ITEM	PART NUMBER	QTY	LINE	SERIES	BODY	ENGINE	TRANS	TRIM	DESCRIPTION
	XR69 1T5AA	1						JL	[T5]
13	SX64 1DVAA	1						JL	[DV]
	SX64 1L5AA	1						JL	[L5]
	SX64 1T5AA	1						JL	[T5]
14	UK04 1DVAA	1						JL	[DV], Flush Button
	UK04 1L5AA	1						JL	[L5], Flush Button
	UK04 1T5AA	1						JL	[T5], Flush Button
	UK05 1DVAA	1						JL	[DV], Protruding Button
	UK05 1L5AA	1						JL	[L5], Protruding Button
	UK05 1T5AA	1						JL	[T5], Protruding Button
15	5013 152AA	1						JL	CYLINDER, Headrest
16	5093 500AA	1						JL	Right
	5093 501AA	1						JL	Left
17	6507 385AA	4							SCREW AND WASHER, Hex Head
18	5080 268AB	1						JL	BRACKET, Pivot
19	4720 768	1						JL	BOLT, Seat
20	5019 522AA	1						JL	RETAINER, Cushion Cover
21									STRAP, Seat Pull
	SL00 1DVAA	1						JL	[DV]
	SL00 1L5AA	1						JL	[L5]
	SL00 1T5AA	1						JL	[T5]
22	6100 558	8							BOLT AND CONED WASHER, Hex Head, M6x25x14
23	55196 740AC	1							BRACKET, Seat Rear Seat Cushion Latch, Right
	55196 741AF	1							Rear Seat Cushion Latch, Left
24	UN70 1DVAA	1						JL	[DV], Right
	UN70 1L5AA	1						JL	[L5], Right
	UN70 1T5AA	1						JL	[T5], Right
	UN71 1DVAA	1						JL	[DV], Left
	UN71 1L5AA	1						JL	[L5], Left
	UN71 1T5AA	1						JL	[T5], Left
25	5072 471AA	2						JL	RIVET

JEEP GRAND CHEROKEE (WJ)

SERIES	LINE	BODY	ENGINE	TRANSMISSION
H = Laredo	J = 4WD	74 = 4 Door	ERH = 4.0L, Power Tech I-6	DGK = 4 Speed Auto, 42RE
M = Sport	T = 2WD		EVA = 4.7L Power Tech V8	DGQ = 5 Speed Auto, 45RFE
P = Limited			EVC = 4.7L HO V8 MPI	DG0 = All Automatic Trans
S = Overland			ER0 = All 4.0L 6 Cyl Gas	
			EVO = All 4.7L Gas	

Rear Seat, Trim Code [XL]
Figure IWJ-630



ITEM	PART NUMBER	QTY	LINE	SERIES	BODY	ENGINE	TRANS	TRIM	DESCRIPTION
1	XR21 1DVAA	1						XL	COVER, Rear Seat Back, 40% [DV]
	XR21 1L5AA	1						XL	[L5]
	XR21 1T5AA	1						XL	[T5]
2	XR23 1DVAA	1						XL	SEAT BACK, Rear, 40% [DV]
	XR23 1L5AA	1						XL	[L5]
	XR23 1T5AA	1						XL	[T5]
3	XR20 1DVAA	1						XL	COVER, Rear Seat Back, 60% [DV]
	XR20 1L5AA	1						XL	[L5]
	XR20 1T5AA	1						XL	[T5]
4	XR22 1DVAA	1						XL	SEAT BACK, Rear, 60% [DV]
	XR22 1L5AA	1						XL	[L5]
	XR22 1T5AA	1						XL	[T5]
5	WN57 1DVAA	1						XL	COVER, Rear Seat Cushion, 40% [DV]
	WN57 1L5AA	1						XL	[L5]
	WN57 1T5AA	1						XL	[T5]
6	XR19 1DVAA	1						XL	CUSHION, Rear Seat, 40% [DV]
	XR19 1L5AA	1						XL	[L5]
	XR19 1T5AA	1						XL	[T5]
7	5093 498AA	1						XL	PANEL, Seat Cushion Base, 60%
8	WN56 1DVAA	1						XL	COVER, Rear Seat Cushion, 60% [DV]
	WN56 1L5AA	1						XL	[L5]
	WN56 1T5AA	1						XL	[T5]
9	XR18 1DVAA	1						XL	CUSHION, Rear Seat, 60% [DV]
	XR18 1L5AA	1						XL	[L5]
	XR18 1T5AA	1						XL	[T5]
10	5093 499AA	1						XL	PANEL, Seat Cushion Base, 40%
11	XR00 1DVAA	2						XL	HEADREST, Rear, Right [DV]
	XR00 1L5AA	2						XL	[L5]
	XR00 1T5AA	2						XL	[T5]
12	XR00 1DVAA	2						XL	HEADREST, Rear, Left [DV]
	XR00 1L5AA	2						XL	[L5]

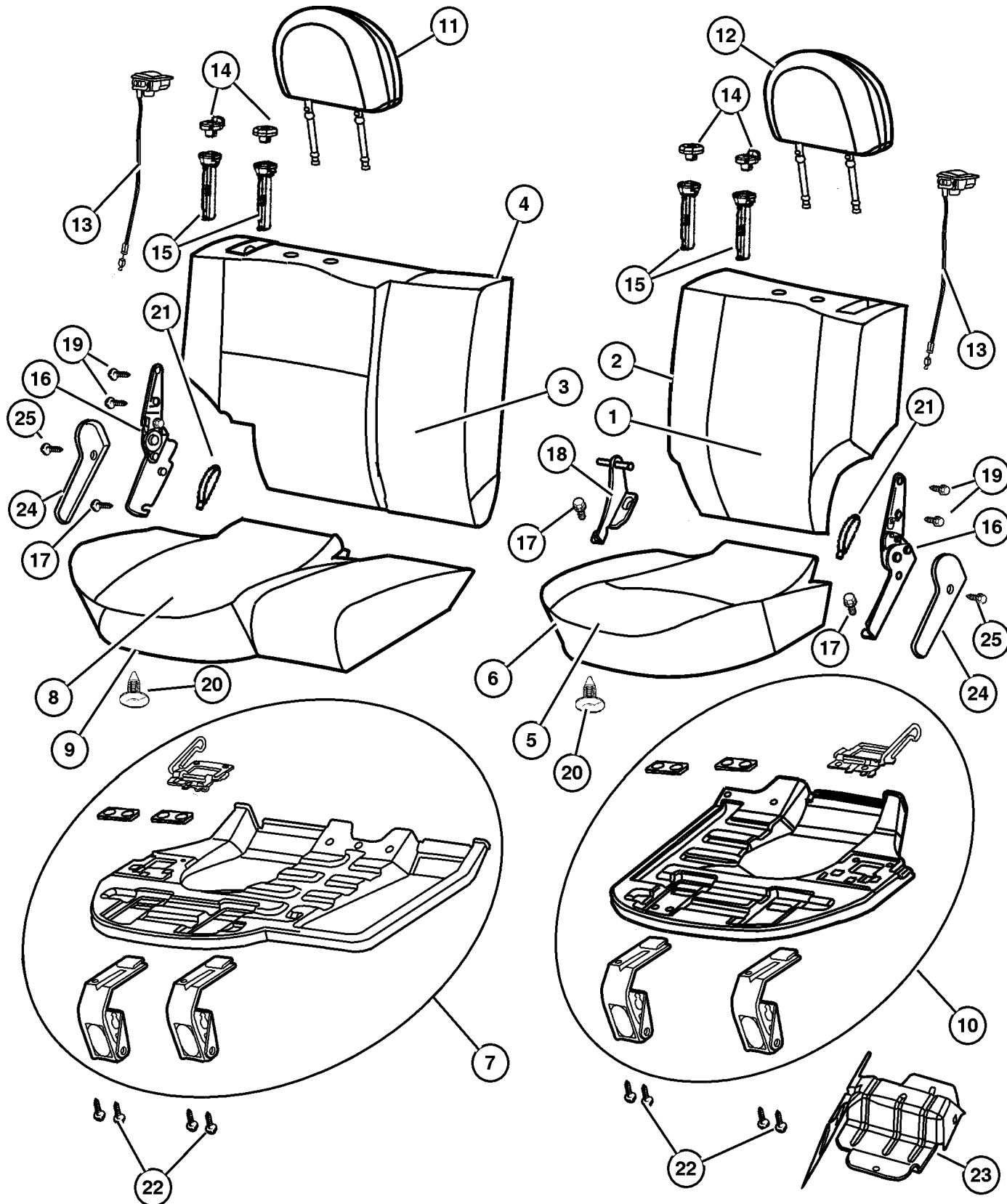
JEEP GRAND CHEROKEE (WJ)

SERIES	LINE	BODY	ENGINE	TRANSMISSION
H = Laredo	J = 4WD	74 = 4 Door	ERH = 4.0L, Power Tech I-6	DGK = 4 Speed Auto, 42RE
M = Sport	T = 2WD		EVA = 4.7L Power Tech V8	DGQ = 5 Speed Auto, 45RFE
P = Limited			EVC = 4.7L HO V8 MPI	DG0 = All Automatic Trans
S = Overland			ER0 = All 4.0L 6 Cyl Gas	
			EVO = All 4.7L Gas	

AR = Use as required - = Non illustrated part # = New this model year

December 1, 2003

Rear Seat, Trim Code [XL]
Figure IWJ-630



ITEM	PART NUMBER	QTY	LINE	SERIES	BODY	ENGINE	TRANS	TRIM	DESCRIPTION
	XR00 1T5AA	2						XL	[T5]
13	SX64 1DVAA	2						XL	[DV]
	SX64 1L5AA	2						XL	[L5]
	SX64 1T5AA	2						XL	[T5]
14	UK04 1DVAA	4						XL	[DV], Flush Button, Right
	UK04 1L5AA	4						XL	[L5], Flush Button, Right
	UK04 1T5AA	4						XL	[T5], Flush Button, Right
	UK05 1DVAA	4						XL	[DV], Protruding Button, Left
	UK05 1L5AA	4						XL	[L5], Protruding Button, Left
	UK05 1T5AA	4						XL	[T5], Protruding Button, Left
15	5013 152AA	8						XL	CYLINDER, Headrest
16	5093 500AA	1						XL	Right
	5093 501AA	1						XL	Left
17	6507 385AA	4							SCREW AND WASHER, Hex Head
18	5080 268AB	1						XL	BRACKET, Pivot
19	4720 768	4						XL	BOLT, Seat
20	5019 522AA	6						XL	RETAINER, Cushion Cover
21									STRAP, Seat Pull
	SL00 1DVAA	2						XL	[DV]
	SL00 1L5AA	2						XL	[L5]
	SL00 1T5AA	2						XL	[T5]
22	6100 558	8							BOLT AND CONED WASHER, Hex Head, M6x25x14
23	55196 740AC	1							BRACKET, Seat Rear Seat Cushion Latch, Right
	55196 741AF	1							Rear Seat Cushion Latch, Left
24	UN70 1DVAA	1						XL	[DV], Right
	UN70 1L5AA	1						XL	[L5], Right
	UN70 1T5AA	1						XL	[T5], Right
	UN71 1DVAA	1						XL	[DV], Left
	UN71 1L5AA	1						XL	[L5], Left
	UN71 1T5AA	1						XL	[T5], Left
25	5072 471AA	2						XL	RIVET

JEEP GRAND CHEROKEE (WJ)
 SERIES H = Laredo M = Sport P = Limited S = Overland
 LINE J = 4WD T = 2WD
 BODY 74 = 4 Door

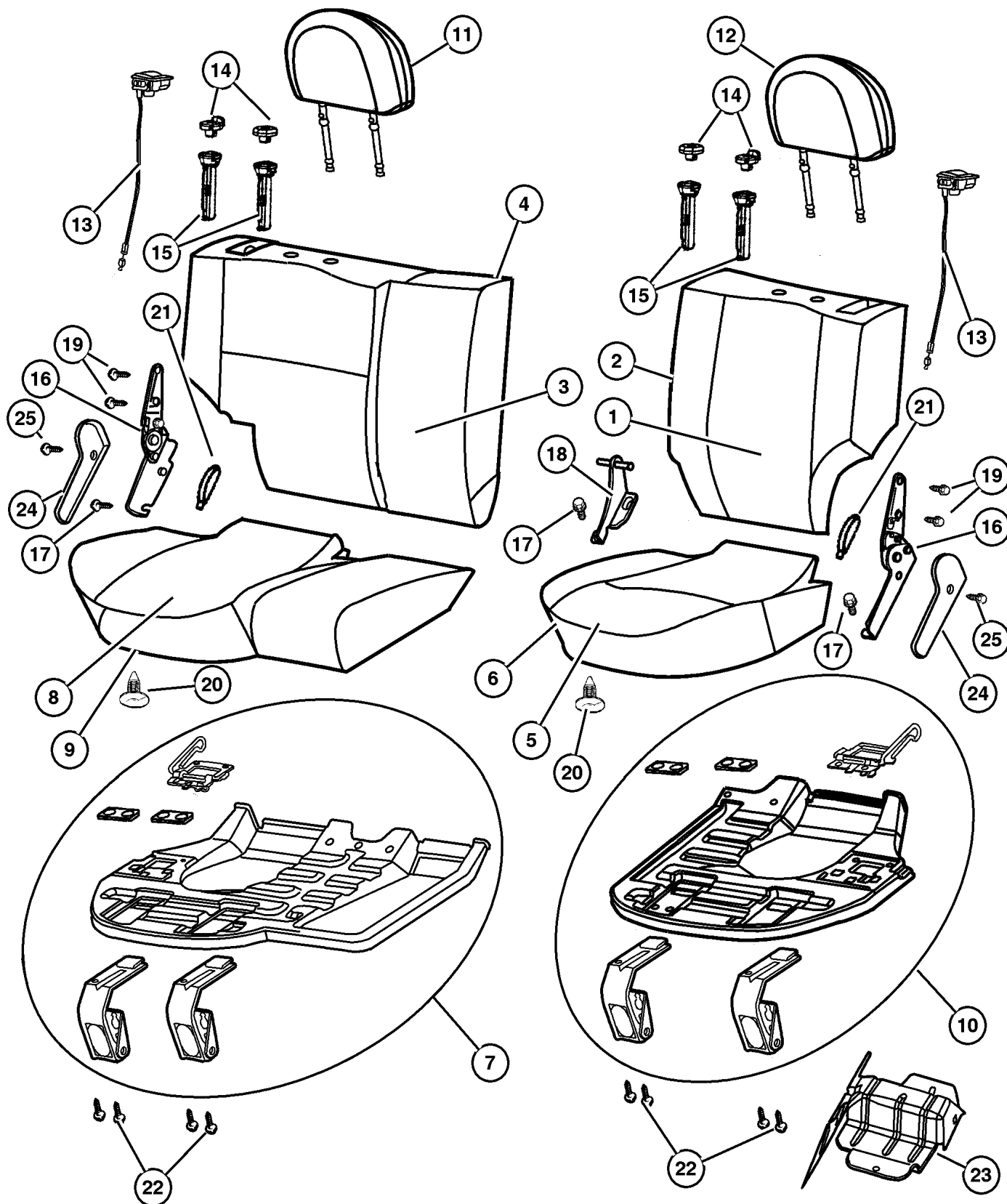
ENGINE
 ERH = 4.0L, Power Tech I-6
 EVA = 4.7L Power Tech V8
 EVC = 4.7L HO V8 MPI
 ER0 = All 4.0L 6 Cyl Gas
 EVO = All 4.7L Gas

TRANSMISSION
 DGK = 4 Speed Auto, 42RE
 DGQ = 5 Speed Auto, 45RFE
 DG0 = All Automatic Trans

AR = Use as required - = Non illustrated part # = New this model year

December 1, 2003

Rear Seat, Trim Code [TL]
Figure IWJ-640



ITEM	PART NUMBER	QTY	LINE	SERIES	BODY	ENGINE	TRANS	TRIM	DESCRIPTION
1	#YL99 1DVAA	1	J	S	74			TL	COVER, Rear Seat Back, 40%
2	#YL97 1DVAA	1	J	S	74			TL	SEAT BACK, Rear, 40%
3	#YL98 1DVAA	1	J	S	74			TL	COVER, Rear Seat Back, 60%
4	#YL96 1DVAA	1	J	S	74			TL	SEAT BACK, Rear, 60%
5	#YL95 1DVAA	1	J	S	74			TL	COVER, Rear Seat Cushion, 40%
6	#YL93 1DVAA	1	J	S	74			TL	CUSHION, Rear Seat, 40%
7	5093 498AA	1						TL	PANEL, Seat Cushion Base, 60%
8	#YL94 1DVAA	1	J	S	74			TL	COVER, Rear Seat Cushion, 60%
9	#YL92 1DVAA	1	J	S	74			TL	CUSHION, Rear Seat, 60%
10	5093 499AA	1						TL	PANEL, Seat Cushion Base, 40%
11	XU08 1DVAA	2						TL	HEADREST, Rear, Right
12	XU08 1DVAA	2						TL	HEADREST, Rear, Left
13	SX64 1DVAA	2						TL	CONTROL, SEAT RELEASE
14									COVER, Headrest Sleeve
	UK04 1DVAA	1						TL	Flush Button
	UK05 1DVAA	1						TL	Protruding Button
15	5013 152AA	2						TL	CYLINDER, Headrest
16									LATCH, Seat
	5093 500AA	1						TL	Right
	5093 501AA	1						TL	Left
17	6507 385AA	4							SCREW AND WASHER, Hex Head
18	5080 268AB	1						TL	BRACKET, Pivot
19	4720 768	4						TL	BOLT, Seat
20	5019 522AA	1						TL	RETAINER, Cushion Cover
21	SL00 1DVAA	2						TL	STRAP, Seat Pull
22	6100 558	8							BOLT AND CONED WASHER, Hex Head, M6x25x14
23									BRACKET, Seat
	55196 740AC	1							Rear Seat Cushion Latch, Right
	55196 741AF	1							Rear Seat Cushion Latch, Left
24									COVER, Seat latch
	UN70 1DVAA	1						TL	Right
	UN71 1DVAA	1						TL	Left
25	5072 471AA	1						TL	RIVET

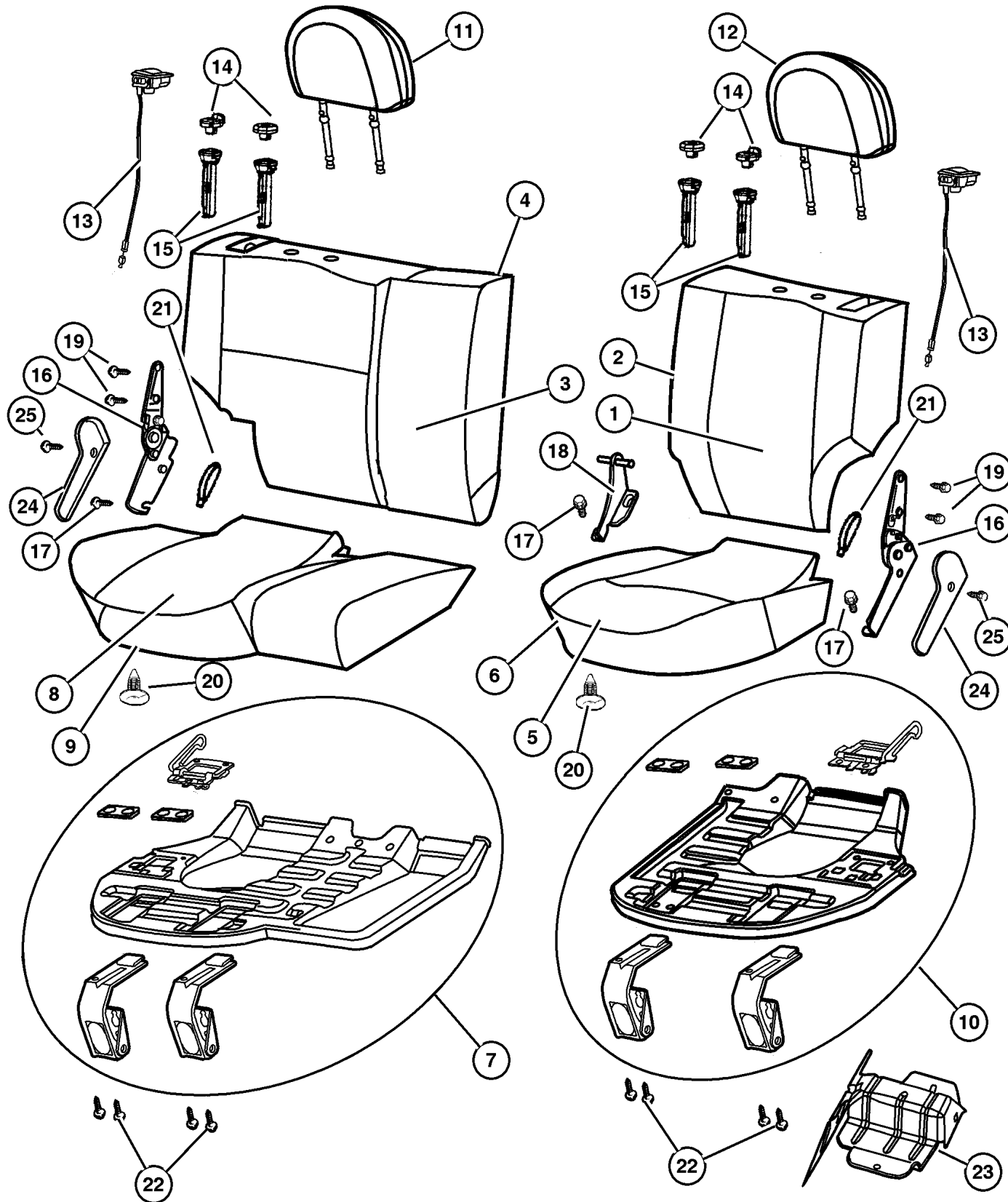
JEEP GRAND CHEROKEE (WJ)

SERIES	LINE	BODY	ENGINE	TRANSMISSION
H = Laredo	J = 4WD	74 = 4 Door	ERH = 4.0L, Power Tech I-6	DGK = 4 Speed Auto, 42RE
M = Sport	T = 2WD		EVA = 4.7L Power Tech V8	DGQ = 5 Speed Auto, 45RFE
P = Limited			EVC = 4.7L HO V8 MPI	DG0 = All Automatic Trans
S = Overland			ER0 = All 4.0L 6 Cyl Gas	
			EVO = All 4.7L Gas	

AR = Use as required - = Non illustrated part # = New this model year

December 1, 2003

Rear Seat, Trim Code [S5]
Figure IWJ-650



ITEM	PART NUMBER	QTY	LINE	SERIES	BODY	ENGINE	TRANS	TRIM	DESCRIPTION
1									COVER, Rear Seat Back, 40%
	XR91 1DVAA	1						S5	[DV]
	XR91 1L5AA	1						S5	[L5]
	XR91 1T5AA	1						S5	[T5]
2									SEAT BACK, Rear, 40%
	XR97 1DVAA	1						S5	[DV]
	XR97 1L5AA	1						S5	[L5]
	XR97 1T5AA	1						S5	[T5]
3									COVER, Rear Seat Back, 60%
	XR90 1DVAA	1						S5	[DV]
	XR90 1L5AA	1						S5	[L5]
	XR90 1T5AA	1						S5	[T5]
4									SEAT BACK, Rear, 60%
	XR96 1DVAA	1						S5	[DV]
	XR96 1L5AA	1						S5	[L5]
	XR96 1T5AA	1						S5	[T5]
5									COVER, Rear Seat Cushion, 40%
	YE89 1DVAA	1						S5	[DV]
	YE89 1L5AA	1						S5	[L5]
	YE89 1T5AA	1						S5	[T5]
6									CUSHION, Rear Seat, 40%
	XR89 1DVAA	1						S5	[DV]
	XR89 1L5AA	1						S5	[L5]
	XR89 1T5AA	1						S5	[T5]
7	5093 498AA	1						S5	PANEL, Seat Cushion Base, 60%
8									COVER, Rear Seat Cushion, 60%
	YE88 1DVAA	1						S5	[DV]
	YE88 1L5AA	1						S5	[L5]
	YE88 1T5AA	1						S5	[T5]
9									CUSHION, Rear Seat, 60%
	XR88 1DVAA	1						S5	[DV]
	XR88 1L5AA	1						S5	[L5]
	XR88 1T5AA	1						S5	[T5]
10	5093 499AA	1						S5	PANEL, Seat Cushion Base, 40%
11									HEADREST, Rear, Right
	XR83 1DVAA	1						S5	[DV]
	XR83 1L5AA	1						S5	[L5]
	XR83 1T5AA	1						S5	[T5]
12									HEADREST, Rear, Left
	XR83 1DVAA	1						S5	[DV]
	XR83 1L5AA	1						S5	[L5]

JEEP GRAND CHEROKEE (WJ)

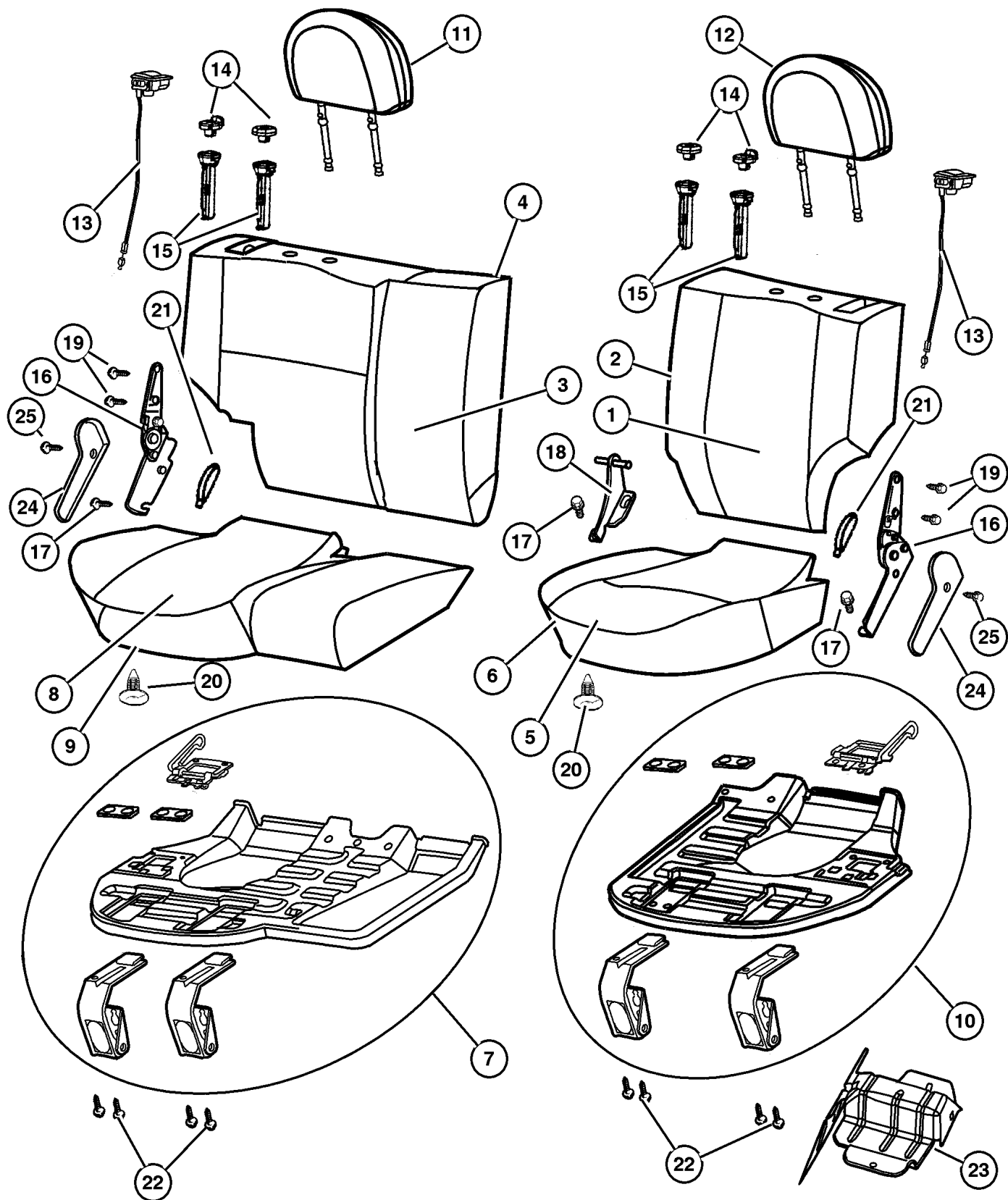
SERIES	LINE	BODY	ENGINE
H = Laredo	J = 4WD	74 = 4 Door	ERH = 4.0L, Power Tech I-6
M = Sport	T = 2WD		EVA = 4.7L Power Tech V8
P = Limited			EVC = 4.7L HO V8 MPI
S = Overland			ER0 = All 4.0L 6 Cyl Gas
			EVO = All 4.7L Gas

TRANSMISSION
 DGK = 4 Speed Auto, 42RE
 DGQ = 5 Speed Auto, 45RFE
 DG0 = All Automatic Trans

AR = Use as required - = Non illustrated part # = New this model year

December 1, 2003

Rear Seat, Trim Code [S5]
Figure IWJ-650



ITEM	PART NUMBER	QTY	LINE	SERIES	BODY	ENGINE	TRANS	TRIM	DESCRIPTION
	XR83 1T5AA	1						S5	[T5]
13	SX64 1DVAA	1						S5	[DV]
	SX64 1L5AA	1						S5	[L5]
	SX64 1T5AA	1						S5	[T5]
14	UK04 1DVAA	1						S5	[DV], Flush Button
	UK04 1L5AA	1						S5	[L5], Flush Button
	UK04 1T5AA	1						S5	[T5], Flush Button
	UK05 1DVAA	1						S5	[DV], Protruding Button
	UK05 1L5AA	1						S5	[L5], Protruding Button
	UK05 1T5AA	1						S5	[T5], Protruding Button
15	5013 152AA	2						S5	CYLINDER, Headrest
16	5093 500AA	1						S5	Right
	5093 501AA	1						S5	Left
17	6507 385AA	4							SCREW AND WASHER, Hex Head
18	5080 268AB	1						S5	BRACKET, Pivot
19	4720 768	1						S5	BOLT, Seat
20	5019 522AA	1						S5	RETAINER, Cushion Cover
21									STRAP, Seat Pull
	SL00 1DVAA	1						S5	[DV]
	SL00 1L5AA	1						S5	[L5]
	SL00 1T5AA	1						S5	[T5]
22	6100 558	8							BOLT AND CONED WASHER, Hex Head, M6x25x14
23	55196 740AC	1							BRACKET, Seat Rear Seat Cushion Latch, Right
	55196 741AF	1							BRACKET, Seat Rear Seat Cushion Latch, Left
24	UN70 1DVAA	1						S5	[DV], Right
	UN70 1L5AA	1						S5	[L5], Right
	UN70 1T5AA	1						S5	[T5], Right
	UN71 1DVAA	1						S5	[DV], Left
	UN71 1L5AA	1						S5	[L5], Left
	UN71 1T5AA	1						S5	[T5], Left
25	5072 471AA	1						S5	RIVET

JEEP GRAND CHEROKEE (WJ)
 SERIES LINE BODY ENGINE TRANSMISSION
 H = Laredo J = 4WD 74 = 4 Door ERH = 4.0L, Power Tech I-6
 M = Sport T = 2WD EVA = 4.7L Power Tech V8
 P = Limited EVC = 4.7L HO V8 MPI
 S = Overland ER0 = All 4.0L 6 Cyl Gas
 EVO = All 4.7L Gas

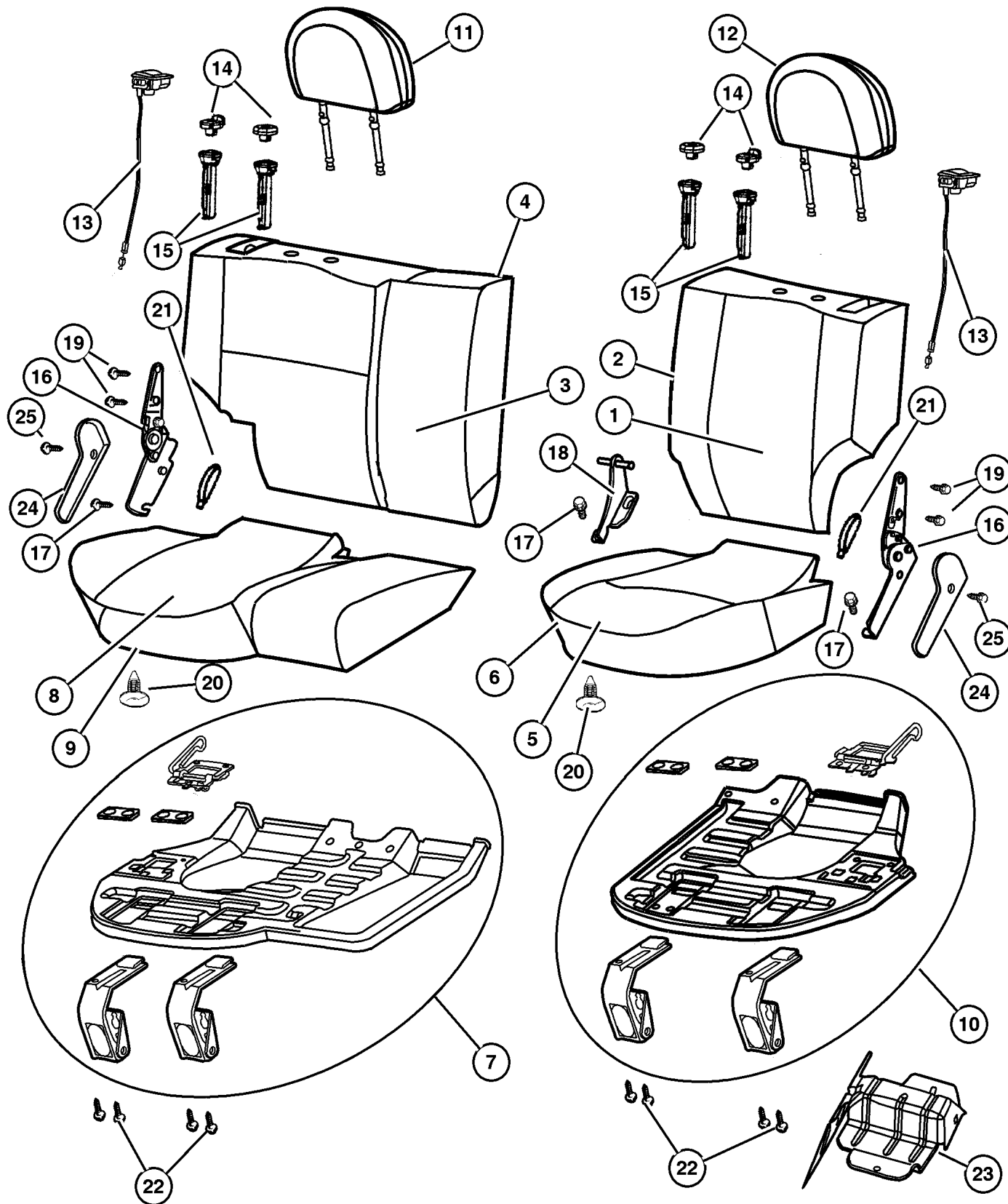
ENGINE
 ERH = 4.0L, Power Tech I-6
 EVA = 4.7L Power Tech V8
 EVC = 4.7L HO V8 MPI
 ER0 = All 4.0L 6 Cyl Gas
 EVO = All 4.7L Gas

TRANSMISSION
 DGK = 4 Speed Auto, 42RE
 DGQ = 5 Speed Auto, 45RFE
 DG0 = All Automatic Trans

AR = Use as required - = Non illustrated part # = New this model year

December 1, 2003

Rear Seat, Trim Code [T5]
Figure IWJ-660



ITEM	PART NUMBER	QTY	LINE	SERIES	BODY	ENGINE	TRANS	TRIM	DESCRIPTION
1	XR91 1DVAA	1						T5	COVER, Rear Seat Back, 40%
2	XR97 1DVAA	1						T5	SEAT BACK, Rear, 40%
3	XR90 1DVAA	1						T5	COVER, Rear Seat Back, 60%
4	XR96 1DVAA	1						T5	SEAT BACK, Rear, 60%
5	YE89 1DVAA	1						T5	COVER, Rear Seat Cushion, 40%
6	XR89 1DVAA	1						T5	CUSHION, Rear Seat, 40%
7	5093 498AA	1						T5	PANEL, Seat Cushion Base, 60%
8	YE88 1DVAA	1						T5	COVER, Rear Seat Cushion, 60%
9	XR88 1DVAA	1						T5	CUSHION, Rear Seat, 60%
10	5093 499AA	1						T5	PANEL, Seat Cushion Base, 40%
11	XR83 1DVAA	2						T5	HEADREST, Rear, Right
12	XR83 1DVAA	2						T5	HEADREST, Rear, Left
13	SX64 1DVAA	1						T5	CONTROL, SEAT RELEASE
14									COVER, Headrest Sleeve
	UK04 1DVAA	1						T5	Flush Button
	UK05 1DVAA	1						T5	Protruding Button
15	5013 152AA	2						T5	CYLINDER, Headrest
16									LATCH, Seat
	5093 500AA	1						T5	Right
	5093 501AA	1						T5	Left
17	6507 385AA	4							SCREW AND WASHER, Hex Head
18	5080 268AB	1						T5	BRACKET, Pivot
19	4720 768	4						T5	BOLT, Seat
20	5019 522AA	1						T5	RETAINER, Cushion Cover
21	SL00 1DVAA	1						T5	STRAP, Seat Pull
22	6100 558	8							BOLT AND CONED WASHER, Hex Head, M6x25x14
23									BRACKET, Seat
	55196 740AC	1							Rear Seat Cushion Latch, Right
	55196 741AF	1							Rear Seat Cushion Latch, Left
24									COVER, Seat latch
	UN70 1DVAA	1						T5	Right
	UN71 1DVAA	1						T5	Left
25	5072 471AA	1						T5	RIVET

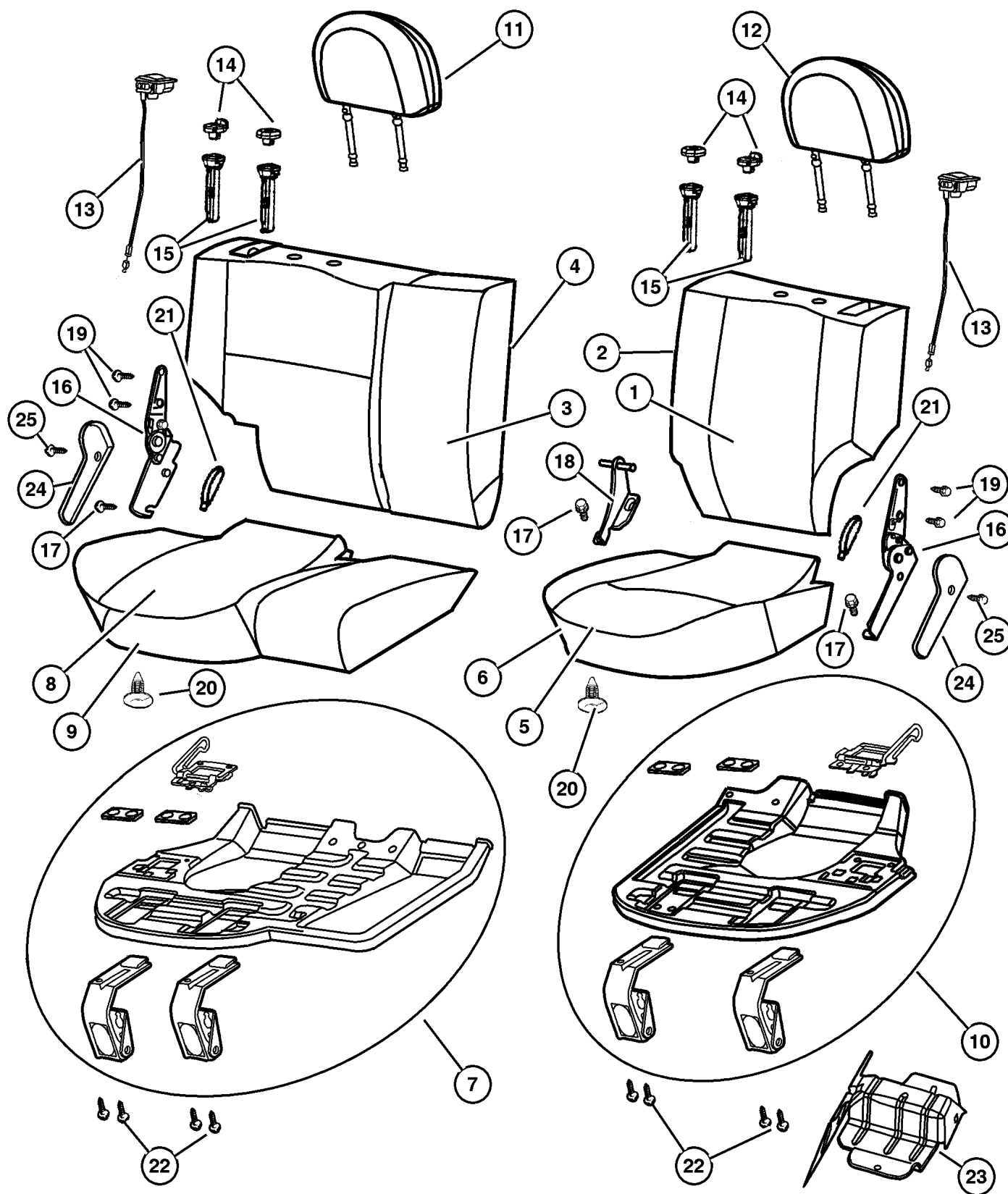
JEEP GRAND CHEROKEE (WJ)

SERIES	LINE	BODY	ENGINE	TRANSMISSION
H = Laredo	J = 4WD	74 = 4 Door	ERH = 4.0L, Power Tech I-6	DGK = 4 Speed Auto, 42RE
M = Sport	T = 2WD		EVA = 4.7L Power Tech V8	DGQ = 5 Speed Auto, 45RFE
P = Limited			EVC = 4.7L HO V8 MPI	DG0 = All Automatic Trans
S = Overland			ER0 = All 4.0L 6 Cyl Gas	
			EVO = All 4.7L Gas	

AR = Use as required - = Non illustrated part # = New this model year

December 1, 2003

Rear Seat, Trim Code [L7]
Figure IWJ-670



ITEM	PART NUMBER	QTY	LINE	SERIES	BODY	ENGINE	TRANS	TRIM	DESCRIPTION
1	#1AC61 1DVAA	1						L7	COVER, Rear Seat Back, 40%
2	#1AC63 1DVAA	1						L7	SEAT BACK, Rear, 40%
3	#1AC60 1DVAA	1						L7	COVER, Rear Seat Back, 60%
4	#1AC62 1DVAA	1						L7	SEAT BACK, Rear, 60%
5	#1AC57 1DVAA	1						L7	COVER, Rear Seat Cushion, 40%
6	#1AC59 1DVAA	1						L7	CUSHION, Rear Seat, 40%
7	5093 498AA	1						L7	PANEL, Seat Cushion Base, 60%
8	#1AC56 1DVAA	1						L7	COVER, Rear Seat Cushion, 60%
9	#1AC58 1DVAA	1						L7	CUSHION, Rear Seat, 60%
10	5093 499AA	1						L7	PANEL, Seat Cushion Base, 40%
11	#1AG92 1DVAA	2						L7	HEADREST, Rear, Right
12	#1AG92 1DVAA	2						L7	HEADREST, Rear, Left
13	SX64 1DVAA	1						L7	CONTROL, SEAT RELEASE
14									COVER, Headrest Sleeve
	UK04 1DVAA	1						L7	Flush Button
	UK05 1DVAA	1						L7	Protruding Button
15	5013 152AA	2						L7	CYLINDER, Headrest
16									LATCH, Seat
	5093 501AA	1						L7	Left
	5093 500AA	1						L7	Right
17	6507 385AA	4							SCREW AND WASHER, Hex Head
18	5080 268AB	1						L7	BRACKET, Pivot
19	4720 768	4						L7	BOLT, Seat
20	5019 522AA	1						L7	RETAINER, Cushion Cover
21	SL00 1DVAA	1						L7	STRAP, Seat Pull
22	6100 558	8							BOLT AND CONED WASHER, Hex Head, M6x25x14
23									BRACKET, Seat
	55196 740AC	1							Rear Seat Cushion Latch, Right
	55196 741AF	1							Rear Seat Cushion Latch, Left
24									COVER, Seat latch
	UN70 1DVAA	1						L7	Right
	UN71 1DVAA	1						L7	Left
25	5072 471AA	1						L7	RIVET
-26	6504 438	2							BOLT, Hex Flange Head, M8x35, Child Tether Attach

JEEP GRAND CHEROKEE (WJ)
 SERIES H = Laredo M = Sport P = Limited S = Overland
 LINE J = 4WD T = 2WD

BODY
74 = 4 Door

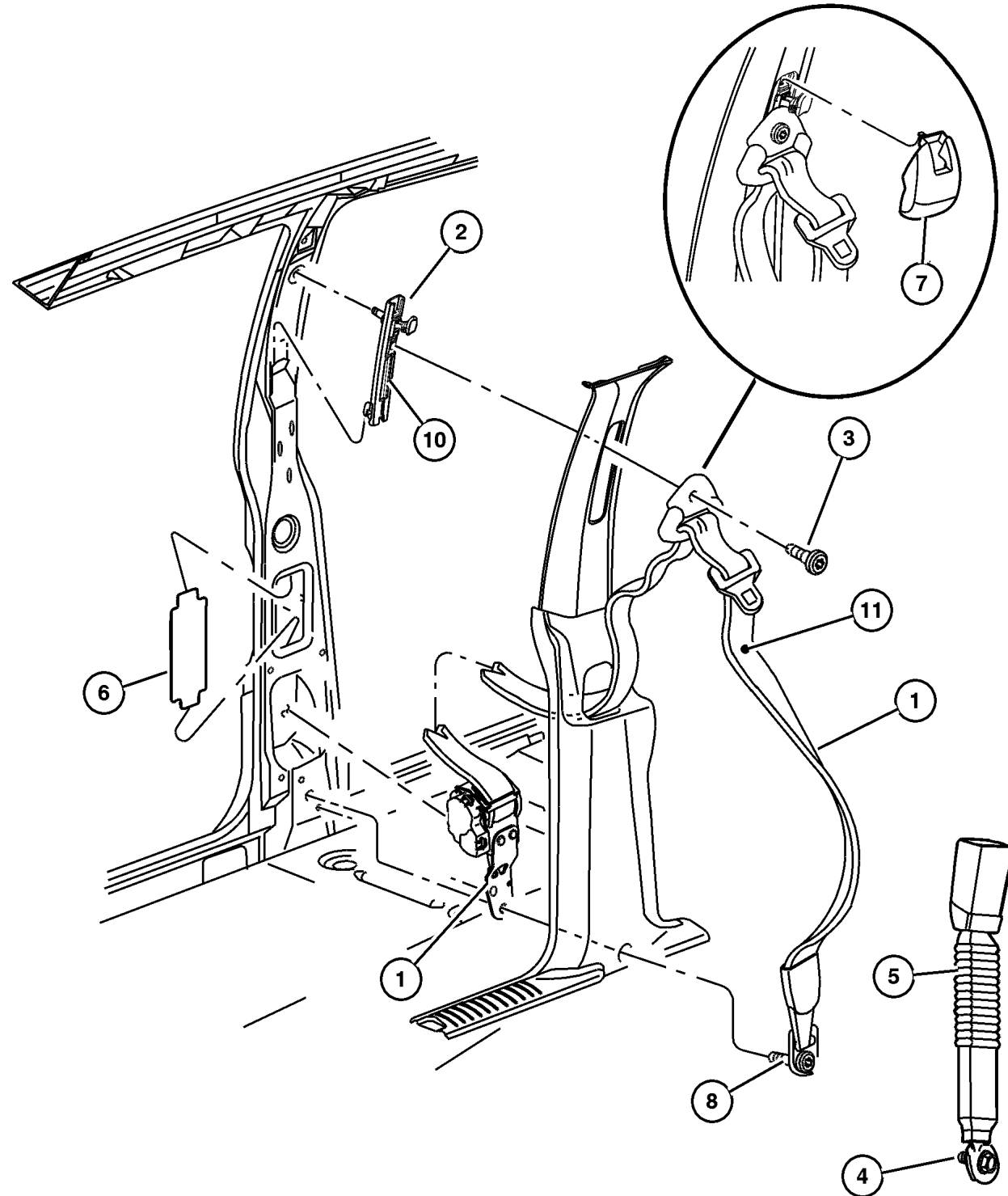
ENGINE
 ERH = 4.0L, Power Tech I-6
 EVA = 4.7L Power Tech V8
 EVC = 4.7L HO V8 MPI
 ER0 = All 4.0L 6 Cyl Gas
 EVO = All 4.7L Gas

TRANSMISSION
 DGK = 4 Speed Auto, 42RE
 DGQ = 5 Speed Auto, 45RFE
 DG0 = All Automatic Trans

AR = Use as required - = Non illustrated part # = New this model year

December 1, 2003

**Front Seat
Figure IWJ-710**



ITEM	PART NUMBER	QTY	LINE	SERIES	BODY	ENGINE	TRANS	TRIM	DESCRIPTION
1	5GX99 1L5AD	1							SEAT BELT, Front Outer
	5GX99 XDVAD	1							[L5], Left
	5GX99 XT5AD	1							[DB, DV], Left
	5GY02 1L5AD	1							[T5], Left
	5GY02 XDVAD	1							[L5], Right
	5GY02 XT5AD	1							[DB, DV], Right
2	5HP56 TL2AD	2							ADJUSTER, Seat Belt Turning Loop
	5HP56 XDBAD	2							[DV, L5]
	5HP56 XT5AD	2							[DB]
3	6035 888	2						SCREW, Shoulder	
4	6505 882AA	1						SCREW	
5	5JQ22 1DVAA	1							SEAT BELT, Front Inner
	5JQ22 1L5AA	1							[DB, DV], Right
	5JQ22 1T5AA	1							[L5], Right
	5GY00 1DVAC	1							[T5], Right
	5GY00 1L5AC	1							[DB, DV], Left
	5GY00 1T5AC	1							[L5], Left
6	55116 545AB	2						SHIELD, Seat Belt Retractor	
7	5GZ63 TL2AB	2							COVER, Adjustable Turning Loop
	5GZ63 XDBAB	2							[L5, DV]
	5GZ63 XT5AB	2							[DB]
8	6504 867AA	1						SCREW	
-9	5018 505AA	AR						EXTENDER, Seat Belt	
10	5HD92 TL2AD	1							ADJUSTER, Seat Belt Turning Loop,
	5HD92 XDBAD	1							Slider
	5HD92 XT5AD	1							[L5, DV]
									[DB]
11	5093 280AA	1							BUTTON, BELT WEBBING
	5093 282AA	1							[DB, DV]
	5093 283AA	1							[L5]

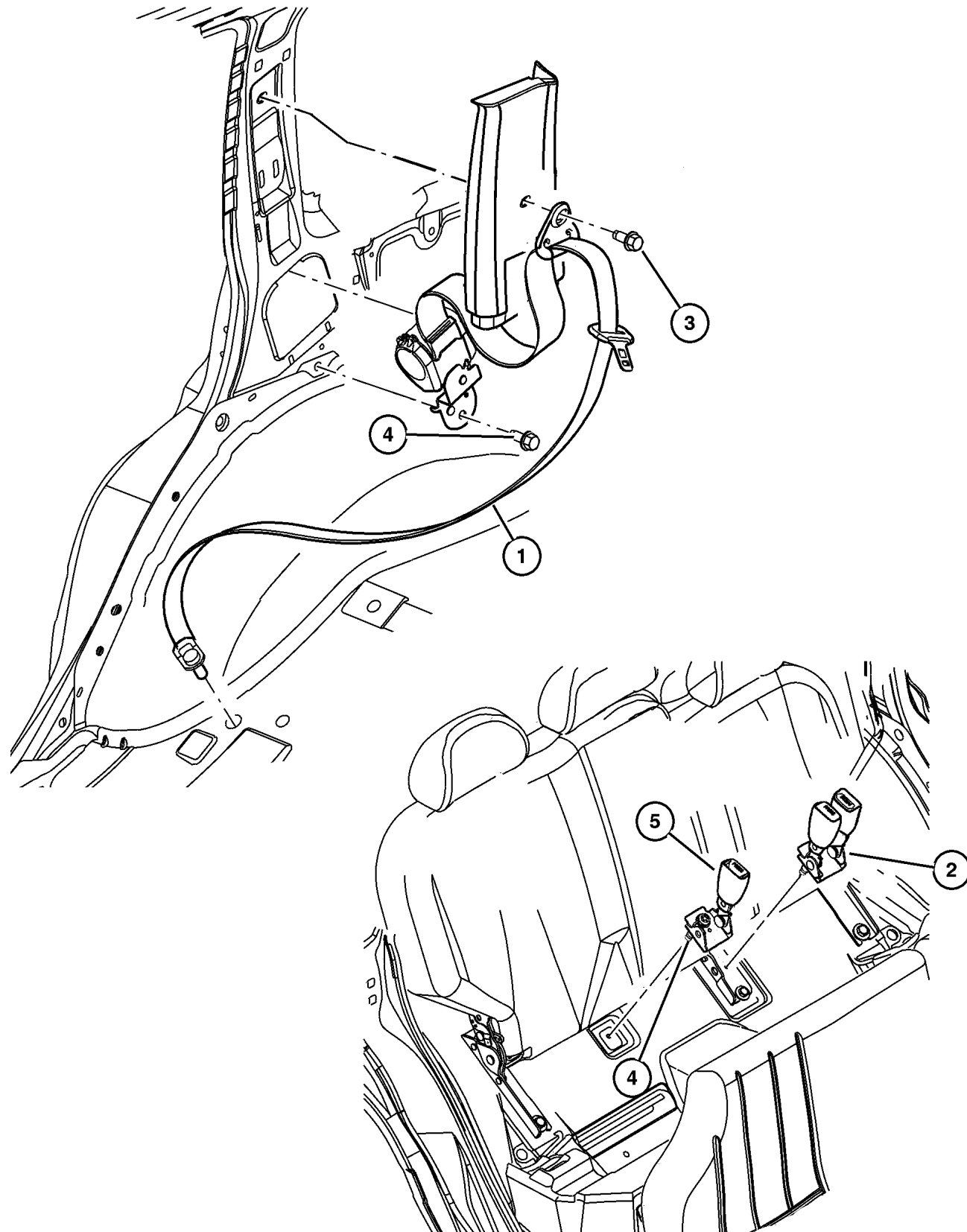
JEEP GRAND CHEROKEE (WJ)

SERIES	LINE	BODY	ENGINE	TRANSMISSION
H = Laredo	J = 4WD	74 = 4 Door	ERH = 4.0L, Power Tech I-6	DGK = 4 Speed Auto, 42RE
M = Sport	T = 2WD		EVA = 4.7L Power Tech V8	DGQ = 5 Speed Auto, 45RFE
P = Limited			EVC = 4.7L HO V8 MPI	DG0 = All Automatic Trans
S = Overland			ER0 = All 4.0L 6 Cyl Gas	
			EVO = All 4.7l Gas	

AR = Use as required - = Non illustrated part # = New this model year

December 1, 2003

Rear Seat Belt Figure IWJ-720



ITEM	PART NUMBER	QTY	LINE	SERIES	BODY	ENGINE	TRANS	TRIM	DESCRIPTION
1									SEAT BELT, Rear Outer
	5GY04 1L5AD	1							[L5], Right
	5GY04 XDVAD	1							[DV, L5], Right
	5GY04 XT5AD	1							[T5], Right
	5GY05 1L5AD	1							[L5], Left
	5GY05 XDVAD	1							[DV, L5], Left
	5GY05 XT5AD	1							[T5], Left
2									SEAT BELT, Rear Inner, Left
	5GY09 1DVAE	1							[DB, DV], Up to 5/27/03
	5GY09 1L5AE	1							[L5], Up to 5/27/03
	5GY09 1T5AE	1							[T5], Up to 5/27/03
	#5GY09 1DVAF	1							[DB, DV], After 5/27/03
	#5GY09 1L5AF	1							[L5], After 5/27/03
	#5GY09 1T5AF	1							[T5], After 5/27/03
3	6036 294AA	2							BOLT, Shoulder
4	6507 855AA	1							BOLT, Seat Belt
5									SEAT BELT, Rear Inner, Right
	5GY08 1DVAE	1							[DB, DV], Up to 5/27/03
	5GY08 1L5AE	1							[L5], Up to 5/27/03
	5GY08 1T5AE	1							[T5], Up to 5/27/03
	#5GY08 1DVAF	1							[DB, DV], After 5/27/03
	#5GY08 1L5AF	1							[L5], After 5/27/03
	#5GY08 1T5AF	1							[T5], After 5/27/03

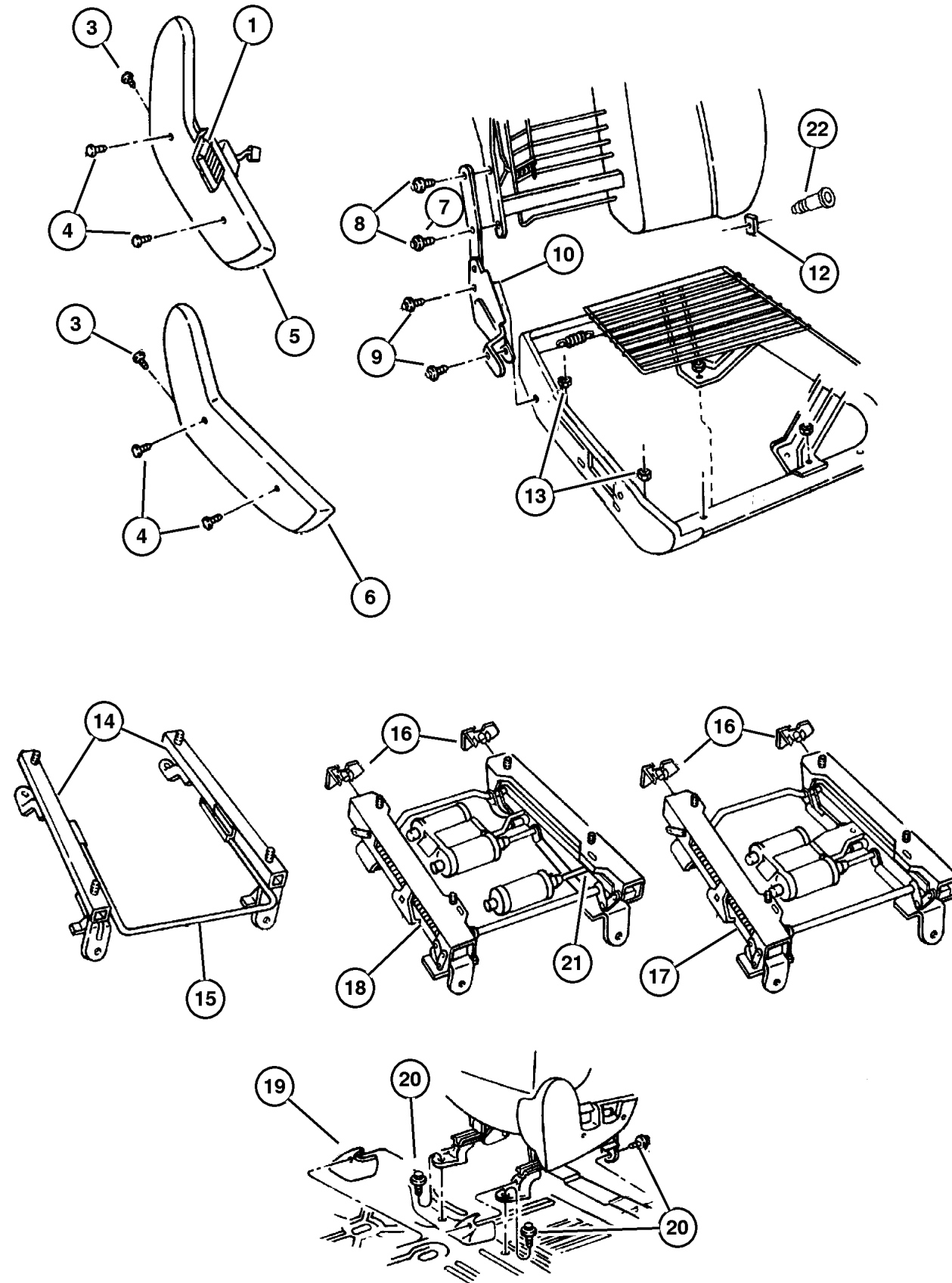
JEEP GRAND CHEROKEE (WJ)

SERIES	LINE	BODY	ENGINE	TRANSMISSION
H = Laredo	J = 4WD	74 = 4 Door	ERH = 4.0L, Power Tech I-6	DGK = 4 Speed Auto, 42RE
M = Sport	T = 2WD		EVA = 4.7L Power Tech V8	DGQ = 5 Speed Auto, 45RFE
P = Limited			EVC = 4.7L HO V8 MPI	DG0 = All Automatic Trans
S = Overland			ER0 = All 4.0L 6 Cyl Gas	
			EVO = All 4.7l Gas	

AR = Use as required - = Non illustrated part # = New this model year

December 1, 2003

Recliner and Adjusters Figure IWJ-810



ITEM	PART NUMBER	QTY	LINE	SERIES	BODY	ENGINE	TRANS	TRIM	DESCRIPTION
1									SWITCH, Seat
	4373 666	2						E7	6 Way Power, Without Power Recliner
	4601 756AB	1						XL	10 Way Power, With Power Recliner, Right
	4373 666	2						JL	6 Way Power, Without Power Recliner
		2						L7	6 Way Power, Without Power Recliner
		2						S5	6 Way Power, Without Power Recliner
		2						T5	6 Way Power, Without Power Recliner
	4601 756AB	1						TL	10 Way Power, With Power Recliner, Right
	4601 757AB	1						TL	10 Way Power, With Power Recliner, Left
	4373 666	1						XL	6 Way Power, Without Power Recliner, Right
	4601 757AB	1						XL	10 Way Power, With Power Recliner, Left
-2									KNOB, Power Seat Switch
	4607 042AB	1						TL	Right
	4607 043AB	1						TL	Left
		1						XL	Left
	4607 042AB	1						XL	Right
3									SCREW, Trim
	4720 769	2						T5	
		2						TL	
4									SCREW, Trim
	4720 770	4						E7	
		4						JL	
		4						L7	
		4						S5	
		4						T5	
		4						TL	
		4						XL	
5									SHIELD, Seat Adjuster
	SL07 1T5AA	1						E7	[T5], 6 Way Power, Left
	SL06 1T5AA	1						JL	[T5], 6 Way Power, Right
	SL06 1L5AA	1						JL	[L5], 6 Way Power, Right

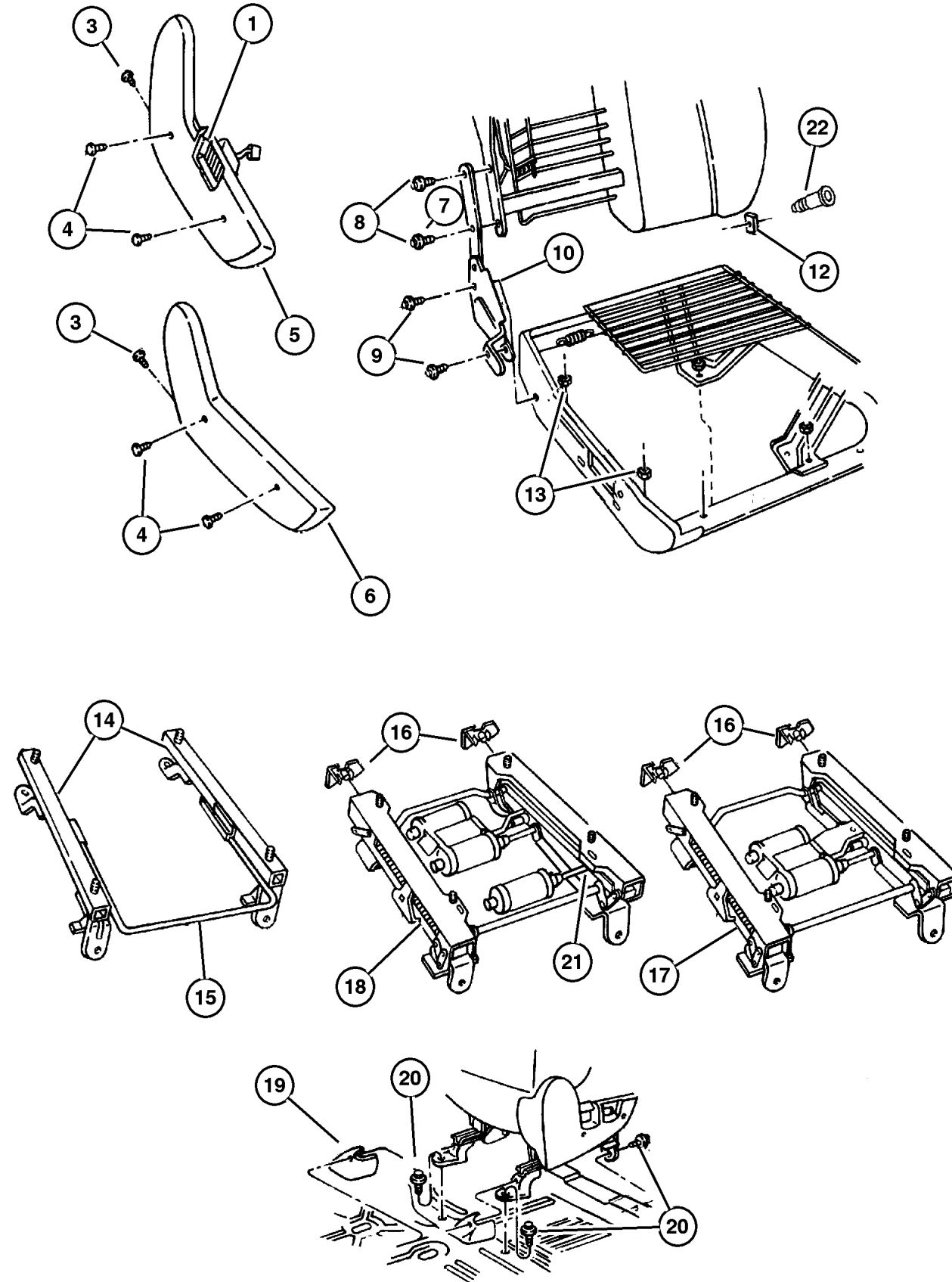
JEEP GRAND CHEROKEE (WJ)

SERIES	LINE	BODY	ENGINE	TRANSMISSION
H = Laredo	J = 4WD	74 = 4 Door	ERH = 4.0L, Power Tech I-6	DGK = 4 Speed Auto, 42RE
M = Sport	T = 2WD		EVA = 4.7L Power Tech V8	DGQ = 5 Speed Auto, 45RFE
P = Limited			EVC = 4.7L HO V8 MPI	DG0 = All Automatic Trans
S = Overland			ER0 = All 4.0L 6 Cyl Gas	
			EVO = All 4.7L Gas	

AR = Use as required - = Non illustrated part # = New this model year

December 1, 2003

Recliner and Adjusters Figure IWJ-810



ITEM	PART NUMBER	QTY	LINE	SERIES	BODY	ENGINE	TRANS	TRIM	DESCRIPTION
	SL06 1DVAA	1						JL	[DV], 6 Way Power, Right
	SL07 1DVAA	1						L7	Left
	SL06 1DVAA	1						L7	Right
	SL07 1DVAA	1						S5	[DV], 6 Way Power, Left
	SL07 1T5AA	1						S5	[T5], 6 Way Power, Left
	SL06 1L5AA	1						S5	[L5], 6 Way Power, Right
	SL06 1T5AA	1						S5	T5], 6 Way Power, Right
	SL06 1DVAA	1						S5	[DV], 6 Way Power, Right
	SL07 1L5AA	1						E7	[L5], 6 Way Power, Left
		1						S5	[L5], 6 Way Power, Left
	SL06 1DVAA	1						T5	Right
	SL07 1DVAA	1						T5	Left
	SL04 1DVAA	1						TL	[DB], 10 Way Power, Right
	SL05 1DVAA	1						TL	[DB], 10 Way Power, Left
		1						XL	[DV], 10 Way Power, Left
	SL05 1T5AA	1						XL	[T5], 10 Way Power, Left
	SL06 1DVAA	1						XL	[DV], 6 Way Power, Right
	SL06 1L5AA	1						XL	[L5], 6 Way Power, Right
	SL04 1L5AA	1						XL	[L5], 10 Way Power, Right
	SL07 1DVAA	1						E7	[DV], 6 Way Power, Left
	SL06 1T5AA	1						XL	[T5], 6 Way Power, Right
	SL05 1L5AA	1						XL	[L5], 10 Way Power, Left
	SL04 1DVAA	1						XL	[DV], 10 Way Power, Right
	SL04 1T5AA	1						XL	[T5], 10 Way Power, Right
	SL06 1T5AA	1						E7	[T5], 6 Way Power, Right
	SL06 1L5AA	1						E7	[L5], 6 Way Power, Right
	SL06 1DVAA	1						E7	[DV], 6 Way Power, Right
	SL07 1T5AA	1						JL	[T5], 6 Way Power, Left
	SL07 1L5AA	1						JL	[L5], 6 Way Power, Left
	SL07 1DVAA	1						JL	[DV], 6 Way Power, Left
6	SL02 1DVAA	1						E7	[DV], Manual
		1						T5	Manual
	SL02 1L5AA	1						E7	[L5], Manual
	SL02 1T5AA	1						E7	[T5], Manual
	SL02 1DVAA	1						JL	[DV], Manual
	SL02 1L5AA	1						JL	[L5], Manual
	SL02 1T5AA	1						JL	[T5], Manual
	SL02 1DVAA	1						S5	[DV], Manual
	SL02 1L5AA	1						S5	[L5], Manual
	SL02 1T5AA	1						S5	[T5], Manual
7									BOLT, Seat, Manual Upper

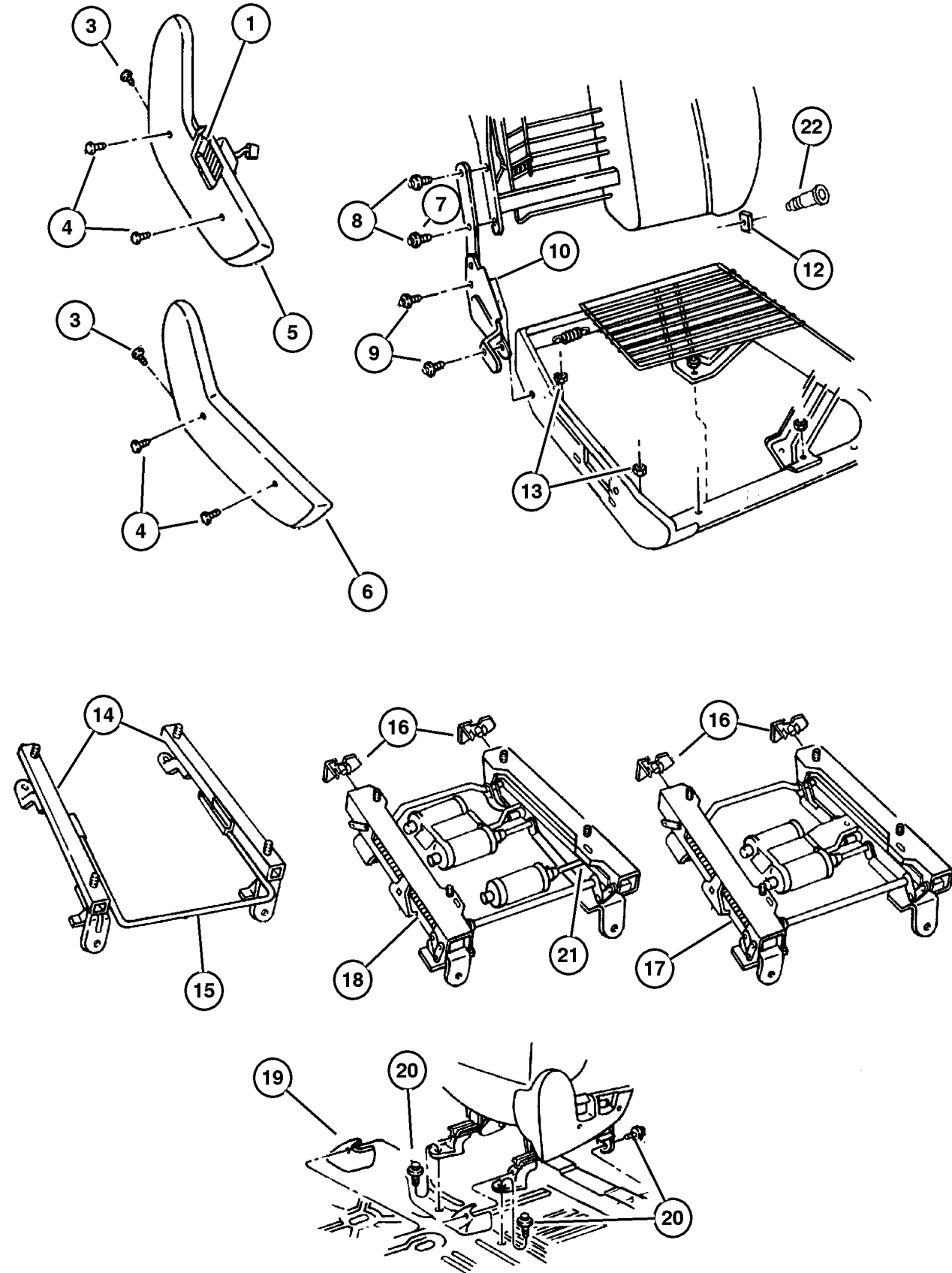
JEEP GRAND CHEROKEE (WJ)

SERIES	LINE	BODY	ENGINE	TRANSMISSION
H = Laredo	J = 4WD	74 = 4 Door	ERH = 4.0L, Power Tech I-6	DGK = 4 Speed Auto, 42RE
M = Sport	T = 2WD		EVA = 4.7L Power Tech V8	DGQ = 5 Speed Auto, 45RFE
P = Limited			EVC = 4.7L HO V8 MPI	DG0 = All Automatic Trans
S = Overland			ER0 = All 4.0L 6 Cyl Gas	
			EVO = All 4.7L Gas	

AR = Use as required - = Non illustrated part # = New this model year

December 1, 2003

**Recliner and Adjusters
Figure IWJ-810**



ITEM	PART NUMBER	QTY	LINE	SERIES	BODY	ENGINE	TRANS	TRIM	DESCRIPTION
	4720 768	4						E7	
		4						JL	
		4						L7	
		4						S5	
		4						T5	
8	5093 647AA	4						E7	BOLT, Recliner, Power
		4						JL	
		4						L7	
		4						S5	
		4						T5	
		4						TL	
		4						XL	
9									BOLT, Recliner To Cushion, Front Seat
	4796 793	4						E7	
		4						JL	
		4						L7	
		4						S5	
		4						T5	
		4						TL	
10									RECLINER, Seat Back
	4796 714	1						E7	Manual, Right
	4796 715	1						T5	Manual, Left
	5080 513AA	1						TL	Power With Memory, Left
	5080 510AA	1						TL	Power Without Memory, Right
	4796 714	1						XL	Manual, Right
	5080 510AA	1						XL	Power Without Memory, Right
	5080 513AA	1						XL	Power With Memory, Left
	4796 715	1						E7	Manual, Left
	4796 714	1						JL	Manual, Right
	4796 715	1						JL	Manual, Left
		1						L7	Manual, Left
	4796 714	1						L7	Manual, Right
		1						S5	Manual, Right
	4796 715	1						S5	Manual, Left
	4796 714	1						T5	Manual, Right
-11									KNOB, Power Seat Switch, Power Recliner
	4607 044AB	1						TL	Right
	4607 045AB	1						TL	Left

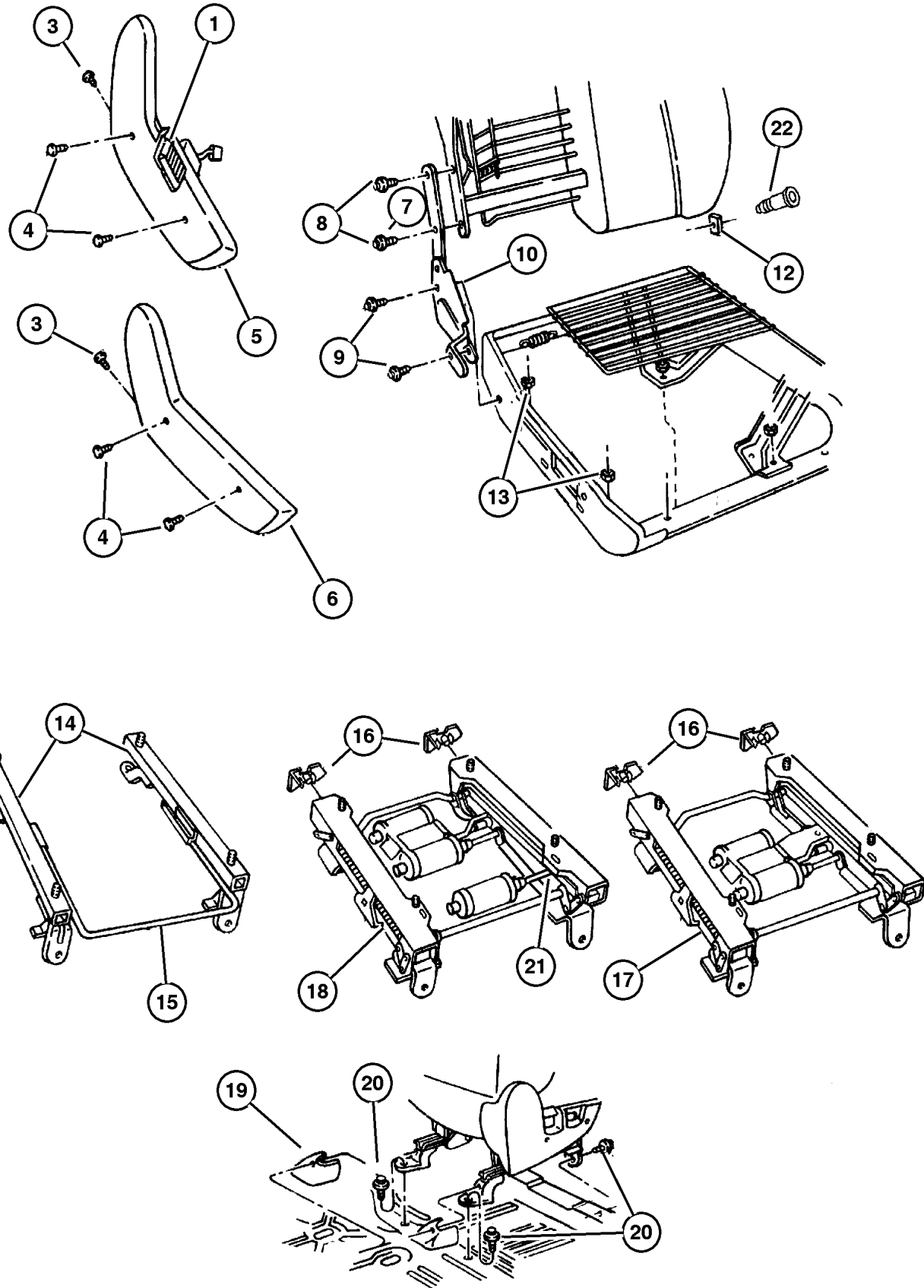
JEEP GRAND CHEROKEE (WJ)

SERIES	LINE	BODY	ENGINE	TRANSMISSION
H = Laredo	J = 4WD	74 = 4 Door	ERH = 4.0L, Power Tech I-6	DGK = 4 Speed Auto, 42RE
M = Sport	T = 2WD		EVA = 4.7L Power Tech V8	DGQ = 5 Speed Auto, 45RFE
P = Limited			EVC = 4.7L HO V8 MPI	DG0 = All Automatic Trans
S = Overland			ER0 = All 4.0L 6 Cyl Gas	
			EVO = All 4.7L Gas	

AR = Use as required - = Non illustrated part # = New this model year

December 1, 2003

Recliner and Adjusters Figure IWJ-810



ITEM	PART NUMBER	QTY	LINE	SERIES	BODY	ENGINE	TRANS	TRIM	DESCRIPTION
	4607 044AB	1						XL	Right
	4607 045AB	1						XL	Left
12	4713 982	1						E7	U-NUT, Seat Back
		1						JL	
		1						L7	
		1						S5	
		1						T5	
		1						TL	
		2						XL	
13	5101 925AA	8						E7	NUT, Seat Adjuster To Cushion
		8						JL	
		4						L7	
		8						S5	
		8						T5	
		8						TL	
		8						XL	
14	5015 564AA	1						E7	ADJUSTER, Manual Seat Passenger Outboard
	5015 566AA	1						E7	Passenger Inboard
		1						JL	Passenger Inboard
	5015 564AA	1						JL	Passenger Outboard
	5015 566AA	1						S5	Passenger Inboard
	5015 564AA	1						S5	Passenger Outboard
		1						T5	Passenger Outboard
	5015 566AA	1						T5	Passenger Inboard
15	4713 930	1						E7	HANDLE, Seat Release
		1						JL	
		1						S5	
		1						T5	
16	4723 888	2						E7	SHIELD, Seat Adjuster Driver Inboard, Passenger Outboard
	4723 889	1						T5	Driver Outboard, Passenger Outboard
		2						TL	Driver Outboard, Passenger Outboard
	4723 888	2						TL	Driver Inboard, Passenger Outboard

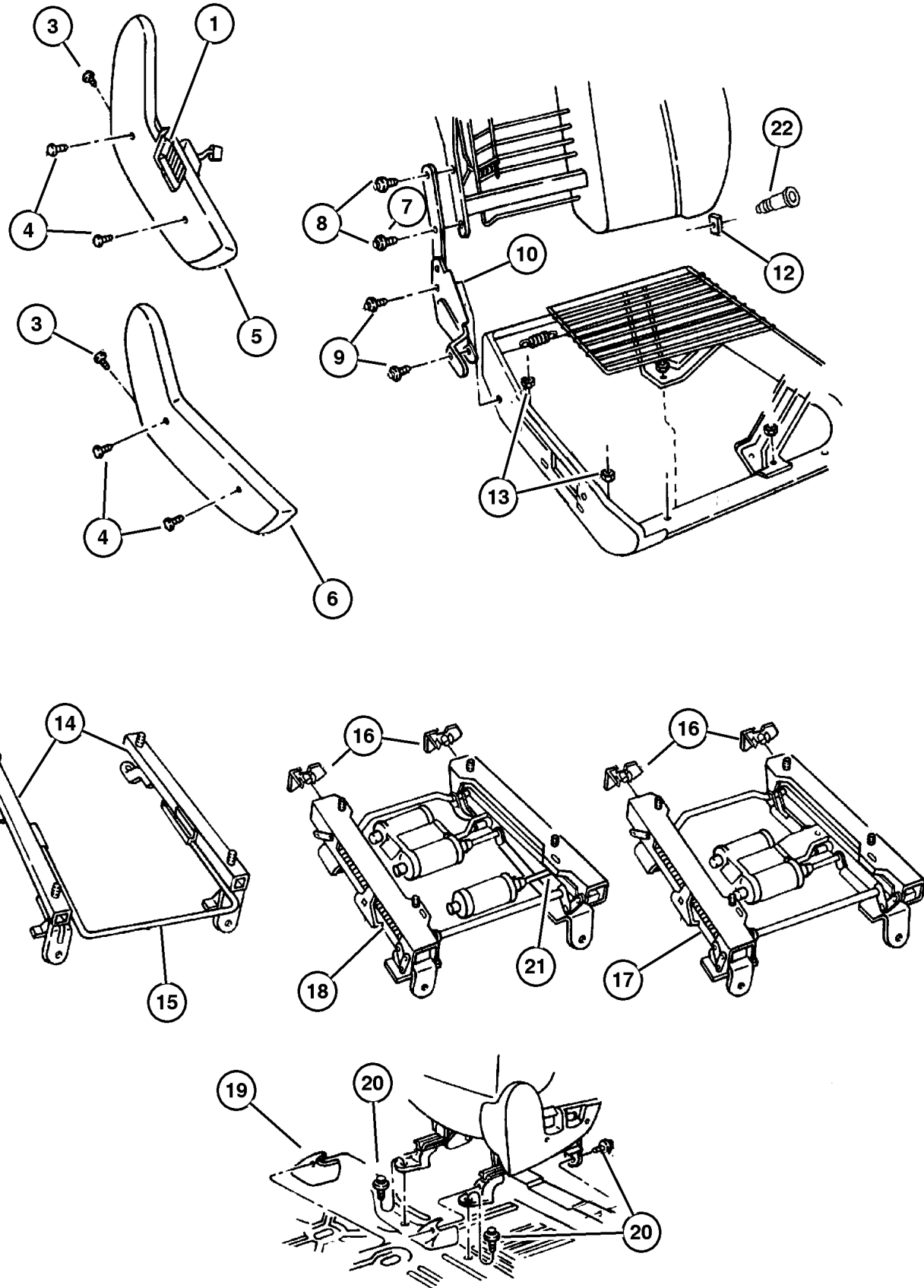
JEEP GRAND CHEROKEE (WJ)

SERIES	LINE	BODY	ENGINE	TRANSMISSION
H = Laredo	J = 4WD	74 = 4 Door	ERH = 4.0L, Power Tech I-6	DGK = 4 Speed Auto, 42RE
M = Sport	T = 2WD		EVA = 4.7L Power Tech V8	DGQ = 5 Speed Auto, 45RFE
P = Limited			EVC = 4.7L HO V8 MPI	DG0 = All Automatic Trans
S = Overland			ER0 = All 4.0L 6 Cyl Gas	
			EVO = All 4.7L Gas	

AR = Use as required - = Non illustrated part # = New this model year

December 1, 2003

Recliner and Adjusters Figure IWJ-810



ITEM	PART NUMBER	QTY	LINE	SERIES	BODY	ENGINE	TRANS	TRIM	DESCRIPTION
	4723 889	2						XL	Driver Outboard, Passenger Outboard
	4723 888	2						XL	Driver Inboard, Passenger Outboard
	4723 889	2						E7	Driver Outboard, Passenger Outboard
	4723 888	2						JL	Driver Inboard, Passenger Outboard
	4723 889	2						JL	Driver Outboard, Passenger Outboard
	4723 888	2						L7	Driver Inboard, Passenger Outboard
	4723 889	2						L7	Driver Outboard, Passenger Outboard
	4723 888	2						S5	Driver Inboard, Passenger Outboard
	4723 889	2						S5	Driver Outboard, Passenger Outboard
	4723 888	2						T5	Driver Inboard, Passenger Outboard
17									ADJUSTER, Power Seat, Without Memory
	5015 571AA	1						E7	Left
	5015 570AA	1						T5	Right
		1						TL	Right
		1						XL	Right
		1						E7	Right
		1						JL	Right
	5015 571AA	1						JL	Left
		1						L7	Left
	5015 570AA	1						L7	Right
	5015 571AA	1						S5	Left
	5015 570AA	1						S5	Right
18	5015 571AA	1						T5	Left
									ADJUSTER, Power Seat, With Memory
	5015 569AA	1						TL	
19								XL	COVER, Power Seat Track
	5FZ19 WL8AA	4							[L5]
	5FZ19 XDVAA	4							[DB, DV]
	5FZ19 XTMAA	4							[T5]

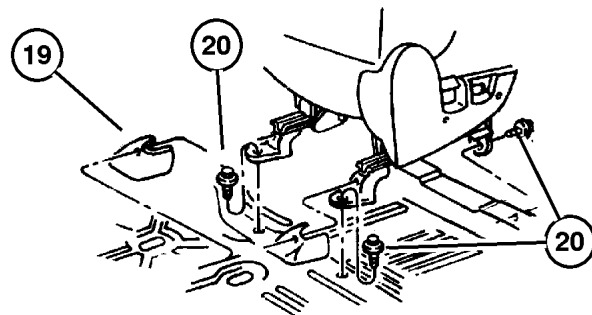
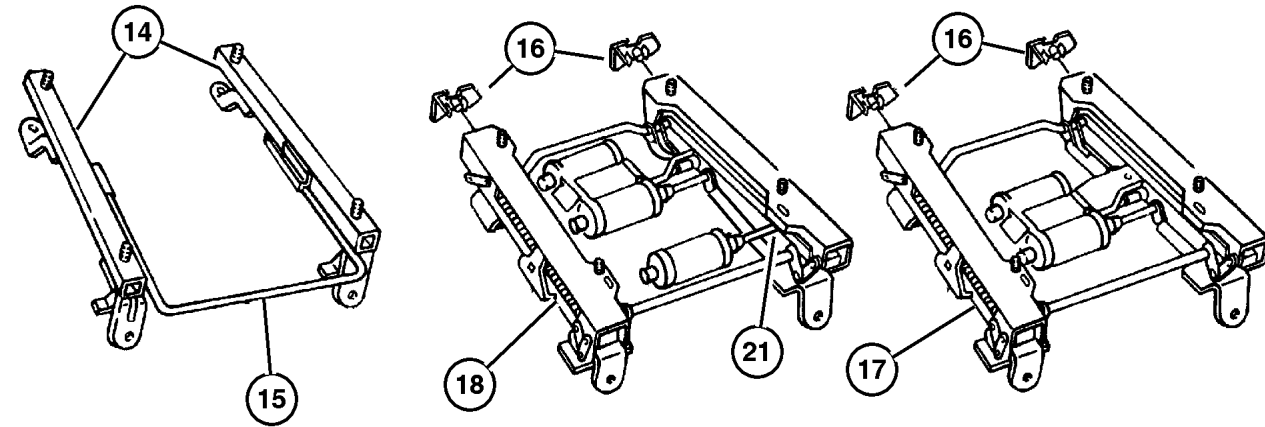
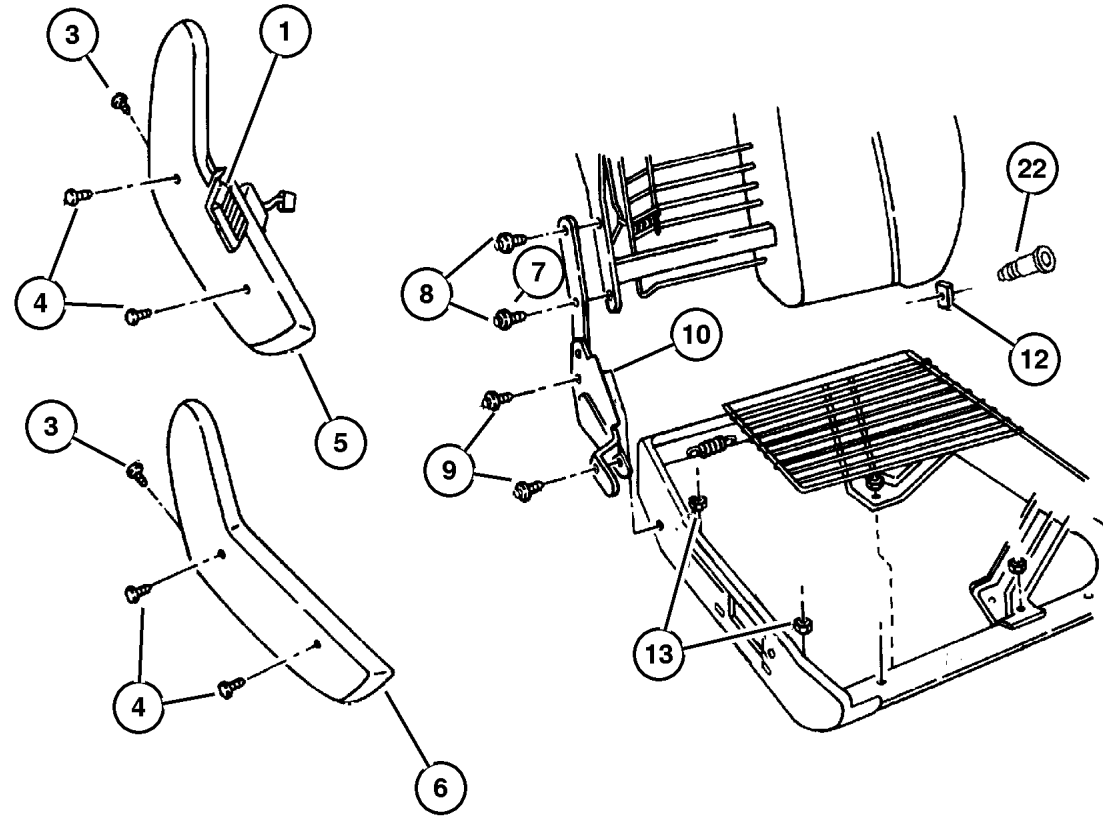
JEEP GRAND CHEROKEE (WJ)

SERIES	LINE	BODY	ENGINE	TRANSMISSION
H = Laredo	J = 4WD	74 = 4 Door	ERH = 4.0L, Power Tech I-6	DGK = 4 Speed Auto, 42RE
M = Sport	T = 2WD		EVA = 4.7L Power Tech V8	DGQ = 5 Speed Auto, 45RFE
P = Limited			EVC = 4.7L HO V8 MPI	DG0 = All Automatic Trans
S = Overland			ER0 = All 4.0L 6 Cyl Gas	
			EVO = All 4.7L Gas	

AR = Use as required - = Non illustrated part # = New this model year

December 1, 2003

Recliner and Adjusters Figure IWJ-810



ITEM	PART NUMBER	QTY	LINE	SERIES	BODY	ENGINE	TRANS	TRIM	DESCRIPTION
20	6505 040AA	8							SCREW, Hex Head, M10x1.5x40
21	5013 125AA	1						JL	BRACKET, Module, With Memory
		1						TL	
		1						XL	
22	5016 212AA	2						E7	BOLT, Shoulder, I.B.-Back To Cushion-Pivot
		2						JL	
		2						L7	
		2						S5	
		2						T5	
		2						TL	
		2						XL	

JEEP GRAND CHEROKEE (WJ)

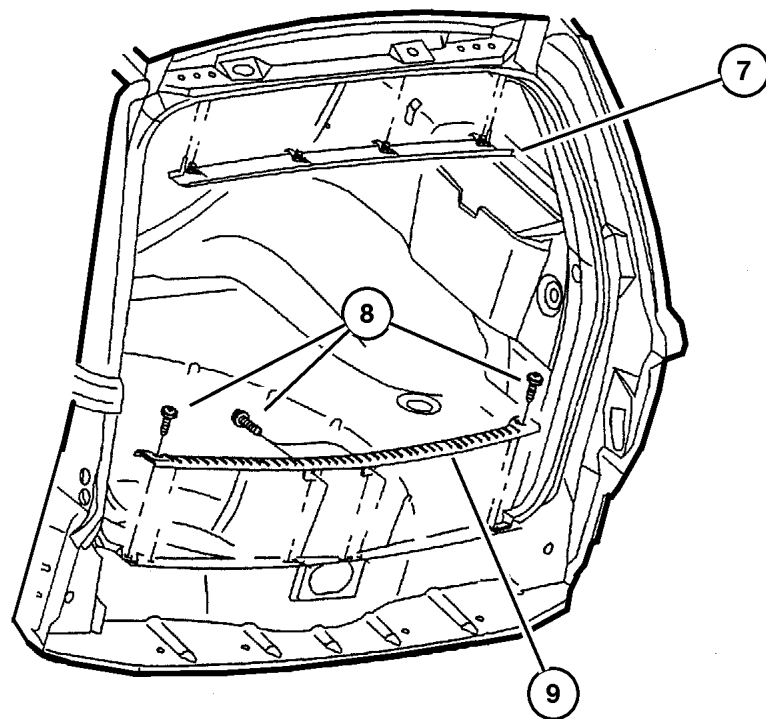
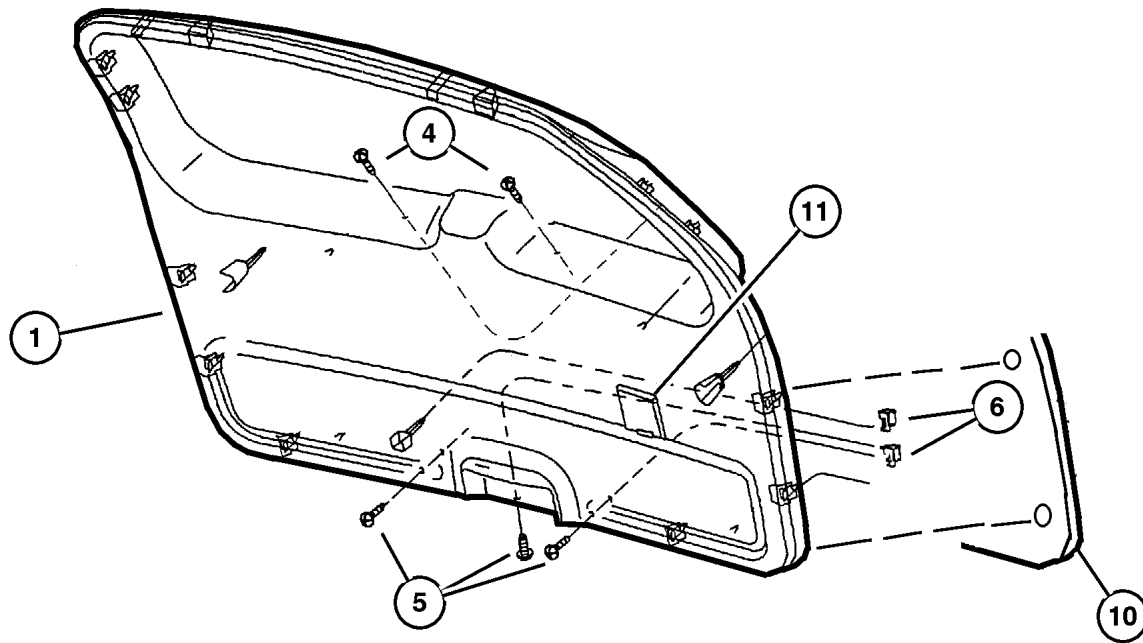
SERIES	LINE	BODY	ENGINE	TRANSMISSION
H = Laredo	J = 4WD	74 = 4 Door	ERH = 4.0L, Power Tech I-6	DGK = 4 Speed Auto, 42RE
M = Sport	T = 2WD		EVA = 4.7L Power Tech V8	DGQ = 5 Speed Auto, 45RFE
P = Limited			EVC = 4.7L HO V8 MPI	DG0 = All Automatic Trans
S = Overland			ER0 = All 4.0L 6 Cyl Gas	
			EVO = All 4.7l Gas	

AR = Use as required - = Non illustrated part # = New this model year

December 1, 2003

Liftgate Panel and Scuff Plate
Figure IWJ-1010

ITEM	PART NUMBER	QTY	LINE	SERIES	BODY	ENGINE	TRANS	TRIM	DESCRIPTION
1									PANEL, Liftgate
	5FS80 WL5AI	1							[L5]
	5FS80 XDVAI	1							[DB, DV]
	5FS80 XT5AI	1							[T5]
-2	6502 991	6							FASTENER, M7.1 Hole Push In, For M7.1 Hole
-3	6503 709	4							PIN, Door Panel
4									SCREW AND WASHER, [.164-15x2.20]~~, (NOT SERVICED) (Not Serviced)
5	6032 723	3							SCREW, Self Tapping, M4.2x1.69x19.05
6									NUT, M4.2X1.70 ~~ , (NOT SERVICED) (Not Serviced)
7									PANEL, Liftgate
	5FA67 WL5AC	1							[L5]
	5FA67 XT5AC	1							[T5]
	5FA67 XDVAC	1							[DB, DV]
8									SCREW, [.164-18X.625]~~, (NOT SERVICED) (Not Serviced)
9									PLATE, Liftgate Scuff
	5FS82 WL5AC	1							[L5]
	5FS82 XT5AC	1							[T5]
	5FS82 XDVAC	1							[DB, DV]
10	55136 185AC	1							INSULATION, liftgate
11									COVER, Liftgate
	TH63 WL5AA	1							[L5]
	TH63 XDVA	1							[DB, DV]
	TH63 XT5AA	1							[T5]



JEEP GRAND CHEROKEE (WJ)

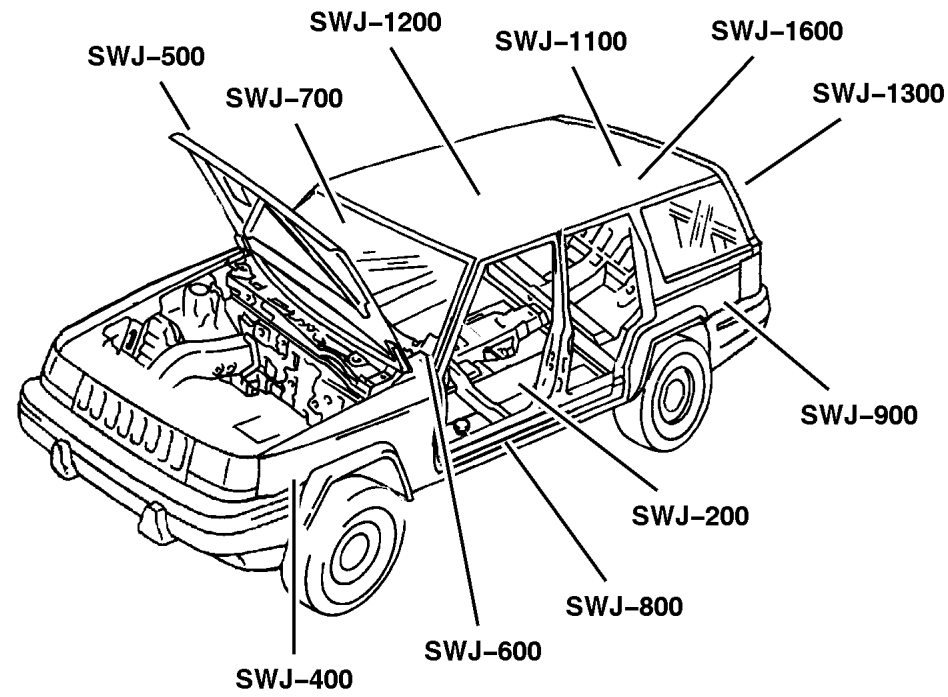
SERIES	LINE	BODY	ENGINE	TRANSMISSION
H = Laredo	J = 4WD	74 = 4 Door	ERH = 4.0L, Power Tech I-6	DGK = 4 Speed Auto, 42RE
M = Sport	T = 2WD		EVA = 4.7L Power Tech V8	DGQ = 5 Speed Auto, 45RFE
P = Limited			EVC = 4.7L HO V8 MPI	DG0 = All Automatic Trans
S = Overland			ER0 = All 4.0L 6 Cyl Gas	
			EVO = All 4.7l Gas	

AR = Use as required - = Non illustrated part # = New this model year

December 1, 2003

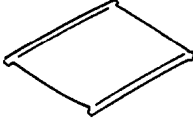

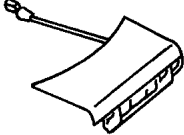

Group – SWJ

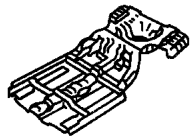

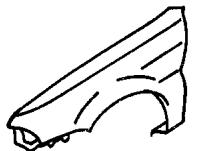
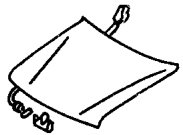
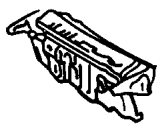

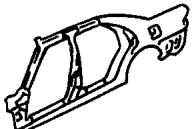
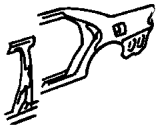
Body Sheet Metal Except Doors



Group – SWJ

Body Sheet Metal Except Doors

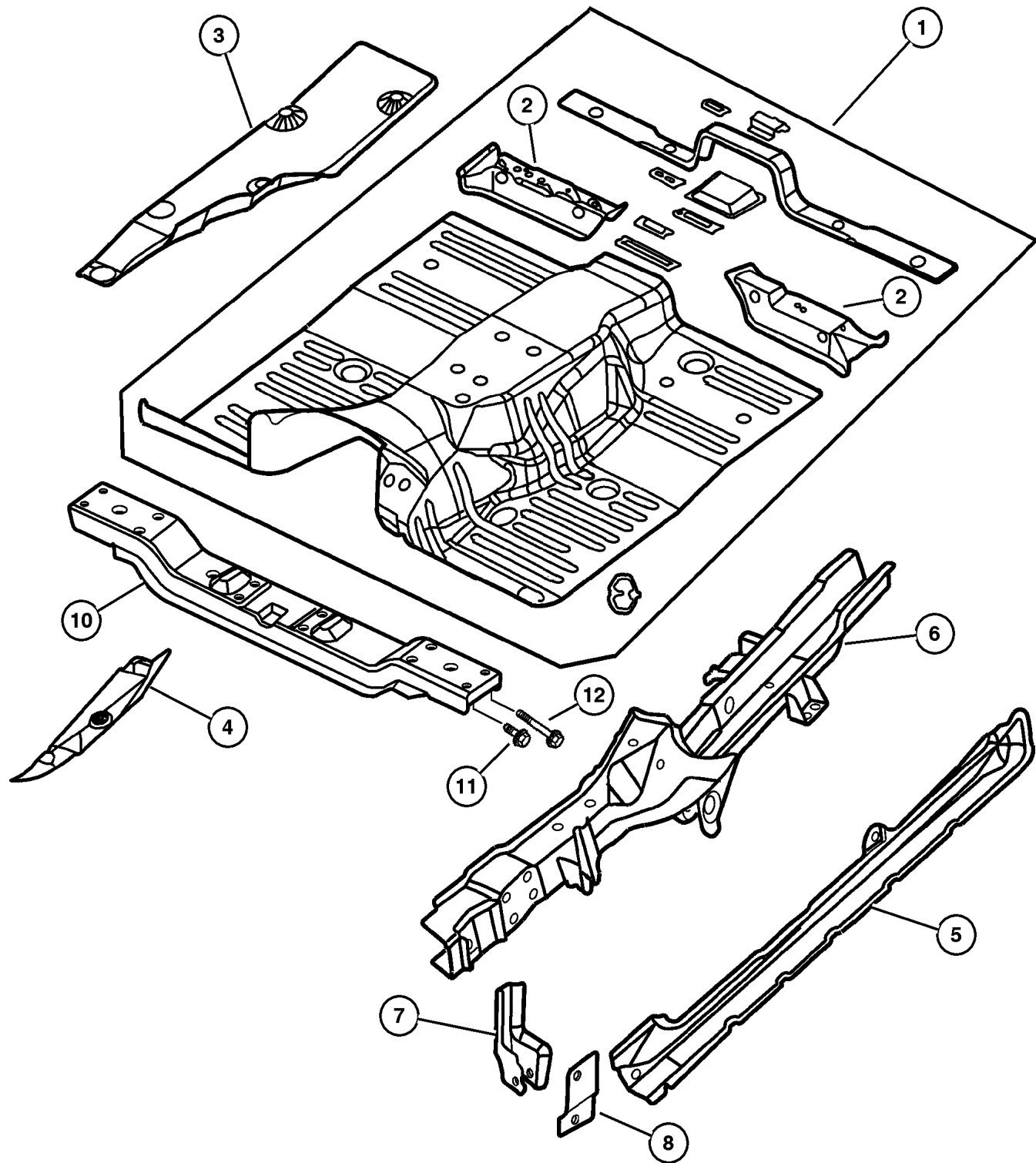
<p>SWJ-1100 Roof Panels</p> 	<p>SWJ-1200 Sunroof</p> 	<p>SWJ-1300 Liftgate Panel</p> 	<p>SWJ-1600 Luggage Rack</p> 
--	--	---	---

<p>SWJ-200 Floor Pans</p> 	<p>SWJ-300 Plugs</p> 	<p>SWJ-400 Front Fenders</p> 	<p>SWJ-500 Hood and Hood Release</p> 
<p>SWJ-600 Cowl and Dash Panel</p> 	<p>SWJ-700 Glass and Rear View Mirror</p> 	<p>SWJ-800 Aperture Panel</p> 	<p>SWJ-900 Quarter Panel and Pillars</p> 

GROUP SWJ - Body Sheet Metal Except Doors

Illustration Title	Group-Fig. No.
Floor Pans	
Front Floor Pan	Fig. SWJ-210
Center and Rear Floor Pan	Fig. SWJ-220
Plugs	
Plugs	Fig. SWJ-310
Front Fenders	
Front Fender	Fig. SWJ-410
Hood and Hood Release	
Hood, Latch, Hinges	Fig. SWJ-510
Cowl and Dash Panel	
Panels, Cowl and Dash	Fig. SWJ-610
Insulation, Dash And Cowl	Fig. SWJ-620
Glass and Rear View Mirror	
Glass, Windshield, Backlite, Quarter Window, Rear View Mirror	Fig. SWJ-710
Aperture Panel	
Panels, Body Side	Fig. SWJ-810
Quarter Panel and Pillars	
Panels, Rear Quarter	Fig. SWJ-910
Roof Panels	
Panels, Roof	Fig. SWJ-1110
Sunroof	
Sunroof	Fig. SWJ-1210
Liftgate Panel	
Liftgate, Latch and Hinges	Fig. SWJ-1310
Luggage Rack	
Roof Rack	Fig. SWJ-1610

Front Floor Pan
Figure SWJ-210



ITEM	PART NUMBER	QTY	LINE	SERIES	BODY	ENGINE	TRANS	TRIM	DESCRIPTION
1	55137 188AB	1							PAN, Floor
2	55136 340AD	1							REINFORCEMENT, Front Seat Right
	55136 341AD	1							Left
3	55135 709AC	1							SHIELD, Heat
4	55135 712AD	1							SHIELD, Heat
5	55137 180AA	1							SILL, Body Side Right
	55137 181AA	1							Left
6	5012 524AH	1							RAIL, Frame Side Right
	5012 525AH	1							Left
7	5513 6317	1							BRACKET, Track Bar
8	5513 6319	1							BRACKET, Track Bar
-9	6101 916	2							NUT, Hex Weld, M8x1.25
10	52058 940AD	1							CROSSMEMBER, Transmission
11	6506 000AA	4							SCREW AND WASHER
12	6505 671AA	4							SCREW AND WASHER

JEEP GRAND CHEROKEE (WJ)

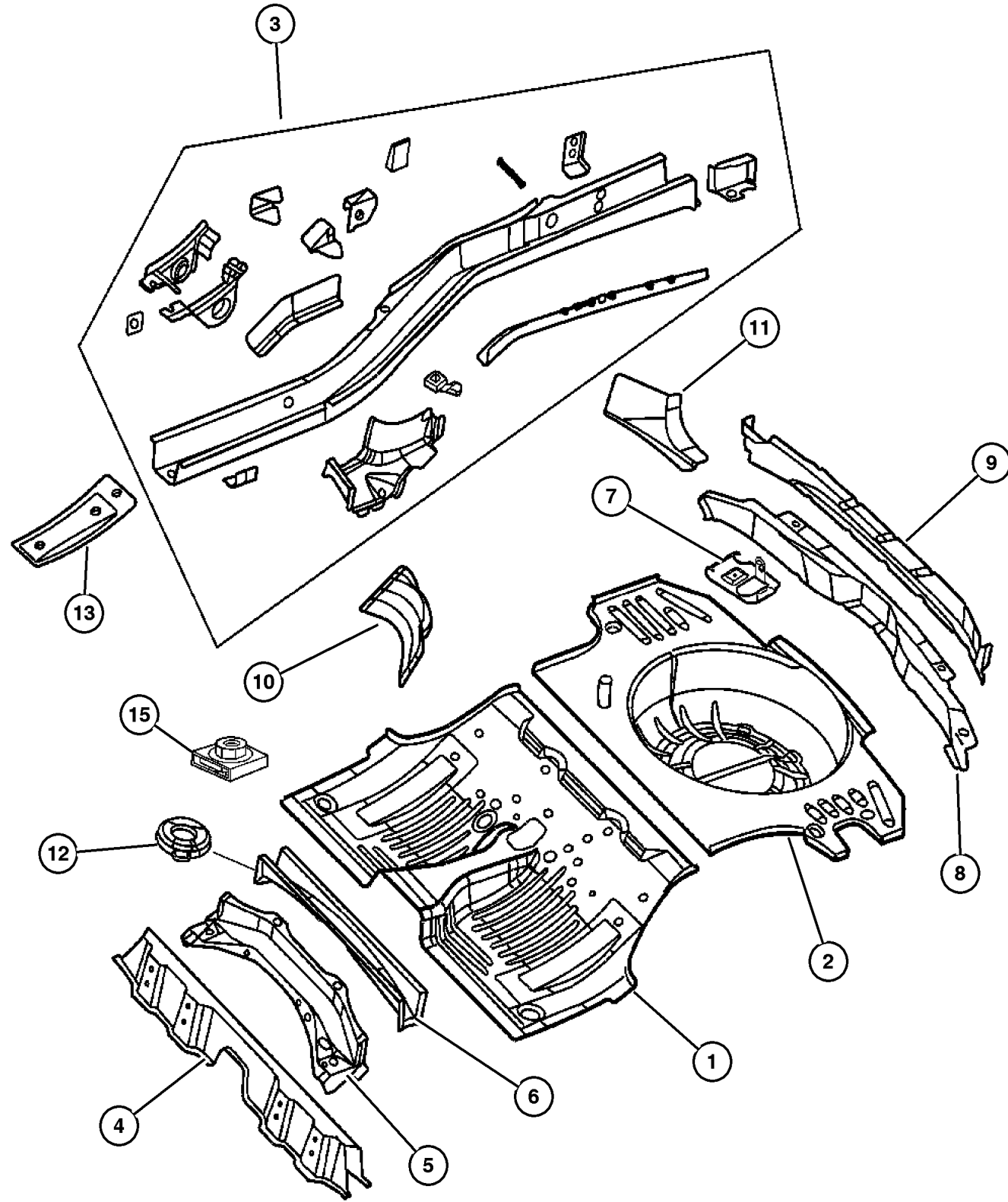
SERIES	LINE	BODY	ENGINE	TRANSMISSION
H = Laredo	J = 4WD	74 = 4 Door	ERH = 4.0L, Power Tech I-6	DGK = 4 Speed Auto, 42RE
M = Sport	T = 2WD		EVA = 4.7L Power Tech V8	DGQ = 5 Speed Auto, 45RFE
P = Limited			EVC = 4.7L HO V8 MPI	DG0 = All Automatic Trans
S = Overland			ER0 = All 4.0L 6 Cyl Gas	
			EVO = All 4.7l Gas	

AR = Use as required - = Non illustrated part # = New this model year

December 1, 2003

**Center and Rear Floor Pan
Figure SWJ-220**

ITEM	PART NUMBER	QTY	LINE	SERIES	BODY	ENGINE	TRANS	TRIM	DESCRIPTION
1	#55137 229AF	1							PAN, Floor
2	55136 377AE	1							PAN, Rear Floor
3									RAIL, Rear Floor Pan Side
	5096 162AA	1							Right
	5096 163AA	1							Left
4	55136 163AF	1							CROSSMEMBER, Rear Floor
5	55137 211AF	1							CROSSMEMBER, Rear Floor Pan Front
6	55363 143AD	1							CROSSMEMBER, Rear Floor
7	55295 800AD	1							BRACKET, Jack
8	55136 558AF	1							CROSSMEMBER, Rear Floor
9	55136 179AD	1							CROSSMEMBER, Rear Floor
10	55136 160AE	1							SHIELD, Fuel Tank
11									GUSSET, Side Member
	55135 504AF	1							Right
	55135 505AF	1							Left
12	5014 781AA	2							GUIDE, Rear Spring, None
13	55137 222AA	2							REINFORCEMENT, Rear Floor Pan Rear Rail
-14	55196 861AB	2							BRACKET, Child Seat Tether
15	55136 398AB	2							PLATE, Control Arm



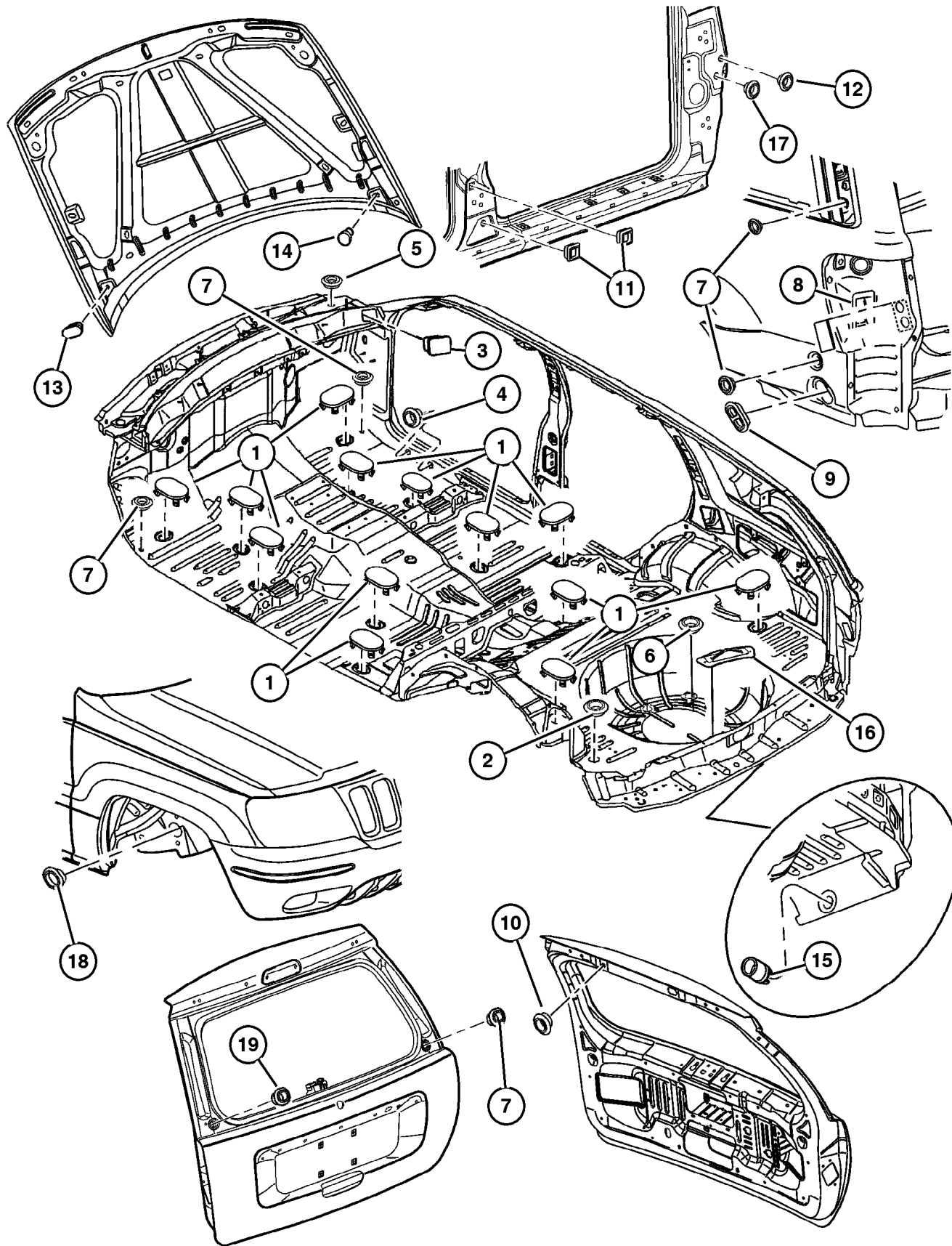
JEEP GRAND CHEROKEE (WJ)

SERIES	LINE	BODY	ENGINE	TRANSMISSION
H = Laredo	J = 4WD	74 = 4 Door	ERH = 4.0L, Power Tech I-6	DGK = 4 Speed Auto, 42RE
M = Sport	T = 2WD		EVA = 4.7L Power Tech V8	DGQ = 5 Speed Auto, 45RFE
P = Limited			EVC = 4.7L HO V8 MPI	DG0 = All Automatic Trans
S = Overland			ER0 = All 4.0L 6 Cyl Gas	
			EVO = All 4.7l Gas	

AR = Use as required - = Non illustrated part # = New this model year

December 1, 2003

Plugs Figure SWJ-310



ITEM	PART NUMBER	QTY	LINE	SERIES	BODY	ENGINE	TRANS	TRIM	DESCRIPTION
1	4580 343	13							PLUG, Floor Pan
2	2424 864	1							PLUG, Body, 1.75 Diameter
3	55136 507AB	1							PLUG, Body, Cowl Top
4	55257 380AB	12							PLUG
5	55136 456AB	1							PLUG, Body
6	55136 594AA	1							PLUG, Body
7	4440 294	5							PLUG
8	55136 948AB	2							TAPE, Body Side
9	55136 562AB	2							PLUG, Body
10	5255 217	1							PLUG, Dash Panel
11	55136 566AA	4							PLUG, Body
12	55136 859AA	2							PLUG
13	55136 755AA	1							PLUG, Body
14	55136 752AA	1							PLUG, Body
15	55135 856AB	2							PLUG, Body
16	55136 844AE	1							PLUG, Floor
17	55136 860AA	2							PLUG
18	55136 945AA	2							PLUG, Body
19	5255 216	1							PLUG, Body, .875 Diameter

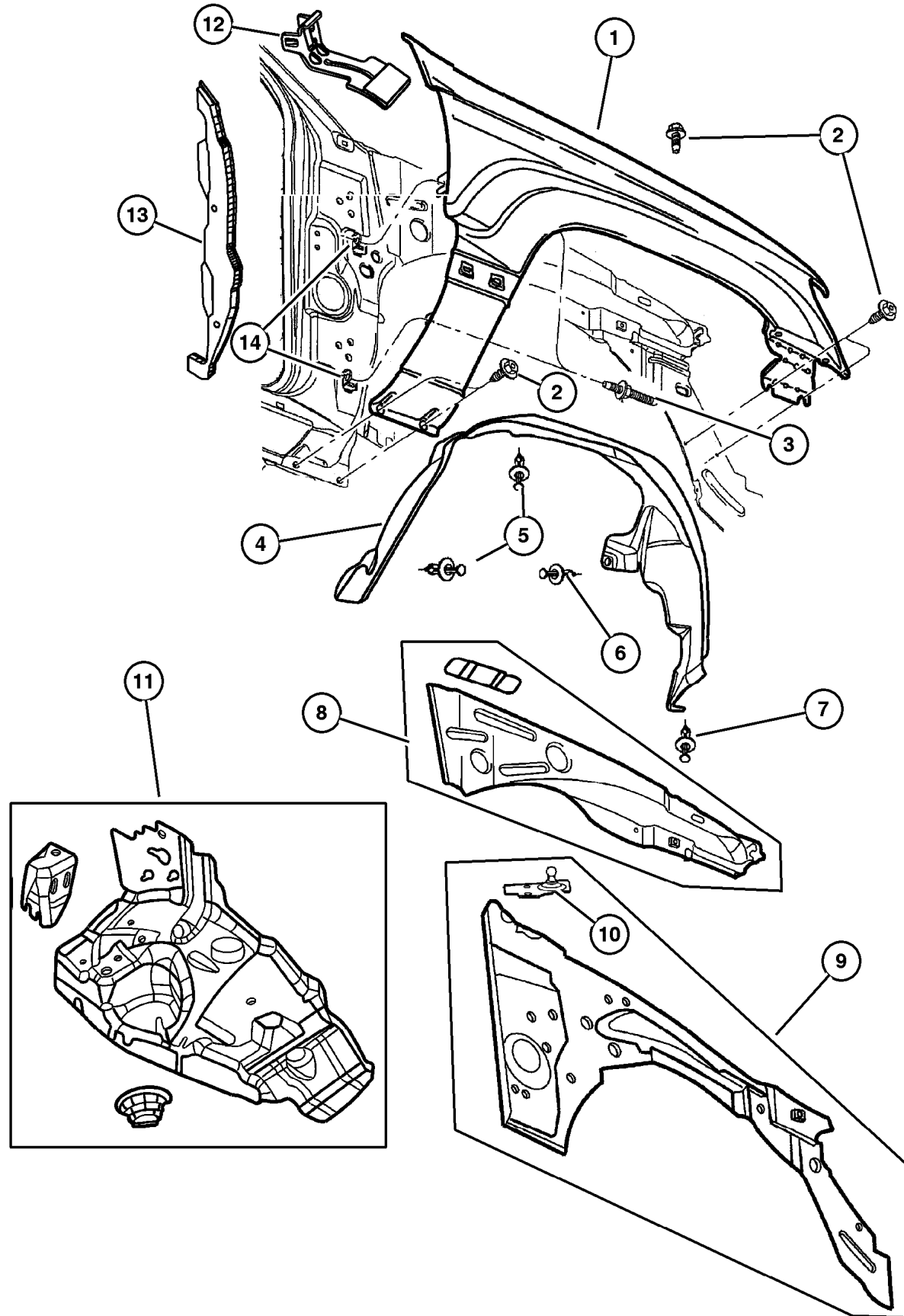
JEEP GRAND CHEROKEE (WJ)

SERIES	LINE	BODY	ENGINE	TRANSMISSION
H = Laredo	J = 4WD	74 = 4 Door	ERH = 4.0L, Power Tech I-6	DGK = 4 Speed Auto, 42RE
M = Sport	T = 2WD		EVA = 4.7L Power Tech V8	DGQ = 5 Speed Auto, 45RFE
P = Limited			EVC = 4.7L HO V8 MPI	DG0 = All Automatic Trans
S = Overland			ER0 = All 4.0L 6 Cyl Gas	
			EVO = All 4.7L Gas	

AR = Use as required - = Non illustrated part # = New this model year

December 1, 2003

Front Fender Figure SWJ-410



ITEM	PART NUMBER	QTY	LINE	SERIES	BODY	ENGINE	TRANS	TRIM	DESCRIPTION
1									FENDER, Front
	55135 900AC	1							Right
	55135 901AC	1							Left
2									SCREW, M6X1.00X20.00~~, (NOT SERVICED) (Not Serviced)
3									STUD, Double Ended, M6X1.00X57.00~~, (NOT SERVICED) (Not Serviced)
4									LINER, Front Fender
	#55136 228AC	1							Right
	#55136 229AC	1							Left
5	6034 608	2							PIN, Headline
6	3420 1631	6							RIVET, M6.25x28 Black
7	6506 293AA	12							PIN, Push
8									REINFORCEMENT, Cowl Side
	55136 354AH	1							Right
	55136 355AH	1							Left
9									PANEL, Cowl
	55135 443AE	1							Left
	55135 442AE	1							Right
10									BRACKET, Ball to Body
	5513 6434	1							Right
	5513 6435	1							Left
11									SUPPORT, Front Suspension
	5017 481AC	1							Right
	5017 504AD	1							Left
12	55136 774AA	2							BRACKET, Fender
13									FILLER, Fender to Wheelhouse
	55135 793AC	1							Left
	55135 866AC	1							Right
14	55136 586AB	4							BRACKET, Fender

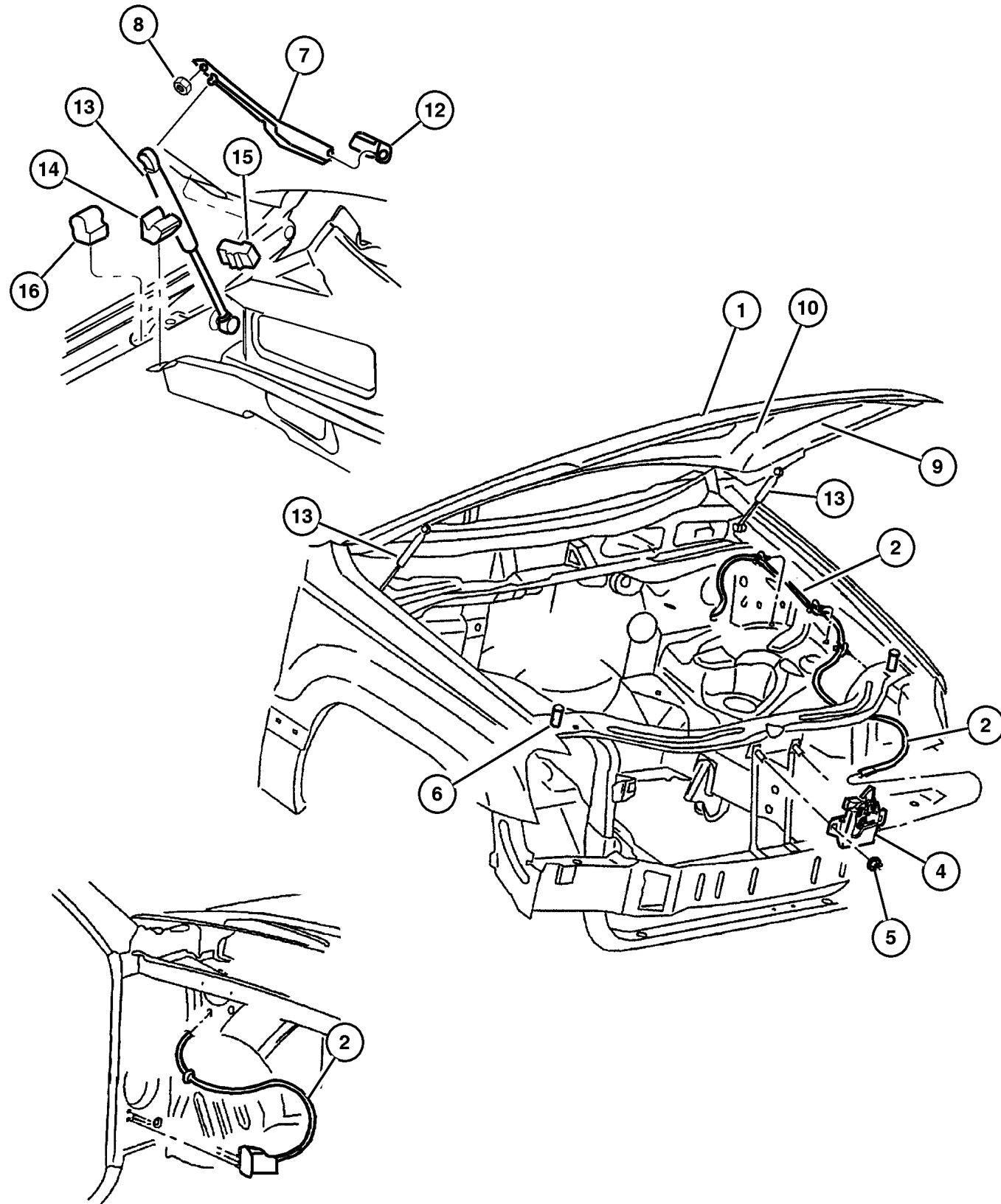
JEEP GRAND CHEROKEE (WJ)

SERIES	LINE	BODY	ENGINE	TRANSMISSION
H = Laredo	J = 4WD	74 = 4 Door	ERH = 4.0L, Power Tech I-6	DGK = 4 Speed Auto, 42RE
M = Sport	T = 2WD		EVA = 4.7L Power Tech V8	DGQ = 5 Speed Auto, 45RFE
P = Limited			EVC = 4.7L HO V8 MPI	DG0 = All Automatic Trans
S = Overland			ER0 = All 4.0L 6 Cyl Gas	
			EVO = All 4.7L Gas	

AR = Use as required - = Non illustrated part # = New this model year

December 1, 2003

Hood, Latch, Hinges Figure SWJ-510



ITEM	PART NUMBER	QTY	LINE	SERIES	BODY	ENGINE	TRANS	TRIM	DESCRIPTION
1	55076 470AE	1							HOOD
2	55135 532AB	1							CABLE, Hood Release
-3	6503 794	3							CLIP, M6.3x11.2
4	55135 600AC	1							LATCH, Hood
5	6102 167AA	2							NUT AND WASHER
6	4103 165	2							BUMPER, Hood
7									HINGE, Hood
	55256 196AB	1							Right
	55256 197AB	1							Left
8	6503 664	4							NUT AND WASHER, Hex Nut-Coned Washer, M6 x 1.00
9	55196 298AG	1							INSULATION, Hood
10	55116 809AA	1							LABEL, Refrigerant
-11	6003 351	12							RETAINER, Hood Insulation, .415x. 690
12									COVER, Hinge
	55156 110AB	1							Right
	55156 111AB	1							Left
13	55352 896AA	1							PROP, Hood
14	55363 119AA	2							SEAL, Hood
15	55136 549AA	2							SEAL, Hood, Upper
16	55136 550AA	2							SEAL, Hood, Outer

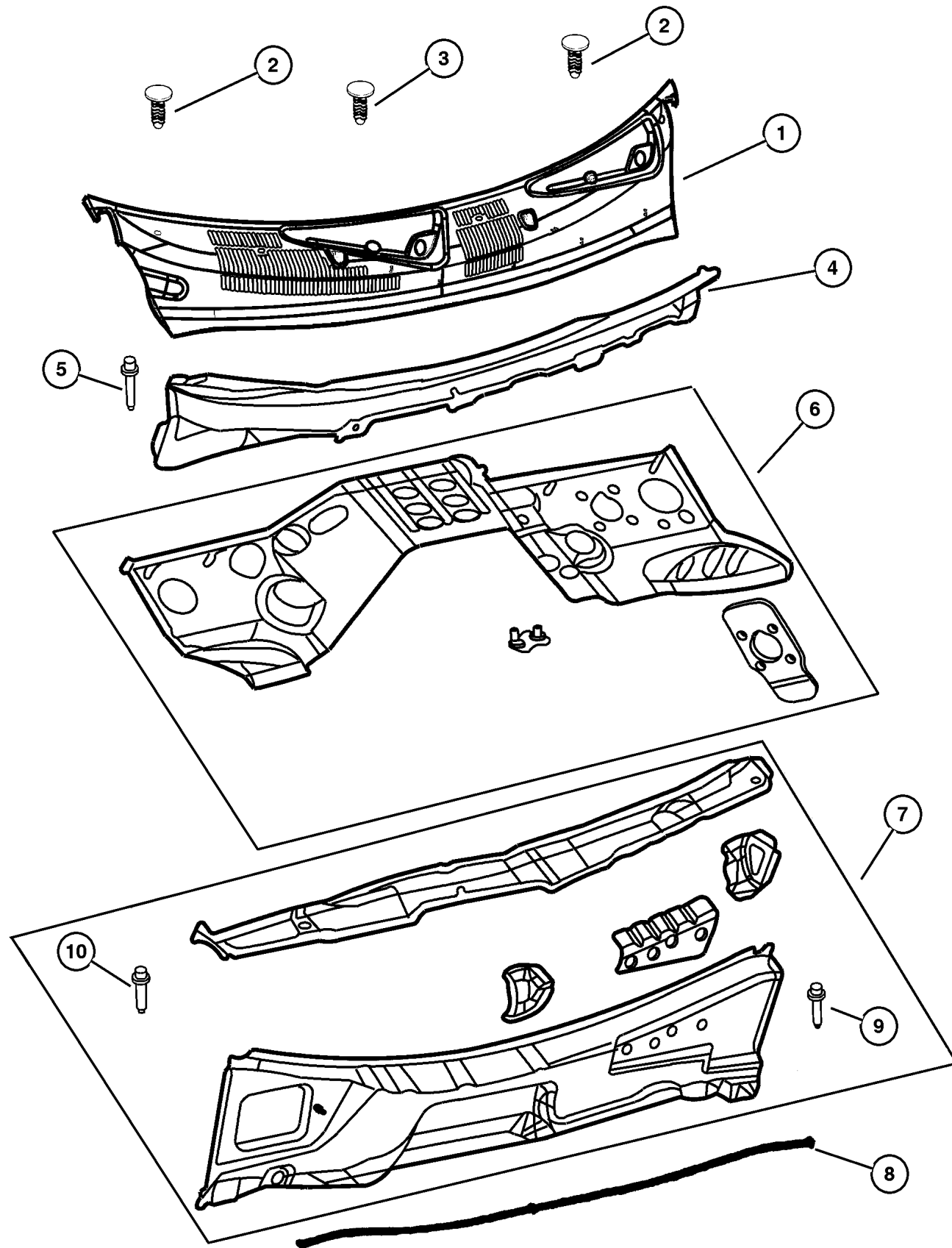
JEEP GRAND CHEROKEE (WJ)

SERIES	LINE	BODY	ENGINE	TRANSMISSION
H = Laredo	J = 4WD	74 = 4 Door	ERH = 4.0L, Power Tech I-6	DGK = 4 Speed Auto, 42RE
M = Sport	T = 2WD		EVA = 4.7L Power Tech V8	DGQ = 5 Speed Auto, 45RFE
P = Limited			EVC = 4.7L HO V8 MPI	DG0 = All Automatic Trans
S = Overland			ER0 = All 4.0L 6 Cyl Gas	
			EVO = All 4.7l Gas	

AR = Use as required - = Non illustrated part # = New this model year

December 1, 2003

**Panels, Cowl and Dash
Figure SWJ-610**



ITEM	PART NUMBER	QTY	LINE	SERIES	BODY	ENGINE	TRANS	TRIM	DESCRIPTION
1	55155 355AD	1							COVER, Cowl Grille
2	6505 319AA	4							NUT, M6x1.00
3	6503 339	2							NUT, Plastic
4	55135 369AC	1							PANEL, Cowl Top
5	6505 511AA	4							STUD
6	55135 358AF	1							PANEL, Dash
7	55135 451AE	1							PANEL, Cowl And Plenum
8	55135 392AC	1							SEAL, Hood To Plenum
9	6504 758	1							STUD, M8x
10	6504 952AA	3							STUD
-11	6100 879	AR							WASHER, Flat, Dash To Cowl

JEEP GRAND CHEROKEE (WJ)

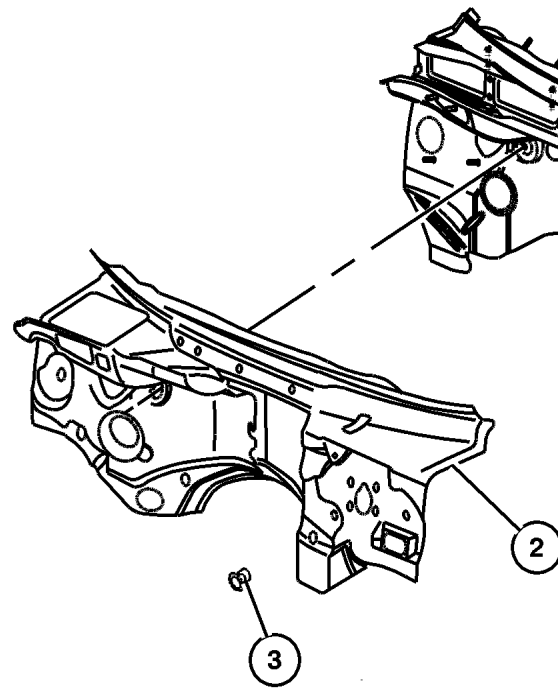
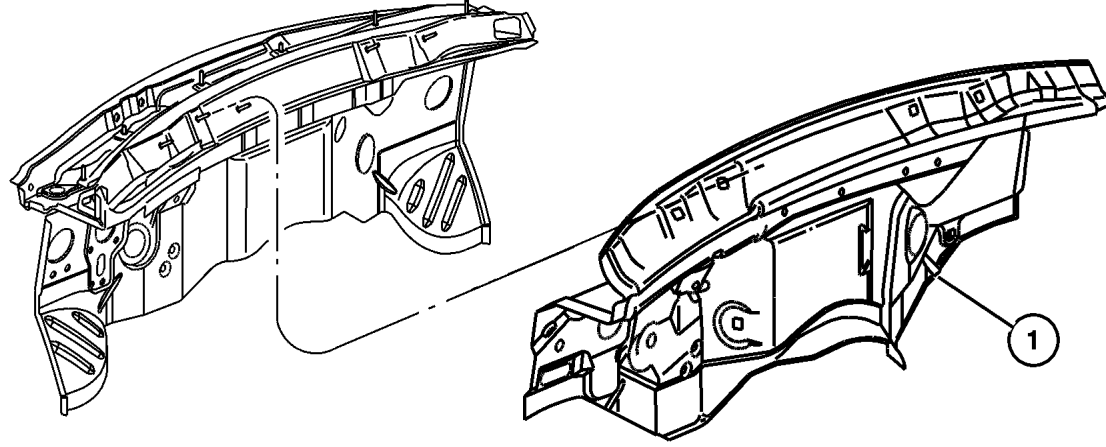
SERIES	LINE	BODY	ENGINE	TRANSMISSION
H = Laredo	J = 4WD	74 = 4 Door	ERH = 4.0L, Power Tech I-6	DGK = 4 Speed Auto, 42RE
M = Sport	T = 2WD		EVA = 4.7L Power Tech V8	DGQ = 5 Speed Auto, 45RFE
P = Limited			EVC = 4.7L HO V8 MPI	DG0 = All Automatic Trans
S = Overland			ER0 = All 4.0L 6 Cyl Gas	
			EVO = All 4.7l Gas	

AR = Use as required - = Non illustrated part # = New this model year

December 1, 2003

**Insulation, Dash And Cowl
Figure SWJ-620**

ITEM	PART NUMBER	QTY	LINE	SERIES	BODY	ENGINE	TRANS	TRIM	DESCRIPTION
1	55196 892AC	1							INSULATION, Dash Panel
2	55196 836AC	1							INSULATION, Dash Panel
3	6503 274	3							NUT, Push On



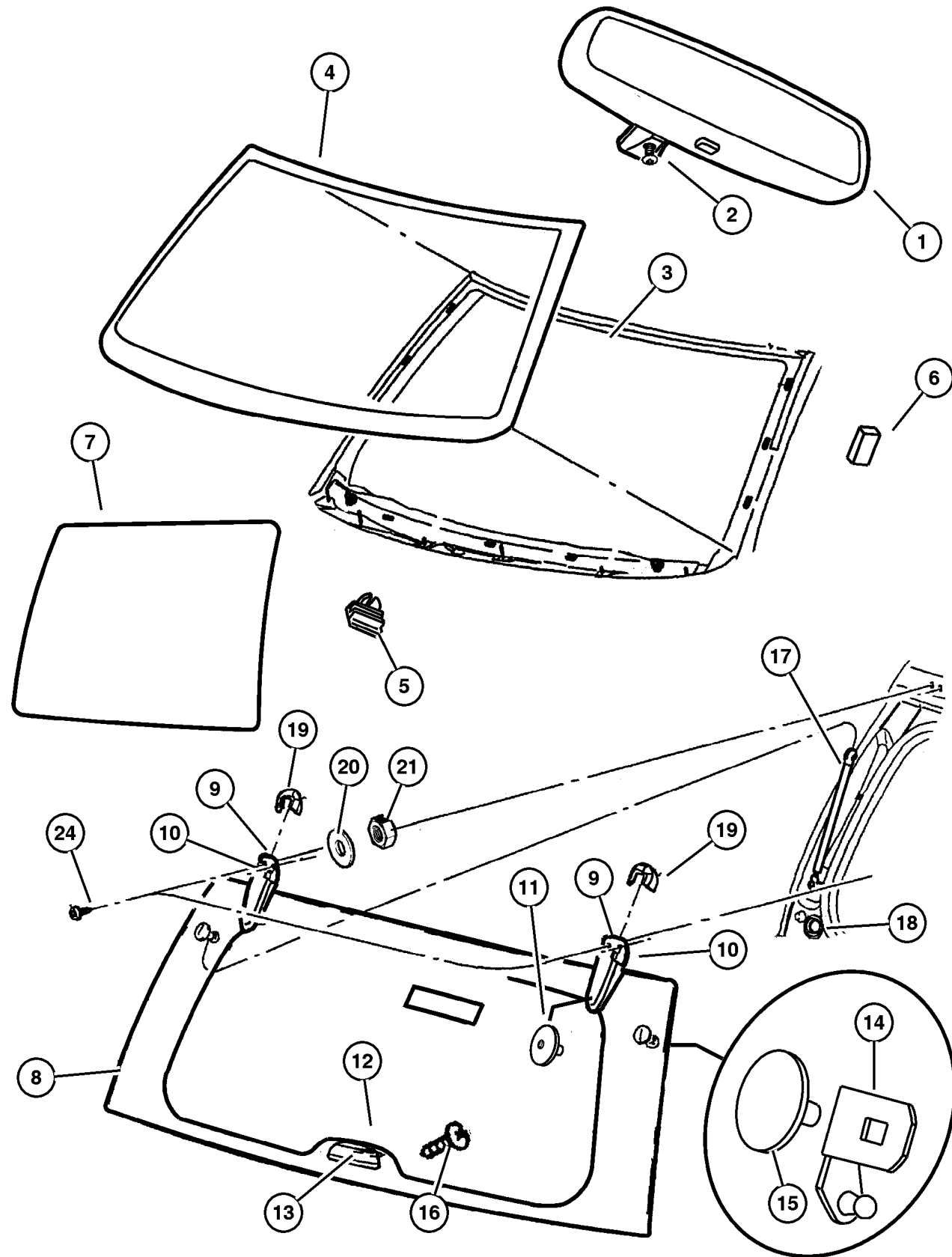
JEEP GRAND CHEROKEE (WJ)

SERIES	LINE	BODY	ENGINE	TRANSMISSION
H = Laredo	J = 4WD	74 = 4 Door	ERH = 4.0L, Power Tech I-6	DGK = 4 Speed Auto, 42RE
M = Sport	T = 2WD		EVA = 4.7L Power Tech V8	DGQ = 5 Speed Auto, 45RFE
P = Limited			EVC = 4.7L HO V8 MPI	DG0 = All Automatic Trans
S = Overland			ER0 = All 4.0L 6 Cyl Gas	
			EVO = All 4.7l Gas	

AR = Use as required - = Non illustrated part # = New this model year

December 1, 2003

Glass, Windshield, Backlite, Quarter Window, Rear View Mirror
Figure SWJ-710



ITEM	PART NUMBER	QTY	LINE	SERIES	BODY	ENGINE	TRANS	TRIM	DESCRIPTION
1									MIRROR, Inside Rear View
	55155 380AB	1							Automatic
	4805 332AB	1							Prismatic
2	5073 472AA	1							SCREW
3	5507 6401	1							BUTTON, Rear View Mirror
4									WINDSHIELD
	#5104 820AB	1							
	5080 595AA	1							With Rain Sensor
5	5502 8214	9							SPACER, Windshield
6	55275 388AC	2							SPACER, Windshield
7									GLASS, Quarter Window
	55135 809AD	1							Left
	55135 808AD	1							Right
8	55136 980AB	1							GLASS, Liftgate Flipper
9									HINGE, Liftglass
	5019 418AA	1							Right
	5019 419AA	1							Left
10	5507 5164	1							GASKET, Liftgate Hinge
11	5529 6025	2							SCREW, Special Head, M6x1x12.7, Hinge to Glass
12	5513 6045	1							GASKET, Liftgate Handle
13	5513 6048	1							HANDLE, Flipper Window
14									BALL STUD, Liftgate Glass
	55136 968AA	1							Right
	55136 969AA	1							Left
15	6506 200AA	2							FASTENER
16	6035 479	2							SCREW AND WASHER
17	55136 965AA	2							GAS CYLINDER, Liftgate Glass
18	55136 845AA	2							BUMPER, Liftgate Glass
19									COVER, Hinge
	4717 486AB	1							Right
	4717 487AB	1							Left
20	5529 5914	4							GASKET, Ball Stud
21	6504 513	1							NUT AND WASHER, Hex Nut-Coned Washer, M6 x 1.00
-22	5513 6044	1							STRIKER, Liftgate Glass
-23	5507 6299	2							CAP, Lock Cylinder
24	6507 883AA	4							SCREW

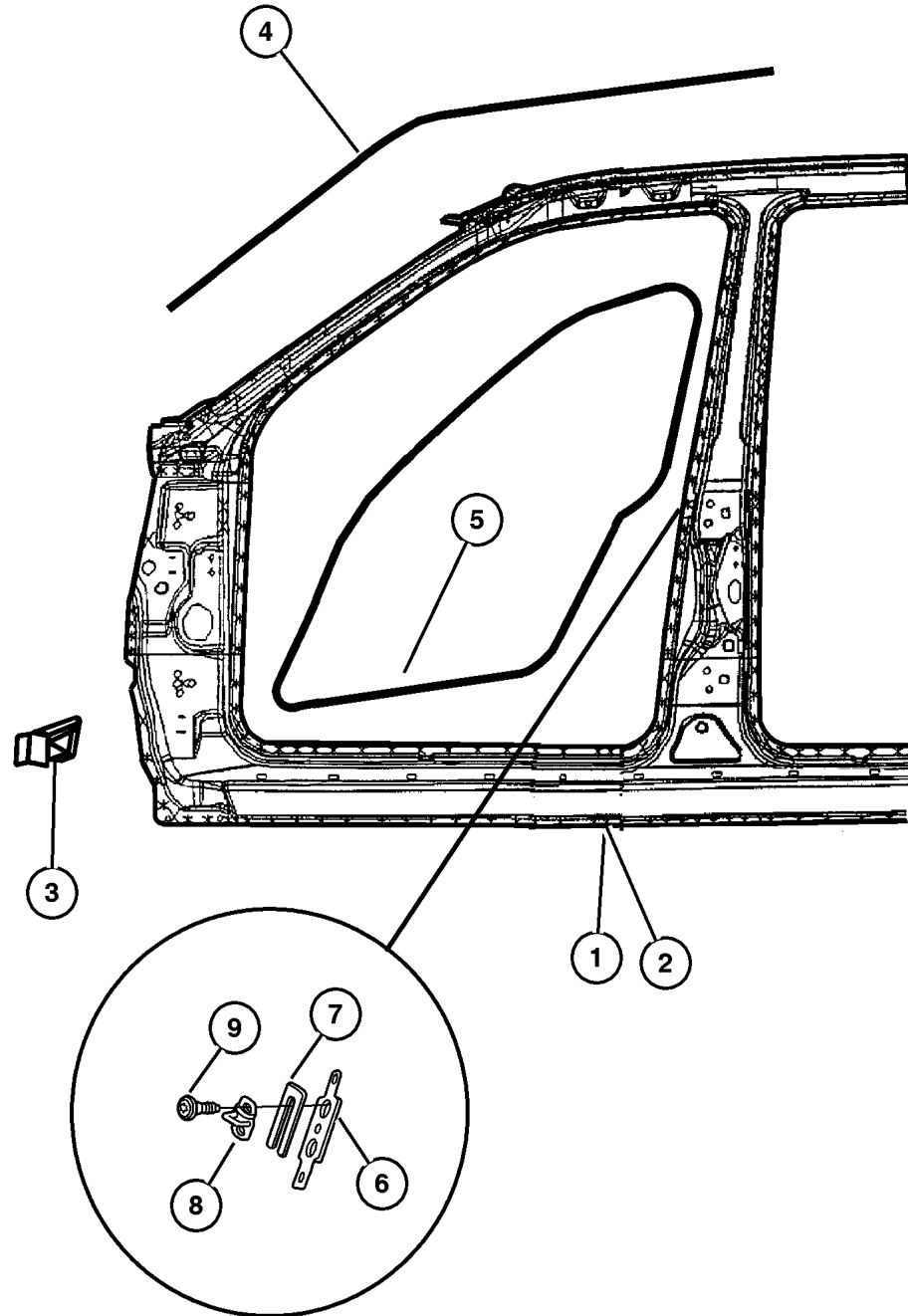
JEEP GRAND CHEROKEE (WJ)

SERIES	LINE	BODY	ENGINE	TRANSMISSION
H = Laredo	J = 4WD	74 = 4 Door	ERH = 4.0L, Power Tech I-6	DGK = 4 Speed Auto, 42RE
M = Sport	T = 2WD		EVA = 4.7L Power Tech V8	DGQ = 5 Speed Auto, 45RFE
P = Limited			EVC = 4.7L HO V8 MPI	DG0 = All Automatic Trans
S = Overland			ER0 = All 4.0L 6 Cyl Gas	
			EVO = All 4.7L Gas	

AR = Use as required - = Non illustrated part # = New this model year

December 1, 2003

Panels, Body Side
Figure SWJ-810



ITEM	PART NUMBER	QTY	LINE	SERIES	BODY	ENGINE	TRANS	TRIM	DESCRIPTION
1									PANEL, Body Side Aperture Front, Complete
	5083 300AC	1							Right
	5083 301AC	1							Left
2									PANEL, Body Side Aperture, Outer
	5083 360AB	1							Right
	5083 361AB	1							Left
3									TAPPING PLATE, Door Hinge, Also serviced in Item #1
	55136 436AB	1							Right
	55136 437AB	1							Left
4									SEAL, Body Side
	55135 869AC	1							Upper Right
	55135 872AC	1							Upper Left
5	55135 918AI	2							SEAL, Front Door, Right & Left
6	55135 503AC	2							TAPPING PLATE, Striker
7	4520 289	AR							SPACER, Door Latch Striker
8	4780 607AA	2							STRIKER, Door
9	6506 749AA	4							SCREW, 6 Lobed

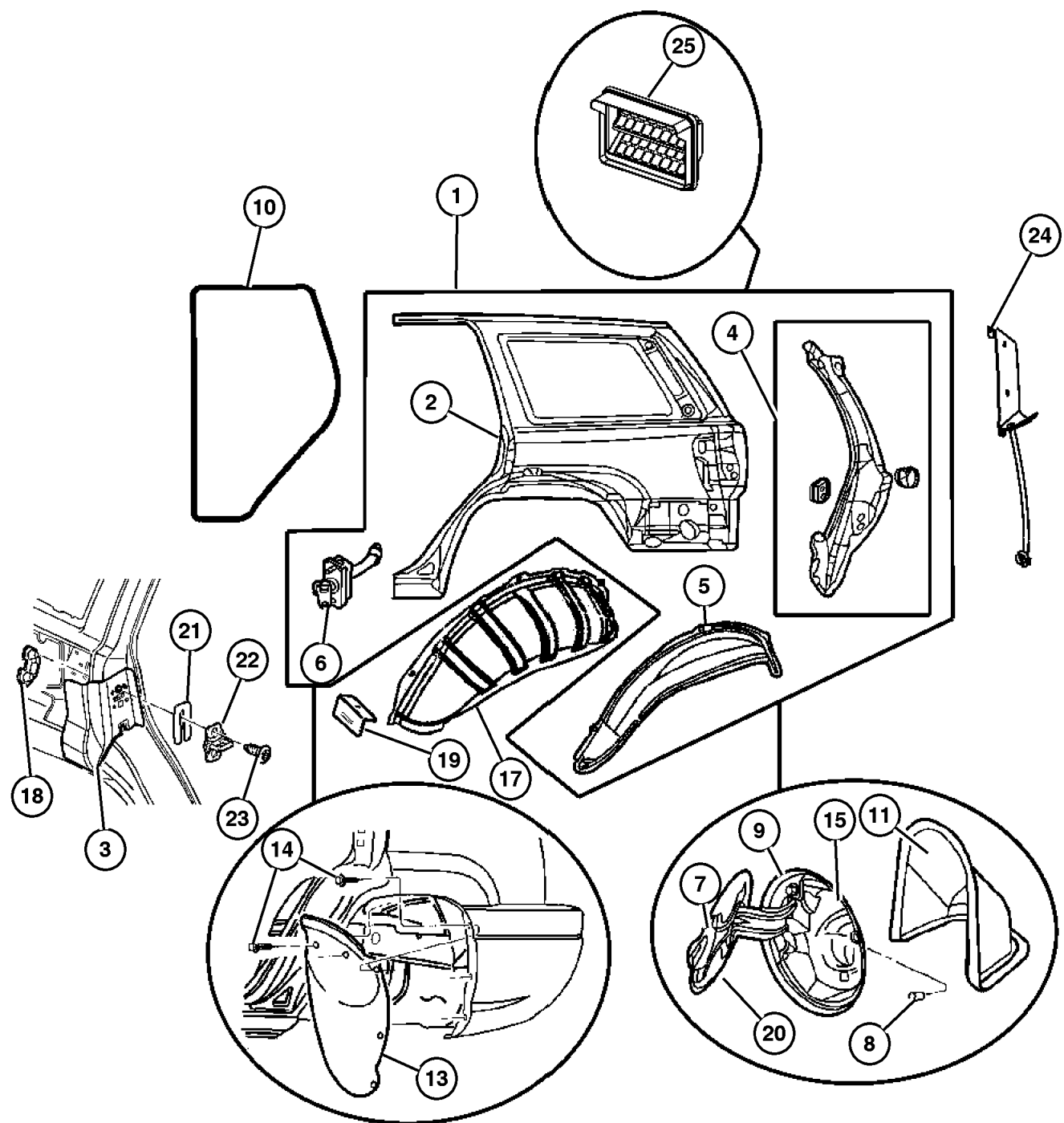
JEEP GRAND CHEROKEE (WJ)

SERIES	LINE	BODY	ENGINE	TRANSMISSION
H = Laredo	J = 4WD	74 = 4 Door	ERH = 4.0L, Power Tech I-6	DGK = 4 Speed Auto, 42RE
M = Sport	T = 2WD		EVA = 4.7L Power Tech V8	DGQ = 5 Speed Auto, 45RFE
P = Limited			EVC = 4.7L HO V8 MPI	DG0 = All Automatic Trans
S = Overland			ER0 = All 4.0L 6 Cyl Gas	
			EVO = All 4.7l Gas	

AR = Use as required - = Non illustrated part # = New this model year

December 1, 2003

**Panels, Rear Quarter
Figure SWJ-910**



ITEM	PART NUMBER	QTY	LINE	SERIES	BODY	ENGINE	TRANS	TRIM	DESCRIPTION
1									PANEL, Body Side Aperture Rear, Complete, Includes Tailamp Pocket
	5083 110AF	1							Right
	5083 111AF	1							Left
2									PANEL, Quarter, Outer Only, Without Tailamp Pocket
	5017 866AD	1							Right
	5017 867AD	1							Left
3									REINFORCEMENT, Door Striker
	55135 508AC	1							Right
	55135 509AC	1							Left
4									TROUGH, Liftgate Opening
	55135 428AC	1							Right
	55135 429AC	1							Left
5									PANEL, Rear Wheelhouse
	55136 546AB	1							Right
	55136 547AB	1							Left
6									CHECK, Rear Door
	55135 658AB	1							Right
	55135 659AB	1							Left
7	55135 514AB	1							DOOR, Fuel Fill
8	55135 519AB	2							BUMPER, Fuel Door
9	6504 946AA	2							SCREW, Hex Flange Head, M6x1.0x16.0
10	55135 958AI	2							SEAL, Rear Door
11									REINFORCEMENT, Fuel Filler Door
	55136 683AA	1							Outer
	55363 489AB	1							Inner
-12									SEAL, Fuel Filler Flange
	55033 288AB	1							Inner
	55136 843AA	2							Outer
13									SHIELD, Splash
	55136 500AD	1							Right
	55136 501AD	1							Left
14	3420 1631	4							RIVET, M6.25x28 Black
15	55135 511AB	1							HOUSING, Fuel Filler
-16	55135 513AB	1							SEAL, Fuel Filler Flange
17									WHEELHOUSE, Rear Inner
	55136 996AA	1							Right
	55136 997AA	1							Left
18	4674 669	2							PLATE, Striker

JEEP GRAND CHEROKEE (WJ)

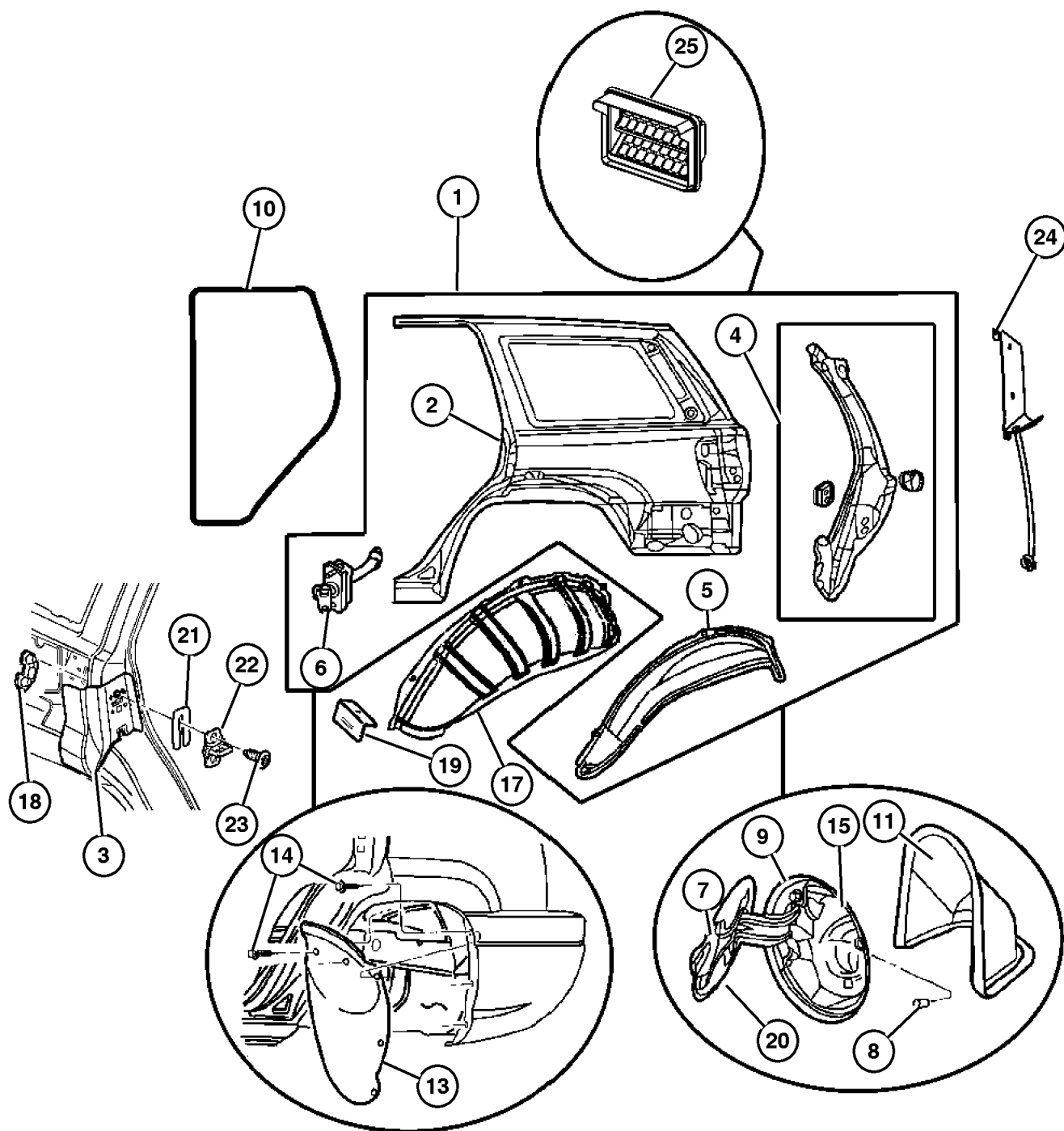
SERIES	LINE	BODY	ENGINE	TRANSMISSION
H = Laredo	J = 4WD	74 = 4 Door	ERH = 4.0L, Power Tech I-6	DGK = 4 Speed Auto, 42RE
M = Sport	T = 2WD		EVA = 4.7L Power Tech V8	DGQ = 5 Speed Auto, 45RFE
P = Limited			EVC = 4.7L HO V8 MPI	DG0 = All Automatic Trans
S = Overland			ER0 = All 4.0L 6 Cyl Gas	
			EVO = All 4.7L Gas	

AR = Use as required - = Non illustrated part # = New this model year

December 1, 2003

Panels, Rear Quarter
Figure SWJ-910

ITEM	PART NUMBER	QTY	LINE	SERIES	BODY	ENGINE	TRANS	TRIM	DESCRIPTION
19	55136 998AA	2							BRACKET, Wheel House, Trim Panel Attach
20	55295 856AC	2							LABEL, Fuel
21	4520 289	AR							SPACER, Door Latch Striker 3.75 Thick
	5507 5483	AR							2.0 to 2.5 Thick
22	4780 607AA	2							STRIKER, Door
23	6506 749AA	4							SCREW, 6 Lobed
24	55137 010AC	1							BAFFLE, D PILLAR, Right
25	55037 458AB	1							EXHAUSTER, Quarter Panel



JEEP GRAND CHEROKEE (WJ)

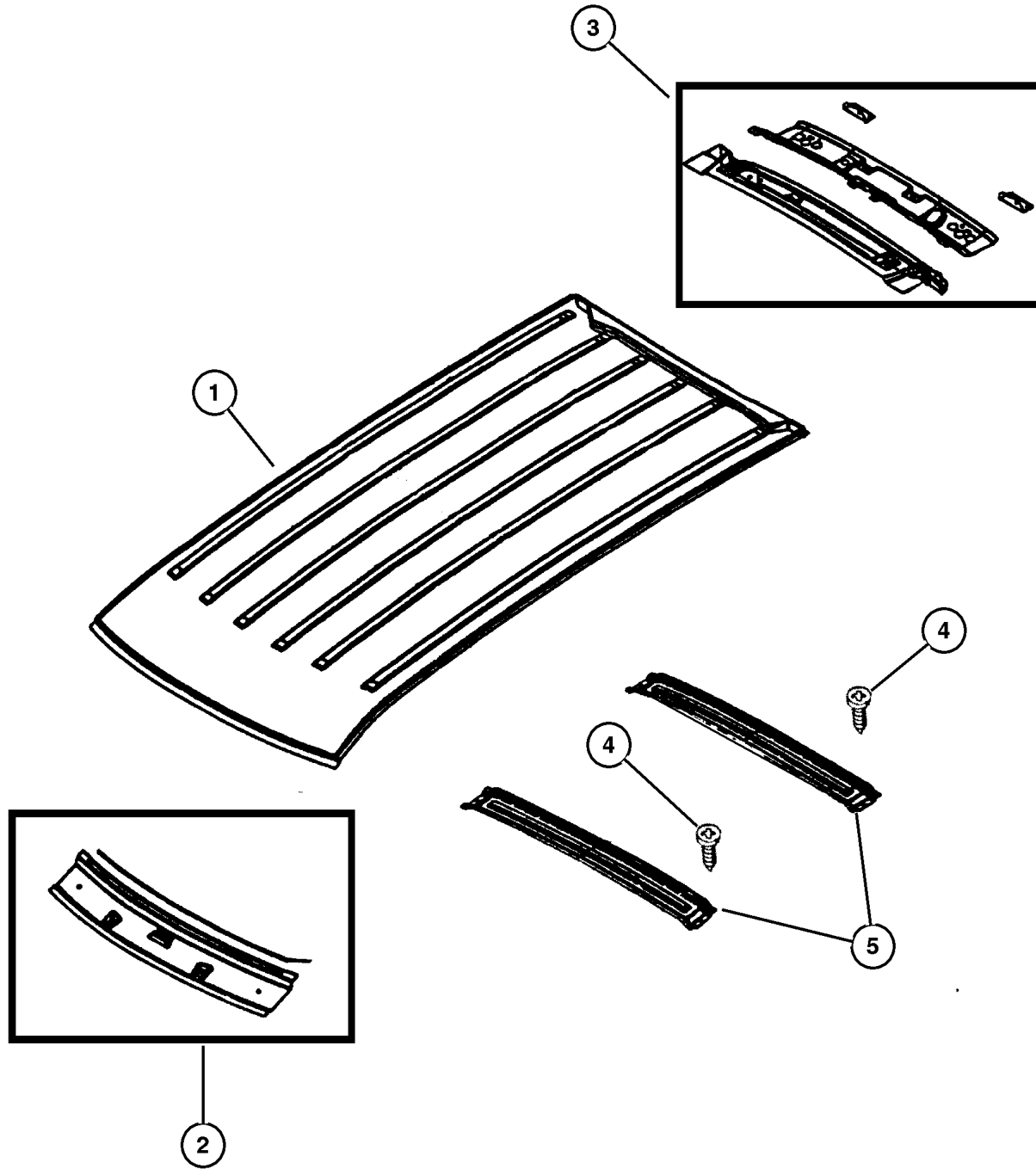
SERIES	LINE	BODY	ENGINE	TRANSMISSION
H = Laredo	J = 4WD	74 = 4 Door	ERH = 4.0L, Power Tech I-6	DGK = 4 Speed Auto, 42RE
M = Sport	T = 2WD		EVA = 4.7L Power Tech V8	DGQ = 5 Speed Auto, 45RFE
P = Limited			EVC = 4.7L HO V8 MPI	DG0 = All Automatic Trans
S = Overland			ER0 = All 4.0L 6 Cyl Gas	
			EVO = All 4.7l Gas	

AR = Use as required - = Non illustrated part # = New this model year

December 1, 2003

Panels, Roof
Figure SWJ-1110

ITEM	PART NUMBER	QTY	LINE	SERIES	BODY	ENGINE	TRANS	TRIM	DESCRIPTION
1									PANEL, Roof
	55135 404AC	1							Without Sunroof
	55135 461AC	1							With Sunroof
2	55135 545AB	1							HEADER, Roof Front
3	55135 523AG	1							HEADER, Panel, Rear
4									PIN, Headline
	6034 608	2							Front Header Attach
		2							Rear Header Attach
5	55135 424AE	2							BOW, Roof



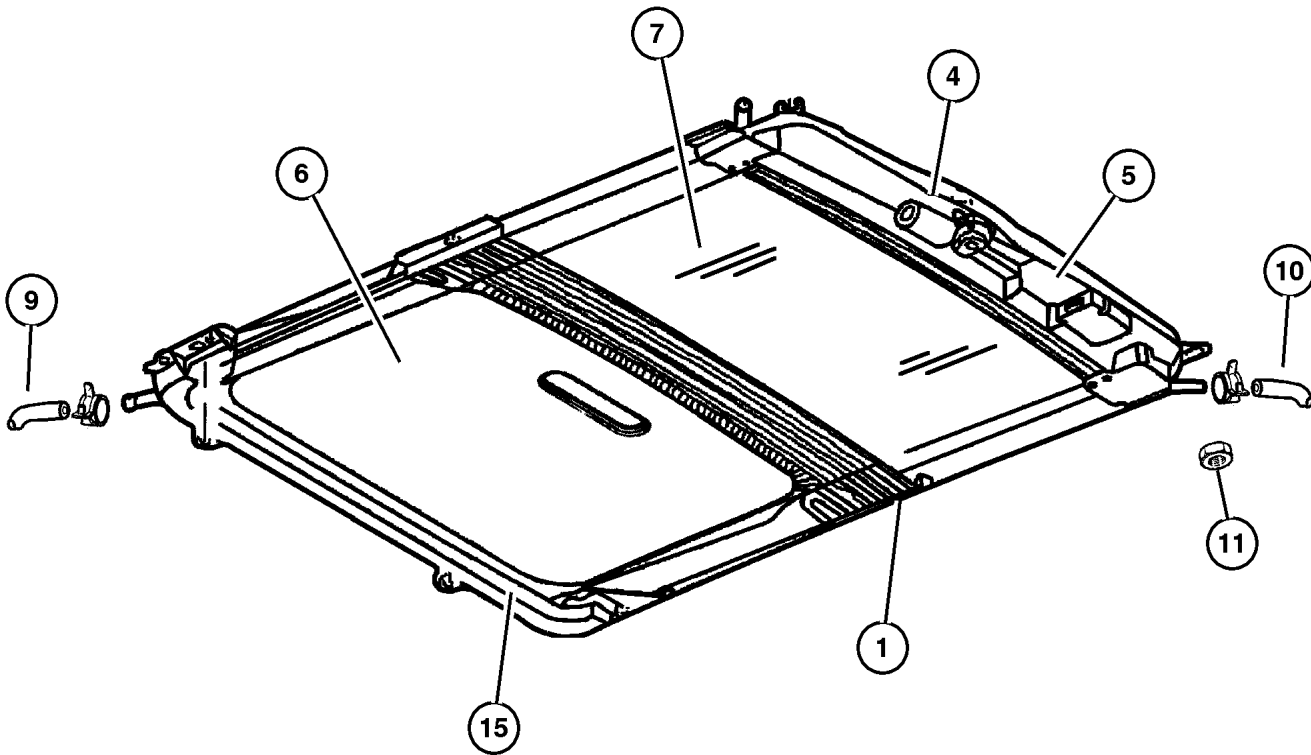
JEEP GRAND CHEROKEE (WJ)

SERIES	LINE	BODY	ENGINE	TRANSMISSION
H = Laredo	J = 4WD	74 = 4 Door	ERH = 4.0L, Power Tech I-6	DGK = 4 Speed Auto, 42RE
M = Sport	T = 2WD		EVA = 4.7L Power Tech V8	DGQ = 5 Speed Auto, 45RFE
P = Limited			EVC = 4.7L HO V8 MPI	DG0 = All Automatic Trans
S = Overland			ER0 = All 4.0L 6 Cyl Gas	
			EVO = All 4.7l Gas	

AR = Use as required - = Non illustrated part # = New this model year

December 1, 2003

**Sunroof
Figure SWJ-1210**



ITEM	PART NUMBER	QTY	LINE	SERIES	BODY	ENGINE	TRANS	TRIM	DESCRIPTION
1	5102 331AA	1							MODULE, Sunroof
-2	5012 765AA	1							DEFLECTOR, Sunroof Wind
-3	5012 769AA	1							CHANNEL, Sunroof Drain
4	5012 768AA	1							MOTOR, Sunroof
5	5012 771AB	1							CONTROL UNIT, Sunroof
6									SUNSHADE, Sunroof
	5EZ11 TL2AE	1							[DV, L5, T5]
	5EZ11 XDBAE	1							[DB]
7	55135 858AB	1							GLASS, Sunroof
-8	5012 773AA	1							GUIDE, Sunroof Lid
9									HOSE, Sunroof Drain
	55137 396AA	1							Front Right
	55137 397AA	1							Front Left
10	55137 274AA	2							HOSE, Sunroof Drain, Rear
11	6502 843	9							NUT AND WASHER, Hex Nut-Coned Washer, M6 x 1.00
-12	4814 215	1							GROMMET, Tube
-13	6502 843	9							NUT AND WASHER, Hex Nut-Coned Washer, M6 x 1.00, Sunroof to Roof Reinforcement Attach
-14	4805 378AB	2							CLIP, Tube
15									WELT, Sunroof Opening
	XF55 TL2AA	1							[DV, L5, T5]
	XF55 XDBAA	1							[DB]

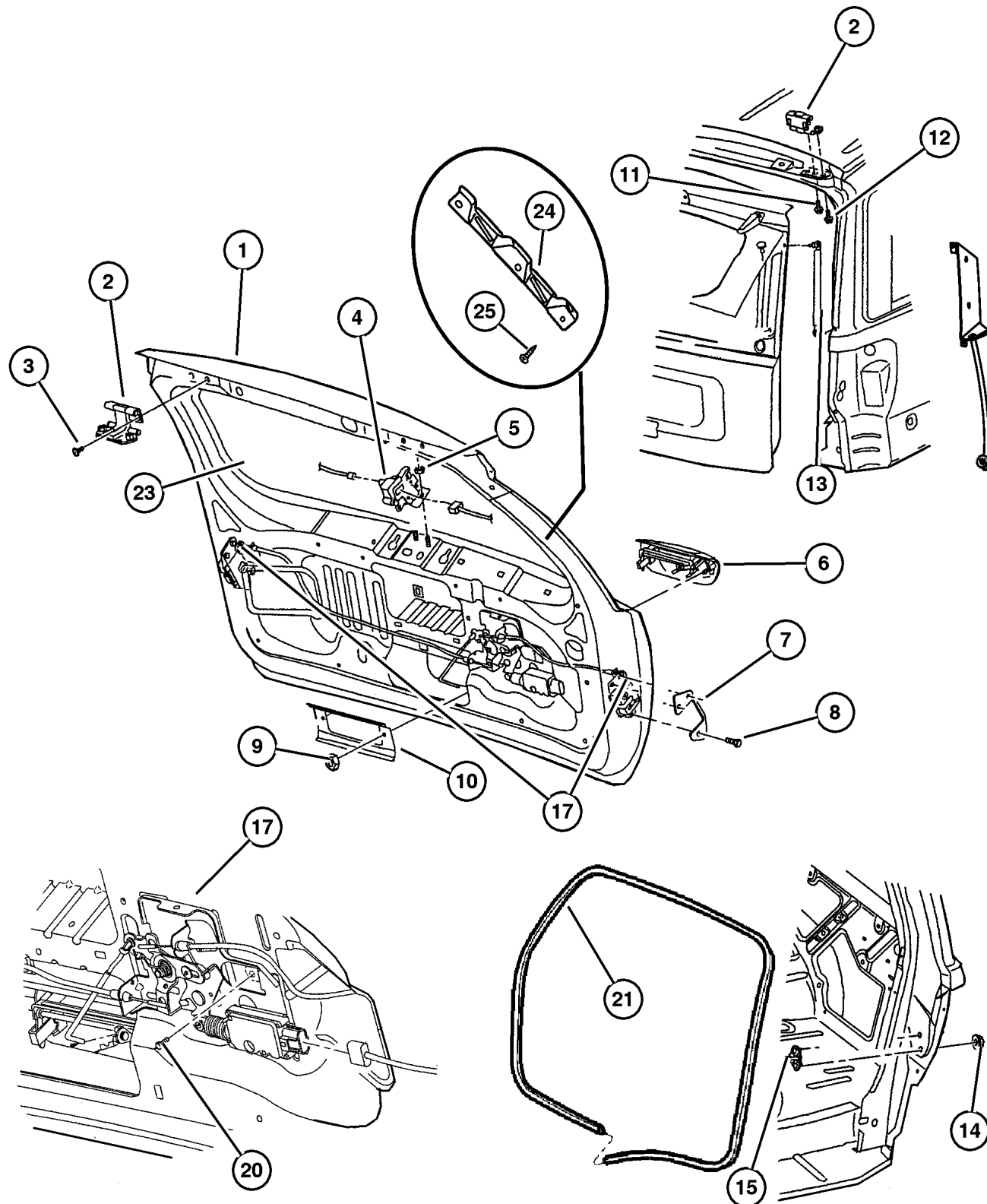
JEEP GRAND CHEROKEE (WJ)

SERIES	LINE	BODY	ENGINE	TRANSMISSION
H = Laredo	J = 4WD	74 = 4 Door	ERH = 4.0L, Power Tech I-6	DGK = 4 Speed Auto, 42RE
M = Sport	T = 2WD		EVA = 4.7L Power Tech V8	DGQ = 5 Speed Auto, 45RFE
P = Limited			EVC = 4.7L HO V8 MPI	DG0 = All Automatic Trans
S = Overland			ER0 = All 4.0L 6 Cyl Gas	
			EVO = All 4.7l Gas	

AR = Use as required - = Non illustrated part # = New this model year

December 1, 2003

Liftgate, Latch and Hinges Figure SWJ-1310



ITEM	PART NUMBER	QTY	LINE	SERIES	BODY	ENGINE	TRANS	TRIM	DESCRIPTION
1	55256 177AD	1							PANEL, Liftgate
2	55257 015AE	2							HINGE, Liftgate
3									SCREW AND WASHER, Hex Head, M8-1.25x30, (NOT SERVICED) (Not Serviced)
4	55136 740AB	1							LATCH, Liftgate Glass
5	6503 102	2							NUT AND WASHER, Hex Nut-Coned Washer, M6 x 1.00
6									HANDLE, Liftgate
	55136 699AC	1							Laredo
	5GD47 WSBAC	1							[PSB], Limited
	5GD47 XBQAC	1							[PBQ], Limited
	5GD47 WSBAC	1	J						[PSB], Overland
	5GD47 WELAC	1	J						[PEL], Overland
	5GD47 YJRAC	1	J						[PJR], Overland
	5GD47 ZDRAC	1	J						[PDR], Overland
	5GD47 BB8AC	1	J						[PB8], Overland
	5GD47 AXRAC	1	J						[PXR], Overland
	5GD47 ZMQAC	1							[PMQ], Limited
	5GD47 AXRAC	1							[PXR], Limited
	5GD47 ZDRAC	1							[PDR], Limited
	5GD47 BB8AC	1							[PB8], Limited
	5GD47 SW1AC	1							[PW1], Limited
	5GD47 YJRAC	1							[PJR], Limited
	5GD47 WELAC	1							[PEL], Limited
	5GD47 YFFAC	1							[PFF], Limited
7									PLATE, Liftgate Latch
	55136 910AB	1							Right
	55136 911AB	1							Left
8	6503 259	6							SCREW, Tapping, M6x1x20
9	6505 316AA	2							NUT
10	55136 696AB	1							BRACKET, Outside Door Handle
11	6506 802AA	2							SCREW AND WASHER, Hex Head
12	6506 458AA	4							SCREW AND WASHER, Hex Head, M8x1.25x25
13									SUPPORT, Liftgate Strut
	55137 022AB	1							Right
	55137 023AB	1							Left
14	6503 533	4							SCREW, Flange Head, M8x1.25x26
15									STRIKER, Liftgate
	55136 912AB	1							Right
	55136 913AB	1							Left

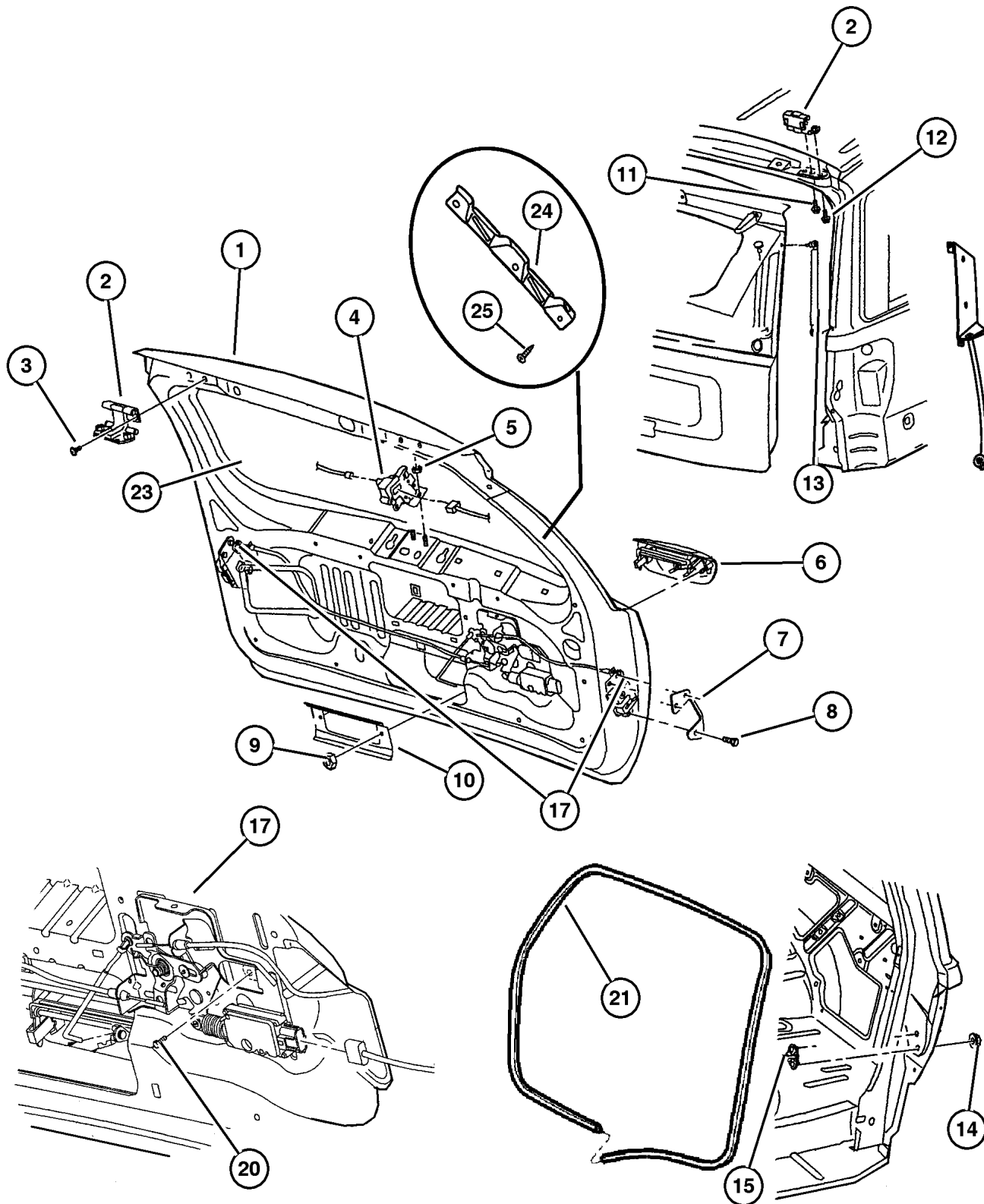
JEEP GRAND CHEROKEE (WJ)

SERIES	LINE	BODY	ENGINE	TRANSMISSION
H = Laredo	J = 4WD	74 = 4 Door	ERH = 4.0L, Power Tech I-6	DGK = 4 Speed Auto, 42RE
M = Sport	T = 2WD		EVA = 4.7L Power Tech V8	DGQ = 5 Speed Auto, 45RFE
P = Limited			EVC = 4.7L HO V8 MPI	DG0 = All Automatic Trans
S = Overland			ER0 = All 4.0L 6 Cyl Gas	
			EVO = All 4.7L Gas	

AR = Use as required - = Non illustrated part # = New this model year

December 1, 2003

Liftgate, Latch and Hinges Figure SWJ-1310



ITEM	PART NUMBER	QTY	LINE	SERIES	BODY	ENGINE	TRANS	TRIM	DESCRIPTION
-16									PLATE, Striker
	55137 005AA	AR							3.0mm
	55137 024AA	AR							1.5mm
17	55136 742AD	1							LATCH, Liftgate
-18	4860 301	1							TAPPING PLATE, Striker
-19	5018 479AB	1							ACTUATOR, Liftgate Lock
20									SCREW, M6x1.00x15.00, (NOT SERVICED) (Not Serviced)
21	55135 388AD	1							SEAL, Liftgate
-22	6505 435AA	4							NUT, Plastic, License Plate Ataching
23	55363 160AC	1							WEATHERSTRIP, Liftgate Glass
24									BRACKET, Liftgate
	55136 654AD	1							Right
	55136 655AC	1							Left
25	6032 723	6							SCREW, Self Tapping, M4.2x1.69x19.05

JEEP GRAND CHEROKEE (WJ)

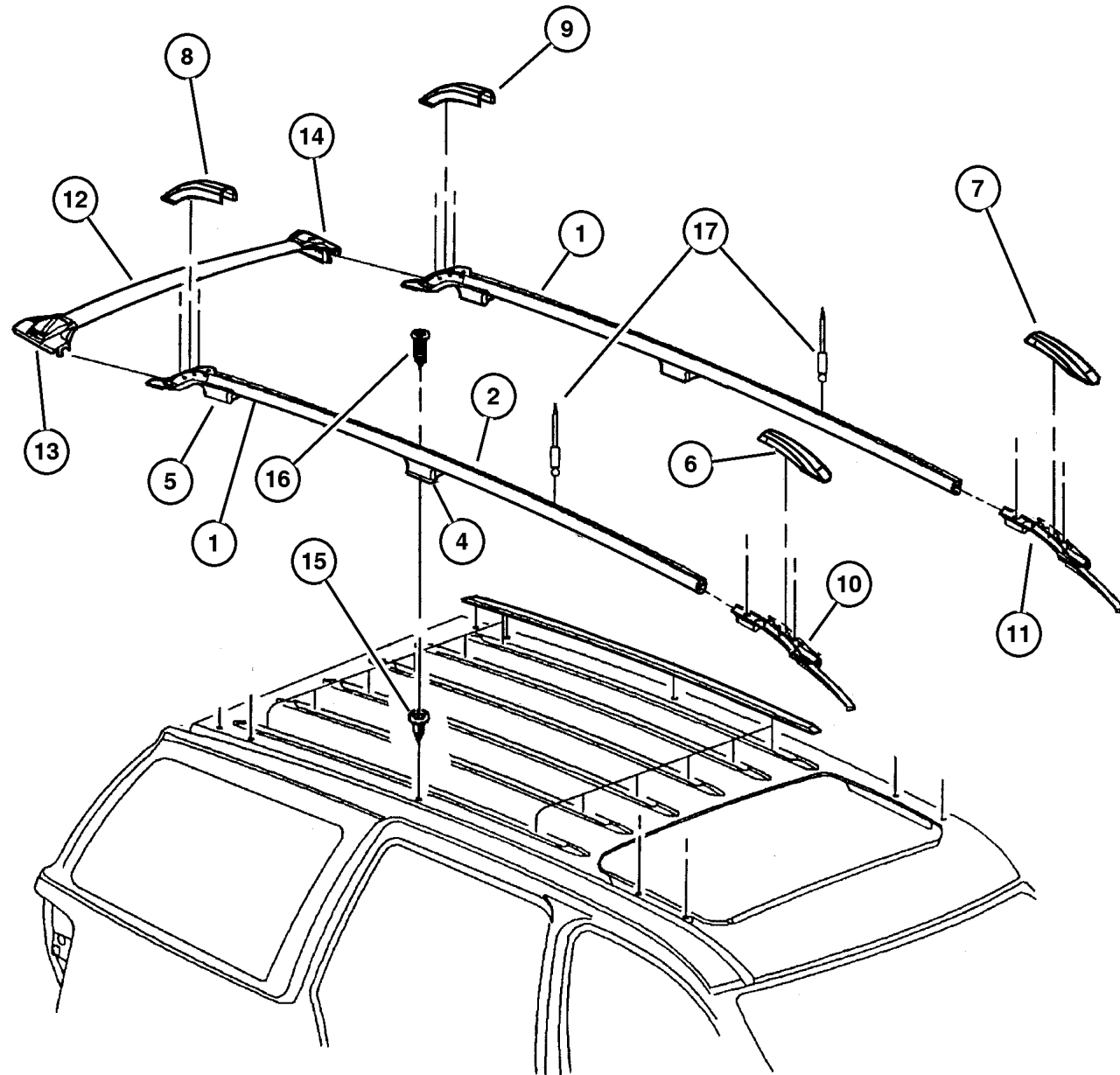
SERIES	LINE	BODY	ENGINE	TRANSMISSION
H = Laredo	J = 4WD	74 = 4 Door	ERH = 4.0L, Power Tech I-6	DGK = 4 Speed Auto, 42RE
M = Sport	T = 2WD		EVA = 4.7L Power Tech V8	DGQ = 5 Speed Auto, 45RFE
P = Limited			EVC = 4.7L HO V8 MPI	DG0 = All Automatic Trans
S = Overland			ER0 = All 4.0L 6 Cyl Gas	
			EVO = All 4.7L Gas	

AR = Use as required - = Non illustrated part # = New this model year

December 1, 2003

Roof Rack Figure SWJ-1610

ITEM	PART NUMBER	QTY	LINE	SERIES	BODY	ENGINE	TRANS	TRIM	DESCRIPTION
1									RAIL, Luggage Rack Side
	55136 848AC	1							Right
	55136 849AC	1							Left
	#5JW30 BS2AB	1							Silver, Freedom Edition, Right
	#5JW31 BS2AB	1							Silver, Freedom Edition, Left
2									SPACER
	55136 838AA	1							Right
	55136 839AA	1							Left
-3	55363 383AA	2							GASKET
4									SUPPORT, Luggage Rack
	55136 854AA	1							Right,Center
	55136 855AA	1							Left,Center
5									SUPPORT, Roof Rack
	55136 836AA	1							Right,Rear
	55136 837AA	1							Left,Rear
6	55135 970AB	1							CAP, Side Rail, Front,Right
7	55135 971AB	1							CAP, Side Rail, Front,Left
8	55136 576AA	1							CAP, Side Rail, Rear,Right
9	55136 577AA	1							CAP, Side Rail, Rear,Left
10	55136 952AC	1							SUPPORT, Roof Rack, Front,Right
11	55136 953AC	1							SUPPORT, Roof Rack, Front,Left
12									CROSS RAIL, Roof Rack
	5017 213AA	2							
	#5JW32 BS2AB	2							Silver, Freedom Edition
13	55136 850AB	2							STANCHION, LUGG RACK CROSS RAIL, Right
14	55136 851AB	2							STANCHION, LUGG RACK CROSS RAIL, Left
15	6506 104AA	10							NUT
16									SCREW, Pan Head, M6x1.00x45.00, (NOT SERVICED) (Not Serviced)
17									RIVET, [.125x.283], (NOT SERVICED) (Not Serviced)



JEEP GRAND CHEROKEE (WJ)

SERIES	LINE	BODY	ENGINE	TRANSMISSION
H = Laredo	J = 4WD	74 = 4 Door	ERH = 4.0L, Power Tech I-6	DGK = 4 Speed Auto, 42RE
M = Sport	T = 2WD		EVA = 4.7L Power Tech V8	DGQ = 5 Speed Auto, 45RFE
P = Limited			EVC = 4.7L HO V8 MPI	DG0 = All Automatic Trans
S = Overland			ER0 = All 4.0L 6 Cyl Gas	
			EVO = All 4.7l Gas	

AR = Use as required - = Non illustrated part # = New this model year

December 1, 2003

Group – LBLS

Labels All Vehicle Locations

GROUP LBLS - Labels All Vehicle Locations

Illustration Title

Group-Fig. No.

Interior

Instrument Panel and Visors Fig. LBLS-110

Under Hood

Engine Compartment Fig. LBLS-210

Doors

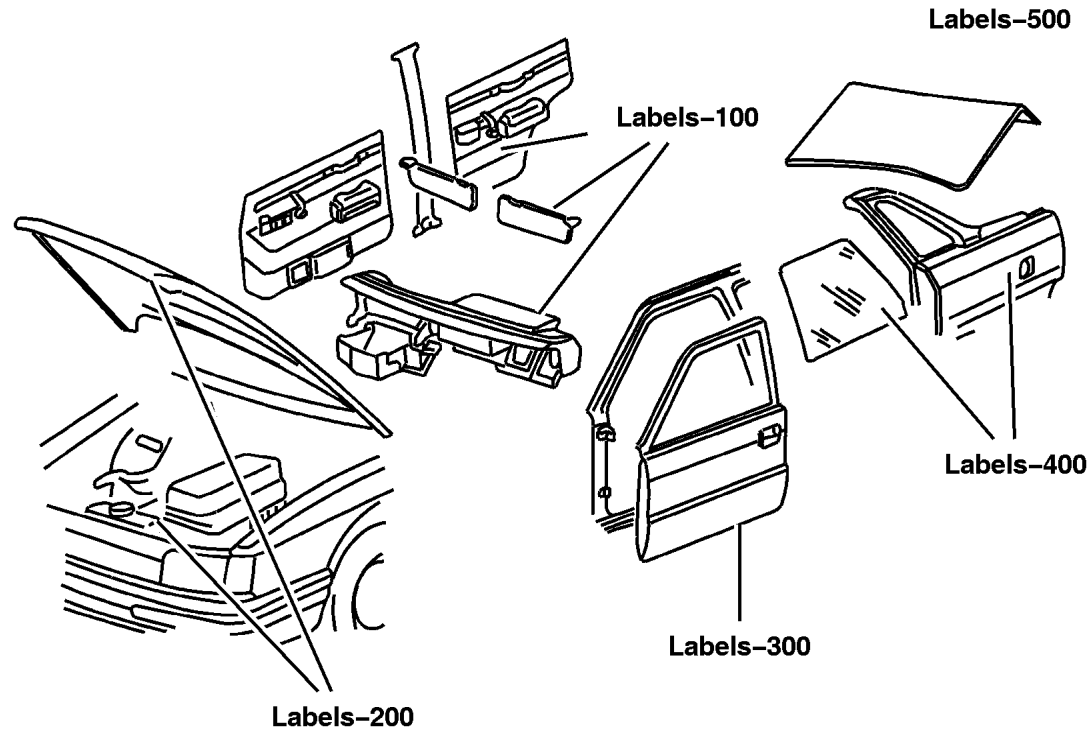
Doors and Pillars Fig. LBLS-310

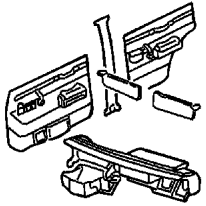


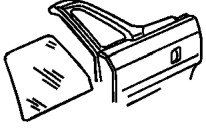

Exterior

Fuel Door Fig. LBLS-410

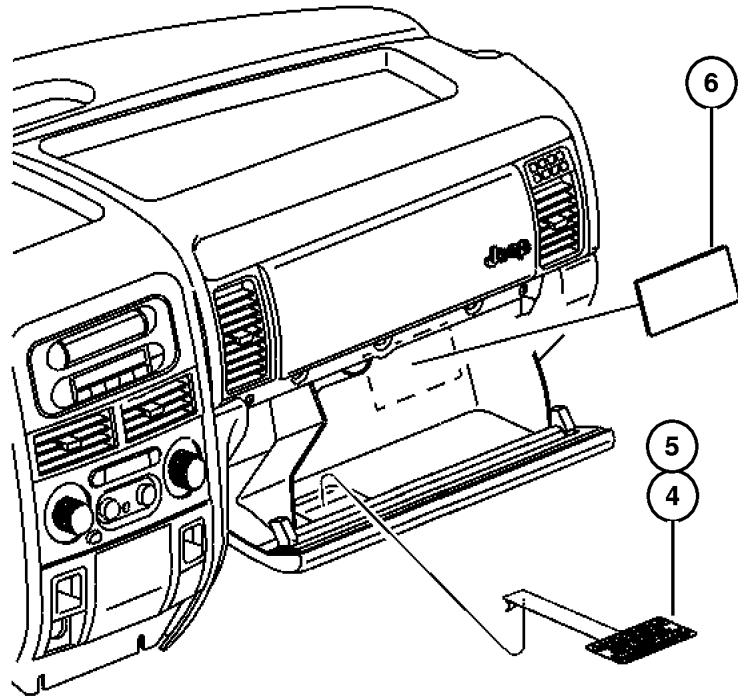
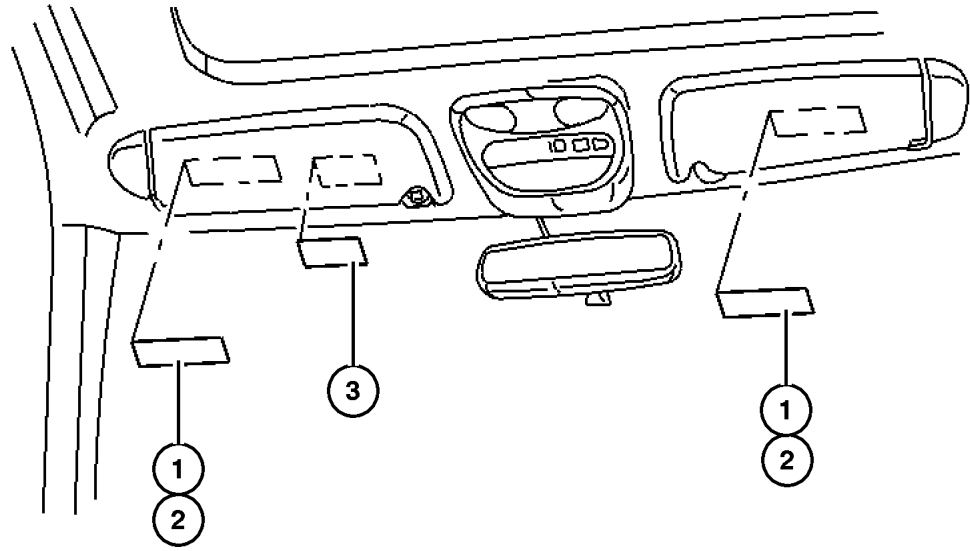
Rear Cargo & Storage

Rear Cargo and Storage Fig. LBLS-510



<p>LBLS-100 Interior</p> 	<p>LBLS-200 Under Hood</p> 	<p>LBLS-300 Doors</p> 	<p>LBLS-400 Exterior</p> 
<p>LBLS-500 Rear Cargo & Storage</p> 			

**Instrument Panel and Visors
Figure LBL5-110**



ITEM	PART NUMBER	QTY	LINE	SERIES	BODY	ENGINE	TRANS	TRIM	DESCRIPTION
1	4787 437AA	2							LABEL, Air Bag Warning, Visor, English-French
2									LABEL, Air Bag Warning, Spanish, Not Available at This Time, (NOT SERVICED) (Not Serviced)
3	55352 825AA	1							LABEL, Visor Warning, Rollover Risk, English-French
4	4595 748AA	1							LABEL, Air Bag Warning Glove Box
	4595 749AA	1							Glove Box, English-French
5									LABEL, Air Bag Warning, Spanish, Not Available at This Time, (NOT SERVICED) (Not Serviced)
6	#52080 351AA	1							LABEL, Tire Pressure

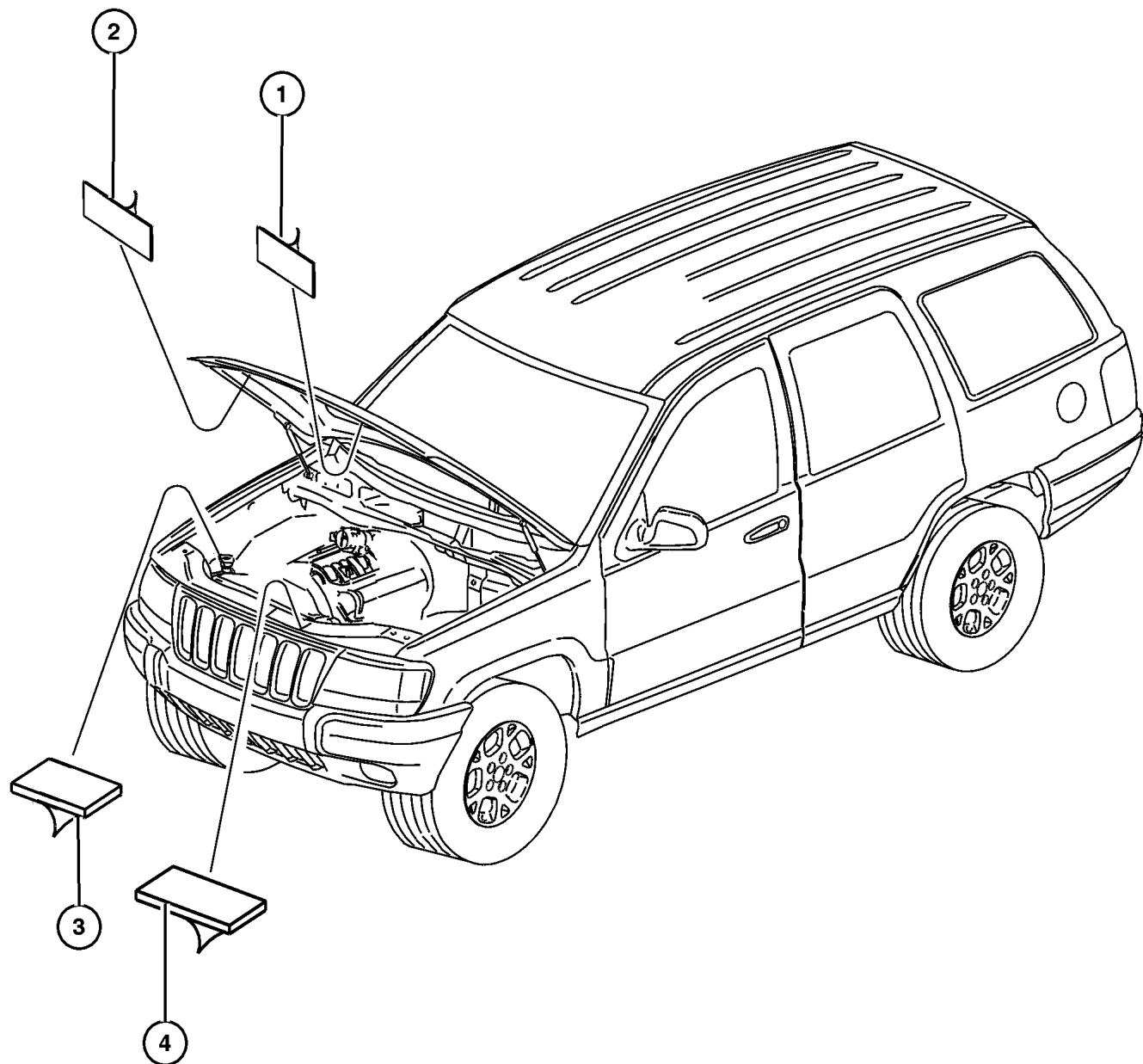
JEEP GRAND CHEROKEE (WJ)

SERIES	LINE	BODY	ENGINE	TRANSMISSION
H = Laredo	J = 4WD	74 = 4 Door	ERH = 4.0L, Power Tech I-6	DGK = 4 Speed Auto, 42RE
M = Sport	T = 2WD		EVA = 4.7L Power Tech V8	DGQ = 5 Speed Auto, 45RFE
P = Limited			EVC = 4.7L HO V8 MPI	DG0 = All Automatic Trans
S = Overland			ER0 = All 4.0L 6 Cyl Gas	
			EVO = All 4.7l Gas	

AR = Use as required - = Non illustrated part # = New this model year

December 1, 2003

**Engine Compartment
Figure LBL5-210**



ITEM	PART NUMBER	QTY	LINE	SERIES	BODY	ENGINE	TRANS	TRIM	DESCRIPTION
NOTES: Sales Codes									
[ER0] = 4.0L Engine									
[EV0] = 4.7L Engine									
[DG0] = All Automatic Transmissions									
1	55116 809AA	1							LABEL, Refrigerant
2	#52080 444AA	1				ER0			LABEL, Emission [ER0]
	#52080 445AA	1				EVA			[EVA]
	#52080 446AA	1				EVC			[EVC]
3	5303 0960	1				EV0			LABEL, Belt Routing [EV0]
	53031 700AB	1				ER0			[ER0] [DG0]
4									LABEL, Fan Caution, Not Available at This Time, (NOT SERVICED) (Not Serviced)

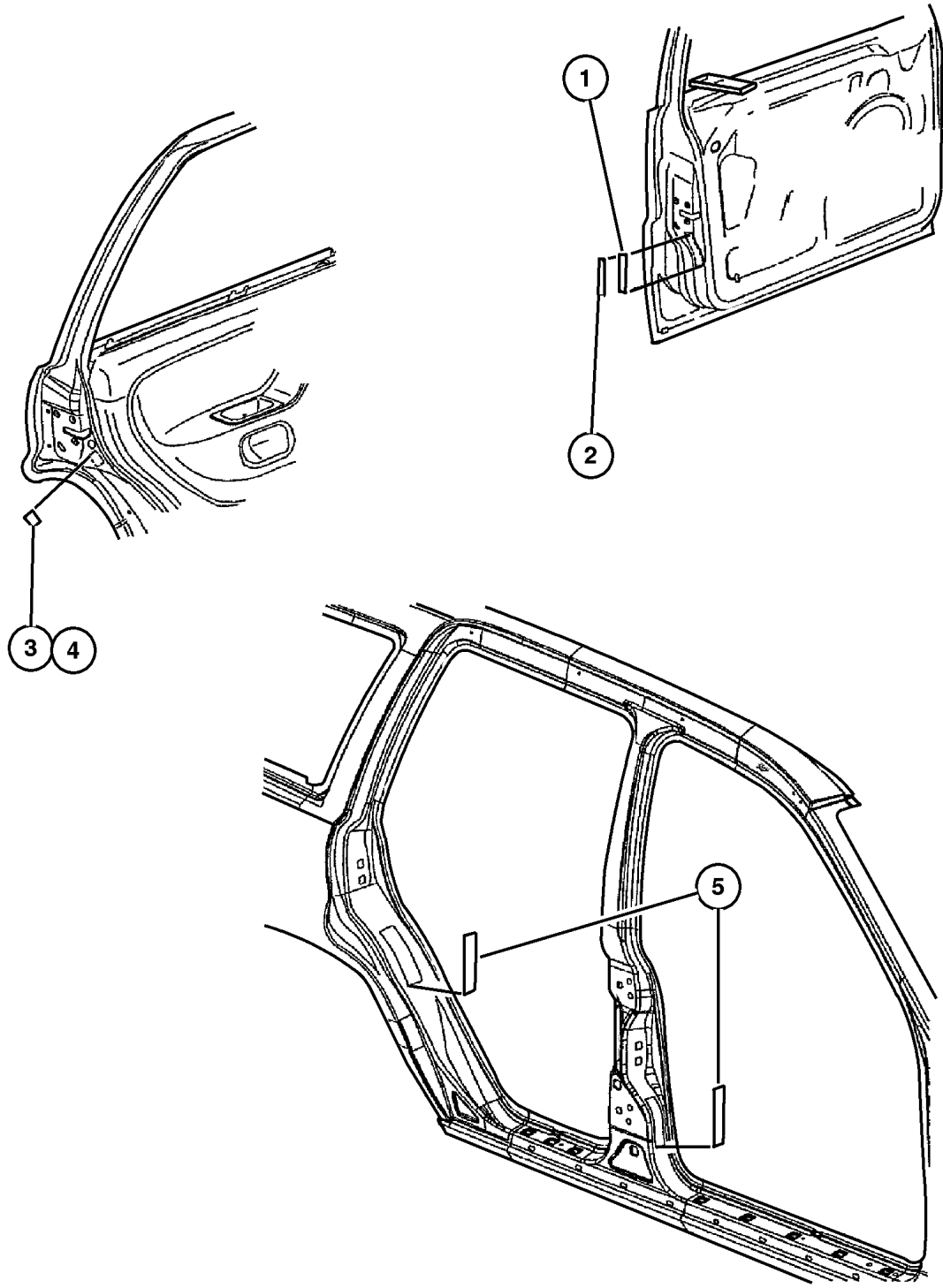
JEEP GRAND CHEROKEE (WJ)

SERIES	LINE	BODY	ENGINE	TRANSMISSION
H = Laredo	J = 4WD	74 = 4 Door	ERH = 4.0L, Power Tech I-6	DGK = 4 Speed Auto, 42RE
M = Sport	T = 2WD		EVA = 4.7L Power Tech V8	DGQ = 5 Speed Auto, 45RFE
P = Limited			EVC = 4.7L HO V8 MPI	DG0 = All Automatic Trans
S = Overland			ER0 = All 4.0L 6 Cyl Gas	
			EV0 = All 4.7L Gas	

AR = Use as required - = Non illustrated part # = New this model year

December 1, 2003

Doors and Pillars
Figure LBL5-310



ITEM	PART NUMBER	QTY	LINE	SERIES	BODY	ENGINE	TRANS	TRIM	DESCRIPTION
1									LABEL, Certification, (NOT SERVICED) (Not Serviced)
2	5300 7524	1							OVERLAY, Vehicle Certification Canada Mexico / USA
3	55136 932AA	1							LABEL, Child Protection Lock, English Right
	55136 933AA	1							Left
	4615 730	2							Canada
4									LABEL, Child Protection Lock, Not Available at This Time (Spanish), (NOT SERVICED) (Not Serviced)
5	#4664 279AD	4							LABEL, Air Bag Warning Canada
	#4664 280AD	4							USA / Export

JEEP GRAND CHEROKEE (WJ)

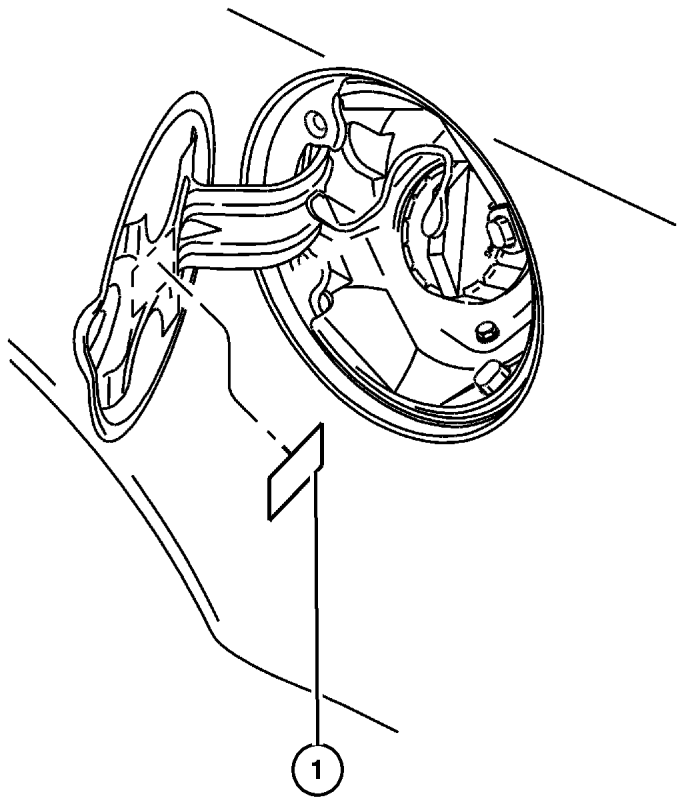
SERIES	LINE	BODY	ENGINE	TRANSMISSION
H = Laredo	J = 4WD	74 = 4 Door	ERH = 4.0L, Power Tech I-6	DGK = 4 Speed Auto, 42RE
M = Sport	T = 2WD		EVA = 4.7L Power Tech V8	DGQ = 5 Speed Auto, 45RFE
P = Limited			EVC = 4.7L HO V8 MPI	DG0 = All Automatic Trans
S = Overland			ER0 = All 4.0L 6 Cyl Gas	
			EVO = All 4.7l Gas	

AR = Use as required - = Non illustrated part # = New this model year

December 1, 2003

**Fuel Door
Figure LBL5-410**

ITEM	PART NUMBER	QTY	LINE	SERIES	BODY	ENGINE	TRANS	TRIM	DESCRIPTION
1	55295 856AC	2				EVC			LABEL, Fuel, English-French



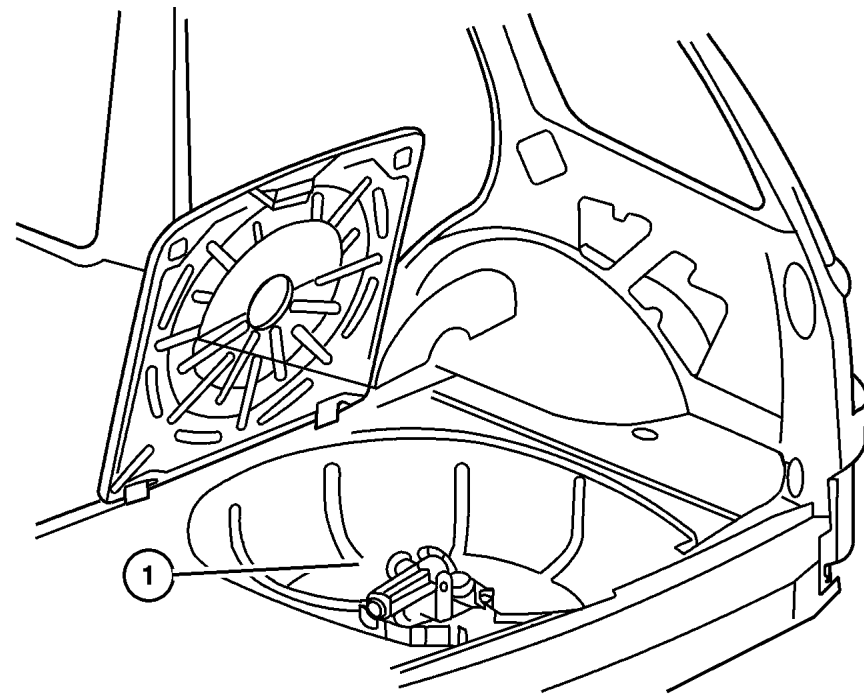
JEEP GRAND CHEROKEE (WJ)				
SERIES	LINE	BODY	ENGINE	TRANSMISSION
H = Laredo	J = 4WD	74 = 4 Door	ERH = 4.0L, Power Tech I-6	DGK = 4 Speed Auto, 42RE
M = Sport	T = 2WD		EVA = 4.7L Power Tech V8	DGQ = 5 Speed Auto, 45RFE
P = Limited			EVC = 4.7L HO V8 MPI	DG0 = All Automatic Trans
S = Overland			ER0 = All 4.0L 6 Cyl Gas	
			EVO = All 4.7l Gas	

AR = Use as required - = Non illustrated part # = New this model year

December 1, 2003

Rear Cargo and Storage
Figure LBL5-510

ITEM	PART NUMBER	QTY	LINE	SERIES	BODY	ENGINE	TRANS	TRIM	DESCRIPTION
1	52110 391AB	1							LABEL



JEEP GRAND CHEROKEE (WJ)

SERIES	LINE	BODY	ENGINE	TRANSMISSION
H = Laredo	J = 4WD	74 = 4 Door	ERH = 4.0L, Power Tech I-6	DGK = 4 Speed Auto, 42RE
M = Sport	T = 2WD		EVA = 4.7L Power Tech V8	DGQ = 5 Speed Auto, 45RFE
P = Limited			EVC = 4.7L HO V8 MPI	DG0 = All Automatic Trans
S = Overland			ER0 = All 4.0L 6 Cyl Gas	
			EVO = All 4.7l Gas	

AR = Use as required - = Non illustrated part # = New this model year

December 1, 2003